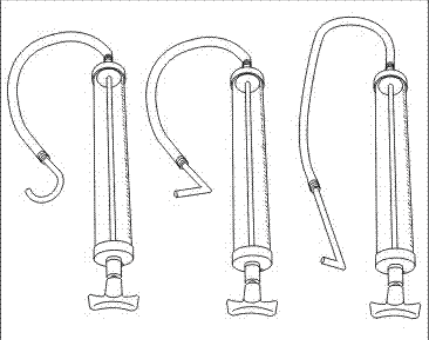


The present document was valid at the time of print. A later version may be available online

## WM 340155 Changing transmission oil

### Tools

Designation	Type	Number	Description	
manual metering pump	Workshop equipment	WE 1372	HDP 500 for Porsche transmission oil	

### Technical values

Location	Description		Basic value	Tolerance 1	Tolerance 2
Drain plug for manual transmission	M22 x 15 - replace sealing ring	Tightening torque	40 Nm (30 ftlb.)	+/-2 Nm (+/- 1.5 ftlb.)	
Filler plug for manual transmission	M22 x 15 - replace sealing ring	Tightening torque	40 Nm (30 ftlb.)	+/-2 Nm (+/- 1.5 ftlb.)	

## Information

### Information



#### Information

Only use oil approved by Porsche, see Spare Parts Catalogue.

## Preliminary work

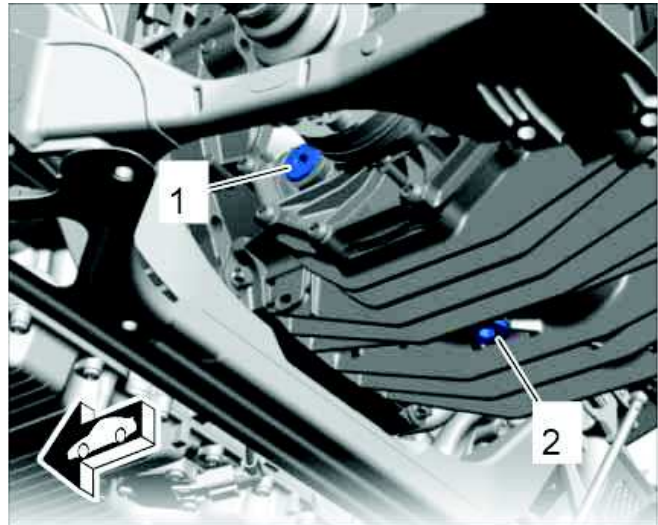
### Preliminary work

1. Raise the vehicle. → *4X00IN Lifting the vehicle*
2. Place oil collection pan under the transmission.

## Draining transmission oil

### Draining transmission oil

1. Unscrew oil filler screw -1- .



*Screw plugs on transmission*

**⚠ WARNING**

**Hot fluid**

- **Danger of scalding**

- Let the fluid cool down.
- Wear personal protective gear.

2. Unscrew oil drain plug **-2-** and drain transmission oil.

## Topping up transmission oil

### Topping up transmission oil

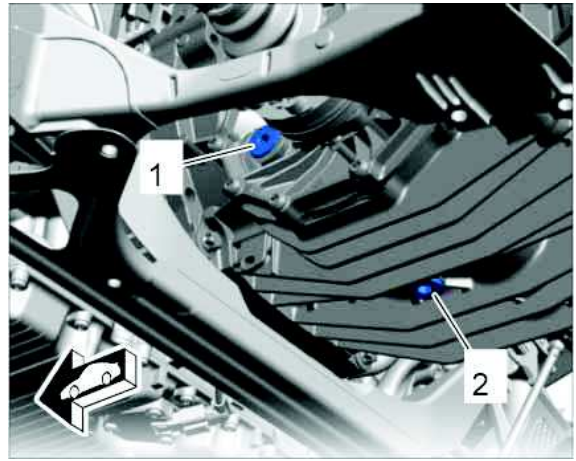
1. Top up transmission oil.

**Filling capacity of manual transmission with differential:**

Type 981: 3.0 litres

Type 981 S: 3.2 litres

- 1.1. Clean oil drain plug **-2-**, screw back in with a new sealing ring and tighten to [Tightening torque 40 Nm \(30 ftlb.\) +/-2 Nm \(+/-1.5 ftlb.\)](#) until secure.
- 1.2. Use **manual metering pump WE 1372** to fill in transmission oil up to the lower edge of the filler opening.
- 1.3. Clean oil filler screw **-2-**, screw back in with a new sealing ring and tighten to [Tightening torque 40 Nm \(30 ftlb.\) +/-2 Nm \(+/-1.5 ftlb.\)](#) until secure.



*Screw plugs on transmission*

## **Subsequent work**

### **Subsequent work**

1. Wipe off emerging oil on the transmission with a cloth or paper.
2. Lower the vehicle. → *4X00IN Lifting the vehicle*

---

981320, 981321, 981330, 981331, 981120, 981121, 981130, 981131

Model year as of 2012  
C00