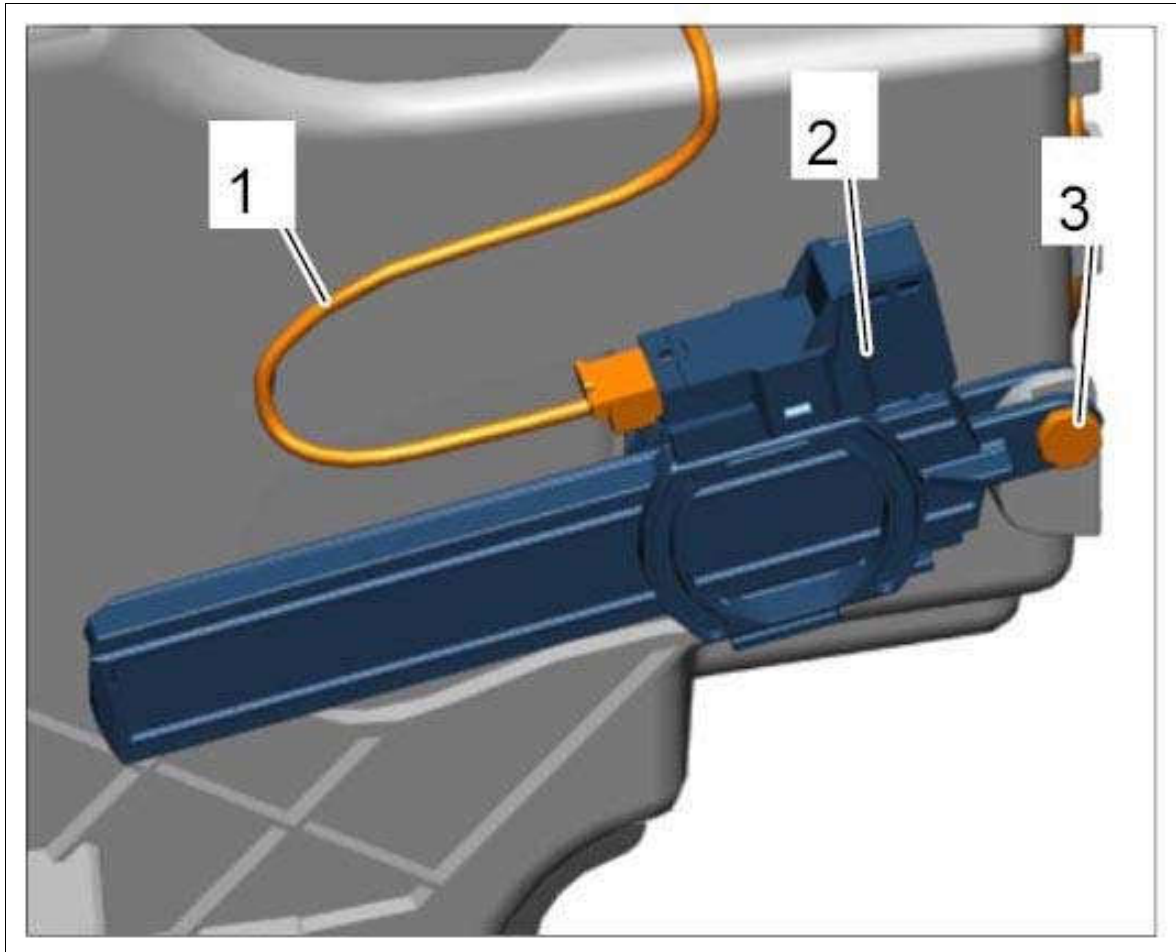


Fig 2: Securing Electric Plug Connection



Courtesy of PORSCHE CARS NORTH AMERICA, INC.

WM 960719 REMOVING AND INSTALLING CONTACT SWITCH FOR GLOVE BOX LIGHT (ALL MODELS) > SUBSEQUENT WORK

Install glove compartment. → 681519 REMOVING AND INSTALLING GLOVE COMPARTMENT - section on "Installing"

WM 961519 REMOVING AND INSTALLING FOOTWELL LIGHT (ALL MODELS) > REMOVING FOOTWELL LIGHT