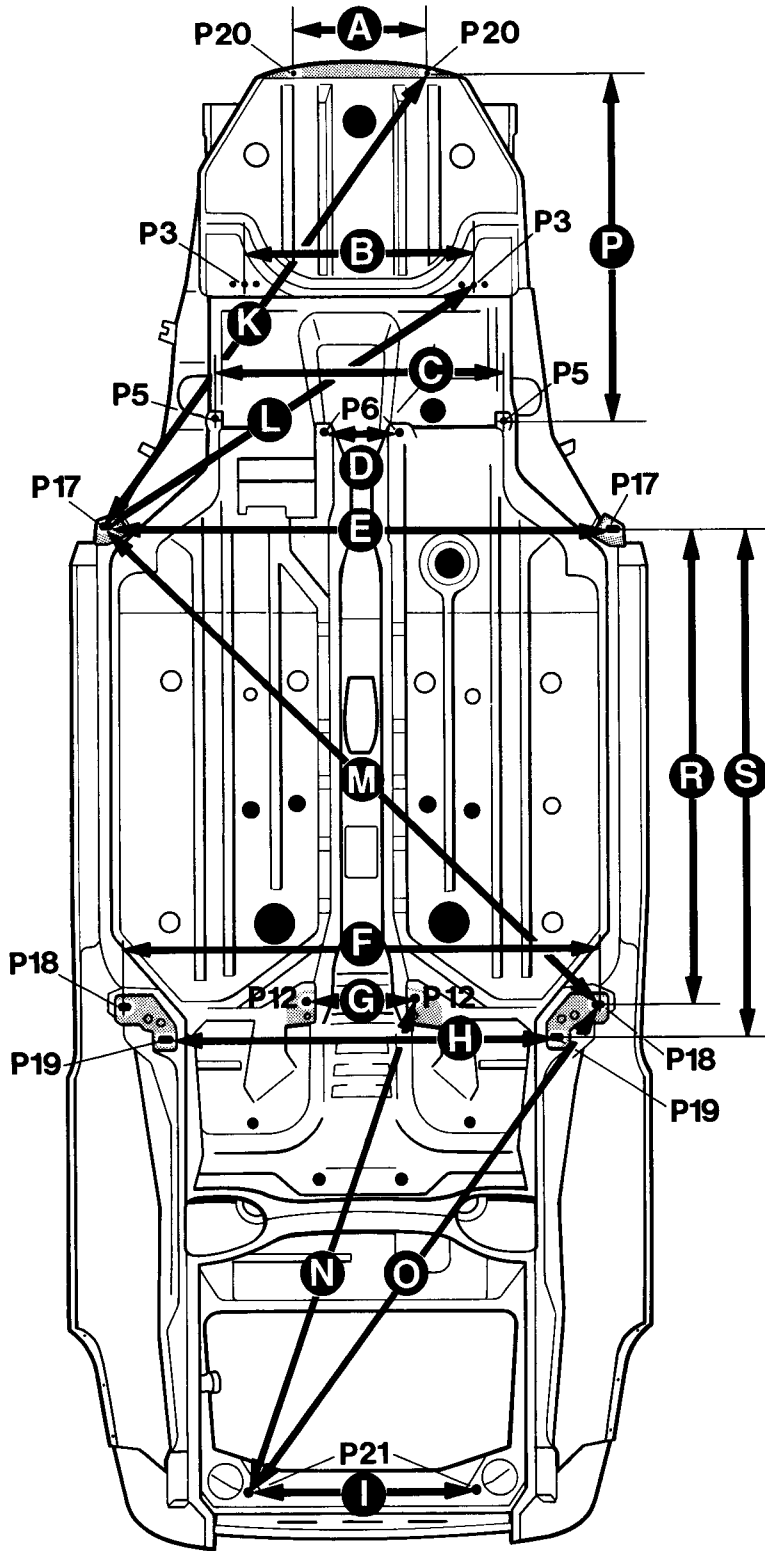


Dimensions for underbody



Dimensions for floor assembly

Dim.	Designation	mm
A	Point 20 Take up hole - front cover plate	440 ± 2
B	Point 3 Take up hole - side member, front axle	610 ± 1
C	Point 5 Take up hole - outer cross member, front axle	770 ± 2
D	Point 6 Take up hole - inner cross member, front axle	204 ± 2
E	Point 17 Take up hole - platform, jack front	1330 ± 1
F	Point 18 Take up hole - jack - rear	1236 ± 1
G	Point 12 Take up hole - transmission carrier	278 ± 1
H	Point 19 Take up hole - platform - rear	1018 ± 1
I	Point 21 Take up hole - engine mount inner	640 ± 1
K	Point 20 - Point 17	(1500 ± 3)
L	Point 3 - Point 17	1174 (1170)
M	Point 17 - Point 18	1788 ± 3
N	Point 12 - Point 21	1492 ± 3 (1482 ± 3)
O	Point 18 - Point 21	1696 ± 3 (1653 ± 3)
P	Point 20 - Point 5	914.5 (913)
R	Point 17 - Point 18	1245 ± 2
S	Point 17 - Point 19	1328 ± 2

All dimensions are measured from or to center of hole

Note

The dimensions are measured directly and are therefore oblique dimensions.
The dimensions in brackets are measured vertically.

Attention

The deviation between left and right must not exceed the prescribed tolerances for longitudinal dimensions.