

Technical Bulletin

Model
911C2/4

Group
4

Subject: Front Wheel Carrier/
Wheel Bearing Securing

Part Identifier
4057

Number
9003

ATTENTION: Service Manager/Service Technician

Models Affected: *911 Carrera 2 and 911 Carrera 4*

Concern: Securing of front wheel bearing in the wheel carrier changed from lock ring (Figure 1) to bolted locking plate (Figure 2).

From production date: September 1989

VIN WPO AB2 96 2LS 450114 — Coupe

WPO BB2 96 9LS 460062 — Targa

WPO CB2 96 0LS 470080 — Cabriolet

Repair Instructions:

The new version wheel carrier with bolted locking plate can be installed in cars prior to the above VIN (Old version is no longer available). New version wheel carrier may be paired with old version on one vehicle.

When replacing a wheel carrier, the wheel bearing, strut mounting bolts, nuts and washers must be replaced also. (2, 5, 6 and 7 in Figures 1 and 2). Sealing ring (10 in Figure 1) **must not** be installed with new version wheel carrier.

Lubricate threads of mounting bolts for locking plate (19 in Figure 2) with Optimoly HT, PN 000 043 004 00.

Tightening torque: 37 Nm (27 ft. lbs.).

Wheel carrier/spring strut mounting. Washer and nut (6 and 7 in Figure 2) must be clean and free of grease. Lubricate bolt threads approximately 10 mm and bolt head bearing surface (5 in Figures 1 and 2) with Optimoly HT.

Tightening torque: 135 Nm (100 ft. lbs.).

Check and adjust front wheel camber and toe after installing wheel carrier.

PORSCHE CARS NORTH AMERICA INC.



Technical Bulletin

Model
911 C2/4

Group
4

Subject: Front Wheel Carrier/
Wheel Bearing Securing

Part Identifier
4057

Number
9003

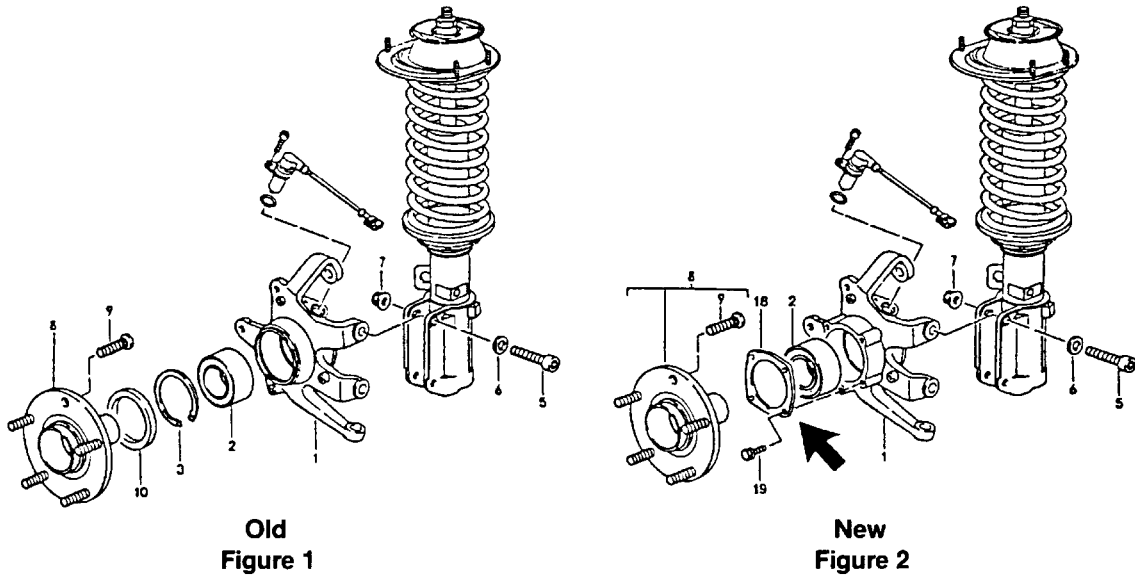
Parts Information:

Qty.	Part Number	Description
1	964 341 655 19	Wheel carrier, left
1	964 341 656 19	Wheel carrier, right
1	964 341 661 01	Locking plate
4	999 217 088 02	Bolt

Additional parts required when replacing wheel carrier:

1	999 053 041 00	Wheel bearing
2	900 067 310 09	Bolt
2	999 084 623 09	Nut
2	999 025 212 09	Washer

Quantities listed are for one side.



©1990 PORSCHE CARS NORTH AMERICA, INC.

Dealership	Service manager	Shop foreman	Service technician	_____	_____	_____	_____
Distribution	Asst. manager	Warranty admin.	Service technician	_____	_____	_____	_____
Routing							

©1990 Porsche Cars
North America, Inc.
All Rights Reserved
Porsche Service
Publications



SERVICE

Page 2 of 2
February 15, 1990