

Technical Bulletin

Model
6 Cyl.

Group
4

Subject:
Revised Front Wheel Hubs
and Tension Ring

Part Identifier
4057

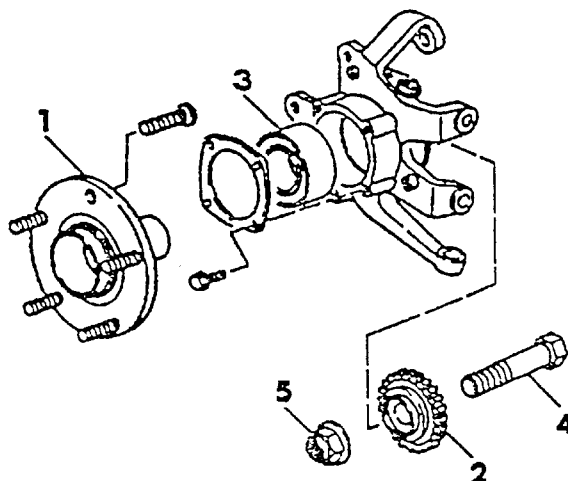
Number
9405

ATTENTION: Service Manager / Service Technician

Models Affected: *911 Carrera 1995*

Concern: Effective immediately, revised wheel hubs (same as Carrera 4) and tension rings are being installed in production.

As of March 1, 1994 VIN:
997 SS 320633 Coupe
994 SS 340296 Cabriolet



Part Identifier:	Figure	Description	Current Part Number	Previous Part Number
	1	Wheel hub	964 341 065 03*	964 341 065 12
	1	Wheel hub	964 341 065 04	
	2	Tension ring	993 341 155 01	993 341 155 00
	3	Bearing	999 053 041 02	999 053 041 02
	4	Bolt	900 082 123 09	900 082 123 09
	5	Self-locking nut	999 090 008 09	999 090 008 09

*The wheel hub 964 341 065 03 (same as Carrera 4) was installed only on the first few cars. As of March 7, 1994, a revised wheel hub with the part number 964 341 065 04 was installed in production.

