



GASKET INDEX

Oil Inlet Page no. | Oil Outlet Page no. | T/inlet Page no. | T/Outlet Page no. | Miscellaneous Page no.

GARRETT

T3/T4	4	T3/T4	22	T2/T25	24	T4	33-35	T3 Brg.hsg/C.hsg.	40
T12	6 & 8	TEO6	15	T3/T4	25,28,29				
TO6	5			TV80	26				
				T18	27				
				TP38	30				
				TV81	31				

HOLSET

3LD	6 & 8	H1C/D/E,H2A	22	4L	26			H2C Comp.Hsg	41
		WH1C/E,HX40W	22	H2D	26			H2B/C Oil inlet/outlet	8
		4LE/HT3B	22						
		3LD	21						

MITSUBISHI

		TDO2/TD025	14					TDO2 Comp.Hsg.	39
		TCO4/TDO4	12					TDO7S oil inlet/outlet	9
		TDO7S							

IHI

RHB7/RHC	3	RHB5	17						
		RHB6/RHC6	16						
		RHB7/RHC7	18						

TOYOTA

CT20/CT26	11							CT20/26 Air Inlet	36
								CT20/26 Water Inlet	37

BORG-WARNER - KKK

3LD	10	K26/K27	19						
K26/K27	13	4LE	23						
		3LD	21						

BORG-WARNER - SCHWITZER

S2A	7	S3B	20	S2A	32			3LM Brg.hsg	38
3LD	10	S1A, S1B	22	S100	32				
S3A	10	S2A, S100	22						
		4LE	23						
		3LD	21						



GASKET KITS

TI Kit no.	Turbo Model	Oil Inlet	Oil Outlet	Turbine Inlet	Turbine Outlet	Oil Inlet /Outlet	Miscellaneous
---------------	----------------	--------------	---------------	------------------	-------------------	----------------------	---------------

GARRETT

7-A-0356	TO4B	✓	✓	✓	-	-	-
7-A-1278	T3	✓	✓	✓	✓	-	-
7-A-0930	T3, T4	✓	✓	✓	-	-	-
7-A-1381	TV61/77	✓	✓	✓	-	-	-
7-A-1430	TO4B	✓	✓	✓	-	-	-
7-A-2230	TP38	O ring	O ring	✓	-	-	-
7-A-2233	TP38	✓	✓	✓	-	-	-
7-A-2922	TEO6	✓	✓	✓	-	-	-

HOLSET

7-A-2925	H2C	✓	✓ x 2	✓	-	✓	-
7-B-2235	H2B/C	✓	✓ x 2	✓	-	✓	-
	HX50						
7-B-2379	3LD	✓	✓	✓	-	-	-
7-B-2924	H2A	✓	✓ x 2	✓	-	✓	O ring x1
7-B-2926	4LE	✓	✓ x 2	✓	-	✓	O ring x1
7-B-2927	H1C	✓	✓	-	-	✓	-
7-B-2928	H2C	✓	✓ x 2	-	-	-	-
7-B-2929	H1A	✓	✓ x 3	✓	-	✓	-
7-B-2930	H2C	✓	✓ x 3	✓	-	✓	-

BORG WARNER - SCHWITZER

7-C-3197	S4T	✓ x 2	✓ x 4	✓	-	✓	-
7-C-3198	S300	✓	✓ x 3	✓	-	-	-
7-C-3199	S2B	✓	✓ x 3	✓	-	-	-
7-C-3200	S1A,S1B,	✓ x 2	✓ x 2	✓ x 2	-	-	-
	S2A,S100						

TOYOTA

7-G-0989	CT20/26	1 each air outlet & oil inlet /outlet, 2 x water jacket					
----------	---------	---	--	--	--	--	--

GASKET



LOCATION: OIL INLET

MATERIAL: FIBER

SCALE: 1:1

TI Part No. 8-F-1769

APPLICATIONS:

GARRETT

HOLSET

MITSUBISHI

IHI

TOYOTA

RHB7, RHC7

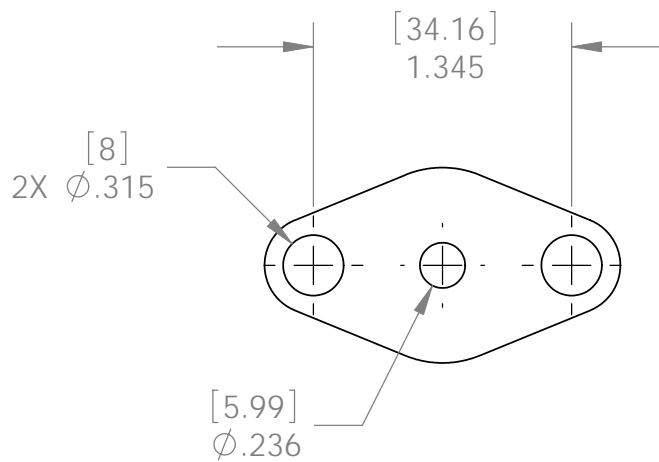
BORG WARNER - KKK

BORG WARNER - SCHWITZER

ROTOMASTER/CUMMINS

HITACHI

KOMATSU



GASKET



LOCATION: OIL INLET

MATERIAL: FIBER

SCALE: 1:1

TI Part No. 8-A-0062

APPLICATIONS:

GARRETT T04B

HOLSET

MITSUBISHI

IHI

TOYOTA

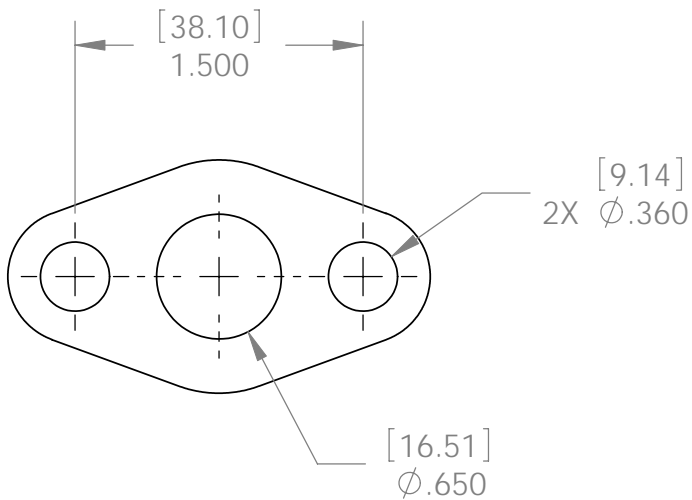
BORG WARNER - KKK

BORG WARNER - SCHWITZER

ROTOMASTER/CUMMINS

HITACHI

KOMATSU



GASKET



LOCATION: OIL INLET

MATERIAL: FIBER

SCALE: 1:1

TI Part No. 8-A-0751

APPLICATIONS:

GARRETT T06

HOLSET

MITSUBISHI

IHI

TOYOTA

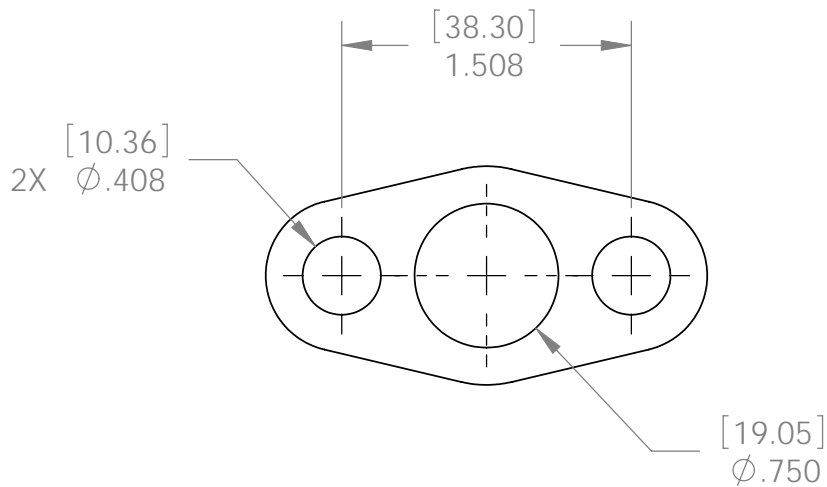
BORG WARNER - KKK

BORG WARNER - SCHWITZER

ROTOMASTER/CUMMINS

HITACHI

KOMATSU



GASKET



LOCATION: OIL INLET

MATERIAL: FIBER

SCALE: 1:1

TI Part No. 8-A-0696

APPLICATIONS:

GARRETT T12

BORG WARNER - KKK

HOLSET 3LD

BORG WARNER - SCHWITZER

MITSUBISHI

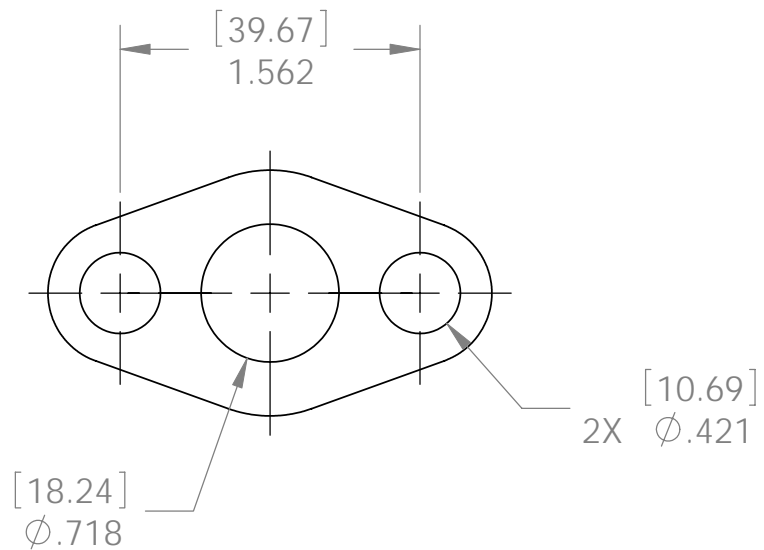
ROTOMASTER/CUMMINS

IHI

HITACHI

TOYOTA

KOMATSU



GASKET



LOCATION: OIL INLET

MATERIAL: FIBER

SCALE: 1:1

TI Part No. 8-C-1350

APPLICATIONS:

GARRETT

HOLSET

MITSUBISHI

IHI

TOYOTA

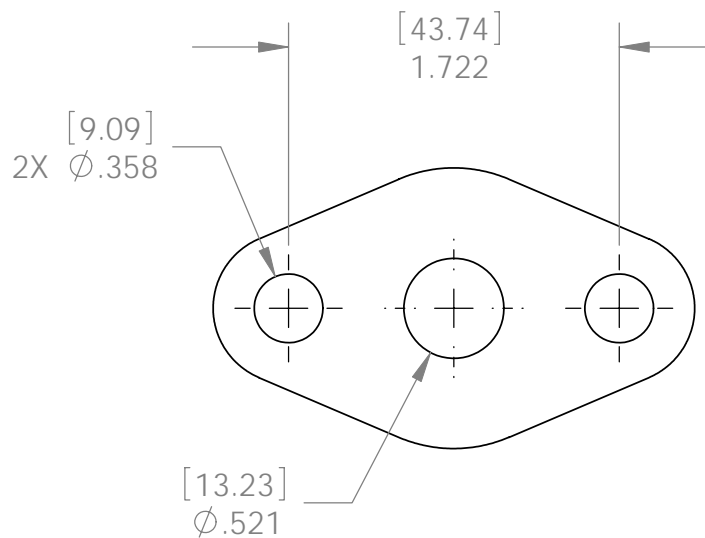
BORG WARNER - KKK

BORG WARNER - SCHWITZER S2A

ROTOMASTER/CUMMINS

HITACHI

KOMATSU



GASKET



LOCATION: OIL INLET/OUTLET

MATERIAL: FIBER

SCALE: 1:1

TI Part No. 8-B-3506

APPLICATIONS:

GARRETT H2B, H2C

HOLSET

MITSUBISHI

IHI

TOYOTA

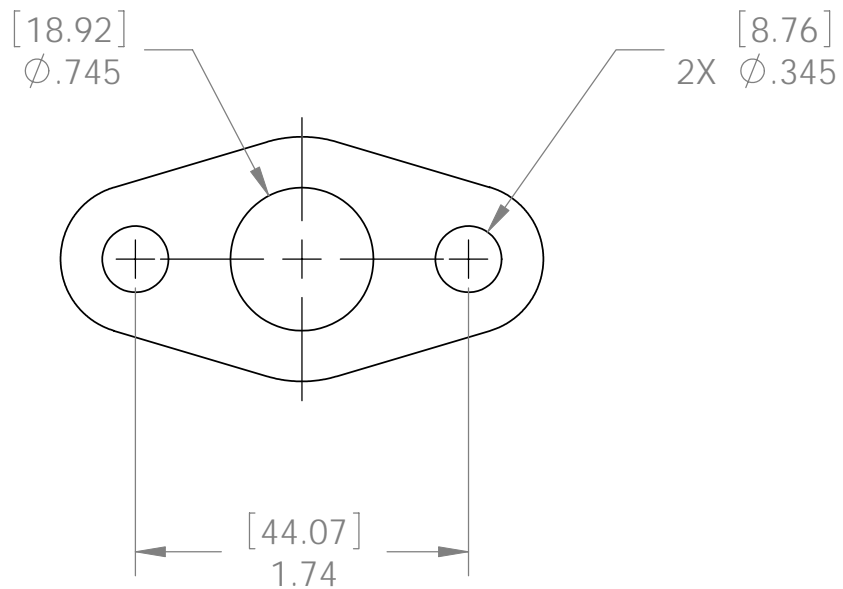
BORG WARNER - KKK

BORG WARNER - SCHWITZER

ROTOMASTER/CUMMINS

HITACHI

KOMATSU



GASKET



LOCATION: OIL INLET/OUTLET

MATERIAL: FIBER

SCALE: 1:1

TI Part No. 8-E-2834

APPLICATIONS:

GARRETT

HOLSET

MITSUBISHI TD07S

IHI

TOYOTA

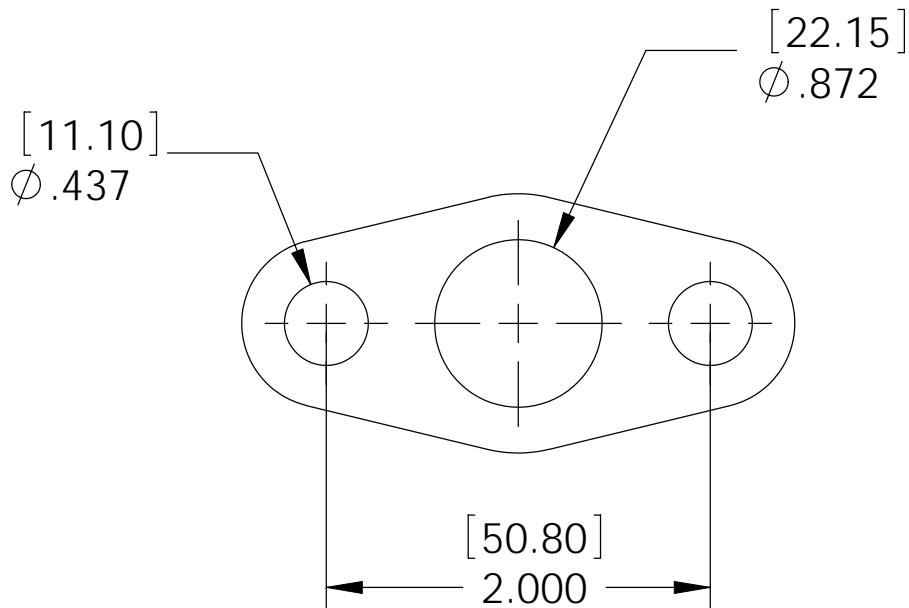
BORG WARNER - KKK

BORG WARNER - SCHWITZER

ROTOMASTER/CUMMINS

HITACHI

KOMATSU



GASKET



LOCATION: OIL INLET

MATERIAL: FIBER

SCALE: 1:1

TI Part No. 8-A-0697

APPLICATIONS:

GARRETT T12

BORG WARNER - KKK

3LD

HOLSET 3LD

BORG WARNER - SCHWITZER

3LD, 3LKS

MITSUBISHI

ROTOMASTER/CUMMINS

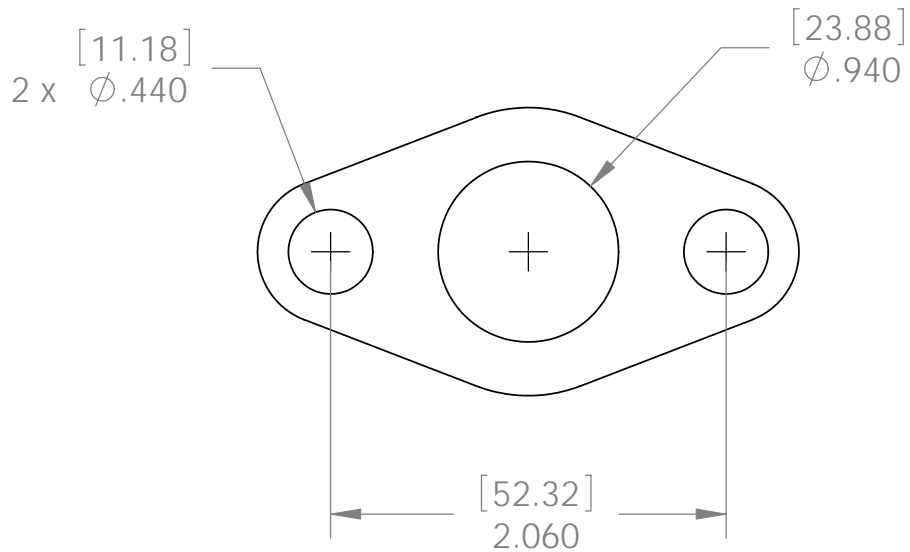
S3A

IHI

HITACHI

TOYOTA

KOMATSU



GASKET



LOCATION: OIL INLET

MATERIAL: FIBER

SCALE: 1:1

TI Part No. 8-G-0743

APPLICATIONS:

GARRETT

BORG WARNER - KKK

HOLSET

BORG WARNER - SCHWITZER

MITSUBISHI

ROTOMASTER/CUMMINS

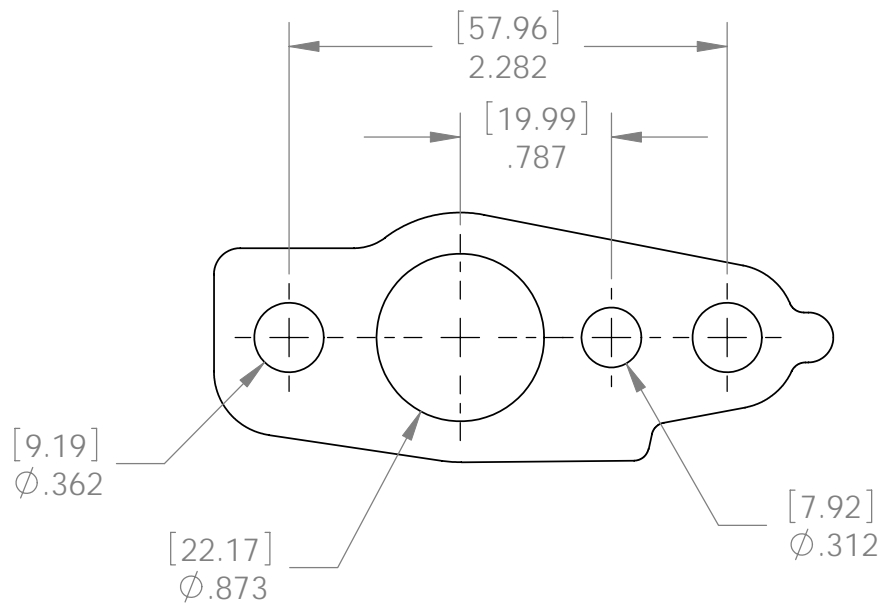
IHI

HITACHI

TOYOTA

CT20, CT26

KOMATSU



GASKET



LOCATION: OIL OUTLET

MATERIAL: FIBER

SCALE: 1:1

TI Part No. 8-E-1243

APPLICATIONS:

GARRETT

HOLSET

MITSUBISHI TC04, TD04

IHI

TOYOTA

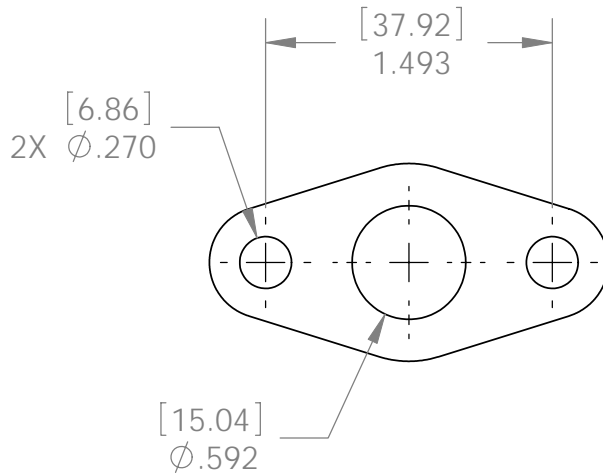
BORG WARNER - KKK

BORG WARNER - SCHWITZER

ROTOMASTER/CUMMINS

HITACHI

KOMATSU



GASKET



LOCATION: OIL INLET

MATERIAL: FIBER

SCALE: 1:1

TI Part No. 8-D-3088

APPLICATIONS:

GARRETT

BORG WARNER - KKK

K26, K27

HOLSET

BORG WARNER - SCHWITZER

MITSUBISHI

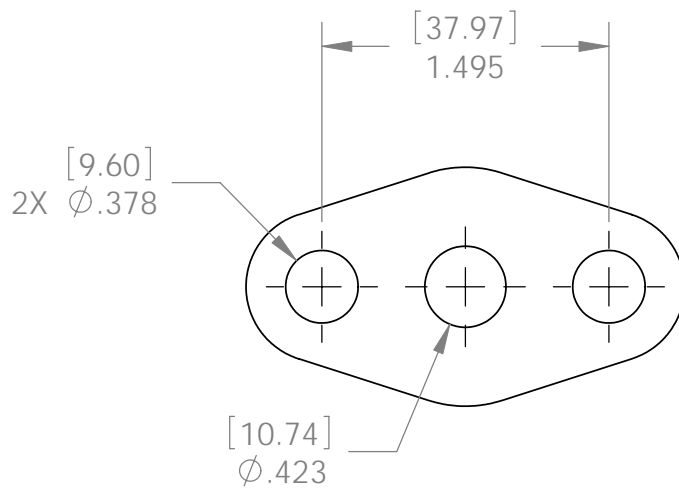
ROTOMASTER/CUMMINS

IHI

HITACHI

TOYOTA

KOMATSU



GASKET



LOCATION: OIL OUTLET

MATERIAL: FIBER

SCALE: 1:1

TI Part No. 8-E-2786

APPLICATIONS:

GARRETT

HOLSET

MITSUBISHI TD02, TD025

IHI

TOYOTA

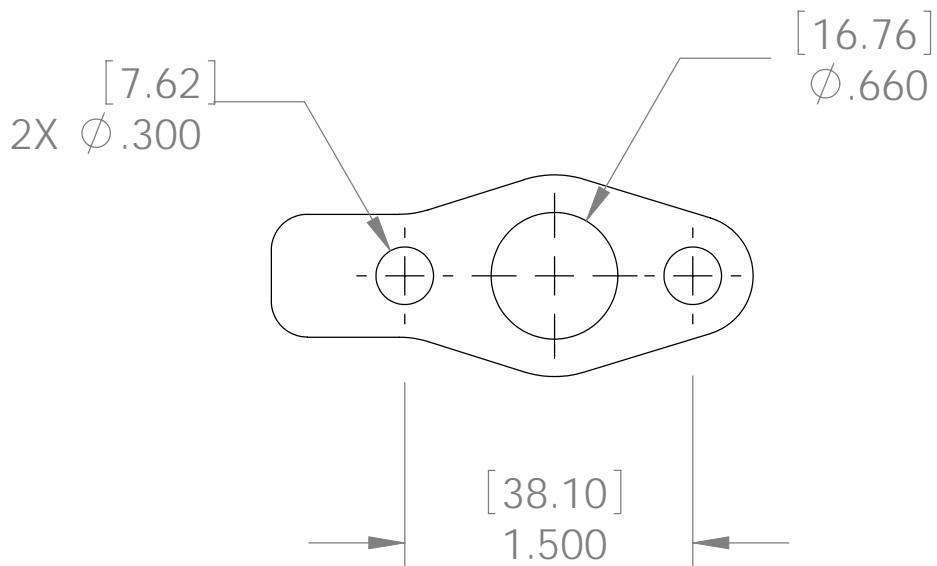
BORG WARNER - KKK

BORG WARNER - SCHWITZER

ROTOMASTER/CUMMINS

HITACHI

KOMATSU



GASKET



LOCATION: OIL OUTLET

MATERIAL: FIBER

SCALE: 1:1

TI Part No. 8-A-3476

APPLICATIONS:

GARRETT TE06

HOLSET

MITSUBISHI

IHI

TOYOTA

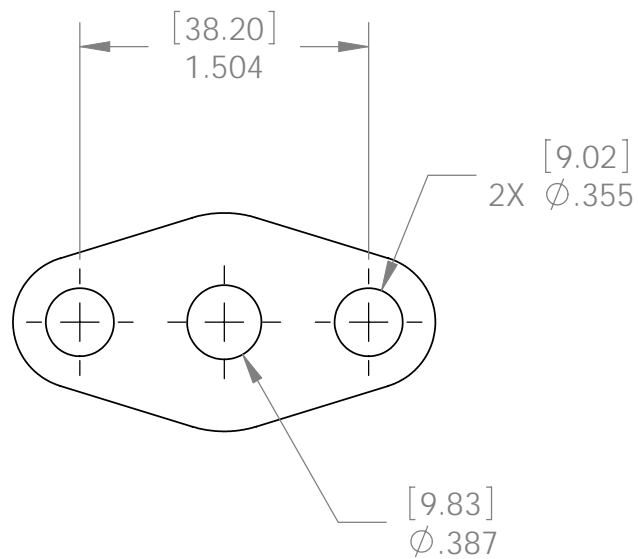
BORG WARNER - KKK

BORG WARNER - SCHWITZER

ROTOMASTER/CUMMINS

HITACHI

KOMATSU



GASKET



LOCATION: OIL OUTLET

MATERIAL: FIBER

SCALE: 1:1

TI Part No. 8-F-1767

APPLICATIONS:

GARRETT

HOLSET

MITSUBISHI

IHI

TOYOTA

RHB6, RCH6

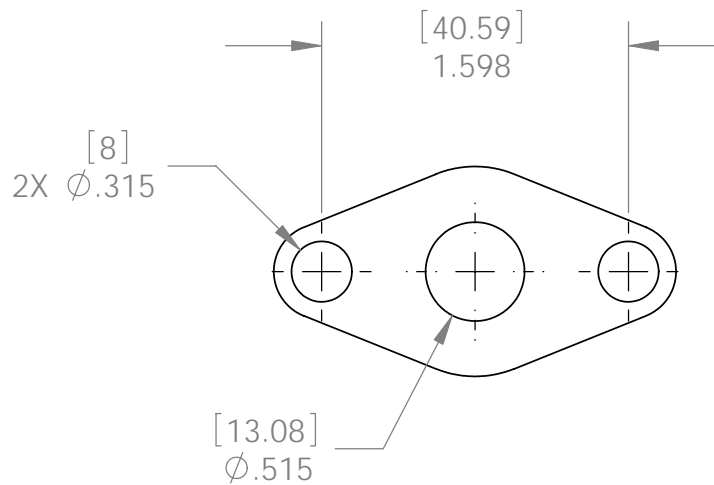
BORG WARNER - KKK

BORG WARNER - SCHWITZER

ROTOMASTER/CUMMINS

HITACHI

KOMATSU



GASKET



LOCATION: OIL OUTLET

MATERIAL: FIBER

SCALE: 1:1

TI Part No. 8-F-1215

APPLICATIONS:

GARRETT

BORG WARNER - KKK

HOLSET

BORG WARNER - SCHWITZER

MITSUBISHI

ROTOMASTER/CUMMINS

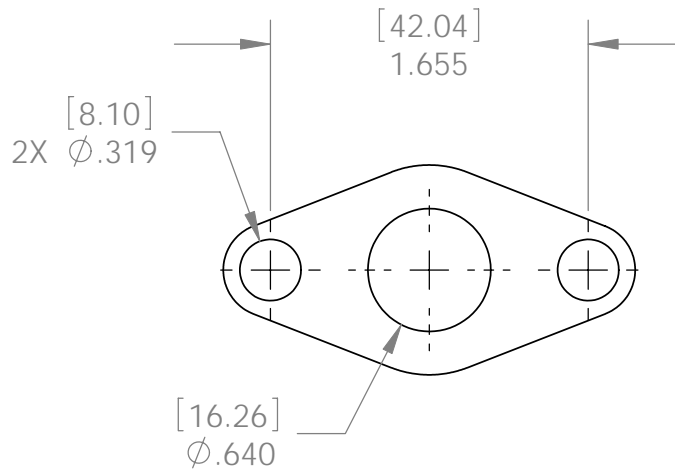
IHI

RHB5

HITACHI

TOYOTA

KOMATSU



GASKET



LOCATION: OIL OUTLET

MATERIAL: FIBER

SCALE: 1:1

TI Part No. 8-F-1768

APPLICATIONS:

GARRETT

BORG WARNER - KKK

HOLSET

BORG WARNER - SCHWITZER

MITSUBISHI

ROTOMASTER/CUMMINS

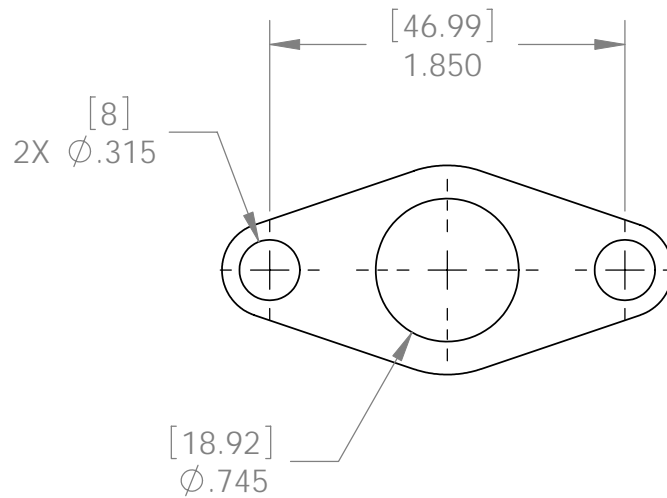
IHI

RHB7, RHC7

HITACHI

TOYOTA

KOMATSU



GASKET



LOCATION: OIL OUTLET

MATERIAL: FIBER

SCALE: 1:1

TI Part No. 8-D-3096

APPLICATIONS:

GARRETT

BORG WARNER - KKK

K26/K27

HOLSET

BORG WARNER - SCHWITZER

MITSUBISHI

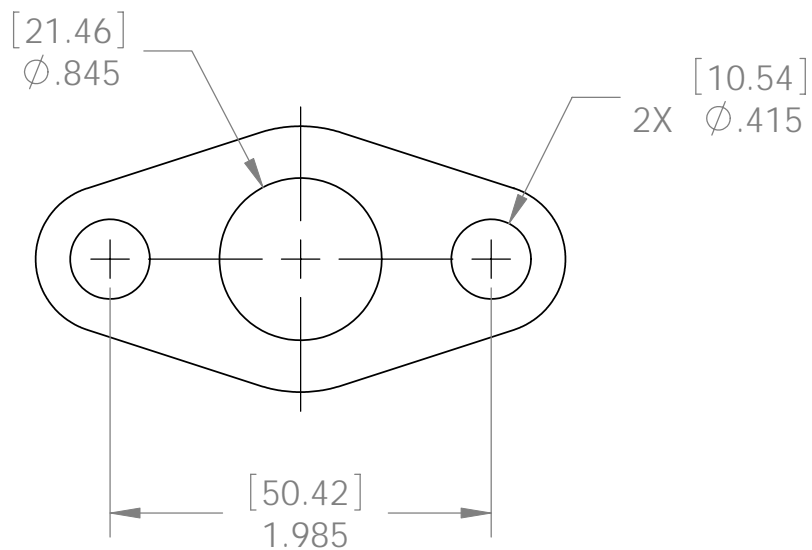
ROTOMASTER/CUMMINS

IHI

HITACHI

TOYOTA

KOMATSU



GASKET



LOCATION: OIL OUTLET

MATERIAL: FIBER

SCALE: 1:1

TI Part No. 8-C-1725

APPLICATIONS:

GARRETT

BORG WARNER - KKK

S3B

HOLSET

BORG WARNER - SCHWITZER

MITSUBISHI

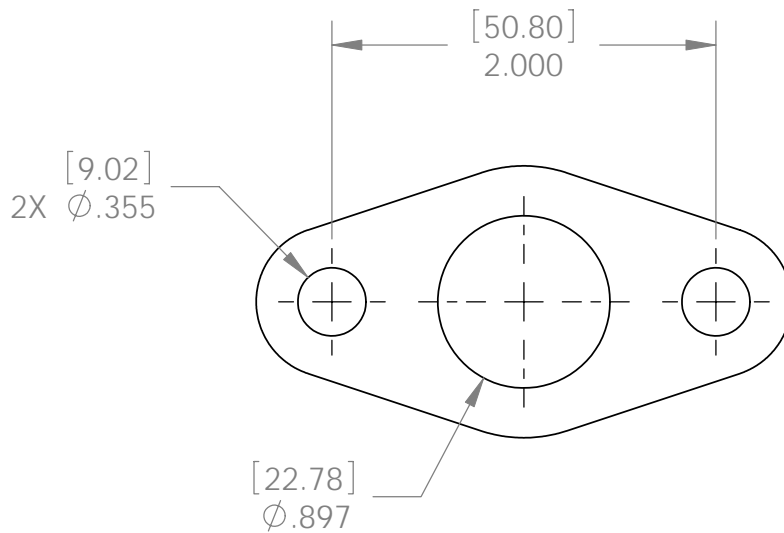
ROTOMASTER/CUMMINS

IHI

HITACHI

TOYOTA

KOMATSU



GASKET



LOCATION: OIL OUTLET

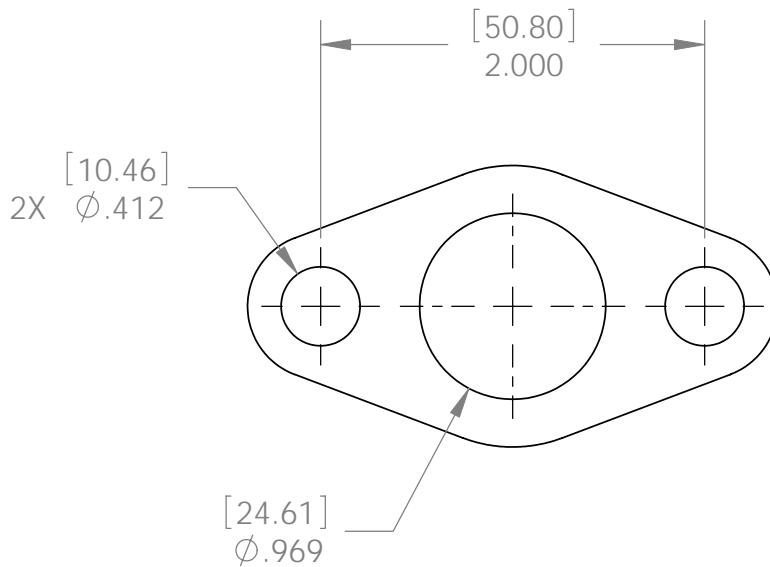
MATERIAL: FIBER

SCALE: 1:1

TI Part No. 8-B-0094

APPLICATIONS:

GARRETT		BORG WARNER - KKK	3LD
HOLSET	3LD	BORG WARNER - SCHWITZER	3LD
MITSUBISHI		ROTOMASTER/CUMMINS	
IHI		HITACHI	
TOYOTA		KOMATSU	



GASKET



LOCATION: OIL OUTLET

MATERIAL: FIBER

SCALE: 1:1

TI Part No. 8-A-0270

APPLICATIONS:

GARRETT T04B

BORG WARNER - KKK

HOLSET H1C,D,E, H2A, WH1C,E, HX40W

BORG WARNER - SCHWITZER

S1A, S1B

MITSUBISHI

ROTOMASTER/CUMMINS

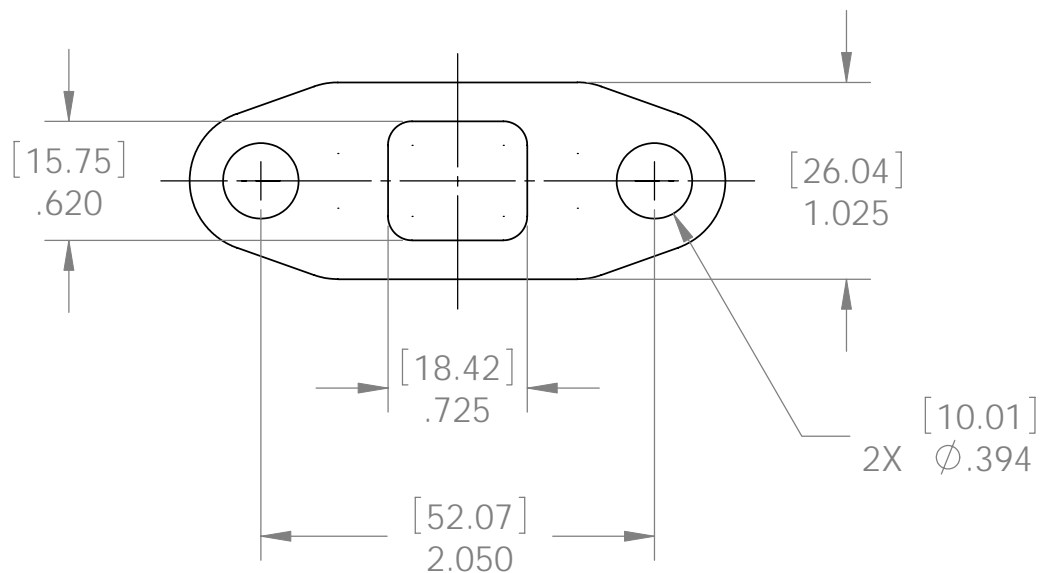
S2A, S100

IHI

HITACHI

TOYOTA

KOMATSU



GASKET



LOCATION: OIL OUTLET

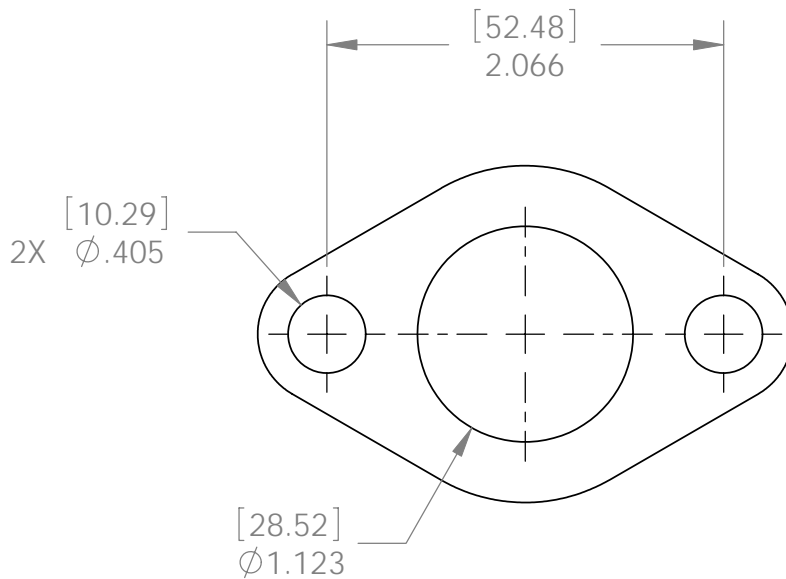
MATERIAL: FIBER

SCALE: 1:1

TI Part No. 8-B-3119

APPLICATIONS:

GARRETT		BORG WARNER - KKK	4LE
HOLSET	4LE/HT3B	BORG WARNER - SCHWITZER	4LE
MITSUBISHI		ROTOMASTER/CUMMINS	
IHI		HITACHI	
TOYOTA		KOMATSU	



GASKET



LOCATION: TURBINE INLET

MATERIAL: 304 SS

SCALE: 1:1

TI Part No. 8-A-3208

APPLICATIONS:

GARRETT T2/T25

BORG WARNER - KKK

HOLSET

BORG WARNER - SCHWITZER

MITSUBISHI

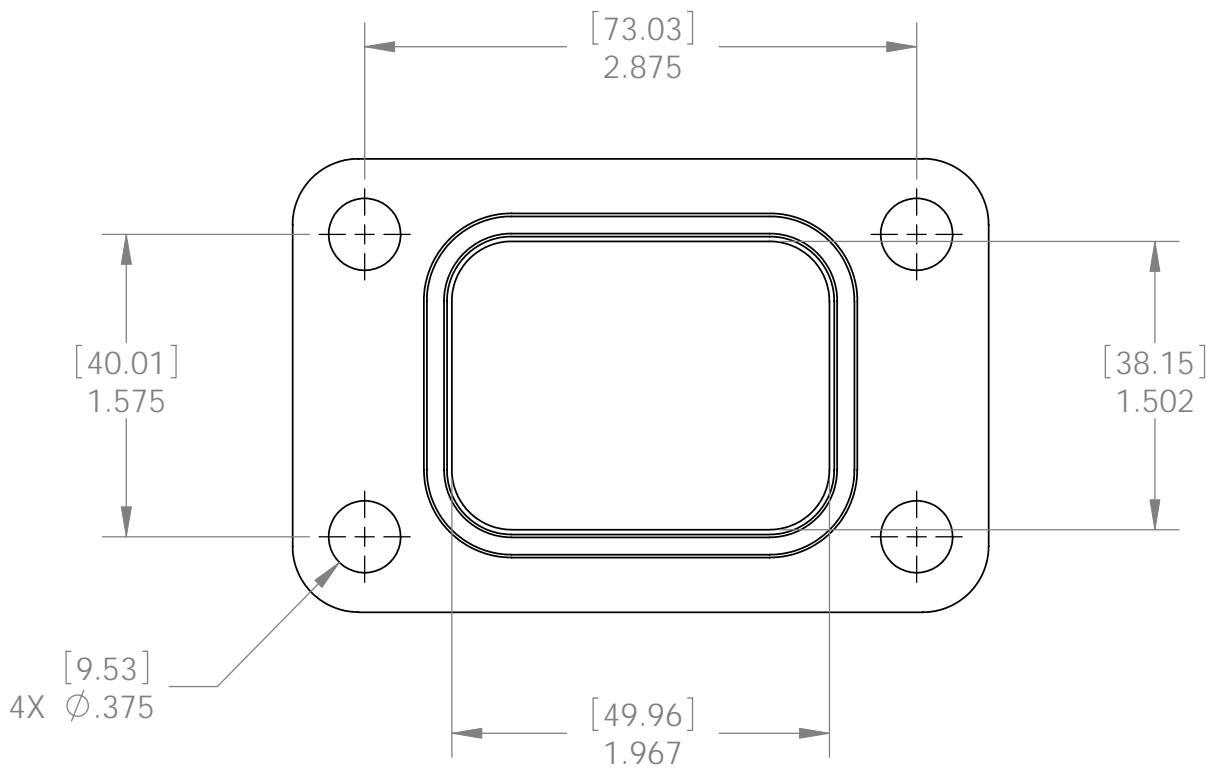
ROTOMASTER/CUMMINS

IHI

HITACHI

TOYOTA

KOMATSU



GASKET



LOCATION: TURBINE INLET

MATERIAL: 304 SS

SCALE: 1:1

TI Part No. 8-A-0710

APPLICATIONS:

GARRETT T3/T04B

BORG WARNER - KKK

HOLSET

BORG WARNER - SCHWITZER

MITSUBISHI

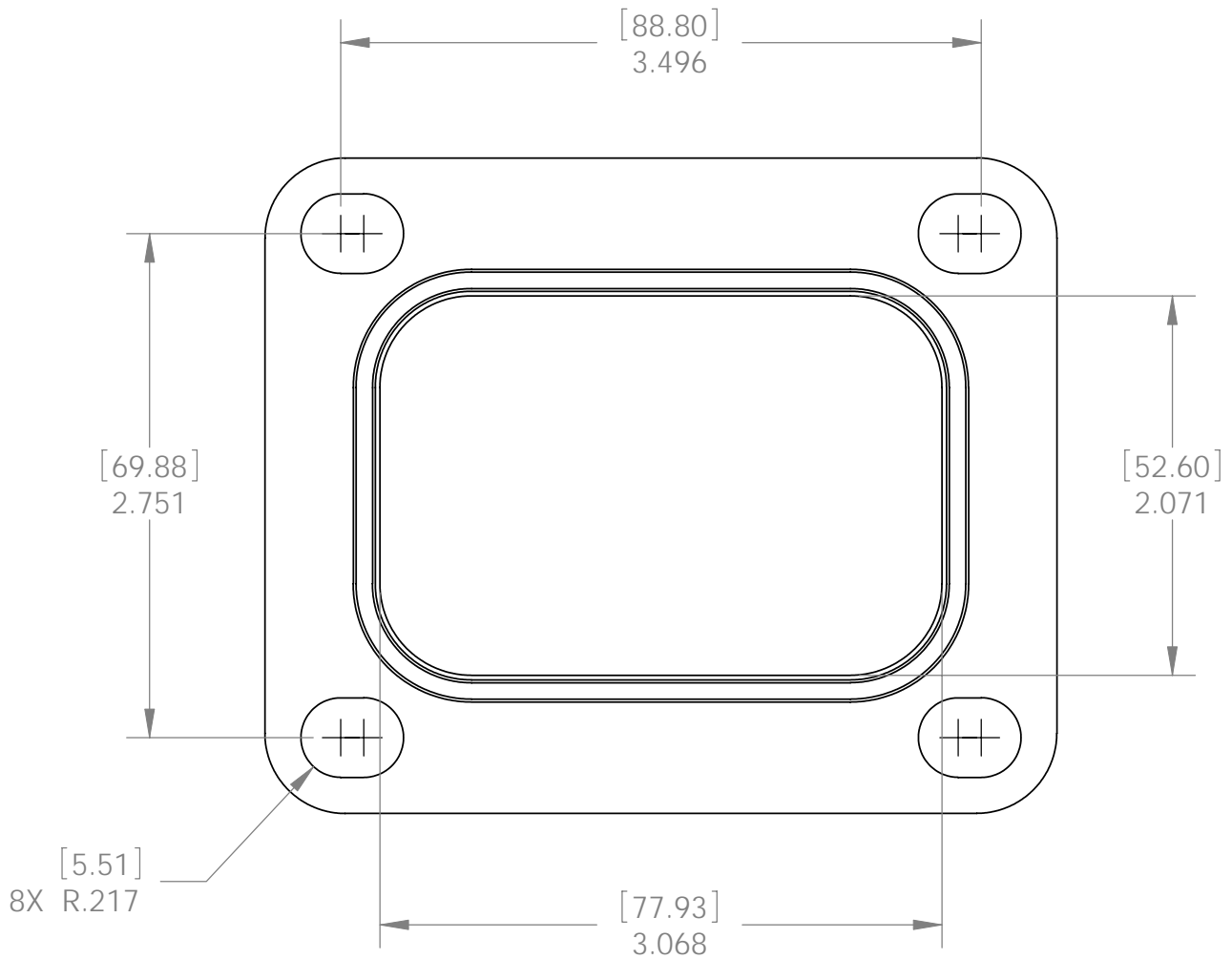
ROTOMASTER/CUMMINS

IHI

HITACHI

TOYOTA

KOMATSU



GASKET



LOCATION: TURBINE INLET

MATERIAL: 304 SS

SCALE: 1:1

TI Part No. 8-A-0988

APPLICATIONS:

GARRETT TV80

BORG WARNER - KKK

HOLSET 4L, H2D

BORG WARNER - SCHWITZER

MITSUBISHI

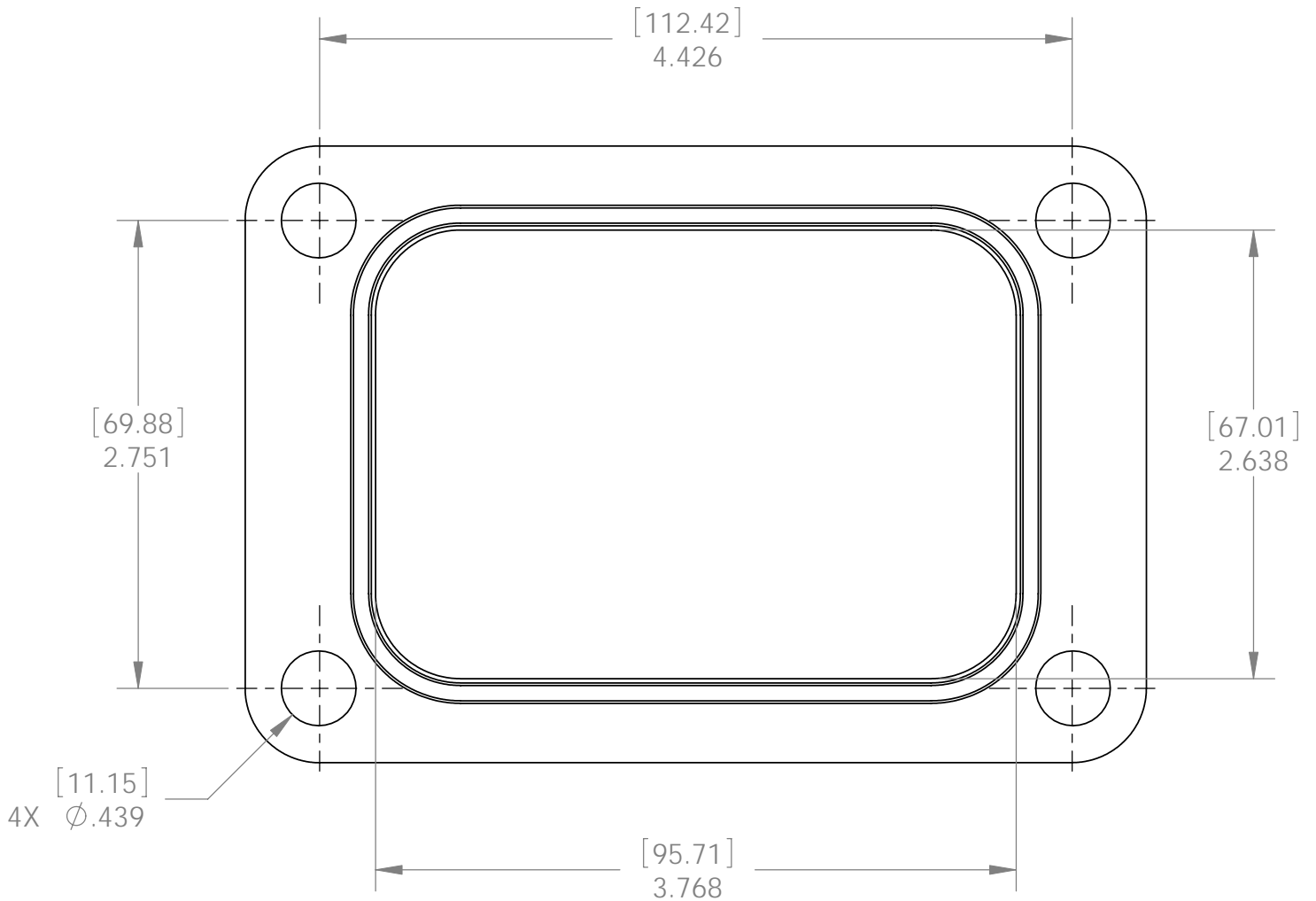
ROTOMASTER/CUMMINS

IHI

HITACHI

TOYOTA

KOMATSU



GASKET



LOCATION: TURBINE INLET

MATERIAL: 304 SS

SCALE: 1:1

TI Part No. 8-A-0987

APPLICATIONS:

GARRETT T18

BORG WARNER - KKK

HOLSET

BORG WARNER - SCHWITZER

MITSUBISHI

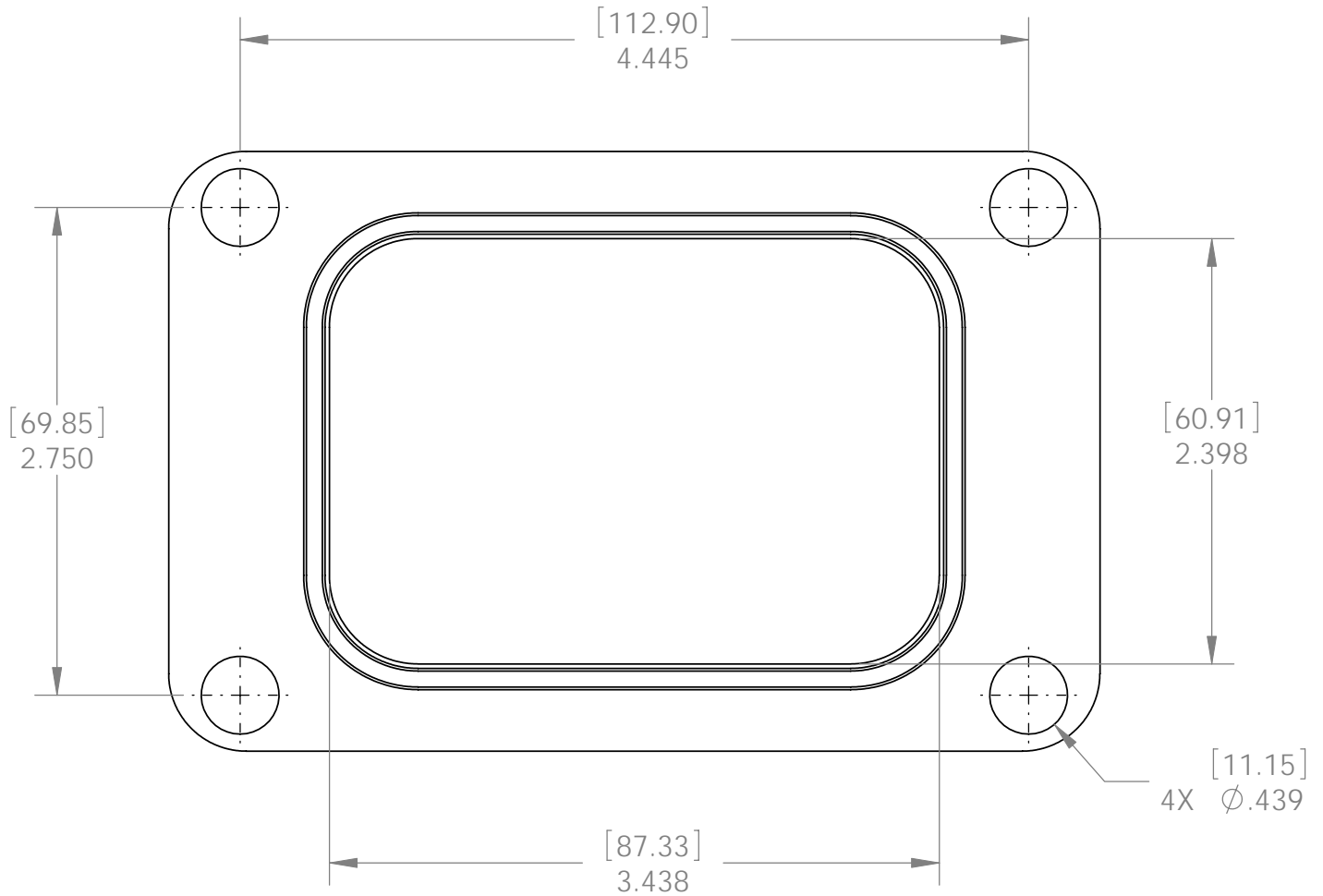
ROTOMASTER/CUMMINS

IHI

HITACHI

TOYOTA

KOMATSU



GASKET



LOCATION: TURBINE INLET

MATERIAL: 304 SS

SCALE: 1:1

TI Part No. 8-A-0711

APPLICATIONS:

GARRETT T3/T04B

BORG WARNER - KKK

HOLSET

BORG WARNER - SCHWITZER

MITSUBISHI

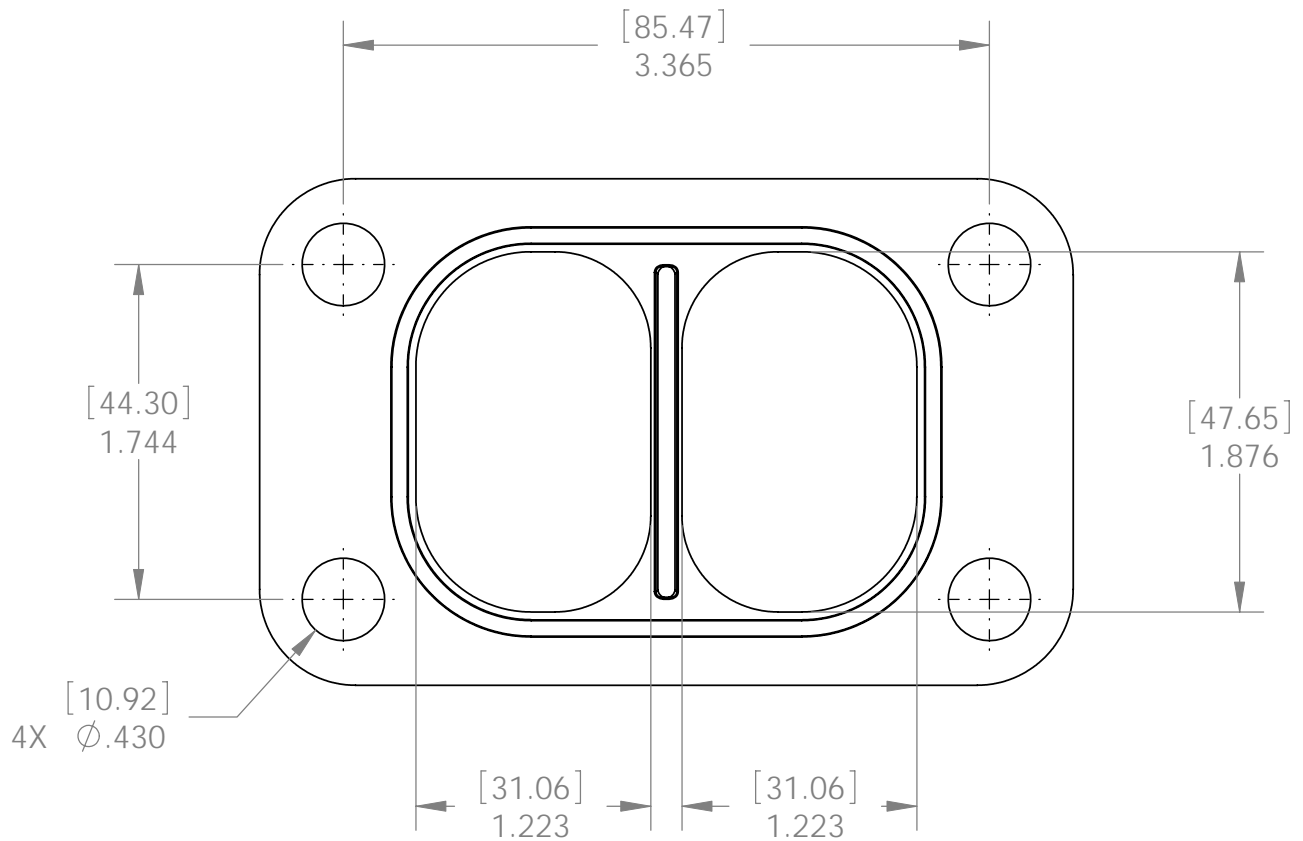
ROTOMASTER/CUMMINS

IHI

HITACHI

TOYOTA

KOMATSU



GASKET



LOCATION: TURBINE INLET

MATERIAL: 304 SS

SCALE: 1:1

TI Part No. 8-A-0753

APPLICATIONS:

GARRETT T04B

BORG WARNER - KKK

HOLSET

BORG WARNER - SCHWITZER

MITSUBISHI

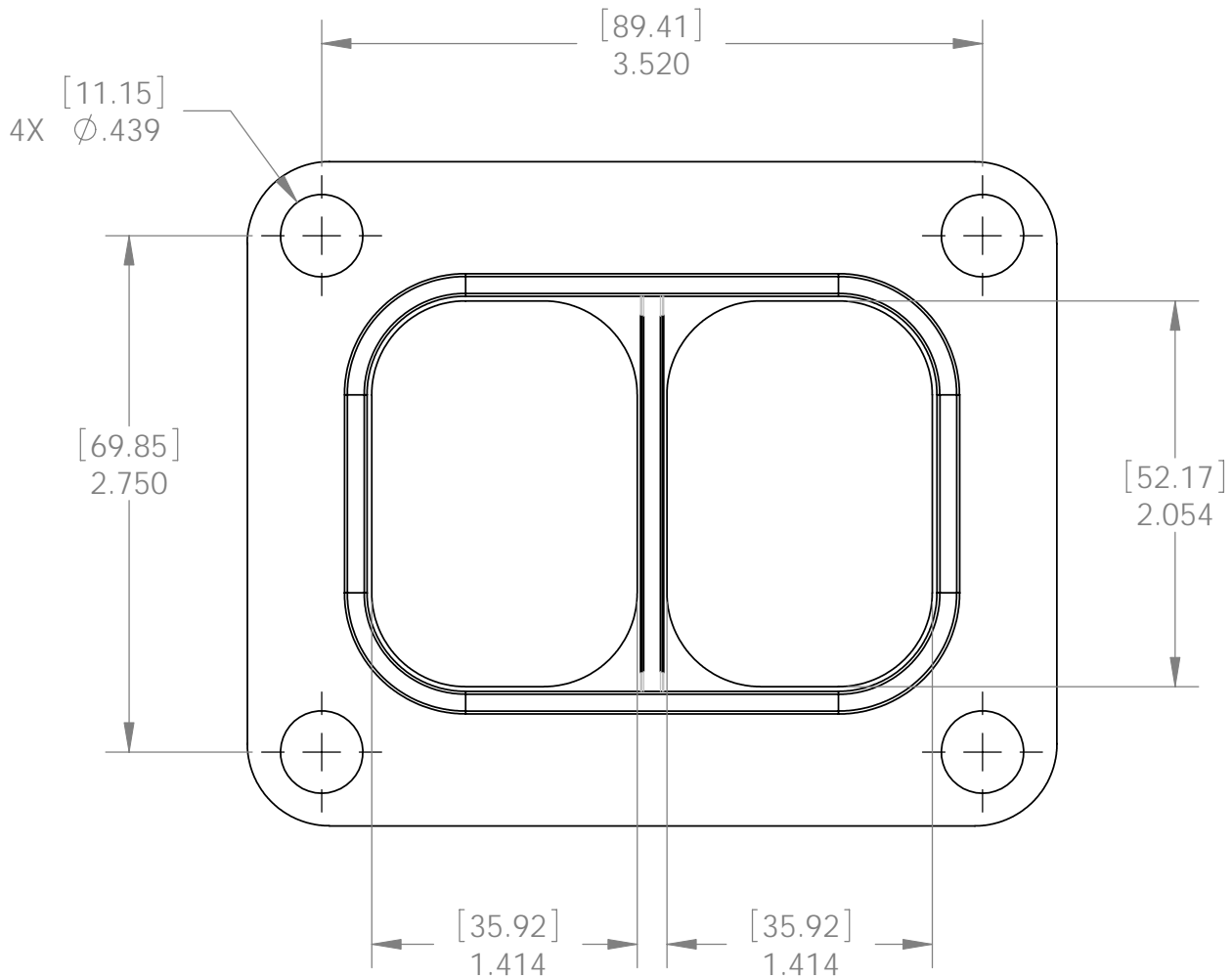
ROTOMASTER/CUMMINS

IHI

HITACHI

TOYOTA

KOMATSU



GASKET



LOCATION: TURBINE INLET

MATERIAL: 304 SS

SCALE: 1:1

TI Part No. 8-A-2063

APPLICATIONS:

GARRETT TP38

BORG WARNER - KKK

HOLSET

BORG WARNER - SCHWITZER

MITSUBISHI

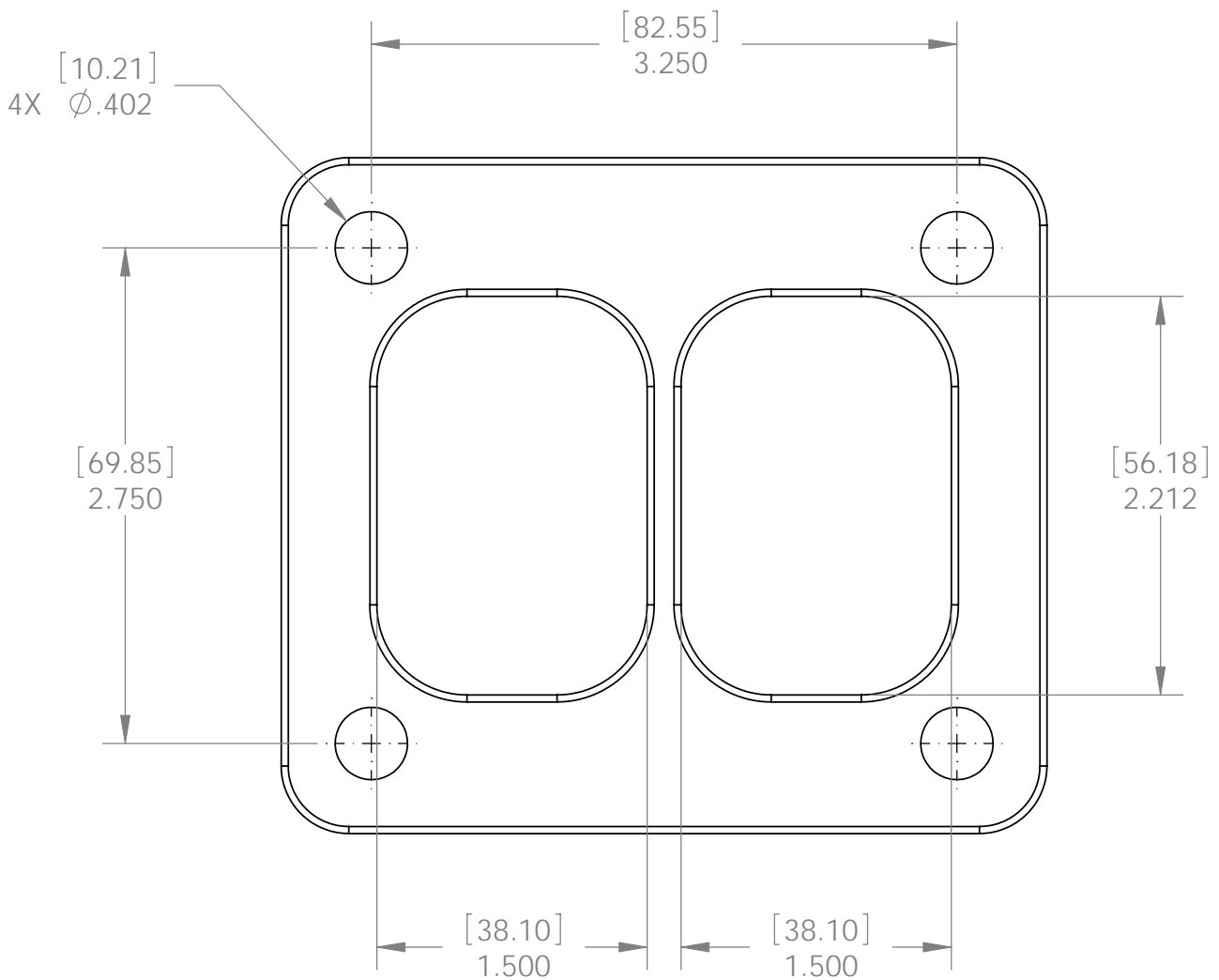
ROTOMASTER/CUMMINS

IHI

HITACHI

TOYOTA

KOMATSU



GASKET



LOCATION: TURBINE INLET

MATERIAL: 304 SS

SCALE: 1:1

TI Part No. 8-A-0943

APPLICATIONS:

GARRETT TV81

BORG WARNER - KKK

HOLSET

BORG WARNER - SCHWITZER

MITSUBISHI

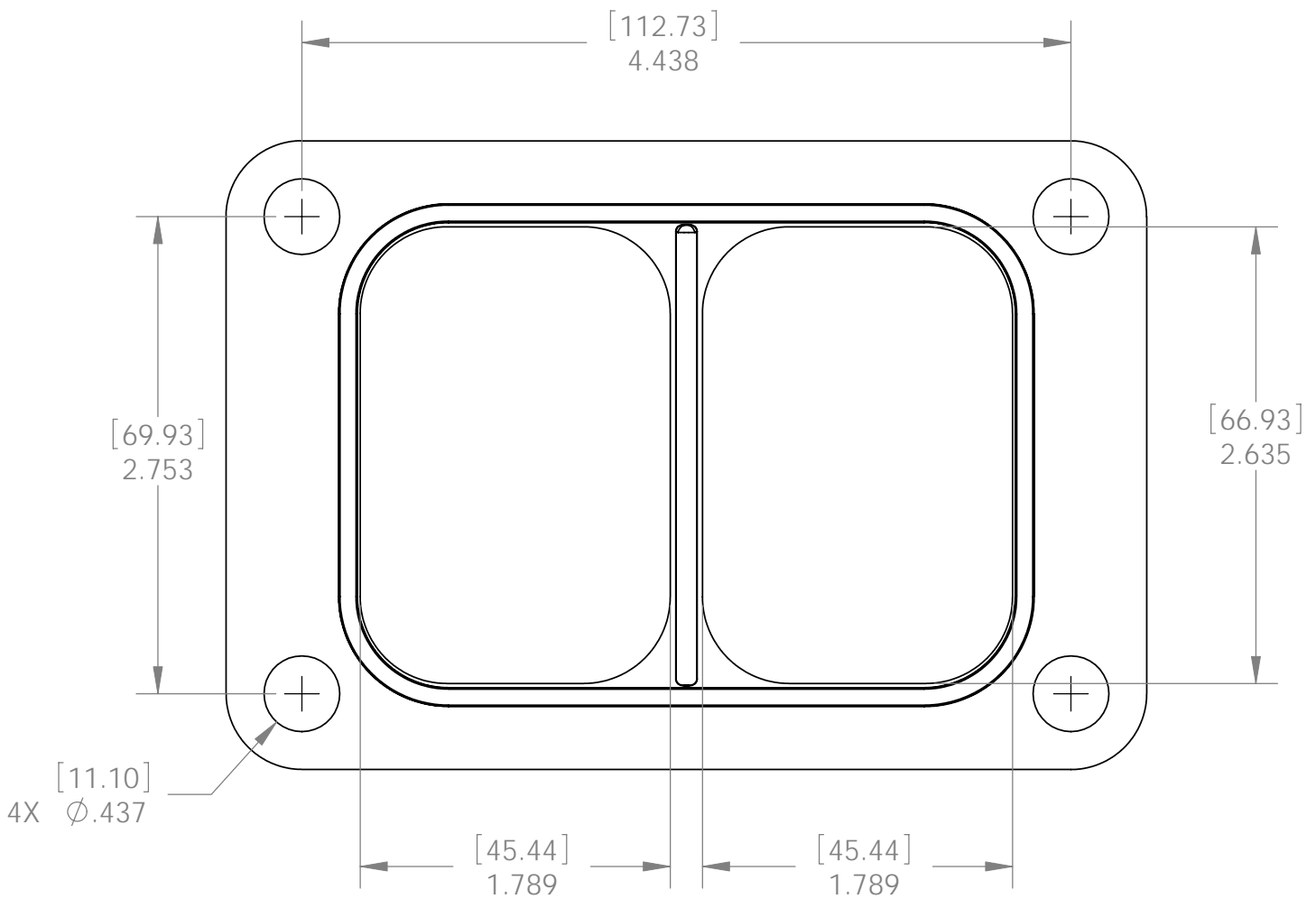
ROTOMASTER/CUMMINS

IHI

HITACHI

TOYOTA

KOMATSU



GASKET



LOCATION: TURBINE INLET

MATERIAL: STEEL

SCALE: 1:1

TI Part No. 8-C-3201

APPLICATIONS:

GARRETT

BORG WARNER - KKK

HOLSET

BORG WARNER - SCHWITZER

MITSUBISHI

ROTOMASTER/CUMMINS

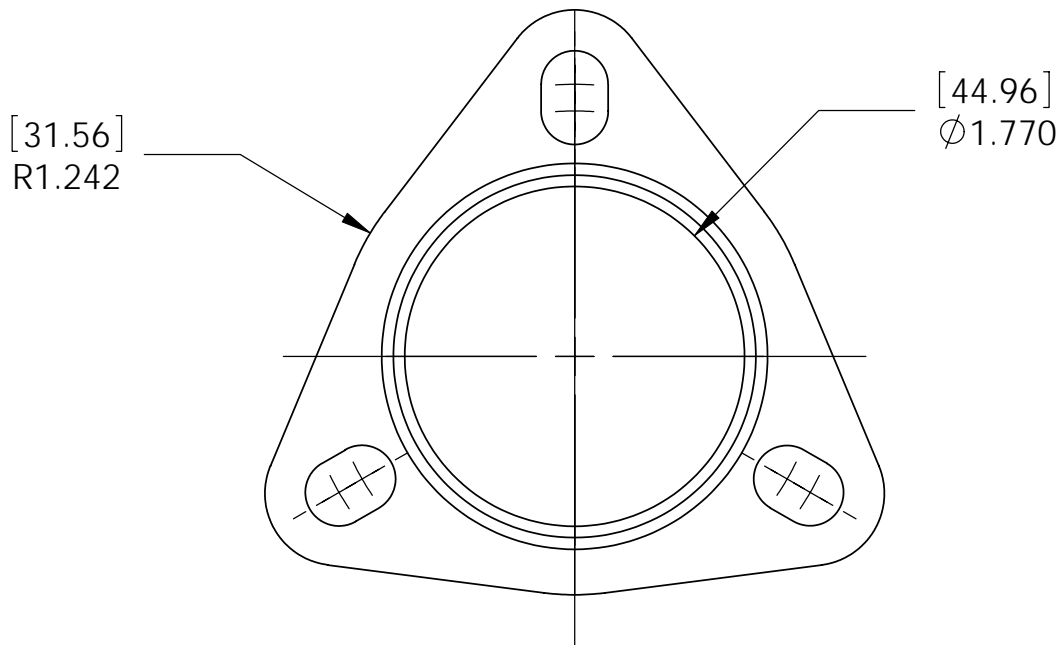
S2A, S100

IHI

HITACHI

TOYOTA

KOMATSU



GASKET



LOCATION: TURBINE OUTLET

MATERIAL: 304 SS

SCALE: 1:1

TI Part No. 8-A-0754

APPLICATIONS:

GARRETT T04B

BORG WARNER - KKK

HOLSET

BORG WARNER - SCHWITZER

MITSUBISHI

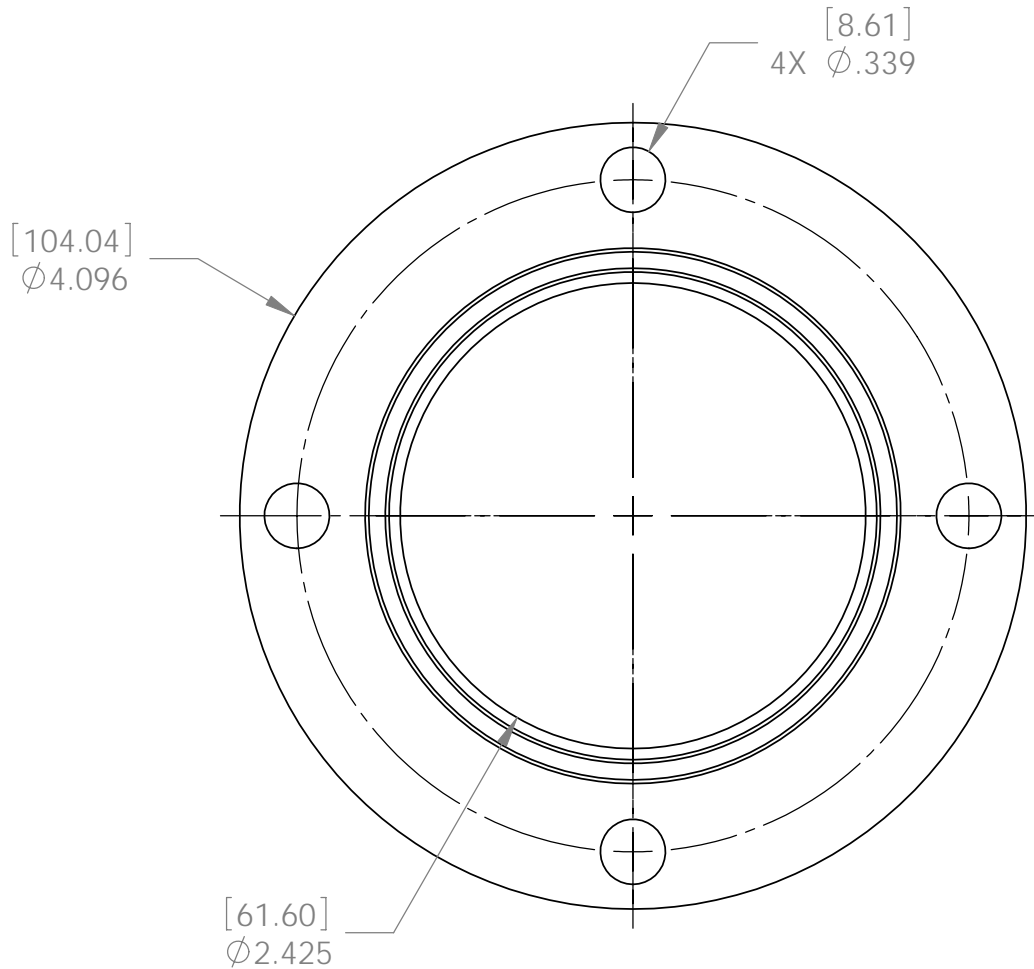
ROTOMASTER/CUMMINS

IHI

HITACHI

TOYOTA

KOMATSU



GASKET



LOCATION: TURBINE OUTLET

MATERIAL: FIBER

SCALE: 1:1

TI Part No. 8-A-0022

APPLICATIONS:

GARRETT T04B

BORG WARNER - KKK

HOLSET

BORG WARNER - SCHWITZER

MITSUBISHI

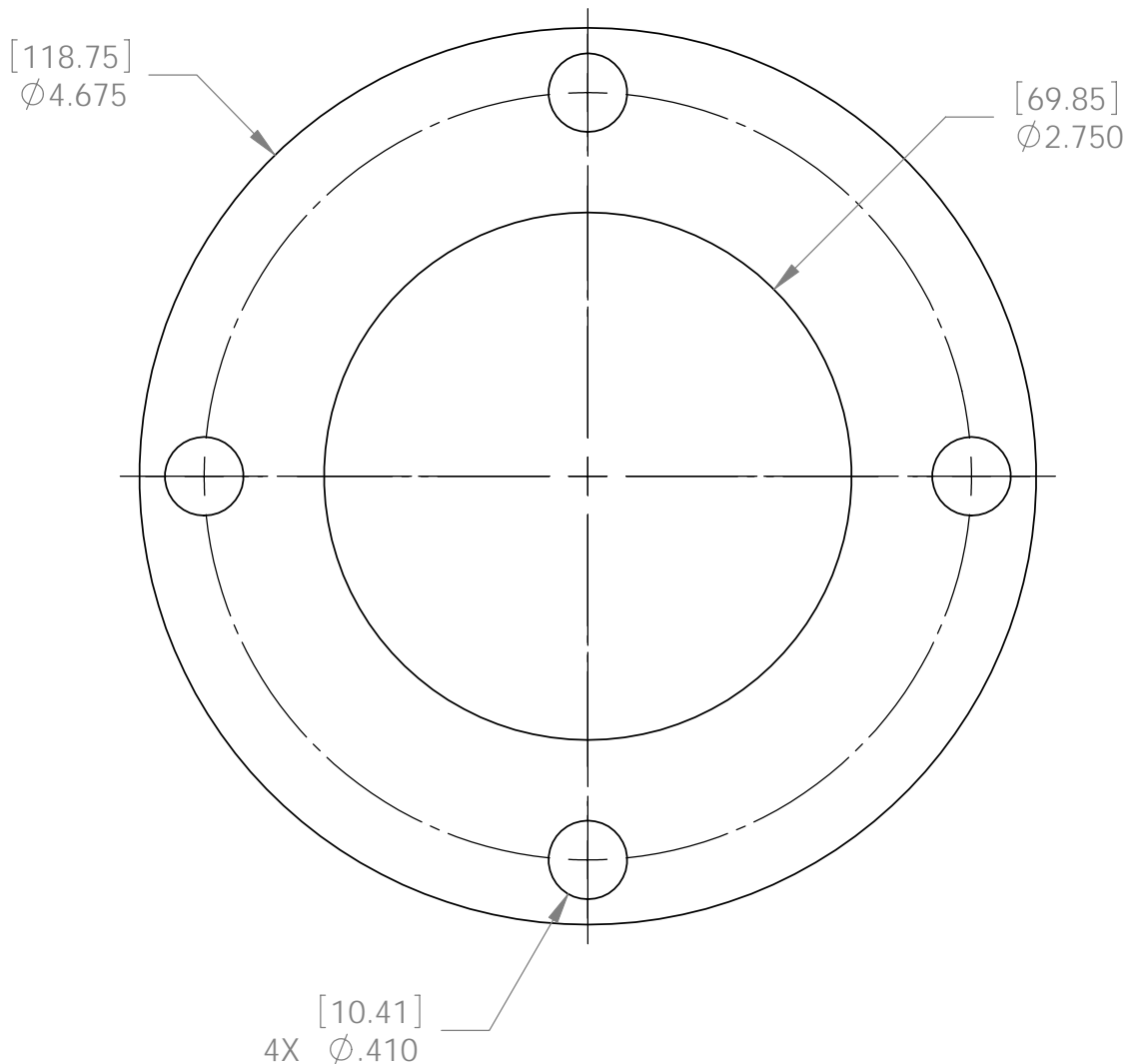
RODOMASTER/CUMMINS

IHI

HITACHI

TOYOTA

KOMATSU



GASKET



LOCATION: TURBINE OUTLET

MATERIAL: 304 SS

SCALE: 1:1

TI Part No. 8-A-0755

APPLICATIONS:

GARRETT T04B

HOLSET

MITSUBISHI

IHI

TOYOTA

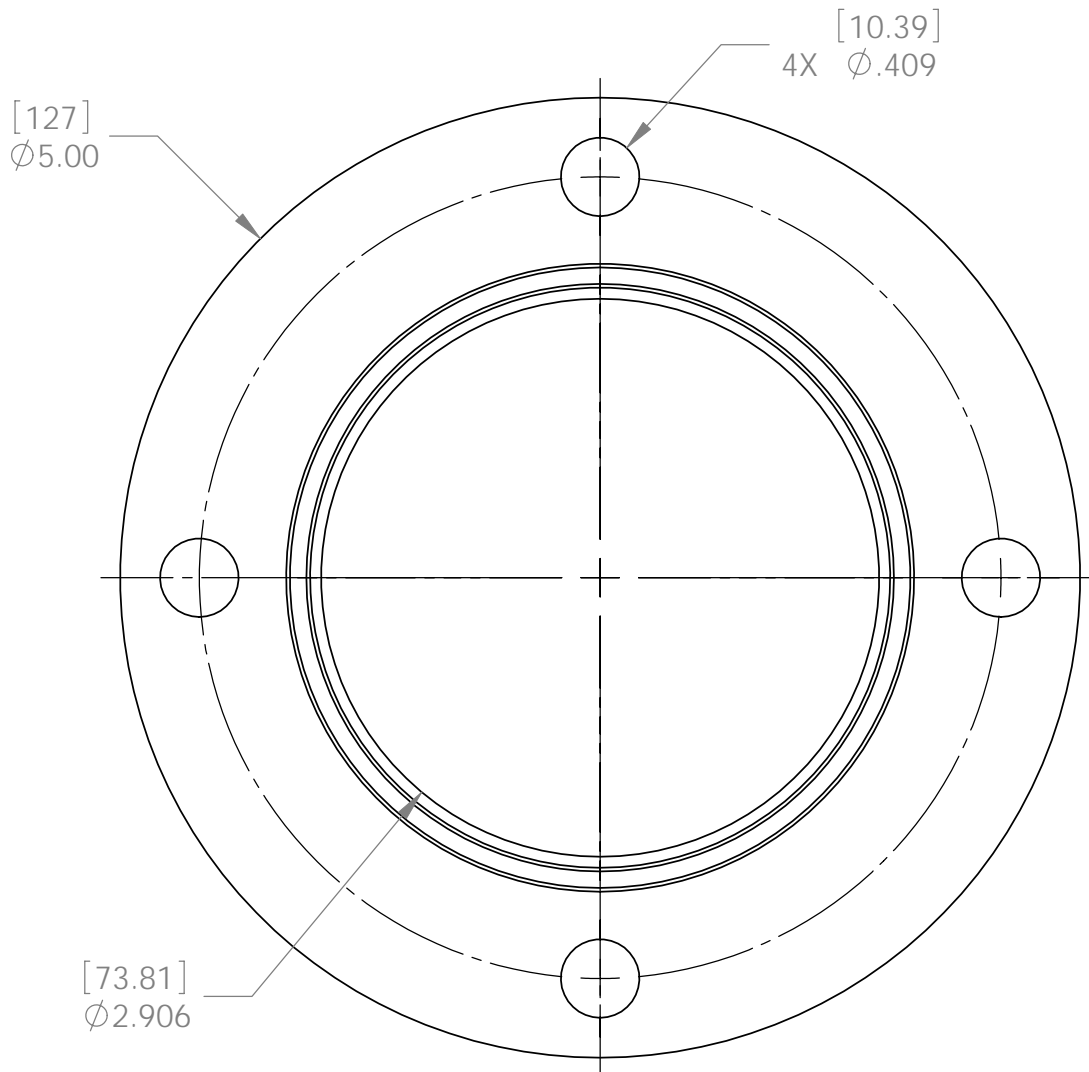
BORG WARNER - KKK

BORG WARNER - SCHWITZER

ROTOMASTER/CUMMINS

HITACHI

KOMATSU



GASKET



LOCATION: AIR OUTLET

MATERIAL: FIBER

SCALE: 1:1

TI Part No. 8-G-0742

APPLICATIONS:

GARRETT

BORG WARNER - KKK

HOLSET

BORG WARNER - SCHWITZER

MITSUBISHI

ROTOMASTER/CUMMINS

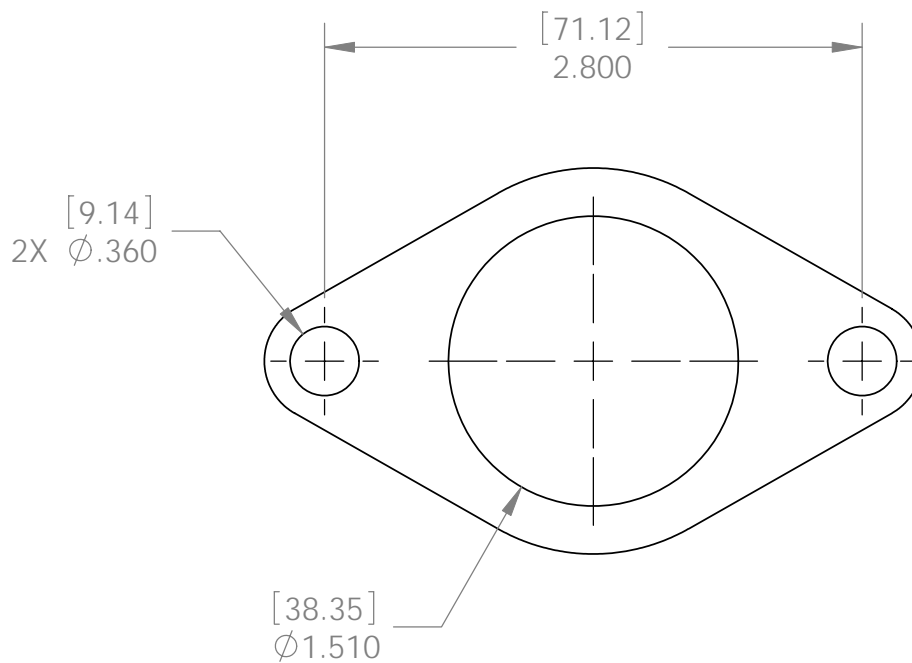
IHI

HITACHI

TOYOTA

CT20, CT26

KOMATSU



GASKET



LOCATION: WATER INLET

MATERIAL: FIBER

SCALE: 1:1

TI Part No. 8-G-0741

APPLICATIONS:

GARRETT

BORG WARNER - KKK

HOLSET

BORG WARNER - SCHWITZER

MITSUBISHI

ROTOMASTER/CUMMINS

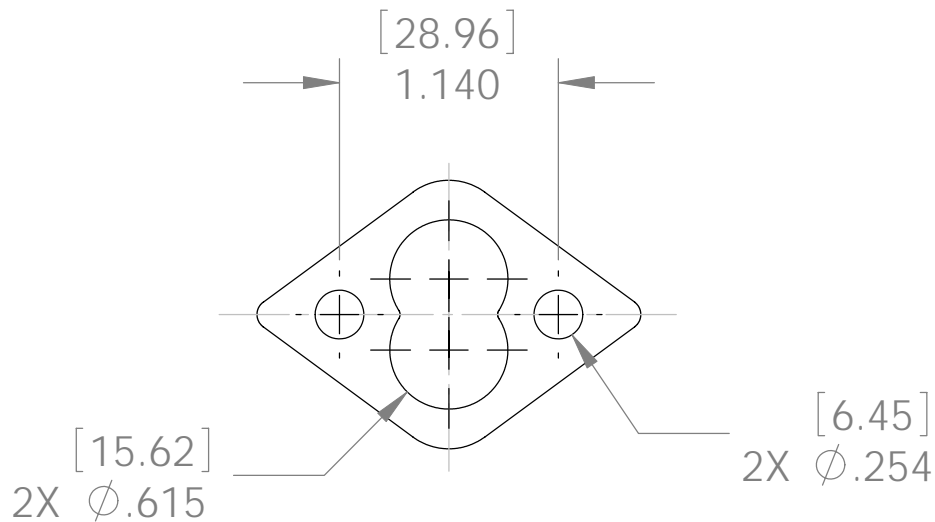
IHI

HITACHI

TOYOTA

CT20, CT26

KOMATSU



GASKET



LOCATION: BACKPLATE / BEARING HOUSING

MATERIAL: 304 SS

SCALE: 1:1

TI Part No. 8-C-0069

APPLICATIONS:

GARRETT

HOLSET

MITSUBISHI

IHI

TOYOTA

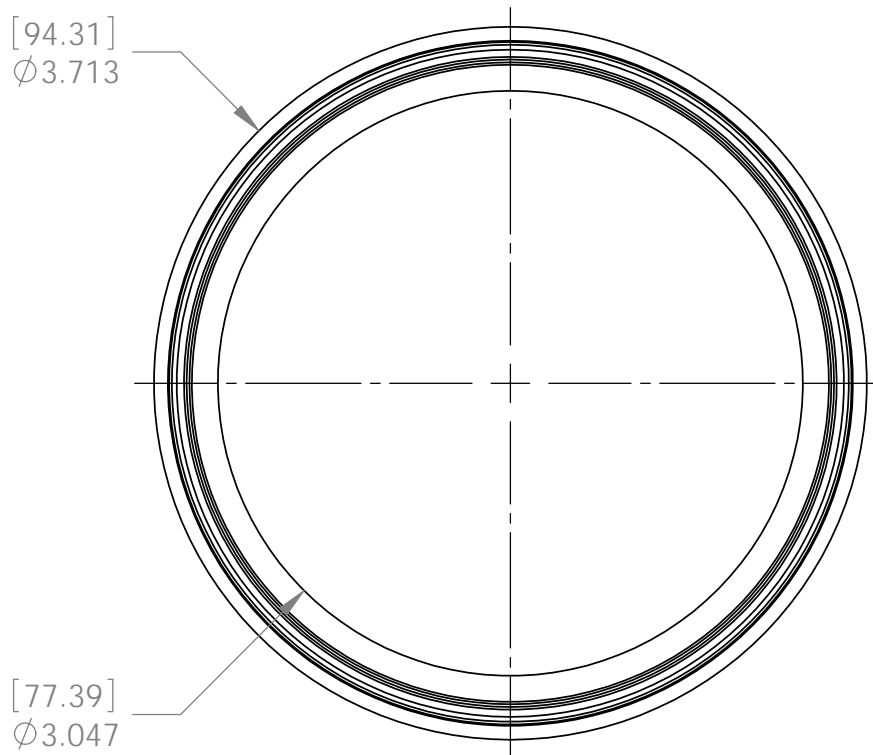
BORG WARNER - KKK

BORG WARNER - SCHWITZER 3LM

ROTOMASTER/CUMMINS

HITACHI

KOMATSU



GASKET

LOCATION: COMPRESSOR HOUSING

MATERIAL: FIBER

SCALE: 1:1

TI Part No. 8-E-3067

APPLICATIONS:

GARRETT

HOLSET

MITSUBISHI TD02

IHI

TOYOTA

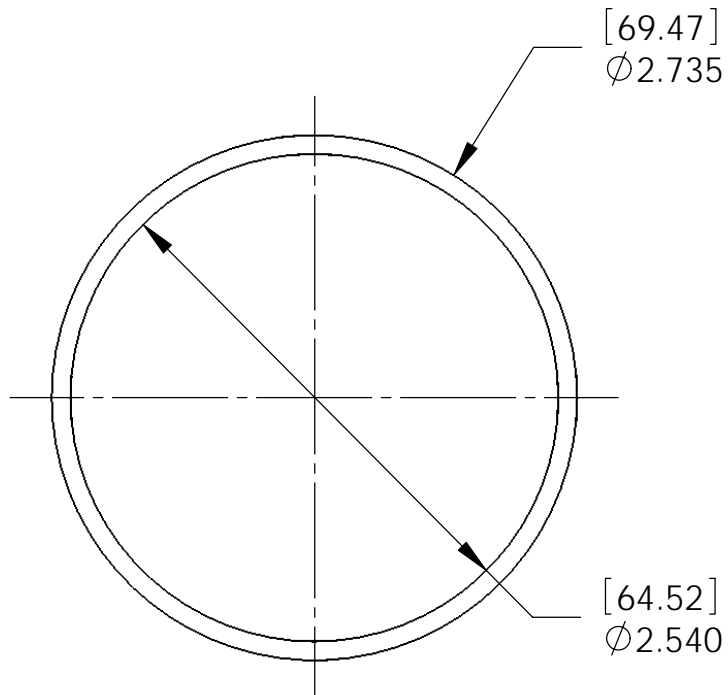
BORG WARNER - KKK

BORG WARNER - SCHWITZER

ROTOMASTER/CUMMINS

HITACHI

KOMATSU



GASKET



LOCATION: BEARING HOUSING / COMPRESSOR HOUSING

MATERIAL: FIBER

SCALE: 1:1

TI Part No. 8-A-0286

APPLICATIONS:

GARRETT T3

BORG WARNER - KKK

HOLSET

BORG WARNER - SCHWITZER

MITSUBISHI

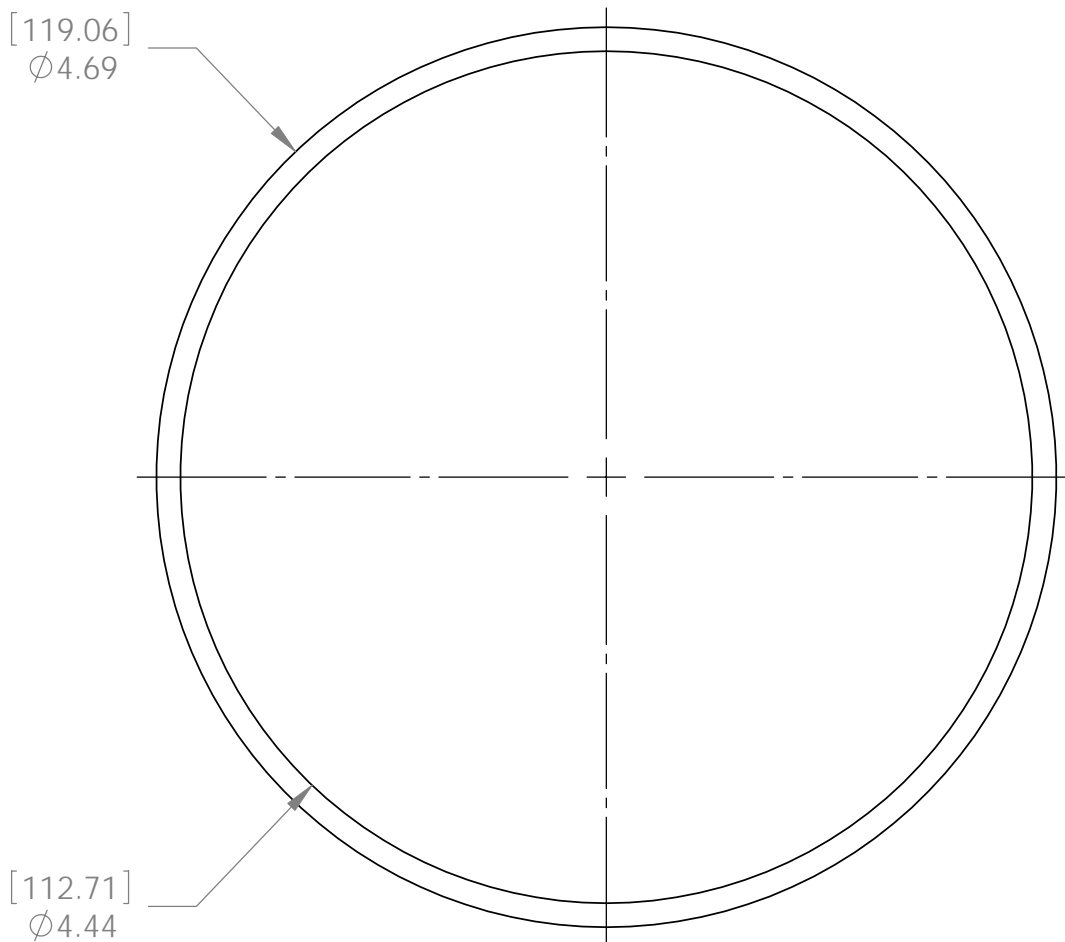
ROTOMASTER/CUMMINS

IHI

HITACHI

TOYOTA

KOMATSU



GASKET



LOCATION: COMPRESSOR HOUSING

MATERIAL: FIBER

SCALE: 1:1

TI Part No. 8-B-3460

APPLICATIONS:

GARRETT

BORG WARNER - KKK

HOLSET H2C

BORG WARNER - SCHWITZER

MITSUBISHI

ROTOMASTER/CUMMINS

IHI

HITACHI

TOYOTA

KOMATSU

