



## Borg Warner ( K K K ) Index

Cross reference K K K to Turbo International	pages 1 - 8
Cartridge/chra applications by vehicle/engine model	pages 10 - 14
Cartridge/chra applications by turbo part no.	pages 15 - 18
Cartridge/chra applications by cartridge/chra part no.	pages 19 - 22
Major components:	pages 23 - 26
Turbine Wheels	
Compressor Wheels	
Bearing Housings	
Backplates/Seal Plates	
Heat Shields/Shrouds	
Service kits by model	pages 27 - 38

### K K K Service Kits by Turbo Model

Turbo Model	Kit page no
3LD	27-28
3LDZ	26-27
KO3	26-27
4LE	30-31
4LF	30-31
4LG	30-31
4LGZ	30-31
KO4	26-27
KO6	26-27
K14	32-33
K16	32-33
K24 - Journal bearing 0.5115"/12.99mm o/d	32-33
K24 - Journal bearing 0.6292"/0.15.98mm o/d	34-35
K26	34-35
K27	34-35
K28	34-35
K29	34-35
KP31	37-38
KP35	37-38
BV39	37-38
KP39	37-38



## CROSS REFERENCE - Borg Warner (KKK) to Turbo International

OEM Part No.	Turbo International Part No.	Description	Turbo Model Application
	7-D-2557	SERVICE KIT, MAJOR, 0.181"/4.60mm bore, grv'd brg.	KO3
	7-D-2562	SERVICE KIT, MAJOR, 0.181"/4.60mm bore, plain brg.	KO3/KO4
	7-D-3557	SERVICE KIT, MAJOR, KP35, 12.6 mm	KP31/35/39/BV
	7-D-3616	SERVICE KIT, MINOR, KP35	KP31/35/39/BV
	7-D-3707	SERVICE KIT, MAJOR, KP35, 9.8 mm	KP31/35/39/BV
	7-D-3708	SERVICE KIT, UNIVERSAL, KP35	KP31/35/39/BV
	8-D-0836	JOURNAL BEARING 5/STD	K26
	8-D-0837	JOURNAL BEARING 5/5	K26
	8-D-0838	JOURNAL BEARING 10/STD	K26
	8-D-0840	JOURNAL BEARING STD/10	K26
	8-D-0859	JOURNAL BEARING STD/5	K26
	8-D-0860	JOURNAL BEARING 5/10	K26
	8-D-0861	JOURNAL BEARING 10/5	K26
	8-D-0862	JOURNAL BEARING 15/STD	K26
	8-D-1405	JOURNAL BEARING STD/10	K14
	8-D-1406	JOURNAL BEARING 10/10	K14
	8-D-1407	JOURNAL BEARING 20/STD	K14
	8-D-1408	JOURNAL BEARING 20/10	K14
	8-D-1409	JOURNAL BEARING 10/STD	K14
	8-D-1410	JOURNAL BEARING STD/20	K14
	8-D-1525	JOURNAL BEARING 5/5	K14/K16
	8-D-1595	JOURNAL BEARING 10/5	K14/K16
	8-D-1596	JOURNAL BEARING 5/STD	K14/K16
	8-D-1805	PISTON RING C/E & T/E 10/STD	K14/K16
	8-D-1806	PISTON RING C/E & T/E STD/10	K14/K16
	8-D-1807	PISTON RING C/E & T/E 10/10	K14/K16
	8-D-1808	PISTON RING C/E & T/E STD/20	K14/K16
	8-D-1809	PISTON RING C/E & T/E 10/20	K14/K16
	8-D-1810	PISTON RING C/E & T/E LARGE 10/STD	K26
	8-D-1811	PISTON RING C/E & T/E LARGE STD/10	K26
	8-D-1812	PISTON RING C/E & T/E LARGE 10/10	K26
	8-D-1813	PISTON RING C/E & T/E LARGE STD/20	K26
	8-D-1814	PISTON RING C/E & T/E LARGE 10/20	K26
	8-D-1815	PISTON RING C/E SMALL 10/STD	K26
	8-D-2022	JOURNAL BEARING, 5/STD	KO3/KO4
	8-D-2036	JOURNAL BEARING STD/5	K14/K16
	8-D-2499	JOURNAL BEARING, STD/5	KO3
	8-D-2500	JOURNAL BEARING, STD/10	KO3
	8-D-2510	THRUST SPACER 0.174"/4.420mm bore	KO3/KO4/KO6
	8-D-2556	WASHER, ALUMINUM	KO3
	8-D-3118	THRUST COLLAR 4.42mm bore, 1.00mm thick flange	KO4
	8-D-3325	JOURNAL BEARING STD/5	3LEP
	8-D-3326	JOURNAL BEARING STD/10	3LEP
	8-D-3757	PISTON RING T/E STD/10	K36
	8-D-3758	PISTON RING T/E STD/203531	K36
	8-D-3759	PISTON RING T/E 10/STD	K36
	8-D-3760	PISTON RING T/E 10/10	K36
	8-D-3761	PISTON RING T/E 10/20	K36



## CROSS REFERENCE - Borg Warner (KKK) to Turbo International

OEM Part No.	Turbo International Part No.	Description	Turbo Model Application
	8-D-0381	JOURNAL BEARING 10/10	K26
	8-D-1594	JOURNAL BEARING, 5/10	K14/K16
50035192251	8-D-0916	BOLT	K16
50035192601	8-D-0412	BOLT, B/HOUSING	K26
50035355219	8-D-0917	BOLT, HEX HEAD, M6 x 1.0-6H x 12 mm	K16/KO3/KO4
50035355222	8-D-0917	BOLT, HEX HEAD, M6 x 1.0-6H x 12 mm	K16/KO3/KO4
50035360293	8-D-2943	BOLT, T/END	K14/K16
50035360328	8-D-1708	BOLT	K26
50035360810	8-D-1116	BOLT, T/END	K14/16
50035505281	8-D-0410	NUT, T/END	K26
50035840900	8-D-1320	SPRING RING	K24
50040720016	8-D-2417	CIRCLIP	KO3/KO4
50040790007	8-D-0919	RETAINING RING	KO3/KO4/KO6/
50080372081	8-D-2555	GASKET RING	KO3
52221090403	8-D-0411	BOLT, C/END	K26
52221270100	8-D-1625	PISTON RING T/E STEP STD	3L/4L
52221270103	8-D-1702	PISTON RING T/END STD	K22K36
52221280202	8-A-0164	LOCKNUT, SHAFT	
52221580501	8-B-0064	O RING, S/PLATE	
52227110002	7-D-1703	SERVICE KIT	3LD/3LDZ
52227110005	7-B-0730	SERVICE KIT	3LD/3LDZ
52231090805	8-D-1346	CLAMP PLATE	K28
52231270102	8-D-0406	PISTON RING C/END STD	K26
52231551001	8-D-0818	JOURNAL BEARING STD	K23/3LEP
52231586500	8-D-3088	GASKET, OIL INLET	K23/K26/K27/K
52237110002	7-D-1358	SERVICE KIT	3LKS
52321270100	8-D-1480	PISTON RING C/END STD DUCTILE	3LD/4L
52321270104	8-D-1701	PISTON RING C/END STD	K32
52327110004	7-B-0640	SERVICE KIT, STEP BORE	4LE/4LF/4LG
53031030802		USE 5303-103-0803	
53031030803	8-D-1963	RETAINING RING, J & T/ BRG	KO3/KO4
53031205002		USE 5303-120-5029	
53031205006		USE 5303-120-5016	
53031205010	2-D-3031	TURBINE WHEEL ASSEMBLY	KO3
53031205012		USE 5303-120-5029	
53031205013		USE 5303-120-5029	
53031205014	2-D-3130	TURBINE WHEEL ASSEMBLY	KO3
53031205015	2-D-3123	TURBINE WHEEL ASSEMBLY	KO3
53031205018		USE 5303-120-5016	
53031205023	2-D-3195	TURBINE WHEEL ASSEMBLY	KO3
53031205027	2-D-3630	TURBINE WHEEL ASSEMBLY	KO3
53031205037	2-D-3195	TURBINE WHEEL ASSEMBLY	KO3
53031232003		USE 5303-123-2011	
53031232004		USE 5303-123-2011	
53031232007	3-D-3517	COMPRESSOR WHEEL	KO3
53031232011	3-D-2276	COMPRESSOR WHEEL, 8 blade,long nose 1870E_A	KO3
53031232016		USE 5303-123-2018	
53031232018	3-D-3124	COMPRESSOR WHEEL	KO3



## CROSS REFERENCE - Borg Warner (KKK) to Turbo International

OEM Part No.	Turbo International Part No.	Description	Turbo Model Application
53031232021	3-D-3558	COMPRESSOR WHEEL, 1875E_E	KO3
53031240001	8-D-2285	THRUST COLLAR0.181"/4.60mm bore	KO3/KO4
53031270100	8-D-1782	PISTON RING C/END STD	KO3/KO4/KO6
53031270500		USE 5303-127-0501	
53031270501	8-D-2283	FLINGER SLEEVE 0.181"/4.60mm bore	KO3/KO4/KO6
53031515700		USE 5303-151-5701	
53031515700	5-D-2572	BACKPLATE C/W bore 1.82"/46.228mm.P/R bore thickness 0.125"/3.18	KO3
53031515701	5-D-2278	BACKPLATE C/W bore 1.82"/46.228mm.P/R bore thickness 0.155"/3.94	KO3
53031551001	8-D-2498	JOURNAL BEARING, dual oil feed, STD	KO3
53031551007	8-D-1816	JOURNAL BEARING, SINGLE OIL FEED, STD	KO4
53031560801	8-D-2472	OIL DEFLECTOR	KO3/KO4
5303158-050		USE 5303-158-0501	
53031580501	8-D-1818	O RING	KO3/KO4
53031652000	6-D-2281	HEAT SHIELD	KO3
53037100500	1-D-2167	CARTRIDGE/CHRA	KO3
53037100501	1-D-2597	CARTRIDGE/CHRA	KO3
53037100502	1-D-2168	CARTRIDGE/CHRA	KO3
53037100503	1-D-3129	CARTRIDGE/CHRA	KO3
53037100504	1-D-3337	CARTRIDGE/CHRA	KO3
53037100505	1-D-3126	CARTRIDGE/CHRA	KO3
53037100506	1-D-3125	CARTRIDGE/CHRA	KO3
53037100507	1-D-3121	CARTRIDGE/CHRA	KO3
53037100507	1-D-3439	CARTRIDGE/CHRA	KO3
53037100508	1-D-3901	CARTRIDGE/CHRA	KO3
53037100509	1-D-3573	CARTRIDGE/CHRA	KO3
53037100511	1-D-3194	CARTRIDGE/CHRA	KO3
53037100513	1-D-3131	CARTRIDGE/CHRA	KO3
53037100514	1-D-3150	CARTRIDGE/CHRA	KO3
53037100515	1-D-3587	CARTRIDGE/CHRA	KO3
53037100516	1-D-3203	CARTRIDGE/CHRA	KO3
53037100517	1-D-3611	CARTRIDGE/CHRA	KO3
53037100518	1-D-3590	CARTRIDGE/CHRA	KO3
53037100519	1-D-3591	CARTRIDGE/CHRA	KO3
53037100521	1-D-3612	CARTRIDGE/CHRA	KO3
53037100523	1-D-3597	CARTRIDGE/CHRA	KO3
53037110000	7-D-1780	SERVICE KIT,MINOR,L & R/HAND THREAD,PLAIN BRG.	KO3/KO4
53037110001	7-D-2520	SERVICE KIT, L/HAND THREAD & GR'VD BRG.	KO3
53041202101		USE 5304-120-2100	
53041205008	2-D-2272	TURBINE WHEEL ASSEMBLY, L/HAND THREAD	KO4
53041205009	2-D-3599	TURBINE WHEEL ASSEMBLY	KO4
53041205010	2-D-2793	TURBINE WHEEL ASSEMBLY, LONG NOSE	KO4
53041205015	2-D-3602	TURBINE WHEEL ASSEMBLY	KO4
53041205018	2-D-3609	TURBINE WHEEL ASSEMBLY	KO4
53041232000	3-D-2558	COMPRESSOR WHEEL,12 blade,short nose,2070GGA	KO3
53041232001		USE 5304-123-2018	
53041232005	3-D-2736	COMPRESSOR WHEEL 2070GGA	KO4
53041232007	3-D-2277	COMPRESSOR WHEEL,12 blade,short nose,2072GAA	KO3/KO4
53041232015	3-D-3603	COMPRESSOR WHEEL	KO4



## CROSS REFERENCE - Borg Warner (KKK) to Turbo International

OEM Part No.	Turbo International Part No.	Description	Turbo Model Application
53041232018	3-D-3196	COMPRESSOR WHEEL	KO3/KO4
53041232023	3-D-3593	COMPRESSOR WHEEL	KO4
53041232029	3-D-3204	COMPRESSOR WHEEL	KO3
53041232032	3-D-3588	COMPRESSOR WHEEL	KO4
53041232201	3-D-3133	COMPRESSOR WHEEL	KO3
53041232202	3-D-3592	COMPRESSOR WHEEL	KO4
53041280200	8-D-2287	LOCKNUT, SHAFT, R/HAND THREAD	KO4
53041285000		USE 5304-128-5003	
53041285001		USE 5304-128-5004	
53041285002		USE 5304-128-5003	
53041285003	8-D-2574	LOCKNUT , SHAFT, L/HAND THREAD 5/16" HEX.	KO3
53041285004	8-D-2288	LOCKNUT, SHAFT, L/HAND THREAD, 3/8" HEX.	KO3/KO4/KO6
53041500000		USE 5304-150-0010	
53041500001		USE 5304-150-0010	
53041500004		USE 5304-150-0011	
53041500004	4-D-2430	BEARING HOUSING, OIL COOLED	KO4
53041500006	4-D-2275	BEARING HOUSING, WATER COOLED	KO3
53041500009	4-D-3336	BEARING HOUSING, WATER COOLED	KO3
53041500010		USE 5304-150-0004	KO3/KO4
53041500011	4-D-2274	BEARING HOUSING, OIL COOLED	KO3/KO4
53041500013		USE 5304-150-0011	KO3/KO4
53041500015	4-D-3604	BEARING HOUSING, WATER COOLED	KO4
53041500016	4-D-3610	BEARING HOUSING, WATER COOLED	KO4
53041500017	4-D-2275	BEARING HOUSING, WATER COOLED	KO3
53041500017	4-D-3614	BEARING HOUSING, WATER COOLED	KO4
53041510003	4-D-3631	BEARING HOUSING, OIL COOLED	KO4
53041510006	4-D-3338	BEARING HOUSING, OIL COOLED	KO3
53041510014	4-D-3631	BEARING HOUSING, OIL COOLED	KO4
53041515700	5-D-2280	BACKPLATE C/W bore 2.016"/51.21mm.P/R bore thickness 0.125"/3.18	KO4
53041515702	5-D-2279	BACKPLATE C/WI bore 2.016"/51.21mm.P/R bore thickness 0.155"/3.94	KO3/KO4
53041515703	5-D-3127	BACKPLATE	KO3/KO4
53041515705	5-D-3122	BACKPLATE	KO3
53041515708	5-D-3605	BACKPLATE	KO4
53041515712	5-D-3132	BACKPLATE	KO3
53041515713	5-D-3128	BACKPLATE	KO3
53041515714	5-D-3589	BACKPLATE	KO4
53041515716	5-D-3633	BACKPLATE	KO4
53041580501	8-D-3175	O RING, B/PLATE	KO3/KO4
53041652000	6-D-2282	HEAT SHIELD	KO4
53047100500	1-D-3095	CARTRIDGE/CHRA	KO4
53047100501	1-D-2170	CARTRIDGE/CHRA	KO4
53047100504	1-D-3632	CARTRIDGE/CHRA	KO4
53047100505	1-D-3615	CARTRIDGE/CHRA	KO4
53047100506	1-D-2169	CARTRIDGE/CHRA	KO4
53047100507	1-D-3601	CARTRIDGE/CHRA	KO4
53047100509	1-D-3607	CARTRIDGE/CHRA	KO4
53047100511	1-D-3608	CARTRIDGE/CHRA	KO4
53047100512	1-D-3606	CARTRIDGE/CHRA	KO4



## CROSS REFERENCE - Borg Warner (KKK) to Turbo International

OEM Part No.	Turbo International Part No.	Description	Turbo Model Application
53141095801	8-D-1034	CLAMP, C/END	K14
53141095802	8-D-1363	CLAMP PLATE	K24
53141095803	8-D-1286	CLAMP, C/END	K14
53141095806	8-D-1035	CLAMP, T/END, 6 mm hole	K14
53141270100	8-D-0923	PISTON RING T/END STD	KO3/KO4/KO6
53141270102	8-D-0923	PISTON RING T/END STD	KO3/KO4/KO6
53141280200	8-D-0920	LOCKNUT, SHAFT, R/HAND THREAD	K14/K16
53141280201	8-D-0920	LOCKNUT, SHAFT, R/HAND THREAD	K14/K16
53141280202	8-D-0920	LOCKNUT, SHAFT, R/HAND THREAD	K14/K16
53141285000	8-D-2373	LOCKNUT, SHAFT, L/HAND THREAD	K14/K16
53141551005	8-D-0910	JOURNAL BEARING STD	K16
53141551300		USE 5314-155-1302	
53141551301		USE 5314-155-1302	
53141551302	8-D-1961	THRUST BEARING, 360°	KO3/O4 & K14/
53141560801	8-D-0914	OIL DEFLECTOR	KO3/KO4/K16
53141560803	8-D-0914	OIL DEFLECTOR	KO3/KO4/K16
53141580500	8-D-1117	O RING, B/HSG, Ø104x2.5mm	K14/16 & KP35
53141580501	8-D-0922	O RING, S/PLATE	K16
53141593300	8-D-1118	WASHER, SEAL PLATE	K14/16
53147110006		USE 5314-711-0010	
53147110007	7-D-1168	SERVICE KIT less clamps	K14
53147110008		USE 5314-155-1005	
53147110010	7-D-1168	SERVICE KIT less clamps	K14/K16
53147110014		USE 5314-711-0007	
53147110016	7-D-1168	SERVICE KIT less clamps	K14/K16
53147110022	7-D-1148	SERVICE KIT less clamps	K14/K16/K24
53161095801	8-D-0915	CLAMP PLATE, C/END	K16
53161095805	8-D-0913	CLAMP PLATE, T/END	K16
53161095807	8-D-0913	CLAMP PLATE, T/END	K16
53161095810	8-D-0913	CLAMP	K16
53161580500	8-D-0921	O RING, C/END	K16
53161580501	8-D-2941	O RING, C/END	K14/K16
53167110002	7-D-1168	SERVICE KIT less clamps	K14/K16
53167110019	7-D-1148	SERVICE KIT less clamps	K14/K16/K24
53167110020	7-D-1148	SERVICE KIT less clamps	K14/K16/K24
53241095800	8-D-1317	CLAMP PLATE, C/END	K24
53241095803	8-D-1363	CLAMP PLATE	K24
53241270401	8-D-3116	FLINGER SLEEVE	K14/K24
53241560800	8-D-1323	OIL DEFLECTOR	K24
53241580500	8-D-1125	O RING	K24
53241580501	8-D-1125	O RING, S/PLATE	K16
53247110001	7-D-1327	SERVICE KIT	K24
53247110008		USE 5324-711-0023	
53247110009	7-D-1328	SERVICE KIT less clamps	K16/K24
53247110020	7-D-1328	SERVICE KIT less clamps	K16/K24
53247110021	7-D-1328	SERVICE KIT less clamps	K16/K24
53247110023	7-D-0669	SERVICE KIT less clamps	K24/K26K27/K
53247110025	7-D-0669	SERVICE KIT less clamps	K24/K26K27/K



## CROSS REFERENCE - Borg Warner (KKK) to Turbo International

OEM Part No.	Turbo International Part No.	Description	Turbo Model Application
53247110026		USE 5324-711-0009	
53261095804	8-D-1318	CLAMP PLATE, T/END	K24
53261240000	8-D-1586	THRUST RING	K26
53261270101	8-D-0668	PISTON RING LARGE T/END STD	K26
53261270102	8-D-0668	PISTON RING T/END STD	K14/K16
53261270103	8-D-0406	PISTON RING C/END & T/END STD	K24
53261270402	8-D-1524	OIL FLINGER	K26
53261270500	8-D-1361	SPACER SLEEVE	K26
53261280210	8-D-1707	LOCKNUT, SHAFT, R/HAND THREAD	K26
53261285000	8-D-2273	LOCKNUT, SHAFT, L/HAND THREAD	K26/K27
53261551001	8-D-0670	JOURNAL BEARING STD	K26
53261551003	8-D-0670	JOURNAL BEARING STD	K26
53261551005	8-D-0392	JOURNAL BEARING STD	K26
53261551007	8-D-0392	JOURNAL BEARING STD	K26
53261551303	8-D-0403	THRUST BEARING	K26
53261551305	8-D-1706	THRUST BEARING E1360	K26
53261560800	8-D-0413	OIL SHIELD	K26
53261570400	8-A-0149	RETAINING RING, J/BRG	K26
53261580500	8-D-0407	O RING, C/END	K26
53267110001	7-D-0669	SERVICE KIT	K26
53267110005		USE 5327-711-0008	
53267110010	7-D-0666	SERVICE KIT less clamps	K26
53267110012		USE 5327-711-0008	
53267110015	7-D-0669	SERVICE KIT less clamps	K24/K26K27/K
53267110019		USE 5327-711-0008	
53267110021	7-D-0666	SERVICE KIT less clamps	K26
53267110023	7-D-1705	SERVICE KIT less clamps	K26/K27
53267110024	7-D-0669	SERVICE KIT less clamps	K24/K26K27/K
53267110025	7-D-0669	SERVICE KIT less clamps	K24/K26K27/K
53267110027	7-D-0669	SERVICE KIT less clamps	K24/K26K27/K
53267110028	7-D-0669	SERVICE KIT less clamps	K24/K26K27/K
53267110029	7-D-0669	SERVICE KIT less clamps	K24/K26K27/K
53267110036		USE 5326-711-0021	
53267110037		USE 5326-711-0015	
53267110038	7-D-0669	SERVICE KIT less clamps	K24/K26K27/K
53267110039		USE 5327-711-0053	
53267110044		USE 5326-711-0042	
53267110047	7-D-1866	SERVICE KIT less clamps	K24/K26/K27/K
53267110048	7-D-1866	SERVICE KIT less clamps	K24/K26/K27/K
53267110050	7-D-1866	SERVICE KIT less clamps	K24/K26/K27/K
53267110051	7-D-2944	SERVICE KIT less clamps	K26/K27
53271090400	8-D-1325	BOLT, T/END	K24
53271095803	8-D-1341	CLAMP PLATE	K27
53271270100	8-D-0668	PISTON RING	K24
53271270102	8-D-0668	PISTON RING T/END LARGE STD	K26
53271285001	8-D-2273	LOCKNUT, SHAFT, L/HAND THREAD	K26/K27
53271580500	8-D-1337	O RING	K27
53271580501	8-D-1373	O RING	K24/K26





## CROSS REFERENCE - Borg Warner (KKK) to Turbo International

OEM Part No.	Turbo International Part No.	Description	Turbo Model Application
53277110000		USE 5327-711-0008	
53277110001	7-D-0669	SERVICE KIT less clamps	K24/K26K27/K
53277110004	7-D-0669	SERVICE KIT less clamps	K24/K26K27/K
53277110007		USE 5327-711-0008	
53277110008	7-D-0669	SERVICE KIT less clamps	K24/K26K27/K
53277110010	7-D-0669	SERVICE KIT less clamps	K24/K26K27/K
53277110017	7-D-1840	SERVICE KIT, K27	K27
53277110018	7-D-0669	SERVICE KIT less clamps	K24/K26K27/K
53277110020	7-D-0669	SERVICE KIT less clamps	K24/K26K27/K
53277110021	7-D-0669	SERVICE KIT less clamps	K24/K26K27/K
53277110022		USE 5327-711-0053	
53277110023	7-D-1705	SERVICE KIT less clamps	K26/K27
53277110024		USE 5326-711-0029	
53277110028		USE 5326-711-0029	
53277110029	7-D-1429	SERVICE KIT	K27
53277110030	7-D-0669	SERVICE KIT less clamps	K24/K26K27/K
53277110032		USE 5326-711-0015	
53277110040	7-D-0669	SERVICE KIT less clamps	K24/K26K27/K
53277110048		USE 5327-711-0070	
53277110050		USE 5327-711-0055	
53277110053	7-D-1705	SERVICE KIT less clamps	K26/K27
53277110055	7-D-1705	SERVICE KIT less clamps	K26/K27
53277110061	7-D-0669	SERVICE KIT less clamps	K24/K26K27/K
53277110070	7-D-2944	SERVICE KIT less clamps	K26/K27
53281580500	8-D-1352	O RING	K28
53281593300	8-D-1516	WASHER	K26
53287110000	7-D-1355	SERVICE KIT	K28
53287110002	7-D-1355	SERVICE KIT	K28
53287110009	7-D-0669	SERVICE KIT less clamps	K24/K26K27/K
54311240000	8-D-3547	THRUST RING, KP35	KP35
54311270102	8-D-3636	PISTON RING, T/END, STD.	KP31/35/39/BV
54311270402	8-D-3549	FLINGER SLEEVE, KP35, 12.6mm TALL	KP35
54311270405	8-D-3628	FLINGER SLEEVE, KP35, 9.8mm TALL	KP35
54311285000	8-D-3553	LOCKNUT, SHAFT, M4 x 0.5, LH	KP35
54311285001	8-D-3553	LOCKNUT, SHAFT, M4 x 0.5, LH	KP35
54311285002	8-D-3553	LOCKNUT, SHAFT, M4 x 0.5, LH	KP35
54311551002	8-D-3546	JOURNAL BEARING, KP35, STD/STD	KP35
54311551301	8-D-3548	THRUST BEARING, KP35	KP35
54311580501	8-D-3550	O RING $\varnothing$ 1.280"X.059"	KP35
54311580502	8-D-3618	O RING, SEAL PLATE, $\varnothing$ 63 X 1.5	KP31
54351580501	8-D-3619	O RING, SEAL PLATE, $\varnothing$ 92 X 2.5	KP35
54391580500	8-D-3617	O RING, SEAL PLATE, $\varnothing$ 76 X 1.5	KP39
56361095300	8-D-1319	NUT	K24
58061115806	8-D-2554	CONNECTING ADAPTOR	KO3
59001090400	8-D-0918	BOLT, HEX HEAD, M6 x 1.0-6H x 10 mm	KO3/KO4/K16
59001174500	8-D-3552	BOLT, M3 x 0.5	KP35
59001174501	8-D-3555	HEX BOLT, M6 x 1.0	KP35
59001174507	8-D-3552	BOLT, M3 x 0.5	KP35





## CROSS REFERENCE - Borg Warner (KKK) to Turbo International

OEM Part No.	Turbo International Part No.	Description	Turbo Model Application
59001290200	8-D-0916	BOLT	K16
59001290201	8-D-0412	BOLT, B/HOUSING	K26
59001290202	8-D-0916	BOLT, SOCKET HEAD, S/PLATE, M5 x 13	K16



This page has been intentionally left blank



## CARTRIDGE/CHRA - Borg Warner (KKK)

by Vehicle Manufacturer

Manufacturer/Model	Manf'r Part No	Fuel	Turbo Part No	Cart/CHRA Part No	TI Part No	Cooling	Year	Engine
<b>AUDI</b>								
80 TD	028145701R	G	5303-988-0003	5303-710-0500	1-D-2167	Oil	1994	1.9L
A3 1.8T	06A145704A	G	5303-988-0026	5304-710-0504	1-D-3337	Water	1996,99	1.8L
A3 1.8T	06A145704T	G	5303-988-0052	5303-710-0516	1-D-3203	Water	2000	1.8L
A3 1.8T	06A145713D	G	5303-988-0052	5303-710-0516	1-D-3203	Water	2001	1.8L
A3 1.8T	06A145704T	G	5303-988-0053	5303-710-0516	1-D-3203	Water	2000	1.8L
A3 TDI	038145701D	D	5303-988-0015	5303-710-0501	1-D-2597	Oil	1996	1.9L
A4	028145701R	G	5303-988-0003	5303-710-0500	1-D-2167	Oil	1996	1.9L
A4/A6 1.8T	58145703H	G	5303-988-0005	5303-710-0502	1-D-2168	Water	1996	1.8L
A4/A6 1.8T	58145703L	G	5303-988-0005	5303-710-0502	1-D-2168	Water	1998	1.8L
A4/A6 1.8T	58145703E	G	5303-988-0005	5303-710-0502	1-D-2168	Water	1996	1.8L
A4/A6 1.8T	58145703C	G	5303-988-0005	5303-710-0502	1-D-2168	Water	1995	1.8L
A4/A6 1.8T	058145703K	G	5303-988-0025	5303-710-0511	1-D-3194	Water	1999	1.8L
A4/A6 1.8T	058145703J	G	5303-988-0029	5303-710-0511	1-D-3194	Water	1999	1.8L
A6		G	5303-988-0016	5303-710-0509	1-D-3573	Water	1997-98	2.67L
A6		G	5303-988-0017	5303-710-0509	1-D-3573	Water	1997-98	2.67L
A6/allroad		G	5303-988-0016	5303-710-0509	1-D-3573	Water	2000-02	2.67L
Allroad		G	5303-988-0017	5303-710-0509	1-D-3573	Water	2000-02	2.67L
RS6 4.2-V8	077145703P	G	5304-988-0028	5304-710-0512	1-D-3606	Water	2002	4.2L
RS6 4.2-V8	077145704K	G	5304-988-0029	5304-710-0512	1-D-3606	Water	2002	4.2L
S3 1.8	06A145704M	G	5304-988-0020	5304-710-0507	1-D-3601	Water	1999	1.8L
S3 1.8	06A145704P	G	5304-988-0022	5304-710-0507	1-D-3601	Water	1999	1.8L
S3 1.8	06A145704Q	G	5304-988-0023	5304-710-0507	1-D-3601	Water	2000	1.8L
S4		G	5303-988-0016	5303-710-0509	1-D-3573	Water	1997-2000	2.67L
S4		G	5303-988-0017	5303-710-0509	1-D-3573	Water	1997-2000	2.67L
TT	06A145704A	G	5303-988-0035	5304-710-0504	1-D-3337	Water	1998	1.8L
TT	06A145713D	G	5303-988-0052	5303-710-0516	1-D-3203	Water	2001	1.8L
TT	06A145704T	G	5303-988-0052	5303-710-0516	1-D-3203	Water	2000	1.8L
TT 1.8	06A145704M	G	5304-988-0020	5304-710-0507	1-D-3601	Water	1999	1.8L
TT 1.8	06A145704P	G	5304-988-0022	5304-710-0507	1-D-3601	Water	1999	1.8L
TT 1.8	06A145704Q	G	5304-988-0023	5304-710-0507	1-D-3601	Water	2000	1.8L
<b>AVIA</b>								
Vehicle		D	5304-988-0016	5304-710-0504	1-D-3632	Oil	1996	3.6L
<b>BAJAJ</b>								
Passenger Car	-	D	5304-988-0012	5304-710-0501	1-D-2170	Oil	1995	2.4L
<b>BMC</b>								
Levend		D	5303-988-0008	5303-710-0518	1-D-3590	Oil	1998-2001	1.8L
<b>CHRYSLER</b>								
Voyager	35242037F	D	5304-988-0002	5304-710-0501	1-D-2170	Oil	1992	2.5L
<b>CITROEN</b>								
C5 HDI	9632124680	D	5303-988-0024	5303-710-0506	1-D-3125	Oil	2001	2.0L
C5 HDI	0375C9,0375F5	D	5303-988-0024	5303-710-0506	1-D-3125	Oil	2001	2.0L
C5 HDI	0375C9,0375F5	D	5303-988-0024	5303-710-0514	1-D-3150	Oil	2001	2.0L
C5 HDI	9632124680	D	5303-988-0024	5303-710-0514	1-D-3150	Oil	2001	2.0L
C5 HDI	9640168280	D	5303-988-0050	5303-710-0514	1-D-3150	Oil	2001	2.0L
Jumper	9636473280	D	5303-988-0061	5303-710-0514	1-D-3150	Oil	2001	2.0L
Jumper		D	5303-988-0062	5303-710-0520	1-D-3594	Oil	2001	2.2L
Jumper 2.8 HDI	500364493	D	5303-988-0054	5303-710-0513	1-D-3131	Oil	2001	2.8L
Xantia HDI	9633382180	D	5303-988-0009	5303-710-0506	1-D-3125	Oil	1999	2.0L
Xantia HDI	9633382180	D	5303-988-0009	5303-710-0514	1-D-3150	Oil	1999	2.0L



## CARTRIDGE/CHRA - Borg Warner (KKK)

by Vehicle Manufacturer

Manufacturer/Model	Manf'r Part No	Fuel	Turbo Part No	Cart/CHRA Part No	TI Part No	Cooling	Year	Engine
Xantia HDI	0375A6	D	5303-988-0018	5303-710-0506	1-D-3125	Oil	1998	2.0L
Xantia HDI	9632427880	D	5303-988-0018	5303-710-0506	1-D-3125	Oil	1998	2.0L
Xantia HDI	9632427880	D	5303-988-0018	5303-710-0514	1-D-3150	Oil	1998	2.0L
Xantia HDI	0375A6	D	5303-988-0018	5303-710-0514	1-D-3150	Oil	1998	2.0L
Xantia HDI	9632406680	D	5303-988-0023	5303-710-0506	1-D-3125	Oil	1999	2.0L
Xantia HDI	963240668	D	5303-988-0023	5303-710-0514	1-D-3150	Oil	1999	2.0L
Xantia HDI	9632124680	D	5303-988-0024	5303-710-0506	1-D-3125	Oil	1999	2.0L
Xantia HDI	0375C9,0375F5	D	5303-988-0024	5303-710-0506	1-D-3125	Oil	1999	2.0L
Xantia HDI	0375C9,0375F5	D	5303-988-0024	5303-710-0514	1-D-3150	Oil	1999	2.0L
Xantia HDI	9632124680	D	5303-988-0024	5303-710-0514	1-D-3150	Oil	1999	2.0L
Xsara	0375C7	D	5303-988-0028	5303-710-0505	1-D-3126	Oil	1998	1.9L
Xsara	9635220680	D	5303-988-0028	5303-710-0505	1-D-3126	Oil	1998	1.9L
Xsara HDI	9632406680	D	5303-988-0023	5303-710-0506	1-D-3125	Oil	1999	2.0L
Xsara HDI	963240668	D	5303-988-0023	5303-710-0514	1-D-3150	Oil	1999	2.0L
Xsara HDI	9640873380	D	5303-988-0056	5303-710-0514	1-D-3150	Oil	2000	2.0L
Xsara HDI	9640355080	D	5303-988-0057	5303-710-0514	1-D-3150	Oil	2002	2.0L
ZX Xantia	9619991180	D	5304-988-0011	5304-710-0502	1-D-3598	Oil	1996	1.9L
ZX XUD9BSD	0375C0	D	5304-988-0013	5304-710-0505	1-D-3615	Oil	1998-00	1.9L
<b>FIAT</b>								
Ducato	9636473280	D	5303-988-0061	5303-710-0514	1-D-3150	Oil	2001	2.0L
Ducato 2.8 JTD	500364493	D	5303-988-0054	5303-710-0513	1-D-3131	Oil	2001	2.8L
<b>FORD</b>								
Galaxy	028145701J	D	5303-988-0006	5303-710-0501	1-D-2597	Oil	1995	1.9L
Transit	954F6K682AD	D	5304-988-0006	5304-710-0500	1-D-3095	Oil	1994	2.5DI
Transit	974F6K682AF	D	5304-988-0008	5304-710-0500	1-D-3095	Oil	1996	2.5DI
Transit	974F6K682AF	D	5304-988-0017	5304-710-0500	1-D-3095	Oil	1999	2.5DI
Transit -	984F6K682AF/AG	D	5304-988-0017	5304-710-0506	1-D-2169	Oil	1999	2.5L
Transit FT 190	984F6K682AF	D	5304-988-0001	5304-710-0500	1-D-3095	Oil	1991	2.5DI
<b>IVECO-SOFIM</b>								
Daily 2.3 TD	504014911	D	5303-988-0066	5303-710-0519	1-D-3591	Oil	2002	2.3L
Daily 2.3 TD	504071262	D	5303-988-0089	5303-710-0519	1-D-3591	Oil	2003	2.3L
Daily 2.8 TD	500335369	D	5303-988-0034	5303-710-0513	1-D-3131	Oil	1999	2.8L
Daily 2.8 TD	500358190	D	5303-988-0037	5303-710-0513	1-D-3131	Oil	1999	2.8L
Daily 2.8 TD	500335369	D	5303-988-0075	5303-710-0523	1-D-3597	Oil	2003	2.8L
Daily 2.8 TD	500358190	D	5303-988-0076	5303-710-0523	1-D-3597	Oil	2003	2.8L
Ducato 2.3 TD	504014915	D	5303-988-0067	5303-710-0519	1-D-3591	Oil	2001	2.3L
Ducato 2.3 TD	504070186	D	5303-988-0090	5303-710-0519	1-D-3591	Oil	2003	2.3L
Passenger Car	504078436	D	5303-988-0078	5303-710-0519	1-D-3591	Oil	N/A	2.3L
Road Sweeper	504016280	D	5303-988-0071	5303-710-0513	1-D-3131	Oil	2001	2.8L
Road Sweeper	504016280	D	5303-988-0071	5303-710-0523	1-D-3597	Oil	2001	2.8L
Road Sweeper	504016279	D	5303-988-0072	5303-710-0513	1-D-3131	Oil	2001	2.8L
<b>MERCEDES</b>								
Vito 110D/V	6010960299	D	5303-988-0007	5303-710-0503	1-D-3129	Oil	1995	2.3L
Vito 110D/V	6010960299	D	5303-988-0020	5303-710-0503	1-D-3129	Oil	1996	2.3L
Vito 110D/V	6010960299	D	5303-988-0020	5303-710-0508	1-D-3901	Oil	1996	2.3L
<b>OPEL</b>								
Astra Coupe	90423508	G	5304-988-0024	5304-710-0511	1-D-3608	Oil	2000	2.0L
Movano 2.5 DT11	8200036999	D	5303-988-0055	5303-710-0517	1-D-3611	Oil	2001	2.5L
Movano 2.8 DTI	99462607	D	5303-988-0034	5303-710-0513	1-D-3131	Oil	1999	2.8L
Movano 2.8 DTI	99462607	D	5303-988-0075	5303-710-0523	1-D-3597	Oil	1999	2.8L
Zafira OPC	90423508	G	5304-988-0024	5304-710-0511	1-D-3608	Oil	2000	2.0L



## CARTRIDGE/CHRA - Borg Warner (KKK)

by Vehicle Manufacturer

Manufacturer/Model	Manf'r Part No	Fuel	Turbo Part No	Cart/CHRA Part No	TI Part No	Cooling	Year	Engine
<b>PEUGEOT</b>								
206 2.0 HDI	9633382180	D	5303-988-0009	5303-710-0506	1-D-3125	Oil	1999	2.0L
206 2.0 HDI	9633382180	D	5303-988-0009	5303-710-0514	1-D-3150	Oil	1999	2.0L
206 HDI	9640355080	D	5303-988-0057	5303-710-0514	1-D-3150	Oil	2000	2.0L
306	9633647480	D	5303-988-0010	5303-710-0505	1-D-3126	Oil	1998	1.9L
306	0375C6,037594	D	5303-988-0010	5303-710-0505	1-D-3126	Oil	1998	1.9L
306 HDI	9632406680	D	5303-988-0023	5303-710-0506	1-D-3125	Oil	1999	2.0L
306 HDI	963240668	D	5303-988-0023	5303-710-0514	1-D-3150	Oil	1999	2.0L
306 XUD9BSD	9633828080	D	5304-988-0013	5304-710-0505	1-D-3615	Oil	1998	1.9L
306, 405	037590	D	5304-988-0011	5304-710-0502	1-D-3598	Oil	1996	1.9L
307 HDI	9640355080	D	5303-988-0057	5303-710-0514	1-D-3150	Oil	2000	2.0L
406 HDI	0375C8	D	5303-988-0009	5303-710-0506	1-D-3125	Oil	1999	2.0L
406 HDI	962252698	D	5303-988-0009	5303-710-0506	1-D-3125	Oil	1999	2.0L
406 HDI	9622526980	D	5303-988-0009	5303-710-0514	1-D-3150	Oil	1999	2.0L
406 HDI	0375C8	D	5303-988-0009	5303-710-0514	1-D-3150	Oil	1999	2.0L
406 HDI	0375A6	D	5303-988-0015	5303-710-0506	1-D-3125	Oil	1998	2.0L
406 HDI	9632427880	D	5303-988-0018	5303-710-0506	1-D-3125	Oil	1998	2.0L
406 HDI	9632427880	D	5303-988-0018	5303-710-0514	1-D-3150	Oil	1998	2.0L
406 HDI	0375A6	D	5303-988-0018	5303-710-0514	1-D-3150	Oil	1998	2.0L
406 HDI	0375C9,0375F5	D	5303-988-0024	5303-710-0506	1-D-3125	Oil	1999	2.0L
406 HDI	9632124680	D	5303-988-0024	5303-710-0506	1-D-3125	Oil	1999	2.0L
406 HDI	0375C9,0375F5	D	5303-988-0024	5303-710-0514	1-D-3150	Oil	1999	2.0L
406 HDI	9632124680	D	5303-988-0024	5303-710-0514	1-D-3150	Oil	1999	2.0L
406 HDI	9640168280	D	5303-988-0050	5303-710-0514	1-D-3150	Oil	2001	2.0L
607 HDI	9640168280	D	5303-988-0050	5303-710-0514	1-D-3150	Oil	2001	2.0L
Boxer	9636473280	D	5303-988-0061	5303-710-0514	1-D-3150	Oil	2001	2.0L
Boxer		D	5303-988-0062	5303-710-0520	1-D-3594	Oil	2001	2.2L
Boxer 2.8 HDI	500364493	D	5303-988-0054	5303-710-0513	1-D-3131	Oil	2001	2.8L
<b>RENAULT</b>								
Clio 1.9 TDI	7700115414	D	5303-988-0038	5303-710-0507	1-D-3121	Oil	1999	1.9L
Clio 1.9dTi, Kangoo 1.9dTi		D	5303-988-0038	5303-710-0507	1-D-3439	Oil	1999	1.87L
Espace 1.9 TDI	7700108948	D	5303-988-0014	5303-710-0507	1-D-3121	Oil	2000	1.9L
Espace 1.9dTi		D	5303-988-0014	5303-710-0507	1-D-3439	Oil	2000	1.87L
Kangoo 1.9 DTI	7700115414	D	5303-988-0038	5303-710-0507	1-D-3121	Oil	1999	1.9L
Laguna 1.9 DCI	8200084399	D	5303-988-0048	5303-710-0515	1-D-3587	Oil	2001	1.9L
Laguna 1.9 DTI	7700108948	D	5303-988-0014	5303-710-0507	1-D-3121	Oil	1998	1.9L
Laguna 1.9dTi		D	5303-988-0014	5303-710-0507	1-D-3439	Oil	1996	1.87L
Master 1.9 DTI	7700315460	D	5303-988-0047	5303-710-0507	1-D-3121	Oil	2000	1.9L
Master 1.9dTi		D	5303-988-0038	5303-710-0507	1-D-3439	Oil	2000	1.87L
Master 2.5 DCI	8200036999	D	5303-988-0055	5303-710-0517	1-D-3611	Oil	2001	2.5L
Master 2.5 DCI	8200036999	D	5303-988-0055	5303-710-0517	1-D-3611	Oil	2001	2.5L
Master 2.8 DTI	99462607	D	5303-988-0034	5303-710-0513	1-D-3131	Oil	1999	2.8L
Master 2.8 DTI	99462607	D	5303-988-0075	5303-710-0523	1-D-3597	Oil	1999	2.8L
Master 2.8 DTI	99762607	D	5303-988-0075	5303-710-0523	1-D-3597	Oil	1999	2.8L
Megane 1.9 DCI	8200084399	D	5303-988-0048	5303-710-0515	1-D-3587	Oil	2001	1.9L
Megane 1.9 DTI	7700115414	D	5303-988-0014	5303-710-0507	1-D-3121	Oil	1997	1.9L
Megane 1.9dTi		D	5303-988-0014	5303-710-0507	1-D-3439	Oil	1997	1.87L
Scenic 1.9 DCI	8200084399	D	5303-988-0048	5303-710-0515	1-D-3587	Oil	2001	1.9L
<b>SEAT</b>								
Alhambra 1.8T	06A145703C	G	5303-988-0022	5303-710-0502	1-D-2168	Water	1998	1.8L
Alhambra 1.8T	06A145704H	G	5303-988-0049	5303-710-0511	1-D-3194	Water	2000	1.8L



## CARTRIDGE/CHRA - Borg Warner (KKK)

by Vehicle Manufacturer

Manufacturer/Model	Manf'r Part No	Fuel	Turbo Part No	Cart/CHRA Part No	TI Part No	Cooling	Year	Engine
Alhambra TDI	028145701J	D	5303-988-0006	5303-710-0501	1-D-2597	Oil	1995	1.9L
Cordoba		D	5303-988-0003	5303-710-0500	1-D-2167	Oil	1993	1.9L
Ibiza Cupra 1.8T		G	5303-988-0011	5303-710-0504	1-D-3337	Water	1999	1.78L
Ibiza TD	028145701R	D	5303-988-0003	5303-710-0500	1-D-2167	Oil	1993	1.9L
Leon 1.8T	06A145713D	G	5303-988-0052	5303-710-0516	1-D-3203	Water	2001	1.8L
Leon 1.8T	06A145704T	G	5303-988-0052	5303-710-0516	1-D-3203	Water	2000	1.8L
Toledo	028145701R	D	5303-988-0003	5303-710-0500	1-D-2167	Oil	1993	1.9L
Toledo TDI	028145701J	D	5303-988-0006	5303-710-0501	1-D-2597	Oil	1995	1.9L
Toledo/Leon TDI	038145701D	D	5303-988-0015	5303-710-0501	1-D-2597	Oil	1996	1.9L

### SKODA

Octavia 1.8T		G	5303-988-0011	5303-710-0504	1-D-3337	Water	1998	1.78L
Octavia 1.8T	06A145704T	G	5303-988-0052	5303-710-0516	1-D-3203	Water	2000	1.8L
Octavia 1.8T	06A145713D	G	5303-988-0052	5303-710-0516	1-D-3203	Water	2001	1.8L
Octavia 1.8T	06A145704T	G	5303-988-0053	5303-710-0516	1-D-3203	Water	2000	1.8L
Octavia TDI	038145701D	D	5303-988-0015	5303-710-0501	1-D-2597	Oil	1996	1.9L

### STEYR

M14		D	5304-988-0019	5304-710-0509	1-D-3607	Oil	1998	2.13L
-----	--	---	---------------	---------------	----------	-----	------	-------

### SUZUKI

Baleno	ZY34026857	D	5304-988-0021	5304-710-0502	1-D-3598	Oil	1998	1.9L
Grand Vitara	ZY34027010	D	5303-988-0051	5303-710-0514	1-D-3150	Oil	2000	2.0L
Vitara	ZY34027308	D	5303-988-0063	5303-710-0514	1-D-3150	Oil	2001	2.0L

### TATA

Sierra Pick-Up	254714510104	D	5304-988-0007	5304-710-0501	1-D-2170	Oil	1994	2.0L
Sierra Pick-Up		D	5304-988-0007	5304-710-0509	1-D-3607	Oil	1994	1.95L

### VM

Chrysler Voyager	35242037F	D	5304-988-0002	5304-710-0501	1-D-2170	Oil	1992	2.5L
Pick-up	35242042F	D	5304-988-0003	5304-710-0501	1-D-2170	Oil	1992	2.5L

### VOLKSWAGEN

Gol/Bora 1.8T	06A145704T	G	5303-988-0053	5303-710-0516	1-D-3203	Water	2000	1.8L
Golf III TDI	028145701J	D	5303-988-0006	5303-710-0501	1-D-2597	Oil	1993	1.9L
Golf III/Vento TD	028145701R	D	5303-988-0003	5303-710-0500	1-D-2167	Oil	1993	1.9L
Golf IV 1.8T, Bora 1.8T		G	5303-988-0011	5303-710-0504	1-D-3337	Water	1996	1.78L
Golf IV/Bora/New Beetle T	038145701D	D	5303-988-0015	5303-710-0501	1-D-2597	Oil	1997	1.9L
Golf/Bora/Jetta 1.8	06A145704T	G	5303-988-0052	5303-710-0516	1-D-3203	Water	2000	1.8L
Golf/Bora/Jetta 1.8	06A145713D	G	5303-988-0052	5303-710-0516	1-D-3203	Water	2001	1.8L
New Beetle 1.8T		G	5303-988-0011	5303-710-0504	1-D-3337	Water	1999	1.78L
New Beetle 1.8T	06A145713B	G	5303-988-0058	5303-710-0516	1-D-3203	Water	2000	1.8L
Passat 1.8T	58145703L	G	5303-988-0005	5303-710-0502	1-D-2168	Water	1998	1.8L
Passat 1.8T	58145703C	G	5303-988-0005	5303-710-0502	1-D-2168	Water	1995	1.8L
Passat 1.8T	58145703H	G	5303-988-0005	5303-710-0502	1-D-2168	Water	1996	1.8L
Passat 1.8T	58145703E	G	5303-988-0005	5303-710-0502	1-D-2168	Water	1996	1.8L
Passat 1.8T	058145703K	G	5303-988-0025	5303-710-0511	1-D-3194	Water	1999	1.8L
Passat 1.8T	058145703J	G	5303-988-0029	5303-710-0511	1-D-3194	Water	1999	1.8L
Passat III TD	028145701R	D	5303-988-0003	5303-710-0500	1-D-2167	Oil	1993	1.9L
Passat TDI	028145701J	D	5303-988-0006	5303-710-0501	1-D-2597	Oil	1993	1.9L
Sharan 1.8T	06A145703C	G	5303-988-0022	5303-710-0502	1-D-2168	Water	1997	1.8L
Sharan 1.8T	06A145704H	G	5303-988-0049	5303-710-0511	1-D-3194	Water	2000	1.8L
Sharan TDI	028145701J	D	5303-988-0006	5303-710-0501	1-D-2597	Oil	1993	1.9L
Sharan TDI	28253019	D	5303-988-0015	5303-710-0501	1-D-2597	Oil	1999	1.9L
Vento TD		D	5303-988-0003	5303-710-0500	1-D-2167	Oil	1993	1.6L



## CARTRIDGE/CHRA - Borg Warner (KKK)

by Vehicle Manufacturer

Manufacturer/Model	Manf'r Part No	Fuel	Turbo Part No	Cart/CHRA Part No	TI Part No	Cooling	Year	Engine
<b>YEUTYAN</b>								
Pick-Up	35242042F	D	5304-988-0003	5304-710-0501	1-D-2170	Oil	1992	3.0L

NOTE: TRANSIT Turbine wheel tip height ("B" on Major Components) 0.311"/7.90mm on early models to 1997, 0.245"/6.22mm on later models.





## CARTRIDGE/CHRA - Borg Warner (KKK)

by Turbo Part Number

Turbo Part No	Cart/CHRA Part No	Cooling	TI Part No	Manufacturer	Manf'r Part No	Vehicle Model	Year	Engine	Fuel
5303-988-0003	5303-710-0500	Oil	1-D-2167	AUDI	028145701R	80 TD	1994	1.9L	G
5303-988-0003	5303-710-0500	Oil	1-D-2167	AUDI	028145701R	A4	1996	1.9L	G
5303-988-0003	5303-710-0500	Oil	1-D-2167	SEAT		Cordoba	1993	1.9L	D
5303-988-0003	5303-710-0500	Oil	1-D-2167	SEAT	028145701R	Ibiza TD	1993	1.9L	D
5303-988-0003	5303-710-0500	Oil	1-D-2167	SEAT	028145701R	Toledo	1993	1.9L	D
5303-988-0003	5303-710-0500	Oil	1-D-2167	VOLKSWAGEN	028145701R	Golf III/Vento TD	1993	1.9L	D
5303-988-0003	5303-710-0500	Oil	1-D-2167	VOLKSWAGEN	028145701R	Passat III TD	1993	1.9L	D
5303-988-0003	5303-710-0500	Oil	1-D-2167	VOLKSWAGEN		Vento TD	1993	1.6L	D
5303-988-0005	5303-710-0502	Water	1-D-2168	AUDI	58145703C	A4/A6 1.8T	1995	1.8L	G
5303-988-0005	5303-710-0502	Water	1-D-2168	AUDI	58145703E	A4/A6 1.8T	1996	1.8L	G
5303-988-0005	5303-710-0502	Water	1-D-2168	AUDI	58145703H	A4/A6 1.8T	1996	1.8L	G
5303-988-0005	5303-710-0502	Water	1-D-2168	AUDI	58145703L	A4/A6 1.8T	1998	1.8L	G
5303-988-0005	5303-710-0502	Water	1-D-2168	VOLKSWAGEN	58145703C	Passat 1.8T	1995	1.8L	G
5303-988-0005	5303-710-0502	Water	1-D-2168	VOLKSWAGEN	58145703H	Passat 1.8T	1996	1.8L	G
5303-988-0005	5303-710-0502	Water	1-D-2168	VOLKSWAGEN	58145703E	Passat 1.8T	1996	1.8L	G
5303-988-0005	5303-710-0502	Water	1-D-2168	VOLKSWAGEN	58145703L	Passat 1.8T	1998	1.8L	G
5303-988-0006	5303-710-0501	Oil	1-D-2597	FORD	028145701J	Galaxy	1995	1.9L	D
5303-988-0006	5303-710-0501	Oil	1-D-2597	SEAT	028145701J	Alhambra TDI	1995	1.9L	D
5303-988-0006	5303-710-0501	Oil	1-D-2597	SEAT	028145701J	Toledo TDI	1995	1.9L	D
5303-988-0006	5303-710-0501	Oil	1-D-2597	VOLKSWAGEN	028145701J	Golf III TDI	1993	1.9L	D
5303-988-0006	5303-710-0501	Oil	1-D-2597	VOLKSWAGEN	028145701J	Passat TDI	1993	1.9L	D
5303-988-0006	5303-710-0501	Oil	1-D-2597	VOLKSWAGEN	028145701J	Sharan TDI	1993	1.9L	D
5303-988-0007	5303-710-0503	Oil	1-D-3129	MERCEDES	6010960299	Vito 110D/V	1995	2.3L	D
5303-988-0008	5303-710-0518	Oil	1-D-3590	BMC		Levend	1998-2001	1.8L	D
5303-988-0009	5303-710-0506	Oil	1-D-3125	CITROEN	9633382180	Xantia HDI	1999	2.0L	D
5303-988-0009	5303-710-0506	Oil	1-D-3125	PEUGEOT	9633382180	206 2.0 HDI	1999	2.0L	D
5303-988-0009	5303-710-0506	Oil	1-D-3125	PEUGEOT	962252698	406 HDI	1999	2.0L	D
5303-988-0009	5303-710-0506	Oil	1-D-3125	PEUGEOT	0375C8	406 HDI	1999	2.0L	D
5303-988-0009	5303-710-0514	Oil	1-D-3150	CITROEN	9633382180	Xantia HDI	1999	2.0L	D
5303-988-0009	5303-710-0514	Oil	1-D-3150	PEUGEOT	9633382180	206 2.0 HDI	1999	2.0L	D
5303-988-0009	5303-710-0514	Oil	1-D-3150	PEUGEOT	9622526980	406 HDI	1999	2.0L	D
5303-988-0009	5303-710-0514	Oil	1-D-3150	PEUGEOT	0375C8	406 HDI	1999	2.0L	D
5303-988-0010	5303-710-0505	Oil	1-D-3126	PEUGEOT	0375C6,037594	306	1998	1.9L	D
5303-988-0010	5303-710-0505	Oil	1-D-3126	PEUGEOT	9633647480	306	1998	1.9L	D
5303-988-0011	5303-710-0504	Water	1-D-3337	SEAT		Ibiza Cupra 1.8T	1999	1.78L	G
5303-988-0011	5303-710-0504	Water	1-D-3337	SKODA		Octavia 1.8T	1998	1.78L	G
5303-988-0011	5303-710-0504	Water	1-D-3337	VOLKSWAGEN		Golf IV 1.8T, Bora 1.8T	1996	1.78L	G
5303-988-0011	5303-710-0504	Water	1-D-3337	VOLKSWAGEN		New Beetle 1.8T	1999	1.78L	G
5303-988-0014	5303-710-0507	Oil	1-D-3121	RENAULT	7700108948	Espace 1.9 TDI	2000	1.9L	D
5303-988-0014	5303-710-0507	Oil	1-D-3439	RENAULT		Espace 1.9dTi	2000	1.87L	D
5303-988-0014	5303-710-0507	Oil	1-D-3121	RENAULT	7700108948	Laguna 1.9 DTI	1998	1.9L	D
5303-988-0014	5303-710-0507	Oil	1-D-3439	RENAULT		Laguna 1.9dTi	1996	1.87L	D
5303-988-0014	5303-710-0507	Oil	1-D-3121	RENAULT	7700115414	Megane 1.9 DTI	1997	1.9L	D
5303-988-0014	5303-710-0507	Oil	1-D-3439	RENAULT		Megane 1.9dTi	1997	1.87L	D
5303-988-0015	5303-710-0501	Oil	1-D-2597	AUDI	038145701D	A3 TDI	1996	1.9L	D
5303-988-0015	5303-710-0501	Oil	1-D-2597	SEAT	038145701D	Toledo/Leon TDI	1996	1.9L	D
5303-988-0015	5303-710-0501	Oil	1-D-2597	SKODA	038145701D	Octavia TDI	1996	1.9L	D
5303-988-0015	5303-710-0501	Oil	1-D-2597	VOLKSWAGEN	038145701D	Golf IV/Bora/New Beetle	1997	1.9L	D
5303-988-0015	5303-710-0501	Oil	1-D-2597	VOLKSWAGEN	28253019	Sharan TDI	1999	1.9L	D
5303-988-0015	5303-710-0506	Oil	1-D-3125	PEUGEOT	0375A6	406 HDI	1998	2.0L	D
5303-988-0016	5303-710-0509	Water	1-D-3573	AUDI		A6	1997-98	2.67L	G



## CARTRIDGE/CHRA - Borg Warner (KKK)

by Turbo Part Number

Turbo Part No	Cart/CHRA Part No	Cooling	TI Part No	Manufacturer	Manf'r Part No	Vehicle Model	Year	Engine	Fuel
5303-988-0016	5303-710-0509	Water	1-D-3573	AUDI		A6/allroad	2000-02	2.67L	G
5303-988-0016	5303-710-0509	Water	1-D-3573	AUDI		S4	1997-2000	2.67L	G
5303-988-0017	5303-710-0509	Water	1-D-3573	AUDI		A6	1997-98	2.67L	G
5303-988-0017	5303-710-0509	Water	1-D-3573	AUDI		A1/allroad	2000-02	2.67L	G
5303-988-0017	5303-710-0509	Water	1-D-3573	AUDI		S4	1997-2000	2.67L	G
5303-988-0018	5303-710-0506	Oil	1-D-3125	CITROEN	0375A6	Xantia HDI	1998	2.0L	D
5303-988-0018	5303-710-0506	Oil	1-D-3125	CITROEN	9632427880	Xantia HDI	1998	2.0L	D
5303-988-0018	5303-710-0506	Oil	1-D-3125	PEUGEOT	9632427880	406 HDI	1998	2.0L	D
5303-988-0018	5303-710-0514	Oil	1-D-3150	CITROEN	9632427880	Xantia HDI	1998	2.0L	D
5303-988-0018	5303-710-0514	Oil	1-D-3150	CITROEN	0375A6	Xantia HDI	1998	2.0L	D
5303-988-0018	5303-710-0514	Oil	1-D-3150	PEUGEOT	9632427880	406 HDI	1998	2.0L	D
5303-988-0018	5303-710-0514	Oil	1-D-3150	PEUGEOT	0375A6	406 HDI	1998	2.0L	D
5303-988-0020	5303-710-0503	Oil	1-D-3129	MERCEDES	6010960299	Vito 110D/V	1996	2.3L	D
5303-988-0020	5303-710-0508	Oil	1-D-3901	MERCEDES	6010960299	Vito 110D/V	1996	2.3L	D
5303-988-0022	5303-710-0502	Water	1-D-2168	SEAT	06A145703C	Alhambra 1.8T	1998	1.8L	G
5303-988-0022	5303-710-0502	Water	1-D-2168	VOLKSWAGEN	06A145703C	Sharan 1.8T	1997	1.8L	G
5303-988-0023	5303-710-0506	Oil	1-D-3125	CITROEN	9632406680	Xantia HDI	1999	2.0L	D
5303-988-0023	5303-710-0506	Oil	1-D-3125	CITROEN	9632406680	Xsara HDI	1999	2.0L	D
5303-988-0023	5303-710-0506	Oil	1-D-3125	PEUGEOT	9632406680	306 HDI	1999	2.0L	D
5303-988-0023	5303-710-0514	Oil	1-D-3150	CITROEN	963240668	Xantia HDI	1999	2.0L	D
5303-988-0023	5303-710-0514	Oil	1-D-3150	CITROEN	963240668	Xsara HDI	1999	2.0L	D
5303-988-0023	5303-710-0514	Oil	1-D-3150	PEUGEOT	963240668	306 HDI	1999	2.0L	D
5303-988-0024	5303-710-0506	Oil	1-D-3125	CITROEN	0375C9,0375F5	C5 HDI	2001	2.0L	D
5303-988-0024	5303-710-0506	Oil	1-D-3125	CITROEN	9632124680	C5 HDI	2001	2.0L	D
5303-988-0024	5303-710-0506	Oil	1-D-3125	CITROEN	0375C9,0375F5	Xantia HDI	1999	2.0L	D
5303-988-0024	5303-710-0506	Oil	1-D-3125	CITROEN	9632124680	Xantia HDI	1999	2.0L	D
5303-988-0024	5303-710-0506	Oil	1-D-3125	PEUGEOT	9632124680	406 HDI	1999	2.0L	D
5303-988-0024	5303-710-0506	Oil	1-D-3125	PEUGEOT	0375C9,0375F5	406 HDI	1999	2.0L	D
5303-988-0024	5303-710-0514	Oil	1-D-3150	CITROEN	0375C9,0375F5	C5 HDI	2001	2.0L	D
5303-988-0024	5303-710-0514	Oil	1-D-3150	CITROEN	9632124680	C5 HDI	2001	2.0L	D
5303-988-0024	5303-710-0514	Oil	1-D-3150	CITROEN	9632124680	Xantia HDI	1999	2.0L	D
5303-988-0024	5303-710-0514	Oil	1-D-3150	CITROEN	0375C9,0375F5	Xantia HDI	1999	2.0L	D
5303-988-0024	5303-710-0514	Oil	1-D-3150	PEUGEOT	9632124680	406 HDI	1999	2.0L	D
5303-988-0024	5303-710-0514	Oil	1-D-3150	PEUGEOT	0375C9,0375F5	406 HDI	1999	2.0L	D
5303-988-0025	5303-710-0511	Water	1-D-3194	AUDI	058145703K	A4/A6 1.8T	1999	1.8L	G
5303-988-0025	5303-710-0511	Water	1-D-3194	VOLKSWAGEN	058145703K	Passat 1.8T	1999	1.8L	G
5303-988-0026	5304-710-0504	Water	1-D-3337	AUDI	06A145704A	A3 1.8T	1996,99	1.8L	G
5303-988-0028	5303-710-0505	Oil	1-D-3126	CITROEN	0375C7	Xsara	1998	1.9L	D
5303-988-0028	5303-710-0505	Oil	1-D-3126	CITROEN	9635220680	Xsara	1998	1.9L	D
5303-988-0029	5303-710-0511	Water	1-D-3194	AUDI	058145703J	A4/A6 1.8T	1999	1.8L	G
5303-988-0029	5303-710-0511	Water	1-D-3194	VOLKSWAGEN	058145703J	Passat 1.8T	1999	1.8L	G
5303-988-0034	5303-710-0513	Oil	1-D-3131	IVECO-SOFIM	500335369	Daily 2.8 TD	1999	2.8L	D
5303-988-0034	5303-710-0513	Oil	1-D-3131	OPEL	99462607	Movano 2.8 DTI	1999	2.8L	D
5303-988-0034	5303-710-0513	Oil	1-D-3131	RENAULT	99462607	Master 2.8 DTI	1999	2.8L	D
5303-988-0035	5304-710-0504	Water	1-D-3337	AUDI	06A145704A	TT	1998	1.8L	G
5303-988-0037	5303-710-0513	Oil	1-D-3131	IVECO-SOFIM	500358190	Daily 2.8 TD	1999	2.8L	D
5303-988-0038	5303-710-0507	Oil	1-D-3121	RENAULT	7700115414	Clio 1.9 TDI	1999	1.9L	D
5303-988-0038	5303-710-0507	Oil	1-D-3439	RENAULT		Clio 1.9dTi, Kangoo 1.9	1999	1.87L	D
5303-988-0038	5303-710-0507	Oil	1-D-3121	RENAULT	7700115414	Kangoo 1.9 DTI	1999	1.9L	D
5303-988-0038	5303-710-0507	Oil	1-D-3439	RENAULT		Master 1.9dTi	2000	1.87L	D
5303-988-0047	5303-710-0507	Oil	1-D-3121	RENAULT	7700315460	Master 1.9 DTI	2000	1.9L	D



## CARTRIDGE/CHRA - Borg Warner (KKK)

by Turbo Part Number

Turbo Part No	Cart/CHRA Part No	Cooling	TI Part No	Manufacturer	Manf'r Part No	Vehicle Model	Year	Engine	Fuel
5303-988-0048	5303-710-0515	Oil	1-D-3587	RENAULT	8200084399	Laguna 1.9 DCI	2001	1.9L	D
5303-988-0048	5303-710-0515	Oil	1-D-3587	RENAULT	8200084399	Megane 1.9 DCI	2001	1.9L	D
5303-988-0048	5303-710-0515	Oil	1-D-3587	RENAULT	8200084399	Scenic 1.9 DCI	2001	1.9L	D
5303-988-0049	5303-710-0511	Water	1-D-3194	SEAT	06A145704H	Alhambra 1.8T	2000	1.8L	G
5303-988-0049	5303-710-0511	Water	1-D-3194	VOLKSWAGEN	06A145704H	Sharan 1.8T	2000	1.8L	G
5303-988-0050	5303-710-0514	Oil	1-D-3150	CITROEN	9640168280	C5 HDI	2001	2.0L	D
5303-988-0050	5303-710-0514	Oil	1-D-3150	PEUGEOT	9640168280	406 HDI	2001	2.0L	D
5303-988-0050	5303-710-0514	Oil	1-D-3150	PEUGEOT	9640168280	607 HDI	2001	2.0L	D
5303-988-0051	5303-710-0514	Oil	1-D-3150	SUZUKI	ZY34027010	Grand Vitara	2000	2.0L	D
5303-988-0052	5303-710-0516	Water	1-D-3203	AUDI	06A145704T	A3 1.8T	2000	1.8L	G
5303-988-0052	5303-710-0516	Water	1-D-3203	AUDI	06A145713D	A3 1.8T	2001	1.8L	G
5303-988-0052	5303-710-0516	Water	1-D-3203	AUDI	06A145704T	TT	2000	1.8L	G
5303-988-0052	5303-710-0516	Water	1-D-3203	AUDI	06A145713D	TT	2001	1.8L	G
5303-988-0052	5303-710-0516	Water	1-D-3203	SEAT	06A145704T	Leon 1.8T	2000	1.8L	G
5303-988-0052	5303-710-0516	Water	1-D-3203	SEAT	06A145713D	Leon 1.8T	2001	1.8L	G
5303-988-0052	5303-710-0516	Water	1-D-3203	SKODA	06A145704T	Octavia 1.8T	2000	1.8L	G
5303-988-0052	5303-710-0516	Water	1-D-3203	SKODA	06A145713D	Octavia 1.8T	2001	1.8L	G
5303-988-0052	5303-710-0516	Water	1-D-3203	VOLKSWAGEN	06A145704T	Golf/Bora/Jetta 1.8	2000	1.8L	G
5303-988-0052	5303-710-0516	Water	1-D-3203	VOLKSWAGEN	06A145713D	Golf/Bora/Jetta 1.8	2001	1.8L	G
5303-988-0053	5303-710-0516	Water	1-D-3203	AUDI	06A145704T	A3 1.8T	2000	1.8L	G
5303-988-0053	5303-710-0516	Water	1-D-3203	SKODA	06A145704T	Octavia 1.8T	2000	1.8L	G
5303-988-0053	5303-710-0516	Water	1-D-3203	VOLKSWAGEN	06A145704T	Gol//Bora 1.8T	2000	1.8L	G
5303-988-0054	5303-710-0513	Oil	1-D-3131	CITROEN	500364493	Jumper 2.8 HDI	2001	2.8L	D
5303-988-0054	5303-710-0513	Oil	1-D-3131	FIAT	500364493	Ducato 2.8 JTD	2001	2.8L	D
5303-988-0054	5303-710-0513	Oil	1-D-3131	PEUGEOT	500364493	Boxer 2.8 HDI	2001	2.8L	D
5303-988-0055	5303-710-0517	Oil	1-D-3611	OPEL	8200036999	Movano 2.5 DT11	2001	2.5L	D
5303-988-0055	5303-710-0517	Oil	1-D-3611	RENAULT	8200036999	Master 2.5 DCI	2001	2.5L	D
5303-988-0055	5303-710-0517	Oil	1-D-3611	RENAULT	8200036999	Master 2.5 DCI	2001	2.5L	D
5303-988-0056	5303-710-0514	Oil	1-D-3150	CITROEN	9640873380	Xsara HDI	2000	2.0L	D
5303-988-0057	5303-710-0514	Oil	1-D-3150	CITROEN	9640355080	Xsara HDI	2002	2.0L	D
5303-988-0057	5303-710-0514	Oil	1-D-3150	PEUGEOT	9640355080	206 HDI	2000	2.0L	D
5303-988-0057	5303-710-0514	Oil	1-D-3150	PEUGEOT	9640355080	307 HDI	2000	2.0L	D
5303-988-0058	5303-710-0516	Water	1-D-3203	VOLKSWAGEN	06A145713B	New Beetle 1.8T	2000	1.8L	G
5303-988-0061	5303-710-0514	Oil	1-D-3150	CITROEN	9636473280	Jumper	2001	2.0L	D
5303-988-0061	5303-710-0514	Oil	1-D-3150	FIAT	9636473280	Ducato	2001	2.0L	D
5303-988-0061	5303-710-0514	Oil	1-D-3150	PEUGEOT	9636473280	Boxer	2001	2.0L	D
5303-988-0062	5303-710-0520	Oil	1-D-3594	CITROEN		Jumper	2001	2.2L	D
5303-988-0062	5303-710-0520	Oil	1-D-3594	PEUGEOT		Boxer	2001	2.2L	D
5303-988-0063	5303-710-0514	Oil	1-D-3150	SUZUKI	ZY34027308	Vitara	2001	2.0L	D
5303-988-0066	5303-710-0519	Oil	1-D-3591	IVECO-SOFIM	504014911	Daily 2.3 TD	2002	2.3L	D
5303-988-0067	5303-710-0519	Oil	1-D-3591	IVECO-SOFIM	504014915	Ducato 2.3 TD	2001	2.3L	D
5303-988-0071	5303-710-0513	Oil	1-D-3131	IVECO-SOFIM	504016280	Road Sweeper	2001	2.8L	D
5303-988-0071	5303-710-0523	Oil	1-D-3597	IVECO-SOFIM	504016280	Road Sweeper	2001	2.8L	D
5303-988-0072	5303-710-0513	Oil	1-D-3131	IVECO-SOFIM	504016279	Road Sweeper	2001	2.8L	D
5303-988-0075	5303-710-0523	Oil	1-D-3597	IVECO-SOFIM	500335369	Daily 2.8 TD	2003	2.8L	D
5303-988-0075	5303-710-0523	Oil	1-D-3597	OPEL	99462607	Movano 2.8 DTI	1999	2.8L	D
5303-988-0075	5303-710-0523	Oil	1-D-3597	RENAULT	99462607	Master 2.8 DTI	1999	2.8L	D
5303-988-0075	5303-710-0523	Oil	1-D-3597	RENAULT	99762607	Master 2.8 DTI	1999	2.8L	D
5303-988-0076	5303-710-0523	Oil	1-D-3597	IVECO-SOFIM	500358190	Daily 2.8 TD	2003	2.8L	D
5303-988-0078	5303-710-0519	Oil	1-D-3591	IVECO-SOFIM	504078436	Passenger Car	N/A	2.3L	D
5303-988-0089	5303-710-0519	Oil	1-D-3591	IVECO-SOFIM	504071262	Daily 2.3 TD	2003	2.3L	D



## CARTRIDGE/CHRA - Borg Warner (KKK)

by Turbo Part Number

Turbo Part No	Cart/CHRA Part No	Cooling	TI Part No	Manufacturer	Manf'r Part No	Vehicle Model	Year	Engine	Fuel
5303-988-0090	5303-710-0519	Oil	1-D-3591	IVECO-SOFIM	504070186	Ducato 2.3 TD	2003	2.3L	D
5304-988-0001	5304-710-0500	Oil	1-D-3095	FORD	984F6K682AF	Transit FT 190	1991	2.5DI	D
5304-988-0002	5304-710-0501	Oil	1-D-2170	CHRYSLER	35242037F	Voyager	1992	2.5L	D
5304-988-0002	5304-710-0501	Oil	1-D-2170	VM	35242037F	Chrysler Voyager	1992	2.5L	D
5304-988-0003	5304-710-0501	Oil	1-D-2170	VM	35242042F	Pick-up	1992	2.5L	D
5304-988-0003	5304-710-0501	Oil	1-D-2170	YEUTYAN	35242042F	Pick-Up	1992	3.0L	D
5304-988-0006	5304-710-0500	Oil	1-D-3095	FORD	954F6K682AD	Transit	1994	2.5DI	D
5304-988-0007	5304-710-0501	Oil	1-D-2170	TATA	254714510104	Sierra Pick-Up	1994	2.0L	D
5304-988-0007	5304-710-0509	Oil	1-D-3607	TATA		Sierra Pick-Up	1994	1.95L	D
5304-988-0008	5304-710-0500	Oil	1-D-3095	FORD	974F6K682AF	Transit	1996	2.5DI	D
5304-988-0011	5304-710-0502	Oil	1-D-3598	CITROEN	9619991180	ZX Xantia	1996	1.9L	D
5304-988-0011	5304-710-0502	Oil	1-D-3598	PEUGEOT	037590	306, 405	1996	1.9L	D
5304-988-0012	5304-710-0501	Oil	1-D-2170	BAJAJ	-	Passenger Car	1995	2.4L	D
5304-988-0013	5304-710-0505	Oil	1-D-3615	CITROEN	0375C0	ZX XUD9BSD	1998-00	1.9L	D
5304-988-0013	5304-710-0505	Oil	1-D-3615	PEUGEOT	9633828080	306 XUD9BSD	1998	1.9L	D
5304-988-0016	5304-710-0504	Oil	1-D-3632	AVIA		Vehicle	1996	3.6L	D
5304-988-0017	5304-710-0500	Oil	1-D-3095	FORD	974F6K682AF	Transit	1999	2.5DI	D
5304-988-0017	5304-710-0506	Oil	1-D-2169	FORD	984F6K682AF/AG	Transit -	1999	2.5L	D
5304-988-0019	5304-710-0509	Oil	1-D-3607	STEYR		M14	1998	2.13L	D
5304-988-0020	5304-710-0507	Water	1-D-3601	AUDI	06A145704M	S3 1.8	1999	1.8L	G
5304-988-0020	5304-710-0507	Water	1-D-3601	AUDI	06A145704M	TT 1.8	1999	1.8L	G
5304-988-0021	5304-710-0502	Oil	1-D-3598	SUZUKI	ZY34026857	Baleno	1998	1.9L	D
5304-988-0022	5304-710-0507	Water	1-D-3601	AUDI	06A145704P	S3 1.8	1999	1.8L	G
5304-988-0022	5304-710-0507	Water	1-D-3601	AUDI	06A145704P	TT 1.8	1999	1.8L	G
5304-988-0023	5304-710-0507	Water	1-D-3601	AUDI	06A145704Q	S3 1.8	2000	1.8L	G
5304-988-0023	5304-710-0507	Water	1-D-3601	AUDI	06A145704Q	TT 1.8	2000	1.8L	G
5304-988-0024	5304-710-0511	Oil	1-D-3608	OPEL	90423508	Astra Coupe	2000	2.0L	G
5304-988-0024	5304-710-0511	Oil	1-D-3608	OPEL	90423508	Zafira OPC	2000	2.0L	G
5304-988-0028	5304-710-0512	Water	1-D-3606	AUDI	077145703P	RS6 4.2-V8	2002	4.2L	G
5304-988-0029	5304-710-0512	Water	1-D-3606	AUDI	077145704K	RS6 4.2-V8	2002	4.2L	G

NOTE: TRANSIT Turbine wheel tip height ("B" on Major Components) 0.311"/7.90mm on early models to 1997, 0.245"/6.22mm on later models.



## CARTRIDGE/CHRA - Borg Warner (KKK)

by Cartridge/CHRA Number

Cart/CHRA Part No	TI Part No	Cooling	Turbo Part No	Manufacturer	Manf'r Part No	Vehicle Model	Year	Engine	Fuel
5303-710-0500	1-D-2167	Oil	5303-988-0003	AUDI	028145701R	80 TD	1994	1.9L	G
5303-710-0500	1-D-2167	Oil	5303-988-0003	AUDI	028145701R	A4	1996	1.9L	G
5303-710-0500	1-D-2167	Oil	5303-988-0003	SEAT		Cordoba	1993	1.9L	D
5303-710-0500	1-D-2167	Oil	5303-988-0003	SEAT	028145701R	Ibiza TD	1993	1.9L	D
5303-710-0500	1-D-2167	Oil	5303-988-0003	SEAT	028145701R	Toledo	1993	1.9L	D
5303-710-0500	1-D-2167	Oil	5303-988-0003	VOLKSWAGEN	028145701R	Golf III/Vento TD	1993	1.9L	D
5303-710-0500	1-D-2167	Oil	5303-988-0003	VOLKSWAGEN	028145701R	Passat III TD	1993	1.9L	D
5303-710-0500	1-D-2167	Oil	5303-988-0003	VOLKSWAGEN		Vento TD	1993	1.6L	D
5303-710-0501	1-D-2597	Oil	5303-988-0006	FORD	028145701J	Galaxy	1995	1.9L	D
5303-710-0501	1-D-2597	Oil	5303-988-0006	SEAT	028145701J	Alhambra TDI	1995	1.9L	D
5303-710-0501	1-D-2597	Oil	5303-988-0006	SEAT	028145701J	Toledo TDI	1995	1.9L	D
5303-710-0501	1-D-2597	Oil	5303-988-0006	VOLKSWAGEN	028145701J	Golf III TDI	1993	1.9L	D
5303-710-0501	1-D-2597	Oil	5303-988-0006	VOLKSWAGEN	028145701J	Passat TDI	1993	1.9L	D
5303-710-0501	1-D-2597	Oil	5303-988-0006	VOLKSWAGEN	028145701J	Sharan TDI	1993	1.9L	D
5303-710-0501	1-D-2597	Oil	5303-988-0015	AUDI	038145701D	A3 TDI	1996	1.9L	D
5303-710-0501	1-D-2597	Oil	5303-988-0015	SEAT	038145701D	Toledo/Leon TDI	1996	1.9L	D
5303-710-0501	1-D-2597	Oil	5303-988-0015	SKODA	038145701D	Octavia TDI	1996	1.9L	D
5303-710-0501	1-D-2597	Oil	5303-988-0015	VOLKSWAGEN	038145701D	Golf IV/Bora/New Beetle	1997	1.9L	D
5303-710-0501	1-D-2597	Oil	5303-988-0015	VOLKSWAGEN	28253019	Sharan TDI	1999	1.9L	D
5303-710-0502	1-D-2168	Water	5303-988-0005	AUDI	58145703C	A4/A6 1.8T	1995	1.8L	G
5303-710-0502	1-D-2168	Water	5303-988-0005	AUDI	58145703E	A4/A6 1.8T	1996	1.8L	G
5303-710-0502	1-D-2168	Water	5303-988-0005	AUDI	58145703H	A4/A6 1.8T	1996	1.8L	G
5303-710-0502	1-D-2168	Water	5303-988-0005	AUDI	58145703L	A4/A6 1.8T	1998	1.8L	G
5303-710-0502	1-D-2168	Water	5303-988-0005	VOLKSWAGEN	58145703C	Passat 1.8T	1995	1.8L	G
5303-710-0502	1-D-2168	Water	5303-988-0005	VOLKSWAGEN	58145703H	Passat 1.8T	1996	1.8L	G
5303-710-0502	1-D-2168	Water	5303-988-0005	VOLKSWAGEN	58145703E	Passat 1.8T	1996	1.8L	G
5303-710-0502	1-D-2168	Water	5303-988-0005	VOLKSWAGEN	58145703L	Passat 1.8T	1998	1.8L	G
5303-710-0502	1-D-2168	Water	5303-988-0022	SEAT	06A145703C	Alhambra 1.8T	1998	1.8L	G
5303-710-0502	1-D-2168	Water	5303-988-0022	VOLKSWAGEN	06A145703C	Sharan 1.8T	1997	1.8L	G
5303-710-0503	1-D-3129	Oil	5303-988-0007	MERCEDES	6010960299	Vito 110D/V	1995	2.3L	D
5303-710-0503	1-D-3129	Oil	5303-988-0020	MERCEDES	6010960299	Vito 110D/V	1996	2.3L	D
5303-710-0504	1-D-3337	Water	5303-988-0011	SEAT		Ibiza Cupra 1.8T	1999	1.78L	G
5303-710-0504	1-D-3337	Water	5303-988-0011	SKODA		Octavia 1.8T	1998	1.78L	G
5303-710-0504	1-D-3337	Water	5303-988-0011	VOLKSWAGEN		Golf IV 1.8T, Bora 1.8T	1996	1.78L	G
5303-710-0504	1-D-3337	Water	5303-988-0011	VOLKSWAGEN		New Beetle 1.8T	1999	1.78L	G
5303-710-0505	1-D-3126	Oil	5303-988-0010	PEUGEOT	0375C6,037594	306	1998	1.9L	D
5303-710-0505	1-D-3126	Oil	5303-988-0010	PEUGEOT	9633647480	306	1998	1.9L	D
5303-710-0505	1-D-3126	Oil	5303-988-0028	CITROEN	9635220680	Xsara	1998	1.9L	D
5303-710-0505	1-D-3126	Oil	5303-988-0028	CITROEN	0375C7	Xsara	1998	1.9L	D
5303-710-0506	1-D-3125	Oil	5303-988-0009	CITROEN	9633382180	Xantia HDI	1999	2.0L	D
5303-710-0506	1-D-3125	Oil	5303-988-0009	PEUGEOT	9633382180	206 2.0 HDI	1999	2.0L	D
5303-710-0506	1-D-3125	Oil	5303-988-0009	PEUGEOT	0375C8	406 HDI	1999	2.0L	D
5303-710-0506	1-D-3125	Oil	5303-988-0009	PEUGEOT	962252698	406 HDI	1999	2.0L	D
5303-710-0506	1-D-3125	Oil	5303-988-0015	PEUGEOT	0375A6	406 HDI	1998	2.0L	D
5303-710-0506	1-D-3125	Oil	5303-988-0018	CITROEN	0375A6	Xantia HDI	1998	2.0L	D
5303-710-0506	1-D-3125	Oil	5303-988-0018	CITROEN	9632427880	Xantia HDI	1998	2.0L	D
5303-710-0506	1-D-3125	Oil	5303-988-0018	PEUGEOT	9632427880	406 HDI	1998	2.0L	D
5303-710-0506	1-D-3125	Oil	5303-988-0023	CITROEN	9632406680	Xantia HDI	1999	2.0L	D
5303-710-0506	1-D-3125	Oil	5303-988-0023	CITROEN	9632406680	Xsara HDI	1999	2.0L	D
5303-710-0506	1-D-3125	Oil	5303-988-0023	PEUGEOT	9632406680	306 HDI	1999	2.0L	D





## CARTRIDGE/CHRA - Borg Warner (KKK)

by Cartridge/CHRA Number

Cart/CHRA Part No	TI Part No	Cooling	Turbo Part No	Manufacturer	Manf'r Part No	Vehicle Model	Year	Engine	Fuel
5303-710-0506	1-D-3125	Oil	5303-988-0024	CITROEN	0375C9,0375F5	C5 HDI	2001	2.0L	D
5303-710-0506	1-D-3125	Oil	5303-988-0024	CITROEN	9632124680	C5 HDI	2001	2.0L	D
5303-710-0506	1-D-3125	Oil	5303-988-0024	CITROEN	9632124680	Xantia HDI	1999	2.0L	D
5303-710-0506	1-D-3125	Oil	5303-988-0024	CITROEN	0375C9,0375F5	Xantia HDI	1999	2.0L	D
5303-710-0506	1-D-3125	Oil	5303-988-0024	PEUGEOT	0375C9,0375F5	406 HDI	1999	2.0L	D
5303-710-0506	1-D-3125	Oil	5303-988-0024	PEUGEOT	9632124680	406 HDI	1999	2.0L	D
5303-710-0507	1-D-3121	Oil	5303-988-0014	RENAULT	7700108948	Espace 1.9 TDI	2000	1.9L	D
5303-710-0507	1-D-3439	Oil	5303-988-0014	RENAULT		Espace 1.9dTi	2000	1.87L	D
5303-710-0507	1-D-3121	Oil	5303-988-0014	RENAULT	7700108948	Laguna 1.9 DTI	1998	1.9L	D
5303-710-0507	1-D-3439	Oil	5303-988-0014	RENAULT		Laguna 1.9dTi	1996	1.87L	D
5303-710-0507	1-D-3121	Oil	5303-988-0014	RENAULT	7700115414	Megane 1.9 DTI	1997	1.9L	D
5303-710-0507	1-D-3439	Oil	5303-988-0014	RENAULT		Megane 1.9dTi	1997	1.87L	D
5303-710-0507	1-D-3121	Oil	5303-988-0038	RENAULT	7700115414	Clio 1.9 TDI	1999	1.9L	D
5303-710-0507	1-D-3439	Oil	5303-988-0038	RENAULT		Clio 1.9dTi, Kangoo 1.9	1999	1.87L	D
5303-710-0507	1-D-3121	Oil	5303-988-0038	RENAULT	7700115414	Kangoo 1.9 DTI	1999	1.9L	D
5303-710-0507	1-D-3439	Oil	5303-988-0038	RENAULT		Master 1.9dTi	2000	1.87L	D
5303-710-0507	1-D-3121	Oil	5303-988-0047	RENAULT	7700315460	Master 1.9 DTI	2000	1.9L	D
5303-710-0508	1-D-3901	Oil	5303-988-0020	MERCEDES	6010960299	Vito 110D/V	1996	2.3L	D
5303-710-0509	1-D-3573	Water	5303-988-0016	AUDI		A6	1997-98	2.67L	G
5303-710-0509	1-D-3573	Water	5303-988-0016	AUDI		A6/allroad	2000-02	2.67L	G
5303-710-0509	1-D-3573	Water	5303-988-0016	AUDI		S4	1997-2000	2.67L	G
5303-710-0509	1-D-3573	Water	5303-988-0017	AUDI		A6	1997-98	2.67L	G
5303-710-0509	1-D-3573	Water	5303-988-0017	AUDI		A1/allroad	2000-02	2.67L	G
5303-710-0509	1-D-3573	Water	5303-988-0017	AUDI		S4	1997-2000	2.67L	G
5303-710-0511	1-D-3194	Water	5303-988-0025	AUDI	058145703K	A4/A6 1.8T	1999	1.8L	G
5303-710-0511	1-D-3194	Water	5303-988-0025	VOLKSWAGEN	058145703K	Passat 1.8T	1999	1.8L	G
5303-710-0511	1-D-3194	Water	5303-988-0029	AUDI	058145703J	A4/A6 1.8T	1999	1.8L	G
5303-710-0511	1-D-3194	Water	5303-988-0029	VOLKSWAGEN	058145703J	Passat 1.8T	1999	1.8L	G
5303-710-0511	1-D-3194	Water	5303-988-0049	SEAT	06A145704H	Alhambra 1.8T	2000	1.8L	G
5303-710-0511	1-D-3194	Water	5303-988-0049	VOLKSWAGEN	06A145704H	Sharan 1.8T	2000	1.8L	G
5303-710-0513	1-D-3131	Oil	5303-988-0034	IVECO-SOFIM	500335369	Daily 2.8 TD	1999	2.8L	D
5303-710-0513	1-D-3131	Oil	5303-988-0034	OPEL	99462607	Movano 2.8 DTI	1999	2.8L	D
5303-710-0513	1-D-3131	Oil	5303-988-0034	RENAULT	99462607	Master 2.8 DTI	1999	2.8L	D
5303-710-0513	1-D-3131	Oil	5303-988-0037	IVECO-SOFIM	500358190	Daily 2.8 TD	1999	2.8L	D
5303-710-0513	1-D-3131	Oil	5303-988-0054	CITROEN	500364493	Jumper 2.8 HDI	2001	2.8L	D
5303-710-0513	1-D-3131	Oil	5303-988-0054	FIAT	500364493	Ducato 2.8 JTD	2001	2.8L	D
5303-710-0513	1-D-3131	Oil	5303-988-0054	PEUGEOT	500364493	Boxer 2.8 HDI	2001	2.8L	D
5303-710-0513	1-D-3131	Oil	5303-988-0071	IVECO-SOFIM	504016280	Road Sweeper	2001	2.8L	D
5303-710-0513	1-D-3131	Oil	5303-988-0072	IVECO-SOFIM	504016279	Road Sweeper	2001	2.8L	D
5303-710-0514	1-D-3150	Oil	5303-988-0009	CITROEN	9633382180	Xantia HDI	1999	2.0L	D
5303-710-0514	1-D-3150	Oil	5303-988-0009	PEUGEOT	9633382180	206 2.0 HDI	1999	2.0L	D
5303-710-0514	1-D-3150	Oil	5303-988-0009	PEUGEOT	0375C8	406 HDI	1999	2.0L	D
5303-710-0514	1-D-3150	Oil	5303-988-0009	PEUGEOT	9622526980	406 HDI	1999	2.0L	D
5303-710-0514	1-D-3150	Oil	5303-988-0018	CITROEN	0375A6	Xantia HDI	1998	2.0L	D
5303-710-0514	1-D-3150	Oil	5303-988-0018	CITROEN	9632427880	Xantia HDI	1998	2.0L	D
5303-710-0514	1-D-3150	Oil	5303-988-0018	PEUGEOT	9632427880	406 HDI	1998	2.0L	D
5303-710-0514	1-D-3150	Oil	5303-988-0018	PEUGEOT	0375A6	406 HDI	1998	2.0L	D
5303-710-0514	1-D-3150	Oil	5303-988-0023	CITROEN	963240668	Xantia HDI	1999	2.0L	D
5303-710-0514	1-D-3150	Oil	5303-988-0023	CITROEN	963240668	Xsara HDI	1999	2.0L	D
5303-710-0514	1-D-3150	Oil	5303-988-0023	PEUGEOT	963240668	306 HDI	1999	2.0L	D



## CARTRIDGE/CHRA - Borg Warner (KKK)

by Cartridge/CHRA Number

Cart/CHRA Part No	TI Part No	Cooling	Turbo Part No	Manufacturer	Manf'r Part No	Vehicle Model	Year	Engine	Fuel
5303-710-0514	1-D-3150	Oil	5303-988-0024	CITROEN	0375C9,0375F5	C5 HDI	2001	2.0L	D
5303-710-0514	1-D-3150	Oil	5303-988-0024	CITROEN	9632124680	C5 HDI	2001	2.0L	D
5303-710-0514	1-D-3150	Oil	5303-988-0024	CITROEN	9632124680	Xantia HDI	1999	2.0L	D
5303-710-0514	1-D-3150	Oil	5303-988-0024	CITROEN	0375C9,0375F5	Xantia HDI	1999	2.0L	D
5303-710-0514	1-D-3150	Oil	5303-988-0024	PEUGEOT	0375C9,0375F5	406 HDI	1999	2.0L	D
5303-710-0514	1-D-3150	Oil	5303-988-0024	PEUGEOT	9632124680	406 HDI	1999	2.0L	D
5303-710-0514	1-D-3150	Oil	5303-988-0050	CITROEN	9640168280	C5 HDI	2001	2.0L	D
5303-710-0514	1-D-3150	Oil	5303-988-0050	PEUGEOT	9640168280	406 HDI	2001	2.0L	D
5303-710-0514	1-D-3150	Oil	5303-988-0050	PEUGEOT	9640168280	607 HDI	2001	2.0L	D
5303-710-0514	1-D-3150	Oil	5303-988-0051	SUZUKI	ZY34027010	Grand Vitara	2000	2.0L	D
5303-710-0514	1-D-3150	Oil	5303-988-0056	CITROEN	9640873380	Xsara HDI	2000	2.0L	D
5303-710-0514	1-D-3150	Oil	5303-988-0057	CITROEN	9640355080	Xsara HDI	2002	2.0L	D
5303-710-0514	1-D-3150	Oil	5303-988-0057	PEUGEOT	9640355080	206 HDI	2000	2.0L	D
5303-710-0514	1-D-3150	Oil	5303-988-0057	PEUGEOT	9640355080	307 HDI	2000	2.0L	D
5303-710-0514	1-D-3150	Oil	5303-988-0061	CITROEN	9636473280	Jumper	2001	2.0L	D
5303-710-0514	1-D-3150	Oil	5303-988-0061	FIAT	9636473280	Ducato	2001	2.0L	D
5303-710-0514	1-D-3150	Oil	5303-988-0061	PEUGEOT	9636473280	Boxer	2001	2.0L	D
5303-710-0514	1-D-3150	Oil	5303-988-0063	SUZUKI	ZY34027308	Vitara	2001	2.0L	D
5303-710-0515	1-D-3587	Oil	5303-988-0048	RENAULT	8200084399	Laguna 1.9 DCI	2001	1.9L	D
5303-710-0515	1-D-3587	Oil	5303-988-0048	RENAULT	8200084399	Megane 1.9 DCI	2001	1.9L	D
5303-710-0515	1-D-3587	Oil	5303-988-0048	RENAULT	8200084399	Scenic 1.9 DCI	2001	1.9L	D
5303-710-0516	1-D-3203	Water	5303-988-0052	AUDI	06A145704T	A3 1.8T	2000	1.8L	G
5303-710-0516	1-D-3203	Water	5303-988-0052	AUDI	06A145713D	A3 1.8T	2001	1.8L	G
5303-710-0516	1-D-3203	Water	5303-988-0052	AUDI	06A145704T	TT	2000	1.8L	G
5303-710-0516	1-D-3203	Water	5303-988-0052	AUDI	06A145713D	TT	2001	1.8L	G
5303-710-0516	1-D-3203	Water	5303-988-0052	SEAT	06A145704T	Leon 1.8T	2000	1.8L	G
5303-710-0516	1-D-3203	Water	5303-988-0052	SEAT	06A145713D	Leon 1.8T	2001	1.8L	G
5303-710-0516	1-D-3203	Water	5303-988-0052	SKODA	06A145704T	Octavia 1.8T	2000	1.8L	G
5303-710-0516	1-D-3203	Water	5303-988-0052	SKODA	06A145713D	Octavia 1.8T	2001	1.8L	G
5303-710-0516	1-D-3203	Water	5303-988-0052	VOLKSWAGEN	06A145704T	Golf/Bora/Jetta 1.8	2000	1.8L	G
5303-710-0516	1-D-3203	Water	5303-988-0052	VOLKSWAGEN	06A145713D	Golf/Bora/Jetta 1.8	2001	1.8L	G
5303-710-0516	1-D-3203	Water	5303-988-0053	AUDI	06A145704T	A3 1.8T	2000	1.8L	G
5303-710-0516	1-D-3203	Water	5303-988-0053	SKODA	06A145704T	Octavia 1.8T	2000	1.8L	G
5303-710-0516	1-D-3203	Water	5303-988-0053	VOLKSWAGEN	06A145704T	Gol//Bora 1.8T	2000	1.8L	G
5303-710-0516	1-D-3203	Water	5303-988-0058	VOLKSWAGEN	06A145713B	New Beetle 1.8T	2000	1.8L	G
5303-710-0517	1-D-3611	Oil	5303-988-0055	OPEL	8200036999	Movano 2.5 DT11	2001	2.5L	D
5303-710-0517	1-D-3611	Oil	5303-988-0055	RENAULT	8200036999	Master 2.5 DCI	2001	2.5L	D
5303-710-0517	1-D-3611	Oil	5303-988-0055	RENAULT	8200036999	Master 2.5 DCI	2001	2.5L	D
5303-710-0518	1-D-3590	Oil	5303-988-0008	BMC		Levend	1998-2001	1.8L	D
5303-710-0519	1-D-3591	Oil	5303-988-0066	IVECO-SOFIM	504014911	Daily 2.3 TD	2002	2.3L	D
5303-710-0519	1-D-3591	Oil	5303-988-0067	IVECO-SOFIM	504014915	Ducato 2.3 TD	2001	2.3L	D
5303-710-0519	1-D-3591	Oil	5303-988-0078	IVECO-SOFIM	504078436	Passenger Car	N/A	2.3L	D
5303-710-0519	1-D-3591	Oil	5303-988-0089	IVECO-SOFIM	504071262	Daily 2.3 TD	2003	2.3L	D
5303-710-0519	1-D-3591	Oil	5303-988-0090	IVECO-SOFIM	504070186	Ducato 2.3 TD	2003	2.3L	D
5303-710-0520	1-D-3594	Oil	5303-988-0062	CITROEN		Jumper	2001	2.2L	D
5303-710-0520	1-D-3594	Oil	5303-988-0062	PEUGEOT		Boxer	2001	2.2L	D
5303-710-0523	1-D-3597	Oil	5303-988-0071	IVECO-SOFIM	504016280	Road Sweeper	2001	2.8L	D
5303-710-0523	1-D-3597	Oil	5303-988-0075	IVECO-SOFIM	500335369	Daily 2.8 TD	2003	2.8L	D
5303-710-0523	1-D-3597	Oil	5303-988-0075	OPEL	99462607	Movano 2.8 DTI	1999	2.8L	D
5303-710-0523	1-D-3597	Oil	5303-988-0075	RENAULT	99462607	Master 2.8 DTI	1999	2.8L	D





## CARTRIDGE/CHRA - Borg Warner (KKK)

by Cartridge/CHRA Number

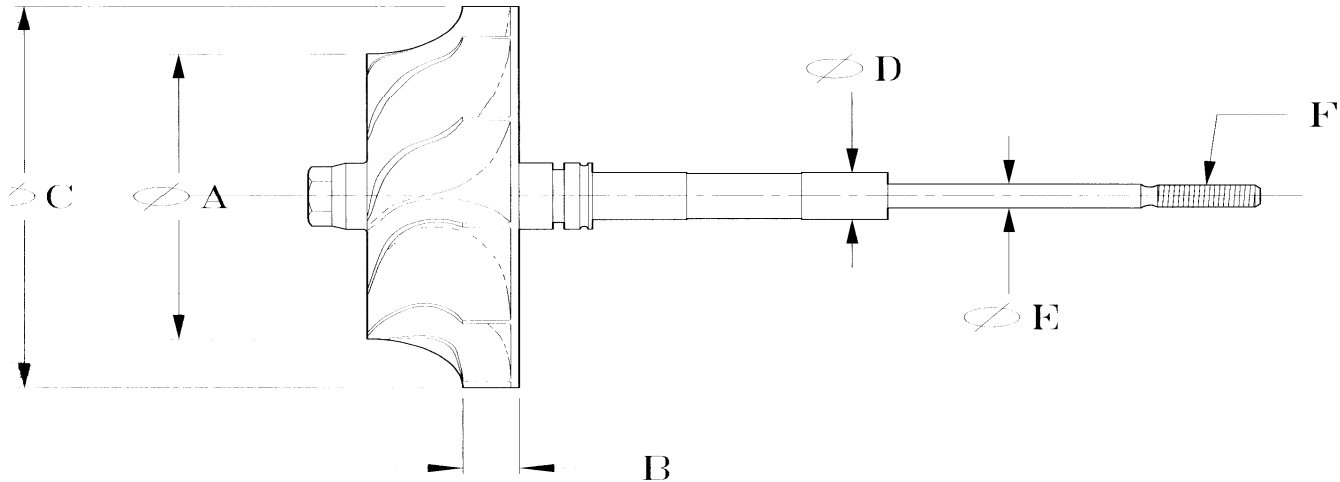
Cart/CHRA Part No	TI Part No	Cooling	Turbo Part No	Manufacturer	Manf'r Part No	Vehicle Model	Year	Engine	Fuel
5303-710-0523	1-D-3597	Oil	5303-988-0075	RENAULT	99762607	Master 2.8 DTI	1999	2.8L	D
5303-710-0523	1-D-3597	Oil	5303-988-0076	IVECO-SOFIM	500358190	Daily 2.8 TD	2003	2.8L	D
5304-710-0500	1-D-3095	Oil	5304-988-0001	FORD	984F6K682AF	Transit FT 190	1991	2.5DI	D
5304-710-0500	1-D-3095	Oil	5304-988-0006	FORD	954F6K682AD	Transit	1994	2.5DI	D
5304-710-0500	1-D-3095	Oil	5304-988-0008	FORD	974F6K682AF	Transit	1996	2.5DI	D
5304-710-0500	1-D-3095	Oil	5304-988-0017	FORD	974F6K682AF	Transit	1999	2.5DI	D
5304-710-0501	1-D-2170	Oil	5304-988-0002	CHRYSLER	35242037F	Voyager	1992	2.5L	D
5304-710-0501	1-D-2170	Oil	5304-988-0002	VM	35242037F	Chrysler Voyager	1992	2.5L	D
5304-710-0501	1-D-2170	Oil	5304-988-0003	VM	35242042F	Pick-up	1992	2.5L	D
5304-710-0501	1-D-2170	Oil	5304-988-0003	YEUTYAN	35242042F	Pick-Up	1992	3.0L	D
5304-710-0501	1-D-2170	Oil	5304-988-0007	TATA	254714510104	Sierra Pick-Up	1994	2.0L	D
5304-710-0501	1-D-2170	Oil	5304-988-0012	BAJAJ	-	Passenger Car	1995	2.4L	D
5304-710-0502	1-D-3598	Oil	5304-988-0011	CITROEN	9619991180	ZX Xantia	1996	1.9L	D
5304-710-0502	1-D-3598	Oil	5304-988-0011	PEUGEOT	037590	306, 405	1996	1.9L	D
5304-710-0502	1-D-3598	Oil	5304-988-0021	SUZUKI	ZY34026857	Baleno	1998	1.9L	D
5304-710-0504	1-D-3337	Water	5303-988-0026	AUDI	06A145704A	A3 1.8T	1996,99	1.8L	G
5304-710-0504	1-D-3337	Water	5303-988-0035	AUDI	06A145704A	TT	1998	1.8L	G
5304-710-0504	1-D-3632	Oil	5304-988-0016	AVIA		Vehicle	1996	3.6L	D
5304-710-0505	1-D-3615	Oil	5304-988-0013	CITROEN	0375C0	ZX XUD9BSD	1998-00	1.9L	D
5304-710-0505	1-D-3615	Oil	5304-988-0013	PEUGEOT	9633828080	306 XUD9BSD	1998	1.9L	D
5304-710-0506	1-D-2169	Oil	5304-988-0017	FORD	984F6K682AF/AG	Transit -	1999	2.5L	D
5304-710-0507	1-D-3601	Water	5304-988-0020	AUDI	06A145704M	S3 1.8	1999	1.8L	G
5304-710-0507	1-D-3601	Water	5304-988-0020	AUDI	06A145704M	TT 1.8	1999	1.8L	G
5304-710-0507	1-D-3601	Water	5304-988-0022	AUDI	06A145704P	S3 1.8	1999	1.8L	G
5304-710-0507	1-D-3601	Water	5304-988-0022	AUDI	06A145704P	TT 1.8	1999	1.8L	G
5304-710-0507	1-D-3601	Water	5304-988-0023	AUDI	06A145704Q	S3 1.8	2000	1.8L	G
5304-710-0507	1-D-3601	Water	5304-988-0023	AUDI	06A145704Q	TT 1.8	2000	1.8L	G
5304-710-0509	1-D-3607	Oil	5304-988-0007	TATA		Sierra Pick-Up	1994	1.95L	D
5304-710-0509	1-D-3607	Oil	5304-988-0019	STEYR		M14	1998	2.13L	D
5304-710-0511	1-D-3608	Oil	5304-988-0024	OPEL	90423508	Astra Coupe	2000	2.0L	G
5304-710-0511	1-D-3608	Oil	5304-988-0024	OPEL	90423508	Zafira OPC	2000	2.0L	G
5304-710-0512	1-D-3606	Water	5304-988-0028	AUDI	077145703P	RS6 4.2-V8	2002	4.2L	G
5304-710-0512	1-D-3606	Water	5304-988-0029	AUDI	077145704K	RS6 4.2-V8	2002	4.2L	G

NOTE: TRANSIT Turbine wheel tip height ("B" on Major Components) 0.311"/7.90mm on early models to 1997, 0.245"/6.22mm on later models.



## MAJOR COMPONENT - Borg Warner (K K K)

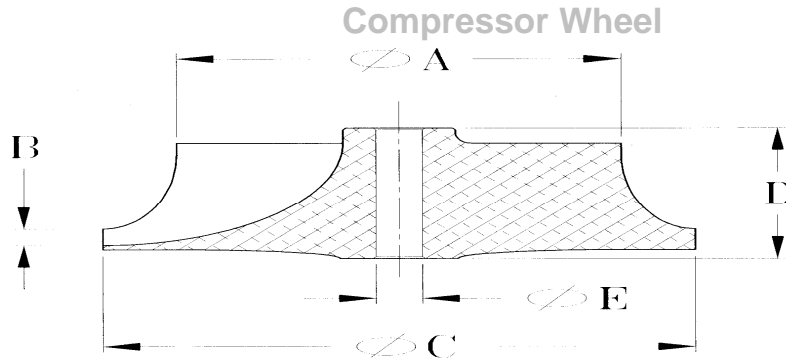
### Turbine Wheel



OEM Part No.	TI Part no.	Turbo Model/ Application	Exducer "OA"	Tip Height "B"	Inducer "OC"	Journal "OD"	Stem "OE"	Nose style/ No. of blades	Shaft thread "F"	Inches/ Metric
5303-120-5010	2-D-3031	KO3	1.484	0.274	1.773	0.275	0.181	Long 11	M4.5 X 0.5 LH Fine thread	ins.
			37.69	6.96	45.03	6.99	4.60			mms.
5303-120-5014	2-D-3130	KO3	1.484	0.270	1.773	0.275	0.181	Long 11	M4.5 X 0.5 LH Fine thread	ins.
			37.69	6.86	45.03	6.99	4.60			mms.
5303-120-5015	2-D-3123	KO3	1.324	0.267	1.773	0.275	0.181	Long 11	M4.5 X 0.5 LH Fine thread	ins.
			33.63	6.78	45.03	6.99	4.60			mms.
5303-120-5023	2-D-3195	KO3	1.588	0.268	1.773	0.275	0.181	Long 11	M4.5 X 0.5 LH Fine thread	ins.
			40.34	6.81	45.03	6.99	4.60			mms.
5303-120-5027	2-D-3630	KO3	1.484	0.270	1.773	0.275	0.181	Long 11	M4.5 X 0.5 LH Fine thread	ins.
			37.69	6.86	45.03	6.99	4.60			mms.
5304-120-5008	2-D-2272	KO4	1.654	0.311	1.968	0.275	0.181	Short 12	M4.5 X 0.5 LH Fine thread	ins.
			42.01	7.90	49.99	6.99	4.60			mms.
5304-120-5009	2-D-3599	KO4	1.752	0.287	1.968	0.275	0.181	11	M4.5 X 0.5 LH Fine thread	ins.
			44.50	7.29	49.99	6.99	4.60			mms.
5304-120-5010	2-D-2793	KO4	1.650	0.254	1.968	0.275	0.181	Long 11	M4.5 X 0.5 LH Fine thread	ins.
			41.91	6.45	49.99	6.99	4.60			mms.
5304-120-5015	2-D-3602	KO4	1.650	0.254	1.968	0.275	0.181	Long 11	M4.5 X 0.5 LH Fine thread	ins.
			41.91	6.45	49.99	6.99	4.60			mms.
5304-120-5018	2-D-3609	KO4	1.752	0.234	1.968	0.275	0.181	Long 11	M4.5 X 0.5 LH Fine thread	ins.
			44.50	5.94	49.99	6.99	4.60			mms.



## MAJOR COMPONENT - Borg Warner (K K K )



OEM Part No.	TI Part no.	Turbo Model/ Application	Inducer "OA"	Tip height "B"	Exducer "OC"	Hub Length "D"	Bore "OE"	No. of blades	Inches/metric
5303-123-2007	3-D-3517	KO3	1.326	0.182	1.770	1.010	0.181	4/4	ins.
			33.68	4.62	44.96	25.65	4.60		mms.
5303-123-2011	3-D-2276	KO3	1.238	0.123	1.770	1.010	0.181	4/4	ins.
			31.45	3.12	44.96	25.65	4.60		mms.
5303-123-2018	3-D-3124	KO3	1.324	0.146	1.812	1.010		6/6	ins.
			33.63	3.71	46.02	25.65	0.00		mms.
5303-123-2021	3-D-3558	KO3	1.356	0.160	1.812	1.010	0.181	4/4	ins.
			34.44	4.06	46.02	25.65	4.60		mms.
5304-123-2000	3-D-2558	KO4	1.374	0.147	1.967	1.010	0.174	6/6	ins.
			34.90	3.73	49.96	25.65	4.42		mms.
5304-123-2005	3-D-2736	KO4	1.374	0.142	1.967	1.010	0.181	6/6	ins.
			34.90	3.61	49.96	25.65	4.60		mms.
5304-123-2007	3-D-2277	KO3/KO4	1.416	0.145	1.967	1.010	0.181	6/6	ins.
			35.97	3.68	49.96	25.65	4.60		mms.
5304-123-2015	3-D-3603	KO4	1.648	0.229	2.207	1.010	0.181	4/4	ins.
			41.86	5.82	56.06	25.65	4.60		mms.
5304-123-2023	3-D-3593	KO4	1.443	0.159	2.006	1.010	0.181	6/6	ins.
			36.65	4.04	50.95	25.65	4.60		mms.
5304-123-2029	3-D-3204	KO4	1.494	0.173	2.006	1.010	0.181	5/5	ins.
			37.95	4.39	50.95	25.65	4.60		mms.
5304-123-2201	3-D-3133	KO3	1.515	0.184	2.006	1.010	0.181	6/6	ins.
			38.48	4.67	50.95	25.65	4.60		mms.
5304-123-2202	3-D-3592	KO4	1.486	0.174	2.006	1.010	0.181	6/6	ins.
			37.74	4.42	50.95	25.65	4.60		mms.



## MAJOR COMPONENT - Borg Warner (K K K )

### Bearing Housing

OEM Part No.	TI Part no.	Turbo Model/ Application	Oil Inlet	OutletOil	Outlet Flange Holes	Water Ports	Oil feed syle	Cooling
5304-150-0006	4-D-2275	KO3/KO4	M12X1.5	M15.9 bore	M6X1.0	M14X1.5	Single	Water
5304-150-0004	4-D-2430	KO4	M12X1.5	M12.2 bore	M6X1.0	N/A	Single	Oil
5304-151-0006	4-D-3338	KO4	M10X1.0	M12.2 bore	M6X1.0	N/A	Dual	Oil
5304-150-0009	4-D-3336	KO3/KO4	M12X1.5	M15.9 bore	M6X1.0	M14X1.5	Single	Water
5304-150-0011	4-D-2274	KO3/KO4	M12X1.5	M12.2 bore	M6X1.0	N/A	Dual	Oil
5304-150-0014	4-D-3631	KO3	M12X1.5	M12.2 bore	M6X1.0	N/A	Dual	Oil
5304-150-0015	4-D-3604	KO3	M12X1.5	M15.9 bore	M6X1.0	M14X1.5	Single	Water
5304-150-0016	4-D-3610	KO3	M12 X 1.5	M15.9 bore	M6 X 1.0	M14X1.5	Single	Water
5304-101-0017	4-D-3614	KO3	M12 X 1.5	M15.9 bore	M6 X 1.0	M14X1.5	Single	Water



## MAJOR COMPONENT - Borg Warner (K K K)

### Backplate

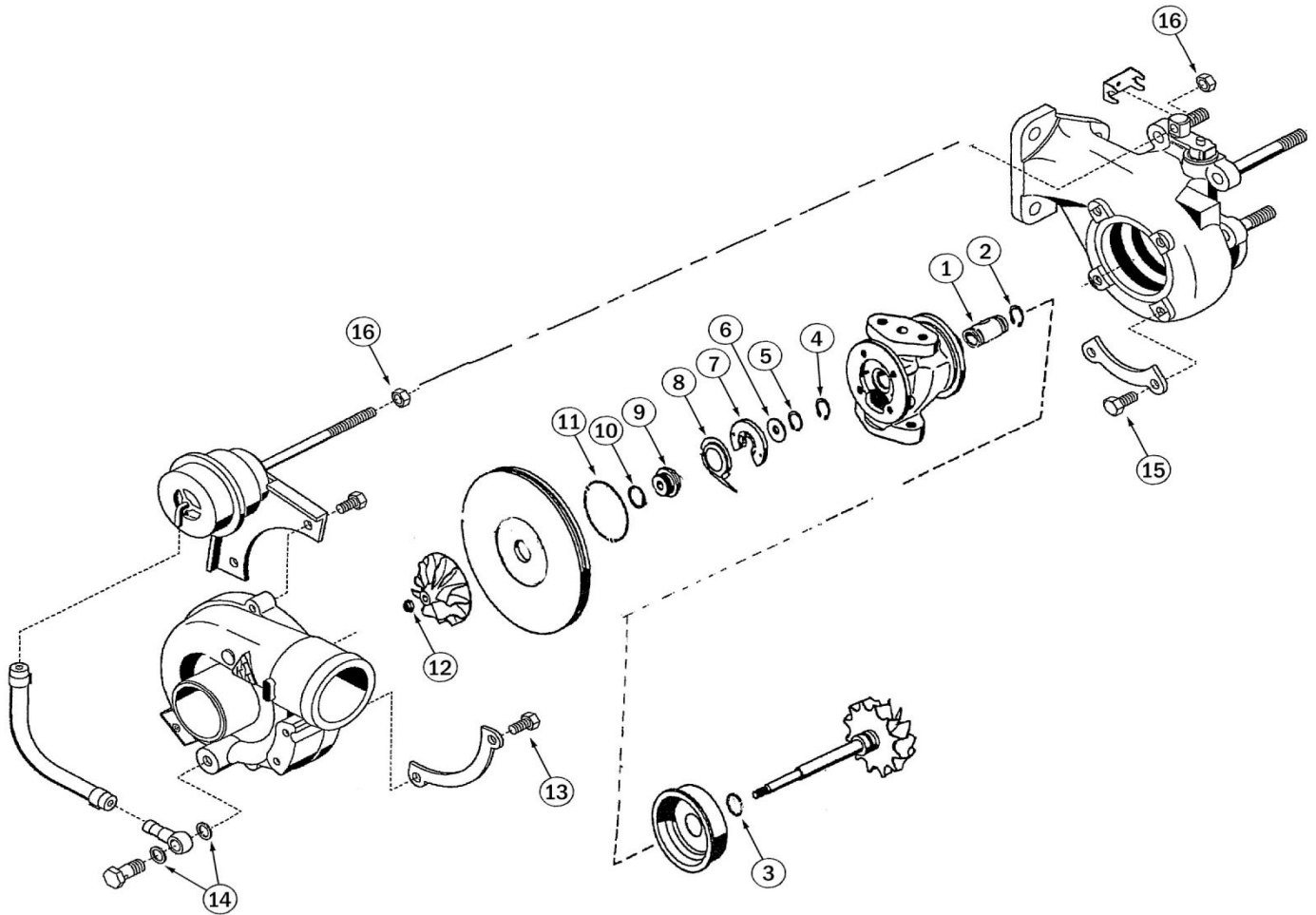
OEM Part No.	TI Part no.	Turbo Model	Compressor wheel bore	Backplate OD	
				Main	Secondary
5303-151-5700	5-D-2572	KO3	1.82" 46.2 mm	4.445" 112.90 mm	2.81" 71.4 mm
5303-151-5701	5-D-2278	KO3	1.82" 46.2 mm	4.445" 112.90 mm	2.82" 71.7 mm
5304-151-5702	5-D-2279	KO3/4	2.02" 51.2 mm	4.445" 112.90 mm	2.98" 75.7 mm
5304-151-5700	5-D-2280	KO3/4	2.02" 51.2 mm	4.445" 112.90 mm	2.98" 75.7 mm
5304-151-5705	5-D-3122	KO3/4	1.86" 47.3 mm	4.445" 112.90 mm	2.98" 75.7 mm
5304-151-5703	5-D-3127	KO3/4	1.82" 46.2 mm	4.445" 112.90 mm	2.98" 75.7 mm
5304-151-5708	5-D-3605	KO3/4	2.26" 57.4 mm	4.445" 112.90 mm	3.42" 86.8 mm
5304-151-5713a	5-D-3128	KO3/4	1.85" 47.0 mm	4.285" 108.84 mm	2.98" 75.7 mm
5304-151-5712a	5-D-3132	KO3/4	2.05" 52.1 mm	4.445" 112.90 mm	3.36" 85.2 mm
5304-151-5714	5-D-3589	KO3/4	2.05" 52.1 mm	4.363" 110.82 mm	3.56" 90.3 mm
5304-151-5716	5-D-3633	KO3/4	2.05" 52.1 mm	4.285" 108.84 mm	3.36" 85.2 mm

### Heatshield

OEM Part No.	TI Part No.	Turbo Model/ Application	Design	Diameter			
				Inside	Outside	Inducer	
5303-165-2000	6-D-2281	K03/K04	Recessed dome	0.61	2.43	1.80	ins.
				15.5	61.7	45.7	mms.
5304-165-2000	6-D-2282	K04	Flat dome	0.61	2.43	1.98	ins.
				15.5	61.7	50.3	mms.

**K03**

**K04**





## SERVICE KIT - K K K

KO3

KO4

KO6

Item no.	Description	TI Part no.	Qty/ Turbo	TI Kit no.			
				7-D-2557	7-D-2520	7-D-2562	7-D-1780
				<i>note (i)</i>	<i>note(i)</i>	<i>note(ii)</i>	<i>note(ii)</i>
1	Journal bearing,single oil feed	8-D-1816	1	-	-	✓	✓
1	Journal bearing,dual oil feed	8-D-2498	1	✓	✓	-	-
2	Retaining ring/circlip	8-D-0919	1	✓	✓	✓	✓
3	Piston ring, t/end	8-D-0923	1	✓	✓	✓	✓
4	Locking clip, jnl/brg.	8-D-1963	1	✓	✓	✓	✓
5	Retaining ring, circlip, t/brg.	8-D-2417	1	✓	✓	✓	✓
6	Flinger sleeve,0.182"/4.60mm bore	8-D-2283	1	✓	-	✓	-
7	Thrust bearing	8-D-1961	1	✓	✓	✓	✓
8	Oil deflector	8-D-2472	1	✓	-	✓	-
9	Thrust collar,0.182"/4.60mm bore	8-D-2285	1	✓	-	✓	-
10	Piston ring, c/end	8-D-1782	1	✓	✓	✓	✓
11	O ring, brg/hsg.	8-D-1818	1	✓	✓	✓	✓
	O ring, b/plate-brg/hsg.	8-D-3175	1	-	-	-	-
12	Locknut,M4x0.7-6H RH	8-D-2287	1	-	-	-	✓
12	Locknut,M4.5x0.5-6H LH	8-D-2288	1	✓	✓	✓	✓
13	Bolt,c/e,hex.head M6x1.0-6Hx12mm	8-D-0917	4	✓	✓	✓	✓
14	Washer, hose, aluminum	8-D-2556	2	✓	✓	✓	✓
15	Bolt,t/e,hex.head M6x1.0-6Hx10mm	8-D-0918	4	✓	✓	✓	✓
16	Locknut, hex head M6x1.0	8-D-1319	2	✓	✓	✓	✓
	Washer, water port, copper	8-D-2555	1	✓	✓	✓	✓
	Plug, water port	8-D-2554	1	-	-	-	-
		8-D-3175					

Note (i) Fits KO3 with dual oil feed grooved bearing

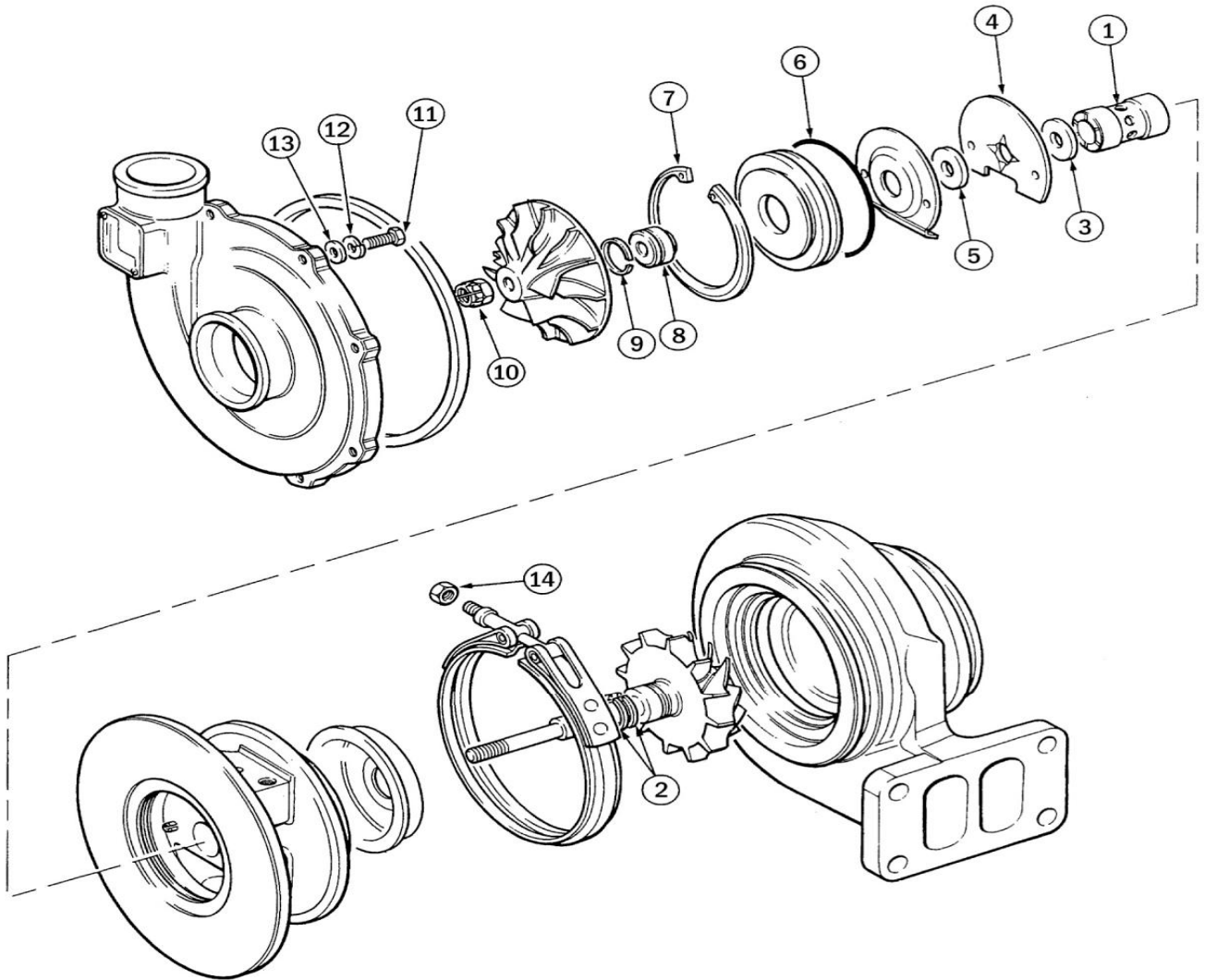
(ii) Fits KO3 & KO4 with plain o/d bearing

See JOURNAL BEARING section for oversize & under-size parts - page 47

See PISTON RING section for oversize parts - page 51



# 3LD



K K K-6/23/2008-29

All names, numbers, symbols and descriptions are for reference purposes only, and do not imply that any part is the product of these manufacturers.



## SERVICE KIT - K K K

3LD

3LDZ

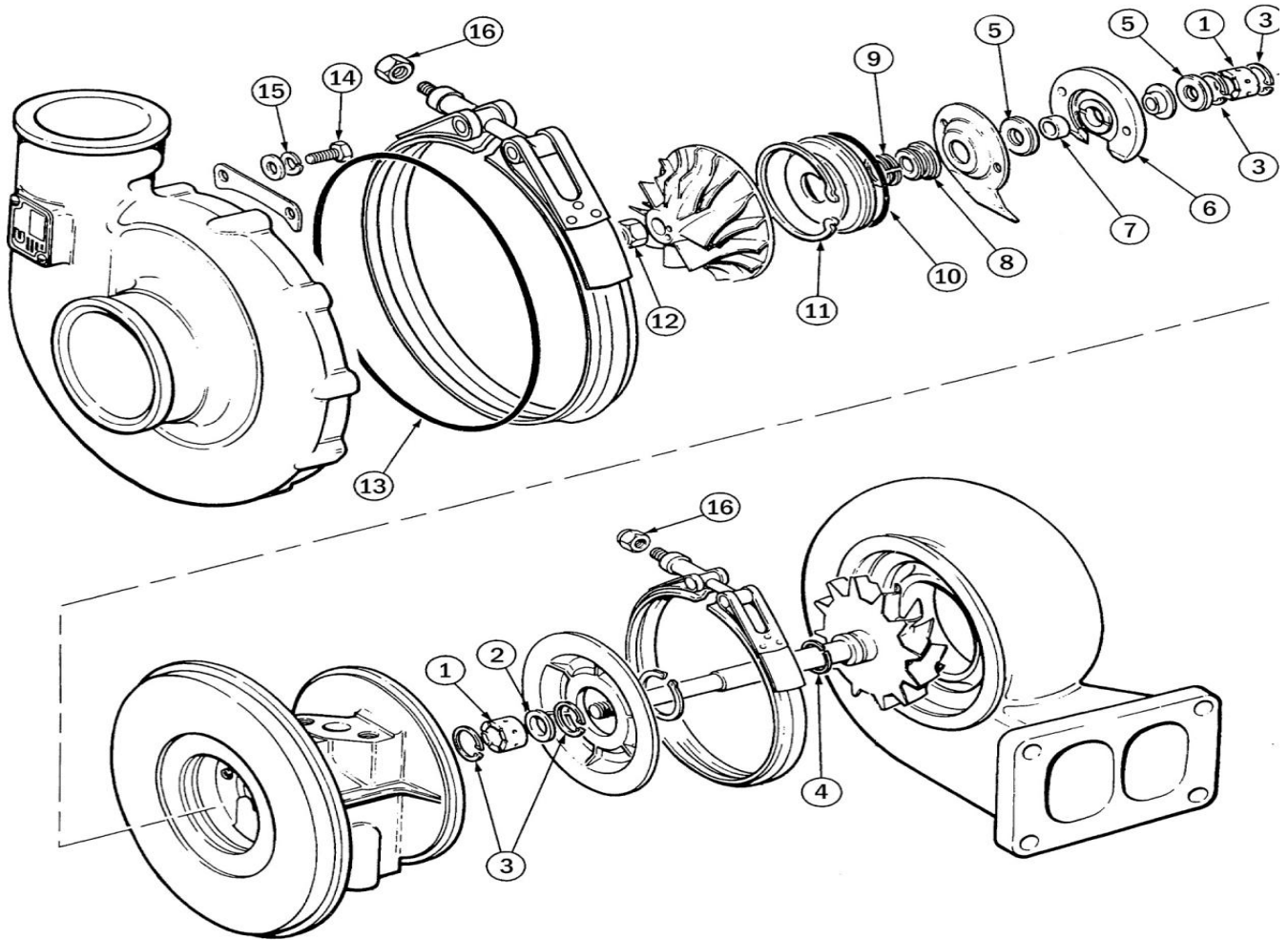
Item no.	Description	TI Part no.	Qty/ Turbo	TI Kit no.	
				7-B-0730	7-D-1703
1	Journal bearing	8-B-1025	1	✓	✓
2	Piston ring, t/end,smooth bore	8-B-0391	2	✓	✓
2	Piston ring, t/end,step bore	8-B-0387	1	✓	✓
3	Thrust washer	8-B-0384	1	-	-
4	Thrust bearing	8-B-0731	1	✓	✓
5	Thrust ring	8-B-0078	1	-	-
6	O ring, s/plate	8-B-0064	1	✓	✓
7	Retaining ring, s/plate	8-B-0077	1	✓	-
8	Oil slinger	-	1	-	-
9	Piston ring, c/end	8-B-0391	1	✓	✓
10	Locknut, shaft	8-B-0417	1	✓	✓
11	Bolt, c/end	-	6	-	-
12	Lockwasher, c/end	8-B-0521	8	✓	✓
13	Washer, c/end	8-B-0790	8	-	✓
14	Locknut, V band	8-B-0523	1	✓	-
	Gasket, oil inlet	8-B-0093	1	✓	
	Gasket, oil outlet	8-B-0094	1	✓	
	Gasket, turbine inlet	8-A-0271	1	✓	

Single port, 4.25" x 2.375"

See JOURNAL BEARING section for oversize & under-size parts - page 48

See PISTON RING section for oversize parts - page 50

# 4LE



K K K-6/23/2008-31

All names, numbers, symbols and descriptions are for reference purposes only, and do not imply that any part is the product of these manufacturers.



## SERVICE KIT - K K K

4LE

4LF

4LG

4LGZ

Item no.	Description	TI	Qty/	TI kit no.
		Part no.	Turbo	7-B-0640
1	Journal bearing	8-B-0076	1	✓
2	Oil control sleeve	8-B-0396	1	✓
3	Retaining ring, j/brg.	8-B-0517	4	✓
4	Piston ring, t/end, step bore	8-B-0387	1/2	✓
4	Piston ring, t/end, smooth bore	8-B-0391	1/2	✓
5	Thrust ring	8-B-0052	2	-
6	Thrust bearing	8-B-0088	1	✓
7	Thrust spacer	8-B-0982	1	-
8	Oil slinger	8-B-1584	1	-
9	Piston ring, c/end	8-B-0527	1/2	-
9	Piston ring, c/end	8-B-0391	2	✓
10	O ring, s/plate	8-B-0064	1	✓
11	Retaining ring, s/plate	8-B-0077	1	✓
12	Locknut, shaft	8-B-0397	1	✓
12	Locknut, shaft	8-B-2867	1	-
13	O ring, c/hsg	8-B-0390	1	✓
14	Bolt, c/end	8-A-0169	10	-
15	Lockwasher, c/end	8-B-0096	10	-
15	Lockwasher, c/end	8-B-0521	10	-
16	Locknut, V band	8-B-0523	2	✓
	Lockplate, t/end	8-B-0418	4	-
	Bolt, t/end	8-A-0172	10	-
	Gasket, oil inlet	8-B-0093	1	✓
	Gasket, oil outlet	8-B-0094	1	✓
	Gasket, turbine inlet	8-B-0987	1	✓
	Gasket, oil outlet	8-B-3119	1	
	Gasket, oil outlet	8-A-0270	1	

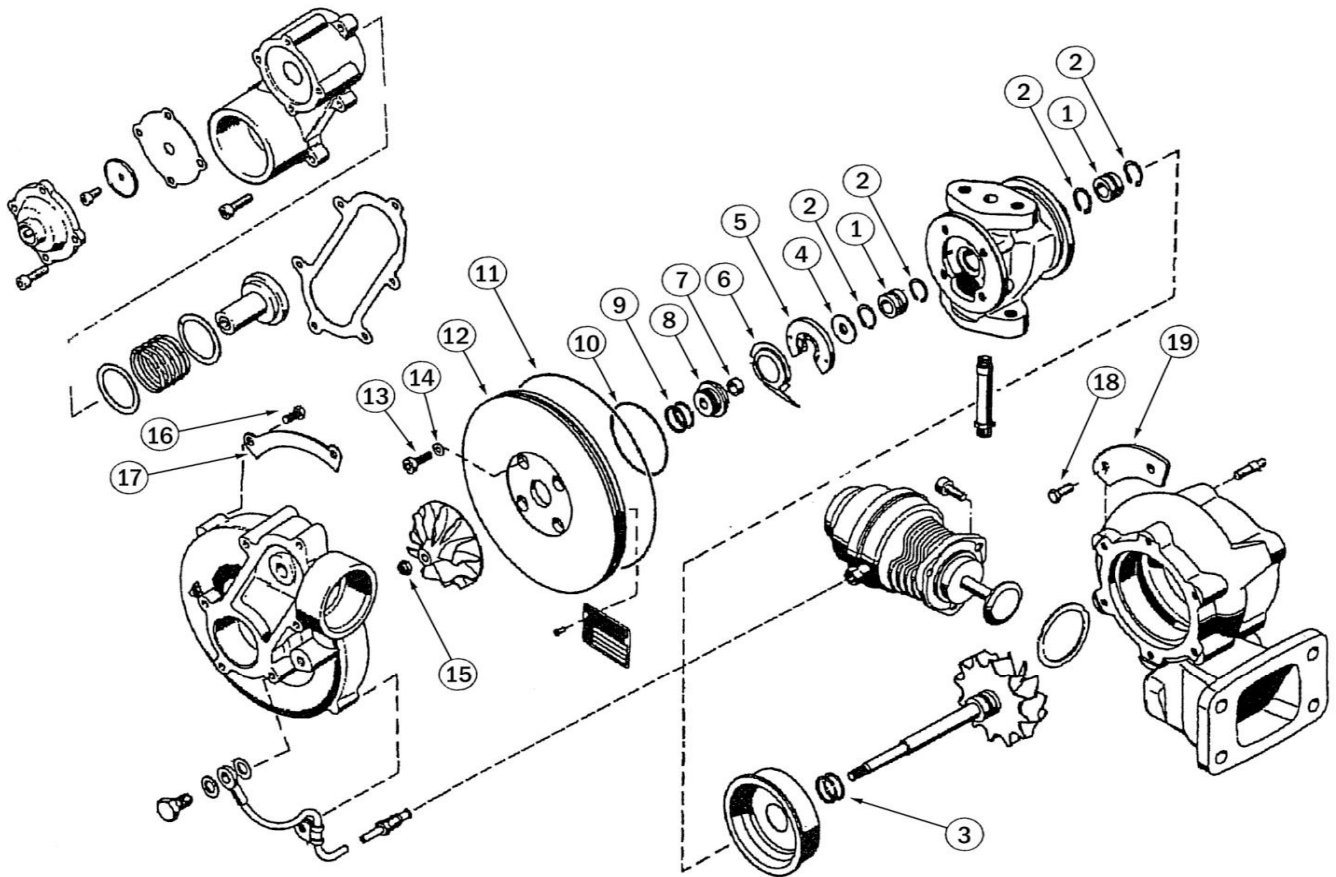
See JOURNAL BEARING section for oversize & under-size parts - page 26

See PISTON RING section for oversize parts - page 52

**K14**

**K16**

**K24**





# SERVICE KIT-K K K

K14

K16

K24

j/brg o/d .5113-.5118", i/d .3344-.3349"

j/brg o/d 12.99-13.00mm, i/d 8.49-8.51mm

Item no.	Description	TI Part no.	Qty/ Turbo	TI Kit no.			
				7-D-1168	7-D-1148	7-D-2566	7-D-1328
				<i>Note (i)</i>	<i>Note (ii)</i>	<i>Note (i)</i>	<i>Note (iii)</i>
1	Journal bearing	8-D-0910	2	✓	✓	✓	✓
2	Retaining ring, jnl/brg.	8-D-0919	4	✓	✓	✓	✓
3	Piston ring, t/end	8-D-0406	1	-	-	-	✓
3	Piston ring, t/end	8-D-0923	1/2	✓	✓	✓	-
4	Thrust ring	8-D-2534	1	-	-	✓	-
5	Thrust bearing, 360°	8-D-1706	1	-	-	-	✓
5	Thrust bearing, 360°	8-D-1961	1	✓	✓	✓	-
6	Oil deflector, K14/K16	8-D-0914	1	✓	✓	✓	-
6	Oil deflector, K24	8-D-1323	1	-	-	-	✓
7	Spacer sleeve	8-D-2533	1	-	-	✓	-
8	Flinger sleeve	8-D-2532	1	-	-	✓	-
9	Piston ring, c/end	8-D-0668	1/2	-	-	-	✓
9	Piston ring, c/end	8-D-0923	1/2	✓	✓	✓	-
10	O ring, s/plate to b/hsg	8-D-0922	1	✓	-	✓	-
10	O ring, s/plate to b/hsg	8-B-0064	1	-	-	-	✓
10	O ring, s/plate to b/hsg	8-D-0921	1	-	✓	✓	-
11	O ring, s/plate to comp/hsg	8-D-1117	1	✓	-	✓	-
11	O ring, s/plate to comp/hsg	8-D-2941	1	✓	-	-	-
11	O ring, s/plate to comp/hsg	8-D-0407	1	-	-	-	✓
11	O ring, s/plate to comp/hsg	8-D-1125	1	-	-	-	✓
12	Sealplate	-	1	-	-	-	-
13	Bolt, seal plate	8-D-0412	4	-	-	-	✓
13	Bolt, seal plate	8-D-0916	4	✓	✓	✓	-
14	Washer, seal plate	8-D-1118	4	✓	✓	✓	-
14	Washer, seal plate	8-D-1516	4	-	-	-	✓
15	Locknut, shaft RH thread	8-D-0920	1	✓	✓	✓	✓
15	Locknut, shaft LH thread	8-D-2373	1	✓	✓	✓	✓
16	Bolt, c/end	8-D-0917	4	✓	✓	✓	-
16	Bolt, c/end	8-D-0411	6	-	-	-	✓
17	Clamp, c/end	8-D-1286	1	-	-	-	-
17	Clamp, c/end	8-D-1034	1	-	-	-	-
17	Clamp, c/end	8-D-1317	3	-	-	-	-
17	Clamp, c/end	8-D-1326	1	-	-	-	-
17	Clamp, c/end	8-D-0915	2	-	-	-	-
18	Bolt, t/end	8-D-0918	6	✓	✓	✓	-
18	Bolt, t/end	8-D-1708	6	-	-	-	-
18	Bolt, t/end	8-D-0410	4	-	-	-	✓
18	Bolt, t/end	8-D-1116	4	✓	✓	-	-
18	Bolt, t/end	8-D-1325	4	-	-	-	✓
19	Clamp, t/end	8-D-1035	3	-	-	-	-
19	Clamp, t/end	8-D-0409	3	-	-	-	-
19	Clamp, t/end	8-D-0913	3	-	-	-	-
19	Clamp, t/end	8-D-1286	3	-	-	-	-
20	Bolt, wastegate	8-D-1119	3	-	-	-	-

Note (i) K14 & K16 360° thrust bearing

(ii) K14, K16 & K24 360° thrust bearing

(iii) K16 & K24 270° thrust bearing

See JOURNAL BEARING section for o/size & u/size parts-page 5 See PISTON RING section for o/size parts-page 53





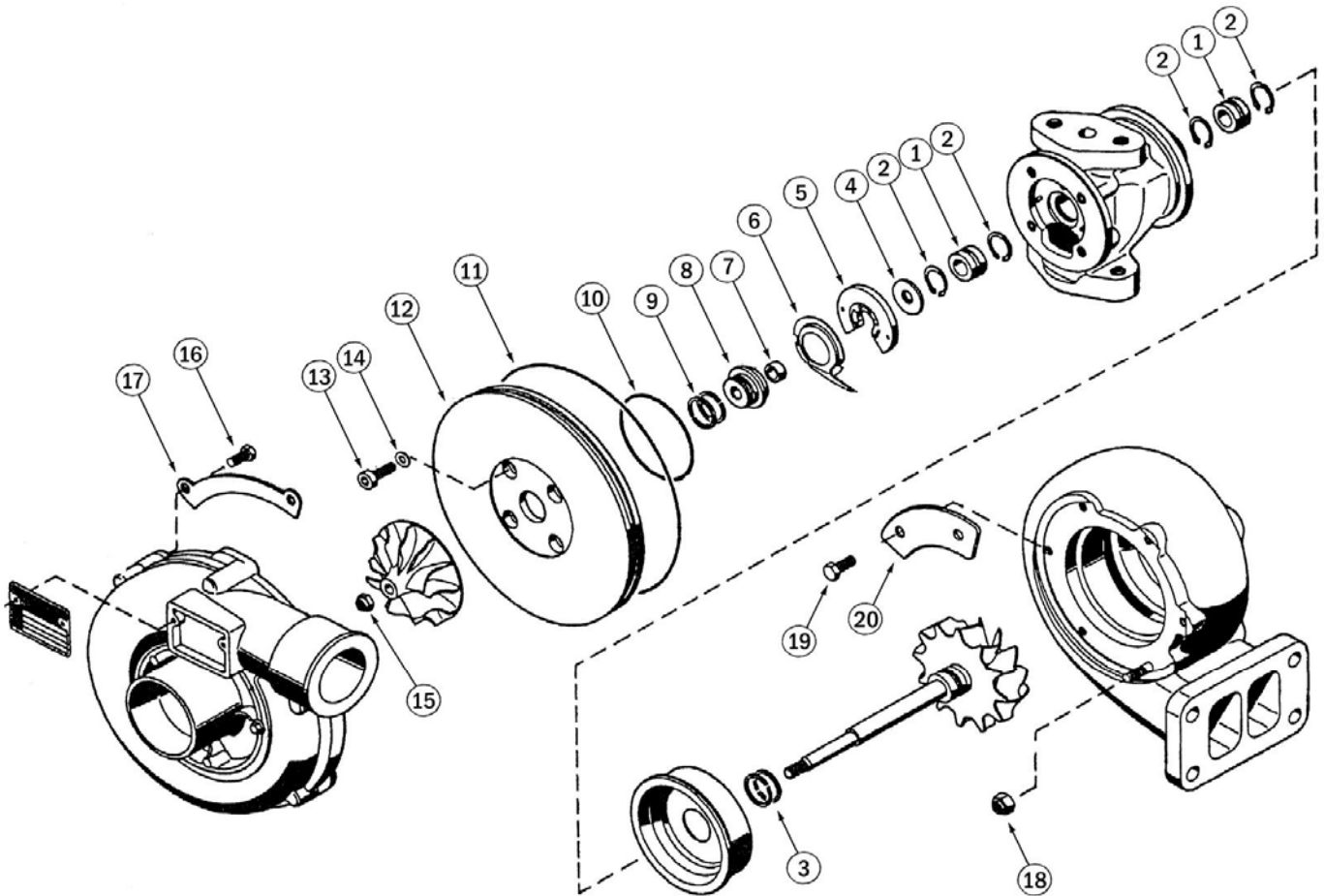
K24

K26

K27

K28

K29



K K K-6/23/2008-35

All names, numbers, symbols and descriptions are for reference purposes only, and do not imply that any part is the product of these manufacturers.





## SERVICE KIT - K K K

K24

K26

K27

K28

K29

Item no.	Description	TI Part no.	Qty/ Turbo	TI Kit no.				
				7-D-0666	7-D-0669	7-D-1355	7-D-1705	7-D-2944
				Note (i)	Note (ii)	Note (ii)	Note (iii)	
1	Journal bearing, 0.052" oil feed hole	8-D-0670	2	-	✓	✓	✓	✓
1	Journal bearing, 0.078" oil feed hole	8-D-0392	2	✓	-	-	-	-
2	Retaining ring, jnl/brg.	8-A-0149	4	✓	✓	✓	✓	✓
3	Piston ring, t/end	8-D-0668	2	✓	✓	✓	✓	✓
4	Thrust ring	8-D-1586	1	-	-	-	-	-
5	Thrust bearing, 270°	8-D-0403	1	✓	✓	✓	-	-
5	Thrust bearing, 360°	8-D-1706	1	-	-	-	✓	✓
6	Oil deflector	8-D-0413	1	✓	✓	-	✓	-
7	Spacer sleeve	8-D-1361	1	-	-	-	-	-
8	Flinger sleeve	8-D-1524	1	-	-	-	-	-
9	Piston ring, c/end	8-D-0406	1/2/4	✓	✓	✓	✓	✓
10	O ring, s/plate to b/hsg	8-B-0064	1	✓	✓	✓	✓	✓
11	O ring, b/hsg to comp/hsg	8-D-0407	1	✓	✓	-	-	-
11	O ring, b/hsg to comp/hsg	8-D-1373	1	-	-	-	✓	✓
11	O ring, b/hsg to comp/hsg	8-D-1337	1	-	-	✓	-	-
11	O ring, b/hsg to comp/hsg	8-D-1352	1	-	-	-	-	-
11	O ring, b/hsg to comp/hsg	8-D-1125	1	-	-	-	-	-
12	Sealplate	-	1	-	-	-	-	-
13	Bolt, seal plate	8-D-0412	4	✓	✓	✓	✓	✓
14	Washer, seal plate	8-D-1516	4	✓	✓	✓	✓	✓
15	Locknut, shaft RH thread	8-D-0402	1	-	-	-	-	-
15	Locknut, shaft RH thread	8-D-1707	1	✓	✓	✓	✓	✓
15	Locknut, shaft LH thread	8-D-2273	1	-	-	-	-	-
16	Bolt, c/end	8-D-0411	6	✓	✓	✓	-	-
16	Bolt, c/end	8-D-0917	8	-	-	✓	✓	-
17	Clamp, c/end	8-D-0408	3	-	-	-	-	-
17	Clamp, c/end	8-D-1326	6	-	-	-	-	-
17	Clamp, c/end	8-D-1346	3	-	-	-	-	-
17	Clamp, c/end	8-D-1034	3	-	-	-	-	-
17	Clamp, c/end	8-D-1338	3	-	-	-	-	-
17	Clamp, c/end	8-D-1317	3	-	-	-	-	-
18	Nut, t/end	8-D-0410	6	✓	✓	-	-	-
19	Bolt, t/end	8-B-1708	6	-	-	-	✓	✓
19	Bolt, t/end	8-D-1325	6	-	-	-	-	-
19	Bolt, t/end	8-B-0401	6	-	-	✓	-	-
19	Bolt, t/end	8-D-2943	6	-	-	-	-	-
20	Clamp, t/end	8-D-1363	3	-	-	-	-	-
20	Clamp, t/end	8-D-1318	3	-	-	-	-	-
20	Clamp, t/end	8-D-1340	3	-	-	-	-	-
	Gasket, oil outlet ( paper )	8-D-3096	1	-	-	-	-	-
	Gasket, oil inlet ( paper )	8-D-3088	1	-	-	-	-	-

Note (i) Fits K26 with bearing oil feed hole dia. of 0.078"/1.98mm & 270° thrust bearing

(ii) Fits K24, K26, K27, K28 & K29 with oil feed hole dia. of 0.052"/1.32mm oil feed hole dia. & 270° thrust bearing

(iii) Fits K26 & K27 with oil feed hole dia. of 0.052"/1.32mm oil feed hole dia. & 360° thrust bearing

See JOURNAL BEARING section for o/size & u/size parts-page 5 See PISTON RING section for o/size parts-page 54

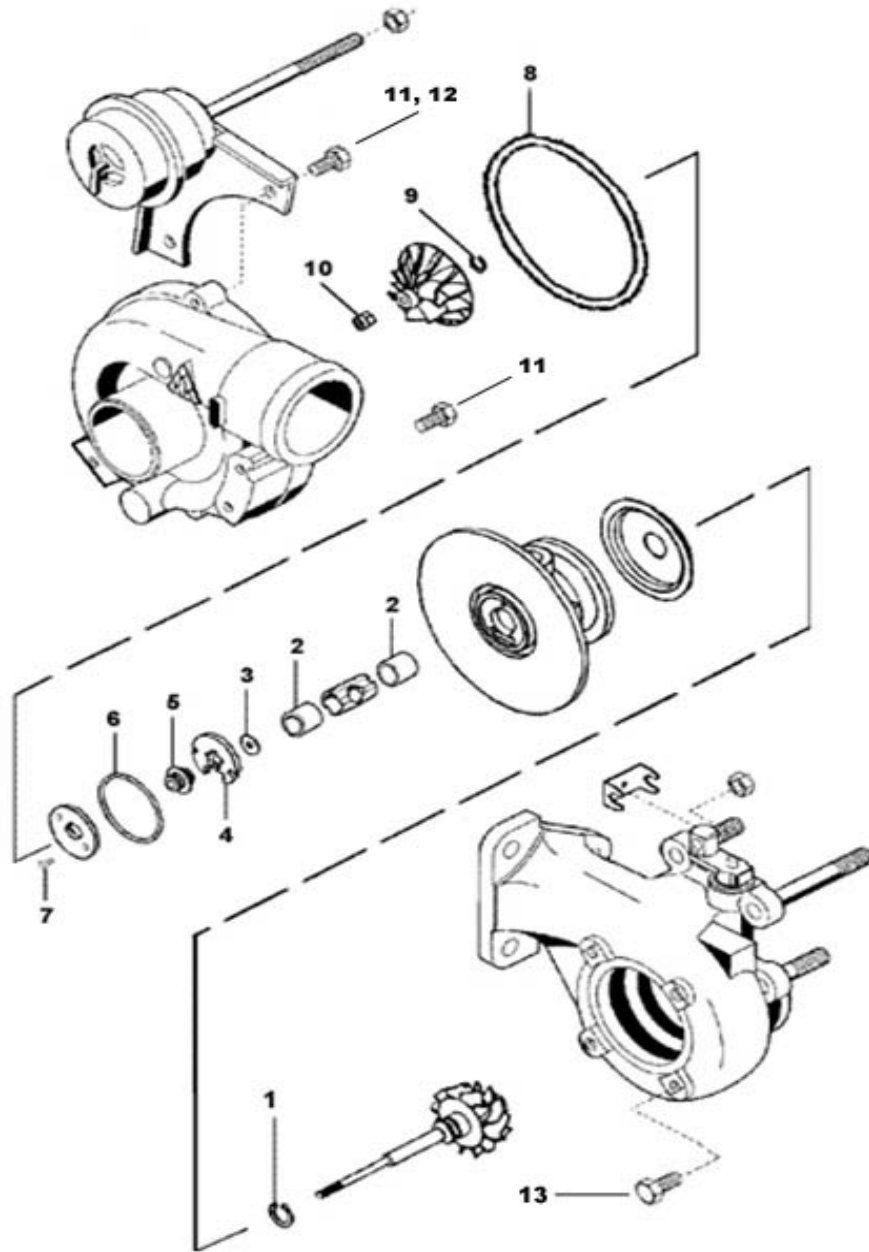


KP31

KP35

BV39

KP39



K K K-7/17/2009-37

All names, numbers, symbols and descriptions are for reference purposes only, and do not imply that any part is the product of these manufacturers.



## SERVICE KIT - K K K

KP31

KP35

BV39

KP39

Item no.	Description	TI Part no.	Qty/ Turbo	TI Kit no.			
				7-D-3708	7-D-3557	7-D-3707	7-D-3616
1	Piston ring, t/end	8-D-3636	1	✓	✓	✓	✓
2	Journal bearing	8-D-3546	2	✓	✓	✓	✓
5	Flinger sleeve, 12.6 mm tall	8-D-3549	1	✓	✓	-	-
5	Flinger sleeve, 9.8 mm tall	8-D-3628	1	✓	-	✓	-
4	Thrust bearing	8-D-3548	1	✓	✓	✓	✓
3	Thrust ring	8-D-3547	1	✓	✓	✓	-
6	O ring, brg/hsg.Ø 35x1.5mm	8-D-3550	1	✓	✓	✓	✓
10	Locknut,M4x0.5 LH	8-D-3553	1	✓	✓	✓	✓
7	Bolt,b'hsg. insert M3x0.50	8-D-3552	2	✓	✓	✓	✓
9	Piston ring, c/end	8-D-3636	1	✓	✓	✓	✓
8	O ring, s/plate KP35 Ø 76x1.5mm	8-D-1117	1	✓	✓	✓	✓
8	O ring, s/plate KP39 Ø 102x2.5mm	8-D-3617	1	✓	✓	✓	✓
8	O ring, s/plate KP31 Ø 63x1.5mm	8-D-3618	1	✓	✓	✓	✓
8	O ring, s/plate KP35 Ø 92x2.5mm	8-D-3619	1	✓	✓	✓	✓
11	Bolt, c'hsg, actuator, M6x1.0	8-D-3554	6	✓	✓	✓	-
12	Clamp washer	8-D-4034	2	✓	✓	✓	-
13	Bolt, t'hsg, M6x1.0	8-D-0917	3	✓	✓	✓	-

See JOURNAL BEARING section for oversize & under-size parts - page 47

See PISTON RING section for oversize parts - page 51



This page has been intentionally left blank