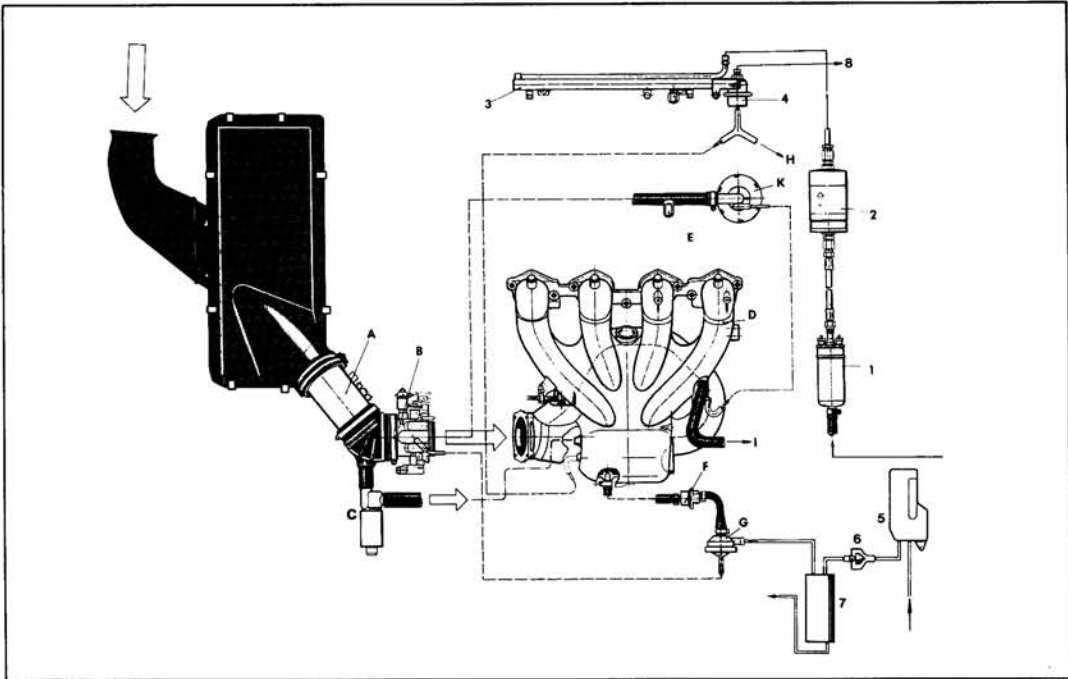


Fuel vacuum line routing

Engine Type M 44.43/44



1088-20

- | | |
|---------------------------|------------------------|
| A - Air flow meter | 1 - Fuel pump |
| B - Throttle body | 2 - Fuel filter |
| C - Idle speed positioner | 3 - Injection line |
| D - Inlet manifold | 4 - Pressure regulator |
| E - Overflow valve | 5 - Expansion tank |
| F - Tank venting valve | 6 - Roll-over valve |
| G - Vacuum valve | 7 - Carbon canister |
| H - Heating | 8 - Return to tank |
| I - Brake booster | |
| K - Oil separator | |