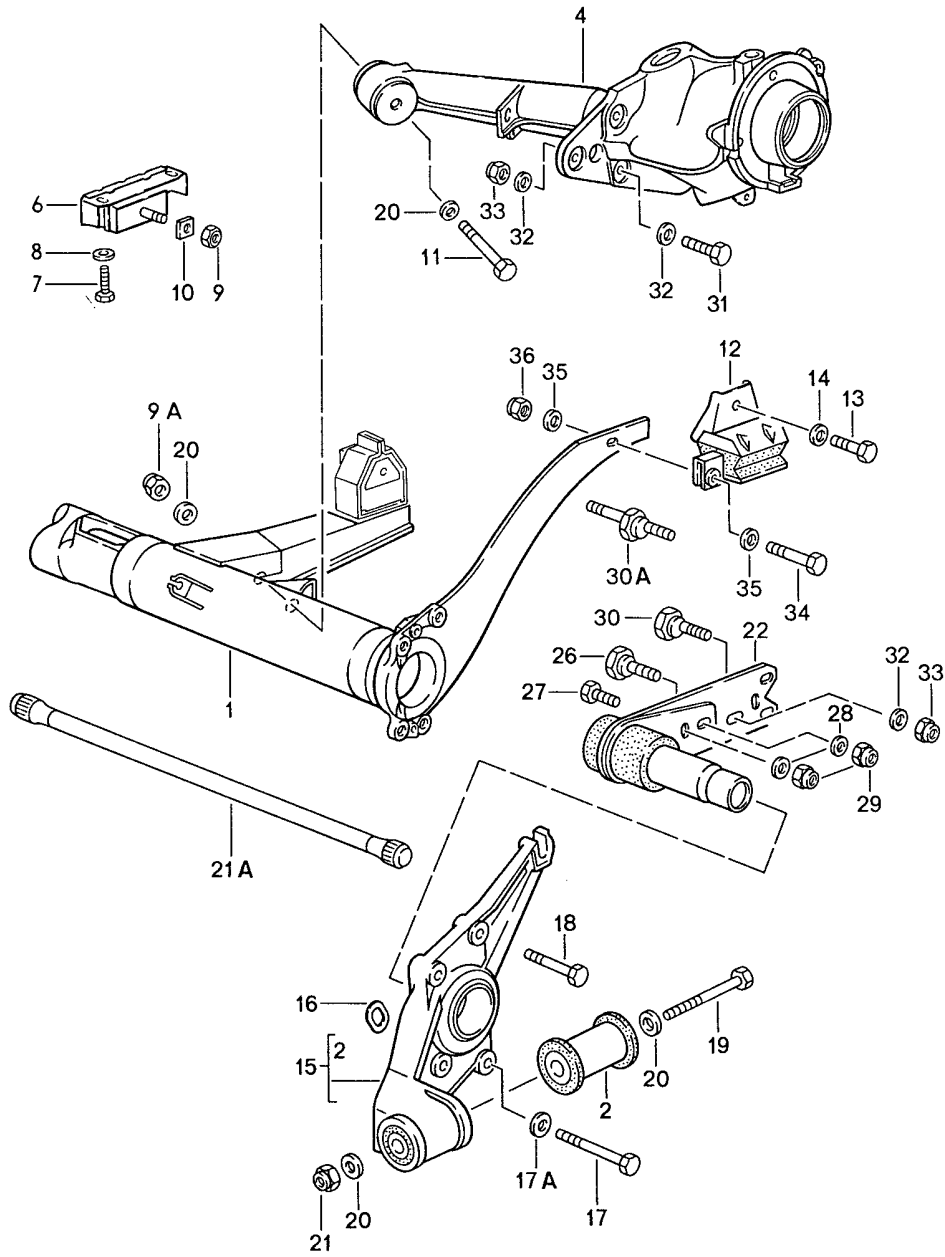


Model: 944 89

Model life 1989>>1991



Model: 944 89 Model life 1989>>1991

Pos	Part Number	Description	Remark	Qty	Model
		Rear axle carrier			
		Rear-axle trailing arm			
1	944 331 045 02	Rear-axle cross-tube		1	
2	477 501 069 A	Rubber bush		2	
4	951 331 021 01	Rear-axle trailing arm	/L -89	1	
4	951 331 021 31	Rear-axle trailing arm	/L -89	1	M030
4	951 331 021 32	Rear-axle trailing arm	/L -89	1	M030/593
		When required order also:			
4		Rear-axle trailing arm	/L 90-	1	
		When required order also:			
-	964 331 199 02	Retainer plate		2	
-	900 074 130 02	Hexagon-head bolt		4	
		M 8 X 40			
-	900 075 033 02	Stud		4	
		M 8 X 40			
-	900 075 033 03	Stud		4	
		M 8 X 40			
(4)	951 331 022 01	Rear-axle trailing arm	/R -89	1	
(4)	951 331 022 31	Rear-axle trailing arm	/R -89	1	M030
(4)	951 331 022 32	Rear-axle trailing arm	/R -89	1	M030/593
(4)		Rear-axle trailing arm	/R 90-	1	
		Use also:			
-	964 331 199 02	Retainer plate		2	
-	900 074 130 02	Hexagon-head bolt		4	
		M 8 X 40			
-	900 075 033 02	Stud		4	
		M 8 X 40			
-	900 075 033 03	Stud		4	
		M 8 X 40			
6	477 501 089	Mounting	-89	2	944/944S2
6	951 333 088 30	Mounting	-89	2	M030
6	951 333 088 32	Mounting		2	M030
6	951 333 088 30	Mounting	90-	2	
6	951 333 088 32	Mounting	90-	2	
7	N 040 272 2	Hexagon-head bolt		4	
		M 10 X 35			
8	N 011 527 12	Washer		4	
		A 10,5			
8	900 025 081 01	Washer		4	
		A 10,5			
9	N 900 876 01	Lock nut		2	
		VM 10			
9A	N 021 131 1	Lock nut		2	
		M 12 X 1,5			
10	477 501 697	Washer		2	
11	N 010 190 4	Hexagon-head bolt		2	
		M 12 X 90			
12	944 331 075 00	Supporting mount	/L	1	
12	944 331 075 01	Supporting mount	/L	1	
12	951 333 083 30	Bearing	/L 89	1	TURBO
		When required order also:			
		94433107501		-	
12	944 331 075 00	Supporting mount	/L 90-	1	TURBO
12	944 331 075 01	Supporting mount	/L 90-	1	TURBO
(12)	944 331 076 00	Supporting mount	/R	1	
(12)	944 331 076 01	Supporting mount	/R	1	
(12)	951 333 084 30	Bearing	/R 89	1	TURBO
(12)	944 331 076 00	Supporting mount	/R 90-	1	TURBO
(12)	944 331 076 01	Supporting mount	/R 90-	1	TURBO
13	N 010 253 7	Hexagon-head bolt		2	
		M 10 X 22			
14	N 012 230 6	Spring washer		8	
		B 10			

Model: 944 89 Model life 1989>>1991

Pos	Part Number	Description	Remark	Qty	Model
15	944 331 059 00	Bearing flange	/L	1	
15		Bearing flange	/L	1	
(15)	944 331 060 00	Bearing flange	/R	1	
(15)		Bearing flange	/R	1	
16	951 331 667 00	Washer		2	
17	N 010 465 5	Hexagon-head bolt M 10 X 65		2	
17	900 074 248 03	Hexagon-head bolt M 10 X 65		2	
17A	N 012 230 6	Spring washer B 10		8	
18	N 010 455 3	Hexagon-head bolt M 10 X 55		6	
19	900 082 059 02	Hexagon-head bolt M 12 X 1,5 X 115		2	
20	803 199 347	Spring washer		8	
20	803 199 34H	Washer		8	
21	N 022 141 4	Lock nut VM 12 X 1,5		2	
		See technical information GR.4 NR.8/89			
21A	944 333 115 00	Torsion bar 23,5 MM	/L	1	944
21A	944 333 116 00	Torsion bar 23,5 MM	/R	1	944
21A	944 333 115 01	Torsion bar 24 MM	/L	1	944S2
21A	944 333 116 01	Torsion bar 24 MM	/R	1	944S2
(21A)	951 333 103 30	Torsion bar 25,5 MM	/L	1	TURBO 944/944S2 M030/031
(21A)	951 333 104 30	Torsion bar 25,5 MM	/R	1	TURBO 944/944S2 M030/031
22	951 333 021 00	Rear axle strut		2	
26	911 333 303 00	Eccentric screw		2	
26	911 333 303 01	Eccentric screw		2	
27	911 333 305 00	Hexagon-head bolt		2	
27	911 333 305 01	Hexagon-head bolt		2	
28	999 025 135 02	Washer		4	
29	900 910 092 02	Lock nut VM 16 X 1,5		4	
29	900 360 007 01	Lock nut VM 16 X 1,5		4	
30	477 511 519	Camber eccentric		2	
30A	477 511 515	Camber eccentric Only together with Stabiliser		2	
30A	477 511 516	Camber eccentric Only together with Stabiliser		2	
31	N 040 108 2	Hexagon-head bolt M 12 X 1,5 X 40		4	
32	N 011 531 7	Washer A 13		8	
33	N 022 141 4	Lock nut VM 12 X 1,5		4	
34	N 010 233 6	Hexagon-head bolt M 8 X 28		2	
34	900 075 136 03	Hexagon-head bolt M 8 X 28		2	
35	900 025 007 02	Washer		4	

Model: 944 89

Model life 1989&gt;&gt;1991

Pos	Part Number	Description	Remark	Qty	Model
35	900 025 007 03	A 8,4 Washer		4	
36	900 910 022 09	A 8,4 Lock nut		2	
36	900 910 022 03	VM 8 Lock nut VM 8		2	