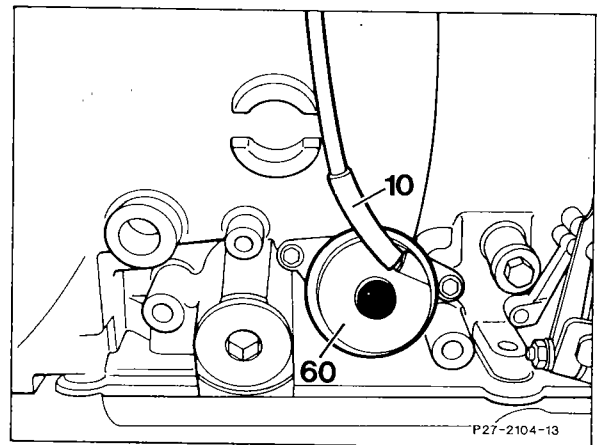


Removal

- 1 Remove vacuum hose (10).



- 2 Unscrew hexagon socket bolts (8) and remove retaining plate (4).
- 3 Pull out vacuum unit (6) with sealing ring (5).

