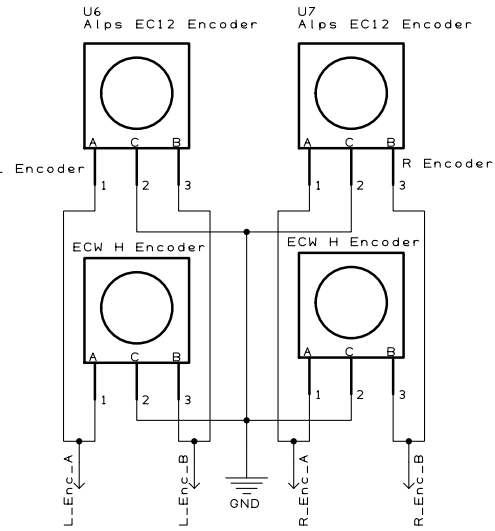
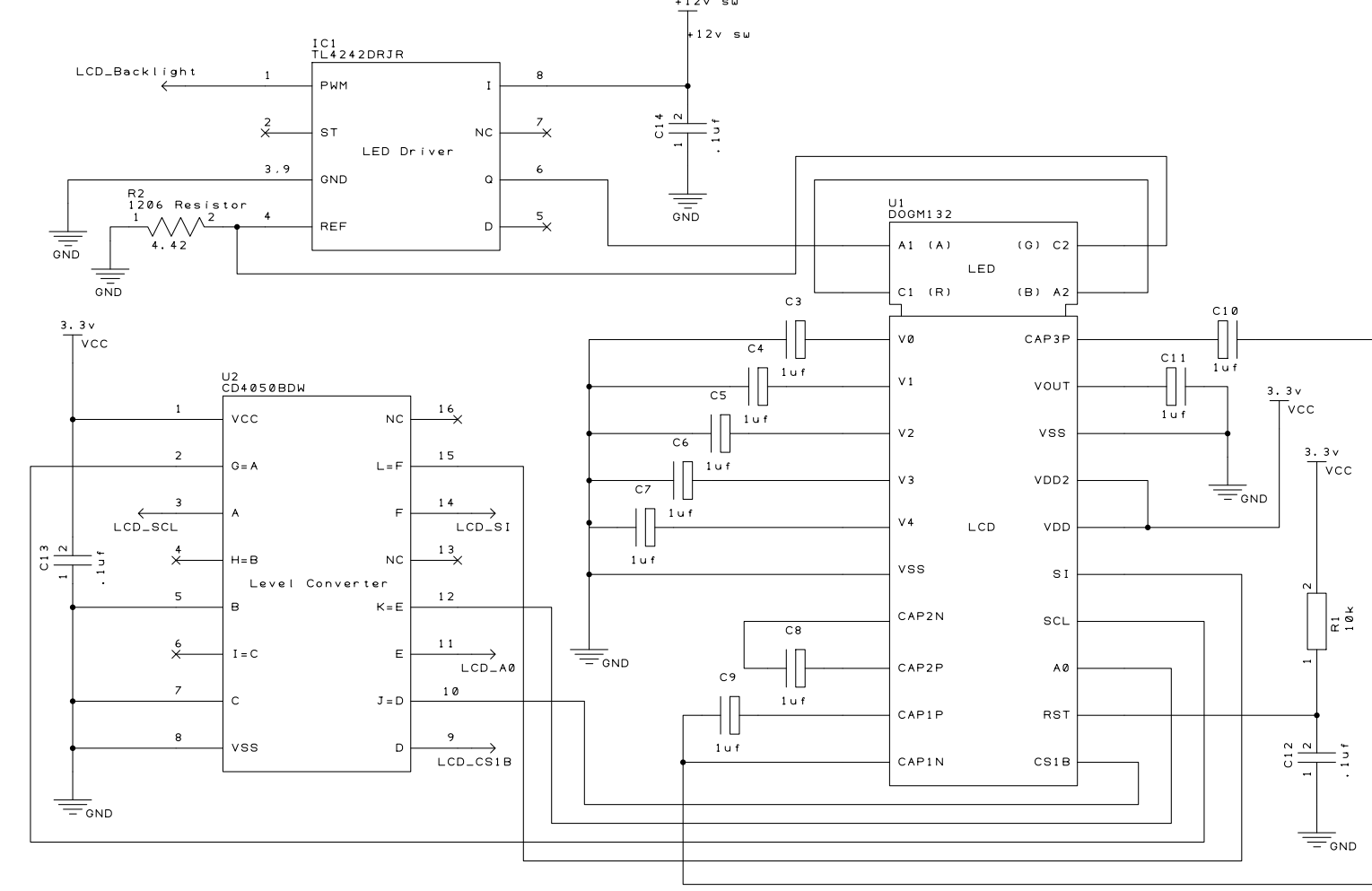


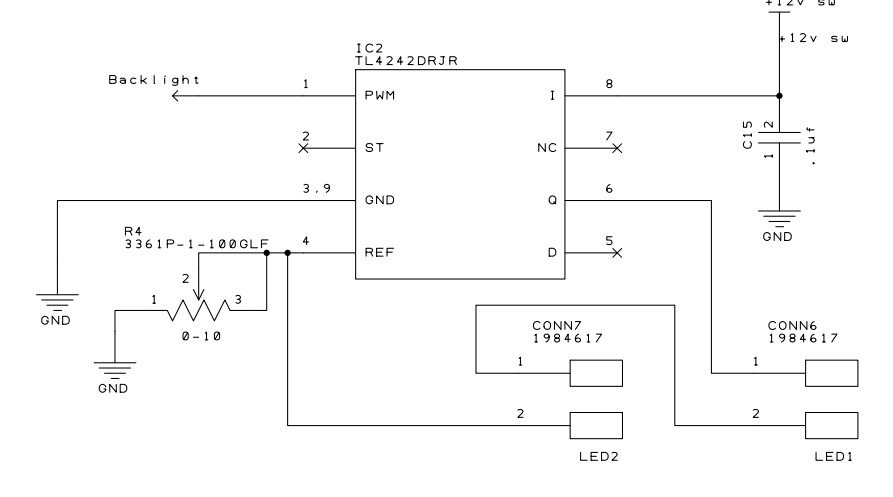
### Encoder Circuits



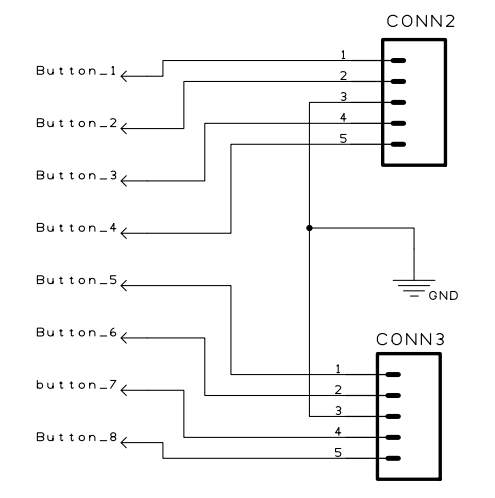
### LCD Circuits



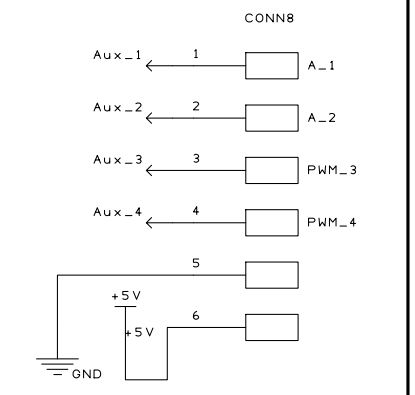
### Fiberoptic Backlight Circuit



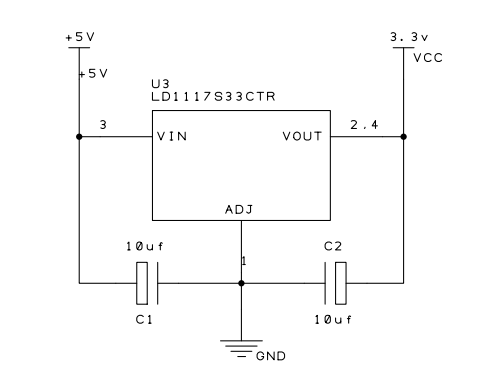
### Push Button Circuits



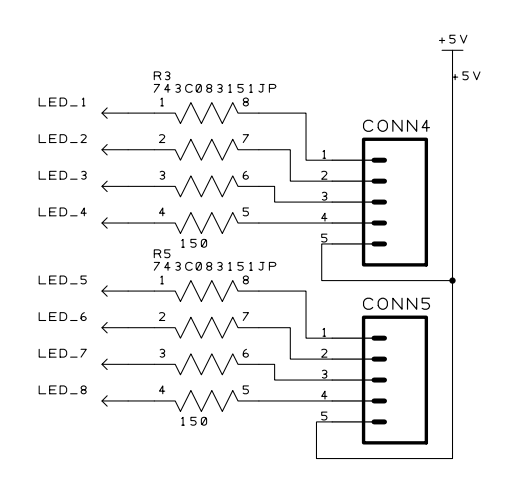
### Auxiliary I/O



### +3.3v LCD Power Supply



### Status LED Circuits



### Input Connector

