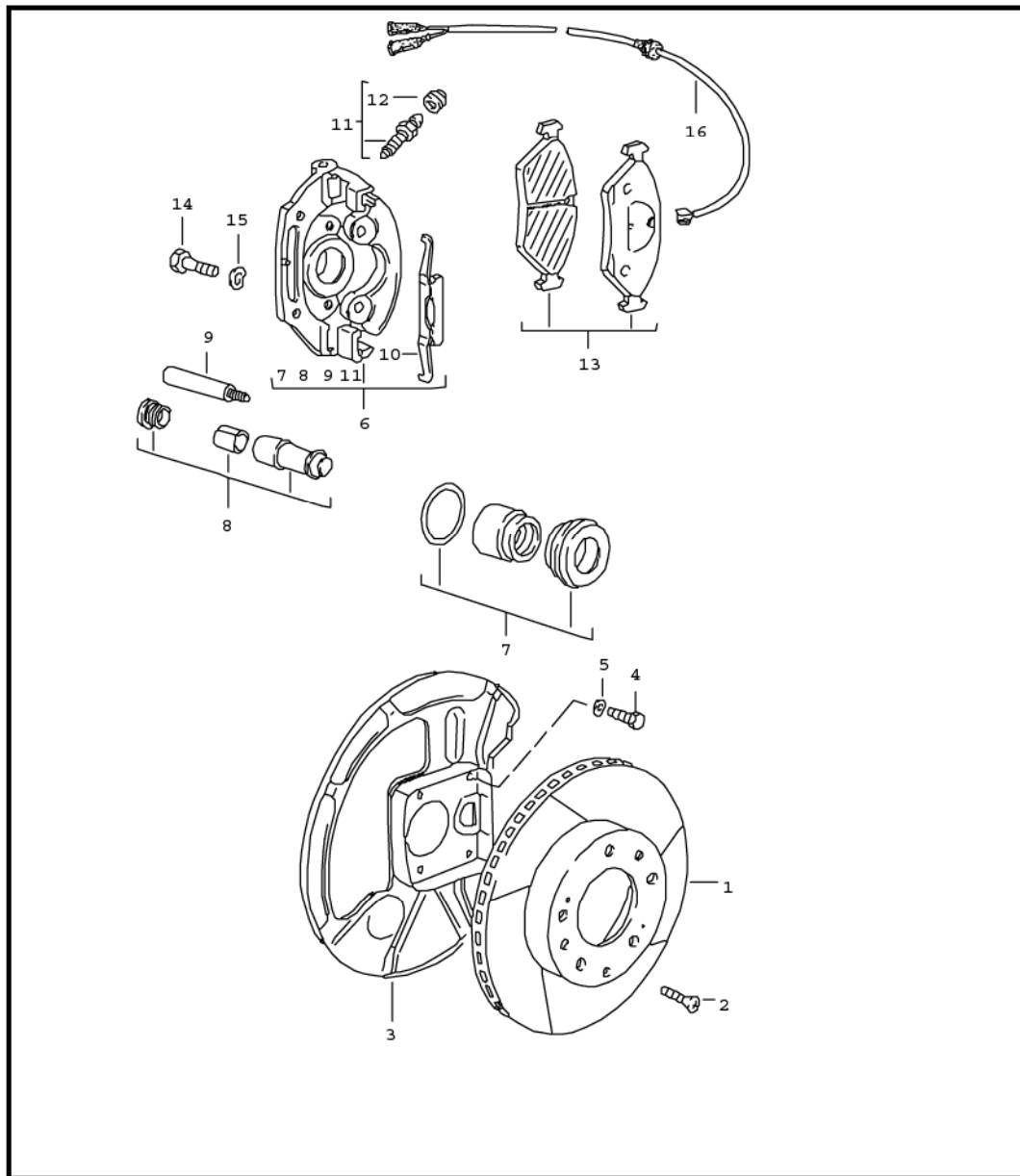


Model	Year	MG	SG	Illustration	Restrictions	Update	9:03	25.08.2006	PORSCHE	PET	PORSCHE
928	82	6	02	602-05		203					



Pos	Part Number	Name	Remarks	Qty	Model
		disc brake front axle floating calliper F 92A08 00750>> F 92A08 20001>>			928 928S
		use also: mounting parts for brake pad			
1	928 351 043 01	brake disc	/L	1	
(1)	928 351 044 01	brake disc	/R	1	
2	A N 033 167 1	countersunk-head screw M 6 X 12		4	
2	N 033 167 1	countersunk-head screw		4	
3	928 351 083 00	protective plate	/L	1	
(3)	928 351 084 00	protective plate	/R	1	
4	N 010 227 2	hexagon-head bolt M 7 X 12		8	
5	900 028 019 08	spring washer		8	
6	928 351 427 00	floating calliper without pad	/L	1	
(6)	928 351 428 00	floating calliper	/R	1	
7	928 351 943 00	gasket set		2	
8	* 928 351 949 00	set of damping sleeves		2	
9	928 351 947 00	guide pin		4	
10	928 351 953 00	retainer spring		2	
11	928 351 945 01	ventilation valve		2	
12	901 351 927 10	dust boot		2	
13	* 928 351 931 01	set of brake pads		1	
(13)	928 351 931 01	set of brake pads without asbestos		1	
14	N 010 142 2	hexagon-head bolt M 12 X 1,5 X 50		4	
15	900 028 014 02	spring washer		4	
16	928 612 315 01	warning contact		2	