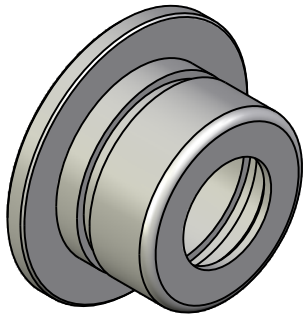


ISOMETRIC VIEW



NOTE: 1 EA. SIZE 022 VITON O'RING  
1 EA. SIZE 023 VITON O'RING

		UNLESS OTHERWISE SPECIFIED:		NAME	DATE		
		DIMENSIONS ARE IN INCHES	DRAWN	AKM	10/31/08	TITLE:	
		TOLERANCES:	CHECKED			INJECTOR BUSHING	
		ONE PLACE DECIMAL ±0.030	ENG APPR.				
		TWO PLACE DECIMAL ±0.015	MFG APPR.				
		THREE PLACE DECIMAL ±0.003	Q.A.			SIZE DWG. NO. REV	
		INTERPRET GEOMETRIC TOLERANCING PER:	COMMENTS:			A pizza	
		MATERIAL					
		6061 Alloy					
		FINISH					
NEXT ASSY	USED ON				SCALE: 1:1 WEIGHT: 0.04 SHEET 1 OF 1		
APPLICATION		DO NOT SCALE DRAWING					