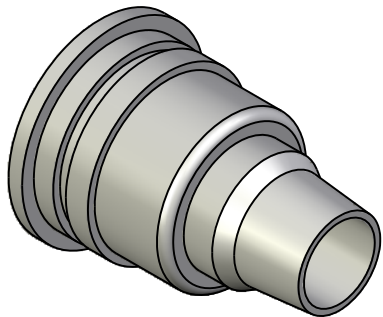


ISOMETRIC VIEW



NOTE: 1 EA. SIZE 023 VITON O'RING

|             |         |                                      |  |           |      |            |                                |              |
|-------------|---------|--------------------------------------|--|-----------|------|------------|--------------------------------|--------------|
|             |         | UNLESS OTHERWISE SPECIFIED:          |  | NAME      | DATE |            |                                |              |
|             |         | DIMENSIONS ARE IN INCHES             |  | DRAWN     | AKM  | 10/31/08   | TITLE:<br><br>INJECTOR BUSHING |              |
|             |         | TOLERANCES:                          |  | CHECKED   |      |            |                                |              |
|             |         | ONE PLACE DECIMAL ±0.030             |  | ENG APPR. |      |            |                                |              |
|             |         | TWO PLACE DECIMAL ±0.015             |  | MFG APPR. |      |            |                                |              |
|             |         | THREE PLACE DECIMAL ±0.003           |  | Q.A.      |      |            |                                |              |
|             |         | INTERPRET GEOMETRIC TOLERANCING PER: |  | COMMENTS: |      |            |                                |              |
|             |         | MATERIAL                             |  |           |      |            |                                |              |
|             |         | 6061 Alloy                           |  |           |      |            |                                |              |
|             |         | FINISH                               |  |           |      |            |                                |              |
| NEXT ASSY   | USED ON |                                      |  |           |      | SIZE       | DWG. NO.                       | REV          |
| APPLICATION |         | DO NOT SCALE DRAWING                 |  |           |      | <b>A</b>   | pizza                          |              |
|             |         |                                      |  |           |      | SCALE: 1:1 | WEIGHT: 0.04                   | SHEET 1 OF 1 |