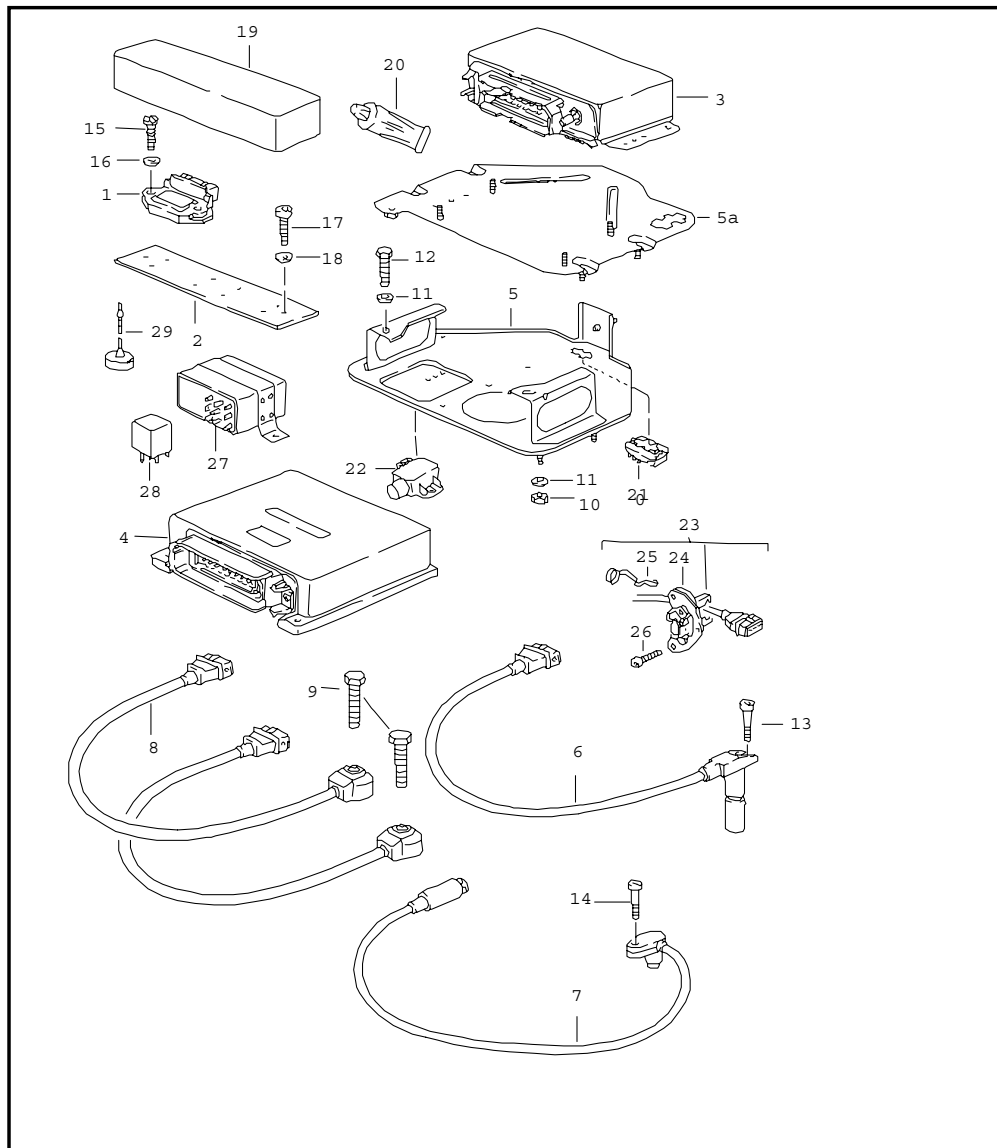


Model	Year	MG	SG	Illustration	Restrictions	Update	14:47	08.04.2005	PORSCHE	PET	PORSCHE
928	91	9	01	901-02		187					



Pos	Part Number	Name	Remarks	Qty	Model
		engine electric. equipment lh-jetronic			
1	928 602 706 01	ignition switch unit		2	
2	928 602 716 00	heat dissipator		1	
3	E 928 618 124 11	ignition control unit see q-information GR.2 NR.3/86	87	1	
(3)	A 928 618 124 12	ignition control unit	88	1	
(3)	A 928 618 124 15	ignition control unit	88	1	
(3)	928 618 124 15	ignition control unit	88-	1	
(3)	A 928 618 124 16	ignition control unit	-89	1	M 637
(3)	928 618 124 QX	ignition control unit	-89	1	M 637
(3)	928 618 124 22	ignition control unit	89	1	M 639
(3)	928 618 124 22	ignition control unit	90-	1	M 481
(3)	928 618 124 15	ignition control unit	90-	1	M 249
-	928 618 951 00	retaining clip	87	1	
(4)	E 928 618 123 13	control unit lh-jetronic		1	
(4)	E 928 618 123 13	control unit lh-jetronic	88	1	
(4)	928 618 123 12	control unit	88	1	M 637
(4)	E 928 618 123 13	control unit lh-jetronic	89 90	1	
(4)	> 928 618 123 14	control unit lh-jetronic	89 90	1	M 637/639
(4)	E 928 618 123 25	control unit lh-jetronic	91	1	M 249
(4)	> 928 618 123 26	control unit lh-jetronic	91	1	M 481
5	928 618 010 01	bracket	-88	1	
(5)	928 618 010 02	bracket	89	1	
(5)	928 618 231 01	bracket	90-	1	
5A	928 618 130 01	bracket	90-	1	
-	928 618 411 00	grommet		1	