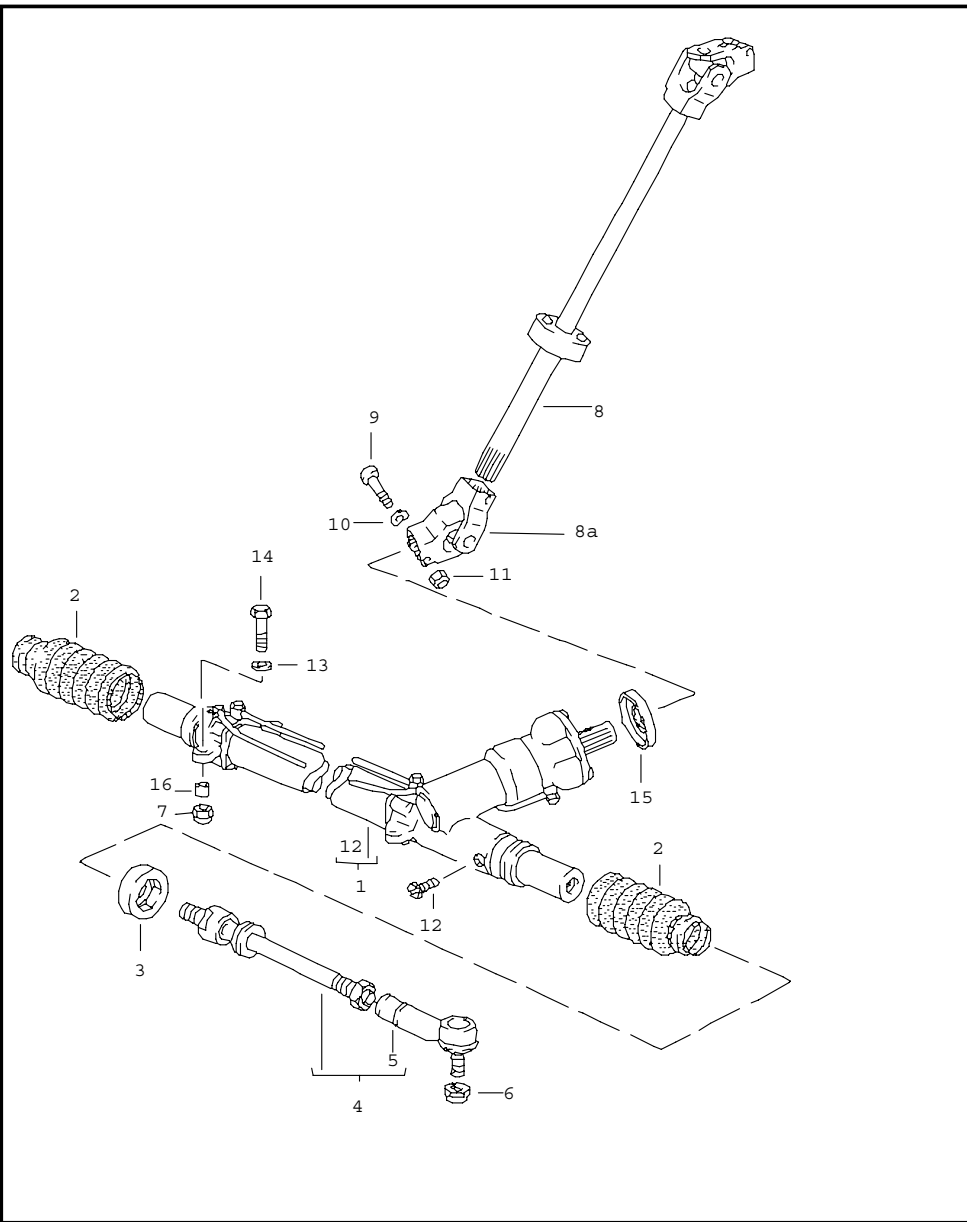


Model	Year	MG	SG	Illustration	Restrictions	Update	12:16	31.08.2006	PORSCHE	PET	PORSCHE
928	93	4	03	403-00		160					



Pos	Part Number	Name	Remarks	Qty	Model
		steering gear tie rod			
1	A 928 347 010 26	steering gear	/LL	1	
1	> 928 347 010 27	steering gear	/LL	1	
2	928 347 191 03	bellows		2	
3	928 347 329 04	stop		2	
4	928 347 031 07	tie rod		2	
5	928 347 322 02	ball joint		2	
6	900 910 046 02	locking nut		2	
7	N 021 130 3	locking nut		4	
(8)	928 347 093 01	intermed.steering shaft	-93	1	
(8)	928 347 093 01	intermed.steering shaft	94-	1	
8A	928 347 021 03	universal joint	-93	1	
(8A)	928 347 021 04	universal joint	94-	1	
9	N 010 359 3	bolt hex-hd.		3	
10	N 012 241 8	spring washer B 8		3	
11	900 910 022 02	locking nut		3	
12	999 063 002 40	screw plug AM 12 X 1,5		1	
13	N 012 231 4	spring washer -A 10-		4	
14	N 010 445 2	bolt hex-hd. M 10 X 45	/LL	4	
15	928 347 923 00	protection cap		1	
16	928 347 779 03	bush		4	
- - - E N D - - -					