

**Model: STZ****Model life 1985>>1998**

## ORDER-INFO

THIS PARTS CATALOGUE CONTAINS THE ORDER INFORMATION OF

SEATS FOR THE TYPE RANGES: - 944 FROM MODEL YEAR 1985/2 - 1991  
- 968 FROM MODEL YEAR 1992  
- 911 FROM MODEL YEAR 1985  
- 928 FROM MODEL YEAR 1985

IT IS AVAILABLE IN TWO EDITIONS IN THE FOLLOWING LANGUAGES:

EDITION		
USA, CANADA	- ENGLISH ONLY	ORDER-NO. WET 615 521
EDITION		
ALL OTHER COUNTRIES	- GERMAN	ORDER NO. WET 615 510
	* - ENGLISH	ORDER NO. WET 615 520
	- FRENCH	ORDER NO. WET 615 530
	- ITALIAN	ORDER NO. WET 615 540
	- SPANISH	ORDER NO. WET 615 550

UPDATING IS BEING PERFORMED BY CHANGING OF FICHE.

THE EDITION CAN BE RECOGNIZED BY THE CURRENT NO. AND CALENDAR YEAR IN THE BOTTOM LINE OF SUBJECT FICHE.

THE PREVIOUS FICHE SHOULD NO LONGER BE USED.

ALL ILLUSTRATIONS ARE SUBJECT TO CHANGE WITHOUT OBLIGATION.

**Model: STZ****Model life 1985>>1998**

ALL ILLUSTRATIONS ARE SUBJECT TO  
CHANGE WITHOUT OBLIGATION.

Model: STZ

Model life 1985>>1998

EXPLANAT.- VIN

EXPLANATION OF THE ABRIDGED VERSION OF THE VEHICLE IDENT. NUMBERS (VIN)  
 =====  
 USED IN THE CATALOGUE  
 =====

DIGIT:		1	2	3	4	5	6	7	8	9	10	11	12	13	14	15	16	17
--------	--	---	---	---	---	---	---	---	---	---	----	----	----	----	----	----	----	----

EXAMPLE:		W	P	0	Z	Z	Z	9	6	Z	K	S	4	0	0	1	2	5
----------	--	---	---	---	---	---	---	---	---	---	---	---	---	---	---	---	---	---

								===		=	=	=							=====
--	--	--	--	--	--	--	--	-----	--	---	---	---	--	--	--	--	--	--	-------

								!		!	!	!							!
--	--	--	--	--	--	--	--	---	--	---	---	---	--	--	--	--	--	--	---

VEHICLE TYPE 1ST+2ND DIGIT-----+										!	!	!							!
----------------------------------	--	--	--	--	--	--	--	--	--	---	---	---	--	--	--	--	--	--	---

										!	!	!							!
--	--	--	--	--	--	--	--	--	--	---	---	---	--	--	--	--	--	--	---

MODEL YEAR-----+											!	!							!
------------------	--	--	--	--	--	--	--	--	--	--	---	---	--	--	--	--	--	--	---

											!	!							!
--	--	--	--	--	--	--	--	--	--	--	---	---	--	--	--	--	--	--	---

MANUFACTURING LOCATION-----+												!							!
------------------------------	--	--	--	--	--	--	--	--	--	--	--	---	--	--	--	--	--	--	---

												!							!
--	--	--	--	--	--	--	--	--	--	--	--	---	--	--	--	--	--	--	---

VEHICLE TYPE 3RD DIGIT-----+																			!
------------------------------	--	--	--	--	--	--	--	--	--	--	--	--	--	--	--	--	--	--	---

																			!
--	--	--	--	--	--	--	--	--	--	--	--	--	--	--	--	--	--	--	---

SERIAL NUMBER-----+																			!
---------------------	--	--	--	--	--	--	--	--	--	--	--	--	--	--	--	--	--	--	---

Model: STZ Model life 1985>>1998

SUMMARY TYPES

VEHICLE TYPE	MY	VEHICLE IDENT.NR.	ENGINE TYPE		
944	85 F	94FN4 00001>30000	M44.05/06	120	KW
944 (USA)(CDN)	85 F	94FN4 50001>80000	M44.07/08	110	KW
944 (J)	85 F	94FN4 00001>30000	M44.07/08	110	KW
944	86 G	94GN4 00001>30000	M44.05/06	120	KW
944 M298 (J)	86 G	94GN4 00001>30000	M44.07	110	KW
944 M299	86 G	94GN4 00001>30000	M44.08	110	KW
944 (USA)(CDN)	86 G	94GN4 50001>80000	M44.07/08	110	KW
944 TURBO	86 G	95GN1 40001>50000	M44.50	162	KW
944 TURBO	86 G	95GN1 00001>40000	M44.51	162	KW
944 TURBO (USA)(CDN)	86 G	95GN1 50001>70000	M44.51	162	KW
944	87 H	94HN4 20001>50000	M44.05/06	120	KW
944 M298	87 H	94HN4 20001>50000	M44.07	110	KW
944 M299	87 H	94HN4 20001>50000	M44.08	110	KW
944 S	87 H	94HN4 00001>08000	M44.40	140	KW
944 S M637	87 H	94HN4 08001>20000	M44.40	140	KW
944 S (USA)(CDN)	87 H	94HN4 50001>60000	M44.40	135	KW
944 S (USA)(CDN) M637	87 H	94HN4 60001>65000	M44.40	135	KW
944 S (USA)(CDN) M562	87 H	94HN4 65001>80000	M44.40	135	KW
944 TURBO	87 H	95HN1 00001>04000	M44.51	162	KW
944 TURBO M637	87 H	95HN1 04001>50000	M44.51	162	KW
944 TURBO (USA)	87 H	95HN1 50001>60000	M44.51	162	KW
944 TURBO (CDN)	87 H	95HN1 60001>65000	M44.51	162	KW
944 TURBO (CDN) M637	87 H	95HN1 65001>70000	M44.51	162	KW
944	88 J	94JN4 20001>70000	M44.09/10	118	KW
944 (USA)(CDN)	88 J	94JN4 70001>80000	M44.09/10	118	KW
944 (USA)(CDN) M562/563	88 J	94JN4 80001>90000	M44.10	118	KW
944 S	88 J	94JN4 00001>08000	M44.40	140	KW
944 S M637	88 J	94JN4 08001>50000	M44.40	140	KW
944 S (USA)(CDN) M637	88 J	94JN4 50001>65000	M44.40	140	KW
944 S (USA)(CDN) M562/563	88 J	94JN4 65001>80000	M44.40	140	KW
944 TURBO	88 J	95JN1 00001>04000	M44.51	162	KW
944 TURBO M637	88 J	95JN1 04001>10000	M44.51	162	KW
944 TURBO (USA)	88 J	95JN1 50001>60000	M44.51	162	KW
944 TURBO (CDN)	88 J	95JN1 60001>65000	M44.51	162	KW
944 TURBO (CDN) M637	88 J	95JN1 65001>80000	M44.51	162	KW
944 TURBO S	88 J	95JN1 04001>50000	M44.52	184	KW
944 TURBO S (USA)	88 J	95JN1 50001>60000	M44.52	184	KW

Model: STZ Model life 1985>>1998

SUMMARY TYPES

VEHICLE TYPE	MY	VEHICLE IDENT.NR.	ENGINE TYPE	
944 COUPE	89 K	94KN4 00001>30000	M44.11/12	121 KW
944 S2 COUPE	89 K	94KN4 00001>30000	M44.41	155 KW
944 S2 CABRIO	89 K	94KN4 30001>50000	M44.41	155 KW
944 TURBO COUPE	89 K	95KN1 00001>50000	M44.52	184 KW
944 COUPE (USA)(CDN)	89 K	94KN4 50001>80000	M44.11/12	121 KW
944 S2 COUPE (USA)(CDN)	89 K	94KN4 50001>80000	M44.41	155 KW
944 S2 CABRIO (USA)(CDN)	89 K	94KN4 80001>99999	M44.41	155 KW
944 TURBO COUPE (USA)(CDN)	89 K	95KN1 50001>99999	M44.52	184 KW
944 S2 COUPE	90 L	94LN4 00001>30000	M44.41	155 KW
944 S2 CABRIO	90 L	94LN4 30001>50000	M44.41	155 KW
944 TURBO COUPE	90 L	95LN1 00001>30000	M44.52	184 KW
944 S2 COUPE (USA)(CDN)	90 L	94LN4 50001>80000	M44.41	155 KW
944 S2 CABRIO (USA)(CDN)	90 L	94LN4 80001>99999	M44.41	155 KW
944 TURBO COUPE (CDN)	90 L	95LN1 50001>79999	M44.52	184 KW

NECKARSULM

944 S2 COUPE	91 M	94MN4 00001>10000	M44.41	155 KW
944 S2 CABRIO	91 M	94MN4 30001>40000	M44.41	155 KW
944 TURBO COUPE	91 M	95MN1 00001>30000	M44.52	184 KW
944 TURBO CABRIO	91 M	95MN1 30001>40000	M44.52	184 KW
944 S2 COUPE (USA)(CDN)	91 M	94MN4 10001>20000	M44.41	155 KW
944 S2 CABRIO (USA)(CDN)	91 M	94MN4 40001>50000	M44.41	155 KW

STUTTGART

944 S2 COUPE	91 M	94MS4 00001>10000	M44.41	155 KW
944 S2 CABRIO	91 M	94MS4 30001>40000	M44.41	155 KW

Model: STZ

Model life 1985&gt;&gt;1998

## SUMMARY TYPES

VEHICLE TYPE	MY	VEHICLE IDENT.NR.	ENGINE TYPE		
968 COUPE	92 N	96NS8 00061>05000	M44.43/44	176	KW
968 CABRIO	92 N	96NS8 30061>35000	M44.43/44	176	KW
968 COUPE (USA)(CDN)	92 N	96NS8 20061>25000	M44.43/44	176	KW
968 CABRIO (USA)(CDN)	92 N	96NS8 40061>45000	M44.43/44	176	KW
968 COUPE	93 P	96PS8 00061>05000	M44.43/44	176	KW
968 COUPE CS		P 96PS8 15061>19000	M44.43	176	KW
968 CABRIO	93 P	96PS8 30061>34000	M44.43/44	176	KW
968 COUPE (USA)(CDN)	93 P	96PS8 20061>24000	M44.43/44	176	KW
968 CABRIO (USA)(CDN)	93 P	96PS8 40061>45000	M44.43/44	176	KW
968 COUPE	94 R	96RS8 00061>05000	M44.43/44	176	KW
968 COUPE CS	94 R	96RS8 15061>19000	M44.43	176	KW
968 CABRIO	94 R	96RS8 30061>34000	M44.43/44	176	KW
968 COUPE (USA)(CDN)	94 R	96RS8 20061>25000	M44.43/44	176	KW
968 CABRIO (USA)(CDN)	94 R	96RS8 40061>44000	M44.43/44	176	KW
968 COUPE	95 S	96SS8 00061>05000	M44.43/44	176	KW
968 COUPE CS	95 S	96SS8 15061>15800	M44.43	176	KW
968 CABRIO	95 S	96SS8 30061>34000	M44.43/44	176	KW
968 COUPE (USA)(CDN)	95 S	96SS8 20061>25000	M44.43/44	176	KW
968 CABRIO (USA)(CDN)	95 S	96SS8 40061>44000	M44.43/44	176	KW

Model: STZ Model life 1985>>1998

SUMMARY TYPES

VEHICLE TYPE	MY	VEHICLE IDENT.NO.	ENGINE	TYPE
911 CARRERA COUPE	85 F	91FS1 00001>05000	930.20	170 KW
911 CARRERA TARGA	85 F	91FS1 40001>45000	930.20	170 KW
911 CARRERA CABRIO	85 F	91FS1 50001>55000	930.20	170 KW
911 CARRERA COUPE M298	85 F	91FS1 00001>05000	930.21	152 KW
911 CARRERA TARGA M298	85 F	91FS1 40001>45000	930.21	152 KW
911 CARRERA CABRIO M298	85 F	91FS1 50001>55000	930.21	152 KW
911 CARRERA COUPE (AUS)(S)(CH)	85 F	91FS1 00001>05000	930.26	170 KW
911 CARRERA TARGA (AUS)(S)(CH)	85 F	91FS1 40001>45000	930.26	170 KW
911 CARRERA CABRIO (AUS)(S)(CH)	85 F	91FS1 50001>55000	930.26	170 KW
911 CARRERA COUPE (J)	85 F	91FS1 09501>09999	930.21	152 KW
911 CARRERA TARGA (J)	85 F	91FS1 49501>49999	930.21	152 KW
911 CARRERA CABRIO (J)	85 F	91FS1 59501>59999	930.21	152 KW
911 CARRERA COUPE (USA)(CDN)	85 F	91FS1 20001>25000	930.21	152 KW
911 CARRERA TARGA (USA)(CDN)	85 F	91FS1 60001>65000	930.21	152 KW
911 CARRERA CABRIO (USA)(CDN)	85 F	91FS1 70001>75000	930.21	152 KW
911 TURBO COUPE	85 F	93FS0 00001>02000	930.66	221 KW
911 TURBO COUPE (CDN)	85 F	93FS0 50001>52000	930.66	221 KW
911 CARRERA COUPE	86 G	91GS1 00001>05000	930.20	170 KW
911 CARRERA TARGA	86 G	91GS1 40001>45000	930.20	170 KW
911 CARRERA CABRIO	86 G	91GS1 50001>55000	930.20	170 KW
911 CARRERA COUPE M298	86 G	91GS1 00001>05000	930.21	152 KW
911 CARRERA TARGA M298	86 G	91GS1 40001>45000	930.21	152 KW
911 CARRERA CABRIO M298	86 G	91GS1 50001>55000	930.21	152 KW
911 CARRERA COUPE (S)(CH)	86 G	91GS1 00001>05000	930.26	170 KW
911 CARRERA TARGA (S)(CH)	86 G	91GS1 40001>45000	930.26	170 KW
911 CARRERA CABRIO (S)(CH)	86 G	91GS1 50001>55000	930.26	170 KW
911 CARRERA COUPE (J)	86 G	91GS1 09501>09999	930.21	152 KW
911 CARRERA TARGA (J)	86 G	91GS1 49501>49999	930.21	152 KW
911 CARRERA CABRIO (J)	86 G	91GS1 59501>59999	930.21	152 KW
911 CARRERA COUPE (USA)(CDN)	86 G	91GS1 20001>25000	930.21	152 KW
911 CARRERA TARGA (USA)(CDN)	86 G	91GS1 60001>65000	930.21	152 KW
911 CARRERA CABRIO (USA)(CDN)	86 G	91GS1 70001>75000	930.21	152 KW
911 TURBO COUPE	86 G	93GS0 00001>02000	930.66	221 KW
911 TURBO COUPE (CDN)	86 G	93GS0 55001>57000	930.66	221 KW
911 TURBO COUPE (USA)	86 G	93GS0 50001>52000	930.68	209 KW

Model: STZ Model life 1985>>1998

SUMMARY TYPES

VEHICLE TYPE	MY	VEHICLE IDENT.NR.	ENGINE TYPE
911 CARRERA COUPE	87 H	91HS1 00001>05000	930.20/25/26
911 CARRERA M637	87 H	91HS1 05001>05300	930.20/25/26
911 CARRERA TARGA	87 H	91HS1 40001>45000	930.20/25/26
911 CARRERA CABRIO	87 H	91HS1 50001>55000	930.20/25/26
911 TURBO COUPE	87 H	93HS0 00001>02000	930.66 221 KW
911 TURBO TARGA	87 H	93HS0 10001>12000	930.66 221 KW
911 TURBO CABRIO	87 H	93HS0 20001>22000	930.66 221 KW
911 CARRERA COUPE (J)	87 H	91HS1 09501>09999	930.25 160 KW
911 CARRERA TARGA (J)	87 H	91HS1 49501>49999	930.25 160 KW
911 CARRERA CABRIO (J)	87 H	91HS1 59501>59999	930.25 160 KW
911 CARRERA COUPE (USA)(CDN)	87 H	91HS1 20001>25000	930.25 160 KW
911 CARRERA M637 (USA)(CDN)	87 H	91HS1 25001>25300	930.25 160 KW
911 CARRERA TARGA (USA)(CDN)	87 H	91HS1 60001>65000	930.25 160 KW
911 CARRERA CABRIO (USA)(CDN)	87 H	91HS1 70001>75000	930.25 160 KW
911 TURBO COUPE (USA)	87 H	93HS0 50001>55000	930.68 210 KW
911 TURBO TARGA (USA)	87 H	93HS0 60001>62000	930.68 210 KW
911 TURBO CABRIO (USA)	87 H	93HS0 70001>72000	930.68 210 KW
911 TURBO COUPE (CDN)	87 H	93HS0 55001>57000	930.66 221 KW
911 TURBO TARGA (CDN)	87 H	93HS0 65001>67000	930.66 221 KW
911 TURBO CABRIO (CDN)	87 H	93HS0 75001>77000	930.66 221 KW
911 CARRERA COUPE	88 J	91JS1 00001>05000	930.20/25/26
911 CARRERA M637	88 J	91JS1 05001>05300	930.20/25/26
911 CARRERA TARGA	88 J	91JS1 40001>45000	930.20/25/26
911 CARRERA CABRIO	88 J	91JS1 50001>55000	930.20/25/26
911 TURBO COUPE	88 J	93JS0 00001>02000	930.66 221 KW
911 TURBO TARGA	88 J	93JS0 10001>12000	930.66 221 KW
911 TURBO CABRIO	88 J	93JS0 20001>22000	930.66 221 KW
911 CARRERA COUPE (J)	88 J	91JS1 09501>09999	930.25 160 KW
911 CARRERA TARGA (J)	88 J	91JS1 49501>49999	930.25 160 KW
911 CARRERA CABRIO (J)	88 J	91JS1 59501>59999	930.25 160 KW
911 CARRERA COUPE (USA)(CDN)	88 J	91JS1 20001>25000	930.25 160 KW
911 CARRERA M637 (USA)(CDN)	88 J	91JS1 25001>25300	930.25 160 KW
911 CARRERA TARGA (USA)(CDN)	88 J	91JS1 60001>65000	930.25 160 KW
911 CARRERA CABRIO (USA)(CDN)	88 J	91JS1 70001>75000	930.25 160 KW
911 TURBO COUPE (USA)(CDN)	88 J	93JS0 50001>55000	930.68 210 KW
911 TURBO TARGA (USA)(CDN)	88 J	93JS0 60001>62000	930.68 210 KW
911 TURBO CABRIO (USA)(CDN)	88 J	93JS0 70001>72000	930.68 210 KW
911 CARRERA COUPE	89 K	91KS1 00001>05000	930.20/25
911 CARRERA TARGA	89 K	91KS1 40001>45000	930.20/25
911 CARRERA CABRIO/SPEEDSTER	89 K	91KS1 50001>55000	930.20/25
911 TURBO COUPE	89 K	93KS0 00001>02000	930.66 221 KW
911 TURBO TARGA	89 K	93KS0 10001>12000	930.66 221 KW
911 TURBO CABRIO	89 K	93KS0 20001>22000	930.66 221 KW
911 CARRERA COUPE (USA)(CDN)	89 K	91KS1 20001>25000	930.25 160 KW
911 CARRERA TARGA (USA)(CDN)	89 K	91KS1 60001>65000	930.25 160 KW
911 CARRERA CABRIO/SPEEDSTER (USA)(CDN)	89 K	91KS1 70001>75000	930.25 160 KW
911 TURBO COUPE (USA)(CDN)	89 K	93KS0 50001>55000	930.68 210 KW
911 TURBO TARGA (USA)(CDN)	89 K	93KS0 60001>62000	930.68 210 KW
911 TURBO CABRIO (USA)(CDN)	89 K	93KS0 70001>72000	930.68 210 KW



Model: STZ Model life 1985>>1998

SUMMARY TYPES

VEHICLE TYPE	MY	VIN	ENGINE TYPE
911 CARRERA 4 COUPE	89 K	96KS4 00061>05000	M64.01 184 KW
911 CARRERA 4 COUPE (USA)(CDN)	89 K	96KS4 50061>55000	M64.01 184 KW
911 CARRERA 2 COUPE	90 L	96LS4 00061>05000	M64.01/02 184 KW
911 CARRERA 2 TARGA	90 L	96LS4 10061>15000	M64.01/02 184 KW
911 CARRERA 2 CABRIO	90 L	96LS4 20061>25000	M64.01/02 184 KW
911 CARRERA 4 COUPE	90 L	96LS4 00061>05000	M64.01 184 KW
911 CARRERA 4 TARGA	90 L	96LS4 10061>15000	M64.01 184 KW
911 CARRERA 4 CABRIO	90 L	96LS4 20061>25000	M64.01 184 KW
911 CARRERA 2 COUPE (USA)(CDN)	90 L	96LS4 50061>59500	M64.01/02 184 KW
911 CARRERA 2 TARGA (USA)(CDN)	90 L	96LS4 60061>69500	M64.01/02 184 KW
911 CARRERA 2 CABRIO(USA)(CDN)	90 L	96LS4 70061>79500	M64.01/02 184 KW
911 CARRERA 4 COUPE (USA)(CDN)	90 L	96LS4 50061>59500	M64.01 184 KW
911 CARRERA 4 TARGA (USA)(CDN)	90 L	96LS4 60061>69500	M64.01 184 KW
911 CARRERA 4 CABRIO(USA)(CDN)	90 L	96LS4 70061>79500	M64.01 184 KW
911 CARRERA 2 COUPE	91 M	96MS4 00061>08000	M64.01/02 184 KW
911 CARRERA 2 TARGA	91 M	96MS4 30061>38000	M64.01/02 184 KW
911 CARRERA 2 CABRIO	91 M	96MS4 50061>58000	M64.01/02 184 KW
911 CARRERA 4 COUPE	91 M	96MS4 00061>08000	M64.01 184 KW
911 CARRERA 4 TARGA	91 M	96MS4 30061>38000	M64.01 184 KW
911 CARRERA 4 CABRIO	91 M	96MS4 50061>58000	M64.01 184 KW
911 TURBO	91 M	96MS4 70061>75000	M30.69 235 KW
911 CARRERA 2 COUPE (USA)(CDN)	91 M	96MS4 10061>18000	M64.01/02 184 KW
911 CARRERA 2 TARGA (USA)(CDN)	91 M	96MS4 40061>48000	M64.01/02 184 KW
911 CARRERA 2 CABRIO(USA)(CDN)	91 M	96MS4 60061>68000	M64.01/02 184 KW
911 CARRERA 4 COUPE (USA)(CDN)	91 M	96MS4 10061>18000	M64.01 184 KW
911 CARRERA 4 TARGA (USA)(CDN)	91 M	96MS4 40061>48000	M64.01 184 KW
911 CARRERA 4 CABRIO(USA)(CDN)	91 M	96MS4 60061>68000	M64.01 184 KW
911 TURBO (USA)(CDN)	91 M	96MS4 80061>85000	M30.69 235 KW
911 CARRERA 2 COUPE	92 N	96NS4 00061>08000	M64.01/02 184 KW
911 CARRERA 2 TARGA	92 N	96NS4 30061>38000	M64.01/02 184 KW
911 CARRERA 2 CABRIO	92 N	96NS4 50061>58000	M64.01/02 184 KW
911 CARRERA 2 RS	92 N	96NS4 90061>96000	M64.03 191 KW
911 CARRERA 2 RS M002(TOURING)	92 N	96NS4 90061>96000	M64.03 191 KW
911 CARRERA 4 COUPE	92 N	96NS4 00061>08000	M64.01 184 KW
911 CARRERA 4 TARGA	92 N	96NS4 30061>38000	M64.01 184 KW
911 CARRERA 4 CABRIO	92 N	96NS4 50061>58000	M64.01 184 KW
911 TURBO	92 N	96NS4 70061>75000	M30.69 235 KW
911 CARRERA 2 COUPE (USA)(CDN)	92 N	96NS4 20061>28000	M64.01/02 184 KW
911 CARRERA 2 TARGA (USA)(CDN)	92 N	96NS4 40061>48000	M64.01/02 184 KW
911 CARRERA 2 CABRIO(USA)(CDN)	92 N	96NS4 60061>68000	M64.01/02 184 KW
911 CARRERA 2 RS AMERICA (USA)(CDN)	92 N	96PS4 18061>18999	M64.01 184 KW
911 CARRERA 4 COUPE (USA)(CDN)	92 N	96NS4 20061>28000	M64.01 184 KW
911 CARRERA 4 TARGA (USA)(CDN)	92 N	96NS4 40061>48000	M64.01 184 KW
911 CARRERA 4 CABRIO(USA)(CDN)	92 N	96NS4 60061>68000	M64.01 184 KW
911 TURBO (USA)(CDN)	92 N	96NS4 80061>85000	M30.69 235 KW

Model: STZ Model life 1985>>1998

SUMMARY TYPES

VEHICLE TYPE	MY	VEHICLE IDENT.NR.	ENGINE TYPE	
911 CARRERA 2 COUPE	93 P	96PS4 00061>08000	M64.01/02	184 KW
911 CARRERA 2 TARGA	93 P	96PS4 30061>35000	M64.01/02	184 KW
911 CARRERA 2 CABRIO	93 P	96PS4 50061>54000	M64.01/02	184 KW
911 SPEEDSTER	93 P	96RS4 55061>58000	M64.01/02	184 KW
911 CARRERA 4 COUPE	93 P	96PS4 00061>08000	M64.01	184 KW
911 CARRERA 4 TARGA	93 P	96PS4 30061>35000	M64.01	184 KW
911 CARRERA 4 CABRIO	93 P	96PS4 50061>54000	M64.01	184 KW
911 CARRERA 2 COUPE (USA)(CDN)	93 P	96PS4 20061>28000	M64.01/02	184 KW
911 CARRERA 2 TARGA (USA)(CDN)	93 P	96PS4 40061>45000	M64.01/02	184 KW
911 CARRERA 2 CABRIO(USA)(CDN)	93 P	96PS4 60061>64000	M64.01/02	184 KW
911 SPEEDSTER (USA)(CDN)	93 P	96RS4 65061>68000	M64.01/02	184 KW
911 CARRERA 2 RS AMERICA (USA)(CDN)	93 P	96PS4 19061>19999	M64.01	184 KW
911 CARRERA 4 COUPE (USA)(CDN)	93 P	96PS4 20061>28000	M64.01	184 KW
911 CARRERA 4 TARGA (USA)(CDN)	93 P	96PS4 40061>45000	M64.01	184 KW
911 CARRERA 4 CABRIO(USA)(CDN)	93 P	96PS4 60061>64000	M64.01	184 KW
911 TURBO 3.6 COUPE	93 P	96PS4 70061>75000	M64.50	265 KW
911 TURBO 3.6 COUPE (USA)(CDN)	93 P	96RS4 80061>85000	M64.50	265 KW
911 CARRERA 2 CABRIO	94 R	96RS4 50061>54000	M64.01/02	184 KW
911 CARRERA 2 SPEEDSTER	94 R	96RS4 55061>58000	M64.01/02	184 KW
911 CARRERA 4 COUPE	94 R	96RS4 00061>08000	M64.01	184 KW
911 CARRERA 2 COUPE (USA)(CDN)	94 R	96RS4 20061>28000	M64.01/02	184 KW
911 CARRERA 2 CABRIO(USA)(CDN)	94 R	96RS4 60061>64000	M64.01/02	184 KW
911 CARRERA 2 SPEEDSTER (USA)(CDN)	94 R	96RS4 65061>68000	M64.01/02	184 KW
911 CARRERA 2 RS AMERICA (USA)(CDN)	94 R	96RS4 19061>19999	M64.01	184 KW
911 CARRERA 4 COUPE (USA)(CDN)	94 R	96RS4 20061>28000	M64.01	184 KW
911 TURBO 3.6 COUPE	94 R	96RS4 70061>75000	M64.50	265 KW
911 TURBO 3.6 COUPE (USA)(CDN)	94 R	96RS4 80061>85000	M64.50	265 KW

Model: STZ Model life 1985>>1998

SUMMARY TYPES

VEHICLE TYPE	MY	VIN	ENGINE TYPE
911 CARRERA COUPE	94 R	99RS3 10061>19000	M64.05/06 200 KW
911 CARRERA COUPE (USA) (CDN)	94 R	99SS3 20061>29000	M64.07/08 200 KW
911 CARRERA CABRIO	94 R	99RS3 30061>39000	M64.05/06 200 KW
911 CARRERA CABRIO(USA) (CDN)	94 R	99SS3 40061>49000	M64.07/08 200 KW
911 CARRERA COUPE	95 S	99SS3 10061>19000	M64.05/06 200 KW
911 CARRERA COUPE (USA) (CDN)	95 S	99SS3 20061>29000	M64.07/08 200 KW
911 CARRERA RS	95 S	99SS3 90061>90207	M64.20 220 KW
911 CARRERA RS	95 S	99TS3 90061>90640	M64.20 220 KW
911 CARRERA CABRIO	95 S	99SS3 30061>39000	M64.05/06 200 KW
911 CARRERA CABRIO(USA) (CDN)	95 S	99SS3 40061>49000	M64.07/08 200 KW
911 CARRERA 4 COUPE	95 S	99SS3 10061>19000	M64.05 200 KW
911 CARRERA 4 COUPE (USA) (CDN)	95 S	99SS3 20061>29000	M64.07 200 KW
911 CARRERA 4 CABRIO	95 S	99SS3 30061>39000	M64.05 200 KW
911 CARRERA 4 CABRIO(USA) (CDN)	95 S	99SS3 40061>49000	M64.07 200 KW
911 TURBO COUPE(S) (CH) (AG)	95 S	99SS3 70061>73000	M64.60 300 KW
911 TURBO COUPE	95 S	99TS3 70061>71089	M64.60 300 KW
911 TURBO COUPE (USA) (CDN)	95 S	99TS3 75001>75544	M64.60 300 KW
911 CARRERA COUPE	96 T	99TS3 10061>19000	M64.21/22 210 KW
911 CARERRA COUPE (USA) (CDN) (BR)	96 T	99TS3 20061>29000	M64.23/24 210 KW
911 CARRERA RS	96 T	99SS3 90208>90999	M64.20 220 KW
911 CARRERA RS	96 T	99TS3 90641>90800	M64.20 220 KW
911 CARRERA CABRIO	96 T	99TS3 30061>39000	M64.21/22 210 KW
911 CARRERA CABRIO(USA) (CDN) (BR)	96 T	99TS3 40061>49000	M64.23/24 210 KW
911 CARRERA TARGA	96 T	99TS3 80061>85000	M64.21/22 210 KW
911 CARRERA TARGA (USA) (CDN) (BR)	96 T	99TS3 85061>89000	M64.23/24 210 KW
911 CARRERA 4 COUPE	96 T	99TS3 10061>19000	M64.21 210 KW
911 CARRERA 4 COUPE (USA) (CDN) (BR)	96 T	99TS3 20061>29000	M64.23 210 KW
911 CARRERA 4 CABRIO	96 T	99TS3 30061>39000	M64.21 210 KW
911 CARRERA 4 CABRIO(USA) (CDN) (BR)	96 T	99TS3 40061>49000	M64.23 210 KW
911 TURBO COUPE	96 T	99TS3 71090>73000	M64.60 300 KW
911 TURBO COUPE (USA) (CDN) (BR)	96 T	99TS3 75545>76000	M64.60 300 KW
911 CARRERA COUPE	97 V	99VS3 10061>19000	M64.21/22 210 KW
911 CARRERA COUPE (USA) (CDN)	97 V	99VS3 20061>29000	M64.23/24 210 KW
911 CARRERA COUPE (BR)	97 V	99TS3 29601>29999	M64.23/24 210 KW
911 CARRERA COUPE (BR)	97 V	99VS3 29201>29999	M64.23/24 210 KW
911 CARRERA CABRIO	97 V	99VS3 30061>39000	M64.21/22 210 KW

**Model: STZ****Model life 1985>>1998**

911 CARRERA	CABRIO(USA)(CDN)	97 V 99VS3	40061>49000	M64.23/24	210 KW
911 CARRERA	CABRIO(BR)	97 V 99VS3	49601>49999	M64.23/24	210 KW

Model: STZ Model life 1985>>1998

SUMMARY TYPES

VEHICLE TYPE	MY	VIN	ENGINE TYPE
911 CARRERA TARGA	97 V	99VS3 80061>85000	M64.21/22 210 KW
911 CARRERA TARGA (USA) (CDN)	97 V	99VS3 85061>89000	M64.23/24 210 KW
911 CARRERA TARGA (BR)	97 V	99VS3 89801>89999	M64.23/24 210 KW
911 CARRERA 4 COUPE	97 V	99VS3 10061>19000	M64.21 210 KW
911 CARRERA 4 COUPE (USA) (CDN)	97 V	99VS3 20061>29000	M64.23 210 KW
911 CARRERA 4 COUPE (BR)	97 V	99VS3 29401>29999	M64.23 210 KW
911 CARRERA 4 CABRIO	97 V	99VS3 30061>39000	M64.21 210 KW
911 CARRERA 4 CABRIO(USA) (CDN)	97 V	99VS3 40061>49000	M64.23 210 KW
911 CARRERA 4 CABRIO(BR)	97 V	99VS3 49801>49999	M64.23 210 KW
911 TURBO COUPE	97 V	99VS3 70061>73000	M64.60 300 KW
911 TURBO COUPE (USA) (CDN)	97 V	99VS3 75061>76000	M64.60 300 KW
911 TURBO COUPE (BR)	97 V	99VS3 79801>79999	M64.60 300 KW
911 CARRERA COUPE	98 W	99WS3 10061>19000	M64.21/22 210 KW
911 CARRERA COUPE (USA) (CDN)	98 W	99WS3 20061>29000	M64.23/24 210 KW
911 CARRERA COUPE (BR)	98 W	99WS3 29201>29999	M64.23/24 210 KW
911 CARRERA CABRIO	98 W	99WS3 30061>39000	M64.21/22 210 KW
911 CARRERA CABRIO(USA) (CDN)	98 W	99WS3 40061>49000	M64.23/24 210 KW
911 CARRERA CABRIO(BR)	98 W	99WS3 49601>49999	M64.23/24 210 KW
911 CARRERA TARGA	98 W	99WS3 80061>85000	M64.21/22 210 KW
911 CARRERA TARGA (USA) (CDN)	98 W	99WS3 85061>89000	M64.23/24 210 KW
911 CARRERA TARGA (BR)	98 W	99WS3 89801>89999	M64.23/24 210 KW
911 CARRERA 4 COUPE	98 W	99WS3 10061>19000	M64.21 210 KW
911 CARRERA 4 COUPE (USA) (CDN)	98 W	99WS3 20061>29000	M64.23 210 KW
911 CARRERA 4 COUPE (BR)	98 W	99WS3 29401>29999	M64.23 210 KW
911 CARRERA 4 CABRIO	98 W	99WS3 30061>39000	M64.21 210 KW
911 CARRERA 4 CABRIO(USA) (CDN)	98 W	99WS3 40061>49000	M64.23 210 KW
911 CARRERA 4 CABRIO(BR)	98 W	99WS3 49801>49999	M64.23 210 KW
911 TURBO COUPE	98 W	99WS3 70061>73000	M64.60 300 KW
911 TURBO COUPE (USA) (CDN)	98 W	99WS3 75061>77000	M64.60 300 KW
911 TURBO COUPE (BR)	98 W	99WS3 79801>79999	M64.60 300 KW

Model: STZ Model life 1985>>1998

SUMMARY TYPES

VEHICLE TYPE	MY	VIN	ENGINE TYPE
928 S	85 F	92FS8 40001>45000	M28.21/22 228 KW
928 S M298/299	85 F	92FS8 40001>45000	M28.43/44 200 KW
928 S (USA)(CDN)	85 F	92FS8 60001>65000	M28.43/44 200 KW
928 S (J)	85 F	92FS8 49501>49999	M28.44 200 KW
928 S	86 G	92GS8 40001>45000	M28.21/22 228 KW
928 S M298/299	86 G	92GS8 40001>45000	M28.45/46 212 KW
928 S (USA)(CDN)	86 G	92GS8 60001>65000	M28.43/44 215 KW
928 S (S)	86 G	92GS8 49501>49999	M28.44 215 KW
928 S4	87 H	92HS8 40001>45000	M28.41/42 235 KW
928 S4 (J)	87 H	92HS8 49501>49999	M28.42 235 KW
928 S4 (USA)(CDN)	87 H	92HS8 60001>65000	M28.41/42 235 KW
928 S4	88 J	92JS8 40001>45000	M28.41/42 235 KW
928 CS M637	88 J	92JS8 45001>46000	M28.41 235 KW
928 S4 (J)	88 J	92JS8 49501>49999	M28.42 235 KW
928 S4 (USA)(CDN)	88 J	92JS8 60001>65000	M28.41/42 235 KW
928 CS M637 (USA)(CDN)	88 J	92JS8 65001>66000	M28.41 235 KW
928 S4/CS	89 K	92KS8 40001>45000	M28.41/42 235 KW
928 GT	89 K	92KS8 40001>45000	M28.47 243 KW
928 S4/CS (USA)(CDN)	89 K	92KS8 60001>65000	M28.41/42 235 KW
928 GT (USA)(CDN)	89 K	92KS8 60001>65000	M28.47 243 KW
928 S4	90 L	92LS8 40001>49500	M28.42 235 KW
928 GT	90 L	92LS8 40001>49500	M28.47 243 KW
928 S4 (USA)(CDN)	90 L	92LS8 60001>69500	M28.42 235 KW
928 GT (USA)(CDN)	90 L	92LS8 60001>69500	M28.47 243 KW
928 S4	91 M	92MS8 00001>05000	M28.42 235 KW
928 GT	91 M	92MS8 00001>05000	M28.47 243 KW
928 S4 (USA)(CDN)	91 M	92MS8 10001>15000	M28.42 235 KW
928 GT (USA)(CDN)	91 M	92MS8 10001>15000	M28.47 243 KW

Model: STZ

Model life 1985&gt;&gt;1998

## SUMMARY TYPES

VEHICLE TYPE	MY	VIN	ENGINE TYPE
928 GTS	92 N	92NS8 00061>05000	M28.49/50 257 KW
928 GTS (USA) (CDN)	92 N	92PS8 15061>19999	M28.49/50 257 KW
928 GTS	93 P	92PS8 00061>05000	M28.49/50 257 KW
928 GTS (USA) (CDN)	93 P	92PS8 20061>25000	M28.49/50 257 KW
928 GTS	94 R	92RS8 00061>05000	M28.49/50 257 KW
928 GTS (USA) (CDN)	94 R	92RS8 20061>25000	M28.49/50 257 KW
928 GTS	95 S	92SS8 00061>05000	M28.49/50 257 KW
928 GTS (USA) (CDN)	95 S	92SS8 20061>25000	M28.49/50 257 KW

Model: STZ

Model life 1985>>1998

LEGENDS/NOTICES

LEGENDS AND NOTICES

=====

IN COLUMN -S- STATUS

-----

- N NEW ADDITION
- P PART ALREADY IN PROGRAMME, BUT NEW AT THIS APPLICATION
- W DELETED AT THIS APPLICATION, BUT CONTINUED TO BE CARRIED
- A STOCK TO BE USED UP
- U DELETED WITHOUT REPLACEMENT

IN COLUMN - ILL. -

-----

- 1 IDENTIFICATION NO. IN ILLUSTRATION
- (1) PART ONLY SIMILAR AS ILLUSTRATED
- PART IS NOT ILLUSTRATED

FIG.-NUMBERS FOR WHICH THERE IS SHOWN NO TEXT ARE NOT VALID FOR THIS EDITION OF CATALOGUE

IN COLUMN -PART NUMBER/CODE-

-----

000 000 000 00 PART NUMBER EQUALS ORDERING NO., IF A CODE IS SHOWN, IT WILL HAVE TO BE PART OF ORDERING NUMBER

01C COLOUR CODE

IN COLUMN -TEXT

-----

PERIOD OF INSTALLATION UP TO AND AS OF CHASSIS RANGE

EXAMPLE:

F >>96LS4 00889 UP TO CHASSIS NUMBER

F 96LS4 00890>> AS OF CHASSIS NUMBER



Model: STZ

Model life 1985>>1998

LEGENDS/NOTICES

IN COLUMN - A -  
-----

IDENTIFICATION LETTER FOR PERIOD OF INSTALLATION  
THAT IS REPEATED SEVERAL TIMES IN THE CATALOG GROUP.

EXPLANATION PLEASE FIND IN TEXT COLUMN OF THE CATALOG GROUP

IN COLUMN - QU - = NO. OF PIECES  
-----

1 NUMBER PER APPLICATION

X NUMBER AS NEEDED

\* AVAILABLE ONLY IN RUNNING LENGTHS 1 = 1 METRE

IN COLUMN - MODEL/SYMBOL -  
-----

M981 OPTIONAL EQUIPMENT - SEE M-NO. LIST

-90 LIMITATION OF MODEL YEAR FOR INSTANCE: VALID UP TO  
END OF MODEL YEAR 1990

/LL LHD

/RL RHD

/V FRONT I  
I

/H REAR I

/L LEFT I I----> APPLIES TO  
DIRECTION OF TRAVEL

/R RIGHT I

-----+

C2 CARRERA 2

C4 CARRERA 4

WW THE PART CAN BE USED INSTEAD OF THE  
PRECEDING ONE.

Model: STZ

Model life 1985&gt;&gt;1998

COUNTRY-EQIPM.

## EQUIPMENT BY COUNTRY REGULATIONS

=====

(A)	AUSTRIA
(AG)	ARABIEN GULF STATES
(AUS)	AUSTRALIA
(B)	BELGIUM
(BR)	BRAZIL
(CDN)	CANADA
(CH)	SWITZERLAND
(D)	FEDERAL REPUBLIC OF GERMANY
(DK)	DENMARK
(E)	SPAIN
(F)	FRANCE
(GB)	GREAT BRITAIN
(GR)	GREECE
(HK)	HONGKONG
(I)	ITALY
(J)	JAPAN
(L)	LUXEMBURG
(N)	NORWAY
(NL)	NETHERLANDS
(NZ)	NEW ZEALAND
(P)	PORTUGAL
(RC)	TAIWAN
(S)	SWEDEN
(SA)	SAUDI ARABIA
(SF)	FINLAND
(USA)	UNITED STATES OF AMERICA
(ZA)	SOUTH AFRICA

Model: STZ Model life 1985>>1998

NR	Description
M000	+-----+ ! Summary of optional extras "M"! +-----+
M002	Touring equipment for Carrera RS e. g. electric window opener central locking system underbody protection
M096	Anniversary model "30 years 911"
M097	Anniversary model "25 years 911" (D) -----
	Exterior: dark Blue Metallic Interior: all leather equipment in Pear Grey carpets of silk-velour, Pear Grey special center console
M098	Anniversary model "25 years 911" (USA) -----
	Exterior: Silver Metallic Interior: all leather equipment in Silk Grey carpets of silk-velour, Silk Grey special center console
M099	Anniversary model "25 years 911" (RDW) -----
	Exterior: Blue Metallic Interior: all leather equipment in Blue Metallic carpets of silk-velour, Silver Blue special center console
M139	Seat heating system, left seat
M185	2-point seat belts, rear automatic
M186	2-point seat belts, rear manual
M335	Automatic seat belt, 3-point, rear
M340	Seat heating system, right seat
M371	Sports seat, left manually adjustable
M372	Sports seat, right manually adjustable
M373	Sports seat, left, electrically height adjustable
M374	Sports seat, right, electrically height adjustable
M379	Standard seat, left, electrical vertical adjustment

Model: STZ Model life 1985>>1998

NR	Description
M380	Standard seat, right, electrcal vertical adjustment
M381	Standard seat, left, manually adjustable
M382	Standard seat, right, manually adjustable
M383	Sports seat, left, electrically vertically adjustable
M384	Bucket seat, left
M385	Bucket seat, right
M387	Sports seat, right, electrically vertically adjustable
M419	Rear luggage dump
M437	Comfort seat, left, electrically adjustable
M438	Comfort seat, right, electrically adjustable
M491	Turbo Look
M513	Lumbar support, right seat
M537	Seating position control for comfort seat, left
M538	Seating position control for comfort seat, right
M586	Lumbar support, left seat
M637	Club Sport "CS"
M639	Version "GT"
M685	Rear seats, split
M757	Special model 944
M758	Special model 944 Turbo S '88
M930	Seat covers, rear, leather
M931	Seat covers, rear, leatherette
M932	Seat covers,, rear cloth/leatherette/leatherette
M933	Seat covers, rear cloth/leather/leather
M934	Seat covers, rear, cloth/cloth/leatherette
M935	Seat covers, rear, draped leather
M936	Seat covers, rear, leather
M937	Seat covers, rear, leatherette
M938	Seat covers, rear, cloth
M939	Seat covers, rear, draped leather
M946	Seat covers, front, leather/leather/leatherette
M947	Seat covers front: cloth/leather/leatherette rear: cloth/leatherette/leatherette

Model: STZ

Model life 1985&gt;&gt;1998

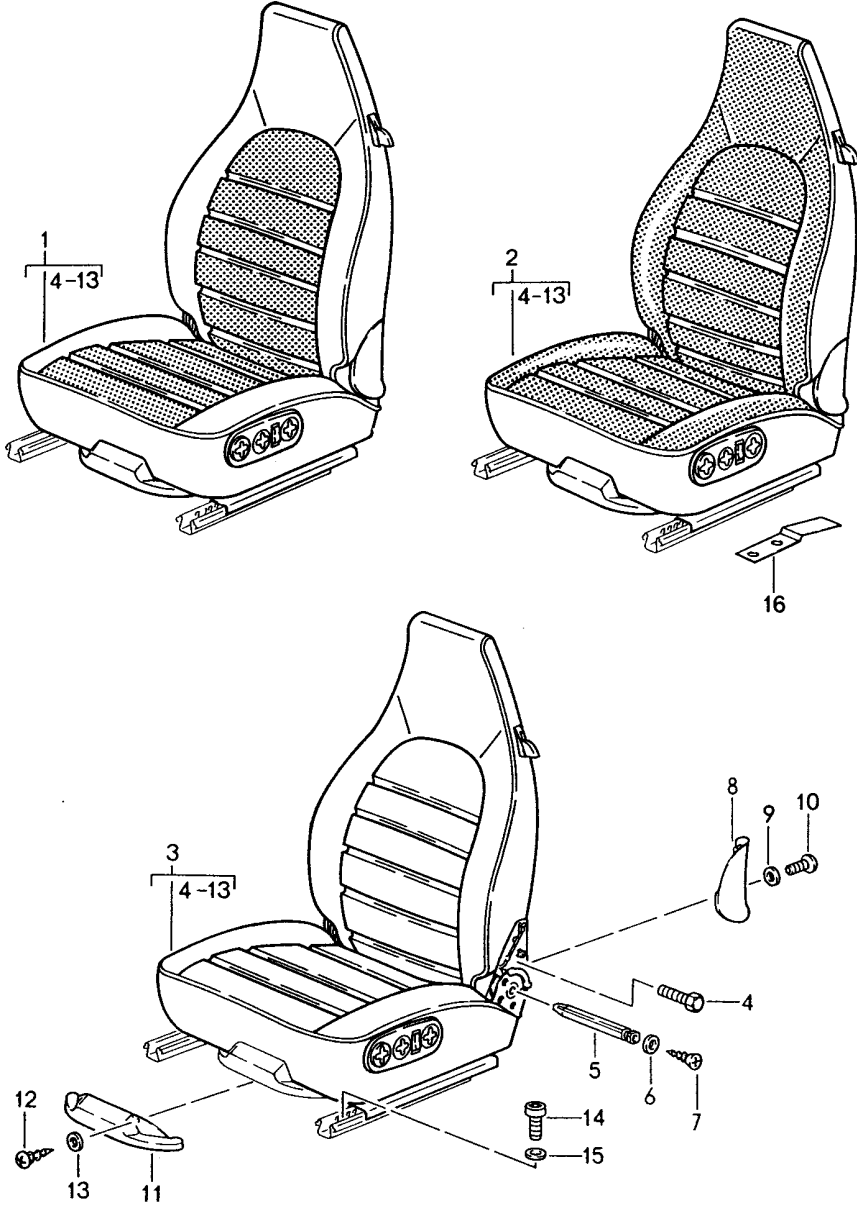
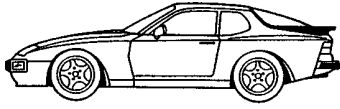
NR	Description
M948	Seat covers, front, cloth/leather/leather
M980	Seat cover - draped leather
M981	Leather equipment
M982	Seat covers, front, draped leather/leather/leather
M983	Seat covers, front, leather
M986	Partial leather equipment
M990	Seat covers, front, cloth/cloth/leatherette

Model: STZ

Model life 1985>>1998

Model: STZ

Model life 1985>>1998



Model: STZ Model life 1985&gt;&gt;1998

Pos	Part Number	Description	Remark	Qty	Model
(1)	928 521 002 10	Front seat Complete Standard seat Manually adjustable Leatherette/ Centre part in cloth Pin stripe velour	-88 /LL /R	1	944/S TURBO/S
	928 521 002 10 JN1	Black/ Black-white			
	928 521 002 10 JN2	Brown/ Brown-beige			
	928 521 002 10 RC7	Light grey Light grey-white			
	928 521 002 10 LT2	Burgundy/ Burgundy-white			
1	928 521 001 12	Front seat Elect. vertical adjustment Leatherette/ Centre part in cloth Pin stripe velour	/LL /L	1	
	928 521 001 12 JN1	Black/ Black-white			
	928 521 001 12 JN2	Brown/ Brown-beige			
	928 521 001 12 RC7	Light grey Light grey-white			
	928 521 001 12 LT2	Burgundy/ Burgundy-white			
1	928 521 001 14	Front seat Elect. vertical adjustment with seat heating Leatherette/ Centre part in cloth Pin stripe velour	/LL /L	1	
	928 521 001 14 JN1	Black/ Black-white			
	928 521 001 14 JN2	Brown/ Brown-beige			
	928 521 001 14 RC7	Light grey Light grey-white			
	928 521 001 14 LT2	Burgundy/ Burgundy-white			
1	928 521 003 00	Comfort seat All-electric Leatherette/ Centre part in cloth Pin stripe velour	/L	1	M437
	928 521 003 00 JN1	Black/ Black-white			
	928 521 003 00 JN2	Brown/ Brown-beige			
	928 521 003 00 RC7	Light grey Light grey-white			
	928 521 003 00 LT2	Burgundy/ Burgundy-white			
(1)	928 521 004 00	Comfort seat All-electric Leatherette/ Centre part in cloth Pin stripe velour	/R	1	M438
	928 521 004 00 JN1	Black/ Black-white			
	928 521 004 00 JN2	Brown/			



Model: STZ Model life 1985>>1998

Pos	Part Number	Description	Remark	Qty	Model
	928 521 004 00 RC7	Brown-beige Light grey			
	928 521 004 00 LT2	Light grey-white Burgundy/ Burgundy-white			
1	928 521 003 02	Comfort seat All-electric with seat heating Leatherette/ Centre part in cloth Pin stripe velour	/L	1	M437
	928 521 003 02 JN1	Black/ Black-white			
	928 521 003 02 JN2	Brown/ Brown-beige			
	928 521 003 02 RC7	Light grey Light grey-white			
	928 521 003 02 LT2	Burgundy/ Burgundy-white			
(1)	928 521 004 02	Comfort seat All-electric with seat heating Leatherette/ Centre part in cloth Pin stripe velour	/R	1	M438
	928 521 004 02 JN1	Black/ Black-white			
	928 521 004 02 JN2	Brown/ Brown-beige			
	928 521 004 02 RC7	Light grey Light grey-white			
	928 521 004 02 LT2	Burgundy/ Burgundy-white			
1	944 521 003 00	Comfort seat All-electric Lumbar support Leatherette/ Centre part in cloth Pin stripe velour	/L	1	M437
	944 521 003 00 JN1	Black/ Black-white			
	944 521 003 00 JN2	Brown/ Brown-beige			
	944 521 003 00 RC7	Light grey Light grey-white			
	944 521 003 00 LT2	Burgundy/ Burgundy-white			
(1)	944 521 004 00	Comfort seat All-electric Lumbar support Leatherette/ Centre part in cloth Pin stripe velour	/R	1	M438
	944 521 004 00 JN1	Black/ Black-white			
	944 521 004 00 JN2	Brown/ Brown-beige			
	944 521 004 00 RC7	Light grey Light grey-white			
	944 521 004 00 LT2	Burgundy/ Burgundy-white			
1	944 521 003 02	Comfort seat All-electric	/L	1	M437

Model: STZ Model life 1985>>1998

Pos	Part Number	Description	Remark	Qty	Model
		Lumbar support with seat heating Leatherette/ Centre part in cloth Pin stripe velour			
	944 521 003 02 JN1	Black/ Black-white			
	944 521 003 02 JN2	Brown/ Brown-beige			
	944 521 003 02 RC7	Light grey Light grey-white			
	944 521 003 02 LT2	Burgundy/ Burgundy-white			
(1)	944 521 004 02	Comfort seat All-electric Lumbar support with seat heating Leatherette/ Centre part in cloth Pin stripe velour	/R	1	M438
	944 521 004 02 JN1	Black/ Black-white			
	944 521 004 02 JN2	Brown/ Brown-beige			
	944 521 004 02 RC7	Light grey Light grey-white			
	944 521 004 02 LT2	Burgundy Burgundy-white			
(1)	928 521 002 10	Standard seat Manually adjustable Leatherette/ Centre part in cloth Pin stripe flannel	/LL /R	1	
	928 521 002 10 NX4	Black/antracite			
	928 521 002 10 NX5	Brown/brown			
	928 521 002 10 NX6	Light grey/light grey			
	928 521 002 10 NX7	Burgundy/burgundy			
1	928 521 001 12	Front seat Elect. vertical adjustment Leatherette/ Centre part in cloth Pin stripe flannel	/LL /L	1	
	928 521 001 12 NX4	Black/antracite			
	928 521 001 12 NX5	Brown/brown			
	928 521 001 12 NX6	Light grey/light grey			
	928 521 001 12 NX7	Burgundy/burgundy			
1	928 521 001 14	Front seat Elect. vertical adjustment with seat heating Leatherette/ Centre part in cloth Pin stripe flannel	/LL /L	1	
	928 521 001 14 NX4	Black/antracite			
	928 521 001 14 NX5	Brown/brown			
	928 521 001 14 NX6	Light grey/light grey			
	928 521 001 14 NX7	Burgundy/burgundy			
1	928 521 003 00	Comfort seat All-electric Leatherette/ Centre part in cloth Pin stripe flannel	/L	1	M437
	928 521 003 00 NX4	Black/antracite			
	928 521 003 00 NX5	Brown/brown			

Model: STZ Model life 1985>>1998

Pos	Part Number	Description	Remark	Qty	Model
(1)	928 521 003 00 NX6	Light grey/light grey			
	928 521 003 00 NX7	Burgundy/burgundy			
	928 521 004 00	Comfort seat	/R	1	M438
		All-electric			
		Leatherette/ Centre part in cloth			
		Pin stripe flannel			
		928 521 004 00 NX4	Black/anthracite		
1	928 521 004 00 NX5	Brown/brown			
	928 521 004 00 NX6	Light grey/light grey			
	928 521 004 00 NX7	Burgundy/burgundy			
	928 521 003 02	Comfort seat	/L	1	M437
		All-electric with seat heating			
		Leatherette/ Centre part in cloth			
		Pin stripe flannel			
(1)	928 521 003 02 NX4	Black/anthracite			
	928 521 003 02 NX5	Brown/brown			
	928 521 003 02 NX6	Light grey/light grey			
	928 521 003 02 NX7	Burgundy/burgundy			
	928 521 004 02	Comfort seat	/R	1	M438
		All-electric with seat heating			
		Leatherette/ Centre part in cloth			
1	928 521 004 02 NX4	Black/anthracite			
	928 521 004 02 NX5	Brown/brown			
	928 521 004 02 NX6	Light grey/light grey			
	928 521 004 02 NX7	Burgundy/burgundy			
	944 521 003 00	Comfort seat	/L	1	M437
		All-electric Lumbar support			
		Leatherette/ Centre part in cloth			
(1)	944 521 003 00 NX4	Black/anthracite			
	944 521 003 00 NX5	Brown/brown			
	944 521 003 00 NX6	Light grey/light grey			
	944 521 003 00 NX7	Burgundy/burgundy			
	944 521 004 00	Comfort seat	/R	1	M438
		All-electric Lumbar support			
		Leatherette/ Centre part in cloth			
1	944 521 004 00 NX4	Black/anthracite			
	944 521 004 00 NX5	Brown/brown			
	944 521 004 00 NX6	Light grey/light grey			
	944 521 004 00 NX7	Burgundy/burgundy			
	944 521 003 02	Comfort seat	/L	1	M437
		All-electric Lumbar support with seat heating			
		Leatherette/ Centre part in cloth			
(1)	944 521 003 02 NX4	Black/anthracite			
	944 521 003 02 NX5	Brown/brown			
	944 521 003 02 NX6	Light grey/light grey			
	944 521 003 02 NX7	Burgundy/burgundy			
	944 521 004 02	Comfort seat	/R	1	M438
		All-electric			
		Pin stripe flannel			

Model: STZ Model life 1985>>1998

Pos	Part Number	Description	Remark	Qty	Model
		All-electric Lumbar support with seat heating Leatherette/ Centre part in cloth Pin stripe flannel			
	944 521 004 02 NX4	Black/anthracite			
	944 521 004 02 NX5	Brown/brown			
	944 521 004 02 NX6	Light grey/light grey			
	944 521 004 02 NX7	Burgundy/burgundy			
(1)	928 521 002 10	Standard seat Manually adjustable Leatherette/ Centre part Porsche lettering cloth	/LL /R	1	
	928 521 002 10 PX1	Black/black			
	928 521 002 10 PX3	Brown/brown			
	928 521 002 10 NX9	Light grey/light grey			
	928 521 002 10 PX5	Burgundy/burgundy			
1	928 521 001 12	Front seat Elect. vertical adjustment Leatherette/ Centre part Porsche lettering cloth	/LL /L	1	
	928 521 001 12 PX1	Black/black			
	928 521 001 12 PX3	Brown/brown			
	928 521 001 12 NX9	Light grey/light grey			
	928 521 001 12 PX5	Burgundy/burgundy			
1	928 521 001 14	Front seat Elect. vertical adjustment with seat heating Leatherette/ Centre part Porsche lettering cloth	/LL /L	1	
	928 521 001 14 PX1	Black/black			
	928 521 001 14 PX3	Brown/brown			
	928 521 001 14 NX9	Light grey/light grey			
	928 521 001 14 PX5	Burgundy/burgundy			
1	928 521 003 00	Comfort seat All-electric Leatherette/ Centre part Porsche lettering cloth	/L	1	M437
	928 521 003 00 PX1	Black/black			
	928 521 003 00 PX3	Brown/brown			
	928 521 003 00 NX9	Light grey/light grey			
	928 521 003 00 PX5	Burgundy/burgundy			
(1)	928 521 004 00	Comfort seat All-electric Leatherette/ Centre part Porsche lettering cloth	/R	1	M438
	928 521 004 00 PX1	Black/black			
	928 521 004 00 PX3	Brown/brown			
	928 521 004 00 NX9	Light grey/light grey			
	928 521 004 00 PX5	Burgundy/burgundy			
1	928 521 003 02	Comfort seat All-electric with seat heating Leatherette/ Centre part Porsche lettering cloth	/L	1	M437
	928 521 003 02 PX1	Black/black			

Model: STZ Model life 1985>>1998

Pos	Part Number	Description	Remark	Qty	Model
(1)	928 521 003 02 PX3	Brown/brown	/R	1	M438
	928 521 003 02 NX9	Light grey/light grey			
	928 521 003 02 PX5	Burgundy/burgundy			
	928 521 004 02	Comfort seat All-electric with seat heating Leatherette/ Centre part Porsche lettering cloth			
	928 521 004 02 PX1	Black/black			
1	928 521 004 02 PX3	Brown/brown	/L	1	M437
	928 521 004 02 NX9	Light grey/light grey			
	928 521 004 02 PX5	Burgundy/burgundy			
	944 521 003 00	Comfort seat All-electric Lumbar support Leatherette/ Centre part Porsche lettering cloth			
	944 521 003 00 PX1	Black/black			
(1)	944 521 003 00 PX3	Brown/brown	/R	1	M438
	944 521 003 00 NX9	Light grey/light grey			
	944 521 003 00 PX5	Burgundy-burgundy			
	944 521 004 00	Comfort seat All-electric Lumbar support Leatherette/ Centre part Porsche lettering cloth			
	944 521 004 00 PX1	Black/black			
1	944 521 004 00 PX3	Brown/brown	/L	1	M437
	944 521 004 00 NX9	Light grey/light grey			
	944 521 004 00 PX5	Burgundy/burgundy			
	944 521 003 02	Comfort seat All-electric Lumbar support with seat heating Leatherette/ Centre part Porsche lettering cloth			
	944 521 003 02 PX1	Black/black			
(1)	944 521 003 02 PX3	Brown/brown	/R	1	M438
	944 521 003 02 NX9	Light grey/light grey			
	944 521 003 02 PX5	Burgundy/burgundy			
	944 521 004 02	Comfort seat All-electric Lumbar support with seat heating Leatherette/ Centre part Porsche lettering cloth			
	944 521 004 02 PX1	Black/black			
1	944 521 004 02 PX3	Brown/brown	/L -87	1	
	944 521 004 02 NX9	Light grey/light grey			
	944 521 004 02 PX5	Burgundy/burgundy			
	928 521 001 62	Standard seat Manually adjustable Leatherette/leather Centre part in cloth Pin stripe velour			
	928 521 001 62 PY1	Black/black Black-white			
	928 521 001 62 PY2	Brown/brown			

Model: STZ Model life 1985>>1998

Pos	Part Number	Description	Remark	Qty	Model
	928 521 001 62 PY4	Brown-beige Burgundy/burgundy			
	928 521 001 62 RC9	Burgundy-white Light grey/light grey	86-		
(1)	928 521 002 62	Light grey-white Standard seat Manually adjustable Leatherette/leather Centre part in cloth Pin stripe velour	/R -87	1	
	928 521 002 62 PY1	Black/black Black-white			
	928 521 002 62 PY2	Brown/brown Brown-beige			
	928 521 002 62 PY4	Burgundy/burgundy Burgundy-white			
	928 521 002 62 RC9	Light grey/light grey Light grey-white	86-		
1	928 521 001 67	Front seat Elect. vertical adjustment Leatherette/leather Centre part in cloth Pin stripe velour	/L -87	1	M379
	928 521 001 67 PY1	Black/black Black-white			
	928 521 001 67 PY2	Brown/brown Brown-beige			
	928 521 001 67 PY4	Burgundy/burgundy Burgundy-white			
	928 521 001 67 RC9	Light grey/light grey Light grey-white	86-		
(1)	928 521 002 67	Front seat Elect. vertical adjustment Leatherette/leather Centre part in cloth Pin stripe velour	/R -87	1	M380
	928 521 002 67 PY1	Black/black Black-white			
	928 521 002 67 PY2	Brown/brown Brown-beige			
	928 521 002 67 PY4	Burgundy/burgundy Burgundy-white			
	928 521 002 67 RC9	Light grey/light grey Light grey-white	86-		
1	928 521 001 72	Front seat Elect. vertical adjustment with seat heating Leatherette/leather Centre part in cloth Pin stripe velour	/L -87	1	M379
	928 521 001 72 PY1	Black/black Black-white			
	928 521 001 72 PY2	Brown/brown Brown-beige			
	928 521 001 72 PY4	Burgundy/burgundy Burgundy-white			
	928 521 001 72 RC9	Light grey/light grey Light grey-white	86-		
(1)	928 521 002 72	Front seat Elect. vertical adjustment with seat heating Leatherette/leather Centre part in cloth	/R -87	1	M380

Model: STZ Model life 1985>>1998

Pos	Part Number	Description	Remark	Qty	Model
	928 521 002 72 PY1	Pin stripe velour Black/black			
	928 521 002 72 PY2	Black-white Brown/brown			
	928 521 002 72 PY4	Brown-beige Burgundy/burgundy			
	928 521 002 72 RC9	Burgundy-white Light grey/light grey	86-		
1	928 521 003 50	Light grey-white Comfort seat	/L -87	1	M437
		All-electric Leatherette/leather			
		Centre part in cloth Pin stripe velour			
	928 521 003 50 PY1	Black/black			
	928 521 003 50 PY2	Black-white Brown/brown			
	928 521 003 50 PY4	Brown-beige Burgundy/burgundy			
	928 521 003 50 RC9	Burgundy-white Light grey/light grey	86-		
(1)	928 521 004 50	Light grey-white Comfort seat	/R -87	1	M438
		All-electric Leatherette/leather			
		Centre part in cloth Pin stripe velour			
	928 521 004 50 PY1	Black/black			
	928 521 004 50 PY2	Black-white Brown/brown			
	928 521 004 50 PY4	Brown-beige Burgundy/burgundy			
	928 521 004 50 RC9	Burgundy-white Light grey/light grey	86-		
1	928 521 003 55	Light grey-white Comfort seat	/L -87	1	M437
		All-electric with seat heating			
		Leatherette/leather Centre part in cloth			
		Pin stripe velour			
	928 521 003 55 PY1	Black/black			
	928 521 003 55 PY2	Black-white Brown/brown			
	928 521 003 55 PY4	Brown-beige Burgundy/burgundy			
	928 521 003 55 RC9	Burgundy-white Light grey/light grey	86-		
(1)	928 521 004 55	Light grey-white Comfort seat	/R -87	1	M438
		All-electric with seat heating			
		Leatherette/leather Centre part in cloth			
		Pin stripe velour			
	928 521 004 55 PY1	Black/black			
	928 521 004 55 PY2	Black-white Brown/brown			
	928 521 004 55 PY4	Brown-beige Burgundy/burgundy			
	928 521 004 55 RC9	Burgundy-white Light grey	86-		
		Light grey-white			

Model: STZ Model life 1985>>1998

Pos	Part Number	Description	Remark	Qty	Model
1	944 521 003 50	Comfort seat All-electric Lumbar support Leatherette/leather Centre part in cloth Pin stripe velour	/L -87	1	M437
	944 521 003 50 PY1	Black/ Black-white			
	944 521 003 50 PY2	Brown/ Brown-beige			
	944 521 003 50 PY4	Burgundy Burgundy-white			
	944 521 003 50 RC9	Light grey Light grey-white	86-		
(1)	944 521 004 50	Comfort seat All-electric Lumbar support Leatherette/leather Centre part in cloth Pin stripe velour	/R -87	1	M438
	944 521 004 50 PY1	Black/ Black-white			
	944 521 004 50 PY2	Brown/brown Brown-beige			
	944 521 004 50 PY4	Burgundy Burgundy-white			
	944 521 004 50 RC9	Light grey/light grey Light grey-white	86-		
1	944 521 003 55	Comfort seat All-electric Lumbar support with seat heating Leatherette/leather Centre part in cloth Pin stripe velour	/L -87	1	M437
	944 521 003 55 PY1	Black/ Black-white			
	944 521 003 55 PY2	Brown/ Brown-beige			
	944 521 003 55 PY4	Burgundy Burgundy-white			
	944 521 003 55 RC9	Light grey Light grey-white	86-		
(1)	944 521 004 55	Comfort seat All-electric Lumbar support with seat heating Leatherette/leather Centre part in cloth Pin stripe velour	/R -87	1	M438
	944 521 004 55 PY1	Black/ Black-white			
	944 521 004 55 PY2	Brown/ Brown-beige			
	944 521 004 55 PY4	Burgundy Burgundy-white			
	944 521 004 55 RC9	Light grey/light grey Light grey-white	86-		
1	928 521 001 62	Standard seat Manually adjustable Leatherette/leather Centre part in cloth Pin stripe flannel	/L -87	1	



Model: STZ Model life 1985&gt;&gt;1998

Pos	Part Number	Description	Remark	Qty	Model
	928 521 001 62 PZ2	Black/black Anthracite			
	928 521 001 62 PZ3	Brown/brown Brown			
	928 521 001 62 PY8	Light grey/light grey Light grey			
	928 521 001 62 PZ5	Burgundy/burgundy Burgundy			
(1)	928 521 002 62	Standard seat Manually adjustable Leatherette/leather Centre part in cloth Pin stripe flannel	/R -87	1	
	928 521 002 62 PZ2	Black/black Anthracite			
	928 521 002 62 PZ3	Brown/brown Brown			
	928 521 002 62 PY8	Light grey/light grey Light grey			
	928 521 002 62 PZ5	Burgundy/burgundy Burgundy			
1	928 521 001 67	Front seat Elect. vertical adjustment Leatherette/leather Centre part in cloth Pin stripe flannel	/L -87	1	M379
	928 521 001 67 PZ2	Black/black Anthracite			
	928 521 001 67 PZ3	Brown/brown Brown			
	928 521 001 67 PY8	Light grey/light grey Light grey			
	928 521 001 67 PZ5	Burgundy/burgundy Burgundy			
(1)	928 521 002 67	Front seat Elect. vertical adjustment Leatherette/leather Centre part in cloth Pin stripe flannel	/R -87	1	M380
	928 521 002 67 PZ2	Black/black Anthracite			
	928 521 002 67 PZ3	Brown/brown Brown			
	928 521 002 67 PY8	Light grey/light grey Light grey			
	928 521 002 67 PZ5	Burgundy/burgundy Burgundy			
1	928 521 001 72	Front seat Elect. vertical adjustment with seat heating Leatherette/leather Centre part in cloth Pin stripe flannel	/L -87	1	M379
	928 521 001 72 PZ2	Black/black Anthracite			
	928 521 001 72 PZ3	Brown/brown Brown			
	928 521 001 72 PY8	Light grey/light grey Light grey			
	928 521 001 72 PZ5	Burgundy/burgundy Burgundy			
(1)	928 521 002 72	Front seat Elect. vertical adjustment	/R -87	1	M380

Model: STZ Model life 1985>>1998

Pos	Part Number	Description	Remark	Qty	Model
		with seat heating Leatherette/leather Centre part in cloth Pin stripe flannel			
	928 521 002 72 PZ2	Black/black Anthracite			
	928 521 002 72 PZ3	Brown/brown Brown			
	928 521 002 72 PY8	Light grey/light grey Light grey			
	928 521 002 72 PZ5	Burgundy/burgundy Burgundy			
1	928 521 003 50	Comfort seat All-electric Leatherette/leather Centre part in cloth Pin stripe flannel	/L -87	1	M437
	928 521 003 50 PZ2	Black/black Anthracite			
	928 521 003 50 PZ3	Brown/brown Brown			
	928 521 003 50 PY8	Light grey/light grey Light grey			
	928 521 003 50 PZ5	Burgundy/burgundy Burgundy			
(1)	928 521 004 50	Comfort seat All-electric Leatherette/leather Centre part in cloth Pin stripe flannel	/R -87	1	M438
	928 521 004 50 PZ2	Black/black Anthracite			
	928 521 004 50 PZ3	Brown/brown Brown			
	928 521 004 50 PY8	Light grey/light grey Light grey			
	928 521 004 50 PZ5	Burgundy/burgundy Burgundy			
1	928 521 003 55	Comfort seat All-electric with seat heating Leatherette/leather Centre part in cloth Pin stripe flannel	/L -87	1	M437
	928 521 003 55 PZ2	Black/black Anthracite			
	928 521 003 55 PZ3	Brown/brown Brown			
	928 521 003 55 PY8	Light grey/light grey Light grey			
	928 521 003 55 PZ5	Burgundy/burgundy Burgundy			
(1)	928 521 004 55	Comfort seat All-electric with seat heating Leatherette/leather Centre part in cloth Pin stripe flannel	/R -87	1	M438
	928 521 004 55 PZ2	Black/black Anthracite			
	928 521 004 55 PZ3	Brown/brown Brown			
	928 521 004 55 PY8	Light grey/light grey			

Model: STZ Model life 1985&gt;&gt;1998

Pos	Part Number	Description	Remark	Qty	Model
	928 521 004 55 PZ5	Light grey Burgundy/burgundy			
1	944 521 003 50	Burgundy Comfort seat All-electric Lumbar support Leatherette/leather Centre part in cloth Pin stripe flannel	/L -87	1	M437
	944 521 003 50 PZ2	Black/anthracite Anthracite			
	944 521 003 50 PZ3	Brown/brown Brown			
	944 521 003 50 PY8	Light grey/light grey Light grey			
	944 521 003 50 PZ5	Burgundy/burgundy Burgundy			
(1)	944 521 004 50	Comfort seat All-electric Lumbar support Leatherette/leather Centre part in cloth Pin stripe flannel	/R -87	1	M438
	944 521 004 50 PZ2	Black/anthracite Anthracite			
	944 521 004 50 PZ3	Brown/brown Brown			
	944 521 004 50 PY8	Light grey/light grey Light grey			
	944 521 004 50 PZ5	Burgundy/burgundy Burgundy			
1	944 521 003 55	Comfort seat All-electric Lumbar support with seat heating Leatherette/leather Centre part in cloth Pin stripe flannel	/L -87	1	M437
	944 521 003 55 PZ2	Black/anthracite Anthracite			
	944 521 003 55 PZ3	Brown/brown Brown			
	944 521 003 55 PY8	Light grey/light grey Light grey			
	944 521 003 55 PZ5	Burgundy/burgundy Burgundy			
(1)	944 521 004 55	Comfort seat All-electric Lumbar support with seat heating Leatherette/leather Centre part in cloth Pin stripe flannel	/R -87	1	M438
	944 521 004 55 PZ2	Black/anthracite Anthracite			
	944 521 004 55 PZ3	Brown/brown Brown			
	944 521 004 55 PY8	Light grey/light grey Light grey			
	944 521 004 55 PZ5	Burgundy/burgundy Burgundy			
1	928 521 001 62	Standard seat Manually adjustable	/L -87	1	

Model: STZ Model life 1985>>1998

Pos	Part Number	Description	Remark	Qty	Model
		Leatherette/leather Centre part Porsche lettering cloth			
	928 521 001 62 PZ7	Black/black Black			
	928 521 001 62 PZ8	Brown/brown Brown			
	928 521 001 62 PY7	Light grey/light grey Light grey			
	928 521 001 62 QA1	Burgundy/burgundy Burgundy			
(1)	928 521 002 62	Standard seat Manually adjustable Leatherette/leather Centre part Porsche lettering cloth	/R -87	1	
	928 521 002 62 PZ7	Black/black Black			
	928 521 002 62 PZ8	Brown/brown Brown			
	928 521 002 62 PY7	Light grey/light grey Light grey			
	928 521 002 62 QA1	Burgundy/burgundy Burgundy			
1	928 521 001 67	Front seat Elect. vertical adjustment Leatherette/leather Centre part Porsche lettering cloth	/L -87	1	M379
	928 521 001 67 PZ7	Black/black Black			
	928 521 001 67 PZ8	Brown/brown Brown			
	928 521 001 67 PY7	Light grey/light grey Light grey			
	928 521 001 67 QA1	Burgundy/burgundy Burgundy			
(1)	928 521 002 67	Front seat Elect. vertical adjustment Leatherette/leather Centre part Porsche lettering cloth	/R -87	1	M380
	928 521 002 67 PZ7	Black/black Black			
	928 521 002 67 PZ8	Brown/brown Brown			
	928 521 002 67 PY7	Light grey/light grey Light grey			
	928 521 002 67 QA1	Burgundy/burgundy Burgundy			
1	928 521 001 72	Front seat Elect. vertical adjustment with seat heating Leatherette/leather Centre part Porsche lettering cloth	/L -87	1	M379
	928 521 001 72 PZ7	Black/black Black			
	928 521 001 72 PZ8	Brown/brown Brown			
	928 521 001 72 PY7	Light grey/light grey Light grey			
	928 521 001 72 QA1	Burgundy/burgundy			

Model: STZ Model life 1985>>1998

Pos	Part Number	Description	Remark	Qty	Model
(1)	928 521 002 72	Burgundy Front seat Elect. vertical adjustment with seat heating Leatherette/leather Centre part Porsche lettering cloth	/R -87	1	M380
	928 521 002 72 PZ7	Black/black Black			
	928 521 002 72 PZ8	Brown/brown Brown			
	928 521 002 72 PY7	Light grey/light grey Light grey			
	928 521 002 72 QA1	Burgundy/burgundy Burgundy			
1	928 521 003 50	Comfort seat All-electric Leatherette/leather Centre part Porsche lettering cloth	/L -87	1	M437
	928 521 003 50 PZ7	Black/black Black			
	928 521 003 50 PZ8	Brown/brown Brown			
	928 521 003 50 PY7	Light grey/light grey Light grey			
	928 521 003 50 QA1	Burgundy/burgundy Burgundy			
(1)	928 521 004 50	Comfort seat All-electric Leatherette/leather Centre part Porsche lettering cloth	/R -87	1	M438
	928 521 004 50 PZ7	Black/black Black			
	928 521 004 50 PZ8	Brown/brown Brown			
	928 521 004 50 PY7	Light grey/light grey Light grey			
	928 521 004 50 QA1	Burgundy/burgundy Burgundy			
1	928 521 003 55	Comfort seat All-electric with seat heating Leatherette/leather Centre part Porsche lettering cloth	/L -87	1	M437
	928 521 003 55 PZ7	Black/black Black			
	928 521 003 55 PZ8	Brown/brown Brown			
	928 521 003 55 PY7	Light grey/light grey Light grey			
	928 521 003 55 QA1	Burgundy/burgundy Burgundy			
(1)	928 521 004 55	Comfort seat All-electric with seat heating Leatherette/leather Centre part Porsche lettering cloth	/R -87	1	M438
	928 521 004 55 PZ7	Black/black Black			

Model: STZ Model life 1985>>1998

Pos	Part Number	Description	Remark	Qty	Model
	928 521 004 55 PZ8	Brown/brown Brown			
	928 521 004 55 PY7	Light grey/light grey Light grey			
	928 521 004 55 QA1	Burgundy/burgundy Burgundy			
1	944 521 003 50	Comfort seat All-electric Lumbar support Leatherette/leather Centre part Porsche lettering cloth	/L -87	1	M437
	944 521 003 50 PZ7	Black/black Black			
	944 521 003 50 PZ8	Brown/brown Brown			
	944 521 003 50 PY7	Light grey/light grey Light grey			
	944 521 003 50 QA1	Burgundy/burgundy Burgundy			
(1)	944 521 004 50	Comfort seat All-electric Lumbar support Leatherette/leather Centre part Porsche lettering cloth	/R -87	1	M438
	944 521 004 50 PZ7	Black/black Black			
	944 521 004 50 PZ8	Brown/brown Brown			
	944 521 004 50 PY7	Light grey/light grey Light grey			
	944 521 004 50 QA1	Burgundy/burgundy Burgundy			
1	944 521 003 55	Comfort seat All-electric Lumbar support with seat heating Leatherette/leather Centre part Porsche lettering cloth	/L -87	1	M437
	944 521 003 55 PZ7	Black/black Black			
	944 521 003 55 PZ8	Brown/brown Brown			
	944 521 003 55 PY7	Light grey/light grey Light grey			
	944 521 003 55 QA1	Burgundy/burgundy Burgundy			
(1)	944 521 004 55	Comfort seat All-electric Lumbar support with seat heating Leatherette/leather Centre part Porsche lettering cloth	/R -87	1	M438
	944 521 004 55 PZ7	Black/black Black			
	944 521 004 55 PZ8	Brown/brown Brown			
	944 521 004 55 PY7	Light grey/light grey Light grey			
	944 521 004 55 QA1	Burgundy/burgundy			

Model: STZ Model life 1985>>1998

Pos	Part Number	Description	Remark	Qty	Model
2	928 521 001 11	Burgundy Standard seat Manually adjustable Leatherette/ Seat and backrest surface Pin stripe velour	/RL /L	1	
	928 521 001 11 NY5	Black/ Black-white			
	928 521 001 11 NY7	Brown/ Brown-beige			
	928 521 001 11 RC8	Light grey Light grey-white	86-		
	928 521 001 11 NY8	Burgundy/ Burgundy-white			
(2)	928 521 002 11	Standard seat Manually adjustable Leatherette/ Seat and backrest surface Pin stripe velour	/LL /R	1	
	928 521 002 11 NY5	Black/ Black-white			
	928 521 002 11 NY7	Brown/ Brown-beige			
	928 521 002 11 RC8	Light grey Light grey-white	86-		
	928 521 002 11 NY8	Burgundy/ Burgundy-white			
2	928 521 001 13	Front seat Elect. vertical adjustment Leatherette/ Seat and backrest surface Pin stripe velour	/LL /L	1	M379
	928 521 001 13 NY5	Black/ Black-white			
	928 521 001 13 NY7	Brown/ Brown-beige			
	928 521 001 13 RC8	Light grey Light grey-white	86-		
	928 521 001 13 NY8	Burgundy/ Burgundy-white			
(2)	928 521 002 13	Front seat Elect. vertical adjustment Leatherette/ Seat and backrest surface Pin stripe velour	/RL /R	1	M380
	928 521 002 13 NY5	Black/ Black-white			
	928 521 002 13 NY7	Brown/ Brown-beige			
	928 521 002 13 RC8	Light grey Light grey-white	86-		
	928 521 002 13 NY8	Burgundy/ Burgundy-white			
2	928 521 001 15	Front seat Elect. vertical adjustment with seat heating Leatherette/ Seat and backrest surface Pin stripe velour	/LL /L	1	M379
	928 521 001 15 NY5	Black/ Black-white			
	928 521 001 15 NY7	Brown/ Brown-beige			

Model: STZ Model life 1985&gt;&gt;1998

Pos	Part Number	Description	Remark	Qty	Model
	928 521 001 15 RC8	Light grey Light grey-white	86-		
	928 521 001 15 NY8	Burgundy/ Burgundy-white			
(2)	928 521 002 15	Front seat Elect. vertical adjustment with seat heating Leatherette/ Seat and backrest surface Pin stripe velour	/RL /R	1	M380
	928 521 002 15 NY5	Black/ Black-white			
	928 521 002 15 NY7	Brown/ Brown-beige			
	928 521 002 15 RC8	Light grey Light grey-white	86-		
	928 521 002 15 NY8	Burgundy/ Burgundy-white			
2	928 521 003 01	Comfort seat All-electric Leatherette/ Seat and backrest surface Pin stripe velour	/L	1	M437
	928 521 003 01 NY5	Black/ Black-white			
	928 521 003 01 NY7	Brown/ Brown-beige			
	928 521 003 01 RC8	Light grey Light grey-white	86-		
	928 521 003 01 NY8	Burgundy/ Burgundy-white			
(2)	928 521 004 01	Comfort seat All-electric Leatherette/ Seat and backrest surface Pin stripe velour	/R	1	M438
	928 521 004 01 NY5	Black/ Black-white			
	928 521 004 01 NY7	Brown/ Brown-beige			
	928 521 004 01 RC8	Light grey Light grey-white	86-		
	928 521 004 01 NY8	Burgundy/ Burgundy-white			
2	928 521 003 03	Comfort seat All-electric with seat heating Leatherette/ Seat and backrest surface Pin stripe velour	/L	1	M437
	928 521 003 03 NY5	Black/ Black-white			
	928 521 003 03 NY7	Brown/ Brown-beige			
	928 521 003 03 RC8	Light grey Light grey-white	86-		
	928 521 003 03 NY8	Burgundy/ Burgundy-white			
(2)	928 521 004 03	Comfort seat All-electric with seat heating Leatherette/ Seat and backrest surface	/R	1	M438



Model: STZ Model life 1985>>1998

Pos	Part Number	Description	Remark	Qty	Model
	928 521 004 03 NY5	Pin stripe velour Black/ Black-white			
	928 521 004 03 NY7	Brown/ Brown-beige			
	928 521 004 03 RC8	Light grey Light grey-white	86-		
	928 521 004 03 NY8	Burgundy/ Burgundy-white			
2	944 521 003 01	Comfort seat All-electric Lumbar support Leatherette/ Seat and backrest surface Pin stripe velour	/L	1	M437
	944 521 003 01 NY5	Black/ Black-white			
	944 521 003 01 NY7	Brown/ Brown-beige			
	944 521 003 01 RC8	Light grey/light grey Light grey-white	86-		
	944 521 003 01 NY8	Burgundy Burgundy-white			
(2)	944 521 004 01	Comfort seat All-electric Lumbar support Leatherette/ Seat and backrest surface Pin stripe velour	/R	1	M438
	944 521 004 01 NY5	Black/ Black-white			
	944 521 004 01 NY7	Brown/ Brown-beige			
	944 521 004 01 RC8	Light grey/light grey Light grey-white	86-		
	944 521 004 01 NY8	Burgundy Burgundy-white			
2	944 521 003 03	Comfort seat All-electric Lumbar support with seat heating Leatherette/ Seat and backrest surface Pin stripe velour	/L	1	M437
	944 521 003 03 NY5	Black/ Black-white			
	944 521 003 03 NY7	Brown/ Brown-beige			
	944 521 003 03 RC8	Light grey/light grey Light grey-white	86-		
	944 521 003 03 NY8	Burgundy Burgundy-white			
(2)	944 521 004 03	Comfort seat All-electric Lumbar support with seat heating Leatherette/ Seat and backrest surface Pin stripe velour	/R	1	M438
	944 521 004 03 NY5	Black/ Black-white			
	944 521 004 03 NY7	Brown/ Brown-beige			

Model: STZ Model life 1985>>1998

Pos	Part Number	Description	Remark	Qty	Model
	944 521 004 03 RC8	Light grey/light grey	86-		
	944 521 004 03 NY8	Light grey-white			
2	928 521 001 11	Burgundy Burgundy-white Standard seat Manually adjustable Leatherette/ Seat and backrest surface Pin stripe flannel	/RL /L	1	
	928 521 001 11 NY9	Black/anthracite			
	928 521 001 11 NZ6	Brown/brown			
	928 521 001 11 NZ4	Light grey/light grey			
	928 521 001 11 NZ5	Burgundy/burgundy			
(2)	928 521 002 11	Standard seat Manually adjustable Leatherette/ Seat and backrest surface Pin stripe flannel	/LL /R	1	
	928 521 002 11 NY9	Black/anthracite			
	928 521 002 11 NZ6	Brown/brown			
	928 521 002 11 NZ4	Light grey/light grey			
	928 521 002 11 NZ5	Burgundy/burgundy			
2	928 521 001 13	Front seat Elect. vertical adjustment Leatherette/ Seat and backrest surface Pin stripe flannel	/LL /L	1	M379
	928 521 001 13 NY9	Black/anthracite			
	928 521 001 13 NZ6	Brown/brown			
	928 521 001 13 NZ4	Light grey/light grey			
	928 521 001 13 NZ5	Burgundy/burgundy			
(2)	928 521 002 13	Front seat Elect. vertical adjustment Leatherette/ Seat and backrest surface Pin stripe flannel	/RL /R	1	M380
	928 521 002 13 NY9	Black/anthracite			
	928 521 002 13 NZ6	Brown/brown			
	928 521 002 13 NZ4	Light grey/light grey			
	928 521 002 13 NZ5	Burgundy/burgundy			
2	928 521 001 15	Front seat Elect. vertical adjustment with seat heating Leatherette/ Seat and backrest surface Pin stripe flannel	/LL /L	1	M379
	928 521 001 15 NY9	Black/anthracite			
	928 521 001 15 NZ6	Brown/brown			
	928 521 001 15 NZ4	Light grey/light grey			
	928 521 001 15 NZ5	Burgundy/burgundy			
(2)	928 521 002 15	Front seat Elect. vertical adjustment with seat heating Leatherette/ Seat and backrest surface Pin stripe flannel	/RL /R	1	M380
	928 521 002 15 NY9	Black/anthracite			
	928 521 002 15 NZ6	Brown/brown			
	928 521 002 15 NZ4	Light grey/light grey			
	928 521 002 15 NZ5	Burgundy/burgundy			
2	928 521 003 01	Comfort seat All-electric Leatherette/	/L	1	M437

Model: STZ Model life 1985>>1998

Pos	Part Number	Description	Remark	Qty	Model
		Seat and backrest surface Pin stripe flannel			
	928 521 003 01 NY9	Black/anthracite			
	928 521 003 01 NZ6	Brown/brown			
	928 521 003 01 NZ4	Light grey/light grey			
	928 521 003 01 NZ5	Burgundy/burgundy			
(2)	928 521 004 01	Comfort seat All-electric Leatherette/ Seat and backrest surface Pin stripe flannel	/R	1	M438
	928 521 004 01 NY9	Black/anthracite			
	928 521 004 01 NZ6	Brown/brown			
	928 521 004 01 NZ4	Light grey/light grey			
	928 521 004 01 NZ5	Burgundy/burgundy			
2	928 521 003 03	Comfort seat All-electric with seat heating Leatherette/ Seat and backrest surface Pin stripe flannel	/L	1	M437
	928 521 003 03 NY9	Black/anthracite			
	928 521 003 03 NZ6	Brown/brown			
	928 521 003 03 NZ4	Light grey/light grey			
	928 521 003 03 NZ5	Burgundy/burgundy			
(2)	928 521 004 03	Comfort seat All-electric with seat heating Leatherette/ Seat and backrest surface Pin stripe flannel	/R	1	M438
	928 521 004 03 NY9	Black/anthracite			
	928 521 004 03 NZ6	Brown/brown			
	928 521 004 03 NZ4	Light grey/light grey			
	928 521 004 03 NZ5	Burgundy/burgundy			
2	944 521 003 01	Comfort seat All-electric Lumbar support Leatherette/ Seat and backrest surface Pin stripe flannel	/L	1	M437
	944 521 003 01 NY9	Black/anthracite			
	944 521 003 01 NZ6	Brown/brown			
	944 521 003 01 NZ4	Light grey/light grey			
	944 521 003 01 NZ5	Burgundy/burgundy			
(2)	944 521 004 01	Comfort seat All-electric Lumbar support Leatherette/ Seat and backrest surface Pin stripe flannel	/R	1	M438
	944 521 004 01 NY9	Black/anthracite			
	944 521 004 01 NZ6	Brown/brown			
	944 521 004 01 NZ4	Light grey/light grey			
	944 521 004 01 NZ5	Burgundy/burgundy			
2	944 521 003 03	Comfort seat All-electric Lumbar support with seat heating Leatherette/ Seat and backrest surface Pin stripe flannel	/L	1	M437
	944 521 003 03 NY9	Black/anthracite			

Model: STZ Model life 1985>>1998

Pos	Part Number	Description	Remark	Qty	Model
(2)	944 521 003 03 NZ6	Brown/brown			
	944 521 003 03 NZ4	Light grey/light grey			
	944 521 003 03 NZ5	Burgundy/burgundy			
	944 521 004 03	Comfort seat All-electric Lumbar support with seat heating Leatherette/ Seat and backrest surface Pin stripe flannel	/R	1	M438
	944 521 004 03 NY9	Black/anthracite			
2	944 521 004 03 NZ6	Brown/brown			
	944 521 004 03 NZ4	Light grey/light grey			
	944 521 004 03 NZ5	Burgundy/burgundy			
	928 521 001 11	Standard seat Manually adjustable Leatherette/ Seat and backrest surface Porsche lettering cloth	/RL /L	1	
	928 521 001 11 PX2	Black/black			
(2)	928 521 001 11 PX4	Brown/brown			
	928 521 001 11 NZ3	Light grey/light grey			
	928 521 001 11 PX6	Burgundy/burgundy			
	928 521 002 11	Standard seat Manually adjustable Leatherette/ Seat and backrest surface Porsche lettering cloth	/LL /R	1	
	928 521 002 11 PX2	Black/black			
2	928 521 002 11 PX4	Brown/brown			
	928 521 002 11 NZ3	Light grey/light grey			
	928 521 002 11 PX6	Burgundy/burgundy			
	928 521 001 13	Front seat Elect. vertical adjustment Leatherette/ Seat and backrest surface Porsche lettering cloth	/LL /L	1	M379
	928 521 001 13 PX2	Black/black			
(2)	928 521 001 13 PX4	Brown/brown			
	928 521 001 13 NZ3	Light grey/light grey			
	928 521 001 13 PX6	Burgundy/burgundy			
	928 521 002 13	Front seat Elect. vertical adjustment Leatherette/ Seat and backrest surface Porsche lettering cloth	/RL /R	1	M380
	928 521 002 13 PX2	Black/black			
2	928 521 002 13 PX4	Brown/brown			
	928 521 002 13 NZ3	Light grey/light grey			
	928 521 002 13 PX6	Burgundy/burgundy			
	928 521 001 15	Front seat Elect. vertical adjustment with seat heating Leatherette/ Seat and backrest surface Porsche lettering cloth	/LL /L	1	M379
	928 521 001 15 PX2	Black/black			
(2)	928 521 001 15 PX4	Brown/brown			
	928 521 001 15 NZ3	Light grey/light grey			
	928 521 001 15 PX6	Burgundy/burgundy			
	928 521 002 15	Front seat Elect. vertical adjustment with seat heating	/RL /R	1	M380
	928 521 001 15 PX2	Black/black			

Model: STZ Model life 1985>>1998

Pos	Part Number	Description	Remark	Qty	Model
		Leatherette/ Seat and backrest surface Porsche lettering cloth			
	928 521 002 15 PX2	Black/black			
	928 521 002 15 PX4	Brown/brown			
	928 521 002 15 NZ3	Light grey/light grey			
	928 521 002 15 PX6	Burgundy/burgundy			
2	928 521 003 01	Comfort seat All-electric Leatherette/ Seat and backrest surface Porsche lettering cloth	/L	1	M437
	928 521 003 01 PX2	Black/black			
	928 521 003 01 PX4	Brown/brown			
	928 521 003 01 NZ3	Light grey/light grey			
	928 521 003 01 PX6	Burgundy/burgundy			
(2)	928 521 004 01	Comfort seat All-electric Leatherette/ Seat and backrest surface Porsche lettering cloth	/R	1	M438
	928 521 004 01 PX2	Black/black			
	928 521 004 01 PX4	Brown/brown			
	928 521 004 01 NZ3	Light grey/light grey			
	928 521 004 01 PX6	Burgundy/burgundy			
2	928 521 003 03	Comfort seat All-electric with seat heating Leatherette/ Seat and backrest surface Porsche lettering cloth	/L	1	M437
	928 521 003 03 PX2	Black/black			
	928 521 003 03 PX4	Brown/brown			
	928 521 003 03 NZ3	Light grey/light grey			
	928 521 003 03 PX6	Burgundy/burgundy			
(2)	928 521 004 03	Comfort seat All-electric with seat heating Leatherette/ Seat and backrest surface Porsche lettering cloth	/R	1	M438
	928 521 004 03 PX2	Black/black			
	928 521 004 03 PX4	Brown/brown			
	928 521 004 03 NZ3	Light grey/light grey			
	928 521 004 03 PX6	Burgundy/burgundy			
2	944 521 003 01	Comfort seat All-electric Lumbar support Leatherette/ Seat and backrest surface Porsche lettering cloth	/L	1	M437
	944 521 003 01 PX2	Black/black			
	944 521 003 01 PX4	Brown/brown			
	944 521 003 01 NZ3	Light grey/light grey			
	944 521 003 01 PX6	Burgundy/burgundy			
(2)	944 521 004 01	Comfort seat All-electric Lumbar support Leatherette/ Seat and backrest surface Porsche lettering cloth	/R	1	M438
	944 521 004 01 PX2	Black/black			
	944 521 004 01 PX4	Brown/brown			

Model: STZ Model life 1985>>1998

Pos	Part Number	Description	Remark	Qty	Model
2	944 521 004 01 NZ3	Light grey/light grey	/L	1	M437
	944 521 004 01 PX6	Burgundy/burgundy			
	944 521 003 03	Comfort seat All-electric Lumbar support with seat heating Leatherette/ Seat and backrest surface Porsche lettering cloth			
	944 521 003 03 PX2	Black/black			
	944 521 003 03 PX4	Brown/brown			
	944 521 003 03 NZ3	Light grey/light grey			
(2)	944 521 003 03 PX6	Burgundy/burgundy	/R	1	M438
	944 521 004 03	Comfort seat All-electric Lumbar support with seat heating Leatherette/ Seat and backrest surface Porsche lettering cloth			
	944 521 004 03 PX2	Black/black			
	944 521 004 03 PX4	Brown/brown			
	944 521 004 03 NZ3	Light grey/light grey			
	944 521 004 03 PX6	Burgundy/burgundy			
2	928 521 003 01	Comfort seat All-electric Leatherette/ Seat and backrest surface Multicolour	/L 88	1	M758
	928 521 003 01 XF1	Burgundy/ Burgundy	/R 88	1	M758
(2)	928 521 004 01	Comfort seat All-electric Leatherette/ Seat and backrest surface Multicolour			
2	928 521 004 01 XF1	Burgundy/ Burgundy	/L 88	1	M758
	(2)	928 521 003 03			
(2)	928 521 003 03 XF1	Burgundy/ Burgundy	/R 88	1	M758
	(2)	928 521 004 03			
2	928 521 004 03 XF1	Burgundy/ Burgundy	/L 88	1	M757
	(2)	928 521 001 11			
(2)	928 521 001 11 US8	Black/ Grey	/R 88	1	M757
	(2)	928 521 002 11			

Model: STZ Model life 1985>>1998

Pos	Part Number	Description	Remark	Qty	Model
		Leatherette/ Seat and backrest surface Multicolour			
	928 521 002 11 US8	Black/ Grey			
2	928 521 001 13	Front seat Elect. vertical adjustment Leatherette/ Seat and backrest surface Multicolour	/L 88	1	M757
	928 521 001 13 US8	Black/ Grey			
(2)	928 521 002 13	Front seat Elect. vertical adjustment Leatherette/ Seat and backrest surface Multicolour	/R 88	1	M757
	928 521 002 13 US8	Black/ Grey			
3	928 521 001 63	Front seat Manually adjustable Leatherette/ Seat and backrest surface Leather	/RL /L	1	
	928 521 001 63 JN3	Black			
	928 521 001 63 JN4	Cadbury brown			
	928 521 001 63 NZ7	Light grey			
	928 521 001 63 NZ8	Burgundy			
(3)	928 521 002 63	Front seat Manually adjustable Leatherette/ Seat and backrest surface Leather	/LL /R	1	
	928 521 002 63 JN3	Black/black			
	928 521 002 63 JN4	Cadbury brown			
	928 521 002 63 NZ7	Light grey			
	928 521 002 63 NZ8	Burgundy			
3	928 521 001 68	Front seat Elect. vertical adjustment Leatherette/ Seat and backrest surface Leather	/LL /L	1	M379
	928 521 001 68 JN3	Black/black			
	928 521 001 68 JN4	Brown/brown			
	928 521 001 68 NZ7	Light grey/light grey			
	928 521 001 68 NZ8	Burgundy/burgundy			
(3)	928 521 002 68	Front seat Elect. vertical adjustment Leatherette/ Seat and backrest surface Leather	/RL /R	1	M380
	928 521 002 68 JN3	Black/black			
	928 521 002 68 JN4	Brown/brown			
	928 521 002 68 NZ7	Light grey/light grey			
	928 521 002 68 NZ8	Burgundy/burgundy			
3	928 521 001 73	Front seat Elect. vertical adjustment with seat heating Leatherette/ Seat and backrest surface Leather	/LL /L	1	M379
	928 521 001 73 JN3	Black/black			
	928 521 001 73 JN4	Brown/brown			

Model: STZ Model life 1985>>1998

Pos	Part Number	Description	Remark	Qty	Model
(3)	928 521 001 73 NZ7	Light grey/light grey	/RL /R	1	M380
	928 521 001 73 NZ8	Burgundy/burgundy			
	928 521 002 73	Front seat Elect. vertical adjustment with seat heating Leatherette/ Seat and backrest surface Leather			
	928 521 002 73 JN3	Black/black			
3	928 521 002 73 JN4	Brown/brown	/L	1	M437
	928 521 002 73 NZ7	Light grey/light grey			
	928 521 002 73 NZ8	Burgundy/burgundy			
	928 521 003 51	Comfort seat All-electric Leatherette/ Seat and backrest surface Leather			
(3)	928 521 003 51 JN3	Black/black	/R	1	M438
	928 521 003 51 JN4	Cadbury brown			
	928 521 003 51 NZ7	Light grey			
	928 521 003 51 NZ8	Burgundy/burgundy			
3	928 521 004 51	Comfort seat All-electric Leatherette/ Seat and backrest surface Leather	/L	1	M437
	928 521 004 51 JN3	Black/black			
	928 521 004 51 JN4	Cadbury brown			
	928 521 004 51 NZ7	Light grey			
(3)	928 521 004 51 NZ8	Burgundy/burgundy	/R	1	M438
	944 521 003 51	Comfort seat All-electric Lumbar support Leatherette/ Seat and backrest surface Leather			
	944 521 003 51 JN3	Black			
	944 521 003 51 JN4	Brown			
3	944 521 003 51 NZ7	Light grey/light grey	/L	1	M437
	944 521 003 51 NZ8	Burgundy			
	944 521 004 51	Comfort seat All-electric Lumbar support Leatherette/ Seat and backrest surface Leather			
	944 521 004 51 JN3	Black			
(3)	944 521 004 51 JN4	Brown	/R	1	M438
	944 521 004 51 NZ7	Light grey/light grey			
	944 521 004 51 NZ8	Burgundy			
	928 521 003 56	Comfort seat All-electric with seat heating Leatherette/ Seat and backrest surface Leather			
(3)	928 521 003 56 JN3	Black/black	/L	1	M437
	928 521 003 56 JN4	Brown/brown			
	928 521 003 56 NZ7	Light grey/light grey			
	928 521 003 56 NZ8	Burgundy/burgundy			
(3)	928 521 004 56	Comfort seat All-electric with seat heating	/R	1	M438
	928 521 003 56 JN3	Black/black			
	928 521 003 56 JN4	Brown/brown			
	928 521 003 56 NZ7	Light grey/light grey			
(3)	928 521 003 56 NZ8	Burgundy/burgundy	/R	1	M438
	928 521 004 56	Comfort seat All-electric with seat heating			



Model: STZ Model life 1985>>1998

Pos	Part Number	Description	Remark	Qty	Model
		Leatherette/ Seat and backrest surface Leather			
	928 521 004 56 JN3	Black/black			
	928 521 004 56 JN4	Brown/brown			
	928 521 004 56 NZ7	Light grey/light grey			
	928 521 004 56 NZ8	Burgundy/burgundy			
3	944 521 003 56	Comfort seat All-electric Lumbar support with seat heating Leatherette/ Seat and backrest surface Leather	/L	1	M437
	944 521 003 56 JN3	Black			
	944 521 003 56 JN4	Brown			
	944 521 003 56 NZ7	Light grey/light grey			
	944 521 003 56 NZ8	Burgundy			
(3)	944 521 004 56	Comfort seat All-electric Lumbar support with seat heating Leatherette/ Seat and backrest surface Leather	/R	1	M438
	944 521 004 56 JN3	Black			
	944 521 004 56 JN4	Brown			
	944 521 004 56 NZ7	Light grey/light grey			
	944 521 004 56 NZ8	Burgundy			
3	928 521 001 64	Front seat Manually adjustable Whole-leather	/RL /L	1	
	928 521 001 64 KZ2	Black			
	928 521 001 64 KZ5	Cadbury brown			
	928 521 001 64 NZ9	Light grey			
	928 521 001 64 LG7	Burgundy			
	928 521 001 64 KZ6	Can-can-red			
	928 521 001 64 LG4	Pearl white			
	928 521 001 64 LG5	Champagne			
	928 521 001 64 PZ1	Wild buffalo	-87		
(3)	928 521 002 64	Front seat Manually adjustable Whole-leather	/LL /R	1	
	928 521 002 64 KZ2	Black			
	928 521 002 64 KZ5	Cadbury brown			
	928 521 002 64 NZ9	Light grey			
	928 521 002 64 LG7	Burgundy			
	928 521 002 64 KZ6	Can-can-red			
	928 521 002 64 LG4	Pearl white			
	928 521 002 64 LG5	Champagne			
	928 521 002 64 PZ1	Wild buffalo	-87		
3	928 521 001 69	Front seat Elect. vertical adjustment Whole-leather	/LL /L	1	M379
	928 521 001 69 KZ2	Black			
	928 521 001 69 KZ5	Brown			
	928 521 001 69 NZ9	Light grey			
	928 521 001 69 LG7	Burgundy			
	928 521 001 69 KZ6	Can-can-red			
	928 521 001 69 LG4	Pearl white			
	928 521 001 69 LG5	Champagne			
	928 521 001 69 PZ1	Wild buffalo	-87		
(3)	928 521 002 69	Front seat	/RL /R	1	M380

Model: STZ Model life 1985>>1998

Pos	Part Number	Description	Remark	Qty	Model
		Elect. vertical adjustment			
		Whole-leather			
	928 521 002 69 KZ2	Black			
	928 521 002 69 KZ5	Brown			
	928 521 002 69 NZ9	Light grey			
	928 521 002 69 LG7	Burgundy			
	928 521 002 69 KZ6	Can-can-red			
	928 521 002 69 LG4	Pearl white			
	928 521 002 69 LG5	Champagne			
	928 521 002 69 PZ1	Wild buffalo	-87		
3	928 521 001 74	Front seat	/LL /L	1	M379
		Elect. vertical adjustment			
		with seat heating			
		Whole-leather			
	928 521 001 74 KZ2	Black			
	928 521 001 74 KZ5	Brown			
	928 521 001 74 NZ9	Light grey			
	928 521 001 74 LG7	Burgundy			
	928 521 001 74 KZ6	Can-can-red			
	928 521 001 74 LG4	Pearl white			
	928 521 001 74 LG5	Champagne			
	928 521 001 74 PZ1	Wild buffalo	-87		
(3)	928 521 002 74	Front seat	/RL /R	1	M380
		Elect. vertical adjustment			
		with seat heating			
		Whole-leather			
	928 521 002 74 KZ2	Black			
	928 521 002 74 KZ5	Brown			
	928 521 002 74 NZ9	Light grey			
	928 521 002 74 LG7	Burgundy			
	928 521 002 74 KZ6	Can-can-red			
	928 521 002 74 LG4	Pearl white			
	928 521 002 74 LG5	Champagne			
	928 521 002 74 PZ1	Wild buffalo	-87		
3	928 521 003 52	Comfort seat	/L	1	M437
		All-electric			
		Whole-leather			
	928 521 003 52 KZ2	Black			
	928 521 003 52 KZ5	Cadbury brown			
	928 521 003 52 NZ9	Light grey			
	928 521 003 52 LG7	Burgundy			
	928 521 003 52 KZ6	Can-can-red			
	928 521 003 52 LG4	Pearl white			
	928 521 003 52 LG5	Champagne			
	928 521 003 52 PZ1	Wild buffalo	-87		
(3)	928 521 004 52	Comfort seat	/R	1	M438
		All-electric			
		Whole-leather			
	928 521 004 52 KZ2	Black			
	928 521 004 52 KZ5	Cadbury brown			
	928 521 004 52 NZ9	Light grey			
	928 521 004 52 LG7	Burgundy			
	928 521 004 52 KZ6	Can-can-red			
	928 521 004 52 LG4	Pearl white			
	928 521 004 52 LG5	Champagne			
	928 521 004 52 PZ1	Wild buffalo	-87		
3	928 521 003 57	Comfort seat	/L	1	M437
		All-electric			
		with seat heating			
		Whole-leather			
	928 521 003 57 KZ2	Black			
	928 521 003 57 KZ5	Brown			
	928 521 003 57 NZ9	Light grey			

Model: STZ Model life 1985>>1998

Pos	Part Number	Description	Remark	Qty	Model
	928 521 003 57 LG7	Burgundy			
	928 521 003 57 KZ6	Can-can-red			
	928 521 003 57 LG4	Pearl white			
	928 521 003 57 LG5	Champagne			
	928 521 003 57 PZ1	Wild buffalo	-87		
(3)	928 521 004 57	Comfort seat All-electric with seat heating Whole-leather	/R	1	M438
	928 521 004 57 KZ2	Black			
	928 521 004 57 KZ5	Brown			
	928 521 004 57 NZ9	Light grey			
	928 521 004 57 LG7	Burgundy			
	928 521 004 57 KZ6	Can-can-red			
	928 521 004 57 LG4	Pearl white			
	928 521 004 57 LG5	Champagne			
	928 521 004 57 PZ1	Wild buffalo	-87		
3	944 521 003 52	Comfort seat All-electric Lumbar support Whole-leather	/L	1	M437
	944 521 003 52 KZ2	Black			
	944 521 003 52 KZ5	Brown			
	944 521 003 52 NZ9	Light grey			
	944 521 003 52 LG7	Burgundy			
	944 521 003 52 KZ6	Can-can-red			
	944 521 003 52 LG4	Pearl white			
	944 521 003 52 LG5	Champagne			
	944 521 003 52 PZ1	Wild buffalo	-87		
(3)	944 521 004 52	Comfort seat All-electric Lumbar support Whole-leather	/R	1	M438
	944 521 004 52 KZ2	Black			
	944 521 004 52 KZ5	Brown			
	944 521 004 52 NZ9	Light grey			
	944 521 004 52 LG7	Burgundy			
	944 521 004 52 KZ6	Can-can-red			
	944 521 004 52 LG4	Pearl white			
	944 521 004 52 LG5	Champagne			
	944 521 004 52 PZ1	Wild buffalo	-87		
3	944 521 003 57	Comfort seat All-electric Lumbar support with seat heating Whole-leather	/L	1	M437
	944 521 003 57 KZ2	Black			
	944 521 003 57 KZ5	Brown			
	944 521 003 57 NZ9	Light grey			
	944 521 003 57 LG7	Burgundy			
	944 521 003 57 KZ6	Can-can-red			
	944 521 003 57 LG4	Pearl white			
	944 521 003 57 LG5	Champagne			
	944 521 003 57 PZ1	Wild buffalo	-87		
(3)	944 521 004 57	Comfort seat All-electric Lumbar support with seat heating Whole-leather	/R	1	M438
	944 521 004 57 KZ2	Black			
	944 521 004 57 KZ5	Brown			
	944 521 004 57 NZ9	Light grey			
	944 521 004 57 LG7	Burgundy			

Model: STZ Model life 1985>>1998

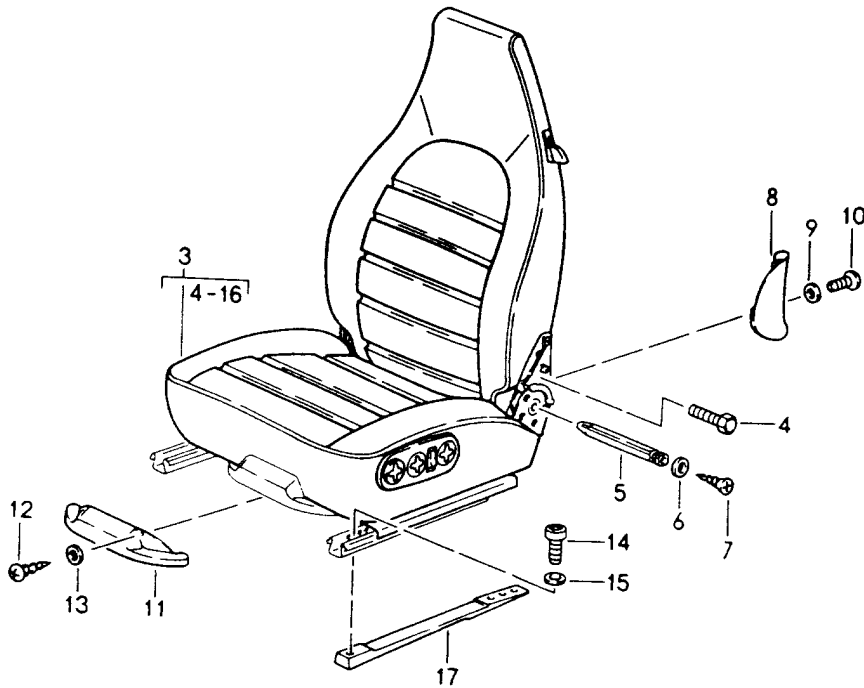
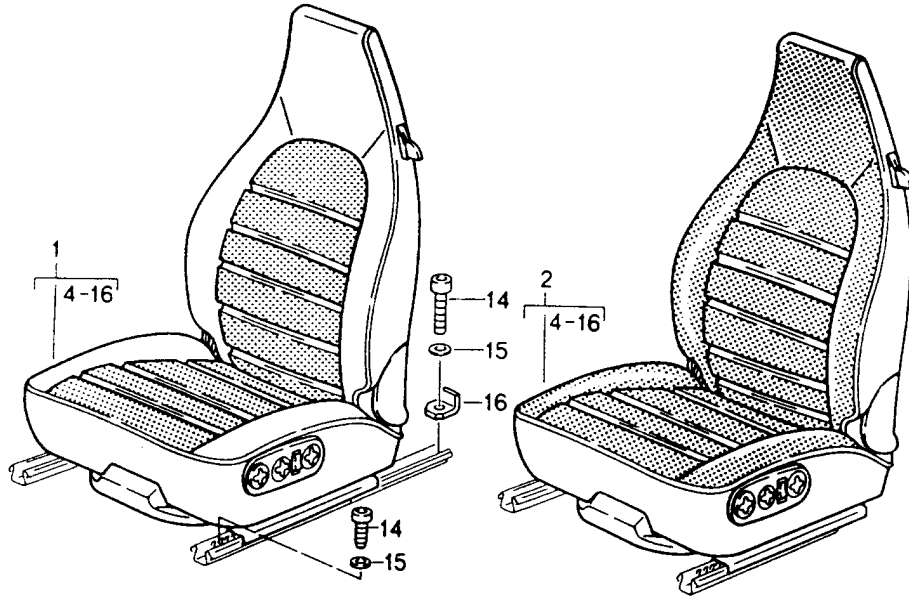
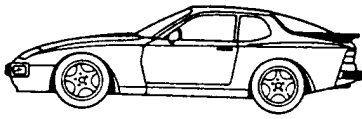
Pos	Part Number	Description	Remark	Qty	Model
	944 521 004 57 KZ6	Can-can-red			
	944 521 004 57 LG4	Pearl white			
	944 521 004 57 LG5	Champagne			
	944 521 004 57 PZ1	Wild buffalo	-87		
4	911 521 547 00	Screw M 10 X 20		8	
5	928 521 717 02	Square rod for backrest adjustment		4	
6	928 521 716 02	Lock washer for backrest adjustment		4	
6	928 521 716 03	Lock washer for backrest adjustment		4	
7	900 249 004 02	Countersunk-head screw M 4 X 8 for backrest adjustment		4	
8	928 521 147 02	Cover		2	
	928 521 147 02 01C	Black			
	928 521 147 02 4RB	Brown			
	928 521 147 02 9MM	Burgundy			
	928 521 147 02 8CJ	Light grey	85		
	928 521 147 02 2DJ	Light grey	86-		
(8)	928 521 148 02	Cover		2	
	928 521 148 02 01C	Black			
	928 521 148 02 4RB	Brown			
	928 521 148 02 9MM	Burgundy			
	928 521 148 02 8CJ	Light grey	85		
	928 521 148 02 2DJ	Light grey	86-		
9	900 025 044 07	Washer A 4,3		8	
10	900 143 113 07	Oval-head screw B 4,2 X 13		8	
10	900 143 113 0G	Oval-head screw B 4,2 X 13		8	
11	928 521 760 02	Cover for Comfort seat	-86	2	
11	928 521 760 04	Cover for Comfort seat	87-	2	
	928 521 760 04 01C	Satin black			
(11)	928 521 760 03	Cover for Seat with Elect. vertical adjustment	-86	2	
(11)	928 521 760 05	Cover for Seat with Elect. vertical adjustment	87-	2	
	928 521 760 05 01C	Satin black			
12	N 013 959 3	Oval-head sheetmetal screw B 3,5 X 16		4	
12	900 143 016 02	Oval-head sheetmetal screw B 3,5 X 16		4	
13	900 025 013 07	Washer A 3,7		4	
14	900 119 030 02	Pan-head screw M 8 X 20		12	
15	900 089 006 02	Washer 8		16	
15	900 089 006 01	Washer 8		16	

**Model: STZ**                      **Model life 1985>>1998**

Pos	Part Number	Description	Remark	Qty	Model
16	944 555 527 00	Retaining bracket Seat rail Outer		2	
(16)	944 555 525 01	Retaining bracket Seat rail Inner Driver's side		1	
(16)	944 555 525 02	Retaining bracket Seat rail Inner Passenger's side		1	

Model: STZ

Model life 1985>>1998



Model: STZ Model life 1985>>1998

Pos	Part Number	Description	Remark	Qty	Model
		Front seat Complete All-electric Standard seat Complete Not available	89-91		944/S2 TURBO
1	964 521 003 46	Comfort seat Leatherette/ Centre part in cloth Pin stripe velour	/L	1	M437
	964 521 003 46 JN1	Black/ Black-white	-90		
	964 521 003 46 XJ8	Blue/ Blue-white	-90		
	964 521 003 46 XH1	Linen/ Linen white	-90		
	964 521 003 46 LT2	Burgundy/ Burgundy-white	-90		
(1)	964 521 004 46	Comfort seat Leatherette/ Centre part in cloth Pin stripe velour	/R	1	M438
	964 521 004 46 JN1	Black/ Black-white	-90		
	964 521 004 46 XJ8	Blue/ Blue-white	-90		
	964 521 004 46 XH1	Linen/ Linen white	-90		
	964 521 004 46 LT2	Burgundy/ Burgundy-white	-90		
1	964 521 003 47	Comfort seat with heating Leatherette/ Centre part in cloth Pin stripe velour	/L	1	M437
	964 521 003 47 JN1	Black/ Black-white	-90		
	964 521 003 47 XJ8	Blue/ Blue-white	-90		
	964 521 003 47 XH1	Linen/ Linen white	-90		
	964 521 003 47 LT2	Burgundy/ Burgundy-white	-90		
(1)	964 521 004 47	Comfort seat with heating Leatherette/ Centre part in cloth Pin stripe velour	/R	1	M438
	964 521 004 47 JN1	Black/ Black-white	-90		
	964 521 004 47 XJ8	Blue/ Blue-white	-90		
	964 521 004 47 XH1	Linen/ Linen white	-90		
	964 521 004 47 LT2	Burgundy/ Burgundy-white	-90		
1	964 521 003 48	Comfort seat with Lumbar support Leatherette/ Centre part in cloth Pin stripe velour	/L	1	M437
	964 521 003 48 JN1	Black/	-90		

Model: STZ Model life 1985>>1998

Pos	Part Number	Description	Remark	Qty	Model
	964 521 003 48 XJ8	Black-white Blue/ Blue-white	-90		
	964 521 003 48 XH1	Linen/ Linen white	-90		
	964 521 003 48 LT2	Burgundy/ Burgundy-white	-90		
(1)	964 521 004 48	Comfort seat with Lumbar support Leatherette/ Centre part in cloth Pin stripe velour	/R	1	M438
	964 521 004 48 JN1	Black/ Black-white	-90		
	964 521 004 48 XJ8	Blue/ Blue-white	-90		
	964 521 004 48 XH1	Linen/ Linen white	-90		
	964 521 004 48 LT2	Burgundy/ Burgundy-white	-90		
1	964 521 003 49	Comfort seat with heating And Lumbar support Leatherette/ Centre part in cloth Pin stripe velour	/L	1	M437
	964 521 003 49 JN1	Black/ Black-white	-90		
	964 521 003 49 XJ8	Blue/ Blue-white	-90		
	964 521 003 49 XH1	Linen/ Linen white	-90		
	964 521 003 49 LT2	Burgundy/ Burgundy-white	-90		
(1)	964 521 004 49	Comfort seat with heating And Lumbar support Leatherette/ Centre part in cloth Pin stripe velour	/R	1	M438
	964 521 004 49 JN1	Black/ Black-white	-90		
	964 521 004 49 XJ8	Blue/ Blue-white	-90		
	964 521 004 49 XH1	Linen/ Linen white	-90		
	964 521 004 49 LT2	Burgundy/ Burgundy-white	-90		
1	964 521 003 46	Comfort seat Leatherette/ Centre part in cloth Multicolour	/L	1	M437
	964 521 003 46 XJ1	Black/black	-90		
	964 521 003 46 XJ4	Marine blue/marine blue	-90		
	964 521 003 46 XH5	Linen/linen	-90		
	964 521 003 46 XJ6	Burgundy/burgundy	-90		
	964 521 003 46 ARC	Cobalt blue/cobalt blue	91		
	964 521 003 46 APC	Classic grey/classic grey	91		
(1)	964 521 004 46	Comfort seat Leatherette/	/R	1	M438



Model: STZ Model life 1985>>1998

Pos	Part Number	Description	Remark	Qty	Model
		Centre part in cloth Multicolour			
	964 521 004 46 XJ1	Black/black			
	964 521 004 46 XJ4	Marine blue/marine blue	-90		
	964 521 004 46 XH5	Linen/linen	-90		
	964 521 004 46 XJ6	Burgundy/burgundy	-90		
	964 521 004 46 ARC	Cobalt blue/cobalt blue	91		
	964 521 004 46 APC	Classic grey/classic grey	91		
1	964 521 003 47	Comfort seat with heating Leatherette/ Centre part in cloth Multicolour	/L	1	M437
	964 521 003 47 XJ1	Black/black			
	964 521 003 47 XJ4	Marine blue/marine blue	-90		
	964 521 003 47 XH5	Linen/linen	-90		
	964 521 003 47 XJ6	Burgundy/burgundy	-90		
	964 521 003 47 ARC	Cobalt blue/cobalt blue	91		
	964 521 003 47 APC	Classic grey/classic grey	91		
(1)	964 521 004 47	Comfort seat with heating Leatherette/ Centre part in cloth Multicolour	/R	1	M438
	964 521 004 47 XJ1	Black/black			
	964 521 004 47 XJ4	Marine blue/marine blue	-90		
	964 521 004 47 XH5	Linen/linen	-90		
	964 521 004 47 XJ6	Burgundy/burgundy	-90		
	964 521 004 47 ARC	Cobalt blue/cobalt blue	91		
	964 521 004 47 APC	Classic grey/classic grey	91		
1	964 521 003 48	Comfort seat with Lumbar support Leatherette/ Centre part in cloth Multicolour	/L	1	M437
	964 521 003 48 XJ1	Black/black			
	964 521 003 48 XJ4	Marine blue/marine blue	-90		
	964 521 003 48 XH5	Linen/linen	-90		
	964 521 003 48 XJ6	Burgundy/burgundy	-90		
	964 521 003 48 ARC	Cobalt blue/cobalt blue	91		
	964 521 003 48 APC	Classic grey/classic grey	91		
(1)	964 521 004 48	Comfort seat with Lumbar support Leatherette/ Centre part in cloth Multicolour	/R	1	M438
	964 521 004 48 XJ1	Black/black			
	964 521 004 48 XJ4	Marine blue/marine blue	-90		
	964 521 004 48 XH5	Linen/linen	-90		
	964 521 004 48 XJ6	Burgundy/burgundy	-90		
	964 521 004 48 ARC	Cobalt blue/cobalt blue	91		
	964 521 004 48 APC	Classic grey/classic grey	91		
1	964 521 003 49	Comfort seat with heating And Lumbar support Leatherette/ Centre part in cloth Multicolour	/L	1	M437
	964 521 003 49 XJ1	Black/black			
	964 521 003 49 XJ4	Marine blue/marine blue	-90		

Model: STZ Model life 1985>>1998

Pos	Part Number	Description	Remark	Qty	Model
	964 521 003 49 XH5	Linen/linen	-90		
	964 521 003 49 XJ6	Burgundy/burgundy	-90		
	964 521 003 49 ARC	Cobalt blue/cobalt blue	91		
	964 521 003 49 APC	Classic grey/classic grey	91		
(1)	964 521 004 49	Comfort seat with heating And Lumbar support Leatherette/ Centre part in cloth Multicolour	/R	1	M438
	964 521 004 49 XJ1	Black/black			
	964 521 004 49 XJ4	Marine blue/marine blue	-90		
	964 521 004 49 XH5	Linen/linen	-90		
	964 521 004 49 XJ6	Burgundy/burgundy	-90		
	964 521 004 49 ARC	Cobalt blue/cobalt blue	91		
	964 521 004 49 APC	Classic grey/classic grey	91		
1	964 521 003 46	Comfort seat Leatherette/ Centre part Porsche lettering cloth	/L	1	M437
	964 521 003 46 PX1	Black/black			
	964 521 003 46 XJ9	Marine blue/marine blue	-90		
	964 521 003 46 XH3	Linen/linen	-90		
	964 521 003 46 PX5	Burgundy/burgundy	-90		
	964 521 003 46 ARA	Cobalt blue/cobalt blue	91		
	964 521 003 46 APA	Classic grey/classic grey	91		
(1)	964 521 004 46	Comfort seat Leatherette/ Centre part Porsche lettering cloth	/R	1	M438
	964 521 004 46 PX1	Black/black			
	964 521 004 46 XJ9	Marine blue/marine blue	-90		
	964 521 004 46 XH3	Linen/linen	-90		
	964 521 004 46 PX5	Burgundy/burgundy	-90		
	964 521 004 46 ARA	Cobalt blue/cobalt blue	91		
	964 521 004 46 APA	Classic grey/classic grey	91		
1	964 521 003 47	Comfort seat with heating Leatherette/ Centre part Porsche lettering cloth	/L	1	M437
	964 521 003 47 PX1	Black/black			
	964 521 003 47 XJ9	Marine blue/marine blue	-90		
	964 521 003 47 XH3	Linen/linen	-90		
	964 521 003 47 PX5	Burgundy/burgundy	-90		
	964 521 003 47 ARA	Cobalt blue/cobalt blue	91		
	964 521 003 47 APA	Classic grey/classic grey	91		
(1)	964 521 004 47	Comfort seat with heating Leatherette/ Centre part Porsche lettering cloth	/R	1	M438
	964 521 004 47 PX1	Black/black			
	964 521 004 47 XJ9	Marine blue/marine blue	-90		
	964 521 004 47 XH3	Linen/linen	-90		
	964 521 004 47 PX5	Burgundy/burgundy	-90		
	964 521 004 47 ARA	Cobalt blue/cobalt blue	91		
	964 521 004 47 APA	Classic grey/classic grey	91		
1	964 521 003 48	Comfort seat with Lumbar support Leatherette/	/L	1	M437

Model: STZ Model life 1985>>1998

Pos	Part Number	Description	Remark	Qty	Model
		Centre part Porsche lettering cloth			
	964 521 003 48 PX1	Black/black			
	964 521 003 48 XJ9	Marine blue/marine blue	-90		
	964 521 003 48 XH3	Linen/linen	-90		
	964 521 003 48 PX5	Burgundy/burgundy	-90		
	964 521 003 48 ARA	Cobalt blue/cobalt blue	91		
	964 521 003 48 APA	Classic grey/classic grey	91		
(1)	964 521 004 48	Comfort seat with Lumbar support Leatherette/ Centre part Porsche lettering cloth	/R	1	M438
	964 521 004 48 PX1	Black/black			
	964 521 004 48 XJ9	Marine blue/marine blue	-90		
	964 521 004 48 XH3	Linen/linen	-90		
	964 521 004 48 PX5	Burgundy/burgundy	-90		
	964 521 004 48 ARA	Cobalt blue/cobalt blue	91		
	964 521 004 48 APA	Classic grey/classic grey	91		
1	964 521 003 49	Comfort seat with heating And Lumbar support Leatherette/ Centre part Porsche lettering cloth	/L	1	M437
	964 521 003 49 PX1	Black/black			
	964 521 003 49 XJ9	Marine blue/marine blue	-90		
	964 521 003 49 XH3	Linen/linen	-90		
	964 521 003 49 PX5	Burgundy/burgundy	-90		
	964 521 003 49 ARA	Cobalt blue/cobalt blue	91		
	964 521 003 49 APA	Classic grey/classic grey	91		
(1)	964 521 004 49	Comfort seat with heating And Lumbar support Leatherette/ Centre part Porsche lettering cloth	/R	1	M438
	964 521 004 49 PX1	Black/black			
	964 521 004 49 XJ9	Marine blue/marine blue	-90		
	964 521 004 49 XH3	Linen/linen	-90		
	964 521 004 49 PX5	Burgundy/burgundy	-90		
	964 521 004 49 ARA	Cobalt blue/cobalt blue	91		
	964 521 004 49 APA	Classic grey/classic grey	91		
2	964 521 003 19	Comfort seat Leatherette/ Seat and backrest surface Pin stripe velour	/L	1	M437
	964 521 003 19 NY5	Black/ Black-white	-90		
	964 521 003 19 TR7	Blue/ Blue-white	-90		
	964 521 003 19 XK2	Linen/ Linen white	-90		
	964 521 003 19 NY8	Burgundy/ Burgundy-white	-90		
(2)	964 521 004 19	Comfort seat Leatherette/ Seat and backrest surface Pin stripe velour	/R	1	M438
	964 521 004 19 NY5	Black/	-90		

Model: STZ Model life 1985>>1998

Pos	Part Number	Description	Remark	Qty	Model
	964 521 004 19 TR7	Black-white Blue/	-90		
	964 521 004 19 XK2	Blue-white Linen/	-90		
	964 521 004 19 NY8	Linen white Burgundy/	-90		
2	964 521 003 25	Burgundy-white Comfort seat with heating Leatherette/ Seat and backrest surface Pin stripe velour	/L	1	M437
	964 521 003 25 NY5	Black/	-90		
	964 521 003 25 TR7	Black-white Blue/	-90		
	964 521 003 25 XK2	Blue-white Linen/	-90		
	964 521 003 25 NY8	Linen white Burgundy/	-90		
(2)	964 521 004 25	Burgundy-white Comfort seat with heating Leatherette/ Seat and backrest surface Pin stripe velour	/R	1	M438
	964 521 004 25 NY5	Black/	-90		
	964 521 004 25 TR7	Black-white Blue/	-90		
	964 521 004 25 XK2	Blue-white Linen/	-90		
	964 521 004 25 NY8	Linen white Burgundy/	-90		
2	964 521 003 31	Burgundy-white Comfort seat with Lumbar support Leatherette/ Seat and backrest surface Pin stripe velour	/L	1	M437
	964 521 003 31 NY5	Black/	-90		
	964 521 003 31 TR7	Black-white Blue/	-90		
	964 521 003 31 XK2	Blue-white Linen/	-90		
	964 521 003 31 NY8	Linen white Burgundy/	-90		
(2)	964 521 004 31	Burgundy-white Comfort seat with Lumbar support Leatherette/ Seat and backrest surface Pin stripe velour	/R	1	M438
	964 521 004 31 NY5	Black/	-90		
	964 521 004 31 TR7	Black-white Blue/	-90		
	964 521 004 31 XK2	Blue-white Linen/	-90		
	964 521 004 31 NY8	Linen white Burgundy/	-90		
2	964 521 003 37	Burgundy-white Comfort seat with heating	/L	1	M437

Model: STZ Model life 1985>>1998

Pos	Part Number	Description	Remark	Qty	Model
		And Lumbar support Leatherette/ Seat and backrest surface Pin stripe velour			
	964 521 003 37 NY5	Black/ Black-white	-90		
	964 521 003 37 TR7	Blue/ Blue-white	-90		
	964 521 003 37 XK2	Linen/ Linen white	-90		
	964 521 003 37 NY8	Burgundy/ Burgundy-white	-90		
(2)	964 521 004 37	Comfort seat with heating And Lumbar support Leatherette/ Seat and backrest surface Pin stripe velour	/R	1	M438
	964 521 004 37 NY5	Black/ Black-white	-90		
	964 521 004 37 TR7	Blue/ Blue-white	-90		
	964 521 004 37 XK2	Linen/ Linen white	-90		
	964 521 004 37 NY8	Burgundy/ Burgundy-white	-90		
2	964 521 003 19	Comfort seat Leatherette/ Seat and backrest surface Multicolour	/L	1	M437
	964 521 003 19 XK8	Black/black			
	964 521 003 19 XN1	Marine blue/marine blue	-90		
	964 521 003 19 XK4	Linen/linen	-90		
	964 521 003 19 XN2	Burgundy/burgundy	-90		
	964 521 003 19 AQV	Cobalt blue/cobalt blue	91		
	964 521 003 19 AQP	Classic grey/classic grey	91		
(2)	964 521 004 19	Comfort seat Leatherette/ Seat and backrest surface Multicolour	/R	1	M438
	964 521 004 19 XK8	Black/black			
	964 521 004 19 XN1	Marine blue/marine blue	-90		
	964 521 004 19 XK4	Linen/linen	-90		
	964 521 004 19 XN2	Burgundy/burgundy	-90		
	964 521 004 19 AQV	Cobalt blue/cobalt blue	91		
	964 521 004 19 AQP	Classic grey/classic grey	91		
2	964 521 003 25	Comfort seat with heating Leatherette/ Seat and backrest surface Multicolour	/L	1	M437
	964 521 003 25 XK8	Black/black			
	964 521 003 25 XN1	Marine blue/marine blue	-90		
	964 521 003 25 XK4	Linen/linen	-90		
	964 521 003 25 XN2	Burgundy/burgundy	-90		
	964 521 003 25 AQV	Cobalt blue/cobalt blue	91		
	964 521 003 25 AQP	Classic grey/classic grey	91		
(2)	964 521 004 25	Comfort seat with heating Leatherette/ Seat and backrest surface	/R	1	M438

Model: STZ Model life 1985>>1998

Pos	Part Number	Description	Remark	Qty	Model
		Multicolour			
	964 521 004 25 XK8	Black/black			
	964 521 004 25 XN1	Marine blue/marine blue	-90		
	964 521 004 25 XK4	Linen/linen	-90		
	964 521 004 25 XN2	Burgundy/burgundy	-90		
	964 521 004 25 AQV	Cobalt blue/cobalt blue	91		
	964 521 004 25 AQP	Classic grey/classic grey	91		
2	964 521 003 31	Comfort seat with Lumbar support Leatherette/ Seat and backrest surface Multicolour	/L	1	M437
	964 521 003 31 XK8	Black/black			
	964 521 003 31 XN1	Marine blue/marine blue	-90		
	964 521 003 31 XK4	Linen/linen	-90		
	964 521 003 31 XN2	Burgundy/burgundy	-90		
	964 521 003 31 AQV	Cobalt blue/cobalt blue	91		
	964 521 003 31 AQP	Classic grey/classic grey	91		
(2)	964 521 004 31	Comfort seat with Lumbar support Leatherette/ Seat and backrest surface Multicolour	/R	1	M438
	964 521 004 31 XK8	Black/black			
	964 521 004 31 XN1	Marine blue/marine blue	-90		
	964 521 004 31 XK4	Linen/linen	-90		
	964 521 004 31 XN2	Burgundy/burgundy	-90		
	964 521 004 31 AQV	Cobalt blue/cobalt blue	91		
	964 521 004 31 AQP	Classic grey/classic grey	91		
2	964 521 003 37	Comfort seat with heating And Lumbar support Leatherette/ Seat and backrest surface Multicolour	/L	1	M437
	964 521 003 37 XK8	Black/black			
	964 521 003 37 XN1	Marine blue/marine blue	-90		
	964 521 003 37 XK4	Linen/linen	-90		
	964 521 003 37 XN2	Burgundy/burgundy	-90		
	964 521 003 37 AQV	Cobalt blue/cobalt blue	91		
	964 521 003 37 AQP	Classic grey/classic grey	91		
(2)	964 521 004 37	Comfort seat with heating And Lumbar support Leatherette/ Seat and backrest surface Multicolour	/R	1	M438
	964 521 004 37 XK8	Black/black			
	964 521 004 37 XN1	Marine blue/marine blue	-90		
	964 521 004 37 XK4	Linen/linen	-90		
	964 521 004 37 XN2	Burgundy/burgundy	-90		
	964 521 004 37 AQV	Cobalt blue/cobalt blue	91		
	964 521 004 37 AQP	Classic grey/classic grey	91		
2	964 521 003 19	Comfort seat Leatherette/ Seat and backrest surface Porsche lettering cloth	/L	1	M437
	964 521 003 19 PX2	Black/black			
	964 521 003 19 TR9	Marine blue/marine blue	-90		

Model: STZ Model life 1985>>1998

Pos	Part Number	Description	Remark	Qty	Model			
(2)	964 521 003 19 XK3	Linen/linen	-90	1	M438			
	964 521 003 19 PX6	Burgundy/burgundy	-90					
	964 521 003 19 ARM	Cobalt blue/cobalt blue	91					
	964 521 003 19 APM	Classic grey/classic grey	91					
	964 521 004 19	Comfort seat Leatherette/ Seat and backrest surface Porsche lettering cloth	/R					
	964 521 004 19 PX2	Black/black						
	964 521 004 19 TR9	Marine blue/marine blue	-90					
	964 521 004 19 XK3	Linen/linen	-90					
	964 521 004 19 PX6	Burgundy/burgundy	-90					
	964 521 004 19 ARM	Cobalt blue/cobalt blue	91					
2	964 521 004 19 APM	Classic grey/classic grey	91	1	M437			
	964 521 003 25	Comfort seat with heating Leatherette/ Seat and backrest surface Porsche lettering cloth	/L					
	964 521 003 25 PX2	Black/black						
	964 521 003 25 TR9	Marine blue/marine blue	-90					
	964 521 003 25 XK3	Linen/linen	-90					
	964 521 003 25 PX6	Burgundy/burgundy	-90					
	964 521 003 25 ARM	Cobalt blue/cobalt blue	91					
	964 521 003 25 APM	Classic grey/classic grey	91					
	(2)	964 521 004 25	Comfort seat with heating Leatherette/ Seat and backrest surface Porsche lettering cloth			/R	1	M438
		964 521 004 25 PX2	Black/black					
964 521 004 25 TR9		Marine blue/marine blue	-90					
964 521 004 25 XK3		Linen/linen	-90					
964 521 004 25 PX6		Burgundy/burgundy	-90					
964 521 004 25 ARM		Cobalt blue/cobalt blue	91					
964 521 004 25 APM		Classic grey/classic grey	91					
2		964 521 003 31	Comfort seat with Lumbar support Leatherette/ Seat and backrest surface Porsche lettering cloth	/L	1	M437		
		964 521 003 31 PX2	Black/black					
		964 521 003 31 TR9	Marine blue/marine blue	-90				
	964 521 003 31 XK3	Linen/linen	-90					
	964 521 003 31 PX6	Burgundy/burgundy	-90					
	964 521 003 31 ARM	Cobalt blue/cobalt blue	91					
	964 521 003 31 APM	Classic grey/classic grey	91					
	(2)	964 521 004 31	Comfort seat with Lumbar support Leatherette/ Seat and backrest surface Porsche lettering cloth	/R			1	M438
		964 521 004 31 PX2	Black/black					
		964 521 004 31 TR9	Marine blue/marine blue	-90				
964 521 004 31 XK3		Linen/linen	-90					
964 521 004 31 PX6		Burgundy/burgundy	-90					
964 521 004 31 ARM		Cobalt blue/cobalt blue	91					
964 521 004 31 APM		Classic grey/classic grey	91					
2		964 521 003 37	Comfort seat with heating And	/L	1	M437		

Model: STZ Model life 1985>>1998

Pos	Part Number	Description	Remark	Qty	Model
		Lumbar support Leatherette/ Seat and backrest surface Porsche lettering cloth			
	964 521 003 37 PX2	Black/black			
	964 521 003 37 TR9	Marine blue/marine blue	-90		
	964 521 003 37 XK3	Linen/linen	-90		
	964 521 003 37 PX6	Burgundy/burgundy	-90		
	964 521 003 37 ARM	Cobalt blue/cobalt blue	91		
	964 521 003 37 APM	Classic grey/classic grey	91		
(2)	964 521 004 37	Comfort seat with heating And Lumbar support Leatherette/ Seat and backrest surface Porsche lettering cloth	/R	1	M438
	964 521 004 37 PX2	Black/black			
	964 521 004 37 TR9	Marine blue/marine blue	-90		
	964 521 004 37 XK3	Linen/linen	-90		
	964 521 004 37 PX6	Burgundy/burgundy	-90		
	964 521 004 37 ARM	Cobalt blue/cobalt blue	91		
	964 521 004 37 APM	Classic grey/classic grey	91		
3	964 521 003 21	Comfort seat Leatherette/ Seat and backrest surface Leather	/L	1	M437
	964 521 003 21 JN3	Black/black			
	964 521 003 21 TW2	Linen/linen	-90		
	964 521 003 21 NZ8	Burgundy/burgundy	-90		
	964 521 003 21 TS2	Marine blue/marine blue	-90		
	964 521 003 21 ARK	Cobalt blue/cobalt blue	91		
	964 521 003 21 APK	Classic grey/classic grey	91		
(3)	964 521 004 21	Comfort seat Leatherette/ Seat and backrest surface Leather	/R	1	M438
	964 521 004 21 JN3	Black/black			
	964 521 004 21 TW2	Linen/linen	-90		
	964 521 004 21 NZ8	Burgundy/burgundy	-90		
	964 521 004 21 TS2	Marine blue/marine blue	-90		
	964 521 004 21 ARK	Cobalt blue/cobalt blue	91		
	964 521 004 21 APK	Classic grey/classic grey	91		
3	964 521 003 27	Comfort seat with heating Leatherette/ Seat and backrest surface Leather	/L	1	M437
	964 521 003 27 JN3	Black/black			
	964 521 003 27 TW2	Linen/linen	-90		
	964 521 003 27 NZ8	Burgundy/burgundy	-90		
	964 521 003 27 TS2	Marine blue/marine blue	-90		
	964 521 003 27 ARK	Cobalt blue/cobalt blue	91		
	964 521 003 27 APK	Classic grey/classic grey	91		
(3)	964 521 004 27	Comfort seat with heating Leatherette/ Seat and backrest surface Leather	/R	1	M438
	964 521 004 27 JN3	Black/black			
	964 521 004 27 TW2	Linen/linen	-90		
	964 521 004 27 NZ8	Burgundy/burgundy	-90		
	964 521 004 27 TS2	Marine blue/marine blue	-90		



Model: STZ Model life 1985>>1998

Pos	Part Number	Description	Remark	Qty	Model		
3	964 521 004 27 ARK	Cobalt blue/cobalt blue	91	1	M437		
	964 521 004 27 APK	Classic grey/classic grey	91				
	964 521 003 33	Comfort seat with Lumbar support Leatherette/ Seat and backrest surface Leather	/L				
	964 521 003 33 JN3	Black/black					
	964 521 003 33 TW2	Linen/linen	-90				
	964 521 003 33 NZ8	Burgundy/burgundy	-90				
	964 521 003 33 TS2	Marine blue/marine blue	-90				
	964 521 003 33 ARK	Cobalt blue/cobalt blue	91				
	964 521 003 33 APK	Classic grey/classic grey	91				
	(3) 964 521 004 33	Comfort seat with Lumbar support Leatherette/ Seat and backrest surface Leather	/R			1	M438
3	964 521 004 33 JN3	Black/black		1	M437		
	964 521 004 33 TW2	Linen/linen	-90				
	964 521 004 33 NZ8	Burgundy/burgundy	-90				
	964 521 004 33 TS2	Marine blue/marine blue	-90				
	964 521 004 33 ARK	Cobalt blue/cobalt blue	91				
	964 521 004 33 APK	Classic grey/classic grey	91				
	964 521 003 39	Comfort seat with heating And Lumbar support Leatherette/ Seat and backrest surface Leather	/L				
	964 521 003 39 JN3	Black/black					
	964 521 003 39 TW2	Linen/linen	-90				
	964 521 003 39 NZ8	Burgundy/burgundy	-90				
(3)	964 521 003 39 TS2	Marine blue/marine blue	-90	1	M438		
	964 521 003 39 ARK	Cobalt blue/cobalt blue	91				
	964 521 003 39 APK	Classic grey/classic grey	91				
	964 521 004 39	Comfort seat with heating And Lumbar support Leatherette/ Seat and backrest surface Leather	/R				
	964 521 004 39 JN3	Black/black					
	964 521 004 39 TW2	Linen/linen	-90				
	964 521 004 39 NZ8	Burgundy/burgundy	-90				
	964 521 004 39 TS2	Marine blue/marine blue	-90				
	964 521 004 39 ARK	Cobalt blue/cobalt blue	91				
	964 521 004 39 APK	Classic grey/classic grey	91				
3	964 521 003 23	Comfort seat Whole-leather	/L	1	M437		
	964 521 003 23 KZ2	Black					
	964 521 003 23 TW1	Linen	-90				
	964 521 003 23 LG7	Burgundy	-90				
	964 521 003 23 TS1	Marine blue	-90				
	964 521 003 23 ARL	Cobalt blue	91				
	964 521 003 23 APL	Classic grey	91				
	(3) 964 521 004 23	Comfort seat Whole-leather	/R			1	M438
	964 521 004 23 KZ2	Black					

Model: STZ Model life 1985>>1998

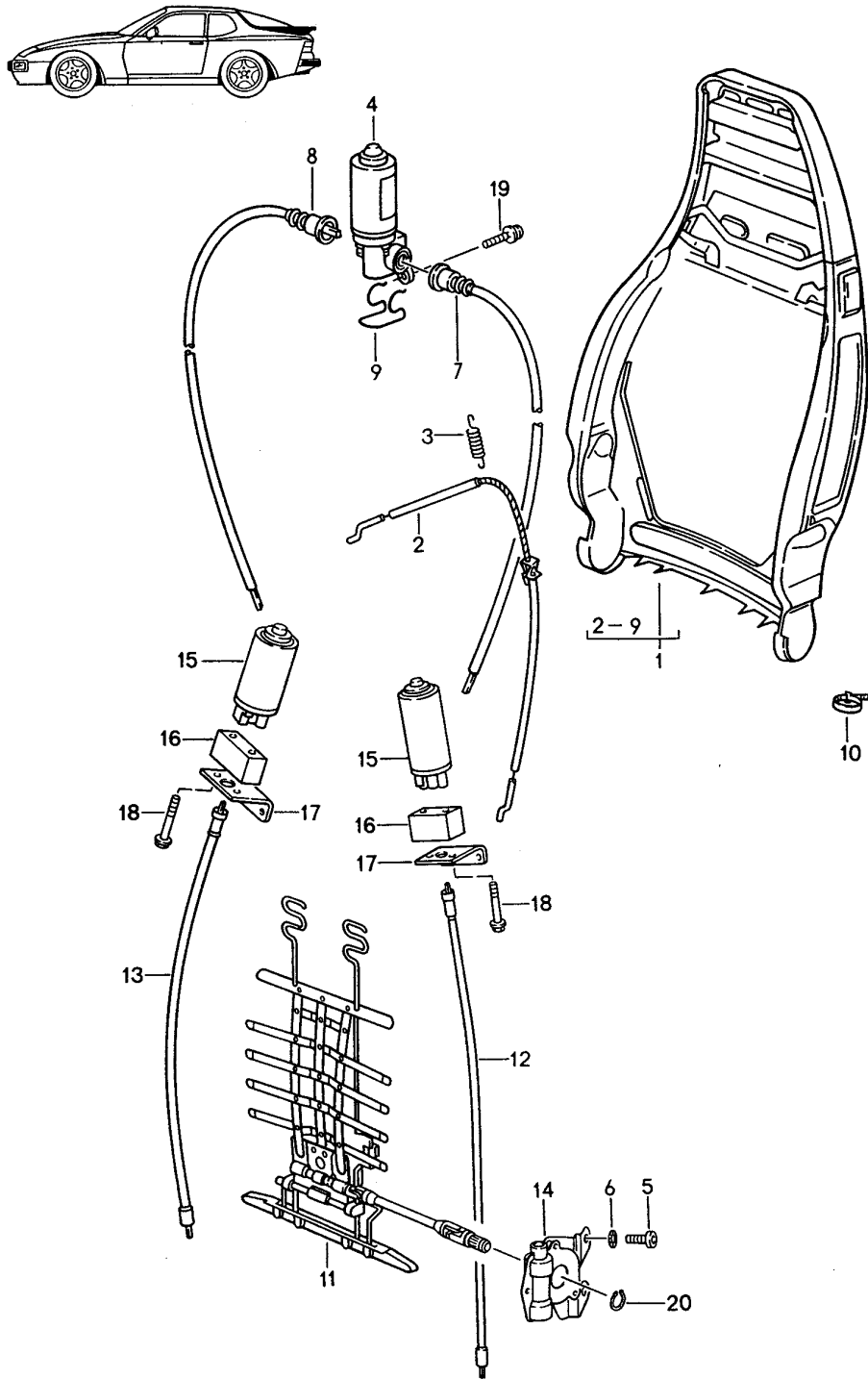
Pos	Part Number	Description	Remark	Qty	Model
	964 521 004 23 TW1	Linen	-90		
	964 521 004 23 LG7	Burgundy	-90		
	964 521 004 23 TS1	Marine blue	-90		
	964 521 004 23 ARL	Cobalt blue	91		
	964 521 004 23 APL	Classic grey	91		
3	964 521 003 29	Comfort seat with heating Whole-leather	/L	1	M437
	964 521 003 29 KZ2	Black			
	964 521 003 29 TW1	Linen	-90		
	964 521 003 29 LG7	Burgundy	-90		
	964 521 003 29 TS1	Marine blue	-90		
	964 521 003 29 ARL	Cobalt blue	91		
	964 521 003 29 APL	Classic grey	91		
(3)	964 521 004 29	Comfort seat with heating Whole-leather	/R	1	M438
	964 521 004 29 KZ2	Black			
	964 521 004 29 TW1	Linen	-90		
	964 521 004 29 LG7	Burgundy	-90		
	964 521 004 29 TS1	Marine blue	-90		
	964 521 004 29 ARL	Cobalt blue	91		
	964 521 004 29 APL	Classic grey	91		
3	964 521 003 35	Comfort seat with Lumbar support Whole-leather	/L	1	M437
	964 521 003 35 KZ2	Black			
	964 521 003 35 TW1	Linen	-90		
	964 521 003 35 LG7	Burgundy	-90		
	964 521 003 35 TS1	Marine blue	-90		
	964 521 003 35 ARL	Cobalt blue	91		
	964 521 003 35 APL	Classic grey	91		
(3)	964 521 004 35	Comfort seat with Lumbar support Whole-leather	/R	1	M438
	964 521 004 35 KZ2	Black			
	964 521 004 35 TW1	Linen	-90		
	964 521 004 35 LG7	Burgundy	-90		
	964 521 004 35 TS1	Marine blue	-90		
	964 521 004 35 ARL	Cobalt blue	91		
	964 521 004 35 APL	Classic grey	91		
3	964 521 003 41	Comfort seat with heating And Lumbar support Whole-leather	/L	1	M437
	964 521 003 41 KZ2	Black			
	964 521 003 41 TW1	Linen	-90		
	964 521 003 41 LG7	Burgundy	-90		
	964 521 003 41 TS1	Marine blue	-90		
	964 521 003 41 ARL	Cobalt blue	91		
	964 521 003 41 APL	Classic grey	91		
(3)	964 521 004 41	Comfort seat with heating And Lumbar support Whole-leather	/R	1	M438
	964 521 004 41 KZ2	Black			
	964 521 004 41 TW1	Linen	-90		
	964 521 004 41 LG7	Burgundy	-90		
	964 521 004 41 TS1	Marine blue	-90		

Model: STZ Model life 1985>>1998

Pos	Part Number	Description	Remark	Qty	Model
	964 521 004 41 ARL	Cobalt blue	91		
	964 521 004 41 APL	Classic grey	91		
4	911 521 547 00	Screw M 10 X 20		8	
5	928 521 717 02	Square rod for backrest adjustment		4	
6	928 521 716 02	Lock washer for backrest adjustment		4	
6	928 521 716 03	Lock washer for backrest adjustment		4	
7	900 249 004 02	Countersunk-head screw M 4 X 8 for backrest adjustment		4	
8	928 521 147 02	Cover		2	
	928 521 147 02 01C	Black			
	928 521 147 02 9JJ	Marine blue	-90		
	928 521 147 02 9MM	Burgundy	-90		
	928 521 147 02 7XJ	Linen	-90		
	928 521 147 02 6ZF	Cobalt blue	91		
	928 521 147 02 4XC	Classic grey	91		
(8)	928 521 148 02	Cover		2	
	928 521 148 02 01C	Black			
	928 521 148 02 9JJ	Marine blue	-90		
	928 521 148 02 9MM	Burgundy	-90		
	928 521 148 02 7XJ	Linen	-90		
	928 521 148 02 6ZF	Cobalt blue	91		
	928 521 148 02 4XC	Classic grey	91		
(9)	900 025 044 07	Washer A 4,3		8	
10	900 143 113 07	Oval-head screw B 4,2 X 13		8	
10	900 143 113 0G	Oval-head screw B 4,2 X 13		8	
11	928 521 760 04	Cover for Comfort seat		2	
	928 521 760 04 01C	Satin black			
(11)	928 521 760 05	Cover for Elect. vertical adjustment		2	
	928 521 760 05 01C	Satin black			
12	900 143 113 07	Oval-head screw 4,2 X 13		4	
12	900 143 113 0G	Oval-head screw 4,2 X 13		4	
13	900 025 044 07	Washer A 4,3		4	
-	N 100 472 01	Speed nut ST. 3,9		4	
14	900 119 030 02	Pan-head screw M 8 X 20		12	
15	900 089 006 02	Washer 8		12	
15	900 089 006 01	Washer 8		12	
16	911 521 347 00	Stop	-90	2	
17	944 521 547 00	Base wedge Vertical seat adjustment		X	

Model: STZ

Model life 1985>>1998

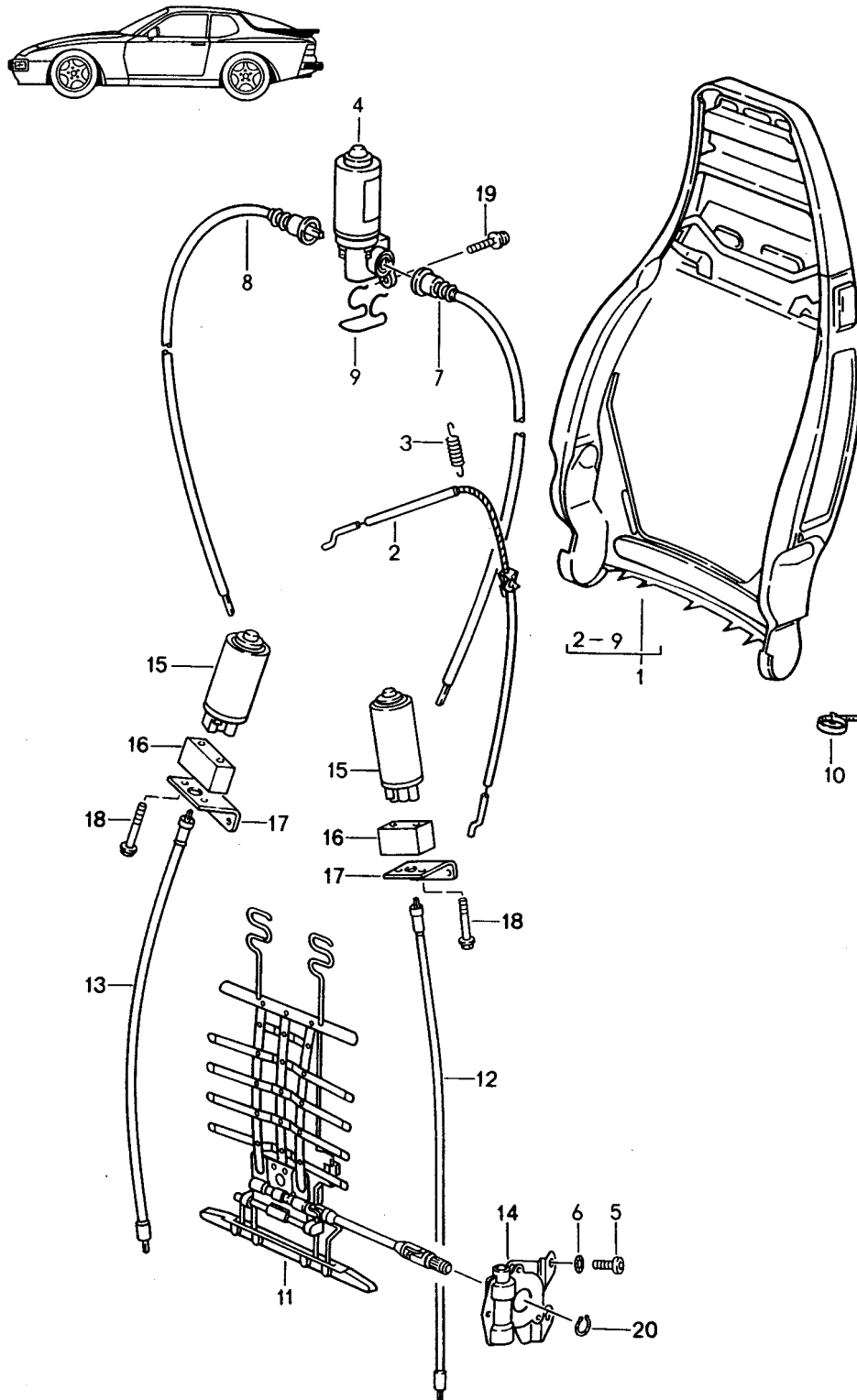


Model: STZ Model life 1985&gt;&gt;1998

Pos	Part Number	Description	Remark	Qty	Model
		Backrest frame Manually Electric Lumbar support	-88		944/S TURBO/S
(1)	928 521 027 08	Backrest frame Manually adjustable		2	
1	928 521 027 10	Backrest frame Electrically adjustable		2	
2	928 521 093 02	Bowden cable		4	
3	311 881 287 A	Tension spring		4	
4	928 624 126 01	Actuating lever Geared motor for backrest adjustment	87-	2	
5	N 014 128 4	Oval-head screw M 5 X 8		4	
6	N 012 130 2	Shake-proof washer A 5,3		4	
7	928 521 617 02	Shaft for backrest adjustment	/L -86	2	
7	928 521 617 03	Shaft for backrest adjustment	/L 87-	2	
8	928 521 618 02	Shaft for backrest adjustment	/R -86	2	
8	928 521 618 03	Shaft for backrest adjustment	/R 87-	2	
9	928 521 675 02	Moulded spring		2	
10	N 020 904 4	Tie-wrap 6,5 X 120		10	
11	928 521 135 02	Lumbar support		2	
12	928 521 315 03	Pliable shaft Lumbar support adjustment Curvature		2	
13	928 521 315 02	Pliable shaft Lumbar support adjustment Height		2	
14	928 521 153 03	Transmission		2	
15	928 624 122 02	Adjusting motor Lumbar		4	
16	928 624 199 00	Spacer Lumbar support		4	
17	928 624 057 00	Engine carrier Lumbar support		4	
18	999 919 058 02	Hexagon-head bolt H 5 X 40 Lumbar support		8	
19	900 146 117 02	Combination screw M 5 X 12 Z1 Lumbar support		4	
20	N 012 411 1	Circlip 11 X 1 Lumbar support		2	

Model: STZ

Model life 1985>>1998



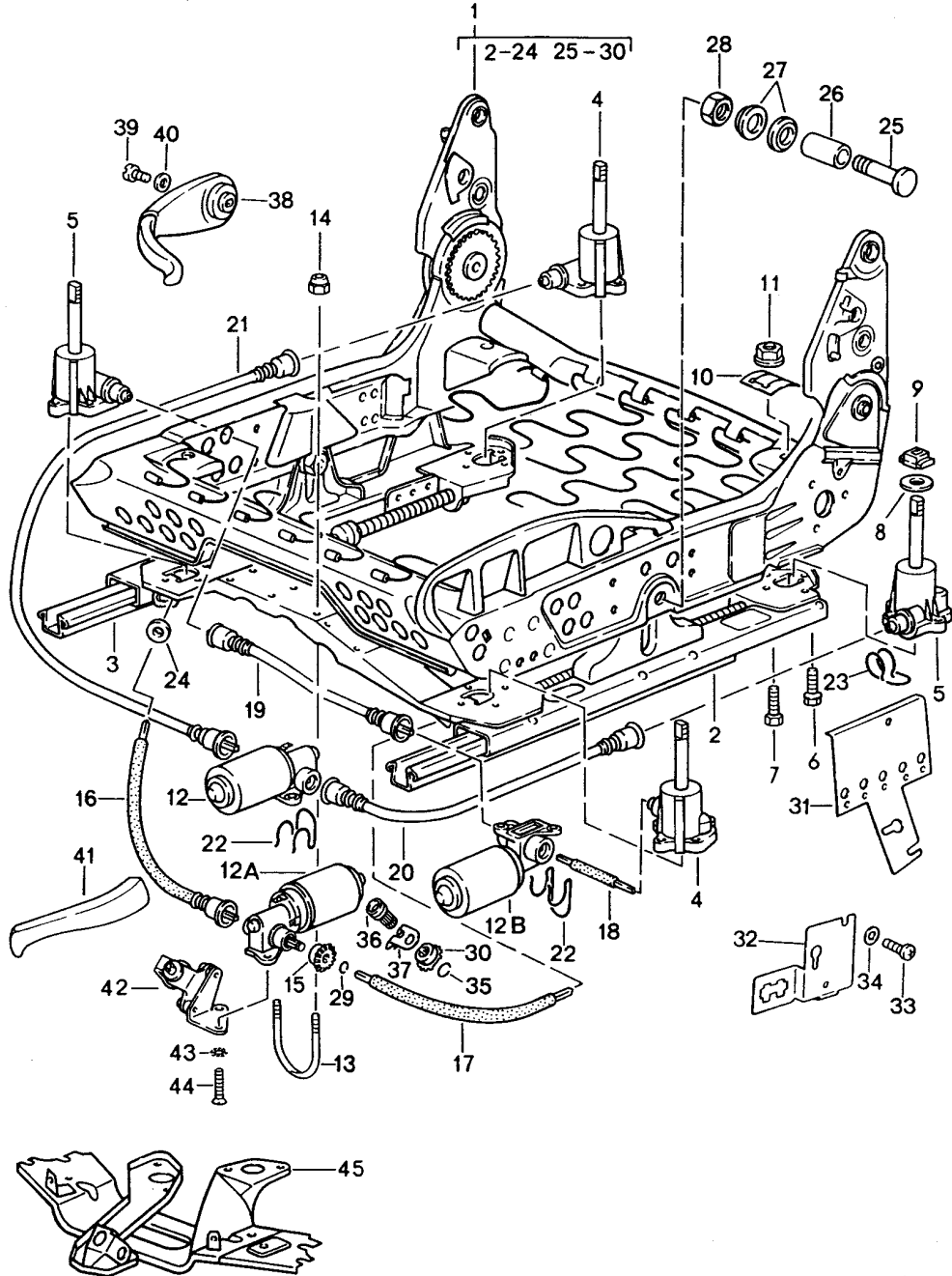
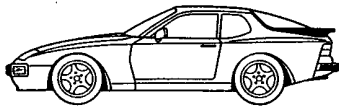
Model: STZ

Model life 1985&gt;&gt;1998

Pos	Part Number	Description	Remark	Qty	Model
		Backrest frame Manually Electric Lumbar support	89-91		944/S2 TURBO
(1)	928 521 027 08	Backrest frame Manually adjustable		2	
1	928 521 027 10	Backrest frame Electrically adjustable		2	
2	928 521 093 02	Bowden cable		4	
3	311 881 287 A	Tension spring		4	
4	928 624 126 01	Actuating lever Geared motor for backrest adjustment		2	
5	N 014 128 4	Oval-head screw M 5 X 8		4	
6	N 012 130 2	Shake-proof washer A 5,3		4	
7	928 521 617 03	Shaft for backrest adjustment	/L	2	
8	928 521 618 03	Shaft for backrest adjustment	/R	2	
9	928 521 675 02	Moulded spring		2	
10	N 020 904 4	Tie-wrap 6,5 X 120		10	
11	928 521 135 02	Lumbar support		2	
12	928 521 315 03	Pliable shaft Lumbar support adjustment Curvature		2	
13	928 521 315 02	Pliable shaft Lumbar support adjustment Height		2	
14	928 521 153 03	Transmission		2	
15	928 624 122 02	Adjusting motor		4	
16	928 624 199 00	Lumbar Spacer		4	
17	928 624 057 00	Lumbar support Engine carrier		4	
18	999 919 058 02	Lumbar support Hexagon-head bolt H 5 X 40		8	
19	900 146 117 02	Lumbar support Combination screw M 5 X 12 Z1		4	
20	N 012 411 1	Circlip 11 X 1 Lumbar support		2	

Model: STZ

Model life 1985>>1998





Model: STZ Model life 1985>>1998

Pos	Part Number	Description	Remark	Qty	Model
		Seat frame Manually Electric	-88		944/S TURBO/S
(1)	993 521 069 00	Seat frame Manually adjustable	/L	1	
(1)	993 521 070 00	Seat frame Manually adjustable	/R	1	
(1)	993 521 069 01	Seat frame Elect. vertical adjustment	/L	1	
(1)	993 521 070 01	Seat frame Elect. vertical adjustment	/R	1	
1	993 521 069 03	Seat frame All-electric	/L	1	
(1)	993 521 070 03	Seat frame All-electric	/R	1	
(2)	928 521 489 10	Seat rail Left seat Outer Manually adjustable		1	
(2)	928 521 490 10	Seat rail Right seat Outer Manually adjustable		1	
(2)	928 521 489 11	Seat rail Left seat Outer Elect. vertical adjustment		1	
(2)	928 521 490 11	Seat rail Right seat Outer Elect. vertical adjustment		1	
2	928 521 489 08	Seat rail Left seat Outer All-electric		1	
(2)	928 521 490 08	Seat rail Right seat Outer All-electric		1	
(3)	928 521 491 08	Seat rail Right seat Inner Manually adjustable		1	
(3)	928 521 492 08	Seat rail Left seat Inner Manually adjustable		1	
(3)	964 521 491 00	Seat rail Right seat Inner Elect. vertical adjustment		1	
(3)	964 521 492 00	Seat rail Left seat Inner Elect. vertical adjustment		1	
(3)	928 521 491 11	Seat rail Right seat Inner All-electric		1	
3	928 521 492 11	Seat rail Left seat Inner All-electric		1	

Model: STZ Model life 1985>>1998

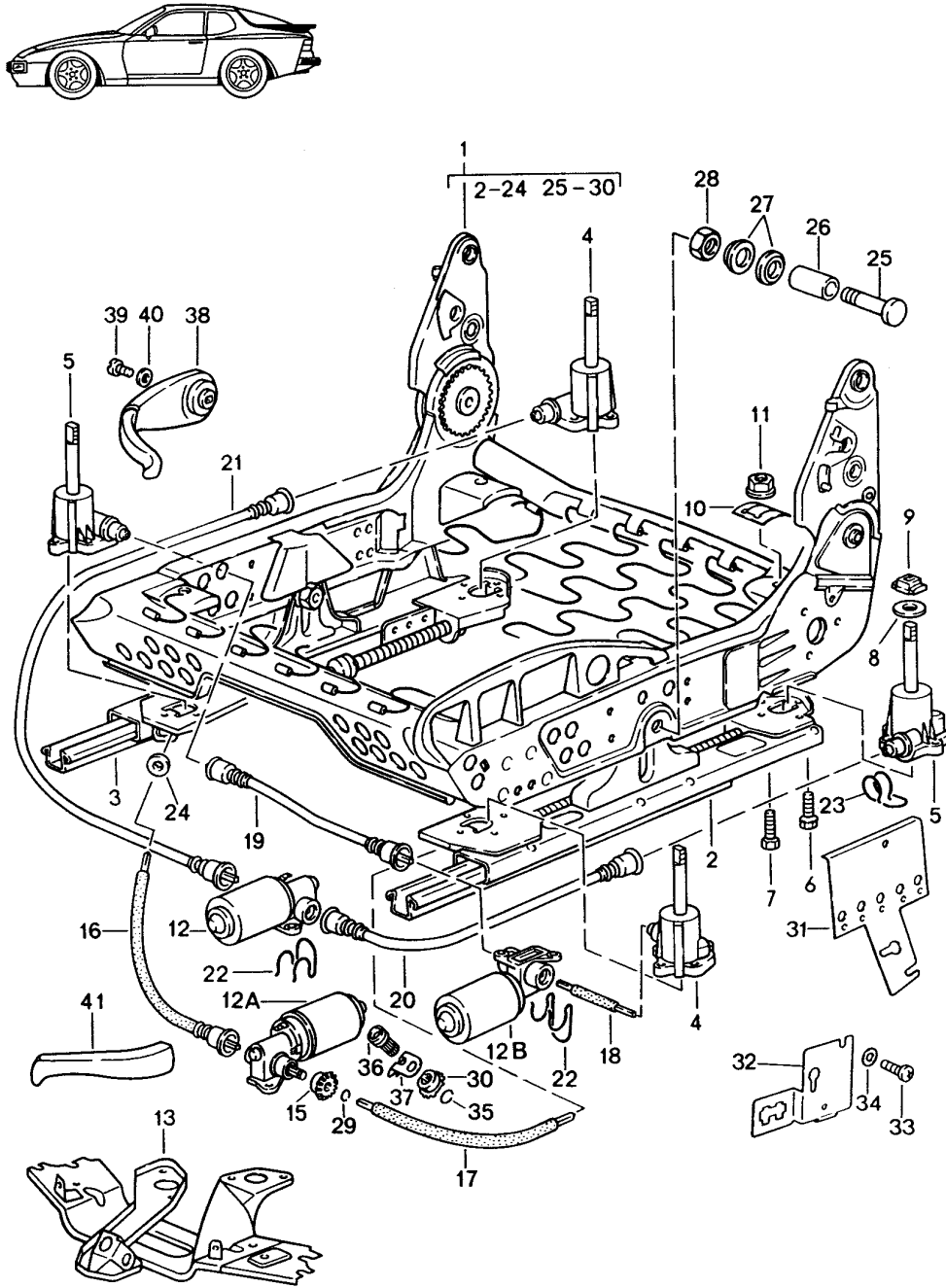
Pos	Part Number	Description	Remark	Qty	Model
4	928 521 721 03	Lifting gear Left front, right rear		4	
5	928 521 722 03	Lifting gear Right front, left rear		4	
6	999 217 033 01	Locking screw M 6 X 16		20	
7	900 186 032 02	Pan-head screw M 6 X 12		8	
8	999 025 129 40	Washer		8	
9	928 521 727 02	Slide		8	
10	928 521 723 02	Guide spring		8	
11	928 521 730 02	Nut		8	
12	928 624 126 01	Geared motor Rear vertical adjustment		2	
12A	928 624 136 00	Geared motor for longitudinal adjustment		2	
12B	928 624 126 01	Geared motor Front vertical adjustment	87-	2	
13	999 222 001 02	Stirrup bolt M 4	-86	6	
14	900 910 006 02	Lock nut M 4	-86	12	
14	900 084 020 01	Lock nut M 4		12	
15	928 521 818 03	Bevel pinion for emergency control	86-	2	
16	928 521 251 02	Shaft 246 MM for longitudinal adjustment	/L	2	
16	928 521 252 04	Shaft 265 MM for longitudinal adjustment	/L	2	
17	928 521 252 03	Shaft 246 MM for longitudinal adjustment	/R	2	
17	928 521 251 03	Shaft 265 MM for longitudinal adjustment	/R	2	
18	928 521 671 03	Shaft Front vertical adjustment	/L	2	
19	928 521 672 02	Pliable shaft Front vertical adjustment	/R -86	2	
19	928 521 672 03	Shaft Front vertical adjustment	/R 87-	2	
20	928 521 673 05	Flexible shaft Rear vertical adjustment	/L	2	
21	928 521 674 02	Pliable shaft Rear vertical adjustment	/R -86	2	
21	928 521 674 05	Flexible shaft Rear vertical adjustment	/R	2	
21	928 521 674 06	Flexible shaft Rear vertical adjustment	/R	2	
22	928 521 675 02	Moulded spring for engine		6	
23	928 521 699 00	Moulded spring Transmission		6	
24	999 591 730 00	Lock washer		6	
25	928 521 681 02	Bolt 1,5 PA 6		4	
26	928 521 685 02	Bush		4	
27	928 521 683 02	Washer 1,5 PA 6		8	
28	900 034 003 02	Hexagon nut		4	

Model: STZ Model life 1985>>1998

Pos	Part Number	Description	Remark	Qty	Model
29	900 906 005 01	M 10 Circlip A 8	86-	2	
30	928 521 818 04	Bevel pinion for emergency control	86-	2	
31	928 653 501 03	Bracket Cable holder		2	
32	928 653 503 02	Bracket Cable holder		2	
33	N 014 133 8	Oval-head screw M 5 X 12		2	
34	900 025 003 02	Washer A 5,3		2	
35	N 042 499 1	Circlip A 12	86-	2	
36	928 521 816 03	Bearing pin	86-	2	
37	928 521 686 00	Moulded spring		2	
38	964 521 073 00	Lever		2	
38	964 521 073 00 01C	Satin black		2	
38	964 521 073 01	Lever		2	
38	964 521 073 01 01C	Black		2	
39	900 119 011 07	Pan-head screw M 5 X 10		2	
40	900 031 006 07	Washer 5,3		2	
(41)	911 521 533 01	Handle for longitudinal adjustment		2	
	911 521 533 01 01C	Satin black		2	
42	928 521 145 02	Transmission for emergency control	-86	2	
43	N 012 130 2	Shake-proof washer A 5,3	-86	4	
44	N 014 128 4	Oval-head screw M 5 X 6	-86	4	
45	928 521 033 03	Engine support	87-	2	
-	928 521 525 03	Connecting rod Manually for longitudinal adjustment		2	
-	N 902 514 01	Clamping sleeve Manually for longitudinal adjustment		4	
-	N 902 515 01	Guide bush Manually for longitudinal adjustment		4	
-	999 591 778 02	Support Shaft for longitudinal adjustment		3	

Model: STZ

Model life 1985>>1998



Model: STZ Model life 1985>>1998

Pos	Part Number	Description	Remark	Qty	Model
		Seat frame	89-91		944/S2
		Manually			TURBO
		Electric			
(1)	993 521 069 00	Seat frame	/L	1	M381
		Manually adjustable			
(1)	993 521 070 00	Seat frame	/R	1	M382
		Manually adjustable			
(1)	993 521 069 01	Seat frame	/L	1	M379
		Elect. vertical adjustment			
(1)	993 521 070 01	Seat frame	/R	1	M380
		Elect. vertical adjustment			
(1)		Seat frame	/R	1	M380
		Elect. vertical adjustment			
1	993 521 069 03	Seat frame	/L	1	M437
		All-electric			
(1)	993 521 070 03	Seat frame	/R	1	M438
		All-electric			
(2)	928 521 489 10	Seat rail		1	
		Left seat			
		Outer			
		for manual adjustment			
(2)	928 521 490 10	Seat rail		1	
		Right seat			
		Outer			
		for manual adjustment			
(3)	928 521 492 08	Seat rail		1	
		Left seat			
		Inner			
		for manual adjustment			
(3)	928 521 491 08	Seat rail		1	
		Right seat			
		Inner			
		for manual adjustment			
(2)	928 521 489 11	Seat rail		1	
		Left seat			
		Outer			
		Elect. vertical adjustment			
(2)	928 521 490 11	Seat rail		1	
		Right seat			
		Outer			
		Elect. vertical adjustment			
(3)	964 521 492 00	Seat rail		1	
		Left seat			
		Inner			
		Elect. vertical adjustment			
(3)	964 521 491 00	Seat rail		1	
		Right seat			
		Inner			
		Elect. vertical adjustment			
2	928 521 489 08	Seat rail		1	
		Left seat			
		Outer			
		All-electric			
(2)	928 521 490 08	Seat rail		1	
		Right seat			
		Outer			
		All-electric			
3	928 521 492 11	Seat rail		1	
		Left seat			
		Inner			
		All-electric			
		F >>94KN4 51339			944
		F >>95KN1 50867			TURBO

Model: STZ Model life 1985>>1998

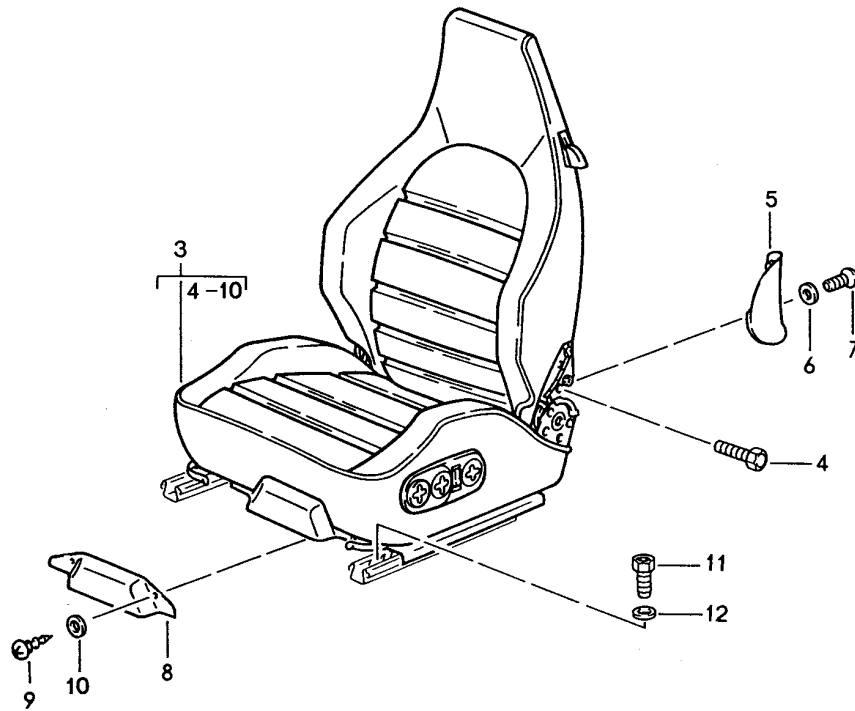
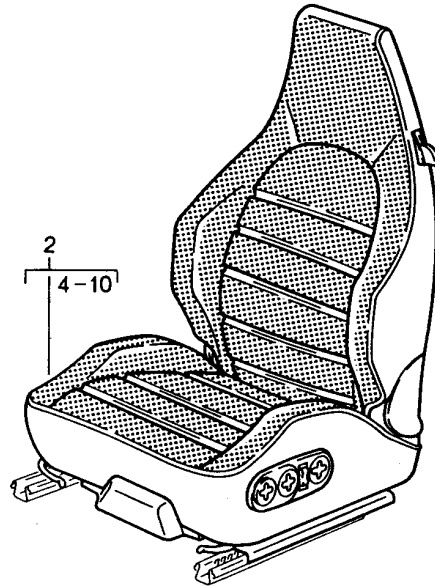
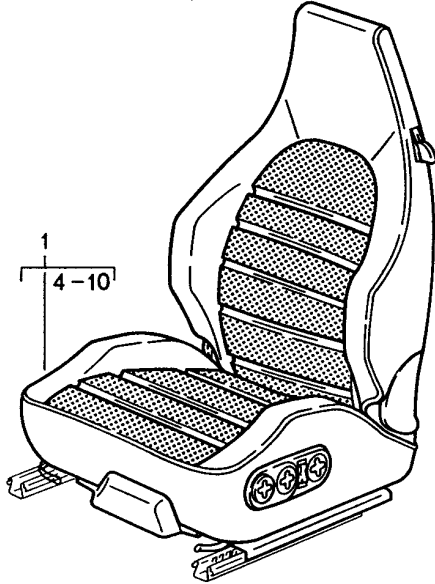
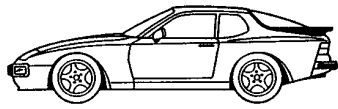
Pos	Part Number	Description	Remark	Qty	Model
3	964 521 492 01	Seat rail Left seat Inner All-electric F 94KN4 51340>> F 95KN1 50868>>		1	944 TURBO
(3)	928 521 491 11	Seat rail Right seat Inner All-electric F >>94KN4 51339 F >>95KN1 50867		1	944 TURBO
(3)	964 521 491 01	Seat rail Right seat Inner All-electric F 94KN4 51340>> F 95KN1 50868>>		1	944 TURBO
4	928 521 721 03	Lifting gear Left front, right rear		4	
5	928 521 722 03	Lifting gear Right front, left rear		4	
6	999 217 033 01	Locking screw M 6 X 16		20	
7	900 186 032 02	Pan-head screw M 6 X 12		8	
8	999 025 129 40	Washer		8	
9	928 521 727 02	Slide		8	
10	928 521 723 02	Guide spring		8	
11	928 521 730 02	Nut		8	
12	928 624 126 01	Geared motor Rear vertical adjustment		2	
12A	928 624 136 00	Geared motor for longitudinal adjustment		2	
12B	928 624 126 01	Geared motor Front vertical adjustment		2	
13	928 521 033 03	Engine support		2	
15	928 521 818 03	Bevel pinion for emergency control		2	
16	928 521 252 04	Shaft for longitudinal adjustment		2	
17	928 521 251 03	Shaft for longitudinal adjustment		2	
18	928 521 671 03	Shaft Front vertical adjustment	/L	2	
19	928 521 672 03	Shaft Front vertical adjustment	/R	2	
20	928 521 673 05	Flexible shaft Rear vertical adjustment	/L	2	
21	928 521 674 05	Flexible shaft Rear vertical adjustment	/R	2	
21	928 521 674 06	Flexible shaft Rear vertical adjustment	/R	2	
22	928 521 675 02	Moulded spring for engine		6	
23	928 521 699 00	Moulded spring Transmission		6	
24	999 591 778 02	Support		6	
25	928 521 681 02	Bolt 1,5 PA 6		4	
26	928 521 685 02	Bush		4	
27	928 521 683 02	Washer 1,5 PA 6		8	

Model: STZ Model life 1985>>1998

Pos	Part Number	Description	Remark	Qty	Model
28	900 034 003 02	Hexagon nut M 10		4	
29	900 906 005 01	Circlip A 8		2	
30	928 521 818 04	Bevel pinion for emergency control		2	
31	928 653 501 03	Bracket		2	
32	928 653 503 02	Bracket		2	
33	N 014 133 8	Oval-head screw M 5 X 12		2	
34	900 025 003 02	Washer A 5,3		2	
35	N 042 499 1	Circlip A12		2	
36	928 521 816 03	Bearing pin		2	
37	928 521 686 00	Moulded spring		2	
(38)	964 521 073 00	Lever F 94KN4 51340>> F 95KN1 50868>>		2	944 TURBO
	964 521 073 00 01C	Satin black			
38	964 521 073 01	Lever		2	
	964 521 073 01 01C	Black			
39	900 119 011 07	Pan-head screw M 5 X 10		1	
40	900 031 006 07	Washer 5,3		1	
41	928 521 563 03	Handle F >>94KN4 51339 F >>95KN1 50867		1	944 TURBO
(41)	911 521 533 00	Handle knob F >>94KN4 51339 F >>95KN1 50867		1	944 TURBO
(41)	911 521 533 01	Handle for longitudinal adjustment F 94KN4 51340>> F 95KN1 50868>>		2	944 TURBO
	911 521 533 01 01C	Satin black			
-	928 521 525 03	Connecting rod Manually for longitudinal adjustment		2	
-	N 902 514 01	Clamping sleeve Manually for longitudinal adjustment		4	
-	N 902 515 01	Guide bush Manually for longitudinal adjustment		4	

Model: STZ

Model life 1985>>1998





Model: STZ Model life 1985>>1998

Pos	Part Number	Description	Remark	Qty	Model
1	944 521 001 00	Sports seat Complete	-88	1	944/S TURBO/S
		Sports seat without heating	/L	1	M383
	944 521 001 00 JN1	Leatherette/ Centre part in cloth Pin stripe velour Black/ Black-white			
	944 521 001 00 JN2	Brown/ Brown-beige			
	944 521 001 00 RC7	Light grey Light grey-white			
	944 521 001 00 LT2	Burgundy/ Burgundy-white			
(1)	944 521 002 00	Sports seat without heating	/R	1	M387
		Leatherette/ Centre part in cloth Pin stripe velour			
	944 521 002 00 JN1	Black/ Black-white			
	944 521 002 00 JN2	Brown/ Brown-beige			
	944 521 002 00 RC7	Light grey Light grey-white			
	944 521 002 00 LT2	Burgundy/ Burgundy-white			
(1)	944 521 001 02	Sports seat with heating	/L	1	M383
		Leatherette/ Centre part in cloth Pin stripe velour			
	944 521 001 02 JN1	Black/ Black-white			
	944 521 001 02 JN2	Brown/ Brown-beige			
	944 521 001 02 RC7	Light grey Light grey-white			
	944 521 001 02 LT2	Burgundy/ Burgundy-white			
(1)	944 521 002 02	Sports seat with heating	/R	1	M387
		Leatherette/ Centre part in cloth Pin stripe velour			
	944 521 002 02 JN1	Black/ Black-white			
	944 521 002 02 JN2	Brown/ Brown-beige			
	944 521 002 02 RC7	Light grey Light grey-white			
	944 521 002 02 LT2	Burgundy/ Burgundy-white			
1	944 521 001 00	Sports seat without heating	/L	1	M383
		Leatherette/ Centre part in cloth Pin stripe flannel			
	944 521 001 00 NX4	Black/anthracite			
	944 521 001 00 NX5	Brown/brown			
	944 521 001 00 NX6	Light grey/light grey			
	944 521 001 00 NX7	Burgundy/burgundy			

Model: STZ Model life 1985>>1998

Pos	Part Number	Description	Remark	Qty	Model
(1)	944 521 002 00	Sports seat without heating Leatherette/ Centre part in cloth Pin stripe flannel	/R	1	M387
	944 521 002 00 NX4	Black/anthracite			
	944 521 002 00 NX5	Brown/brown			
	944 521 002 00 NX6	Light grey/light grey			
	944 521 002 00 NX7	Burgundy/burgundy			
(1)	944 521 001 02	Sports seat with heating Leatherette/ Centre part in cloth Pin stripe flannel	/L	1	M383
	944 521 001 02 NX4	Black/anthracite			
	944 521 001 02 NX5	Brown/brown			
	944 521 001 02 NX6	Light grey/light grey			
	944 521 001 02 NX7	Burgundy/burgundy			
(1)	944 521 002 02	Sports seat with heating Leatherette/ Centre part in cloth Pin stripe flannel	/R	1	M387
	944 521 002 02 NX4	Black/anthracite			
	944 521 002 02 NX5	Brown/brown			
	944 521 002 02 NX6	Light grey/light grey			
	944 521 002 02 NX7	Burgundy/burgundy			
1	944 521 001 00	Sports seat without heating Leatherette/ Centre part Porsche lettering cloth	/L	1	M383
	944 521 001 00 PX1	Black/black			
	944 521 001 00 PX3	Brown/brown			
	944 521 001 00 NX9	Light grey/light grey			
	944 521 001 00 PX5	Burgundy/burgundy			
(1)	944 521 002 00	Sports seat without heating Leatherette/ Centre part Porsche lettering cloth	/R	1	M387
	944 521 002 00 PX1	Black/black			
	944 521 002 00 PX3	Brown/brown			
	944 521 002 00 NX9	Light grey/light grey			
	944 521 002 00 PX5	Burgundy/burgundy			
(1)	944 521 001 02	Sports seat with heating Leatherette/ Centre part Porsche lettering cloth	/L	1	M383
	944 521 001 02 PX1	Black/black			
	944 521 001 02 PX3	Brown/brown			
	944 521 001 02 NX9	Light grey/light grey			
	944 521 001 02 PX5	Burgundy/burgundy			
(1)	944 521 002 02	Sports seat with heating Leatherette/ Centre part Porsche lettering cloth	/R	1	M387
	944 521 002 02 PX1	Black/black			
	944 521 002 02 PX3	Brown/brown			
	944 521 002 02 NX9	Light grey/light grey			
	944 521 002 02 PX5	Burgundy/burgundy			

Model: STZ Model life 1985>>1998

Pos	Part Number	Description	Remark	Qty	Model
1	944 521 001 50	Sports seat without heating Leatherette/leather Centre part in cloth Pin stripe velour	/L -87	1	M383
	944 521 001 50 PY1	Black/black Black-white			
	944 521 001 50 PY2	Brown/brown Brown-beige			
	944 521 001 50 PY6	Light grey/light grey Light grey-white			
	944 521 001 50 PY4	Burgundy/burgundy Burgundy-white			
	944 521 001 50 RC9	Light grey/light grey Light grey-white	86-		
(1)	944 521 002 50	Sports seat without heating Leatherette/leather Centre part in cloth Pin stripe velour	/R -87	1	M387
	944 521 002 50 PY1	Black/black Black-white			
	944 521 002 50 PY2	Brown/brown Brown-beige			
	944 521 002 50 PY6	Light grey/light grey Light grey-white			
	944 521 002 50 PY4	Burgundy/burgundy Burgundy-white			
	944 521 002 50 RC9	Light grey/light grey Light grey-white	86-		
(1)	944 521 001 55	Sports seat with heating Leatherette/leather Centre part in cloth Pin stripe velour	/L -87	1	M383
	944 521 001 55 PY1	Black/black Black-white			
	944 521 001 55 PY2	Brown/brown Brown-beige			
	944 521 001 55 PY6	Light grey/light grey Light grey-white			
	944 521 001 55 PY4	Burgundy/burgundy Burgundy-white			
	944 521 001 55 RC9	Light grey/light grey Light grey-white	86-		
(1)	944 521 002 55	Sports seat with heating Leatherette/leather Centre part in cloth Pin stripe velour	/R -87	1	M387
	944 521 002 55 PY1	Black/black Black-white			
	944 521 002 55 PY2	Brown/brown Brown-beige			
	944 521 002 55 PY6	Light grey/light grey Light grey-white			
	944 521 002 55 PY4	Burgundy/burgundy Burgundy-white			
	944 521 002 55 RC9	Light grey/light grey Light grey-white	86-		
1	944 521 001 50	Sports seat without heating Leatherette/leather	/L -87	1	M383

Model: STZ Model life 1985>>1998

Pos	Part Number	Description	Remark	Qty	Model
		Centre part in cloth Pin stripe flannel			
	944 521 001 50 PZ2	Black/black Anthracite			
	944 521 001 50 PZ3	Brown/brown Brown			
	944 521 001 50 PY8	Light grey/light grey Light grey			
	944 521 001 50 PZ5	Burgundy/burgundy Burgundy			
(1)	944 521 002 50	Sports seat without heating Leatherette/leather Centre part in cloth Pin stripe flannel	/R -87	1	M387
	944 521 002 50 PZ2	Black/black Anthracite			
	944 521 002 50 PZ3	Brown/brown Brown			
	944 521 002 50 PY8	Light grey/light grey Light grey			
	944 521 002 50 PZ5	Burgundy/burgundy Burgundy			
(1)	944 521 001 55	Sports seat with heating Leatherette/leather Centre part in cloth Pin stripe flannel	/L -87	1	M383
	944 521 001 55 PZ2	Black/black Anthracite			
	944 521 001 55 PZ3	Brown/brown Brown			
	944 521 001 55 PY8	Light grey/light grey Light grey			
	944 521 001 55 PZ5	Burgundy/burgundy Burgundy			
(1)	944 521 002 55	Sports seat with heating Leatherette/leather Centre part in cloth Pin stripe flannel	/R -87	1	M387
	944 521 002 55 PZ2	Black/black Anthracite			
	944 521 002 55 PZ3	Brown/brown Brown			
	944 521 002 55 PY8	Light grey/light grey Light grey			
	944 521 002 55 PZ5	Burgundy/burgundy Burgundy			
1	944 521 001 50	Sports seat without heating Leatherette/leather Centre part Porsche lettering cloth	/L -87	1	M383
	944 521 001 50 PZ7	Black/black Black			
	944 521 001 50 PZ8	Brown/brown Brown			
	944 521 001 50 PY7	Light grey/light grey Light grey			
	944 521 001 50 QA1	Burgundy/burgundy Burgundy			
(1)	944 521 002 50	Sports seat	/R -87	1	M387

Model: STZ Model life 1985>>1998

Pos	Part Number	Description	Remark	Qty	Model
		without heating Leatherette/leather Centre part Porsche lettering cloth			
	944 521 002 50 PZ7	Black/black Black			
	944 521 002 50 PZ8	Brown/brown Brown			
	944 521 002 50 PY7	Light grey/light grey Light grey			
	944 521 002 50 QA1	Burgundy/burgundy Burgundy			
(1)	944 521 001 55	Sports seat with heating Leatherette/leather Centre part Porsche lettering cloth	/L -87	1	M383
	944 521 001 55 PZ7	Black/black Black			
	944 521 001 55 PZ8	Brown/brown Brown			
	944 521 001 55 PY7	Light grey/light grey Light grey			
	944 521 001 55 QA1	Burgundy/burgundy Burgundy			
(1)	944 521 002 55	Sports seat with heating Leatherette/leather Centre part Porsche lettering cloth	/R -87	1	M387
	944 521 002 55 PZ7	Black/black Black			
	944 521 002 55 PZ8	Brown/brown Brown			
	944 521 002 55 PY7	Light grey/light grey Light grey			
	944 521 002 55 QA1	Burgundy/burgundy Burgundy			
2	944 521 001 01	Sports seat without heating Leatherette/ Seat and backrest surface Pin stripe velour	/L	1	M383
	944 521 001 01 NY5	Black/ Black-white			
	944 521 001 01 NY7	Brown/ Brown-beige			
	944 521 001 01 RC8	Light grey Light grey-white			
	944 521 001 01 NY8	Burgundy/ Burgundy-white			
(2)	944 521 002 01	Sports seat without heating Leatherette/ Seat and backrest surface Pin stripe velour	/R	1	M387
	944 521 002 01 NY5	Black/ Black-white			
	944 521 002 01 NY7	Brown/ Brown-beige			
	944 521 002 01 RC8	Light grey Light grey-white			
	944 521 002 01 NY8	Burgundy/ Burgundy-white			

Model: STZ Model life 1985>>1998

Pos	Part Number	Description	Remark	Qty	Model
(2)	944 521 001 03	Burgundy-white Sports seat with heating Leatherette/ Seat and backrest surface Pin stripe velour	/L	1	M383
	944 521 001 03 NY5	Black/ Black-white			
	944 521 001 03 NY7	Brown/ Brown-beige			
	944 521 001 03 RC8	Light grey Light grey-white			
	944 521 001 03 NY8	Burgundy/ Burgundy-white			
(2)	944 521 002 03	Sports seat with heating Leatherette/ Seat and backrest surface Pin stripe velour	/R	1	M387
	944 521 002 03 NY5	Black/ Black-white			
	944 521 002 03 NY7	Brown/ Brown-beige			
	944 521 002 03 RC8	Light grey Light grey-white			
	944 521 002 03 NY8	Burgundy/ Burgundy-white			
2	944 521 001 01	Sports seat without heating Leatherette/ Seat and backrest surface Pin stripe flannel	/L	1	M383
	944 521 001 01 NY9	Black/anthracite			
	944 521 001 01 NZ6	Brown/brown			
	944 521 001 01 NZ4	Light grey/light grey			
	944 521 001 01 NZ5	Burgundy/burgundy			
(2)	944 521 002 01	Sports seat without heating Leatherette/ Seat and backrest surface Pin stripe flannel	/R	1	M387
	944 521 002 01 NY9	Black/anthracite			
	944 521 002 01 NZ6	Brown/brown			
	944 521 002 01 NZ4	Light grey/light grey			
	944 521 002 01 NZ5	Burgundy/burgundy			
(2)	944 521 001 03	Sports seat with heating Leatherette/ Seat and backrest surface Pin stripe flannel	/L	1	M383
	944 521 001 03 NY9	Black/anthracite			
	944 521 001 03 NZ6	Brown/brown			
	944 521 001 03 NZ4	Light grey/light grey			
	944 521 001 03 NZ5	Burgundy/burgundy			
(2)	944 521 002 03	Sports seat with heating Leatherette/ Seat and backrest surface Pin stripe flannel	/R	1	M387
	944 521 002 03 NY9	Black/anthracite			
	944 521 002 03 NZ6	Brown/brown			
	944 521 002 03 NZ4	Light grey/light grey			
	944 521 002 03 NZ5	Burgundy/burgundy			

Model: STZ Model life 1985>>1998

Pos	Part Number	Description	Remark	Qty	Model
2	944 521 001 01	Sports seat without heating Leatherette/ Seat and backrest surface Porsche lettering cloth	/L	1	M383
	944 521 001 01 PX2	Black/black			
	944 521 001 01 PX4	Brown/brown			
	944 521 001 01 NZ3	Light grey/light grey			
	944 521 001 01 PX6	Burgundy/burgundy			
(2)	944 521 002 01	Sports seat without heating Leatherette/ Seat and backrest surface Porsche lettering cloth	/R	1	M387
	944 521 002 01 PX2	Black/black			
	944 521 002 01 PX4	Brown/brown			
	944 521 002 01 NZ3	Light grey/light grey			
	944 521 002 01 PX6	Burgundy/burgundy			
(2)	944 521 001 03	Sports seat with heating Leatherette/ Seat and backrest surface Porsche lettering cloth	/L	1	M383
	944 521 001 03 PX2	Black/black			
	944 521 001 03 PX4	Brown/brown			
	944 521 001 03 NZ3	Light grey/light grey			
	944 521 001 03 PX6	Burgundy/burgundy			
(2)	944 521 002 03	Sports seat with heating Leatherette/ Seat and backrest surface Porsche lettering cloth	/R	1	M387
	944 521 002 03 PX2	Black/black			
	944 521 002 03 PX4	Brown/brown			
	944 521 002 03 NZ3	Light grey/light grey			
	944 521 002 03 PX6	Burgundy/burgundy			
3	944 521 001 51	Sports seat without heating Leatherette/ Seat and backrest surface Leather	/L	1	M383
	944 521 001 51 JN3	Black/black			
	944 521 001 51 JN4	Brown/brown			
	944 521 001 51 NZ7	Light grey/light grey			
	944 521 001 51 NZ8	Burgundy/burgundy			
(3)	944 521 002 51	Sports seat without heating Leatherette/ Seat and backrest surface Leather	/R	1	M387
	944 521 002 51 JN3	Black/black			
	944 521 002 51 JN4	Brown/brown			
	944 521 002 51 NZ7	Light grey/light grey			
	944 521 002 51 NZ8	Burgundy/burgundy			
(3)	944 521 001 56	Sports seat with heating Leatherette/ Seat and backrest surface Leather	/L	1	M383
	944 521 001 56 JN3	Black/black			
	944 521 001 56 JN4	Brown/brown			
	944 521 001 56 NZ7	Light grey/light grey			
	944 521 001 56 NZ8	Burgundy/burgundy			

Model: STZ Model life 1985>>1998

Pos	Part Number	Description	Remark	Qty	Model
(3)	944 521 002 56	Sports seat with heating Leatherette/ Seat and backrest surface Leather	/R	1	M387
	944 521 002 56 JN3	Black/black			
	944 521 002 56 JN4	Brown/brown			
	944 521 002 56 NZ7	Light grey/light grey			
	944 521 002 56 NZ8	Burgundy/burgundy			
3	944 521 001 52	Sports seat without heating Whole-leather	/L	1	M383
	944 521 001 52 KZ2	Black			
	944 521 001 52 KZ5	Brown			
	944 521 001 52 NZ9	Light grey			
	944 521 001 52 LG7	Burgundy			
	944 521 001 52 KZ6	Can-can-red			
	944 521 001 52 LG4	Pearl white			
	944 521 001 52 LG5	Champagne			
	944 521 001 52 PZ1	Wild buffalo	-87		
(3)	944 521 002 52	Sports seat without heating Whole-leather	/R	1	M387
	944 521 002 52 KZ2	Black			
	944 521 002 52 KZ5	Brown			
	944 521 002 52 NZ9	Light grey			
	944 521 002 52 LG7	Burgundy			
	944 521 002 52 KZ6	Can-can-red			
	944 521 002 52 LG4	Pearl white			
	944 521 002 52 LG5	Champagne			
	944 521 002 52 PZ1	Wild buffalo	-87		
(3)	944 521 001 57	Sports seat with heating Whole-leather	/L	1	M383
	944 521 001 57 KZ2	Black			
	944 521 001 57 KZ5	Brown			
	944 521 001 57 NZ9	Light grey			
	944 521 001 57 LG7	Burgundy			
	944 521 001 57 KZ6	Can-can-red			
	944 521 001 57 LG4	Pearl white			
	944 521 001 57 LG5	Champagne			
	944 521 001 57 PZ1	Wild buffalo	-87		
(3)	944 521 002 57	Sports seat with heating Whole-leather	/R	1	M387
	944 521 002 57 KZ2	Black			
	944 521 002 57 KZ5	Brown			
	944 521 002 57 NZ9	Light grey			
	944 521 002 57 LG7	Burgundy			
	944 521 002 57 KZ6	Can-can-red			
	944 521 002 57 LG4	Pearl white			
	944 521 002 57 LG5	Champagne			
	944 521 002 57 PZ1	Wild buffalo	-87		
4	911 521 547 00	Screw M 10 X 20		4	
5	928 521 147 02	Cover	/L	1	
	928 521 147 02 01C	Black			
	928 521 147 02 4RB	Brown			
	928 521 147 02 9MM	Burgundy			
	928 521 147 02 8CJ	Light grey	85		
	928 521 147 02 2DJ	Light grey	86-		
(5)	928 521 148 02	Cover	/R	1	
	928 521 148 02 01C	Black			

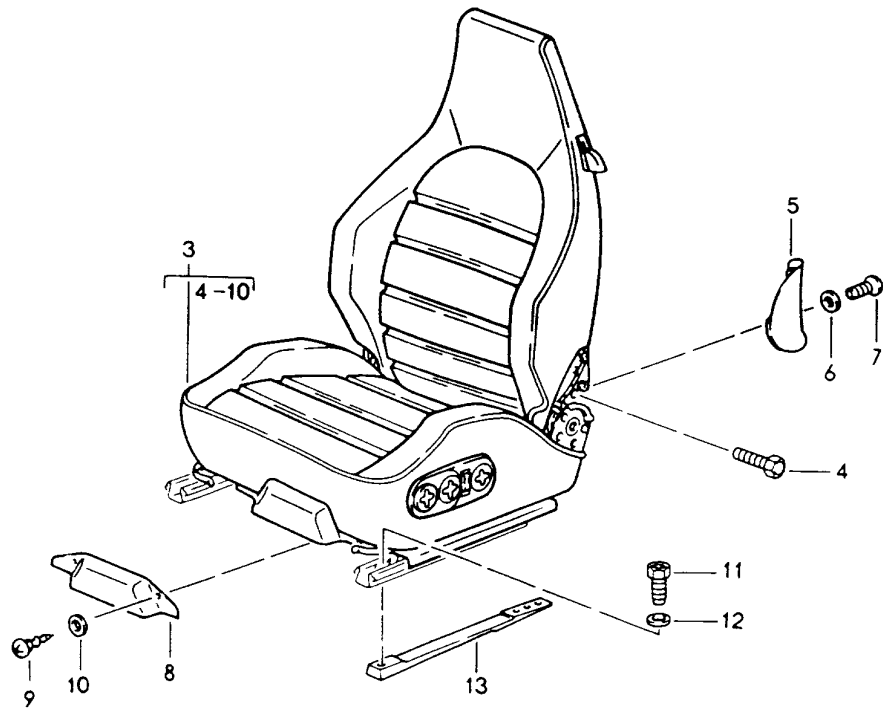
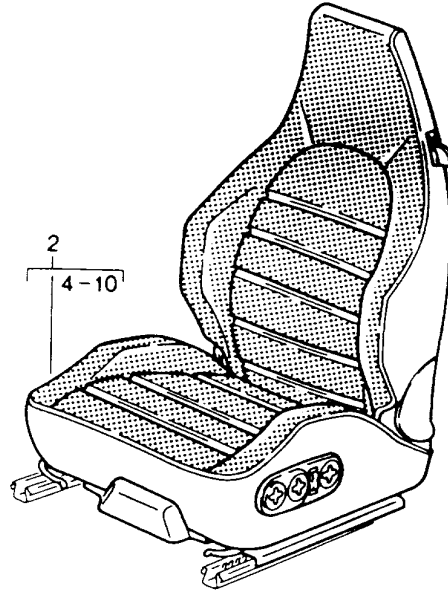
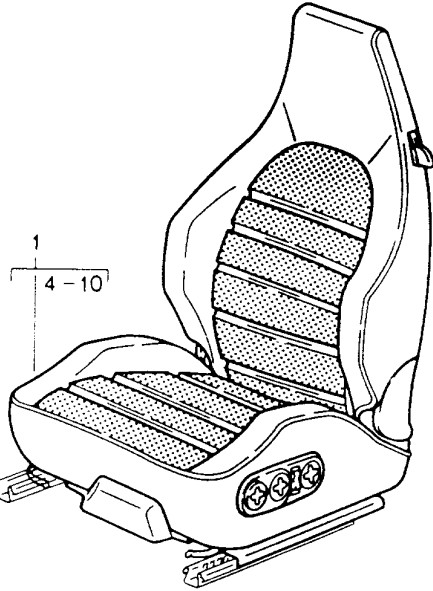
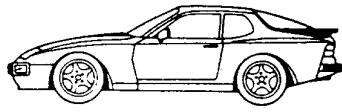


Model: STZ Model life 1985>>1998

Pos	Part Number	Description	Remark	Qty	Model
	928 521 148 02 4RB	Brown			
	928 521 148 02 9MM	Burgundy			
	928 521 148 02 8CJ	Light grey	85		
	928 521 148 02 2DJ	Light grey	86-		
6	900 025 044 07	Washer A 4,3		4	
7	900 143 113 07	Oval-head screw B 4,2 X 13		4	
7	900 143 113 0G	Oval-head screw B 4,2 X 13		4	
8	928 521 760 03	Cover	-86	2	
8	928 521 760 05	Cover	87-	2	
	928 521 760 05 01C	Satin black			
9	N 013 959 3	Oval-head sheetmetal screw B 3,5 X 16		4	
9	900 143 016 02	Oval-head sheetmetal screw B 3,5 X 16		4	
10	900 025 013 07	Washer A 3,7		4	
11	900 119 030 02	Pan-head screw M 8 X 20		12	
12	900 031 001 02	Washer 8,4		12	
12	900 031 105 01	Washer 8,4		12	

Model: STZ

Model life 1985>>1998



Model: STZ Model life 1985>>1998

Pos	Part Number	Description	Remark	Qty	Model
1	944 521 001 13	Sports seat Complete	89-91	1	944/S2 TURBO M383
		Sports seat without heating	/L		
		Leatherette/			
		Centre part in cloth			
		Pin stripe velour			
	944 521 001 13 JN1	Black/	-90		
		Black-white			
	944 521 001 13 XJ8	Blue/	-90		
		Blue-white			
	944 521 001 13 XH1	Linen/	-90		
		Linen white			
	944 521 001 13 LT2	Burgundy/	-90		
		Burgundy-white			
(1)	944 521 002 13	Sports seat without heating	/R	1	M387
		Leatherette/			
		Centre part in cloth			
		Pin stripe velour			
	944 521 002 13 JN1	Black/	-90		
		Black-white			
	944 521 002 13 XJ8	Blue/	-90		
		Blue-white			
	944 521 002 13 XH1	Linen/	-90		
		Linen white			
	944 521 002 13 LT2	Burgundy/	-90		
		Burgundy-white			
(1)	944 521 001 14	Sports seat with heating	/L	1	M383
		Leatherette/			
		Centre part in cloth			
		Pin stripe velour			
	944 521 001 14 JN1	Black/	-90		
		Black-white			
	944 521 001 14 XJ8	Blue/	-90		
		Blue-white			
	944 521 001 14 XH1	Linen/	-90		
		Linen white			
	944 521 001 14 LT2	Burgundy/	-90		
		Burgundy-white			
(1)	944 521 002 14	Sports seat with heating	/R	1	M387
		Leatherette/			
		Centre part in cloth			
		Pin stripe velour			
	944 521 002 14 JN1	Black/	-90		
		Black-white			
	944 521 002 14 XJ8	Blue/	-90		
		Blue-white			
	944 521 002 14 XH1	Linen/	-90		
		Linen white			
	944 521 002 14 LT2	Burgundy/	-90		
		Burgundy-white			
1	944 521 001 13	Sports seat without heating	/L	1	M383
		Leatherette/			
		Centre part in cloth			
		Multicolour			
	944 521 001 13 XJ1	Black/black			
	944 521 001 13 XJ4	Marine blue/marine blue	-90		
	944 521 001 13 XH5	Linen/linen	-90		
	944 521 001 13 XJ6	Burgundy/burgundy	-90		

Model: STZ Model life 1985>>1998

Pos	Part Number	Description	Remark	Qty	Model
(1)	944 521 001 13 ARC	Cobalt blue/cobalt blue	91	1	M387
	944 521 001 13 APC	Classic grey/classic grey	91		
	944 521 002 13	Sports seat without heating Leatherette/ Centre part in cloth Multicolour	/R		
	944 521 002 13 XJ1	Black/black			
	944 521 002 13 XJ4	Marine blue/marine blue	-90		
	944 521 002 13 XH5	Linen/linen	-90		
(1)	944 521 002 13 XJ6	Burgundy/burgundy	-90	1	M383
	944 521 002 13 ARC	Cobalt blue/cobalt blue	91		
	944 521 002 13 APC	Classic grey/classic grey	91		
	944 521 001 14	Sports seat with heating Leatherette/ Centre part in cloth Multicolour	/L		
	944 521 001 14 XJ1	Black/black			
	944 521 001 14 XJ4	Marine blue/marine blue	-90		
(1)	944 521 001 14 XH5	Linen/linen	-90	1	M387
	944 521 001 14 XJ6	Burgundy/burgundy	-90		
	944 521 001 14 ARC	Cobalt blue/cobalt blue	91		
	944 521 001 14 APC	Classic grey/classic grey	91		
	944 521 002 14	Sports seat with heating Leatherette/ Centre part in cloth Multicolour	/R		
	944 521 002 14 XJ1	Black/black			
1	944 521 002 14 XJ4	Marine blue/marine blue	-90	1	M383
	944 521 002 14 XH5	Linen/linen	-90		
	944 521 002 14 XJ6	Burgundy/burgundy	-90		
	944 521 002 14 ARC	Cobalt blue/cobalt blue	91		
	944 521 002 14 APC	Classic grey/classic grey	91		
	944 521 001 13	Sports seat without heating Leatherette/ Centre part Porsche lettering cloth	/L		
	944 521 001 13 PX1	Black/black			
	944 521 001 13 XJ9	Marine blue/blue	-90		
	944 521 001 13 XH3	Linen/linen	-90		
	944 521 001 13 PX5	Burgundy/burgundy	-90		
	944 521 001 13 ARA	Cobalt blue/cobalt blue	91		
944 521 001 13 APA	Classic grey/classic grey	91			
-	TPC 000 000 00	Cloth by the running meter	91	1	
	TPC 000 000 00 6WC	PORSCHE logo Classic grey Running meter			
(1)	944 521 002 13	Sports seat without heating Leatherette/ Centre part Porsche lettering cloth	/R	1	M387
-	944 521 002 13 PX1	Black/black		1	
	944 521 002 13 XJ9	Marine blue/blue	-90		
	944 521 002 13 XH3	Linen/linen	-90		
	944 521 002 13 PX5	Burgundy/burgundy	-90		
	944 521 002 13 ARA	Cobalt blue/cobalt blue	91		
	944 521 002 13 APA	Classic grey/classic grey	91		
-	TPC 000 000 00	Cloth by the running meter	91	1	
	TPC 000 000 00 6WC	PORSCHE logo			

Model: STZ Model life 1985&gt;&gt;1998

Pos	Part Number	Description	Remark	Qty	Model
(1)	944 521 001 14	Classic grey Running meter Sports seat with heating Leatherette/ Centre part Porsche lettering cloth	/L	1	M383
	944 521 001 14 PX1	Black/black			
	944 521 001 14 XJ9	Marine blue/blue	-90		
	944 521 001 14 XH3	Linen/linen	-90		
	944 521 001 14 PX5	Burgundy/burgundy	-90		
	944 521 001 14 ARA	Cobalt blue/cobalt blue	91		
	944 521 001 14 APA	Classic grey/classic grey	91		
-	TPC 000 000 00	Cloth by the running meter	91	1	
	TPC 000 000 00 6WC	PORSCHE logo			
(1)	944 521 002 14	Classic grey Running meter Sports seat with heating Leatherette/ Centre part Porsche lettering cloth	/R	1	M387
	944 521 002 14 PX1	Black/black			
	944 521 002 14 XJ9	Marine blue/blue	-90		
	944 521 002 14 XH3	Linen/linen	-90		
	944 521 002 14 PX5	Burgundy/burgundy	-90		
	944 521 002 14 ARA	Cobalt blue/cobalt blue	91		
	944 521 002 14 APA	Classic grey/classic grey	91		
-	TPC 000 000 00	Cloth by the running meter	91	1	
	TPC 000 000 00 6WC	PORSCHE logo			
2	944 521 001 04	Classic grey Running meter Sports seat without heating Leatherette/ Seat and backrest surface Pin stripe velour	/L	1	M383
	944 521 001 04 NY5	Black/ Black-white	-90		
	944 521 001 04 TR7	Blue/ Blue-white	-90		
	944 521 001 04 XK2	Linen/ Linen white	-90		
	944 521 001 04 NY8	Burgundy/ Burgundy-white	-90		
(2)	944 521 002 04	Classic grey Running meter Sports seat without heating Leatherette/ Seat and backrest surface Pin stripe velour	/R	1	M387
	944 521 002 04 NY5	Black/ Black-white	-90		
	944 521 002 04 TR7	Blue/ Blue-white	-90		
	944 521 002 04 XK2	Linen/ Linen white	-90		
	944 521 002 04 NY8	Burgundy/ Burgundy-white	-90		
(2)	944 521 001 05	Classic grey Running meter Sports seat with heating Leatherette/ Seat and backrest surface Pin stripe velour	/L	1	M383

Model: STZ Model life 1985>>1998

Pos	Part Number	Description	Remark	Qty	Model
	944 521 001 05 NY5	Black/ Black-white	-90		
	944 521 001 05 TR7	Blue/ Blue-white	-90		
	944 521 001 05 XK2	Linen/ Linen white	-90		
	944 521 001 05 NY8	Burgundy/ Burgundy-white	-90		
(2)	944 521 002 05	Sports seat with heating Leatherette/ Seat and backrest surface Pin stripe velour	/R	1	M387
	944 521 002 05 NY5	Black/ Black-white	-90		
	944 521 002 05 TR7	Blue/ Blue-white	-90		
	944 521 002 05 XK2	Linen/ Linen white	-90		
	944 521 002 05 NY8	Burgundy/ Burgundy-white	-90		
2	944 521 001 04	Sports seat without heating Leatherette/ Seat and backrest surface Multicolour	/L	1	M383
	944 521 001 04 XK8	Black/black			
	944 521 001 04 XN1	Marine blue/marine blue	-90		
	944 521 001 04 XK4	Linen/linen	-90		
	944 521 001 04 XN2	Burgundy/burgundy	-90		
	944 521 001 04 AQV	Cobalt blue/cobalt blue	91		
	944 521 001 04 AQP	Classic grey/classic grey	91		
(2)	944 521 002 04	Sports seat without heating Leatherette/ Seat and backrest surface Multicolour	/R	1	M387
	944 521 002 04 XK8	Black/black			
	944 521 002 04 XN1	Marine blue/marine blue	-90		
	944 521 002 04 XK4	Linen/linen	-90		
	944 521 002 04 XN2	Burgundy/burgundy	-90		
	944 521 002 04 AQV	Cobalt blue/cobalt blue	91		
	944 521 002 04 AQP	Classic grey/classic grey	91		
(2)	944 521 001 05	Sports seat with heating Leatherette/ Seat and backrest surface Multicolour	/L	1	M383
	944 521 001 05 XK8	Black/black			
	944 521 001 05 XN1	Marine blue/marine blue	-90		
	944 521 001 05 XK4	Linen/linen	-90		
	944 521 001 05 XN2	Burgundy/burgundy	-90		
	944 521 001 05 AQV	Cobalt blue/cobalt blue	91		
	944 521 001 05 AQP	Classic grey/classic grey	91		
(2)	944 521 002 05	Sports seat with heating Leatherette/ Seat and backrest surface Multicolour	/R	1	M387
	944 521 002 05 XK8	Black/black			
	944 521 002 05 XN1	Marine blue/marine blue	-90		
	944 521 002 05 XK4	Linen/linen	-90		
	944 521 002 05 XN2	Burgundy/burgundy	-90		

Model: STZ Model life 1985>>1998

Pos	Part Number	Description	Remark	Qty	Model		
2	944 521 002 05 AQP	Cobalt blue/cobalt blue	91	1	M383		
	944 521 002 05 AQP	Classic grey/classic grey	91				
	944 521 001 04	Sports seat without heating Leatherette/ Seat and backrest surface Porsche lettering cloth	/L				
	944 521 001 04 PX2	Black/black					
	944 521 001 04 TR9	Marine blue/blue	-90				
	944 521 001 04 XK3	Linen/linen	-90				
	944 521 001 04 PX6	Burgundy/burgundy	-90				
	944 521 001 04 ARM	Cobalt blue/cobalt blue	91				
	944 521 001 04 APM	Classic grey/classic grey	91				
	-	TPC 000 000 00	Cloth by the running meter			91	
-	TPC 000 000 00 6WC	PORSCHE logo Classic grey Running meter					
(2)	944 521 002 04	Sports seat without heating Leatherette/ Seat and backrest surface Porsche lettering cloth	/R	1	M387		
-	944 521 002 04 PX2	Black/black		1			
-	944 521 002 04 TR9	Marine blue/blue	-90				
-	944 521 002 04 XK3	Linen/linen	-90				
-	944 521 002 04 PX6	Burgundy/burgundy	-90				
-	944 521 002 04 ARM	Cobalt blue/cobalt blue	91				
-	944 521 002 04 APM	Classic grey/classic grey	91				
-	TPC 000 000 00	Cloth by the running meter	91				
-	TPC 000 000 00 6WC	PORSCHE logo Classic grey Running meter					
(2)	944 521 001 05	Sports seat with heating Leatherette/ Seat and backrest surface Porsche lettering cloth	/L				
-	944 521 001 05 PX2	Black/black				1	
-	944 521 001 05 TR9	Marine blue/blue	-90				
-	944 521 001 05 XK3	Linen/linen	-90				
-	944 521 001 05 PX6	Burgundy/burgundy	-90				
-	944 521 001 05 ARM	Cobalt blue/cobalt blue	91				
-	944 521 001 05 APM	Classic grey/classic grey	91				
-	TPC 000 000 00	Cloth by the running meter	91				
-	TPC 000 000 00 6WC	PORSCHE logo Classic grey Running meter					
(2)	944 521 002 05	Sports seat with heating Leatherette/ Seat and backrest surface Porsche lettering cloth	/R				
-	944 521 002 05 PX2	Black/black		1			
-	944 521 002 05 TR9	Marine blue/blue	-90				
-	944 521 002 05 XK3	Linen/linen	-90				
-	944 521 002 05 PX6	Burgundy/burgundy	-90				
-	944 521 002 05 ARM	Cobalt blue/cobalt blue	91				
-	944 521 002 05 APM	Classic grey/classic grey	91				
-	TPC 000 000 00	Cloth by the running meter	91				
-	TPC 000 000 00 6WC	PORSCHE logo Classic grey Running meter					
3	944 521 001 62	Sports seat	/L			1	M383

Model: STZ Model life 1985>>1998

Pos	Part Number	Description	Remark	Qty	Model
		without heating Leatherette/ Seat and backrest surface Leather			
	944 521 001 62 JN3	Black/black			
	944 521 001 62 TW2	Linen/linen	-90		
	944 521 001 62 NZ8	Burgundy/burgundy	-90		
	944 521 001 62 TS2	Marine blue/marine blue	-90		
	944 521 001 62 ARK	Cobalt blue/cobalt blue	91		
	944 521 001 62 APK	Classic grey/classic grey	91		
(3)	944 521 002 62	Sports seat without heating Leatherette/ Seat and backrest surface Leather	/R	1	M387
	944 521 002 62 JN3	Black/black			
	944 521 002 62 TW2	Linen/linen	-90		
	944 521 002 62 NZ8	Burgundy/burgundy	-90		
	944 521 002 62 TS2	Marine blue/marine blue	-90		
	944 521 002 62 ARK	Cobalt blue/cobalt blue	91		
	944 521 002 62 APK	Classic grey/classic grey	91		
(3)	944 521 001 66	Sports seat with heating Leatherette/ Seat and backrest surface Leather	/L	1	M383
	944 521 001 66 JN3	Black/black			
	944 521 001 66 TW2	Linen/linen	-90		
	944 521 001 66 NZ8	Burgundy/burgundy	-90		
	944 521 001 66 TS2	Marine blue/marine blue	-90		
	944 521 001 66 ARK	Cobalt blue/cobalt blue	91		
	944 521 001 66 APK	Classic grey/classic grey	91		
(3)	944 521 002 66	Sports seat with heating Leatherette/ Seat and backrest surface Leather	/R	1	M387
	944 521 002 66 JN3	Black/black			
	944 521 002 66 TW2	Linen/linen	-90		
	944 521 002 66 NZ8	Burgundy/burgundy	-90		
	944 521 002 66 TS2	Marine blue/marine blue	-90		
	944 521 002 66 ARK	Cobalt blue/cobalt blue	91		
	944 521 002 66 APK	Classic grey/classic grey	91		
3	944 521 001 60	Sports seat without heating Whole-leather	/L	1	M383
	944 521 001 60 KZ2	Black			
	944 521 001 60 TW1	Linen	-90		
	944 521 001 60 LG7	Burgundy	-90		
	944 521 001 60 TS1	Marine blue	-90		
	944 521 001 60 ARL	Cobalt blue	91		
	944 521 001 60 APL	Classic grey	91		
(3)	944 521 002 60	Sports seat without heating Whole-leather	/R	1	M387
	944 521 002 60 KZ2	Black			
	944 521 002 60 TW1	Linen	-90		
	944 521 002 60 LG7	Burgundy	-90		
	944 521 002 60 TS1	Marine blue	-90		
	944 521 002 60 ARL	Cobalt blue	91		
	944 521 002 60 APL	Classic grey	91		
(3)	944 521 001 64	Sports seat with heating	/L	1	M383

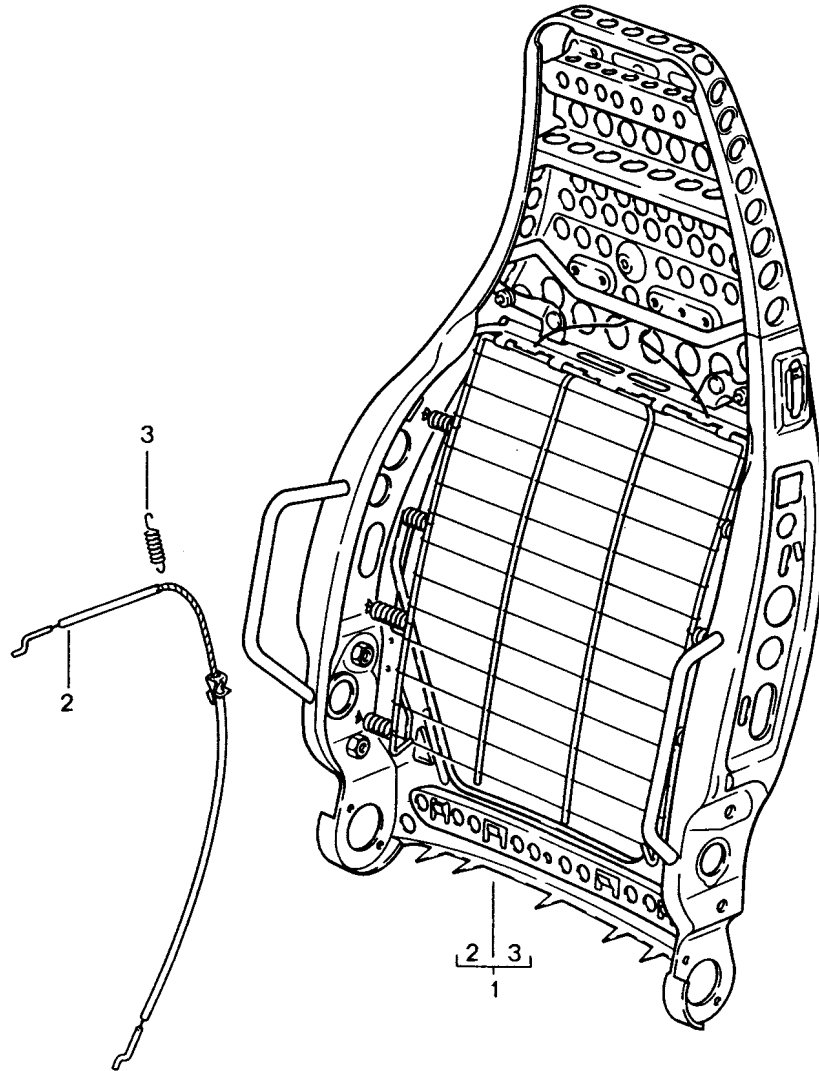
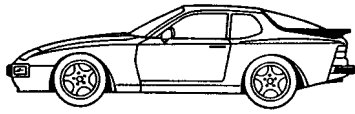


Model: STZ Model life 1985>>1998

Pos	Part Number	Description	Remark	Qty	Model
		Whole-leather			
	944 521 001 64 KZ2	Black			
	944 521 001 64 TW1	Linen	-90		
	944 521 001 64 LG7	Burgundy	-90		
	944 521 001 64 TS1	Marine blue	-90		
	944 521 001 64 ARL	Cobalt blue	91		
	944 521 001 64 APL	Classic grey	91		
(3)	944 521 002 64	Sports seat with heating Whole-leather	/R	1	M387
	944 521 002 64 KZ2	Black			
	944 521 002 64 TW1	Linen	-90		
	944 521 002 64 LG7	Burgundy	-90		
	944 521 002 64 TS1	Marine blue	-90		
	944 521 002 64 ARL	Cobalt blue	91		
	944 521 002 64 APL	Classic grey	91		
4	911 521 547 00	Screw M 10 X 20		4	
5	928 521 147 02	Cover	/L	1	
	928 521 147 02 01C	Black			
	928 521 147 02 9JJ	Marine blue	-90		
	928 521 147 02 9MM	Burgundy	-90		
	928 521 147 02 7XJ	Linen	-90		
	928 521 147 02 6ZF	Cobalt blue	91		
	928 521 147 02 4XC	Classic grey	91		
(5)	928 521 148 02	Cover	/R	1	
	928 521 148 02 01C	Black			
	928 521 148 02 9JJ	Marine blue	-90		
	928 521 148 02 9MM	Burgundy	-90		
	928 521 148 02 7XJ	Linen	-90		
	928 521 148 02 6ZF	Cobalt blue	91		
	928 521 148 02 4XC	Classic grey	91		
(6)	900 025 044 07	Washer A 4,3		4	
7	900 143 113 07	Oval-head screw B 4,2 X 13		4	
7	900 143 113 0G	Oval-head screw B 4,2 X 13		4	
8	928 521 760 05	Cover		2	
	928 521 760 05 01C	Satin black			
9	900 143 113 07	Oval-head screw 4,2 X 13		4	
9	900 143 113 0G	Oval-head screw 4,2 X 13		4	
10	900 025 044 07	Washer A 4,3		4	
-	N 100 472 01	Speed nut ST. 3,9		4	
11	900 119 030 02	Pan-head screw M 8 X 20		12	
12	900 089 006 02	Washer 8		12	
12	900 089 006 01	Washer 8		12	
13	944 521 547 00	Base wedge Vertical seat adjustment		X	

Model: STZ

Model life 1985>>1998

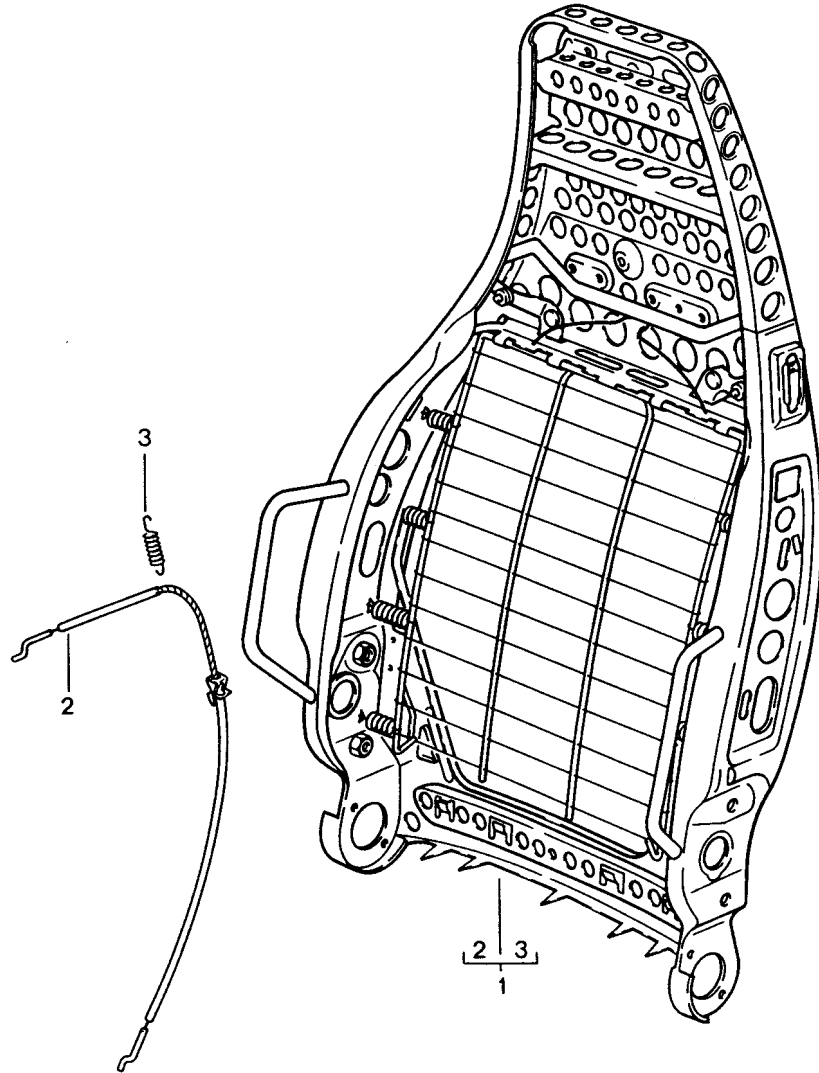
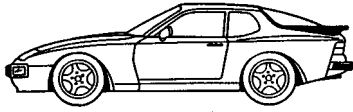


**Model: STZ**                      **Model life 1985>>1998**

Pos	Part Number	Description	Remark	Qty	Model
		Backrest frame	-88		944/S
		Sports seat			TURBO/S
1	944 521 027 01	Backrest frame		2	
2	928 521 093 02	Bowden cable		2	
3	311 881 287 A	Tension spring		2	
		Actuating lever			

Model: STZ

Model life 1985>>1998

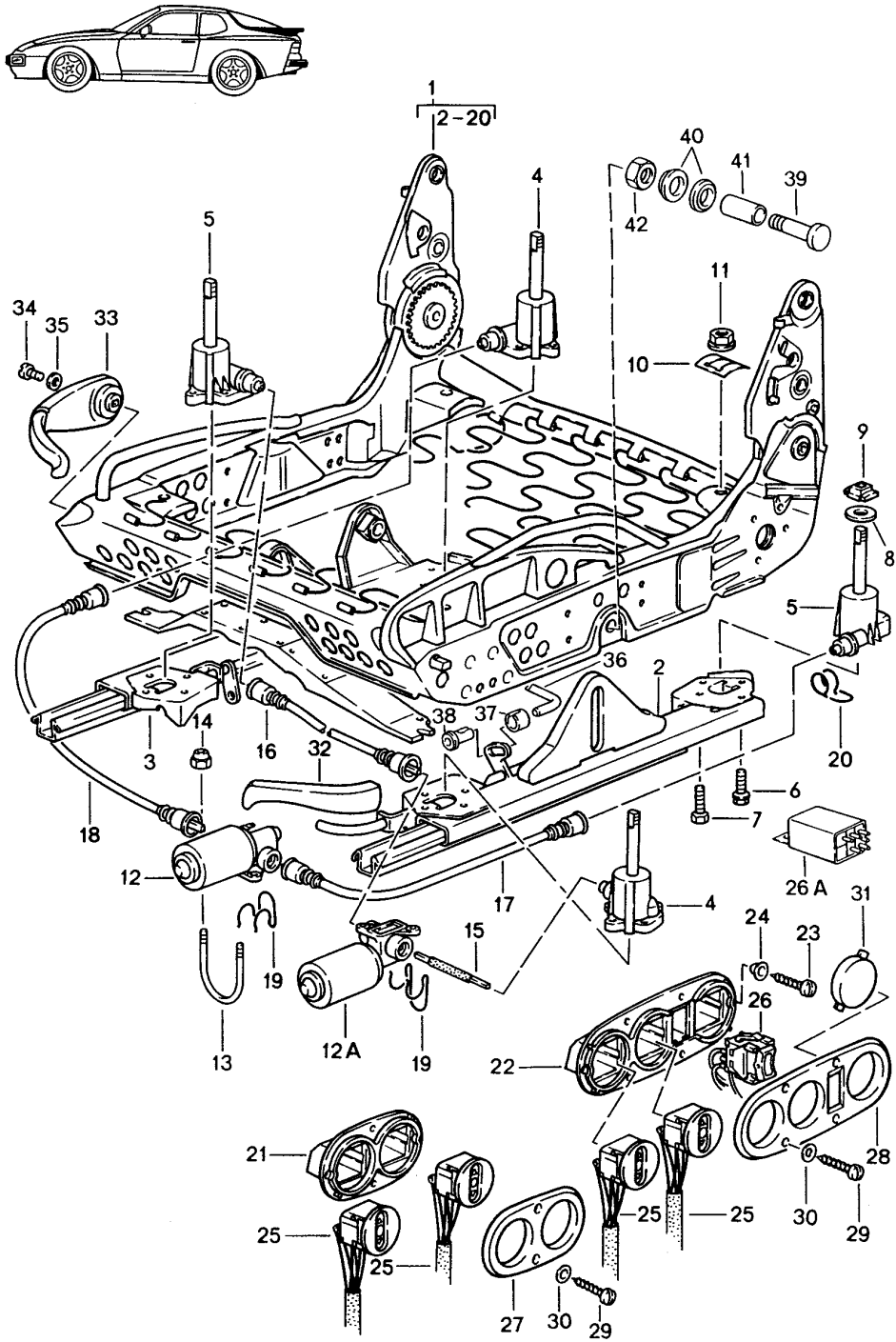


Model: STZ Model life 1985>>1998

Pos	Part Number	Description	Remark	Qty	Model
		Backrest frame	89-91		944/S2
		Sports seat			TURBO
1	944 521 027 01	Backrest frame		2	
2	928 521 093 02	Bowden cable		2	
3	311 881 287 A	Tension spring		2	
		Actuating lever			

Model: STZ

Model life 1985>>1998



Model: STZ Model life 1985>>1998

Pos	Part Number	Description	Remark	Qty	Model
		Seat frame	-88		944/S
		Sports seat			TURBO/S
1	993 521 069 02	Seat frame	/L	1	
(1)	993 521 070 02	Seat frame	/R	1	
2	928 521 489 11	Seat rail		1	
		Left seat			
		Outer			
(2)	928 521 490 11	Seat rail		1	
		Right seat			
		Outer			
(3)	964 521 491 00	Seat rail		1	
		Right seat			
		Inner			
(3)		Seat rail		1	
		Right seat			
		Inner			
(3)	964 521 492 00	Seat rail		1	
		Left seat			
		Inner			
(3)		Seat rail		1	
		Left seat			
		Inner			
4	928 521 721 03	Lifting gear		4	
		Left front, right rear			
5	928 521 722 03	Lifting gear		4	
		Right front, left rear			
6	999 217 033 01	Locking screw		10	
		M 6 X 16			
7	900 186 032 02	Pan-head screw		4	
		M 6 X 12			
8	999 025 129 40	Washer		8	
9	928 521 727 02	Slide		8	
10	928 521 723 02	Guide spring		8	
11	928 521 730 02	Nut		8	
12	928 624 126 01	Geared motor		2	
		Rear vertical adjustment			
12A		Geared motor		2	
		Front vertical adjustment			
13	999 222 001 02	Stirrup bolt	-86	4	
		M 4			
(13)	928 521 033 02	Engine support	87-	2	
14	900 910 006 02	Lock nut	-86	8	
		M 4			
14	900 084 020 01	Lock nut		8	
		M 4			
15	928 521 671 03	Shaft	/L	2	
		Front vertical adjustment			
16	928 521 672 02	Pliable shaft	/R -86	2	
		Front vertical adjustment			
16	928 521 672 03	Shaft	/R 87-	2	
		Front vertical adjustment			
17	928 521 673 05	Flexible shaft	/L	2	
		Rear vertical adjustment			
18	928 521 674 02	Pliable shaft	/R -86	2	
		Rear vertical adjustment			
18	928 521 674 05	Flexible shaft	/R 87-	2	
		Rear vertical adjustment			
18	928 521 674 06	Flexible shaft	/R 87-	2	
		Rear vertical adjustment			
19	928 521 675 02	Moulded spring		4	
20	928 521 699 00	Moulded spring		6	
21	928 521 559 04	Switch insert		2	
22	928 521 559 02	Switch insert	/L	1	

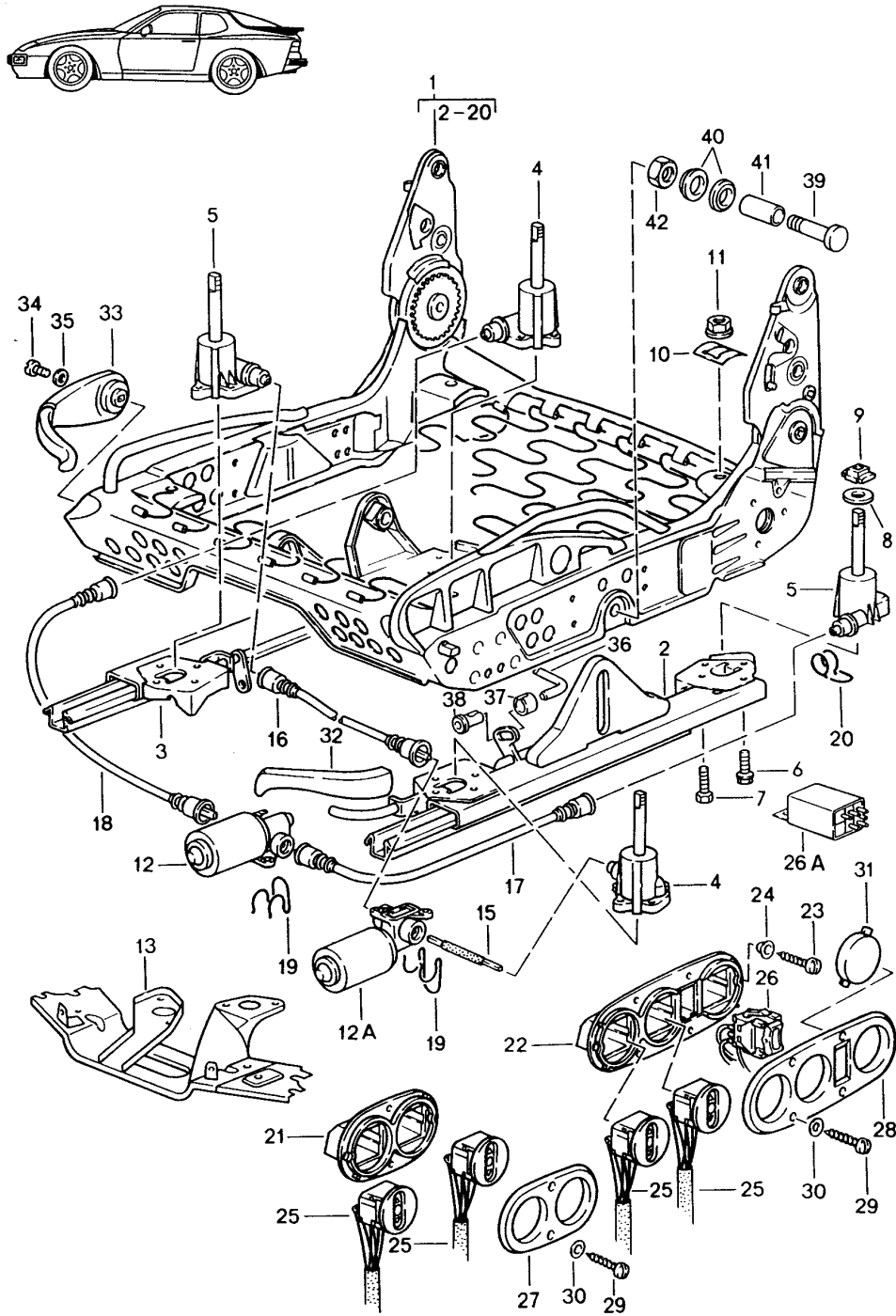
Model: STZ Model life 1985>>1998

Pos	Part Number	Description	Remark	Qty	Model
(22)	928 521 560 02	Seat heater Switch insert	/R	1	
23	N 013 988 1	Seat heater Counters. head tapp. screw B 3,5 X 16		4	
24	999 591 849 07	Washer		4	
25	928 613 181 00	Switch Height adjustment Front and rear		4	
26	928 613 187 01	Switch Seat heater	/L -86	1	
26	928 613 187 02	Switch Seat heater	/L 87-	1	
(26)	928 613 187 02 01C	Satin black			
(26)	928 613 188 01	Switch Seat heater	/R -86	1	
(26)	928 613 188 02	Switch Seat heater	/R 87-	1	
26A	928 613 188 02 01C	Satin black			
	928 618 521 00	Relay Seat heater	-88	2	
27	928 521 561 04	Trim for switch		2	
	928 521 561 04 01C	Satin black			
28	928 521 561 03	Trim for switch Seat heater		2	
	928 521 561 03 01C	Satin black			
29	N 013 959 3	Oval-head sheetmetal screw B 3,5 X 16		X	
29	900 143 016 02	Oval-head sheetmetal screw B 3,5 X 16		X	
30	900 025 013 07	Washer A 3,7		X	
31	928 613 425 00	Cover Seat heater		X	
(32)	911 521 533 01	Handle for longitudinal adjustment		2	
	911 521 533 01 01C	Satin black			
(33)	964 521 073 00	Lever for backrest adjustment		2	
	964 521 073 00 01C	Satin black			
(33)	964 521 073 01	Lever for backrest adjustment		2	
	964 521 073 01 01C	Black			
34	900 119 011 07	Pan-head screw M 5 X 10		2	
35	900 031 006 07	Washer 5,3		2	
36	928 521 525 03	Connecting rod for longitudinal adjustment		2	
37	N 902 514 01	Clamping sleeve for longitudinal adjustment		4	
38	N 902 515 01	Guide bush for longitudinal adjustment		4	
39	928 521 681 02	Bolt		4	
40	928 521 683 02	Washer 1,5 PA 6		8	
41	928 521 685 02	Bush		4	
42	900 034 003 02	Hexagon nut M 10		4	



Model: STZ

Model life 1985>>1998



Model: STZ Model life 1985>>1998

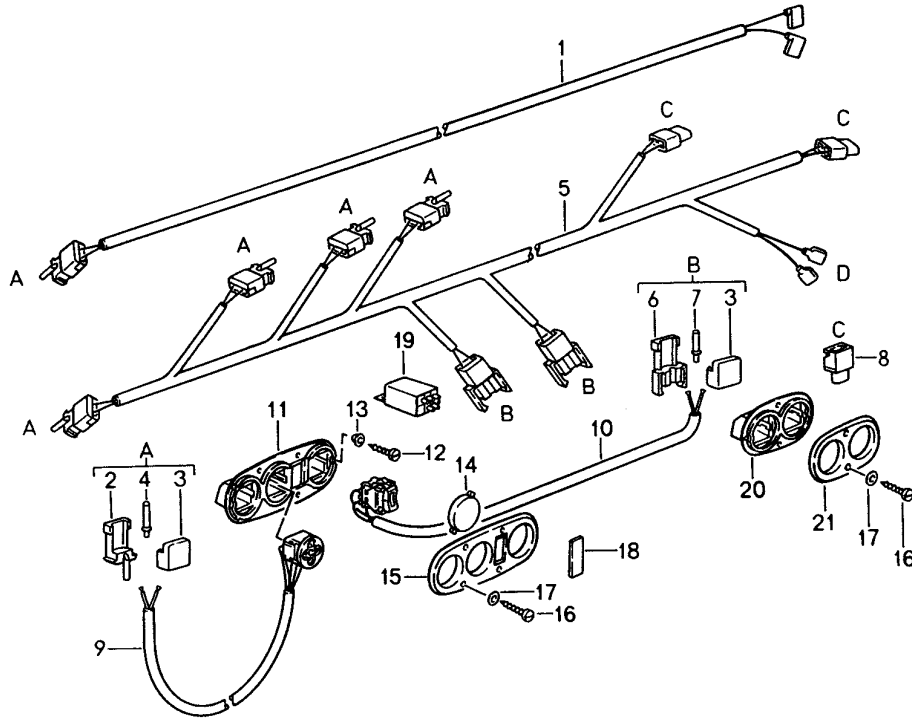
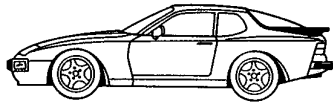
Pos	Part Number	Description	Remark	Qty	Model
		Seat frame	89-91		944/S2
		Sports seat			TURBO
		Elect. vertical adjustment			
1	993 521 069 02	Seat frame	/L	1	
(1)	993 521 070 02	Seat frame	/R	1	
2	928 521 489 11	Seat rail		1	
		Left seat			
		Outer			
(2)	928 521 490 11	Seat rail		1	
		Right seat			
		Outer			
(3)	964 521 491 00	Seat rail		1	
		Right seat			
		Inner			
(3)		Seat rail		1	
		Right seat			
		Inner			
3	964 521 492 00	Seat rail		1	
		Left seat			
		Inner			
(3)		Seat rail		1	
		Left seat			
		Inner			
4	928 521 721 03	Lifting gear		4	
		Left front, right rear			
5	928 521 722 03	Lifting gear		4	
		Right front, left rear			
6	999 217 033 01	Locking screw		10	
		M 6 X 16			
7	900 186 032 02	Pan-head screw		4	
		M 6 X 12			
8	999 025 129 40	Washer		8	
9	928 521 727 02	Slide		8	
10	928 521 723 02	Guide spring		8	
11	928 521 730 02	Nut		8	
12	928 624 126 01	Geared motor		2	
		Rear vertical adjustment			
12A		Geared motor		2	
		Front vertical adjustment			
13	928 521 033 02	Engine support		2	
15	928 521 671 03	Shaft	/L	2	
		Front vertical adjustment			
16	928 521 672 03	Shaft	/R	2	
		Front vertical adjustment			
17	928 521 673 05	Flexible shaft	/L	2	
		Rear vertical adjustment			
18	928 521 674 05	Flexible shaft	/R	2	
		Rear vertical adjustment			
18	928 521 674 06	Flexible shaft	/R	2	
		Rear vertical adjustment			
19	928 521 675 02	Moulded spring		4	
20	928 521 699 00	Moulded spring		6	
21	928 521 559 04	Switch insert		2	
22	928 521 559 02	Switch insert	/L	1	
		Seat heater			
(22)	928 521 560 02	Switch insert	/R	1	
		Seat heater			
23	N 013 988 1	Counters. head tapp. screw		4	
		B 3,5 X 16			
24	999 591 849 07	Washer		4	
25	928 613 181 00	Switch		4	
		Height adjustment			
		Front and rear			

Model: STZ Model life 1985&gt;&gt;1998

Pos	Part Number	Description	Remark	Qty	Model
26	928 613 187 04	Switch Seat heater		2	
	928 613 187 04 01C	Satin black			
26A	928 618 521 03	Control unit Seat heater		2	
27	928 521 561 04	Trim for switch		2	
	928 521 561 04 01C	Satin black			
28	928 521 561 03	Trim for switch Seat heater		2	
	928 521 561 03 01C	Satin black			
29	N 013 959 3	Oval-head sheetmetal screw B 3,5 X 16		X	
29	900 143 016 02	Oval-head sheetmetal screw B 3,5 X 16		X	
30	900 025 013 07	Washer A 3,7		X	
31	928 613 425 00	Cover Seat heater		X	
(32)	911 521 533 01	Handle for longitudinal adjustment		2	
	911 521 533 01 01C	Satin black			
(33)	964 521 073 00	Lever for backrest adjustment		2	
	964 521 073 00 01C	Satin black			
(33)	964 521 073 01	Lever for backrest adjustment		2	
	964 521 073 01 01C	Black			
34	900 119 011 07	Pan-head screw M 5 X 10		2	
35	900 031 006 07	Washer 5,3		2	
36	928 521 525 03	Connecting rod for longitudinal adjustment		2	
37	N 902 514 01	Clamping sleeve for longitudinal adjustment		4	
38	N 902 515 01	Guide bush for longitudinal adjustment		4	
39	928 521 681 02	Bolt		4	
40	928 521 683 02	Washer 1,5 PA 6		8	
41	928 521 685 02	Bush		4	
42	900 034 003 02	Hexagon nut M 10		4	

Model: STZ

Model life 1985>>1998

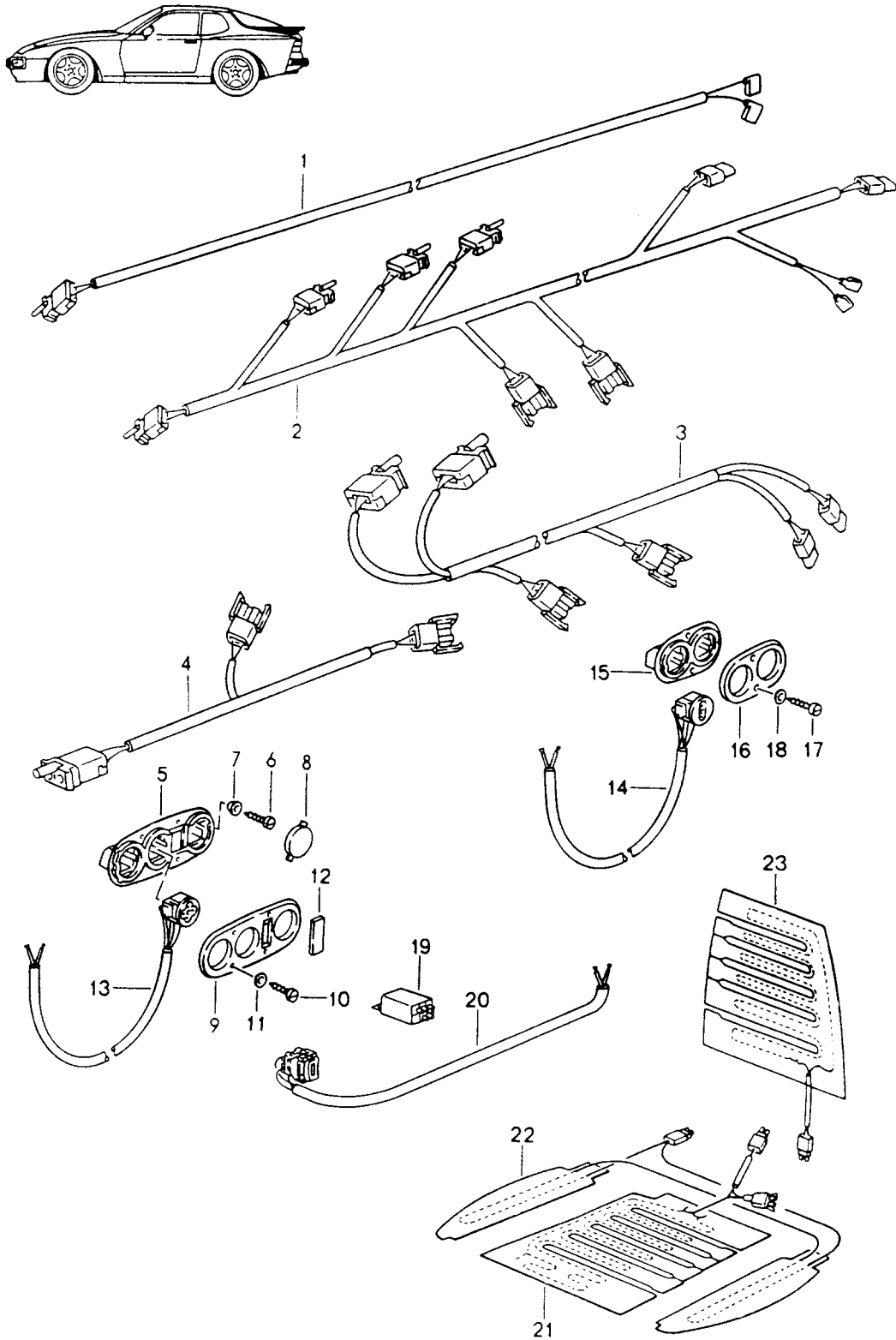


Model: STZ Model life 1985>>1998

Pos	Part Number	Description	Remark	Qty	Model
		Wiring harnesses	-88		944/S
		Switch			TURBO/S
1	928 612 343 00	Front seat		2	
		Connecting line			
		for backrest adjustment			
2	999 652 368 40	Connector housing		X	
3	999 652 372 40	Clip		X	
4	999 652 369 12	Pin		X	
5	928 612 337 00	Wiring harness		2	
		for backrest adjustment			
		Lumbar support adjustment			
		And			
		Seat heater			
6	999 652 370 40	Connector housing		X	
7	999 652 371 12	Contact bush		X	
8	928 612 557 00	Connector housing		X	
(9)	928 613 181 00	Switch		4	M379/380
		Height adjustment			
		Front and rear			
9	928 613 182 00	Switch		2	M437/438
		for longitudinal adjustment			
		Front vertical adjustment			
(9)	928 613 183 00	Switch		2	M437/438
		for backrest adjustment			
		Rear vertical adjustment			
(9)	928 613 184 00	Switch		2	
		Lumbar support adjustment			
	928 613 184 00 01C	Satin black			
10	928 613 187 02	Switch	/L	1	
		Seat heater			
	928 613 187 02 01C	Satin black			
(10)	928 613 188 02	Switch	/R	1	
		Seat heater			
	928 613 188 02 01C	Satin black			
11	928 521 559 02	Switch insert	/L	1	
		Seat heater			
		Lumbar support adjustment			
(11)	928 521 560 02	Switch insert	/R	1	
		Seat heater			
		Lumbar support adjustment			
12	N 013 988 1	Counters. head tapp. screw		4	
		B 3,5 X 16			
13	999 591 849 07	Washer		4	
14	928 613 425 00	Cover		X	
15	928 521 561 03	Trim for switch		2	
		Seat heater			
		Lumbar support adjustment			
	928 521 561 03 01C	Satin black			
16	N 013 959 3	Oval-head sheetmetal screw		X	
		B 3,5 X 16			
16	900 143 016 02	Oval-head sheetmetal screw		X	
		B 3,5 X 16			
17	900 025 013 07	Washer		X	
		A 3,7			
(18)	944 613 259 02	Cover		X	
	944 613 259 02 1DB	Satin black			
19	928 618 521 00	Relay	-88	2	
		Seat heater			
20	928 521 559 04	Switch insert		2	
21	928 521 561 04	Trim for switch		2	
	928 521 561 04 01C	Satin black			

Model: STZ

Model life 1985>>1998



Model: STZ Model life 1985>>1998

Pos	Part Number	Description	Remark	Qty	Model
		Wiring harnesses	89-91		944/S2
		Switch			TURBO
		Seat heater			
1	928 612 343 00	Front seat		2	
		Connecting line			
		for backrest adjustment			
2	928 612 337 00	Wiring harness		2	
		for backrest adjustment			
		Lumbar support adjustment			
		And			
		Seat heater			
3	928 612 338 00	Wiring harness		2	
		for backrest adjustment			
		And			
		Seat heater			
4	928 612 340 00	Wiring harness		2	
		Seat heater			
5	928 521 559 02	Switch insert	/L	1	M139/513
		Seat heater			
		Lumbar support adjustment			
(5)	928 521 560 02	Switch insert	/R	1	M340/586
		Seat heater			
		Lumbar support adjustment			
6	N 013 988 1	Counters. head tapp. screw		4	
		B 3,5 X 16			
7	999 591 849 07	Washer		4	
8	928 613 425 00	Cover		X	
9	928 521 561 03	Trim for switch		2	
		Seat heater			
		Lumbar support adjustment			
	928 521 561 03 01C	Satin black			
10	N 013 959 3	Oval-head sheetmetal screw		4	
		B 3,5 X 16			
10	900 143 016 02	Oval-head sheetmetal screw		4	
		B 3,5 X 16			
11	900 025 013 07	Washer		4	
		A 3,7			
(12)	944 613 259 02	Cover		X	
	944 613 259 02 1DB	Satin black			
13	928 613 182 00	Switch		2	M437/438
		for longitudinal adjustment			
		Front vertical adjustment			
(13)	928 613 183 00	Switch		2	M437/438
		for backrest adjustment			
		Rear vertical adjustment			
(13)	928 613 184 00	Switch		2	
		Lumbar support adjustment			
	928 613 184 00 01C	Satin black			
14	928 613 181 00	Switch		4	M379/380
		Front vertical adjustment			
		Rear vertical adjustment			
15	928 521 559 04	Switch insert		2	
16	928 521 561 04	Trim for switch		2	
	928 521 561 04 01C	Satin black			
17	N 013 959 3	Oval-head sheetmetal screw		4	
		B 3,5 X 16			
17	900 143 016 02	Oval-head sheetmetal screw		4	
		B 3,5 X 16			
18	900 025 013 07	Washer		4	
		A 3,7			
19	928 618 521 03	Control unit		2	
		Seat heater			
20	928 613 187 04	Switch		2	

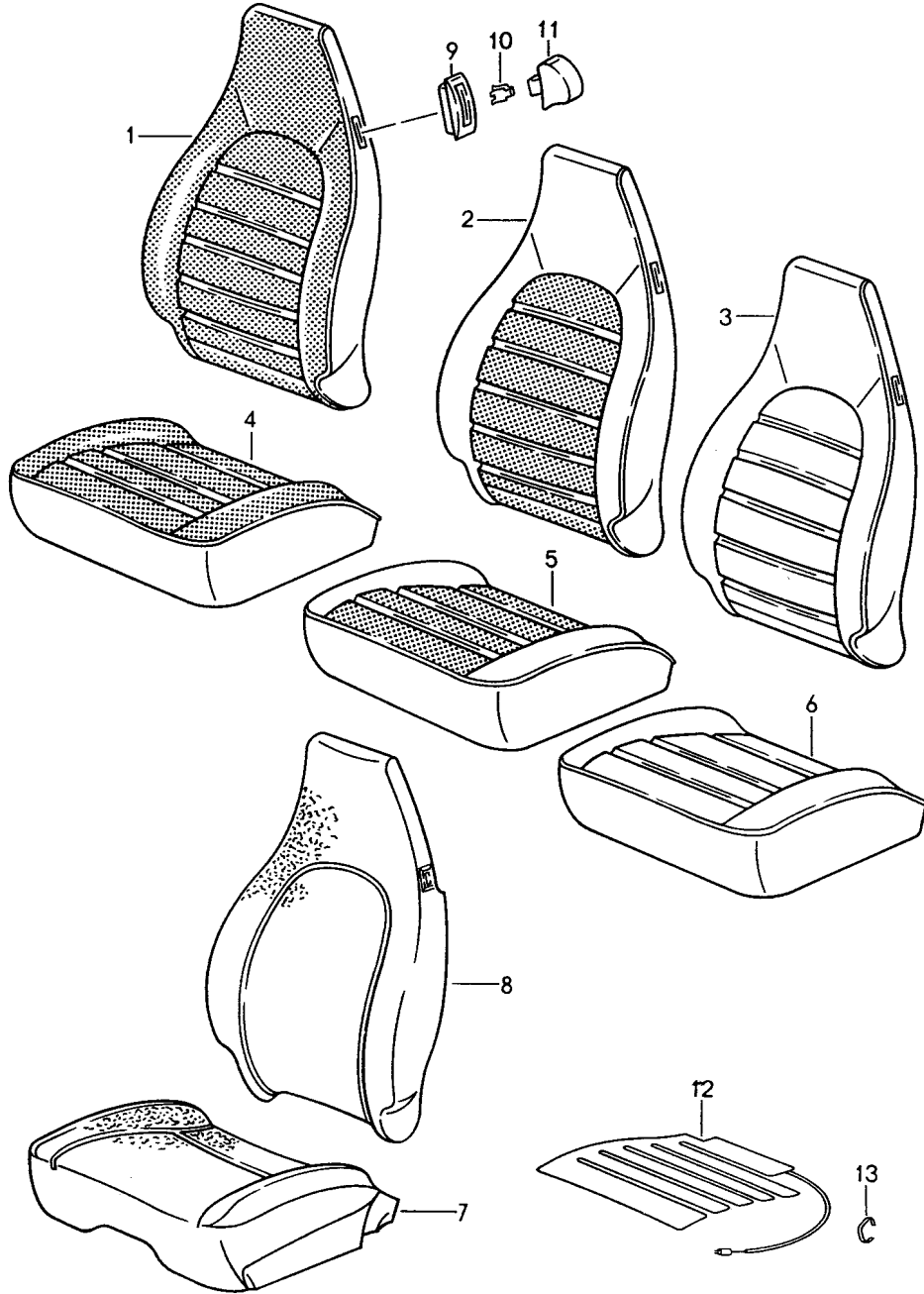
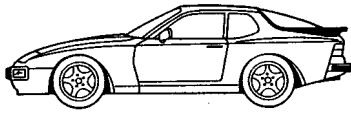
Model: STZ Model life 1985>>1998

Pos	Part Number	Description	Remark	Qty	Model
21	928 613 187 04 01C	Seat heater Satin black		2	
	964 653 901 00	Seat heater Centre part Seat surface			
22	993 653 120 00	Seat heater Seat side bolster		2	
23	964 653 902 00	Seat heater Backrest		2	



Model: STZ

Model life 1985>>1998



Model: STZ Model life 1985>>1998

Pos	Part Number	Description	Remark	Qty	Model
		Cover	-88		944/S
		Heating element			TURBO/S
		Front seat			
1	928 521 071 22	Backrest cover without heating		2	
		Leatherette/Backrest surface			
		Pin stripe velour			
	928 521 071 22 NY5	Black/Black-white			
	928 521 071 22 NY7	Brown/Brown-beige			
	928 521 071 22 RC8	Light grey/Light grey-white			
	928 521 071 22 NY8	Burgundy/Burgundy-white			
(1)	928 521 071 63	Backrest cover with heating		2	
		Leatherette/Backrest surface			
		Pin stripe velour			
	928 521 071 63 NY5	Black/Black-white			
	928 521 071 63 NY7	Brown/Brown-beige			
	928 521 071 63 RC8	Light grey/Light grey-white			
	928 521 071 63 NY8	Burgundy/Burgundy-white			
1	928 521 071 22	Backrest cover without heating		2	
		Leatherette/Backrest surface			
		Pin stripe flannel			
	928 521 071 22 NY9	Black/anthracite			
	928 521 071 22 NZ6	Brown/brown			
	928 521 071 22 NZ4	Light grey/light grey			
	928 521 071 22 NZ5	Burgundy/burgundy			
(1)	928 521 071 63	Backrest cover with heating		2	
		Leatherette/Backrest surface			
		Pin stripe flannel			
	928 521 071 63 NY9	Black/anthracite			
	928 521 071 63 NZ6	Brown/brown			
	928 521 071 63 NZ4	Light grey			
	928 521 071 63 NZ5	Burgundy/burgundy			
1	928 521 071 22	Backrest cover without heating		2	
		Leatherette/Backrest surface			
		Porsche lettering cloth			
	928 521 071 22 PX2	Black/black			
	928 521 071 22 PX4	Brown/brown			
	928 521 071 22 NZ3	Light grey/light grey			
	928 521 071 22 PX6	Burgundy/burgundy			
(1)	928 521 071 63	Backrest cover with heating		2	
		Leatherette/Backrest surface			
		Porsche lettering cloth			
	928 521 071 63 PX2	Black/black			
	928 521 071 63 PX4	Brown/brown			

Model: STZ Model life 1985>>1998

Pos	Part Number	Description	Remark	Qty	Model
1	928 521 071 63 NZ3	Light grey	88	2	M757
	928 521 071 63 PX6	Burgundy/burgundy			
	928 521 071 22	Backrest cover without heating Leatherette/ Backrest surface Multicolour			
1	928 521 071 22 US8	Black/ Grey	88	2	M758
	928 521 071 22	Backrest cover without heating Leatherette/ Backrest surface Multicolour			
(1)	928 521 071 22 XF1	Burgundy/burgundy Burgundy	88	2	M758
	928 521 071 63	Backrest cover with heating Leatherette/ Backrest surface Multicolour			
2	928 521 071 63 XF1	Burgundy/burgundy Burgundy		2	
	928 521 071 21	Backrest cover without heating Leatherette/ Centre part in cloth Pin stripe velour			
(2)	928 521 071 21 JN1	Black/ Black-white		2	
	928 521 071 21 JN2	Brown/ Brown-beige			
	928 521 071 21 RC7	Light grey Light grey-white			
	928 521 071 21 LT2	Burgundy/ Burgundy-white			
	928 521 071 23	Backrest cover with heating Leatherette/ Centre part in cloth Pin stripe velour			
	928 521 071 23 JN1	Black/ Black-white			
	928 521 071 23 JN2	Brown/ Brown-beige			
	928 521 071 23 RC7	Light grey Light grey-white			
	928 521 071 23 LT2	Burgundy/ Burgundy-white			
	928 521 071 21	Backrest cover without heating Leatherette/ Centre part in cloth Pin stripe flannel			
(2)	928 521 071 21 NX4	Black/		2	
	928 521 071 21 NX5	Brown-brown			
	928 521 071 21 NX6	Light grey/light grey			
	928 521 071 21 NX7	Burgundy/burgundy			
	928 521 071 23	Backrest cover with heating Leatherette/ Centre part in cloth Pin stripe flannel			

Model: STZ Model life 1985>>1998

Pos	Part Number	Description	Remark	Qty	Model
2	928 521 071 23 NX4	Black/anthracite		2	
	928 521 071 23 NX5	Brown/brown			
	928 521 071 23 NX6	Light grey/light grey			
	928 521 071 23 NX7	Burgundy/burgundy			
	928 521 071 21	Backrest cover without heating Leatherette/ Centre part Porsche lettering cloth			
	928 521 071 21 PX1	Black-black			
	928 521 071 21 PX3	Brown/brown			
	928 521 071 21 NX9	Light grey/light grey			
	928 521 071 21 PX5	Burgundy/burgundy			
	(2) 928 521 071 23	Backrest cover with heating Leatherette/ Centre part Porsche lettering cloth			
2	928 521 071 23 PX1	Black/black		2	
	928 521 071 23 PX3	Brown/brown			
	928 521 071 23 NX9	Light grey/light grey			
	928 521 071 23 PX5	Burgundy/burgundy			
	928 521 071 50	Backrest cover without heating Leatherette/leather Centre part in cloth Pin stripe velour	-87		
	928 521 071 50 PY1	Black/black Black-white			
	928 521 071 50 PY2	Brown Brown-beige			
	928 521 071 50 PY6	Light grey/light grey Light grey-white	85		
	928 521 071 50 PY4	Burgundy/burgundy Burgundy-white			
	928 521 071 50 RC9	Light grey Light grey-white	86-		
(2) 928 521 071 52	Backrest cover with heating Leatherette/leather Centre part in cloth Pin stripe velour	-87	2		
2	928 521 071 52 PY1	Black/ Black-white		2	
	928 521 071 52 PY2	Brown Brown-beige			
	928 521 071 52 PY6	Light grey Light grey-white	85		
	928 521 071 52 PY4	Burgundy/ Burgundy-white			
	928 521 071 52 RC9	Light grey Light grey-white	86-		
	928 521 071 50	Backrest cover without heating Leatherette/leather Centre part in cloth Pin stripe flannel	-87		
	928 521 071 50 PZ2	Black/anthracite Anthracite			
	928 521 071 50 PZ3	Brown/brown Brown			
	928 521 071 50 PY8	Light grey/light grey Light grey			

Model: **STZ** Model life **1985>>1998**

Pos	Part Number	Description	Remark	Qty	Model
	928 521 071 50 PZ5	Burgundy/burgundy Burgundy			
(2)	928 521 071 52	Backrest cover with heating Leatherette/leather Centre part in cloth Pin stripe flannel	-87	2	
	928 521 071 52 PZ2	Black/anthracite Anthracite			
	928 521 071 52 PZ3	Brown/brown Brown			
	928 521 071 52 PY8	Light grey Light grey			
	928 521 071 52 PZ5	Burgundy/burgundy Burgundy			
2	928 521 071 50	Backrest cover without heating Leatherette/leather Centre part Porsche lettering cloth	-87	2	
	928 521 071 50 PZ7	Black/black Black			
	928 521 071 50 PZ8	Brown/brown Brown			
	928 521 071 50 PY7	Light grey/light grey Light grey			
	928 521 071 50 QA1	Burgundy/burgundy Burgundy			
(2)	928 521 071 52	Backrest cover with heating Leatherette/leather Centre part Porsche lettering cloth	-87	2	
	928 521 071 52 PZ7	Black/black Black			
	928 521 071 52 PZ8	Brown/brown Brown			
	928 521 071 52 PY7	Light grey Light grey			
	928 521 071 52 QA1	Burgundy/burgundy Burgundy			
3	928 521 071 51	Backrest cover without heating Leatherette/ Backrest surface Leather		2	
	928 521 071 51 JN3	Black			
	928 521 071 51 JN4	Brown			
	928 521 071 51 NZ7	Light grey/light grey			
	928 521 071 51 NZ8	Burgundy			
(3)	928 521 071 62	Backrest cover with heating Leatherette/ Backrest surface Leather		2	
	928 521 071 62 JN3	Black			
	928 521 071 62 JN4	Brown			
	928 521 071 62 NZ7	Light grey			
	928 521 071 62 NZ8	Burgundy			
3	928 521 071 65	Backrest cover without heating Whole-leather		2	
	928 521 071 65 KZ2	Black			

Model: STZ Model life 1985>>1998

Pos	Part Number	Description	Remark	Qty	Model
	928 521 071 65 KZ5	Brown			
	928 521 071 65 NZ9	Light grey			
	928 521 071 65 LG7	Burgundy			
	928 521 071 65 KZ6	Can-can-red			
	928 521 071 65 LG4	Pearl white			
	928 521 071 65 LG5	Champagne			
	928 521 071 65 PZ1	Wild buffalo	-87		
(3)	928 521 071 64	Backrest cover with heating Whole-leather		2	
	928 521 071 64 KZ2	Black			
	928 521 071 64 KZ5	Brown			
	928 521 071 64 NZ9	Light grey			
	928 521 071 64 LG7	Burgundy			
	928 521 071 64 KZ6	Can-can-red			
	928 521 071 64 LG4	Pearl white			
	928 521 071 64 LG5	Champagne			
	928 521 071 64 PZ1	Wild buffalo	-87		
4	944 521 037 11	Cover for cushion Manually adjustable without heating Leatherette/ Seat surface Pin stripe velour		2	
	944 521 037 11 NY5	Black/ Black-white			
	944 521 037 11 NY7	Brown Brown-beige			
	944 521 037 11 RC8	Light grey Light grey/light grey			
	944 521 037 11 NY8	Burgundy/ Burgundy-white			
(4)	944 521 037 14	Cover for cushion for electric adjustment without heating Leatherette/ Seat surface Pin stripe velour		2	
	944 521 037 14 NY5	Black/ Black-white			
	944 521 037 14 NY7	Brown Brown-beige			
	944 521 037 14 RC8	Light grey Light grey/light grey			
	944 521 037 14 NY8	Burgundy/ Burgundy-white			
(4)	944 521 037 89	Cover for cushion for electric adjustment with heating Leatherette/ Seat surface Pin stripe velour		2	
	944 521 037 89 NY5	Black/ Black-white			
	944 521 037 89 NY7	Brown/ Brown-beige			
	944 521 037 89 RC8	Light grey Light grey/light grey			
	944 521 037 89 NY8	Burgundy/ Burgundy-white			
4	944 521 037 11	Cover for cushion Manually adjustable without heating		2	

Model: STZ Model life 1985>>1998

Pos	Part Number	Description	Remark	Qty	Model
(4)	944 521 037 11 NY9	Leatherette/ Seat surface Pin stripe flannel Black/anthracite		2	
	944 521 037 11 NZ6	Brown/brown			
	944 521 037 11 NZ4	Light grey/light grey			
	944 521 037 11 NZ5	Burgundy/burgundy			
	944 521 037 14	Cover for cushion for electric adjustment without heating Leatherette/ Seat surface Pin stripe flannel			
(4)	944 521 037 14 NY9	Black/anthracite		2	
	944 521 037 14 NZ6	Brown/brown			
	944 521 037 14 NZ4	Light grey			
	944 521 037 14 NZ5	Burgundy/burgundy			
	944 521 037 89	Cover for cushion for electric adjustment with heating Leatherette/ Seat surface Pin stripe flannel			
4	944 521 037 89 NY9	Black/anthracite		2	
	944 521 037 89 NZ6	Brown/brown			
	944 521 037 89 NZ4	Light grey/light grey			
	944 521 037 89 NZ5	Burgundy/burgundy			
	944 521 037 11	Cover for cushion Manually adjustable without heating Leatherette/ Seat surface Porsche lettering cloth			
(4)	944 521 037 11 PX2	Black/black		2	
	944 521 037 11 PX4	Brown/brown			
	944 521 037 11 NZ3	Light grey/light grey			
	944 521 037 11 PX6	Burgundy/burgundy			
	944 521 037 14	Cover for cushion for electric adjustment without heating Leatherette/ Seat surface Porsche lettering cloth			
(4)	944 521 037 14 PX2	Black/black		2	
	944 521 037 14 PX4	Brown/brown			
	944 521 037 14 NZ3	Light grey			
	944 521 037 14 PX6	Burgundy/burgundy			
	944 521 037 89	Cover for cushion for electric adjustment with heating Leatherette/ Seat surface Porsche lettering cloth			
4	944 521 037 89 PX2	Black/black		2	M757
	944 521 037 89 PX4	Brown/brown			
	944 521 037 89 NZ3	Light grey/light grey			
	944 521 037 89 PX6	Burgundy/burgundy			
	944 521 037 11	Cover for cushion Manually adjustable without heating Leatherette/ Seat surface Multicolour	88		

Model: STZ Model life 1985>>1998

Pos	Part Number	Description	Remark	Qty	Model
	944 521 037 11 US8	Black/ Grey			
(4)	944 521 037 14	Cover for cushion for electric adjustment without heating Leatherette/ Seat surface Multicolour	88	2	M757
	944 521 037 14 US8	Black/ Grey			
(4)	944 521 037 14	Cover for cushion for electric adjustment without heating Leatherette/ Seat surface Multicolour	88	2	M758
	944 521 037 14 XF1	Burgundy/ Burgundy			
(4)	944 521 037 89	Cover for cushion for electric adjustment with heating Leatherette/ Seat surface Multicolour	88	2	M758
	944 521 037 89 XF1	Burgundy/ Burgundy			
5	944 521 037 10	Cover for cushion Manually adjustable without heating Leatherette/ Centre part in cloth Pin stripe velour		2	
	944 521 037 10 JN1	Black/ Black-white			
	944 521 037 10 JN2	Brown/ Brown-beige			
	944 521 037 10 LT2	Burgundy/ Burgundy-white			
	944 521 037 10 NX8	Light grey	85		
	944 521 037 10 RC7	Light grey/light grey	86-		
(5)	944 521 037 13	Cover for cushion for electric adjustment without heating Leatherette/ Centre part in cloth Pin stripe velour		2	
	944 521 037 13 JN1	Black/ Black-white			
	944 521 037 13 JN2	Brown/ Brown-beige			
	944 521 037 13 LT2	Burgundy/ Burgundy-white			
	944 521 037 13 NX8	Light grey	85		
	944 521 037 13 RC7	Light grey/light grey	86-		
(5)	944 521 037 17	Cover for cushion for electric adjustment with heating Leatherette/ Centre part in cloth		2	



Model: STZ Model life 1985>>1998

Pos	Part Number	Description	Remark	Qty	Model
	944 521 037 17 JN1	Pin stripe velour Black/ Black-white			
	944 521 037 17 JN2	Brown/ Brown-beige			
	944 521 037 17 LT2	Burgundy/ Burgundy-white			
	944 521 037 17 NX8	Light grey Light grey/light grey	85		
	944 521 037 17 RC7	Light grey Light grey-white	86-		
5	944 521 037 10	Cover for cushion Manually adjustable without heating Leatherette/ Centre part in cloth Pin stripe flannel		2	
	944 521 037 10 NX4	Black/anthracite			
	944 521 037 10 NX5	Brown/brown			
	944 521 037 10 NX6	Light grey/light grey			
	944 521 037 10 NX7	Burgundy/burgundy			
(5)	944 521 037 13	Cover for cushion for electric adjustment without heating Leatherette/ Centre part in cloth Pin stripe flannel		2	
	944 521 037 13 NX4	Black/anthracite			
	944 521 037 13 NX5	Brown/brown			
	944 521 037 13 NX6	Light grey/light grey			
	944 521 037 13 NX7	Burgundy/burgundy			
(5)	944 521 037 17	Cover for cushion for electric adjustment with heating Leatherette/ Centre part in cloth Pin stripe flannel		2	
	944 521 037 17 NX4	Black/anthracite			
	944 521 037 17 NX5	Brown/brown			
	944 521 037 17 NX6	Light grey/light grey			
	944 521 037 17 NX7	Burgundy/burgundy			
5	944 521 037 10	Cover for cushion Manually adjustable without heating Leatherette/ Centre part Porsche lettering cloth		2	
	944 521 037 10 PX1	Black/black			
	944 521 037 10 PX3	Brown/brown			
	944 521 037 10 NX9	Light grey/light grey			
	944 521 037 10 PX5	Burgundy/burgundy			
(5)	944 521 037 13	Cover for cushion for electric adjustment without heating Leatherette/ Centre part Porsche lettering cloth		2	
	944 521 037 13 PX1	Black/black			
	944 521 037 13 PX3	Brown/brown			
	944 521 037 13 NX9	Light grey/light grey			
	944 521 037 13 PX5	Burgundy/burgundy			
(5)	944 521 037 17	Cover for cushion for electric adjustment		2	

Model: STZ Model life 1985>>1998

Pos	Part Number	Description	Remark	Qty	Model
		with heating Leatherette/ Centre part Porsche lettering cloth			
	944 521 037 17 PX1	Black/black			
	944 521 037 17 PX3	Brown/brown			
	944 521 037 17 NX9	Light grey/light grey			
5	944 521 037 17 PX5	Burgundy/burgundy			
	944 521 037 75	Cover for cushion Manually adjustable without heating Leatherette/leather Centre part in cloth Pin stripe velour	-87	2	
	944 521 037 75 PY1	Black/black Black-white			
	944 521 037 75 PY2	Brown Brown-beige			
	944 521 037 75 PY6	Light grey Light grey-white	85		
	944 521 037 75 PY4	Burgundy/burgundy Burgundy-white			
	944 521 037 75 RC9	Light grey	86-		
(5)	944 521 037 79	Light grey-white Cover for cushion for electric adjustment without heating Leatherette/leather Centre part in cloth Pin stripe velour	-87	2	
	944 521 037 79 PY1	Black/black Black-white			
	944 521 037 79 PY2	Brown Brown-beige			
	944 521 037 79 PY6	Light grey Light grey-white	85		
	944 521 037 79 PY4	Burgundy/burgundy Burgundy-white			
	944 521 037 79 RC9	Light grey	86-		
(5)	944 521 037 87	Light grey-white Cover for cushion for electric adjustment with heating Leatherette/leather Centre part in cloth Pin stripe velour	-87	2	
	944 521 037 87 PY1	Black/black Black-white			
	944 521 037 87 PY2	Brown/brown Brown-beige			
	944 521 037 87 PY6	Light grey/light grey Light grey-white	85		
	944 521 037 87 PY4	Burgundy/burgundy Burgundy-white			
	944 521 037 87 RC9	Light grey/light grey Light grey-white	86-		
5	944 521 037 75	Cover for cushion Manually adjustable without heating Leatherette/leather Centre part in cloth Pin stripe flannel	-87	2	
	944 521 037 75 PZ2	Black/anthracite			

Model: STZ Model life 1985>>1998

Pos	Part Number	Description	Remark	Qty	Model
	944 521 037 75 PZ3	Anthracite Brown/brown			
	944 521 037 75 PY8	Brown Light grey/light grey			
	944 521 037 75 PZ5	Light grey Burgundy/burgundy			
(5)	944 521 037 79	Burgundy Cover for cushion for electric adjustment without heating	-87	2	
	944 521 037 79 PZ2	Leatherette/leather Centre part in cloth Pin stripe flannel			
	944 521 037 79 PZ3	Black/anthracite Anthracite			
	944 521 037 79 PY8	Brown/brown Brown			
	944 521 037 79 PZ5	Light grey/light grey Light grey			
(5)	944 521 037 87	Burgundy/burgundy Burgundy Cover for cushion for electric adjustment with heating	-87	2	
	944 521 037 87 PZ2	Leatherette/leather Centre part in cloth Pin stripe flannel			
	944 521 037 87 PZ3	Black/black Anthracite			
	944 521 037 87 PY8	Brown/brown Brown			
	944 521 037 87 PZ5	Light grey/light grey Light grey			
5	944 521 037 75	Burgundy/burgundy Burgundy Cover for cushion Manually adjustable without heating	-87	2	
	944 521 037 75 PZ7	Leatherette/leather Centre part Porsche lettering cloth			
	944 521 037 75 PZ8	Black/black Black			
	944 521 037 75 PY7	Brown/brown Brown			
	944 521 037 75 QA1	Light grey/light grey Light grey			
(5)	944 521 037 79	Burgundy/burgundy Burgundy Cover for cushion for electric adjustment without heating	-87	2	
	944 521 037 79 PZ7	Leatherette/leather Centre part Porsche lettering cloth			
	944 521 037 79 PZ8	Black/black Black			
	944 521 037 79 PY7	Brown/brown Brown			
	944 521 037 79 QA1	Light grey/light grey Light grey			
	944 521 037 79 QA1	Burgundy/burgundy Burgundy			

Model: STZ Model life 1985>>1998

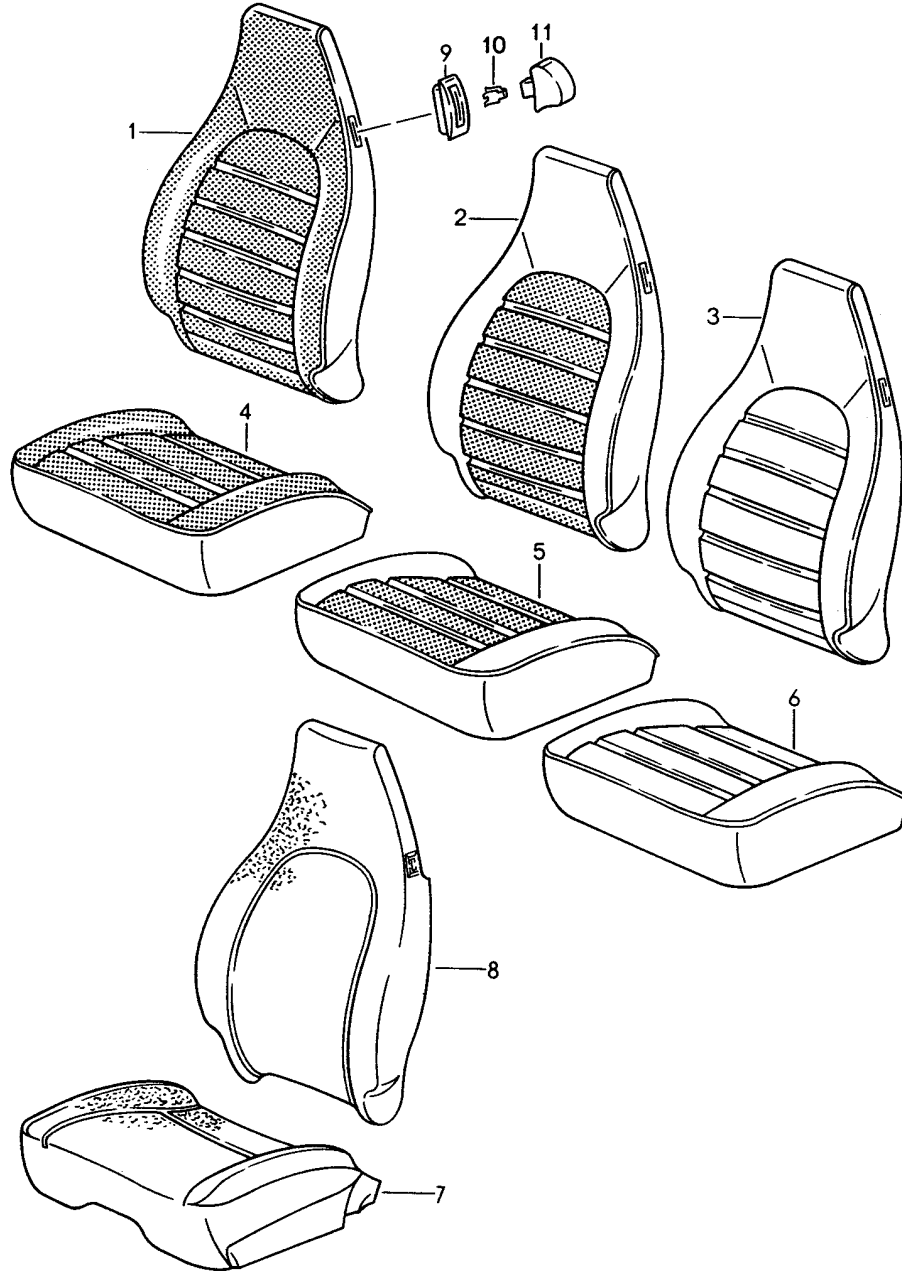
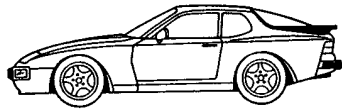
Pos	Part Number	Description	Remark	Qty	Model
(5)	944 521 037 87	Cover for cushion for electric adjustment with heating Leatherette/leather Centre part Porsche lettering cloth	-87	2	
	944 521 037 87 PZ7	Black/black Black			
	944 521 037 87 PZ8	Brown/brown Brown			
	944 521 037 87 PY7	Light grey/light grey Light grey			
	944 521 037 87 QA1	Burgundy/burgundy Burgundy			
6	944 521 037 76	Cover for cushion Manually adjustable without heating Leatherette/ Seat surface Leather		2	
	944 521 037 76 JN3	Black/black			
	944 521 037 76 JN4	Brown/brown			
	944 521 037 76 NZ7	Light grey/light grey			
	944 521 037 76 NZ8	Burgundy/burgundy			
(6)	944 521 037 80	Cover for cushion for electric adjustment without heating Leatherette/ Seat surface Leather		2	
	944 521 037 80 JN3	Black/black			
	944 521 037 80 JN4	Brown/brown			
	944 521 037 80 NZ7	Light grey/light grey			
	944 521 037 80 NZ8	Burgundy/burgundy			
(6)	944 521 037 88	Cover for cushion for electric adjustment with heating Leatherette/ Seat surface Leather		2	
	944 521 037 88 JN3	Black/black			
	944 521 037 88 JN4	Brown/brown			
	944 521 037 88 NZ7	Light grey/light grey			
	944 521 037 88 NZ8	Burgundy/burgundy			
6	944 521 037 77	Cover for cushion Manually adjustable Whole-leather		2	
	944 521 037 77 KZ2	Black			
	944 521 037 77 KZ5	Brown			
	944 521 037 77 NZ9	Light grey			
	944 521 037 77 LG7	Burgundy			
	944 521 037 77 KZ6	Can-can-red			
	944 521 037 77 LG4	Pearl white			
	944 521 037 77 LG5	Champagne			
	944 521 037 77 PZ1	Wild buffalo	-87		
(6)	944 521 037 81	Cover for cushion for electric adjustment without heating Whole-leather		2	
	944 521 037 81 KZ2	Black			
	944 521 037 81 KZ5	Brown			
	944 521 037 81 NZ9	Light grey			
	944 521 037 81 LG7	Burgundy			

Model: STZ Model life 1985>>1998

Pos	Part Number	Description	Remark	Qty	Model
	944 521 037 81 KZ6	Can-can-red			
	944 521 037 81 LG4	Pearl white			
	944 521 037 81 LG5	Champagne			
	944 521 037 81 PZ1	Wild buffalo	-87		
(6)	944 521 037 90	Cover for cushion for electric adjustment with heating Whole-leather		2	
	944 521 037 90 KZ2	Black			
	944 521 037 90 KZ5	Brown			
	944 521 037 90 NZ9	Light grey			
	944 521 037 90 LG7	Burgundy			
	944 521 037 90 KZ6	Can-can-red			
	944 521 037 90 LG4	Pearl white			
	944 521 037 90 LG5	Champagne			
	944 521 037 90 PZ1	Wild buffalo	-87		
7	928 521 385 22	Foam part Seat cushion Manually adjustable		2	
(7)	928 521 385 23	Foam part Seat cushion Electrically adjustable	/L	1	
(7)	928 521 386 23	Foam part Seat cushion Electrically adjustable	/R	1	
(7)	928 521 385 24	Foam part Seat cushion Electrically adjustable	/L	1	
(7)	928 521 386 24	Foam part Seat cushion Electrically adjustable with heating	/R	1	
8	928 521 393 13	Foam part Backrest frame Manually adjustable		2	
(8)	993 521 393 06	Foam part Backrest frame Electrically adjustable See technical information		2	
(8)		6 ZYL. GR.7D NR.1/94 Foam part Backrest frame Electrically adjustable See technical information		2	
9	911 521 815 00	Rosette		4	
	911 521 815 00 01C	Satin black			
10	311 881 247	Clip		4	
11	911 521 817 00	Control button		4	
	911 521 817 00 01C	Satin black			
12	911 653 901 00	Heating element Seat surface		2	
(12)	911 653 902 00	Heating element Backrest		2	
13	000 043 071 00	Clamp Set 50 Pieces		X	

Model: STZ

Model life 1985>>1998



Model: STZ Model life 1985>>1998

Pos	Part Number	Description	Remark	Qty	Model
1	928 521 071 22	Cover Front seat Backrest cover without heating Leatherette/ Backrest surface Pin stripe velour	89-91	2	944/S2 TURBO
	928 521 071 22 NY5	Black/ Black-white	-90		
	928 521 071 22 TR7	Blue/ Blue-white	-90		
	928 521 071 22 XK2	Linen/ Linen white	-90		
	928 521 071 22 NY8	Burgundy/ Burgundy-white	-90		
(1)	964 521 071 01	Backrest cover with heating Leatherette/ Backrest surface Pin stripe velour		2	
	964 521 071 01 NY5	Black/ Black-white	-90		
	964 521 071 01 TR7	Blue/ Blue-white	-90		
	964 521 071 01 XK2	Linen/ Linen white	-90		
	964 521 071 01 NY8	Burgundy/ Burgundy-white	-90		
1	928 521 071 22	Backrest cover without heating Leatherette/ Backrest surface Multicolour		2	
	928 521 071 22 XK8	Black/black			
	928 521 071 22 XN1	Marine blue/blue	-90		
	928 521 071 22 XK4	Linen/linen	-90		
	928 521 071 22 XN2	Burgundy/burgundy	-90		
	928 521 071 22 AQV	Cobalt blue/cobalt blue	91		
	928 521 071 22 AQP	Classic grey/classic grey	91		
(1)	964 521 071 01	Backrest cover with heating Leatherette/ Backrest surface Multicolour		2	
	964 521 071 01 XK8	Black/black			
	964 521 071 01 XN1	Marine blue/marine blue	-90		
	964 521 071 01 XK4	Linen/linen	-90		
	964 521 071 01 XN2	Burgundy/burgundy	-90		
	964 521 071 01 AQV	Cobalt blue/cobalt blue	91		
	964 521 071 01 AQP	Classic grey/classic grey	91		
1	928 521 071 22	Backrest cover without heating Leatherette/ Backrest surface Porsche lettering cloth		2	
	928 521 071 22 PX2	Black/black			
	928 521 071 22 TR9	Marine blue	-90		
	928 521 071 22 XK3	Linen/linen	-90		
	928 521 071 22 PX6	Burgundy/burgundy	-90		
	928 521 071 22 ARM	Cobalt blue/cobalt blue	91		
	928 521 071 22 APM	Classic grey/classic grey	91		
-	TPC 000 000 00	Cloth by the running meter	91	1	
	TPC 000 000 00 6WC	PORSCHE logo			

Model: STZ Model life 1985>>1998

Pos	Part Number	Description	Remark	Qty	Model
(1)	964 521 071 01	Classic grey Running meter Backrest cover with heating Leatherette/ Backrest surface Porsche lettering cloth		2	
	964 521 071 01 PX2	Black/black			
	964 521 071 01 TR9	Marine blue/marine blue	-90		
	964 521 071 01 XK3	Linen/linen	-90		
	964 521 071 01 PX6	Burgundy/burgundy	-90		
	964 521 071 01 ARM	Cobalt blue/cobalt blue	91		
	964 521 071 01 APM	Classic grey/classic grey	91		
-	TPC 000 000 00	Cloth by the running meter	91	1	
	TPC 000 000 00 6WC	PORSCHE logo			
2	928 521 071 21	Classic grey Running meter Backrest cover without heating Leatherette/ Centre part in cloth Pin stripe velour		2	
	928 521 071 21 JN1	Black/ Black-white	-90		
	928 521 071 21 XJ8	Blue/ Blue-white	-90		
	928 521 071 21 XH1	Linen/ Linen white	-90		
	928 521 071 21 LT2	Burgundy/ Burgundy-white	-90		
(2)	964 521 071 00	Backrest cover with heating Leatherette/ Centre part in cloth Pin stripe velour		2	
	964 521 071 00 JN1	Black/ Black-white	-90		
	964 521 071 00 XJ8	Blue/ Blue-white	-90		
	964 521 071 00 XH1	Linen/ Linen white	-90		
	964 521 071 00 LT2	Burgundy/ Burgundy-white	-90		
2	928 521 071 21	Backrest cover without heating Leatherette/ Centre part in cloth Multicolour		2	
	928 521 071 21 XJ1	Black/black			
	928 521 071 21 XJ4	Marine blue/marine blue	-90		
	928 521 071 21 XH5	Linen/linen	-90		
	928 521 071 21 XJ6	Burgundy/burgundy	-90		
	928 521 071 21 ARC	Cobalt blue/cobalt blue	91		
	928 521 071 21 APC	Classic grey/classic grey	91		
(2)	964 521 071 00	Backrest cover with heating Leatherette/ Centre part in cloth Multicolour		2	
	964 521 071 00 XJ1	Black/black			
	964 521 071 00 XJ4	Marine blue/marine blue	-90		
	964 521 071 00 XH5	Linen/linen	-90		
	964 521 071 00 XJ6	Burgundy/burgundy	-90		



Model: STZ Model life 1985>>1998

Pos	Part Number	Description	Remark	Qty	Model
2	964 521 071 00 ARC	Cobalt blue/cobalt blue	91	2	
	964 521 071 00 APC	Classic grey/classic grey	91		
	928 521 071 21	Backrest cover without heating Leatherette/ Centre part Porsche lettering cloth			
	928 521 071 21 PX1	Black-black			
	928 521 071 21 XJ9	Marine blue/marine blue	-90		
	928 521 071 21 XH3	Linen/linen	-90		
	928 521 071 21 PX5	Burgundy/burgundy	-90		
	928 521 071 21 ARA	Cobalt blue/cobalt blue	91		
	928 521 071 21 APA	Classic grey/classic grey	91		
	-	TPC 000 000 00	Cloth by the running meter		
	TPC 000 000 00 6WC	PORSCHE logo Classic grey Running meter			
(2)	964 521 071 00	Backrest cover with heating Leatherette/ Centre part Porsche lettering cloth		2	
	964 521 071 00 PX1	Black/black			
	964 521 071 00 XJ9	Marine blue/marine blue	-90		
	964 521 071 00 XH3	Linen/linen	-90		
	964 521 071 00 PX5	Burgundy/burgundy	-90		
	964 521 071 00 ARA	Cobalt blue/cobalt blue	91		
	964 521 071 00 APA	Classic grey/classic grey	91		
-	TPC 000 000 00	Cloth by the running meter	91	1	
	TPC 000 000 00 6WC	PORSCHE logo Classic grey Running meter			
3	928 521 071 51	Backrest cover without heating Leatherette/ Backrest surface Leather		2	
	928 521 071 51 JN3	Black			
	928 521 071 51 TW2	Linen	-90		
	928 521 071 51 NZ8	Burgundy	-90		
	928 521 071 51 TS2	Marine blue	-90		
	928 521 071 51 ARK	Cobalt blue/cobalt blue	91		
	928 521 071 51 APK	Classic grey/classic grey	91		
(3)	964 521 071 03	Backrest cover with heating Leatherette/ Backrest surface Leather		2	
	964 521 071 03 JN3	Black			
	964 521 071 03 TW2	Linen/linen	-90		
	964 521 071 03 NZ8	Burgundy/burgundy	-90		
	964 521 071 03 TS2	Marine blue/marine blue	-90		
	964 521 071 03 ARK	Cobalt blue/cobalt blue	91		
	964 521 071 03 APK	Classic grey/classic grey	91		
3	928 521 071 65	Backrest cover without heating Whole-leather		2	
	928 521 071 65 KZ2	Black			
	928 521 071 65 TW1	Linen	-90		
	928 521 071 65 LG7	Burgundy	-90		
	928 521 071 65 TS1	Marine blue	-90		
	928 521 071 65 ARL	Cobalt blue	91		
	928 521 071 65 APL	Classic grey	91		

Model: STZ Model life 1985>>1998

Pos	Part Number	Description	Remark	Qty	Model
(3)	964 521 071 04	Backrest cover with heating Whole-leather		2	
	964 521 071 04 KZ2	Black			
	964 521 071 04 TW1	Linen	-90		
	964 521 071 04 LG7	Burgundy	-90		
	964 521 071 04 TS1	Marine blue	-90		
	964 521 071 04 ARL	Cobalt blue	91		
	964 521 071 04 APL	Classic grey	91		
4	944 521 037 11	Cover for cushion Manually adjustable without heating Leatherette/ Seat surface Pin stripe velour		2	
	944 521 037 11 NY5	Black/ Black-white	-90		
	944 521 037 11 TR7	Blue/ Blue-white	-90		
	944 521 037 11 XK2	Linen/ Linen white	-90		
	944 521 037 11 NY8	Burgundy/ Burgundy-white	-90		
(4)	944 521 037 14	Cover for cushion for electric adjustment without heating Leatherette/ Seat surface Pin stripe velour		2	
	944 521 037 14 NY5	Black/ Black-white	-90		
	944 521 037 14 TR7	Marine blue Blue-white	-90		
	944 521 037 14 XK2	Linen/ Linen white	-90		
	944 521 037 14 NY8	Burgundy/ Burgundy-white	-90		
(4)	964 521 037 01	Cover for cushion for electric adjustment with heating Leatherette/ Seat surface Pin stripe velour		2	
	964 521 037 01 NY5	Black/ Black-white	-90		
	964 521 037 01 TR7	Blue/ Blue-white	-90		
	964 521 037 01 XK2	Linen/ Linen white	-90		
	964 521 037 01 NY8	Burgundy/ Burgundy-white	-90		
4	944 521 037 11	Cover for cushion Manually adjustable without heating Leatherette/ Seat surface Multicolour		2	
	944 521 037 11 XK8	Black/black			
	944 521 037 11 XN1	Marine blue/blue	-90		
	944 521 037 11 XK4	Linen/linen	-90		
	944 521 037 11 XN2	Burgundy/burgundy	-90		
	944 521 037 11 AQV	Cobalt blue/cobalt blue	91		
	944 521 037 11 AQP	Classic grey/classic grey	91		

Model: STZ Model life 1985>>1998

Pos	Part Number	Description	Remark	Qty	Model
(4)	944 521 037 14	Cover for cushion for electric adjustment without heating Leatherette/ Seat surface Multicolour		2	
	944 521 037 14 XK8	Black/black			
	944 521 037 14 XN1	Marine blue/blue	-90		
	944 521 037 14 XK4	Linen/linen	-90		
	944 521 037 14 XN2	Burgundy/burgundy	-90		
	944 521 037 14 AQV	Cobalt blue/cobalt blue	91		
	944 521 037 14 AQP	Classic grey/classic grey	91		
(4)	964 521 037 01	Cover for cushion for electric adjustment with heating Leatherette/ Seat surface Multicolour		2	
	964 521 037 01 XK8	Black/black			
	964 521 037 01 XN1	Marine blue/marine blue	-90		
	964 521 037 01 XK4	Linen/linen	-90		
	964 521 037 01 XN2	Burgundy/burgundy	-90		
	964 521 037 01 AQV	Cobalt blue/cobalt blue	91		
	964 521 037 01 AQP	Classic grey/classic grey	91		
4	944 521 037 11	Cover for cushion Manually adjustable without heating Leatherette/ Seat surface Porsche lettering cloth		2	
	944 521 037 11 PX2	Black/black			
	944 521 037 11 TR9	Marine blue	-90		
	944 521 037 11 XK3	Linen/linen	-90		
	944 521 037 11 PX6	Burgundy/burgundy	-90		
	944 521 037 11 ARM	Cobalt blue/cobalt blue	91		
	944 521 037 11 APM	Classic grey/classic grey	91		
(4)	944 521 037 14	Cover for cushion for electric adjustment without heating Leatherette/ Seat surface Porsche lettering cloth		2	
	944 521 037 14 PX2	Black/black			
	944 521 037 14 TR9	Marine blue	-90		
	944 521 037 14 XK3	Linen/linen	-90		
	944 521 037 14 PX6	Burgundy/burgundy	-90		
	944 521 037 14 ARM	Cobalt blue/cobalt blue	91		
	944 521 037 14 APM	Classic grey/classic grey	91		
(4)	964 521 037 01	Cover for cushion for electric adjustment with heating Leatherette/ Seat surface Porsche lettering cloth		2	
	964 521 037 01 PX2	Black/black			
	964 521 037 01 TR9	Marine blue/blue	-90		
	964 521 037 01 XK3	Linen/linen	-90		
	964 521 037 01 PX6	Burgundy/burgundy	-90		
	964 521 037 01 ARM	Cobalt blue/cobalt blue	91		
	964 521 037 01 APM	Classic grey/classic grey	91		
5	944 521 037 10	Cover for cushion Manually adjustable without heating		2	

Model: STZ Model life 1985>>1998

Pos	Part Number	Description	Remark	Qty	Model
		Leatherette/ Centre part in cloth Pin stripe velour			
	944 521 037 10 JN1	Black/ Black-white	-90		
	944 521 037 10 XJ8	Blue/ Blue-white	-90		
	944 521 037 10 XH1	Linen/ Linen white	-90		
	944 521 037 10 LT2	Burgundy/ Burgundy-white	-90		
(5)	944 521 037 13	Cover for cushion for electric adjustment without heating Leatherette/ Centre part in cloth Pin stripe velour		2	
	944 521 037 13 JN1	Black/ Black-white	-90		
	944 521 037 13 XJ8	Blue/ Blue-white	-90		
	944 521 037 13 XH1	Linen/ Linen white	-90		
	944 521 037 13 LT2	Burgundy/ Burgundy-white	-90		
(5)	964 521 037 00	Cover for cushion for electric adjustment with heating Leatherette/ Centre part in cloth Pin stripe velour		2	
	964 521 037 00 JN1	Black/ Black-white	-90		
	964 521 037 00 XJ8	Blue/ Blue-white	-90		
	964 521 037 00 XH1	Linen/ Linen white	-90		
	964 521 037 00 LT2	Burgundy/ Burgundy-white	-90		
5	944 521 037 10	Cover for cushion Manually adjustable without heating Leatherette/ Centre part in cloth Multicolour		2	
	944 521 037 10 XJ1	Black/black			
	944 521 037 10 XJ4	Marine blue/marine blue	-90		
	944 521 037 10 XH5	Linen/linen	-90		
	944 521 037 10 XJ6	Burgundy/burgundy	-90		
	944 521 037 10 ARC	Cobalt blue/cobalt blue	91		
	944 521 037 10 APC	Classic grey/classic grey	91		
(5)	944 521 037 13	Cover for cushion for electric adjustment without heating Leatherette/ Centre part in cloth Multicolour		2	
	944 521 037 13 XJ1	Black/black			
	944 521 037 13 XJ4	Marine blue/marine blue	-90		
	944 521 037 13 XH5	Linen/linen	-90		
	944 521 037 13 XJ6	Burgundy/burgundy	-90		
	944 521 037 13 ARC	Cobalt blue/cobalt blue	91		
	944 521 037 13 APC	Classic grey/classic grey	91		

Model: STZ Model life 1985>>1998

Pos	Part Number	Description	Remark	Qty	Model
(5)	964 521 037 00	Cover for cushion for electric adjustment with heating Leatherette/ Centre part in cloth Multicolour		2	
	964 521 037 00 XJ1	Black/black			
	964 521 037 00 XJ4	Marine blue/marine blue	-90		
	964 521 037 00 XH5	Linen/linen	-90		
	964 521 037 00 XJ6	Burgundy/burgundy	-90		
	964 521 037 00 ARC	Cobalt blue/cobalt blue	91		
	964 521 037 00 APC	Classic grey/classic grey	91		
5	944 521 037 10	Cover for cushion Manually adjustable without heating Leatherette/ Centre part Porsche lettering cloth		2	
	944 521 037 10 PX1	Black/black			
	944 521 037 10 XJ9	Marine blue/marine blue	-90		
	944 521 037 10 XH3	Linen/linen	-90		
	944 521 037 10 PX5	Burgundy/burgundy	-90		
	944 521 037 10 ARA	Cobalt blue/cobalt blue	91		
	944 521 037 10 APA	Classic grey/classic grey	91		
-	TPC 000 000 00	Cloth by the running meter	91	1	
	TPC 000 000 00 6WC	PORSCHE logo Classic grey Running meter			
(5)	944 521 037 13	Cover for cushion for electric adjustment without heating Leatherette/ Centre part Porsche lettering cloth		2	
	944 521 037 13 PX1	Black/black			
	944 521 037 13 XJ9	Marine blue/marine blue	-90		
	944 521 037 13 XH3	Linen/linen	-90		
	944 521 037 13 PX5	Burgundy/burgundy	-90		
	944 521 037 13 ARA	Cobalt blue/cobalt blue	91		
	944 521 037 13 APA	Classic grey/classic grey	91		
-	TPC 000 000 00	Cloth by the running meter	91	1	
	TPC 000 000 00 6WC	PORSCHE logo Classic grey Running meter			
(5)	964 521 037 00	Cover for cushion for electric adjustment with heating Leatherette/ Centre part Porsche lettering cloth		2	
	964 521 037 00 PX1	Black/black			
	964 521 037 00 XJ9	Marine blue/blue	-90		
	964 521 037 00 XH3	Linen/linen	-90		
	964 521 037 00 PX5	Burgundy/burgundy	-90		
	964 521 037 00 ARA	Cobalt blue/cobalt blue	91		
	964 521 037 00 APA	Classic grey/classic grey	91		
-	TPC 000 000 00	Cloth by the running meter	91	1	
	TPC 000 000 00 6WC	PORSCHE logo Classic grey Running meter			
6	944 521 037 76	Cover for cushion Manually adjustable without heating		2	

Model: STZ Model life 1985>>1998

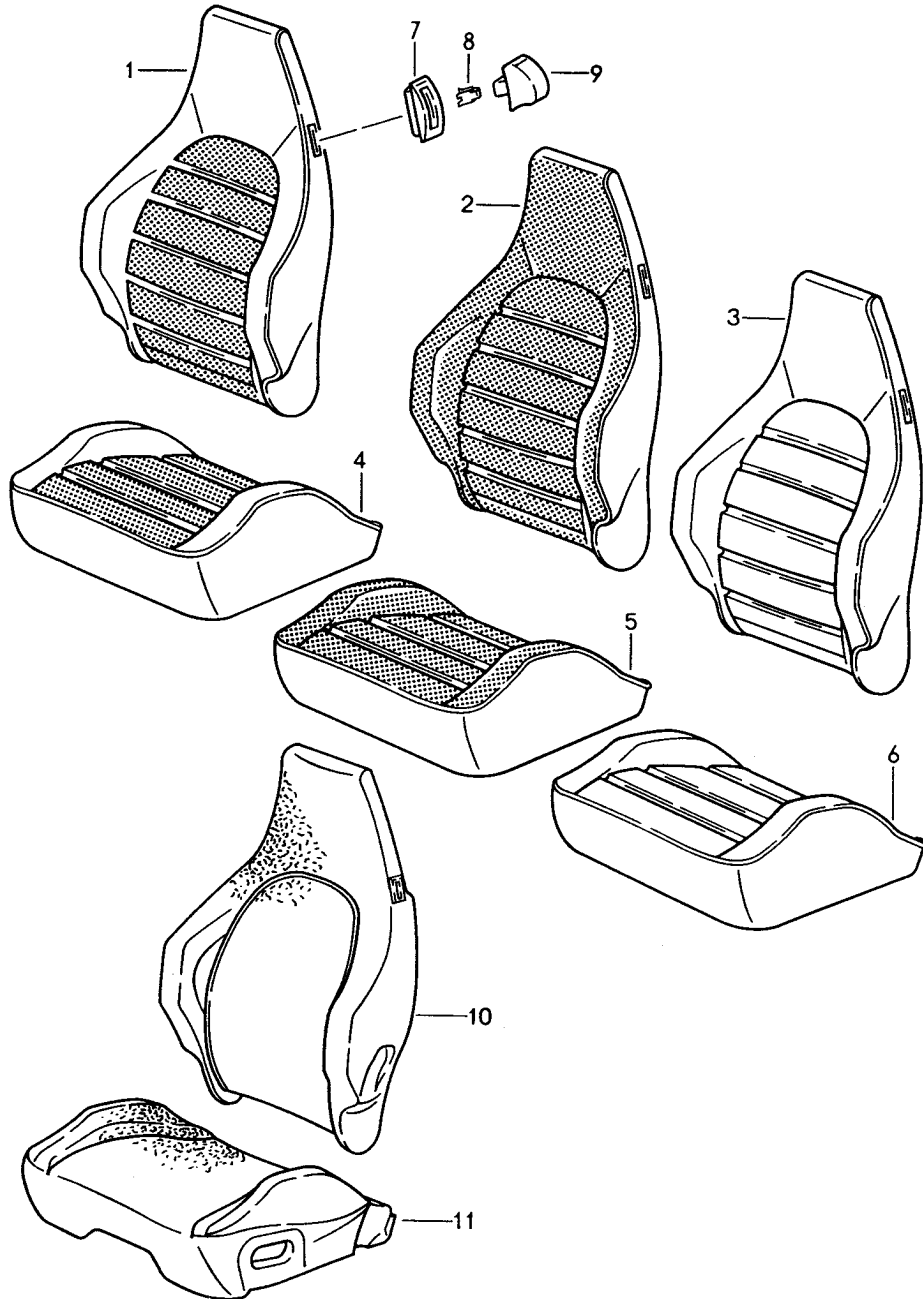
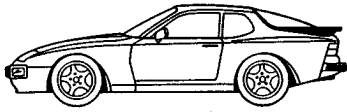
Pos	Part Number	Description	Remark	Qty	Model
		Leatherette/ Seat surface Leather			
	944 521 037 76 JN3	Black/black			
	944 521 037 76 TW2	Linen/linen	-90		
	944 521 037 76 NZ8	Burgundy/burgundy	-90		
	944 521 037 76 TS2	Marine blue	-90		
	944 521 037 76 ARK	Cobalt blue/cobalt blue	91		
	944 521 037 76 APK	Classic grey/classic grey	91		
(6)	944 521 037 80	Cover for cushion for electric adjustment without heating Leatherette/ Seat surface Leather		2	
	944 521 037 80 JN3	Black/black			
	944 521 037 80 TW2	Linen/linen	-90		
	944 521 037 80 NZ8	Burgundy/burgundy	-90		
	944 521 037 80 TS2	Marine blue/marine blue	-90		
	944 521 037 80 ARK	Cobalt blue/cobalt blue	91		
	944 521 037 80 APK	Classic grey/classic grey	91		
(6)	964 521 037 03	Cover for cushion for electric adjustment with heating Leatherette/ Seat surface Leather		2	
	964 521 037 03 JN3	Black/black			
	964 521 037 03 TW2	Linen/linen	-90		
	964 521 037 03 NZ8	Burgundy/burgundy	-90		
	964 521 037 03 TS2	Marine blue/marine blue	-90		
	964 521 037 03 ARK	Cobalt blue/cobalt blue	91		
	964 521 037 03 APK	Classic grey/classic grey	91		
6	944 521 037 77	Cover for cushion Manually adjustable Whole-leather		2	
	944 521 037 77 KZ2	Black			
	944 521 037 77 TW1	Linen	-90		
	944 521 037 77 LG7	Burgundy	-90		
	944 521 037 77 TS1	Marine blue	-90		
	944 521 037 77 ARL	Cobalt blue	91		
	944 521 037 77 APL	Classic grey	91		
(6)	944 521 037 81	Cover for cushion for electric adjustment without heating Whole-leather		2	
	944 521 037 81 KZ2	Black			
	944 521 037 81 TW1	Linen	-90		
	944 521 037 81 LG7	Burgundy	-90		
	944 521 037 81 TS1	Marine blue	-90		
	944 521 037 81 ARL	Cobalt blue	91		
	944 521 037 81 APL	Classic grey	91		
(6)	964 521 037 04	Cover for cushion for electric adjustment with heating Whole-leather		2	
	964 521 037 04 KZ2	Black			
	964 521 037 04 TW1	Linen	-90		
	964 521 037 04 LG7	Burgundy	-90		
	964 521 037 04 TS1	Marine blue	-90		
	964 521 037 04 ARL	Cobalt blue	91		
	964 521 037 04 APL	Classic grey	91		
-	000 043 071 00	Clamp		X	

Model: STZ Model life 1985>>1998

Pos	Part Number	Description	Remark	Qty	Model
		Mount Cover Bag Content 50 Pieces			
7	928 521 385 22	Foam part Manually adjustable		2	
(7)	928 521 385 23	Foam part Seat cushion	/L	1	
7	928 521 386 23	Electrically adjustable Foam part Seat cushion	/R	1	
(7)	928 521 385 24	Electrically adjustable Foam part Seat cushion	/L	1	
(7)	928 521 386 24	Electrically adjustable with heating Foam part Seat cushion	/R	1	
8	928 521 393 13	Electrically adjustable with heating Foam part Backrest frame for manual adjustment		2	
(8)	993 521 393 06	Foam part Backrest frame for electric adjustment See technical information		2	
(8)		6 ZYL. GR. 7D NR.1/94 Foam part Backrest frame for electric adjustment See technical information		2	
(8)	928 521 393 19	6 ZYL. GR. 7D NR.1/94 Foam part Backrest frame for electric adjustment Seat heater		2	
9	911 521 815 00	Lumbar support adjustment Rosette		4	
	911 521 815 00 01C	Satin black			
10	311 881 247	Clip		4	
11	911 521 817 00	Control button		4	
	911 521 817 00 01C	Satin black			

Model: STZ

Model life 1985>>1998





Model: STZ Model life 1985>>1998

Pos	Part Number	Description	Remark	Qty	Model
1	944 521 071 04	Cover Sports seat Backrest cover without heating Leatherette/ Centre part in cloth Pin stripe velour	-88	2	944/S TURBO/S
	944 521 071 04 JN1	Black/ Black-white			
	944 521 071 04 JN2	Brown/ Brown-beige			
	944 521 071 04 RC7	Light grey Light grey-white			
	944 521 071 04 LT2	Burgundy/ Burgundy-white			
(1)	944 521 071 08	Backrest cover with heating Leatherette/ Centre part in cloth Pin stripe velour		2	
	944 521 071 08 JN1	Black/ Black-white			
	944 521 071 08 JN2	Brown/ Brown-beige			
	944 521 071 08 RC7	Light grey Light grey-white			
	944 521 071 08 LT2	Burgundy/ Burgundy-white			
1	944 521 071 04	Backrest cover without heating Leatherette/ Centre part in cloth Pin stripe flannel		2	
	944 521 071 04 NX4	Black/antracite			
	944 521 071 04 NX5	Brown/brown			
	944 521 071 04 NX6	Light grey/light grey			
	944 521 071 04 NX7	Burgundy/burgundy			
(1)	944 521 071 08	Backrest cover with heating Leatherette/ Centre part in cloth Pin stripe flannel		2	
	944 521 071 08 NX4	Black/antracite			
	944 521 071 08 NX5	Brown/brown			
	944 521 071 08 NX6	Light grey/light grey			
	944 521 071 08 NX7	Burgundy/burgundy			
1	944 521 071 04	Backrest cover without heating Leatherette/ Centre part Porsche lettering cloth		2	
	944 521 071 04 PX1	Black/black			
	944 521 071 04 PX3	Brown/brown			
	944 521 071 04 NX9	Light grey/light grey			
	944 521 071 04 PX5	Burgundy/burgundy			
(1)	944 521 071 08	Backrest cover with heating Leatherette/ Centre part Porsche lettering cloth		2	
	944 521 071 08 PX1	Black/black			
	944 521 071 08 PX3	Brown/brown			
	944 521 071 08 NX9	Light grey/light grey			

Model: STZ Model life 1985>>1998

Pos	Part Number	Description	Remark	Qty	Model
1	944 521 071 08 PX5 944 521 071 60	Burgundy/burgundy Backrest cover without heating Leatherette/leather Centre part in cloth Pin stripe velour	-87	2	
	944 521 071 60 PY1	Black/black Black-white			
	944 521 071 60 PY2	Brown/ Brown-beige			
	944 521 071 60 PY6	Light grey Light grey-white			
	944 521 071 60 PY4	Burgundy/burgundy Burgundy-white			
	944 521 071 60 RC9	Light grey Light grey-white	86-		
1	944 521 071 70	Backrest cover with heating Leatherette/leather Centre part in cloth Pin stripe velour	-87	2	
	944 521 071 70 PY1	Black/ Black-white			
	944 521 071 70 PY2	Brown/ Brown-beige			
	944 521 071 70 PY6	Light grey Light grey-white			
	944 521 071 70 PY4	Burgundy Burgundy-white			
	944 521 071 70 RC9	Light grey Light grey-white	86-		
1	944 521 071 60	Backrest cover without heating Leatherette/leather Centre part in cloth Pin stripe flannel	-87	2	
	944 521 071 60 PZ2	Black/anthracite Anthracite			
	944 521 071 60 PZ3	Brown/brown Brown			
	944 521 071 60 PY8	Light grey Light grey			
	944 521 071 60 PZ5	Burgundy/burgundy Burgundy			
1	944 521 071 70	Backrest cover with heating Leatherette/leather Centre part in cloth Pin stripe flannel	-87	2	
	944 521 071 70 PZ2	Black/anthracite Anthracite			
	944 521 071 70 PZ3	Brown/brown Brown			
	944 521 071 70 PY8	Light grey/light grey Light grey			
	944 521 071 70 PZ5	Burgundy/burgundy Burgundy			
1	944 521 071 60	Backrest cover without heating Leatherette/leather Centre part Porsche lettering cloth	-87	2	
	944 521 071 60 PZ7	Black/black			

Model: STZ Model life 1985>>1998

Pos	Part Number	Description	Remark	Qty	Model
	944 521 071 60 PZ8	Black Brown/brown			
	944 521 071 60 PY7	Brown Light grey			
	944 521 071 60 QA1	Light grey Burgundy/burgundy			
1	944 521 071 70	Burgundy Backrest cover with heating Leatherette/leather Centre part Porsche lettering cloth	-87	2	
	944 521 071 70 PZ7	Black/black Black			
	944 521 071 70 PZ8	Brown/brown Brown			
	944 521 071 70 PY7	Light grey Light grey			
	944 521 071 70 QA1	Burgundy/burgundy Burgundy			
2	944 521 071 05	Backrest cover without heating Leatherette/ Backrest surface Pin stripe velour		2	
	944 521 071 05 NY5	Black/ Black-white			
	944 521 071 05 NY7	Brown/ Brown-beige			
	944 521 071 05 RC8	Light grey Light grey-white			
	944 521 071 05 NY8	Burgundy Burgundy-white			
(2)	944 521 071 72	Backrest cover with heating Leatherette/ Backrest surface Pin stripe velour		2	
	944 521 071 72 NY5	Black/ Black-white			
	944 521 071 72 NY7	Brown/ Brown-beige			
	944 521 071 72 RC8	Light grey Light grey-white			
	944 521 071 72 NY8	Burgundy Burgundy-white			
2	944 521 071 05	Backrest cover without heating Leatherette/ Backrest surface Pin stripe flannel		2	
	944 521 071 05 NY9	Black/anthracite			
	944 521 071 05 NZ6	Brown/brown			
	944 521 071 05 NZ4	Light grey/light grey			
	944 521 071 05 NZ5	Burgundy/burgundy			
(2)	944 521 071 72	Backrest cover with heating Leatherette/ Backrest surface Pin stripe flannel		2	
	944 521 071 72 NY9	Black/anthracite			
	944 521 071 72 NZ6	Brown/brown			
	944 521 071 72 NZ4	Light grey			

Model: STZ Model life 1985&gt;&gt;1998

Pos	Part Number	Description	Remark	Qty	Model
2	944 521 071 72 NZ5 944 521 071 05	Burgundy/burgundy Backrest cover without heating Leatherette/ Backrest surface Porsche lettering cloth		2	
(2)	944 521 071 05 PX2 944 521 071 05 PX4 944 521 071 05 NZ3 944 521 071 05 PX6 944 521 071 72	Black/black Brown/brown Light grey/light grey Burgundy/burgundy Backrest cover with heating Leatherette/ Backrest surface Porsche lettering cloth		2	
3	944 521 071 72 PX2 944 521 071 72 PX4 944 521 071 72 NZ3 944 521 071 72 PX6 944 521 071 61	Black/black Brown/brown Light grey/light grey Burgundy/burgundy Backrest cover without heating Leatherette Backrest surface Leather		2	
(3)	944 521 071 61 JN3 944 521 071 61 JN4 944 521 071 61 NZ7 944 521 071 61 NZ8 944 521 071 71	Black Brown Light grey Burgundy Backrest cover with heating Leatherette Backrest surface Leather		2	
3	944 521 071 71 JN3 944 521 071 71 JN4 944 521 071 71 NZ7 944 521 071 71 NZ8 944 521 071 62	Black Brown Light grey Burgundy Backrest cover without heating Whole-leather		2	
(3)	944 521 071 62 KZ2 944 521 071 62 KZ5 944 521 071 62 NZ9 944 521 071 62 LG7 944 521 071 62 KZ6 944 521 071 62 LG4 944 521 071 62 LG5 944 521 071 62 PZ1 944 521 071 73	Black Brown Light grey Burgundy Can-can-red Pearl white Champagne Wild buffalo Backrest cover with heating Whole-leather	-87	2	
4	944 521 071 73 KZ2 944 521 071 73 KZ5 944 521 071 73 NZ9 944 521 071 73 LG7 944 521 071 73 KZ6 944 521 071 73 LG4 944 521 071 73 LG5 944 521 071 73 PZ1 944 521 037 15	Black Brown Light grey Burgundy Can-can-red Pearl white Champagne Wild buffalo Cover for cushion without heating Leatherette/ Centre part in cloth	-87	2	

Model: STZ Model life 1985>>1998

Pos	Part Number	Description	Remark	Qty	Model
	944 521 037 15 JN1	Pin stripe velour Black/ Black-white			
	944 521 037 15 JN2	Brown/ Brown-beige			
	944 521 037 15 RC7	Light grey Light grey-white			
	944 521 037 15 LT2	Burgundy/ Burgundy-white			
(4)	944 521 037 18	Cover for cushion with heating Leatherette/ Centre part in cloth Pin stripe velour		2	
	944 521 037 18 JN1	Black/ Black-white			
	944 521 037 18 JN2	Brown/ Brown-beige			
	944 521 037 18 RC7	Light grey Light grey-white			
	944 521 037 18 LT2	Burgundy/ Burgundy-white			
4	944 521 037 15	Cover for cushion without heating Leatherette/ Centre part in cloth Pin stripe flannel		2	
	944 521 037 15 NX4	Black/anthracite			
	944 521 037 15 NX5	Brown/brown			
	944 521 037 15 NX6	Light grey/light grey			
	944 521 037 15 NX7	Burgundy/burgundy			
(4)	944 521 037 18	Cover for cushion with heating Leatherette/ Centre part in cloth Pin stripe flannel		2	
	944 521 037 18 NX4	Black/anthracite			
	944 521 037 18 NX5	Brown/brown			
	944 521 037 18 NX6	Light grey/light grey			
	944 521 037 18 NX7	Burgundy/burgundy			
4	944 521 037 15	Cover for cushion without heating Leatherette/ Centre part Porsche lettering cloth		2	
	944 521 037 15 PX1	Black/black			
	944 521 037 15 PX3	Brown/brown			
	944 521 037 15 NX9	Light grey/light grey			
	944 521 037 15 PX5	Burgundy/burgundy			
(4)	944 521 037 18	Cover for cushion with heating Leatherette/ Centre part Porsche lettering cloth		2	
	944 521 037 18 PX1	Black/black			
	944 521 037 18 PX3	Brown/brown			
	944 521 037 18 NX9	Light grey/light grey			
	944 521 037 18 PX5	Burgundy/burgundy			
4	944 521 037 83	Cover for cushion without heating Leatherette/leather Centre part in cloth Pin stripe velour	-87	2	

Model: STZ Model life 1985>>1998

Pos	Part Number	Description	Remark	Qty	Model
	944 521 037 83 PY1	Black/black			
		Black-white			
	944 521 037 83 PY2	Brown/			
		Brown-beige			
	944 521 037 83 PY6	Light grey	-85		
		Light grey-white			
	944 521 037 83 PY4	Burgundy/burgundy			
		Burgundy-white			
	944 521 037 83 RC9	Light grey	86-		
		Light grey-white			
(4)	944 521 037 92	Cover for cushion with heating Leatherette/leather Centre part in cloth Pin stripe velour	-87	2	
	944 521 037 92 PY1	Black/			
		Black-white			
	944 521 037 92 PY2	Brown/			
		Brown-beige			
	944 521 037 92 PY6	Light grey	-85		
		Light grey-white			
	944 521 037 92 PY4	Burgundy/burgundy			
		Burgundy-white			
	944 521 037 92 RC9	Light grey	86-		
		Light grey-white			
4	944 521 037 83	Cover for cushion without heating Leatherette/leather Centre part in cloth Pin stripe flannel	-87	2	
	944 521 037 83 PZ2	Black/black			
		Anthracite			
	944 521 037 83 PZ3	Brown/brown			
		Brown			
	944 521 037 83 PY8	Light grey/light grey			
		Light grey			
	944 521 037 83 PZ5	Burgundy/burgundy			
		Burgundy			
(4)	944 521 037 92	Cover for cushion with heating Leatherette/leather Centre part in cloth Pin stripe flannel	-87	2	
	944 521 037 92 PZ2	Black/black			
		Anthracite			
	944 521 037 92 PZ3	Brown/brown			
		Brown			
	944 521 037 92 PY8	Light grey/light grey			
		Light grey			
	944 521 037 92 PZ5	Burgundy/burgundy			
		Burgundy			
4	944 521 037 83	Cover for cushion without heating Leatherette/leather Centre part Porsche lettering cloth	-87	2	
	944 521 037 83 PZ7	Black/black			
		Black			
	944 521 037 83 PZ8	Brown/brown			
		Brown			
	944 521 037 83 PY7	Light grey/light grey			
		Light grey			
	944 521 037 83 QA1	Burgundy/burgundy			

Model: STZ Model life 1985>>1998

Pos	Part Number	Description	Remark	Qty	Model
(4)	944 521 037 92	Burgundy Cover for cushion with heating Leatherette/leather Centre part Porsche lettering cloth	-87	2	
	944 521 037 92 PZ7	Black/black Black			
	944 521 037 92 PZ8	Brown/brown Brown			
	944 521 037 92 PY7	Light grey/light grey Light grey			
	944 521 037 92 QA1	Burgundy/burgundy Burgundy			
5	944 521 037 16	Cover for cushion without heating Leatherette/ Seat surface Pin stripe velour		2	
	944 521 037 16 NY5	Black/ Black-white			
	944 521 037 16 NY7	Brown/ Brown-beige			
	944 521 037 16 RC8	Light grey Light grey-white			
	944 521 037 16 NY8	Burgundy Burgundy-white			
(5)	944 521 037 94	Cover for cushion with heating Leatherette/ Seat surface Pin stripe velour		2	
	944 521 037 94 NY5	Black/ Black-white			
	944 521 037 94 NY7	Brown/ Brown-beige			
	944 521 037 94 RC8	Light grey Light grey-white			
	944 521 037 94 NY8	Burgundy/ Burgundy-white			
5	944 521 037 16	Cover for cushion without heating Leatherette/ Seat surface Pin stripe flannel		2	
	944 521 037 16 NY9	Black/anthracite			
	944 521 037 16 NZ6	Brown/brown			
	944 521 037 16 NZ4	Light grey/light grey			
	944 521 037 16 NZ5	Burgundy/burgundy			
(5)	944 521 037 94	Cover for cushion with heating Leatherette/ Seat surface Pin stripe flannel		2	
	944 521 037 94 NY9	Black/anthracite			
	944 521 037 94 NZ6	Brown/brown			
	944 521 037 94 NZ4	Light grey/light grey			
	944 521 037 94 NZ5	Burgundy/burgundy			
5	944 521 037 16	Cover for cushion without heating Leatherette/ Seat surface Porsche lettering cloth		2	

Model: STZ Model life 1985>>1998

Pos	Part Number	Description	Remark	Qty	Model
(5)	944 521 037 16 PX2	Black/black		2	
	944 521 037 16 PX4	Brown/brown			
	944 521 037 16 NZ3	Light grey/light grey			
	944 521 037 16 PX6	Burgundy/burgundy			
	944 521 037 94	Cover for cushion with heating Leatherette/ Seat surface Porsche lettering cloth			
6	944 521 037 94 PX2	Black/black		2	
	944 521 037 94 PX4	Brown/brown			
	944 521 037 94 NZ3	Light grey/light grey			
	944 521 037 94 PX6	Burgundy/burgundy			
	944 521 037 84	Cover for cushion without heating Leatherette/ Seat surface Leather			
(6)	944 521 037 84 JN3	Black/black		2	
	944 521 037 84 JN4	Brown/brown			
	944 521 037 84 NZ7	Light grey/light grey			
	944 521 037 84 NZ8	Burgundy/burgundy			
	944 521 037 93	Cover for cushion with heating Leatherette/ Seat surface Leather			
6	944 521 037 93 JN3	Black/black		2	
	944 521 037 93 JN4	Brown/brown			
	944 521 037 93 NZ7	Light grey/light grey			
	944 521 037 93 NZ8	Burgundy/burgundy			
	944 521 037 85	Cover for cushion without heating Whole-leather			
	944 521 037 85 KZ2	Black			
	944 521 037 85 KZ5	Brown			
	944 521 037 85 NZ9	Light grey			
	944 521 037 85 LG7	Burgundy			
	944 521 037 85 KZ6	Can-can-red			
(6)	944 521 037 85 LG4	Pearl white		2	
	944 521 037 85 LG5	Champagne			
	944 521 037 85 PZ1	Wild buffalo	-87		
	944 521 037 95	Cover for cushion with heating Whole-leather			
	944 521 037 95 KZ2	Black			
	944 521 037 95 KZ5	Brown			
	944 521 037 95 NZ9	Light grey			
	944 521 037 95 LG7	Burgundy			
	944 521 037 95 KZ6	Can-can-red			
	944 521 037 95 LG4	Pearl white			
-	944 521 037 95 LG5	Champagne		X	
	944 521 037 95 PZ1	Wild buffalo	-87		
	000 043 071 00	Clamp Mount Cover Bag Content 50 Pieces			
	911 521 815 00	Rosette			
	911 521 815 00 01C	Satin black			
	311 881 247	Clip			

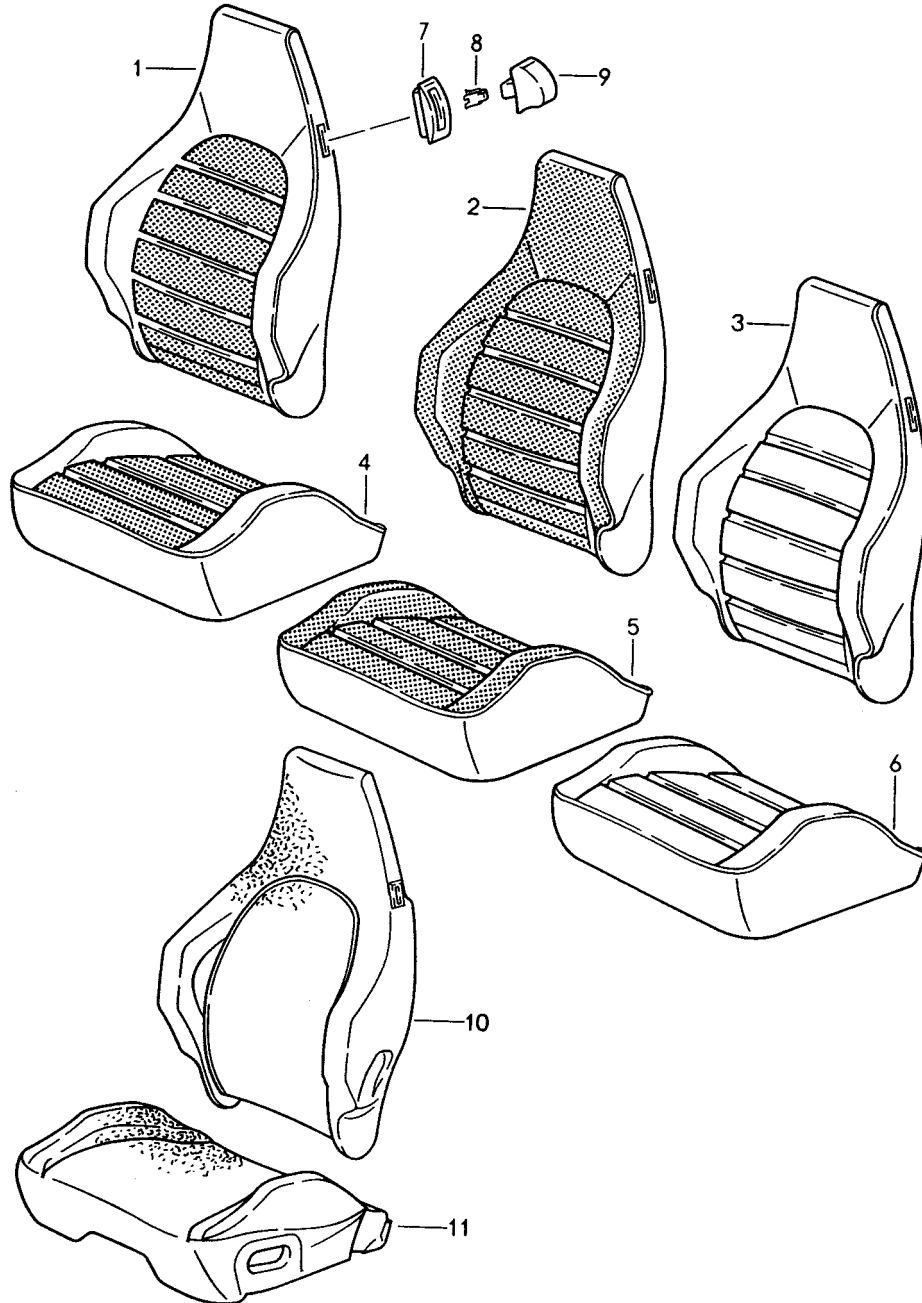
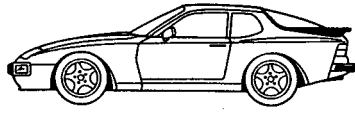


Model: STZ Model life 1985>>1998

Pos	Part Number	Description	Remark	Qty	Model
9	911 521 817 00	Control button		4	
	911 521 817 00 01C	Satin black			
10	928 521 393 15	Foam part Backrest frame		2	
11	928 521 385 27	Foam part Seat cushion	/L	1	
(11)	928 521 386 27	Foam part Seat cushion	/R	1	
(11)	928 521 385 28	Foam part Seat cushion with heating	/L	1	
(11)	928 521 386 28	Foam part Seat cushion with heating	/R	1	
-	911 653 901 00	Heating element Seat surface		1	
-	911 653 902 00	Heating element Backrest		1	
-	000 043 071 00	Clamp Set 50		X	

Model: STZ

Model life 1985>>1998



Model: STZ Model life 1985>>1998

Pos	Part Number	Description	Remark	Qty	Model
1	944 521 071 04	Cover Sports seat Backrest cover without heating Leatherette/ Centre part Pin stripe velour	89-91	2	944/S2 TURBO
	944 521 071 04 JN1	Black/ Black-white	-90		
	944 521 071 04 XJ8	Blue/ Blue-white	-90		
	944 521 071 04 XH1	Linen/ Linen white	-90		
	944 521 071 04 LT2	Burgundy/ Burgundy-white	-90		
(1)	964 521 071 07	Backrest cover with heating Leatherette/ Centre part Pin stripe velour		2	
	964 521 071 07 JN1	Black/ Black-white	-90		
	964 521 071 07 XJ8	Blue/ Blue-white	-90		
	964 521 071 07 XH1	Linen/ Linen white	-90		
	964 521 071 07 LT2	Burgundy/ Burgundy-white	-90		
1	944 521 071 04	Backrest cover without heating Leatherette/ Centre part Multicolour		2	
	944 521 071 04 XJ1	Black/black			
	944 521 071 04 XJ4	Marine blue/marine blue	-90		
	944 521 071 04 XH5	Linen/linen	-90		
	944 521 071 04 XJ6	Burgundy/burgundy	-90		
	944 521 071 04 ARC	Cobalt blue/cobalt blue	91		
	944 521 071 04 APC	Classic grey/classic grey	91		
(1)	964 521 071 07	Backrest cover with heating Leatherette/ Centre part Multicolour		2	
	964 521 071 07 XJ1	Black/black			
	964 521 071 07 XJ4	Marine blue/marine blue	-90		
	964 521 071 07 XH5	Linen/linen	-90		
	964 521 071 07 XJ6	Burgundy/burgundy	-90		
	964 521 071 07 ARC	Cobalt blue/cobalt blue	91		
	964 521 071 07 APC	Classic grey/classic grey	91		
1	944 521 071 04	Backrest cover without heating Leatherette/ Centre part Porsche lettering cloth		2	
	944 521 071 04 PX1	Black/black			
	944 521 071 04 XJ9	Marine blue/marine blue	-90		
	944 521 071 04 XH3	Linen/linen	-90		
	944 521 071 04 PX5	Burgundy/burgundy	-90		
	944 521 071 04 ARA	Cobalt blue/cobalt blue	91		
	944 521 071 04 APA	Classic grey/classic grey	91		
(1)	964 521 071 07	Backrest cover with heating		2	

Model: STZ Model life 1985>>1998

Pos	Part Number	Description	Remark	Qty	Model
		Leatherette/ Centre part Porsche lettering cloth			
	964 521 071 07 PX1	Black/black			
	964 521 071 07 XJ9	Marine blue/marine blue	-90		
	964 521 071 07 XH3	Linen/linen	-90		
	964 521 071 07 PX5	Burgundy/burgundy	-90		
	964 521 071 07 ARA	Cobalt blue/cobalt blue	91		
	964 521 071 07 APA	Classic grey/classic grey	91		
2	944 521 071 05	Backrest cover without heating Leatherette/ Backrest surface Pin stripe velour		2	
	944 521 071 05 NY5	Black/ Black-white	-90		
	944 521 071 05 TR7	Blue/ Blue-white	-90		
	944 521 071 05 XK2	Linen/ Linen white	-90		
	944 521 071 05 NY8	Burgundy Burgundy-white	-90		
(2)	964 521 071 08	Backrest cover with heating Leatherette/ Backrest surface Pin stripe velour		2	
	964 521 071 08 NY5	Black/ Black-white	-90		
	964 521 071 08 TR7	Blue/ Blue-white	-90		
	964 521 071 08 XK2	Linen/ Linen white	-90		
	964 521 071 08 NY8	Burgundy/ Burgundy-white	-90		
2	944 521 071 05	Backrest cover without heating Leatherette/ Backrest surface Multicolour		2	
	944 521 071 05 XK8	Black/black			
	944 521 071 05 XN1	Marine blue/blue	-90		
	944 521 071 05 XK4	Linen/linen	-90		
	944 521 071 05 XN2	Burgundy/burgundy	-90		
	944 521 071 05 AQV	Cobalt blue/cobalt blue	91		
	944 521 071 05 AQP	Classic grey/classic grey	91		
(2)	964 521 071 08	Backrest cover with heating Leatherette/ Backrest surface Multicolour		2	
	964 521 071 08 XK8	Black/black			
	964 521 071 08 XN1	Marine blue/blue	-90		
	964 521 071 08 XK4	Linen/linen	-90		
	964 521 071 08 XN2	Burgundy/burgundy	-90		
	964 521 071 08 AQV	Cobalt blue/cobalt blue	91		
	964 521 071 08 AQP	Classic grey/classic grey	91		
2	944 521 071 05	Backrest cover without heating Leatherette/ Backrest surface Porsche lettering cloth		2	
	944 521 071 05 PX2	Black/black			

Model: STZ Model life 1985>>1998

Pos	Part Number	Description	Remark	Qty	Model
	944 521 071 05 TR9	Marine blue	-90		
	944 521 071 05 XK3	Linen/linen	-90		
	944 521 071 05 PX6	Burgundy/burgundy	-90		
	944 521 071 05 ARM	Cobalt blue/cobalt blue	91		
	944 521 071 05 APM	Classic grey/classic grey	91		
(2)	964 521 071 08	Backrest cover with heating Leatherette/ Backrest surface Porsche lettering cloth		2	
	964 521 071 08 PX2	Black/black			
	964 521 071 08 TR9	Marine blue/blue	-90		
	964 521 071 08 XK3	Linen/linen	-90		
	964 521 071 08 PX6	Burgundy/burgundy	-90		
	964 521 071 08 ARM	Cobalt blue/cobalt blue	91		
	964 521 071 08 APM	Classic grey/classic grey	91		
3	944 521 071 61	Backrest cover without heating Leatherette/ Backrest surface Leather		2	
	944 521 071 61 JN3	Black			
	944 521 071 61 TW2	Linen	-90		
	944 521 071 61 NZ8	Burgundy	-90		
	944 521 071 61 TS2	Marine blue	-90		
	944 521 071 61 ARK	Cobalt blue/cobalt blue	91		
	944 521 071 61 APK	Classic grey/classic grey	91		
(3)	964 521 071 10	Backrest cover with heating Leatherette/ Backrest surface Leather		2	
	964 521 071 10 JN3	Black			
	964 521 071 10 TW2	Linen	-90		
	964 521 071 10 NZ8	Burgundy	-90		
	964 521 071 10 TS2	Marine blue	-90		
	964 521 071 10 ARK	Cobalt blue/cobalt blue	91		
	964 521 071 10 APK	Classic grey/classic grey	91		
3	944 521 071 62	Backrest cover without heating Whole-leather		2	
	944 521 071 62 KZ2	Black			
	944 521 071 62 TW1	Linen	-90		
	944 521 071 62 LG7	Burgundy	-90		
	944 521 071 62 TS1	Marine blue	-90		
	944 521 071 62 ARL	Cobalt blue	91		
	944 521 071 62 APL	Classic grey	91		
(3)	964 521 071 11	Backrest cover with heating Whole-leather		2	
	964 521 071 11 KZ2	Black			
	964 521 071 11 TW1	Linen	-90		
	964 521 071 11 LG7	Burgundy	-90		
	964 521 071 11 TS1	Marine blue	-90		
	964 521 071 11 ARL	Cobalt blue	91		
	964 521 071 11 APL	Classic grey	91		
4	944 521 037 15	Cover for cushion without heating Leatherette/ Centre part Pin stripe velour		2	
	944 521 037 15 JN1	Black/ Black-white	-90		

Model: STZ Model life 1985>>1998

Pos	Part Number	Description	Remark	Qty	Model
	944 521 037 15 XJ8	Blue/ Blue-white	-90		
	944 521 037 15 XH1	Linen/ Linen white	-90		
	944 521 037 15 LT2	Burgundy/ Burgundy-white	-90		
(4)	964 521 037 07	Seat cover with heating Leatherette/ Centre part Pin stripe velour		2	
	964 521 037 07 JN1	Black/ Black-white	-90		
	964 521 037 07 XJ8	Blue/ Blue-white	-90		
	964 521 037 07 XH1	Linen/ Linen white	-90		
	964 521 037 07 LT2	Burgundy/ Burgundy-white	-90		
4	944 521 037 15	Cover for cushion without heating Leatherette/ Centre part Multicolour		2	
	944 521 037 15 XJ1	Black/black			
	944 521 037 15 XJ4	Marine blue/marine blue	-90		
	944 521 037 15 XH5	Linen/linen	-90		
	944 521 037 15 XJ6	Burgundy/burgundy	-90		
	944 521 037 15 ARC	Cobalt blue/cobalt blue	91		
	944 521 037 15 APC	Classic grey/classic grey	91		
(4)	964 521 037 07	Seat cover with heating Leatherette/ Centre part Multicolour		2	
	964 521 037 07 XJ1	Black/black			
	964 521 037 07 XJ4	Marine blue/marine blue	-90		
	964 521 037 07 XH5	Linen/linen	-90		
	964 521 037 07 XJ6	Burgundy/burgundy	-90		
	964 521 037 07 ARC	Cobalt blue/cobalt blue	91		
	964 521 037 07 APC	Classic grey/classic grey	91		
4	944 521 037 15	Cover for cushion without heating Leatherette/ Centre part Porsche lettering cloth		2	
	944 521 037 15 PX1	Black/black			
	944 521 037 15 XJ9	Marine blue/marine blue	-90		
	944 521 037 15 XH3	Linen/linen	-90		
	944 521 037 15 PX5	Burgundy/burgundy	-90		
	944 521 037 15 ARA	Cobalt blue/cobalt blue	91		
	944 521 037 15 APA	Classic grey/classic grey	91		
(4)	964 521 037 07	Seat cover with heating Leatherette/ Centre part Porsche lettering cloth		2	
	964 521 037 07 PX1	Black/black			
	964 521 037 07 XJ9	Marine blue/marine blue	-90		
	964 521 037 07 XH3	Linen/linen	-90		
	964 521 037 07 PX5	Burgundy/burgundy	-90		
	964 521 037 07 ARA	Cobalt blue/cobalt blue	91		
	964 521 037 07 APA	Classic grey/classic grey	91		

Model: STZ Model life 1985>>1998

Pos	Part Number	Description	Remark	Qty	Model
5	944 521 037 16	Cover for cushion without heating Leatherette/ Seat surface Pin stripe velour		2	
	944 521 037 16 NY5	Black/ Black-white	-90		
	944 521 037 16 TR7	Blue/ Blue-white	-90		
	944 521 037 16 XK2	Linen/ Linen white	-90		
	944 521 037 16 NY8	Burgundy Burgundy-white	-90		
(5)	964 521 037 08	Cover for cushion with heating Leatherette/ Seat surface Pin stripe velour		2	
	964 521 037 08 NY5	Black/ Black-white	-90		
	964 521 037 08 TR7	Blue/ Blue-white	-90		
	964 521 037 08 XK2	Linen/ Linen white	-90		
	964 521 037 08 NY8	Burgundy/ Burgundy-white	-90		
5	944 521 037 16	Cover for cushion without heating Leatherette/ Seat surface Multicolour		2	
	944 521 037 16 XK8	Black/black			
	944 521 037 16 XN1	Marine blue/blue	-90		
	944 521 037 16 XK4	Linen/linen	-90		
	944 521 037 16 XN2	Burgundy/burgundy	-90		
	944 521 037 16 AQV	Cobalt blue/cobalt blue	91		
	944 521 037 16 AQP	Classic grey/classic grey	91		
(5)	964 521 037 08	Cover for cushion with heating Leatherette/ Seat surface Multicolour		2	
	964 521 037 08 XK8	Black/black			
	964 521 037 08 XN1	Marine blue/marine blue	-90		
	964 521 037 08 XK4	Linen/linen	-90		
	964 521 037 08 XN2	Burgundy/burgundy	-90		
	964 521 037 08 AQV	Cobalt blue/cobalt blue	91		
	964 521 037 08 AQP	Classic grey/classic grey	91		
5	944 521 037 16	Cover for cushion without heating Leatherette/ Seat surface Porsche lettering cloth		2	
	944 521 037 16 PX2	Black/black			
	944 521 037 16 TR9	Marine blue	-90		
	944 521 037 16 XK3	Linen/linen	-90		
	944 521 037 16 PX6	Burgundy/burgundy	-90		
	944 521 037 16 ARM	Cobalt blue/cobalt blue	91		
	944 521 037 16 APM	Classic grey/classic grey	91		
(5)	964 521 037 08	Cover for cushion with heating Leatherette/ Seat surface		2	

Model: STZ Model life 1985>>1998

Pos	Part Number	Description	Remark	Qty	Model
	964 521 037 08 PX2	Porsche lettering cloth Black/black			
	964 521 037 08 TR9	Marine blue/blue	-90		
	964 521 037 08 XK3	Linen/linen	-90		
	964 521 037 08 PX6	Burgundy/burgundy	-90		
	964 521 037 08 ARM	Cobalt blue/cobalt blue	91		
	964 521 037 08 APM	Classic grey/classic grey	91		
6	944 521 037 84	Cover for cushion without heating Leatherette/ Seat surface Leather		2	
	944 521 037 84 JN3	Black/black			
	944 521 037 84 TW2	Linen/linen	-90		
	944 521 037 84 NZ8	Burgundy/burgundy	-90		
	944 521 037 84 TS2	Marine blue/marine blue	-90		
	944 521 037 84 ARK	Cobalt blue/cobalt blue	91		
	944 521 037 84 APK	Classic grey/classic grey	91		
(6)	964 521 037 10	Seat cover with heating Leatherette/ Seat surface Leather		2	
	964 521 037 10 JN3	Black			
	964 521 037 10 TW2	Linen	-90		
	964 521 037 10 NZ8	Burgundy	-90		
	964 521 037 10 TS2	Marine blue	-90		
	964 521 037 10 ARK	Cobalt blue/cobalt blue	91		
	964 521 037 10 APK	Classic grey/classic grey	91		
6	944 521 037 85	Cover for cushion without heating Whole-leather		2	
	944 521 037 85 KZ2	Black			
	944 521 037 85 TW1	Linen	-90		
	944 521 037 85 LG7	Burgundy	-90		
	944 521 037 85 TS1	Marine blue	-90		
	944 521 037 85 ARL	Cobalt blue	91		
	944 521 037 85 APL	Classic grey	91		
(6)	964 521 037 11	Cover for cushion with heating Whole-leather		2	
	964 521 037 11 KZ2	Black			
	964 521 037 11 TW1	Linen	-90		
	964 521 037 11 LG7	Burgundy	-90		
	964 521 037 11 TS1	Marine blue	-90		
	964 521 037 11 ARL	Cobalt blue	91		
	964 521 037 11 APL	Classic grey	91		
-	000 043 071 00	Clamp Mount Cover Bag Content 50 Pieces		X	
7	911 521 815 00	Rosette		4	
	911 521 815 00 01C	Satin black			
8	311 881 247	Clip		4	
9	911 521 817 00	Control button		4	
	911 521 817 00 01C	Satin black			
10	928 521 393 15	Foam part Backrest frame		2	
11	928 521 385 27	Foam part Seat cushion	/L	1	



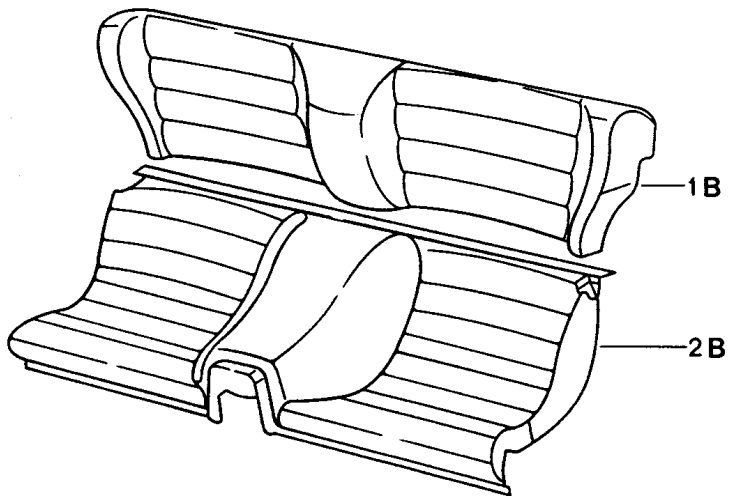
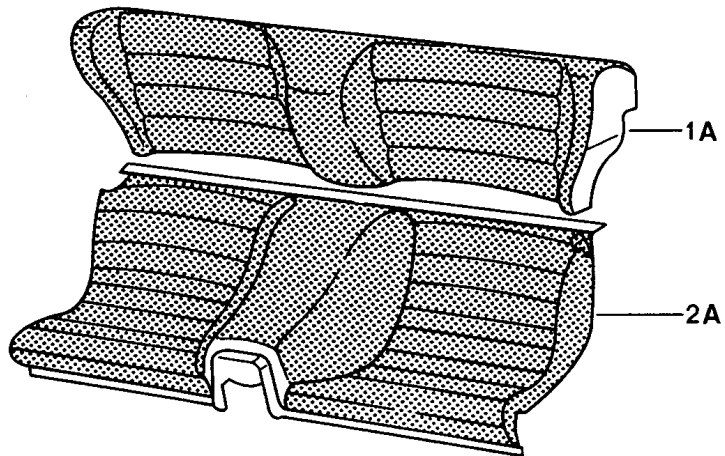
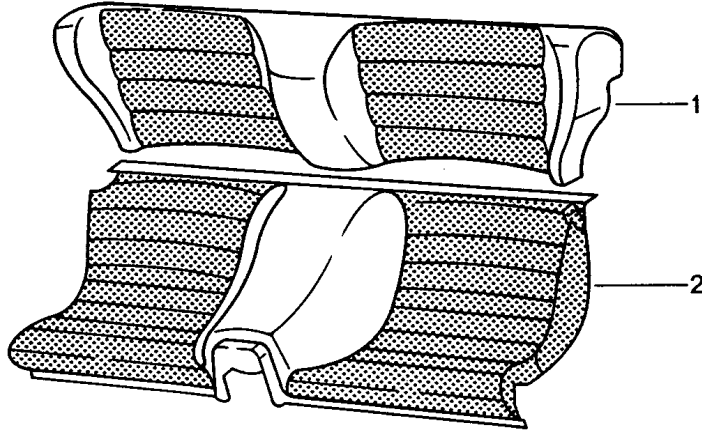
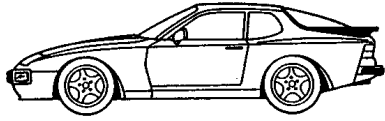
Model: STZ

Model life 1985&gt;&gt;1998

Pos	Part Number	Description	Remark	Qty	Model
(11)	928 521 386 27	Foam part Seat cushion	/R	1	
(11)	928 521 385 28	Foam part Seat cushion with heating	/L	1	
(11)	928 521 386 28	Foam part Seat cushion with heating	/R	1	

Model: STZ

Model life 1985>>1998



Model: STZ Model life 1985>>1998

Pos	Part Number	Description	Remark	Qty	Model
1	944 522 045 00	Back seat Complete Backrest Leatherette/ Centre part in cloth Pin stripe velour	-88	1	944/S TURBO/S
	944 522 045 00 JN1	Black/ Black-white			
	944 522 045 00 JN2	Brown/ Brown-beige			
	944 522 045 00 RC7	Light grey Light grey-white			
	944 522 045 00 LT2	Burgundy/ Burgundy-white			
1	944 522 045 00	Backrest Leatherette/ Centre part in cloth Pin stripe flannel		1	
	944 522 045 00 NX4	Black/anthracite			
	944 522 045 00 NX5	Brown/brown			
	944 522 045 00 NX6	Light grey/light grey			
	944 522 045 00 NX7	Burgundy/burgundy			
1	944 522 045 00	Backrest Leatherette/ Centre part Porsche lettering cloth		1	
	944 522 045 00 PX1	Black/black			
	944 522 045 00 PX3	Brown/brown			
	944 522 045 00 NX9	Light grey/light grey			
	944 522 045 00 PX5	Burgundy/burgundy			
1A	944 522 045 05	Backrest Leatherette/ Backrest surface Pin stripe velour		1	
	944 522 045 05 NY5	Black/ Black-white			
	944 522 045 05 NY7	Brown/ Brown-beige			
	944 522 045 05 RC8	Light grey Light grey-white			
	944 522 045 05 NY8	Burgundy Burgundy-white			
1A	944 522 045 05	Backrest Leatherette/ Backrest surface Pin stripe flannel		1	
	944 522 045 05 NY9	Black/anthracite			
	944 522 045 05 NZ6	Brown/brown			
	944 522 045 05 NZ4	Light grey/light grey			
	944 522 045 05 NZ5	Burgundy/burgundy			
1A	944 522 045 05	Backrest Leatherette/ Backrest surface Porsche lettering cloth		1	
	944 522 045 05 PX2	Black/black			
	944 522 045 05 PX4	Brown/brown			
	944 522 045 05 NZ3	Light grey/light grey			
	944 522 045 05 PX6	Burgundy/burgundy			
1B	944 522 045 04	Backrest Leatherette		1	
	944 522 045 04 JN3	Black			
	944 522 045 04 JN4	Brown			
	944 522 045 04 NZ7	Light grey			

Model: STZ Model life 1985>>1998

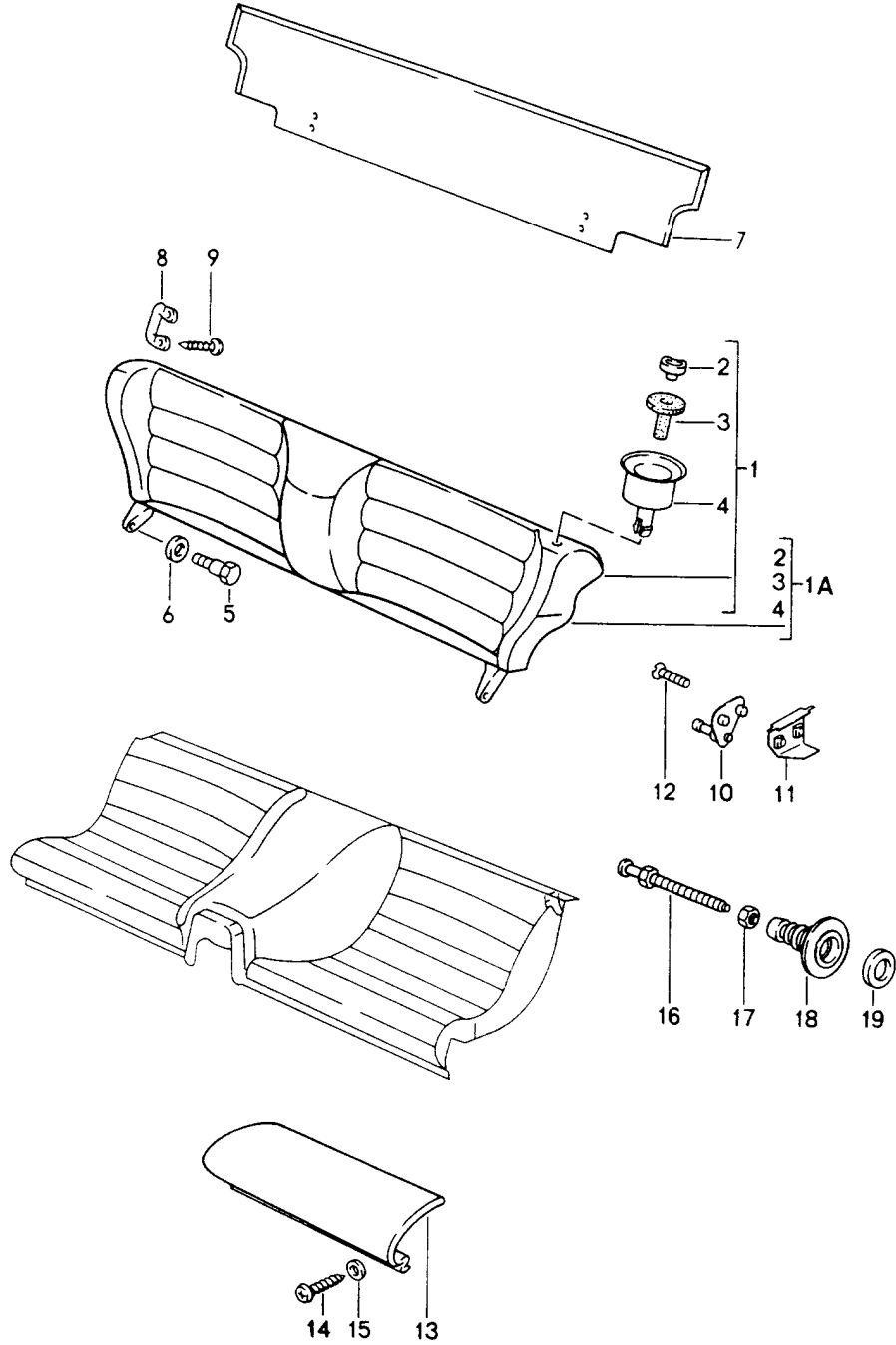
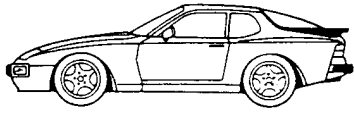
Pos	Part Number	Description	Remark	Qty	Model				
1B	944 522 045 04 NZ8	Burgundy		1					
	944 522 045 50	Backrest							
		Whole-leather							
	944 522 045 50 KZ2	Black							
	944 522 045 50 KZ5	Cadbury brown							
	944 522 045 50 NZ9	Light grey							
	944 522 045 50 LG7	Burgundy							
	944 522 045 50 KZ6	Can-can-red							
	944 522 045 50 LG4	Pearl white							
	944 522 045 50 LG5	Champagne							
2	944 522 045 50 PZ1	Wild buffalo	-87	1					
	477 885 871 B	Seat cushion							
		Leatherette							
		Centre part in cloth							
		Pin stripe velour							
	477 885 871 B JN1	Black/							
		Black-white							
	477 885 871 B JN2	Brown/							
		Brown-beige							
	477 885 871 B RC7	Light grey							
	Light grey-white								
2	477 885 871 B LT2	Burgundy/		1					
		Burgundy-white							
	477 885 871 B	Seat cushion							
		Leatherette/							
		Centre part in cloth							
		Pin stripe flannel							
	477 885 871 B NX4	Black/anthracite							
	477 885 871 B NX5	Brown/brown							
	477 885 871 B NX6	Light grey/light grey							
	477 885 871 B NX7	Burgundy/burgundy							
2	477 885 871 B	Seat cushion		1					
		Leatherette							
		Centre part							
		Porsche lettering cloth							
	477 885 871 B PX1	Black/black							
	477 885 871 B PX3	Brown/brown							
	477 885 871 B NX9	Light grey/light grey							
	477 885 871 B PX5	Burgundy/burgundy							
	2A	944 522 073 04				Seat cushion	87-	1	
						Seat surface			
		Pin stripe velour							
944 522 073 04 NY5		Black-white							
		Black-white							
944 522 073 04 NY7		Brown-beige							
		Brown-beige							
944 522 073 04 RC8		Light grey-white							
		Light grey-white							
944 522 073 04 NY8		Burgundy-white							
	Burgundy-white								
2A	944 522 073 04	Seat cushion	87-	1					
		Seat surface							
		Pin stripe flannel							
	944 522 073 04 NY9	Black/anthracite							
	944 522 073 04 NZ6	Brown/brown							
	944 522 073 04 NZ4	Light grey/light grey							
	944 522 073 04 NZ5	Burgundy-burgundy							
	2A	944 522 073 04	Seat cushion			87-	1		
			Seat surface						
			Porsche lettering cloth						
944 522 073 04 PX2		Black/black							
944 522 073 04 PX4		Brown/brown							
944 522 073 04 NZ3	Light grey/light grey								

Model: STZ Model life 1985>>1998

Pos	Part Number	Description	Remark	Qty	Model
2B	944 522 073 04 PX6	Burgundy/burgundy	87-	1	
	944 522 073 03	Seat cushion			
		Leatherette			
	944 522 073 03 JN3	Black			
	944 522 073 03 JN4	Brown			
2B	944 522 073 03 NZ7	Light grey	-87	1	
	944 522 073 03 NZ8	Burgundy			
	944 522 073 50	Seat cushion			
		Whole-leather			
	944 522 073 50 KZ2	Black			
	944 522 073 50 KZ5	Brown			
	944 522 073 50 NZ9	Light grey			
	944 522 073 50 LG7	Burgundy			
	944 522 073 50 KZ6	Can-can-red			
	944 522 073 50 LG4	Pearl white			
	944 522 073 50 LG5	Champagne			
	944 522 073 50 PZ1	Wild buffalo			

Model: STZ

Model life 1985>>1998



Model: STZ Model life 1985>>1998

Pos	Part Number	Description	Remark	Qty	Model
1		Back seat Single parts See group 8/04/36	-88	1	944/S TURBO/S
1A		See group 8/04/36		1	
2	944 522 317 00	Push button		2	
	944 522 317 00 01C	Satin black			
3	944 522 319 00	Guide piece		2	
4	944 522 315 00	Rosette		2	
	944 522 315 00 01C	Satin black			
5	477 885 767	Hexagon-head bolt M 6		2	
6	900 025 007 03	Washer		2	
6	900 025 007 02	Washer A 8,4		2	
6	900 025 007 03	Washer A 8,4		2	
7	944 522 831 00	Carpet for Back seat backrest		1	
	944 522 831 00 3BF	Black	85		
	944 522 831 00 8NF	Brown	85		
	944 522 831 00 4BF	Grey	85		
	944 522 831 00 2LF	Burgundy	85		
	944 522 831 00 5MD	Can-can-red	85		
	944 522 831 00 1YD	Pearl white	85		
	944 522 831 00 4VC	Champagne	-86		
	944 522 831 00 1DR	Black	86-		
	944 522 831 00 9RR	Brown	86-		
	944 522 831 00 2FR	Light grey	86-		
	944 522 831 00 4JR	Burgundy	86-		
	944 522 831 00 2MC	Can-can-red	86-		
	944 522 831 00 3YC	White	86-		
8	477 885 761	Retaining bar		2	
9	N 014 096 3	Rais. counters. h. tap. s. B 4,2 X 22		4	
10	944 522 029 00	Locking lug F >>94GN4 52782	/L	1	944 TURBO
		F >>95GN1 51432			
(10)	944 522 030 00	Locking lug F >>94GN4 52782	/R	1	944 TURBO
		F >>95GN1 51432			
11	944 522 031 00	Support Locking lug F >>94GN4 52782		2	944 TURBO
		F >>95GN1 51432			
12	999 219 012 07	Countersunk-head screw M 6 X 22 Self-locking F >>94GN4 52782		4	944 TURBO
		F >>95GN1 51432			
16	944 522 267 00	Retaining pivot F 94GN4 52783>>		2	944 TURBO
		F 95GN1 51433>>			
17	N 011 111 2	Nut BM 12 X 1,5 F 94GN4 52783>>		4	944 TURBO
		F 95GN1 51433>>			
18	944 522 053 00	Lining F 94GN4 52783>>	/L	1	944 TURBO
		F 95GN1 51433>>			
	944 522 053 00 01C	Satin black			

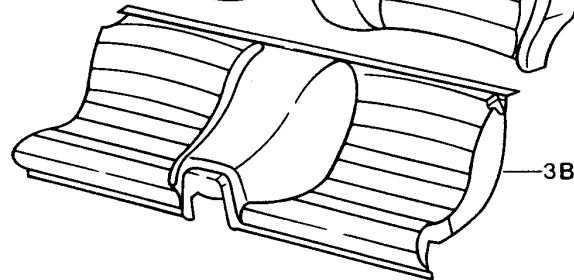
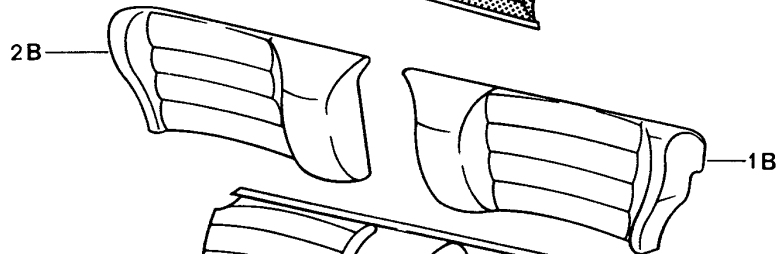
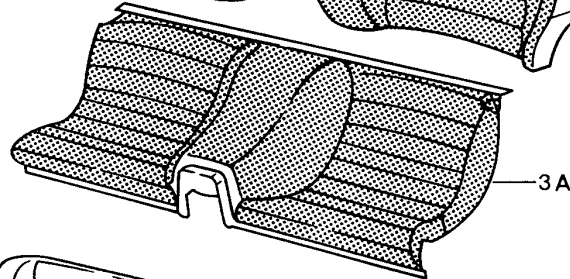
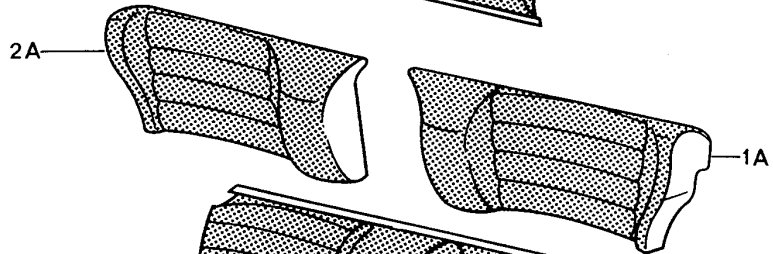
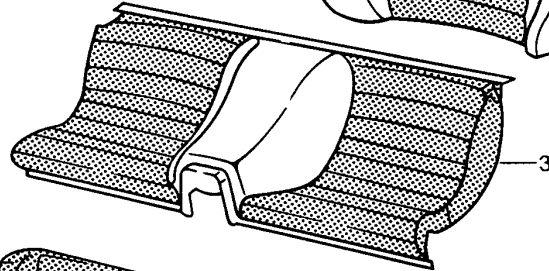
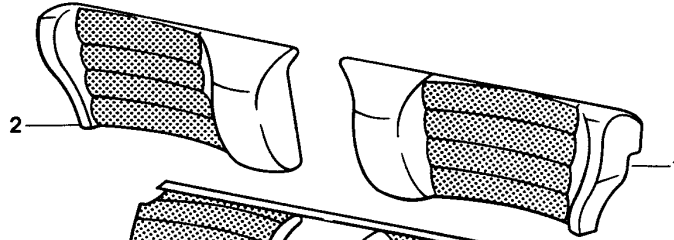
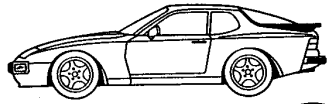
Model: STZ Model life 1985>>1998

Pos	Part Number	Description	Remark	Qty	Model
(18)	944 522 054 00 944 522 054 00 01C	Lining Satin black F 94GN4 52783>> F 95GN1 51433>>	/R	1	944 TURBO
19	N 011 675 2	Washer B 15 F 94GN4 52783>> F 95GN1 51433>>		2	944 TURBO
-	944 522 281 00	Lock	/L	1	
-	944 522 282 00	Lock	/R	1	



Model: STZ

Model life 1985>>1998



Model: STZ Model life 1985>>1998

Pos	Part Number	Description	Remark	Qty	Model
1	944 522 045 01	Back seat Complete Divided Backrest Leatherette/ Centre part in cloth Pin stripe velour Carpet	-88	1	944/S TURBO/S
	944 522 045 01 JN1	Black/ Black-white Black			
	944 522 045 01 JN2	Brown/ Brown-beige Brown			
	944 522 045 01 RC7	Light grey Light grey-white Light grey			
	944 522 045 01 LT2	Burgundy/ Burgundy-white Burgundy			
	944 522 045 01 UA2	Black/ Black-white Light grey			
2	944 522 046 01	Backrest Leatherette/ Centre part in cloth Pin stripe velour Carpet		1	
	944 522 046 01 JN1	Black/ Black-white Black			
	944 522 046 01 JN2	Brown/ Brown-beige Brown			
	944 522 046 01 RC7	Light grey Light grey-white Light grey			
	944 522 046 01 LT2	Burgundy/ Burgundy-white Burgundy			
	944 522 046 01 UA2	Black/ Black-white Light grey			
1	944 522 045 01	Backrest Leatherette/ Centre part in cloth Pin stripe flannel Carpet		1	
	944 522 045 01 NX4	Black/anthracite Black			
	944 522 045 01 NX5	Brown/brown Brown			
	944 522 045 01 NX6	Light grey/light grey Light grey			
	944 522 045 01 NX7	Burgundy/burgundy Burgundy			
	944 522 045 01 UA3	Black/anthracite Light grey			
2	944 522 046 01	Backrest Leatherette/ Centre part in cloth Pin stripe flannel Carpet		1	

Model: STZ Model life 1985>>1998

Pos	Part Number	Description	Remark	Qty	Model
	944 522 046 01 NX4	Black/anthracite Black			
	944 522 046 01 NX5	Brown/brown Brown			
	944 522 046 01 NX6	Light grey/light grey Light grey			
	944 522 046 01 NX7	Burgundy-burgundy Burgundy			
	944 522 046 01 UA3	Black/anthracite Light grey			
1	944 522 045 01	Backrest Leatherette/ Centre part Porsche lettering cloth Carpet		1	
	944 522 045 01 PX1	Black/black Black			
	944 522 045 01 PX3	Brown/brown Brown			
	944 522 045 01 NX9	Light grey/light grey Light grey			
	944 522 045 01 PX5	Burgundy/burgundy Burgundy			
	944 522 045 01 UA4	Black/black Light grey			
2	944 522 046 01	Backrest Leatherette/ Centre part Porsche lettering cloth Carpet		1	
	944 522 046 01 PX1	Black/black Black			
	944 522 046 01 PX3	Brown/brown Brown			
	944 522 046 01 NX9	Light grey/light grey Light grey			
	944 522 046 01 PX5	Burgundy/burgundy Burgundy			
	944 522 046 01 UA4	Black/black Light grey			
1A	944 522 045 02	Backrest Leatherette/ Backrest surface Pin stripe velour Carpet	/L	1	
	944 522 045 02 NY5	Black/ Black-white Black			
	944 522 045 02 NY7	Brown/ Brown-beige Brown			
	944 522 045 02 RC8	Light grey Light grey-white Light grey			
	944 522 045 02 NY8	Burgundy/ Burgundy-white Burgundy			
	944 522 045 02 UA5	Black/ Black-white Light grey			
2A	944 522 046 02	Backrest Leatherette/ Backrest surface	/R	1	

Model: STZ Model life 1985>>1998

Pos	Part Number	Description	Remark	Qty	Model
		Pin stripe velour Carpet			
	944 522 046 02 NY5	Black/ Black-white Black			
	944 522 046 02 NY7	Brown/ Brown-beige Brown			
	944 522 046 02 RC8	Light grey Light grey-white Light grey			
	944 522 046 02 NY8	Burgundy/ Burgundy-white Burgundy			
	944 522 046 02 UA5	Black/ Black-white Light grey			
1A	944 522 045 02	Backrest Leatherette/ Backrest surface Pin stripe flannel Carpet	/L	1	
	944 522 045 02 NY9	Black/anthracite Black			
	944 522 045 02 NZ6	Brown/brown Brown			
	944 522 045 02 NZ4	Light grey/light grey Light grey			
	944 522 045 02 NZ5	Burgundy-burgundy Burgundy			
	944 522 045 02 UA6	Black/anthracite Light grey			
2A	944 522 046 02	Backrest Leatherette/ Backrest surface Pin stripe flannel Carpet	/R	1	
	944 522 046 02 NY9	Black/anthracite Black			
	944 522 046 02 NZ6	Brown/brown Brown			
	944 522 046 02 NZ4	Light grey/light grey Light grey			
	944 522 046 02 NZ5	Burgundy-burgundy Burgundy			
	944 522 046 02 UA6	Black/anthracite Light grey			
1A	944 522 045 02	Backrest Leatherette/ Backrest surface Porsche lettering cloth Carpet	/L	1	
	944 522 045 02 PX2	Black/black Black			
	944 522 045 02 PX4	Brown/brown Brown			
	944 522 045 02 NZ3	Light grey/light grey Light grey			
	944 522 045 02 PX6	Burgundy/burgundy Burgundy			
	944 522 045 02 UA7	Black/black Light grey			
2A	944 522 046 02	Backrest	/R	1	

Model: STZ Model life 1985>>1998

Pos	Part Number	Description	Remark	Qty	Model
		Leatherette/ Backrest surface Porsche lettering cloth Carpet			
	944 522 046 02 PX2	Black/black			
		Black			
	944 522 046 02 PX4	Brown/brown			
		Brown			
	944 522 046 02 NZ3	Light grey/light grey			
		Light grey			
	944 522 046 02 PX6	Burgundy/burgundy			
		Burgundy			
	944 522 046 02 UA7	Black/black			
		Light grey			
1A	944 522 045 02	Backrest	/L 88	1	M757
		Backrest surface			
		Multicolour			
		Carpet			
	944 522 045 02 UR4	Grey			
		Silver-grey			
2A	944 522 046 02	Backrest	/R 88	1	M757
		Backrest surface			
		Multicolour			
		Carpet			
	944 522 046 02 UR4	Grey			
		Silver-grey			
1A	944 522 045 02	Backrest	/L 88	1	M758
		Backrest surface			
		Multicolour			
		Carpet			
	944 522 045 02 XF2	Burgundy/burgundy			
2A	944 522 046 02	Backrest	/R 88	1	M758
		Backrest surface			
		Multicolour			
		Carpet			
	944 522 046 02 XF2	Burgundy/burgundy			
1B	944 522 045 03	Backrest	/L	1	
		Leatherette/ Carpet			
	944 522 045 03 JN3	Black			
	944 522 045 03 JN4	Brown			
	944 522 045 03 NZ7	Light grey			
	944 522 045 03 NZ8	Burgundy			
	944 522 045 03 UA8	Light grey			
2B	944 522 046 03	Backrest	/R	1	
		Leatherette/ Carpet			
	944 522 046 03 JN3	Black			
	944 522 046 03 JN4	Brown			
	944 522 046 03 NZ7	Light grey			
	944 522 046 03 NZ8	Burgundy			
	944 522 046 03 UA8	Light grey			
1B	944 522 045 51	Backrest	/L	1	
		Leather/ Carpet			
	944 522 045 51 KZ2	Black/black			
	944 522 045 51 KZ5	Brown			
	944 522 045 51 NZ9	Light grey			
	944 522 045 51 LG7	Burgundy/burgundy			
	944 522 045 51 UA9	Black			
	944 522 045 51 UB1	Black			
		Black			
	944 522 045 51 UB2	Brown			

Model: STZ Model life 1985>>1998

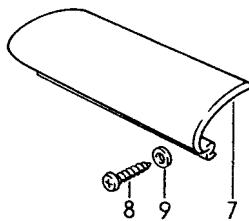
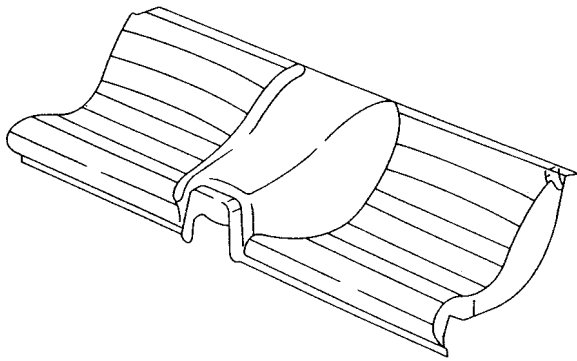
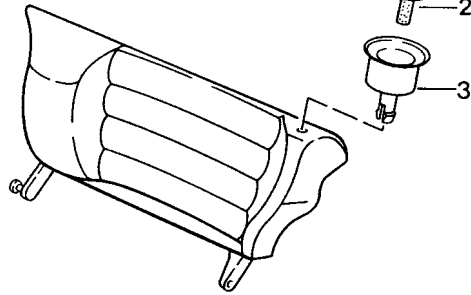
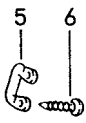
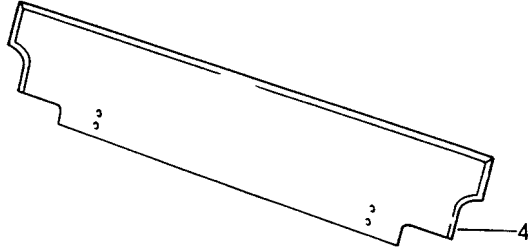
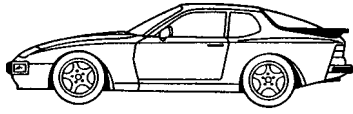
Pos	Part Number	Description	Remark	Qty	Model
	944 522 045 51 UB3	Brown Black			
	944 522 045 51 UB4	Black Burgundy Burgundy			
	944 522 045 51 UB5	Black Black			
	944 522 045 51 KZ6	Can-can-red			
	944 522 045 51 LG4	Pearl white White			
	944 522 045 51 LG5	Champagne/champagne			
	944 522 045 51 PZ1	Brown	-87		
	944 522 045 51 UB6	Brown Brown			
2B	944 522 046 51	Backrest Leather/ Carpet	/R	1	
	944 522 046 51 KZ2	Black/black			
	944 522 046 51 KZ5	Brown			
	944 522 046 51 NZ9	Light grey/light grey			
	944 522 046 51 LG7	Burgundy/burgundy			
	944 522 046 51 UA9	Black			
	944 522 046 51 UB1	Black Black			
	944 522 046 51 UB2	Brown Brown			
	944 522 046 51 UB3	Black Black			
	944 522 046 51 UB4	Burgundy Burgundy			
	944 522 046 51 UB5	Black Black			
	944 522 046 51 KZ6	Can-can-red			
	944 522 046 51 LG4	White White			
	944 522 046 51 LG5	Champagne/champagne			
	944 522 046 51 PZ1	Brown	-87		
	944 522 046 51 UB6	Brown Brown			
3	944 522 073 00	Seat cushion Leatherette/ Centre part in cloth Pin stripe velour		1	
	944 522 073 00 JN1	Black/ Black-white			
	944 522 073 00 JN2	Brown/ Brown-beige			
	944 522 073 00 RC7	Light grey Light grey-white			
	944 522 073 00 LT2	Burgundy/ Burgundy-white			
3	944 522 073 00	Seat cushion Leatherette/ Centre part in cloth Pin stripe flannel		1	
	944 522 073 00 NX4	Black/anthracite			
	944 522 073 00 NX5	Brown/brown			
	944 522 073 00 NX6	Light grey/light grey			
	944 522 073 00 NX7	Burgundy-burgundy			
3	944 522 073 00	Seat cushion Leatherette/		1	

Model: STZ Model life 1985>>1998

Pos	Part Number	Description	Remark	Qty	Model
		Centre part Porsche lettering cloth			
	944 522 073 00 PX1	Black/black			
	944 522 073 00 PX3	Brown/brown			
	944 522 073 00 NX9	Light grey/light grey			
	944 522 073 00 PX5	Burgundy-burgundy			
3A	944 522 073 01	Seat cushion Leatherette/ Seat surface Pin stripe velour		1	
	944 522 073 01 NY5	Black/ Black-white			
	944 522 073 01 NY7	Brown/ Brown-beige			
	944 522 073 01 RC8	Light grey Light grey-white			
	944 522 073 01 NY8	Burgundy/ Burgundy-white			
3A	944 522 073 01	Seat cushion Leatherette/ Seat surface Pin stripe flannel		1	
	944 522 073 01 NY9	Black/anthracite			
	944 522 073 01 NZ6	Brown/brown			
	944 522 073 01 NZ4	Light grey/light grey			
	944 522 073 01 NZ5	Burgundy-burgundy			
3A	944 522 073 01	Seat cushion Leatherette/ Seat surface Porsche lettering cloth		1	
	944 522 073 01 PX2	Black/black			
	944 522 073 01 PX4	Brown/brown			
	944 522 073 01 NZ3	Light grey/light grey			
	944 522 073 01 PX6	Burgundy-burgundy			
3A	944 522 073 01	Seat cushion Leatherette/ Seat surface Multicolour		1	M757
3A	944 522 073 01 US8	Grey Seat cushion Leatherette/ Seat surface Multicolour		1	M758
3B	944 522 073 01 XF1	Burgundy-burgundy Seat cushion Leatherette		1	
	944 522 073 02 JN3	Black			
	944 522 073 02 JN4	Brown			
	944 522 073 02 NZ7	Light grey			
	944 522 073 02 NZ8	Burgundy			
3B	944 522 073 51	Seat cushion Whole-leather		1	
	944 522 073 51 KZ2	Black			
	944 522 073 51 KZ5	Brown			
	944 522 073 51 NZ9	Light grey			
	944 522 073 51 LG7	Burgundy			
	944 522 073 51 KZ6	Can-can-red			
	944 522 073 51 LG5	Champagne			
	944 522 073 51 LG4	Pearl white			
	944 522 073 51 PZ1	Wild buffalo	-87		

Model: STZ

Model life 1985>>1998



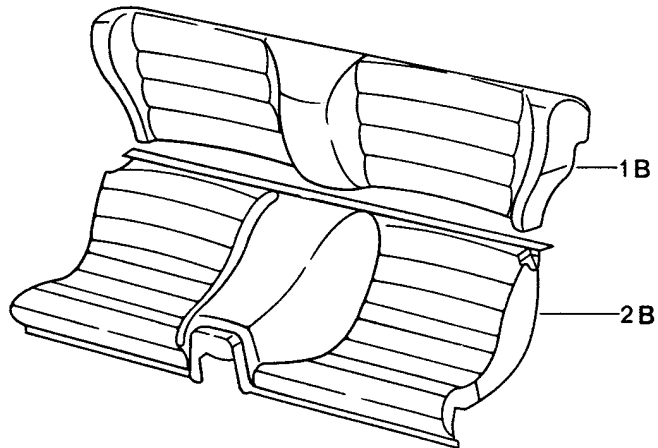
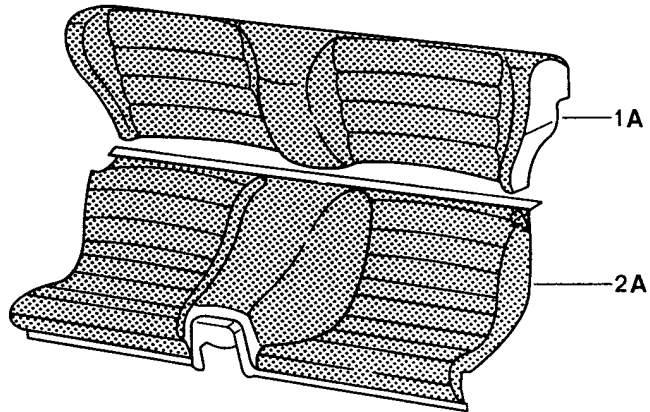
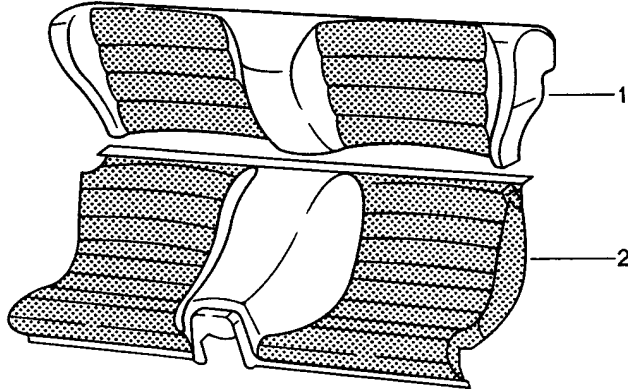
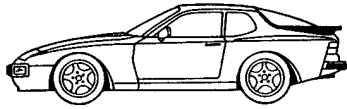


Model: STZ Model life 1985&gt;&gt;1998

Pos	Part Number	Description	Remark	Qty	Model
		Back seat Divided Single parts	-88		944/S TURBO/S
1	944 522 317 00	Push button		2	
	944 522 317 00 01C	Satin black			
2	944 522 319 00	Guide piece		2	
3	944 522 315 00	Rosette		2	
	944 522 315 00 01C	Satin black			
(4)	944 522 831 01	Carpet for Back seat backrest	/L	1	
	944 522 831 01 1DR	Black			
	944 522 831 01 9RR	Brown			
	944 522 831 01 2FR	Light grey			
	944 522 831 01 4JR	Burgundy			
	944 522 831 01 8FC	Silver-grey	88		
(4)	944 522 832 01	Carpet for Back seat backrest	/R	1	
	944 522 832 01 1DR	Black			
	944 522 832 01 9RR	Brown			
	944 522 832 01 2FR	Light grey			
	944 522 832 01 4JR	Burgundy			
	944 522 832 01 8FC	Silver-grey	88		
5	477 885 761	Retaining bar		2	
6	N 014 096 3	Rais. counters. h. tap. s. B 4,2 X 22		4	
10	944 522 267 00	Retaining pivot		2	
11	N 011 111 2	Nut BM 12 X 1,5		4	
12	944 522 053 00	Lining	/L	1	
	944 522 053 00 01C	Satin black			
(12)	944 522 054 00	Lining	/R	1	
	944 522 054 00 01C	Satin black			
13	N 011 675 2	Washer B 15		2	
-	944 522 281 00	Lock	/L	1	
-	944 522 282 00	Lock	/R	1	

Model: STZ

Model life 1985>>1998



Model: STZ Model life 1985&gt;&gt;1998

Pos	Part Number	Description	Remark	Qty	Model
		Back seat Complete	89-90		944/S2 TURBO COUPE
1	944 522 045 00	Backrest Leatherette/ Centre part in cloth Pin stripe velour		1	
	944 522 045 00 JN1	Black/ Black-white			
	944 522 045 00 XJ8	Blue/ Blue-white			
	944 522 045 00 XH1	Linen/ Linen white			
	944 522 045 00 LT2	Burgundy/ Burgundy-white			
1	944 522 045 00	Backrest Leatherette/ Centre part in cloth Multicolour		1	
	944 522 045 00 XJ1	Black/black			
	944 522 045 00 XJ4	Marine blue/marine blue			
	944 522 045 00 XH5	Linen/linen			
	944 522 045 00 XJ6	Burgundy/burgundy			
1	944 522 045 00	Backrest Leatherette/ Centre part Porsche lettering cloth		1	
	944 522 045 00 PX1	Black/black			
	944 522 045 00 XJ9	Marine blue/marine blue			
	944 522 045 00 XH3	Linen/linen			
	944 522 045 00 PX5	Burgundy/burgundy			
1A	944 522 045 05	Backrest Leatherette/ Backrest surface Pin stripe velour		1	
	944 522 045 05 NY5	Black/ Black-white			
	944 522 045 05 TR7	Blue/ Blue-white			
	944 522 045 05 XK2	Linen/ Linen white			
	944 522 045 05 NY8	Burgundy Burgundy-white			
1A	944 522 045 05	Backrest Leatherette/ Backrest surface Multicolour		1	
	944 522 045 05 XK8	Black/black			
	944 522 045 05 XN1	Marine blue/marine blue			
	944 522 045 05 XK4	Linen/linen			
	944 522 045 05 XN2	Burgundy/burgundy			
1A	944 522 045 05	Backrest Leatherette/ Backrest surface Porsche lettering cloth		1	
	944 522 045 05 PX2	Black/black			
	944 522 045 05 TR9	Marine blue/marine blue			
	944 522 045 05 XK3	Linen/linen			
	944 522 045 05 PX6	Burgundy/burgundy			
1B	944 522 045 04	Backrest Leatherette		1	
	944 522 045 04 JN3	Black			
	944 522 045 04 TS2	Marine blue			

Model: STZ Model life 1985>>1998

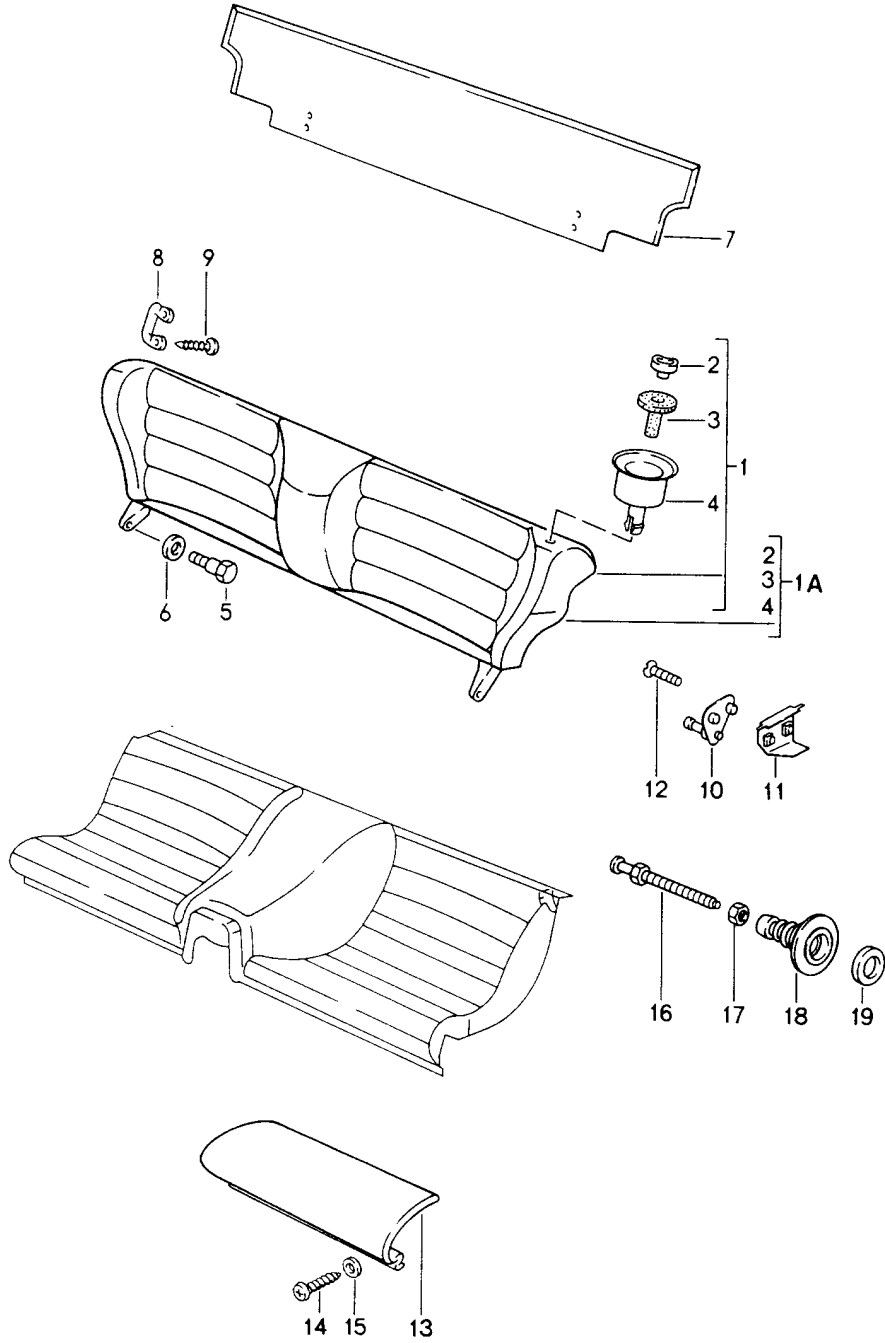
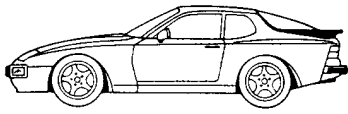
Pos	Part Number	Description	Remark	Qty	Model
1B	944 522 045 04 TW2	Linen		1	
	944 522 045 04 NZ8	Burgundy			
	944 522 045 50	Backrest Whole-leather			
	944 522 045 50 KZ2	Black			
	944 522 045 50 TS1	Marine blue			
	944 522 045 50 TW1	Linen			
	944 522 045 50 LG7	Burgundy			
2	477 885 871 B	Seat cushion Leatherette/ Centre part in cloth Pin stripe velour		1	
	477 885 871 B JN1	Black/ Black-white			
	477 885 871 B XJ8	Blue/ Blue-white			
	477 885 871 B XH1	Linen/ Linen white			
	477 885 871 B LT2	Burgundy/ Burgundy-white			
	477 885 871 B	Seat cushion Leatherette/ Centre part in cloth Multicolour			
	477 885 871 B XJ1	Black/black			
	477 885 871 B XJ4	Marine blue/marine blue			
	477 885 871 B XH5	Linen/linen			
	477 885 871 B XJ6	Burgundy/burgundy			
2	477 885 871 B	Seat cushion Leatherette/ Centre part Porsche lettering cloth		1	
	477 885 871 B PX1	Black/black			
	477 885 871 B XJ9	Marine blue/marine blue			
	477 885 871 B XH3	Linen/linen			
	477 885 871 B PX5	Burgundy/burgundy			
	944 522 073 04	Seat cushion Leatherette/ Seat surface Pin stripe velour			
	944 522 073 04 NY5	Black-white Black-white			
	944 522 073 04 TR7	Marine blue-white Blue-white			
	944 522 073 04 XK2	Linen white Linen white			
	944 522 073 04 NY8	Burgundy-white Burgundy-white			
2A	944 522 073 04	Seat cushion Leatherette/ Seat surface Multicolour		1	
	944 522 073 04 XK8	Black/black			
	944 522 073 04 XN1	Marine blue/marine blue			
	944 522 073 04 XK4	Linen/linen			
	944 522 073 04 NZ5	Burgundy-burgundy			
	944 522 073 04	Seat cushion Leatherette/ Seat surface Porsche lettering cloth			
	944 522 073 04 PX2	Black/black			
	944 522 073 04 TR9	Marine blue/marine blue			
	944 522 073 04 XK3	Linen/linen			
	944 522 073 04	Seat cushion Leatherette/ Seat surface Porsche lettering cloth			

Model: STZ Model life 1985>>1998

Pos	Part Number	Description	Remark	Qty	Model
2B	944 522 073 04 PX6	Burgundy/burgundy		1	
	944 522 073 03	Seat cushion			
		Leatherette			
	944 522 073 03 JN3	Black			
	944 522 073 03 TS2	Marine blue			
2B	944 522 073 03 TW2	Linen		1	
	944 522 073 03 NZ8	Burgundy			
	944 522 073 50	Seat cushion			
		Whole-leather			
	944 522 073 50 KZ2	Black			
	944 522 073 50 TS1	Marine blue			
	944 522 073 50 TW1	Linen			
	944 522 073 50 LG7	Burgundy			

Model: STZ

Model life 1985>>1998

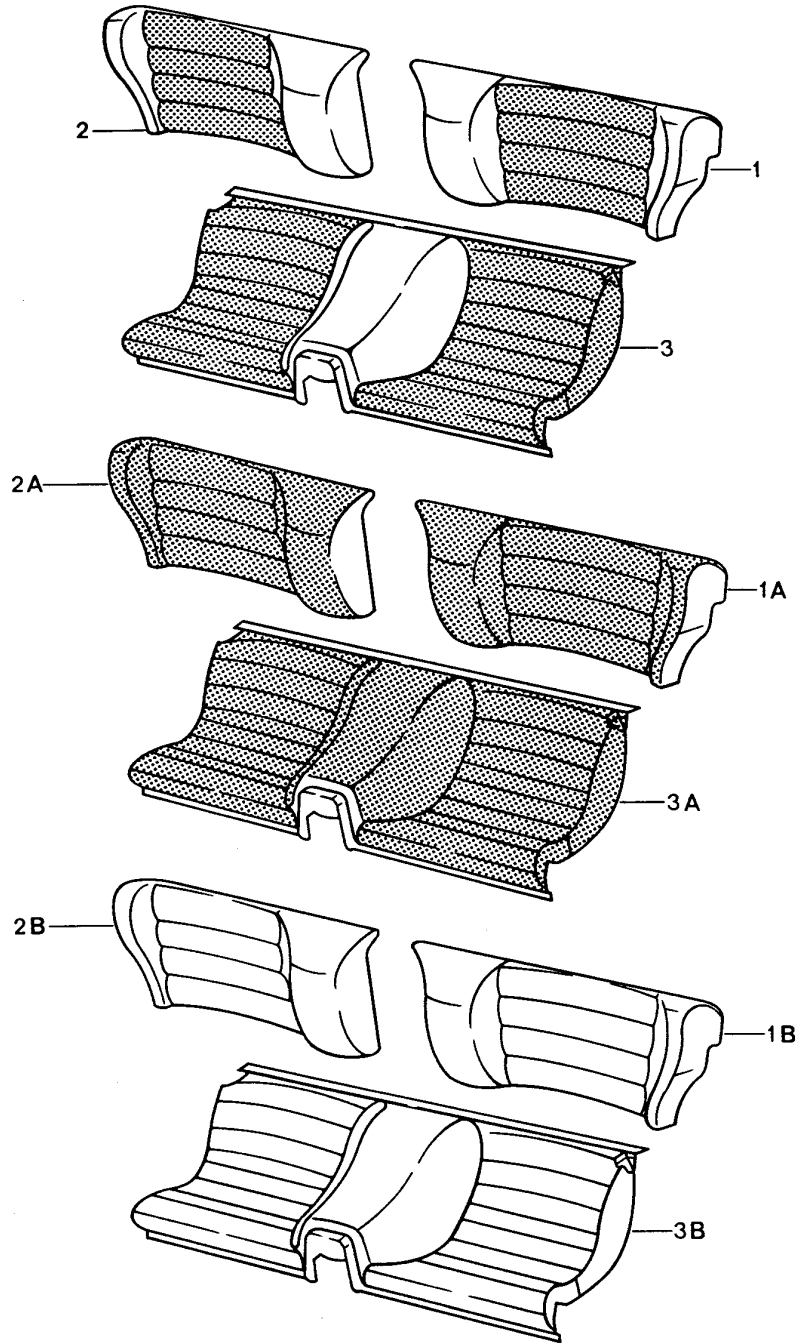
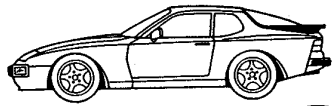


Model: STZ Model life 1985>>1998

Pos	Part Number	Description	Remark	Qty	Model
		Back seat Single parts	89-90		944/S2 TURBO COUPE
1		See group 8/04/44		1	
1A		See group 8/04/44		1	
2	944 522 317 00	Push button		2	
	944 522 317 00 01C	Satin black			
3	944 522 319 00	Guide piece		2	
4	944 522 315 00	Rosette		2	
	944 522 315 00 01C	Satin black			
5	477 885 767	Hexagon-head bolt M 6		2	
6	900 025 007 03	Washer		2	
6	900 025 007 02	Washer A 8,4		2	
6	900 025 007 03	Washer A 8,4		2	
7	944 522 831 00	Carpet for Back seat backrest		1	
	944 522 831 00 1DR	Black			
	944 522 831 00 4KF	Marine blue			
	944 522 831 00 8WC	Linen			
	944 522 831 00 4JR	Burgundy			
8	477 885 761	Retaining bar		2	
9	N 014 096 3	Rais. counters. h. tap. s. B 4,2 X 22		4	
10	944 522 029 00	Locking lug	/L	1	
(10)	944 522 030 00	Locking lug	/R	1	
11	944 522 031 00	Support Locking lug		2	
12	999 219 012 07	Countersunk-head screw M 6 X 22 Self-locking		4	
16	944 522 267 00	Retaining pivot		2	
17	N 011 111 2	Nut BM 12 X 1,5		4	
18	944 522 053 00	Lining	/L	1	
	944 522 053 00 01C	Satin black			
(18)	944 522 054 00	Lining	/R	1	
	944 522 054 00 01C	Satin black			
19	N 011 675 2	Washer B 15		2	
-	944 522 281 00	Lock	/L	1	
-	944 522 282 00	Lock	/R	1	

Model: STZ

Model life 1985>>1998





Model: STZ Model life 1985>>1998

Pos	Part Number	Description	Remark	Qty	Model
1	944 522 045 01	Back seat Complete Divided Backrest Leatherette/ Centre part in cloth Pin stripe velour Carpet	89-91 /L	1	944/S2 TURBO COUPE
	944 522 045 01 JN1	Black/ Black-white	-90		
	944 522 045 01 XJ8	Black Blue/ Blue-white	-90		
	944 522 045 01 XH1	Marine blue Linen/ Linen white Linen	-90		
	944 522 045 01 LT2	Burgundy/ Burgundy-white Burgundy	-90		
2	944 522 046 01	Backrest Leatherette/ Centre part in cloth Pin stripe velour Carpet	/R	1	
	944 522 046 01 JN1	Black/ Black-white Black	-90		
	944 522 046 01 XJ8	Blue/ Blue-white Marine blue	-90		
	944 522 046 01 XH1	Linen/ Linen white Linen	-90		
	944 522 046 01 LT2	Burgundy/ Burgundy-white Burgundy	-90		
1	944 522 045 01	Backrest Leatherette/ Centre part in cloth Multicolour Carpet	/L	1	
	944 522 045 01 XJ1	Black/black Black			
	944 522 045 01 XJ4	Marine blue/marine blue Marine blue	-90		
	944 522 045 01 XH5	Linen/linen Linen	-90		
	944 522 045 01 XJ6	Burgundy/burgundy Burgundy	-90		
	944 522 045 01 ARC	Cobalt blue/cobalt blue Cobalt blue	91		
	944 522 045 01 APC	Classic grey/classic grey Classic grey	91		
2	944 522 046 01	Backrest Leatherette/ Centre part in cloth Multicolour Carpet	/R	1	
	944 522 046 01 XJ1	Black/black Black			
	944 522 046 01 XJ4	Marine blue/marine blue Marine blue	-90		

Model: STZ Model life 1985>>1998

Pos	Part Number	Description	Remark	Qty	Model
	944 522 046 01 XH5	Linen/linen Linen	-90		
	944 522 046 01 XJ6	Burgundy/burgundy Burgundy	-90		
	944 522 046 01 ARC	Cobalt blue/cobalt blue Cobalt blue	91		
	944 522 046 01 APC	Classic grey/classic grey Classic grey	91		
1	944 522 045 01	Backrest Leatherette/ Centre part Porsche lettering cloth Carpet	/L	1	
	944 522 045 01 PX1	Black/black Black			
	944 522 045 01 XJ9	Marine blue/marine blue Marine blue	-90		
	944 522 045 01 XH3	Linen/linen Linen	-90		
	944 522 045 01 PX5	Burgundy/burgundy Burgundy	-90		
	944 522 045 01 ARA	Cobalt blue/cobalt blue Cobalt blue	91		
	944 522 045 01 APA	Classic grey/classic grey Classic grey	91		
2	944 522 046 01	Backrest Leatherette/ Centre part Porsche lettering cloth Carpet	/R	1	
	944 522 046 01 PX1	Black/black Black			
	944 522 046 01 XJ9	Marine blue Marine blue	-90		
	944 522 046 01 XH3	Linen/linen Linen	-90		
	944 522 046 01 PX5	Burgundy/burgundy Burgundy	-90		
	944 522 046 01 ARA	Cobalt blue/cobalt blue Cobalt blue	91		
	944 522 046 01 APA	Classic grey/classic grey Classic grey	91		
1A	944 522 045 02	Backrest Leatherette/ Backrest surface Pin stripe velour Carpet	/L	1	
	944 522 045 02 NY5	Black/ Black-white Black	-90		
	944 522 045 02 TR7	Blue/ Blue-white Marine blue	-90		
	944 522 045 02 XK2	Linen/ Linen/linen Linen	-90		
	944 522 045 02 NY8	Burgundy/ Burgundy-white Burgundy	-90		
2A	944 522 046 02	Backrest Leatherette/ Backrest surface Pin stripe velour	/R	1	

Model: STZ Model life 1985>>1998

Pos	Part Number	Description	Remark	Qty	Model
	944 522 046 02 NY5	Carpet Black/ Black-white	-90		
	944 522 046 02 TR7	Black Blue/ Blue-white Marine blue	-90		
	944 522 046 02 XK2	Linen/ Linen/linen Linen	-90		
	944 522 046 02 NY8	Burgundy/ Burgundy-white Burgundy	-90		
1A	944 522 045 02	Backrest Leatherette/ Backrest surface Multicolour Carpet	/L	1	
	944 522 045 02 XK8	Black/black Black			
	944 522 045 02 XN1	Marine blue/marine blue Marine blue	-90		
	944 522 045 02 XK4	Linen/linen Linen	-90		
	944 522 045 02 XN2	Burgundy/burgundy Burgundy	-90		
	944 522 045 02 AQV	Cobalt blue/cobalt blue Cobalt blue	91		
	944 522 045 02 AQP	Classic grey/classic grey Classic grey	91		
2A	944 522 046 02	Backrest Leatherette/ Backrest surface Multicolour Carpet	/R	1	
	944 522 046 02 XK8	Black/black Black			
	944 522 046 02 XN1	Marine blue/marine blue Marine blue	-90		
	944 522 046 02 XK4	Linen/linen Linen	-90		
	944 522 046 02 XN2	Burgundy/burgundy Burgundy	-90		
	944 522 046 02 AQV	Cobalt blue/cobalt blue Cobalt blue	91		
	944 522 046 02 AQP	Classic grey/classic grey Classic grey	91		
1A	944 522 045 02	Backrest Leatherette/ Backrest surface Porsche lettering cloth Carpet	/L	1	
	944 522 045 02 PX2	Black/black Black			
	944 522 045 02 TR9	Marine blue/marine blue Marine blue	-90		
	944 522 045 02 XK3	Linen/linen Linen	-90		
	944 522 045 02 PX6	Burgundy/burgundy Burgundy	-90		
	944 522 045 02 ARM	Cobalt blue/cobalt blue Cobalt blue	91		
	944 522 045 02 APM	Classic grey/classic grey	91		

Model: STZ Model life 1985&gt;&gt;1998

Pos	Part Number	Description	Remark	Qty	Model
2A	944 522 046 02	Classic grey Backrest Leatherette/ Backrest surface Porsche lettering cloth Carpet	/R	1	
	944 522 046 02 PX2	Black/black Black			
	944 522 046 02 TR9	Marine blue/marine blue Marine blue	-90		
	944 522 046 02 XK3	Linen/linen Linen	-90		
	944 522 046 02 PX6	Burgundy/burgundy Burgundy	-90		
	944 522 046 02 ARM	Cobalt blue/cobalt blue Cobalt blue	91		
	944 522 046 02 APM	Classic grey/classic grey Classic grey	91		
1B	944 522 045 03	Backrest Leatherette/ Carpet	/L	1	
	944 522 045 03 JN3	Black			
	944 522 045 03 TS2	Marine blue	-90		
	944 522 045 03 TW2	Linen	-90		
	944 522 045 03 NZ8	Burgundy	-90		
	944 522 045 03 ARK	Cobalt blue/cobalt blue	91		
	944 522 045 03 APK	Classic grey/classic grey	91		
2B	944 522 046 03	Backrest Leatherette/ Carpet	/R	1	
	944 522 046 03 JN3	Black			
	944 522 046 03 TS2	Marine blue	-90		
	944 522 046 03 TW2	Linen	-90		
	944 522 046 03 NZ8	Burgundy	-90		
	944 522 046 03 ARK	Cobalt blue/cobalt blue	91		
	944 522 046 03 APK	Classic grey/classic grey	91		
1B	944 522 045 51	Backrest Leather/ Carpet	/L	1	
	944 522 045 51 KZ2	Black/black			
	944 522 045 51 TW1	Linen	-90		
	944 522 045 51 LG7	Burgundy/burgundy	-90		
	944 522 045 51 TS1	Marine blue	-90		
	944 522 045 51 ARL	Cobalt blue/cobalt blue	91		
	944 522 045 51 APL	Classic grey/classic grey	91		
2B	944 522 046 51	Backrest Leather/ Carpet	/R	1	
	944 522 046 51 KZ2	Black/black			
	944 522 046 51 TW1	Linen	-90		
	944 522 046 51 LG7	Burgundy/burgundy	-90		
	944 522 046 51 TS1	Marine blue	-90		
	944 522 046 51 ARL	Cobalt blue/cobalt blue	91		
	944 522 046 51 APL	Classic grey/classic grey	91		
3	944 522 073 00	Seat cushion Leatherette/ Centre part in cloth Pin stripe velour		2	
	944 522 073 00 JN1	Black/ Black-white	-90		
	944 522 073 00 XJ8	Blue/ Blue-white	-90		
	944 522 073 00 XH1	Linen/	-90		

Model: STZ Model life 1985>>1998

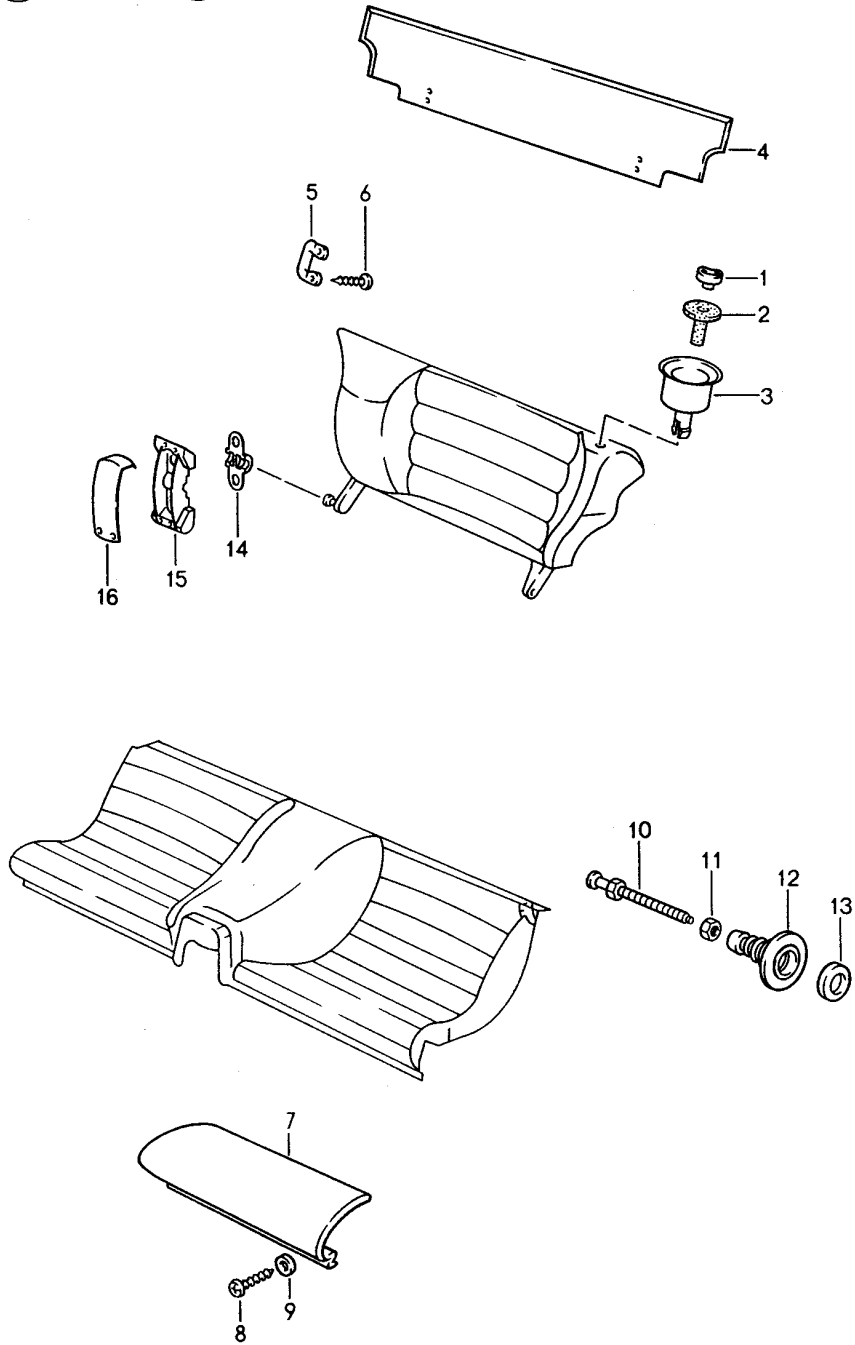
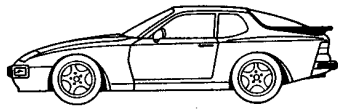
Pos	Part Number	Description	Remark	Qty	Model
3	944 522 073 00 LT2	Linen white Burgundy/ Burgundy-white	-90	2	
	944 522 073 00	Seat cushion Leatherette/ Centre part in cloth Multicolour			
	944 522 073 00 XJ1	Black/black			
	944 522 073 00 XJ4	Marine blue/marine blue	-90		
	944 522 073 00 XH5	Linen/linen	-90		
	944 522 073 00 XJ6	Burgundy/	-90		
	944 522 073 00 ARC	Cobalt blue/cobalt blue	91		
	944 522 073 00 APC	Classic grey/classic grey	91		
	944 522 073 00	Seat cushion Leatherette/ Centre part Porsche lettering cloth			
	944 522 073 00 PX1	Black/black			
3A	944 522 073 00 XJ9	Marine blue/marine blue	-90	2	
	944 522 073 00 XH3	Linen/linen	-90		
	944 522 073 00 PX5	Burgundy-burgundy	-90		
	944 522 073 00 ARA	Cobalt blue/cobalt blue	91		
	944 522 073 00 APA	Classic grey/classic grey	91		
	944 522 073 01	Seat cushion Leatherette/ Seat surface Pin stripe velour			
	944 522 073 01 NY5	Black/ Black-white	-90		
	944 522 073 01 TR7	Blue/ Blue-white	-90		
	944 522 073 01 XK2	Linen/ Linen white	-90		
	944 522 073 01 NY8	Burgundy/ Burgundy-white	-90		
3A	944 522 073 01	Seat cushion Leatherette/ Seat surface Multicolour		2	
	944 522 073 01 XK8	Black/black			
	944 522 073 01 XN1	Marine blue/marine blue	-90		
	944 522 073 01 XK4	Linen/linen	-90		
	944 522 073 01 XN2	Burgundy/burgundy	-90		
	944 522 073 01 AQV	Cobalt blue/cobalt blue	91		
	944 522 073 01 AQP	Classic grey/classic grey	91		
	944 522 073 01	Seat cushion Leatherette/ Seat surface Porsche lettering cloth			
	944 522 073 01 PX2	Black/black			
	944 522 073 01 TR9	Marine blue/marine blue	-90		
3B	944 522 073 01 XK3	Linen/linen	-90	2	
	944 522 073 01 PX6	Burgundy-burgundy	-90		
	944 522 073 01 ARM	Cobalt blue/cobalt blue	91		
	944 522 073 01 APM	Classic grey/classic grey	91		
	944 522 073 02	Seat cushion Leatherette			
	944 522 073 02 JN3	Black			
	944 522 073 02 TS2	Marine blue	-90		
	944 522 073 02 TW2	Linen	-90		
	944 522 073 02 NZ8	Burgundy	-90		
	944 522 073 02 ARK	Cobalt blue	91		
944 522 073 02 APK	Classic grey	91			

Model: STZ Model life 1985>>1998

Pos	Part Number	Description	Remark	Qty	Model
3B	944 522 073 51	Seat cushion Whole-leather		2	
	944 522 073 51 KZ2	Black			
	944 522 073 51 TW1	Linen	-90		
	944 522 073 51 LG7	Burgundy	-90		
	944 522 073 51 TS1	Marine blue	-90		
	944 522 073 51 ARL	Cobalt blue	91		
	944 522 073 51 APL	Classic grey	91		

Model: STZ

Model life 1985>>1998



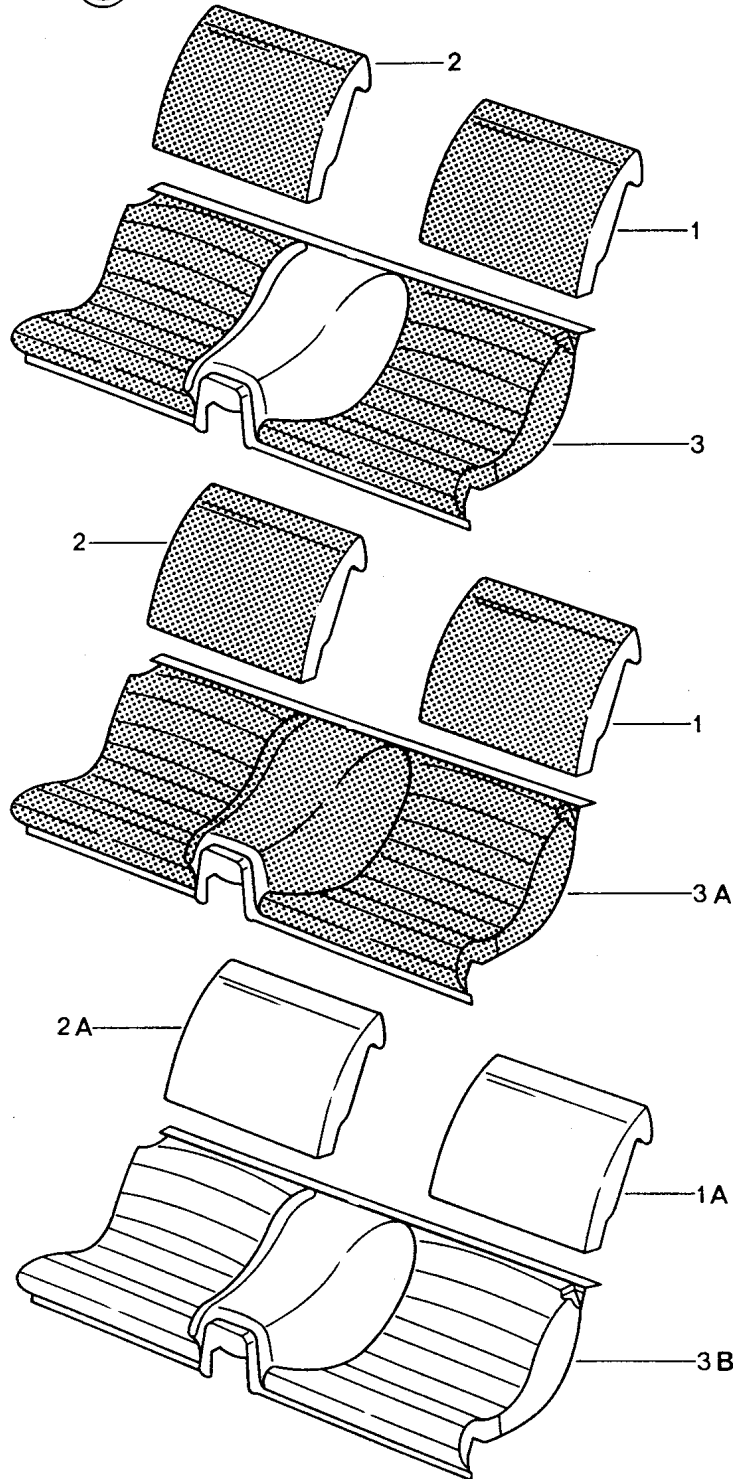
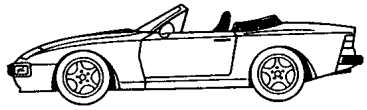
Model: STZ Model life 1985>>1998

Pos	Part Number	Description	Remark	Qty	Model
		Back seat Divided Single parts	89-91		944/S2 TURBO COUPE
1	944 522 317 00	Push button		2	
	944 522 317 00 01C	Satin black			
2	944 522 319 00	Guide piece		2	
3	944 522 315 00	Rosette		2	
	944 522 315 00 01C	Satin black			
(4)	944 522 831 01	Carpet for Back seat backrest	/L	1	
	944 522 831 01 1DR	Black			
	944 522 831 01 4KF	Marine blue	-90		
	944 522 831 01 8WC	Linen	-90		
	944 522 831 01 4JR	Burgundy	-90		
	944 522 831 01 G47	Cobalt blue	91		
	944 522 831 01 D06	Classic grey	91		
(4)	944 522 832 01	Carpet for Back seat backrest	/R	1	
	944 522 832 01 1DR	Black			
	944 522 832 01 4KF	Marine blue	-90		
	944 522 832 01 8WC	Linen	-90		
	944 522 832 01 4JR	Burgundy	-90		
	944 522 832 01 G47	Cobalt blue	91		
	944 522 832 01 D06	Classic grey	91		
5	477 885 761	Retaining bar		2	
6	N 014 096 3	Rais. counters. h. tap. s. B 4,2 X 22		4	
10	944 522 267 00	Retaining pivot		2	
11	N 011 111 2	Nut BM 12 X 1,5		4	
12	944 522 053 00	Lining	/L	1	
	944 522 053 00 01C	Satin black			
(12)	944 522 054 00	Lining	/R	1	
	944 522 054 00 01C	Satin black			
13	N 011 675 2	Washer B 15		2	
14	944 522 245 00	Bearing shell Lower		2	
15	944 522 243 00	Bearing shell Upper		2	
16	944 522 517 00	Cover		2	
	944 522 517 00 01C	Satin black			
-	944 522 281 00	Lock	/L	1	
-	944 522 282 00	Lock	/R	1	



Model: STZ

Model life 1985>>1998



Model: STZ Model life 1985&gt;&gt;1998

Pos	Part Number	Description	Remark	Qty	Model
		Back seat Complete	89-91		944 S2 TURBO CABRIO
1	941 522 045 11	Backrest Leatherette/ Backrest surface Pin stripe velour Carpet	/L	1	
	941 522 045 11 JN1	Black/ Black-white	-90		
	941 522 045 11 XJ8	Black Blue/ Blue-white	-90		
	941 522 045 11 XH1	Marine blue Linen/ Linen white Linen	-90		
	941 522 045 11 LT2	Burgundy/ Burgundy-white Burgundy	-90		
2	941 522 046 11	Backrest Leatherette/ Backrest surface Pin stripe velour Carpet	/R	1	
	941 522 046 11 JN1	Black/ Black-white Black	-90		
	941 522 046 11 XJ8	Blue/ Blue-white Marine blue	-90		
	941 522 046 11 XH1	Linen/ Linen white Linen	-90		
	941 522 046 11 LT2	Burgundy/ Burgundy-white Burgundy	-90		
1	941 522 045 11	Backrest Leatherette/ Backrest surface Multicolour Carpet	/L	1	
	941 522 045 11 XJ1	Black/black Black			
	941 522 045 11 XJ4	Marine blue/marine blue Marine blue	-90		
	941 522 045 11 XH5	Linen/linen Linen	-90		
	941 522 045 11 XJ6	Burgundy/burgundy Burgundy	-90		
	941 522 045 11 ARC	Cobalt blue/cobalt blue Cobalt blue	91		
	941 522 045 11 APC	Classic grey/classic grey Classic grey	91		
2	941 522 046 11	Backrest Leatherette/ Backrest surface Multicolour Carpet	/R	1	
	941 522 046 11 XJ1	Black/black Black			
	941 522 046 11 XJ4	Marine blue/marine blue Marine blue	-90		

Model: STZ Model life 1985>>1998

Pos	Part Number	Description	Remark	Qty	Model
	941 522 046 11 XH5	Linen/linen Linen	-90		
	941 522 046 11 XJ6	Burgundy/burgundy Burgundy	-90		
	941 522 046 11 ARC	Cobalt blue/cobalt blue Cobalt blue	91		
	941 522 046 11 APC	Classic grey/classic grey Classic grey	91		
1	941 522 045 11	Backrest Leatherette/ Backrest surface Porsche lettering cloth Carpet	/L	1	
	941 522 045 11 PX1	Black/black Black			
	941 522 045 11 XJ9	Marine blue/marine blue Marine blue	-90		
	941 522 045 11 PX5	Burgundy/burgundy Brown-brown	-90		
	941 522 045 11 XH3	Linen/linen Linen	-90		
	941 522 045 11 ARA	Cobalt blue/cobalt blue Cobalt blue	91		
	941 522 045 11 APA	Classic grey/classic grey Classic grey	91		
2	941 522 046 11	Backrest Leatherette/ Backrest surface Porsche lettering cloth Carpet	/R	1	
	941 522 046 11 PX1	Black/black Black			
	941 522 046 11 XJ9	Black/black Marine blue	-90		
	941 522 046 11 PX5	Burgundy/burgundy Brown-brown	-90		
	941 522 046 11 XH3	Linen/linen Linen	-90		
	941 522 046 11 ARA	Cobalt blue/cobalt blue Cobalt blue	91		
	941 522 046 11 APA	Classic grey/classic grey Classic grey	91		
1A	941 522 045 10	Backrest Leatherette/ Carpet	/L	1	
	941 522 045 10 JN3	Black/black			
	941 522 045 10 TS2	Marine blue	-90		
	941 522 045 10 TW2	Linen	-90		
	941 522 045 10 NZ8	Burgundy	-90		
	941 522 045 10 ARK	Cobalt blue/cobalt blue	91		
	941 522 045 10 APK	Classic grey/classic grey	91		
2A	941 522 046 10	Backrest Leatherette/ Carpet	/R	1	
	941 522 046 10 JN3	Black			
	941 522 046 10 TS2	Marine blue	-90		
	941 522 046 10 TW2	Linen	-90		
	941 522 046 10 NZ8	Burgundy	-90		
	941 522 046 10 ARK	Cobalt blue/cobalt blue	91		
	941 522 046 10 APK	Classic grey/classic grey	91		
(1A)	941 522 045 12	Backrest Leather/ Carpet	/L	1	

Model: STZ Model life 1985>>1998

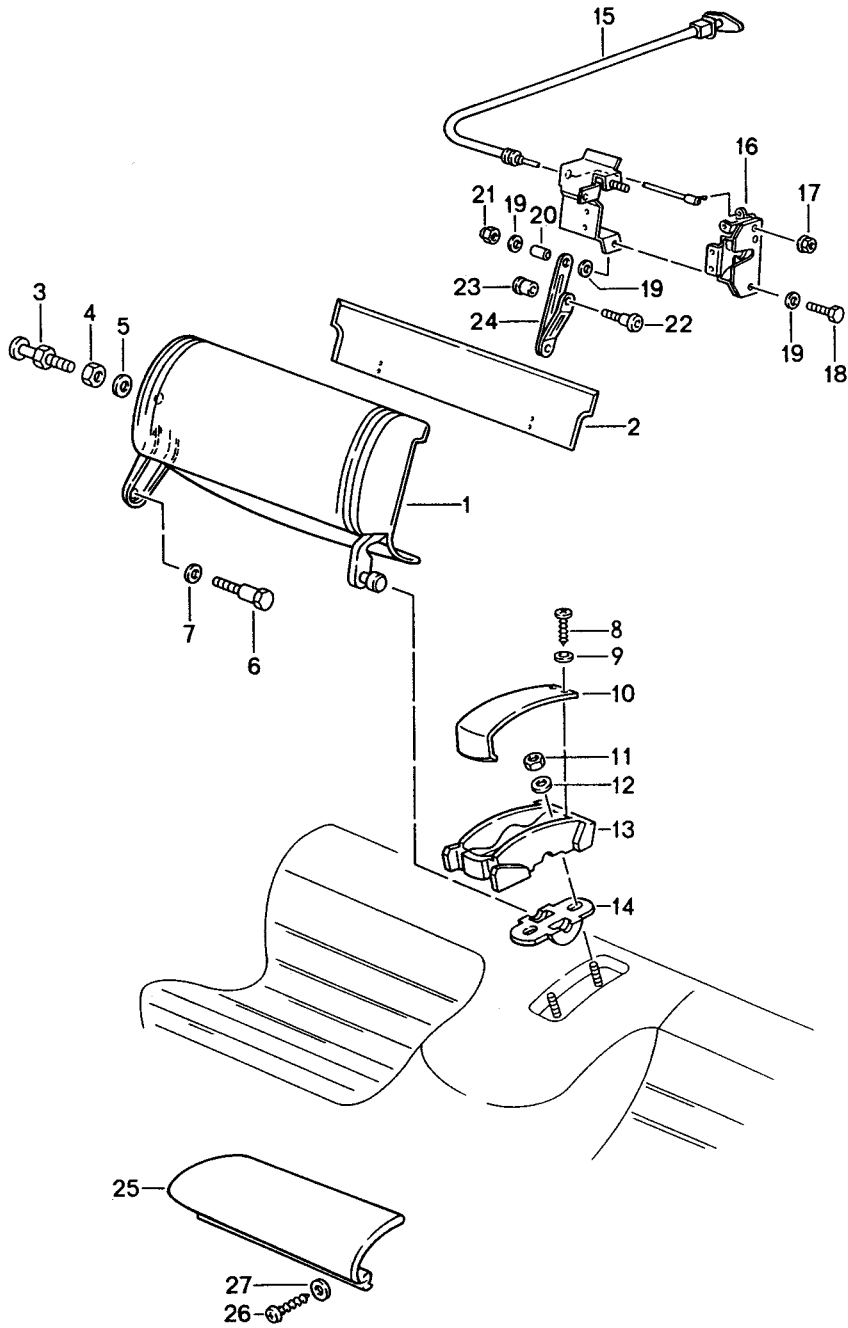
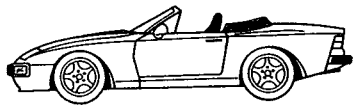
Pos	Part Number	Description	Remark	Qty	Model
	941 522 045 12 KZ2	Black			
	941 522 045 12 TW1	Linen	-90		
	941 522 045 12 LG7	Burgundy	-90		
	941 522 045 12 TS1	Marine blue	-90		
	941 522 045 12 ARL	Cobalt blue/cobalt blue	91		
	941 522 045 12 APL	Classic grey/classic grey	91		
(2A)	941 522 046 12	Backrest Leather/ Carpet	/R	1	
	941 522 046 12 KZ2	Black			
	941 522 046 12 TW1	Linen	-90		
	941 522 046 12 LG7	Burgundy	-90		
	941 522 046 12 TS1	Marine blue	-90		
	941 522 046 12 ARL	Cobalt blue/cobalt blue	91		
	941 522 046 12 APL	Classic grey/classic grey	91		
3	944 522 073 00	Seat cushion Leatherette/ Centre part in cloth Pin stripe velour		1	
	944 522 073 00 JN1	Black/ Black-white	-90		
	944 522 073 00 XJ8	Blue/ Blue-white	-90		
	944 522 073 00 XH1	Linen/ Linen white	-90		
	944 522 073 00 LT2	Burgundy/ Burgundy-white	-90		
3	944 522 073 00	Seat cushion Leatherette/ Centre part in cloth Multicolour		1	
	944 522 073 00 XJ1	Black/black			
	944 522 073 00 XJ4	Marine blue/marine blue	-90		
	944 522 073 00 XJ6	Burgundy/	-90		
	944 522 073 00 XH5	Linen/linen	-90		
	944 522 073 00 ARC	Cobalt blue/cobalt blue	91		
	944 522 073 00 APC	Classic grey/classic grey	91		
3	944 522 073 00	Seat cushion Leatherette/ Centre part Porsche lettering cloth		1	
	944 522 073 00 PX1	Black/black			
	944 522 073 00 XJ9	Marine blue/marine blue	-90		
	944 522 073 00 XH3	Linen/linen	-90		
	944 522 073 00 PX5	Burgundy-burgundy	-90		
	944 522 073 00 ARA	Cobalt blue/cobalt blue	91		
	944 522 073 00 APA	Classic grey/classic grey	91		
3A	944 522 073 01	Seat cushion Leatherette/ Seat surface Pin stripe velour		1	
	944 522 073 01 NY5	Black/ Black-white	-90		
	944 522 073 01 TR7	Blue/ Blue-white	-90		
	944 522 073 01 NY8	Burgundy/ Burgundy-white	-90		
	944 522 073 01 XK2	Linen/ Linen white	-90		
3A	944 522 073 01	Seat cushion Leatherette/ Seat surface Multicolour		1	

Model: STZ Model life 1985>>1998

Pos	Part Number	Description	Remark	Qty	Model
	944 522 073 01 XK8	Black/black			
	944 522 073 01 XN1	Marine blue/marine blue	-90		
	944 522 073 01 XN2	Burgundy/burgundy	-90		
	944 522 073 01 XK4	Linen/linen	-90		
	944 522 073 01 AQV	Cobalt blue/cobalt blue	91		
	944 522 073 01 AQP	Classic grey/classic grey	91		
3A	944 522 073 01	Seat cushion		1	
		Leatherette/ Seat surface			
		Porsche lettering cloth			
	944 522 073 01 PX2	Black/black			
	944 522 073 01 TR9	Marine blue/marine blue	-90		
	944 522 073 01 XK3	Linen/linen	-90		
	944 522 073 01 PX6	Burgundy-burgundy	-90		
	944 522 073 01 ARM	Cobalt blue/cobalt blue	91		
	944 522 073 01 APM	Classic grey/classic grey	91		
3B	944 522 073 02	Seat cushion		1	
		Leatherette			
	944 522 073 02 JN3	Black			
	944 522 073 02 TS2	Marine blue	-90		
	944 522 073 02 TW2	Linen	-90		
	944 522 073 02 NZ8	Burgundy	-90		
	944 522 073 02 ARK	Cobalt blue	91		
	944 522 073 02 APK	Classic grey	91		
3B	944 522 073 51	Seat cushion		1	
		Whole-leather			
	944 522 073 51 KZ2	Black			
	944 522 073 51 TW1	Linen	-90		
	944 522 073 51 LG7	Burgundy	-90		
	944 522 073 51 TS1	Marine blue	-90		
	944 522 073 51 ARL	Cobalt blue	91		
	944 522 073 51 APL	Classic grey	91		

Model: STZ

Model life 1985>>1998



Model: STZ Model life 1985>>1998

Pos	Part Number	Description	Remark	Qty	Model
		Back seat Single parts	89-91		944 S2 TURBO CABRIO
1		See group 8/04/52		1	
2	941 522 225 10	Carpet for Back seat backrest	/L	1	
	941 522 225 10 1DR	Black			
	941 522 225 10 4KF	Marine blue	-90		
	941 522 225 10 4JR	Burgundy	-90		
	941 522 225 10 8WC	Linen	-90		
	941 522 225 10 G47	Cobalt blue	91		
	941 522 225 10 D06	Classic grey	91		
(2)	941 522 226 10	Carpet for Back seat backrest	/R	1	
	941 522 226 10 1DR	Black			
	941 522 226 10 4KF	Marine blue	-90		
	941 522 226 10 4JR	Burgundy	-90		
	941 522 226 10 8WC	Linen	-90		
	941 522 226 10 G47	Cobalt blue	91		
	941 522 226 10 D06	Classic grey	91		
3	941 522 267 10	Retaining pivot		2	
4	N 011 111 2	Nut M 12 X 1,5		2	
5	N 011 675 2	Washer B 15		2	
6	477 885 767	Hexagon-head bolt M 6		2	
7	900 025 007 03	Washer		2	
7	900 025 007 02	Washer A 8,4		2	
7	900 025 007 03	Washer A 8,4		2	
8	N 013 954 7	Tapping screw 2,9 X 13		2	
9	900 031 101 07	Washer 3,2		2	
10	944 522 517 00	Cover		2	
	944 522 517 00 01C	Satin black			
11	900 910 096 02	Lock nut M 6		2	
12	900 151 006 09	Washer 6,4		2	
13	944 522 243 00	Bearing shell Upper		1	
14	944 522 245 00	Bearing shell Lower		1	
15	941 522 237 10	Bowden cable		2	
16	944 522 281 00	Lock	/L	1	
(16)	944 522 282 00	Lock	/R	1	
17	900 076 010 0B	Nut		2	
17	900 076 010 02	Nut M 6		2	
17	900 076 010 0B	Nut M 6		2	
18	900 075 017 03	Hexagon-head bolt		2	
18	900 075 017 02	Hexagon-head bolt M 6 X 25		2	
18	900 075 017 03	Hexagon-head bolt M 6 X 25		2	
19	900 031 011 02	Washer		2	

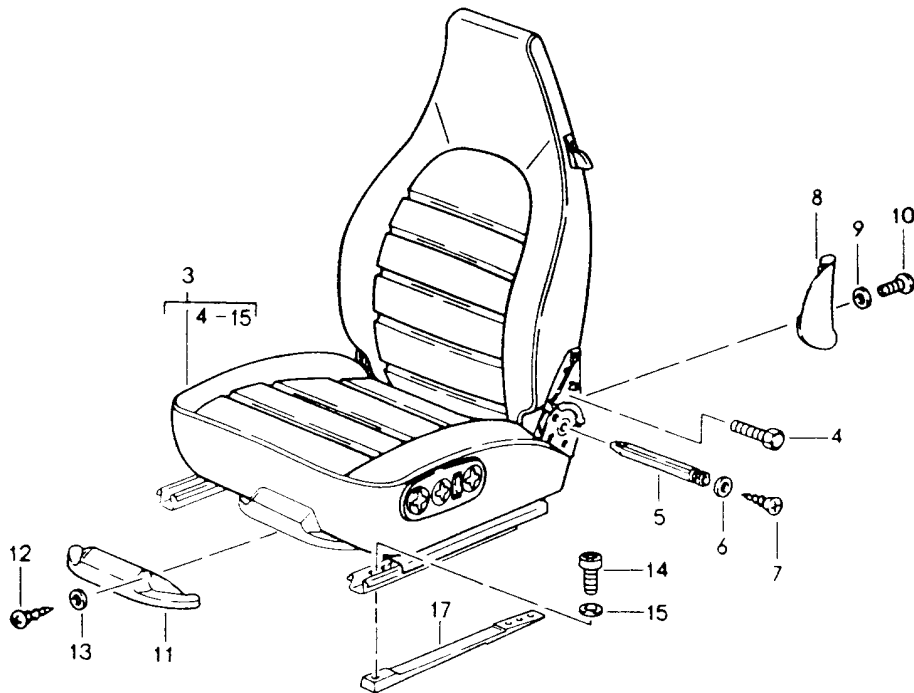
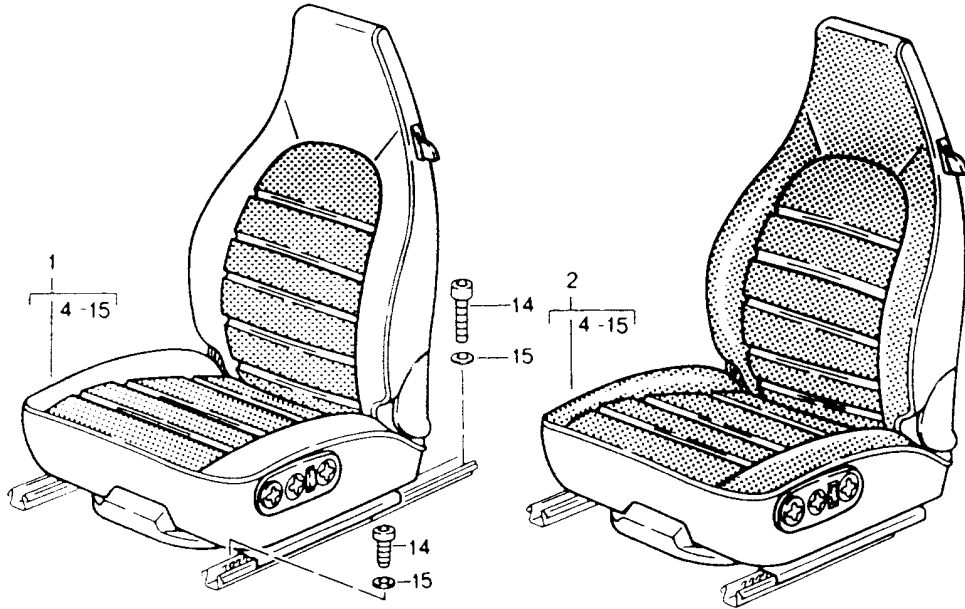
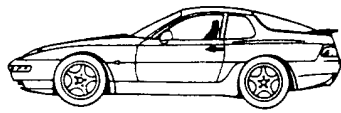
Model: STZ Model life 1985>>1998

Pos	Part Number	Description	Remark	Qty	Model
20	941 522 335 10	6,4 Sleeve		2	
21	900 084 008 01	Nut M4		2	
22	941 504 847 10	Screw M4 Micro-self-locking		2	
23	941 504 720 10	Bush		2	
24	941 522 131 10	Lever		1	
(24)	941 522 132 10	Lever		1	



Model: STZ

Model life 1985>>1998



Model: STZ Model life 1985>>1998

Pos	Part Number	Description	Remark	Qty	Model
		Front seat Complete All-electric Standard seat Complete Not available	-93		968
1	964 521 003 46	Comfort seat without heating Leatherette/ Centre part in cloth Multicolour	/L	1	M437
	964 521 003 46 XJ1	Black/black			
	964 521 003 46 XJ4	Marine blue/marine blue			
	964 521 003 46 ARC	Cobalt blue/cobalt blue			
	964 521 003 46 APC	Classic grey/classic grey			
	964 521 003 46 ASC	Magenta/Magenta			
	964 521 003 46 AQC	Light grey/light grey			
	964 521 003 46 AQW	Cashmere beige/cash. beige			
(1)	964 521 004 46	Comfort seat without heating Leatherette/ Centre part in cloth Multicolour	/R	1	M438
	964 521 004 46 XJ1	Black/black			
	964 521 004 46 XJ4	Marine blue/marine blue			
	964 521 004 46 ARC	Cobalt blue/cobalt blue			
	964 521 004 46 APC	Classic grey/classic grey			
	964 521 004 46 ASC	Magenta/Magenta			
	964 521 004 46 AQC	Light grey/light grey			
	964 521 004 46 AQW	Cashmere beige/cash. beige			
1	964 521 003 47	Comfort seat with heating Leatherette/ Centre part in cloth Multicolour	/L	1	M437
	964 521 003 47 XJ1	Black/black			
	964 521 003 47 XJ4	Marine blue/marine blue			
	964 521 003 47 ARC	Cobalt blue/cobalt blue			
	964 521 003 47 APC	Classic grey/classic grey			
	964 521 003 47 ASC	Magenta/Magenta			
	964 521 003 47 AQC	Light grey/light grey			
	964 521 003 47 AQW	Cashmere beige/cash. beige			
(1)	964 521 004 47	Comfort seat with heating Leatherette/ Centre part in cloth Multicolour	/R	1	M438
	964 521 004 47 XJ1	Black/black			
	964 521 004 47 XJ4	Marine blue/marine blue			
	964 521 004 47 ARC	Cobalt blue/cobalt blue			
	964 521 004 47 APC	Classic grey/classic grey			
	964 521 004 47 ASC	Magenta/Magenta			
	964 521 004 47 AQC	Light grey/light grey			
	964 521 004 47 AQW	Cashmere beige/cash. beige			
1	964 521 003 48	Comfort seat with Lumbar support Leatherette/ Centre part in cloth Multicolour	/L	1	M437
	964 521 003 48 XJ1	Black/black			
	964 521 003 48 XJ4	Marine blue/marine blue			
	964 521 003 48 ARC	Cobalt blue/cobalt blue			

Model: STZ Model life 1985>>1998

Pos	Part Number	Description	Remark	Qty	Model	
(1)	964 521 003 48 APC	Classic grey/classic grey				
	964 521 003 48 ASC	Magenta/Magenta				
	964 521 003 48 AQC	Light grey/light grey				
	964 521 003 48 AQW	Cashmere beige/cash. beige				
	964 521 004 48	Comfort seat with Lumbar support Leatherette/ Centre part in cloth Multicolour	/R	1	M438	
	964 521 004 48 XJ1	Black/black				
	964 521 004 48 XJ4	Marine blue/marine blue				
	964 521 004 48 ARC	Cobalt blue/cobalt blue				
	964 521 004 48 APC	Classic grey/classic grey				
	964 521 004 48 ASC	Magenta/Magenta				
1	964 521 004 48 AQC	Light grey/light grey				
	964 521 004 48 AQW	Cashmere beige/cash. beige				
	964 521 003 49	Comfort seat with heating And Lumbar support Leatherette/ Centre part in cloth Multicolour	/L	1	M437	
	964 521 003 49 XJ1	Black/black				
	964 521 003 49 XJ4	Marine blue/marine blue				
	964 521 003 49 ARC	Cobalt blue/cobalt blue				
	964 521 003 49 APC	Classic grey/classic grey				
	964 521 003 49 ASC	Magenta/Magenta				
	964 521 003 49 AQC	Light grey/light grey				
	964 521 003 49 AQW	Cashmere beige/cash. beige				
(1)	964 521 004 49	Comfort seat with heating And Lumbar support Leatherette/ Centre part in cloth Multicolour	/R	1	M438	
	964 521 004 49 XJ1	Black/black				
	964 521 004 49 XJ4	Marine blue/marine blue				
	964 521 004 49 ARC	Cobalt blue/cobalt blue				
	964 521 004 49 APC	Classic grey/classic grey				
	964 521 004 49 ASC	Magenta/Magenta				
	964 521 004 49 AQC	Light grey/light grey				
	964 521 004 49 AQW	Cashmere beige/cash. beige				
	1	964 521 003 46	Comfort seat without heating Leatherette/ Centre part Porsche lettering cloth	/L	1	M437
		964 521 003 46 PX1	Black/black			
964 521 003 46 XJ9		Marine blue/marine blue				
964 521 003 46 ARA		Cobalt blue/cobalt blue				
964 521 003 46 APA		Classic grey/classic grey				
964 521 003 46 ASA		Magenta/Magenta				
964 521 003 46 AQA		Light grey/light grey				
964 521 003 46 AQZ		Cashmere beige/cash. beige				
-		TPC 000 000 00	Cloth by the running meter	91	1	
		TPC 000 000 00 6WC	PORSCHE logo Classic grey Running meter			
(1)	964 521 004 46	Comfort seat without heating	/R	1	M438	

Model: STZ Model life 1985>>1998

Pos	Part Number	Description	Remark	Qty	Model
		Leatherette/ Centre part Porsche lettering cloth			
	964 521 004 46 PX1	Black/black			
	964 521 004 46 XJ9	Marine blue/marine blue			
	964 521 004 46 ARA	Cobalt blue/cobalt blue			
	964 521 004 46 APA	Classic grey/classic grey			
	964 521 004 46 ASA	Magenta/Magenta			
	964 521 004 46 AQA	Light grey/light grey			
	964 521 004 46 AQZ	Cashmere beige/cash. beige			
-	TPC 000 000 00	Cloth by the running meter	91	1	
	TPC 000 000 00 6WC	PORSCHE logo Classic grey Running meter			
1	964 521 003 47	Comfort seat with heating Leatherette/ Centre part Porsche lettering cloth	/L	1	M437
	964 521 003 47 PX1	Black/black			
	964 521 003 47 XJ9	Marine blue/marine blue			
	964 521 003 47 ARA	Cobalt blue/cobalt blue			
	964 521 003 47 APA	Classic grey/classic grey			
	964 521 003 47 ASA	Magenta/Magenta			
	964 521 003 47 AQA	Light grey/light grey			
	964 521 003 47 AQZ	Cashmere beige/cash. beige			
(1)	964 521 004 47	Comfort seat with heating Leatherette/ Centre part Porsche lettering cloth	/R	1	M438
	964 521 004 47 PX1	Black/black			
	964 521 004 47 XJ9	Marine blue/marine blue			
	964 521 004 47 ARA	Cobalt blue/cobalt blue			
	964 521 004 47 APA	Classic grey/classic grey			
	964 521 004 47 ASA	Magenta/Magenta			
	964 521 004 47 AQA	Light grey/light grey			
	964 521 004 47 AQZ	Cashmere beige/cash. beige			
-	TPC 000 000 00	Cloth by the running meter	91	1	
	TPC 000 000 00 6WC	PORSCHE logo Classic grey Running meter			
1	964 521 003 48	Comfort seat with Lumbar support Leatherette/ Centre part Porsche lettering cloth	/L	1	M437
	964 521 003 48 PX1	Black/black			
	964 521 003 48 XJ9	Marine blue/marine blue			
	964 521 003 48 ARA	Cobalt blue/cobalt blue			
	964 521 003 48 APA	Classic grey/classic grey			
	964 521 003 48 ASA	Magenta/Magenta			
	964 521 003 48 AQA	Light grey/light grey			
	964 521 003 48 AQZ	Cashmere beige/cash. beige			
-	TPC 000 000 00	Cloth by the running meter	91	1	
	TPC 000 000 00 6WC	PORSCHE logo Classic grey Running meter			
(1)	964 521 004 48	Comfort seat with Lumbar support Leatherette/	/R	1	M438

Model: STZ Model life 1985>>1998

Pos	Part Number	Description	Remark	Qty	Model
		Centre part Porsche lettering cloth			
	964 521 004 48 PX1	Black/black			
	964 521 004 48 XJ9	Marine blue/marine blue			
	964 521 004 48 ARA	Cobalt blue/cobalt blue			
	964 521 004 48 APA	Classic grey/classic grey			
	964 521 004 48 ASA	Magenta/Magenta			
	964 521 004 48 AQA	Light grey/light grey			
	964 521 004 48 AQZ	Cashmere beige/cash. beige			
-	TPC 000 000 00	Cloth by the running meter	91	1	
	TPC 000 000 00 6WC	PORSCHE logo			
		Classic grey			
		Running meter			
1	964 521 003 49	Comfort seat with heating	/L	1	M437
		And			
		Lumbar support			
		Leatherette/			
		Centre part			
		Porsche lettering cloth			
	964 521 003 49 PX1	Black/black			
	964 521 003 49 XJ9	Marine blue/marine blue			
	964 521 003 49 ARA	Cobalt blue/cobalt blue			
	964 521 003 49 APA	Classic grey/classic grey			
	964 521 003 49 ASA	Magenta/Magenta			
	964 521 003 49 AQA	Light grey/light grey			
	964 521 003 49 AQZ	Cashmere beige/cash. beige			
-	TPC 000 000 00	Cloth by the running meter	91	1	
	TPC 000 000 00 6WC	PORSCHE logo			
		Classic grey			
		Running meter			
(1)	964 521 004 49	Comfort seat with heating	/R	1	M438
		And			
		Lumbar support			
		Leatherette/			
		Centre part			
		Porsche lettering cloth			
	964 521 004 49 PX1	Black/black			
	964 521 004 49 XJ9	Marine blue/marine blue			
	964 521 004 49 ARA	Cobalt blue/cobalt blue			
	964 521 004 49 APA	Classic grey/classic grey			
	964 521 004 49 ASA	Magenta/Magenta			
	964 521 004 49 AQA	Light grey/light grey			
	964 521 004 49 AQZ	Cashmere beige/cash. beige			
-	TPC 000 000 00	Cloth by the running meter	91	1	
	TPC 000 000 00 6WC	PORSCHE logo			
		Classic grey			
		Running meter			
2	964 521 003 19	Comfort seat without heating	/L	1	M437
		Leatherette/			
		Seat and backrest surface			
		Multicolour			
	964 521 003 19 XK8	Black/black			
	964 521 003 19 XN1	Marine blue/marine blue			
	964 521 003 19 AQV	Cobalt blue/cobalt blue			
	964 521 003 19 AQP	Classic grey/classic grey			
	964 521 003 19 ASN	Magenta/Magenta			
	964 521 003 19 AQN	Light grey/light grey			
	964 521 003 19 XK7	Cashmere beige/cash. beige			
(2)	964 521 004 19	Comfort seat without heating	/R	1	M438

Model: STZ Model life 1985>>1998

Pos	Part Number	Description	Remark	Qty	Model
		Leatherette/ Seat and backrest surface Multicolour			
	964 521 004 19 XK8	Black/black			
	964 521 004 19 XN1	Marine blue/marine blue			
	964 521 004 19 AQV	Cobalt blue/cobalt blue			
	964 521 004 19 AQP	Classic grey/classic grey			
	964 521 004 19 ASN	Magenta/Magenta			
	964 521 004 19 AQN	Light grey/light grey			
	964 521 004 19 XK7	Cashmere beige/cash. beige			
2	964 521 003 25	Comfort seat with heating Leatherette/ Seat and backrest surface Multicolour	/L	1	M437
	964 521 003 25 XK8	Black/black			
	964 521 003 25 XN1	Marine blue/marine blue			
	964 521 003 25 AQV	Cobalt blue/cobalt blue			
	964 521 003 25 AQP	Classic grey/classic grey			
	964 521 003 25 ASN	Magenta/Magenta			
	964 521 003 25 AQN	Light grey/light grey			
	964 521 003 25 XK7	Cashmere beige/cash. beige			
(2)	964 521 004 25	Comfort seat with heating Leatherette/ Seat and backrest surface Multicolour	/R	1	M438
	964 521 004 25 XK8	Black/black			
	964 521 004 25 XN1	Marine blue/marine blue			
	964 521 004 25 AQV	Cobalt blue/cobalt blue			
	964 521 004 25 AQP	Classic grey/classic grey			
	964 521 004 25 ASN	Magenta/Magenta			
	964 521 004 25 AQN	Light grey/light grey			
	964 521 004 25 XK7	Cashmere beige/cash. beige			
2	964 521 003 31	Comfort seat with Lumbar support Leatherette/ Seat and backrest surface Multicolour	/L	1	M437
	964 521 003 31 XK8	Black/black			
	964 521 003 31 XN1	Marine blue/marine blue			
	964 521 003 31 AQV	Cobalt blue/cobalt blue			
	964 521 003 31 AQP	Classic grey/classic grey			
	964 521 003 31 ASN	Magenta/Magenta			
	964 521 003 31 AQN	Light grey/light grey			
	964 521 003 31 XK7	Cashmere beige/cash. beige			
(2)	964 521 004 31	Comfort seat with Lumbar support Leatherette/ Seat and backrest surface Multicolour	/R	1	M438
	964 521 004 31 XK8	Black/black			
	964 521 004 31 XN1	Marine blue/marine blue			
	964 521 004 31 AQV	Cobalt blue/cobalt blue			
	964 521 004 31 AQP	Classic grey/classic grey			
	964 521 004 31 ASN	Magenta/Magenta			
	964 521 004 31 AQN	Light grey/light grey			
	964 521 004 31 XK7	Cashmere beige/cash. beige			
2	964 521 003 37	Comfort seat with heating And	/L	1	M437

Model: STZ Model life 1985>>1998

Pos	Part Number	Description	Remark	Qty	Model
		Lumbar support Leatherette/ Seat and backrest surface Multicolour			
	964 521 003 37 XK8	Black/black			
	964 521 003 37 XN1	Marine blue/marine blue			
	964 521 003 37 AQV	Cobalt blue/cobalt blue			
	964 521 003 37 AQP	Classic grey/classic grey			
	964 521 003 37 ASN	Magenta/Magenta			
	964 521 003 37 AQN	Light grey/light grey			
	964 521 003 37 XK7	Cashmere beige/cash. beige			
(2)	964 521 004 37	Comfort seat with heating And Lumbar support Leatherette/ Seat and backrest surface Multicolour	/R	1	M438
	964 521 004 37 XK8	Black/black			
	964 521 004 37 XN1	Marine blue/marine blue			
	964 521 004 37 AQV	Cobalt blue/cobalt blue			
	964 521 004 37 AQP	Classic grey/classic grey			
	964 521 004 37 ASN	Magenta/Magenta			
	964 521 004 37 AQN	Light grey/light grey			
	964 521 004 37 XK7	Cashmere beige/cash. beige			
2	964 521 003 19	Comfort seat without heating Leatherette/ Seat and backrest surface Porsche lettering cloth	/L	1	M437
	964 521 003 19 PX2	Black/black			
	964 521 003 19 TR9	Marine blue/marine blue			
	964 521 003 19 ARM	Cobalt blue/cobalt blue			
	964 521 003 19 APM	Classic grey/classic grey			
	964 521 003 19 ASM	Magenta/Magenta			
	964 521 003 19 AQM	Light grey/light grey			
	964 521 003 19 XK6	Cashmere beige/cash. beige			
-	TPC 000 000 00	Cloth by the running meter	91	1	
	TPC 000 000 00 6WC	PORSCHE logo Classic grey Running meter			
(2)	964 521 004 19	Comfort seat without heating Leatherette/ Seat and backrest surface Porsche lettering cloth	/R	1	M438
	964 521 004 19 PX2	Black/black			
	964 521 004 19 TR9	Marine blue/marine blue			
	964 521 004 19 ARM	Cobalt blue/cobalt blue			
	964 521 004 19 APM	Classic grey/classic grey			
	964 521 004 19 ASM	Magenta/Magenta			
	964 521 004 19 AQM	Light grey/light grey			
	964 521 004 19 XK6	Cashmere beige/cash. beige			
-	TPC 000 000 00	Cloth by the running meter	91	1	
	TPC 000 000 00 6WC	PORSCHE logo Classic grey Running meter			
2	964 521 003 25	Comfort seat with heating Leatherette/ Seat and backrest surface Porsche lettering cloth	/L	1	M437
	964 521 003 25 PX2	Black/black			

Model: STZ Model life 1985>>1998

Pos	Part Number	Description	Remark	Qty	Model
	964 521 003 25 TR9	Marine blue/marine blue			
	964 521 003 25 ARM	Cobalt blue/cobalt blue			
	964 521 003 25 APM	Classic grey/classic grey			
	964 521 003 25 ASM	Magenta/Magenta			
	964 521 003 25 AQM	Light grey/light grey			
	964 521 003 25 XK6	Cashmere beige/cash. beige			
-	TPC 000 000 00	Cloth by the running meter	91	1	
	TPC 000 000 00 6WC	PORSCHE logo Classic grey Running meter			
(2)	964 521 004 25	Comfort seat with heating Leatherette/ Seat and backrest surface Porsche lettering cloth	/R	1	M438
	964 521 004 25 PX2	Black/black			
	964 521 004 25 TR9	Marine blue/marine blue			
	964 521 004 25 ARM	Cobalt blue/cobalt blue			
	964 521 004 25 APM	Classic grey/classic grey			
	964 521 004 25 ASM	Magenta/Magenta			
	964 521 004 25 AQM	Light grey/light grey			
	964 521 004 25 XK6	Cashmere beige/cash. beige			
-	TPC 000 000 00	Cloth by the running meter	91	1	
	TPC 000 000 00 6WC	PORSCHE logo Classic grey Running meter			
2	964 521 003 31	Comfort seat with Lumbar support Leatherette/ Seat and backrest surface Porsche lettering cloth	/L	1	M437
	964 521 003 31 PX2	Black/black			
	964 521 003 31 TR9	Marine blue/marine blue			
	964 521 003 31 ARM	Cobalt blue/cobalt blue			
	964 521 003 31 APM	Classic grey/classic grey			
	964 521 003 31 ASM	Magenta/Magenta			
	964 521 003 31 AQM	Light grey/light grey			
	964 521 003 31 XK6	Cashmere beige/cash. beige			
-	TPC 000 000 00	Cloth by the running meter	91	1	
	TPC 000 000 00 6WC	PORSCHE logo Classic grey Running meter			
(2)	964 521 004 31	Comfort seat with Lumbar support Leatherette/ Seat and backrest surface Porsche lettering cloth	/R	1	M438
	964 521 004 31 PX2	Black/black			
	964 521 004 31 TR9	Marine blue/marine blue			
	964 521 004 31 ARM	Cobalt blue/cobalt blue			
	964 521 004 31 APM	Classic grey/classic grey			
	964 521 004 31 ASM	Magenta/Magenta			
	964 521 004 31 AQM	Light grey/light grey			
	964 521 004 31 XK6	Cashmere beige/cash. beige			
-	TPC 000 000 00	Cloth by the running meter	91	1	
	TPC 000 000 00 6WC	PORSCHE logo Classic grey Running meter			
2	964 521 003 37	Comfort seat with heating And	/L	1	M437



Model: STZ Model life 1985>>1998

Pos	Part Number	Description	Remark	Qty	Model
		Lumbar support Leatherette/ Seat and backrest surface Porsche lettering cloth			
	964 521 003 37 PX2	Black/black			
	964 521 003 37 TR9	Marine blue/marine blue			
	964 521 003 37 ARM	Cobalt blue/cobalt blue			
	964 521 003 37 APM	Classic grey/classic grey			
	964 521 003 37 ASM	Magenta/Magenta			
	964 521 003 37 AQM	Light grey/light grey			
	964 521 003 37 XK6	Cashmere beige/cash. beige			
-	TPC 000 000 00	Cloth by the running meter	91	1	
	TPC 000 000 00 6WC	PORSCHE logo Classic grey Running meter			
(2)	964 521 004 37	Comfort seat with heating And Lumbar support Leatherette/ Seat and backrest surface Porsche lettering cloth	/R	1	M438
	964 521 004 37 PX2	Black/black			
	964 521 004 37 TR9	Marine blue/marine blue			
	964 521 004 37 ARM	Cobalt blue/cobalt blue			
	964 521 004 37 APM	Classic grey/classic grey			
	964 521 004 37 ASM	Magenta/Magenta			
	964 521 004 37 AQM	Light grey/light grey			
	964 521 004 37 XK6	Cashmere beige/cash. beige			
-	TPC 000 000 00	Cloth by the running meter	91	1	
	TPC 000 000 00 6WC	PORSCHE logo Classic grey Running meter			
3	964 521 003 21	Comfort seat without heating Leatherette/ Seat and backrest surface Leather	/L	1	M437
	964 521 003 21 JN3	Black/black			
	964 521 003 21 BQA	Marine blue/marine blue			
	964 521 003 21 ARK	Cobalt blue/cobalt blue			
	964 521 003 21 APK	Classic grey/classic grey			
	964 521 003 21 ASK	Magenta/Magenta			
	964 521 003 21 AQK	Light grey/light grey			
	964 521 003 21 ATX	Cashmere beige/cash. beige			
(3)	964 521 004 21	Comfort seat without heating Leatherette/ Seat and backrest surface Leather	/R	1	M438
	964 521 004 21 JN3	Black/black			
	964 521 004 21 BQA	Marine blue/marine blue			
	964 521 004 21 ARK	Cobalt blue/cobalt blue			
	964 521 004 21 APK	Classic grey/classic grey			
	964 521 004 21 ASK	Magenta/Magenta			
	964 521 004 21 AQK	Light grey/light grey			
	964 521 004 21 ATX	Cashmere beige/cash. beige			
3	964 521 003 27	Comfort seat with heating Leatherette/ Seat and backrest surface Leather	/L	1	M437
	964 521 003 27 JN3	Black/black			

Model: STZ Model life 1985>>1998

Pos	Part Number	Description	Remark	Qty	Model
(3)	964 521 003 27 BQA	Marine blue/marine blue			
	964 521 003 27 ARK	Cobalt blue/cobalt blue			
	964 521 003 27 APK	Classic grey/classic grey			
	964 521 003 27 ASK	Magenta/Magenta			
	964 521 003 27 AQK	Light grey/light grey			
	964 521 003 27 ATX	Cashmere beige/cash. beige			
	964 521 004 27	Comfort seat with heating Leatherette/ Seat and backrest surface Leather	/R	1	M438
	964 521 004 27 JN3	Black/black			
	964 521 004 27 BQA	Marine blue/marine blue			
	964 521 004 27 ARK	Cobalt blue/cobalt blue			
3	964 521 004 27 APK	Classic grey/classic grey			
	964 521 004 27 ASK	Magenta/Magenta			
	964 521 004 27 AQK	Light grey/light grey			
	964 521 004 27 ATX	Cashmere beige/cash. beige			
	964 521 003 33	Comfort seat with Lumbar support Leatherette/ Seat and backrest surface Leather	/L	1	M437
	964 521 003 33 JN3	Black/black			
	964 521 003 33 BQA	Marine blue/marine blue			
	964 521 003 33 ARK	Cobalt blue/cobalt blue			
	964 521 003 33 APK	Classic grey/classic grey			
	964 521 003 33 ASK	Magenta/Magenta			
(3)	964 521 003 33 AQK	Light grey/light grey			
	964 521 003 33 ATX	Cashmere beige/cash. beige			
	964 521 004 33	Comfort seat with Lumbar support Leatherette/ Seat and backrest surface Leather	/R	1	M438
	964 521 004 33 JN3	Black/black			
	964 521 004 33 BQA	Marine blue/marine blue			
	964 521 004 33 ARK	Cobalt blue/cobalt blue			
	964 521 004 33 APK	Classic grey/classic grey			
	964 521 004 33 ASK	Magenta/Magenta			
	964 521 004 33 AQK	Light grey/light grey			
	964 521 004 33 ATX	Cashmere beige/cash. beige			
3	964 521 003 39	Comfort seat with heating And Lumbar support Leatherette/ Seat and backrest surface Leather	/L	1	M437
	964 521 003 39 JN3	Black/black			
	964 521 003 39 BQA	Marine blue/marine blue			
	964 521 003 39 ARK	Cobalt blue/cobalt blue			
	964 521 003 39 APK	Classic grey/classic grey			
	964 521 003 39 ASK	Magenta/Magenta			
	964 521 003 39 AQK	Light grey/light grey			
	964 521 003 39 ATX	Cashmere beige/cash. beige			
	964 521 004 39	Comfort seat with heating And Lumbar support Leatherette/	/R	1	M438

Model: STZ Model life 1985>>1998

Pos	Part Number	Description	Remark	Qty	Model
		Seat and backrest surface Leather			
	964 521 004 39 JN3	Black/black			
	964 521 004 39 BQA	Marine blue/marine blue			
	964 521 004 39 ARK	Cobalt blue/cobalt blue			
	964 521 004 39 APK	Classic grey/classic grey			
	964 521 004 39 ASK	Magenta/Magenta			
	964 521 004 39 AQK	Light grey/light grey			
	964 521 004 39 ATX	Cashmere beige/cash. beige			
3	964 521 003 23	Comfort seat without heating Leather	/L	1	M437
	964 521 003 23 KZ2	Black			
	964 521 003 23 BQB	Marine blue			
	964 521 003 23 ARL	Cobalt blue			
	964 521 003 23 APL	Classic grey			
	964 521 003 23 ASL	Magenta			
	964 521 003 23 AQL	Light grey			
	964 521 003 23 ATY	Cashmere beige			
	964 521 003 23 AVF	Matador red			
	964 521 003 23 AVG	Carrara grey			
	964 521 003 23 AVH	Sherwood green			
(3)	964 521 004 23	Comfort seat without heating Leather	/R	1	M438
	964 521 004 23 KZ2	Black			
	964 521 004 23 BQB	Marine blue			
	964 521 004 23 ARL	Cobalt blue			
	964 521 004 23 APL	Classic grey			
	964 521 004 23 ASL	Magenta			
	964 521 004 23 AQL	Light grey			
	964 521 004 23 ATY	Cashmere beige			
	964 521 004 23 AVF	Matador red			
	964 521 004 23 AVG	Carrara grey			
	964 521 004 23 AVH	Sherwood green			
3	964 521 003 29	Comfort seat with heating Leather	/L	1	M437
	964 521 003 29 KZ2	Black			
	964 521 003 29 BQB	Marine blue			
	964 521 003 29 ARL	Cobalt blue			
	964 521 003 29 APL	Classic grey			
	964 521 003 29 ASL	Magenta			
	964 521 003 29 AQL	Light grey			
	964 521 003 29 ATY	Cashmere beige			
	964 521 003 29 AVF	Matador red			
	964 521 003 29 AVG	Carrara grey			
	964 521 003 29 AVH	Sherwood green			
(3)	964 521 004 29	Comfort seat with heating Leather	/R	1	M438
	964 521 004 29 KZ2	Black			
	964 521 004 29 BQB	Marine blue			
	964 521 004 29 ARL	Cobalt blue			
	964 521 004 29 APL	Classic grey			
	964 521 004 29 ASL	Magenta			
	964 521 004 29 AQL	Light grey			
	964 521 004 29 ATY	Cashmere beige			
	964 521 004 29 AVF	Matador red			
	964 521 004 29 AVG	Carrara grey			
	964 521 004 29 AVH	Sherwood green			
3	964 521 003 35	Comfort seat with	/L	1	M437

Model: STZ Model life 1985>>1998

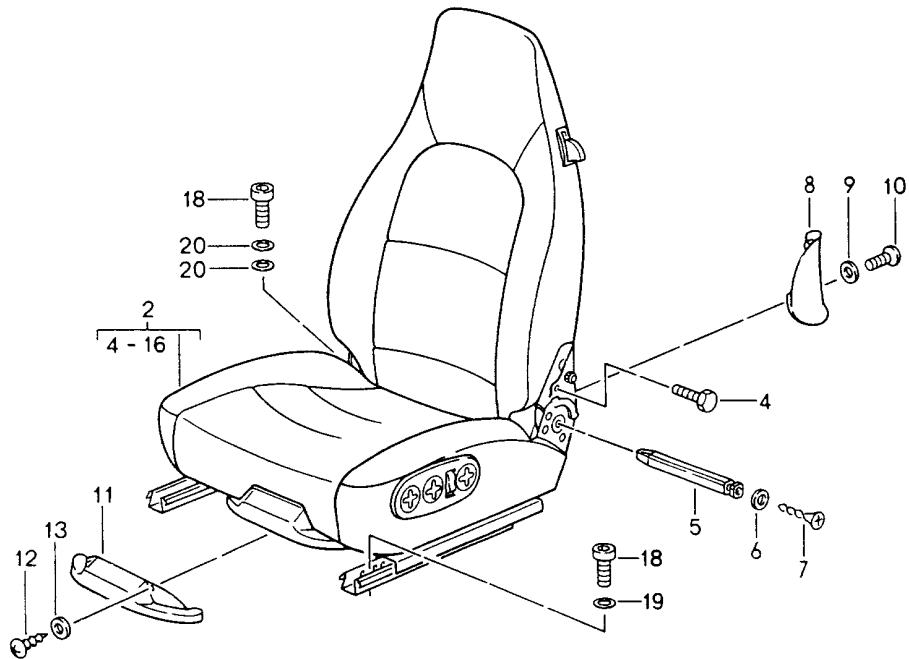
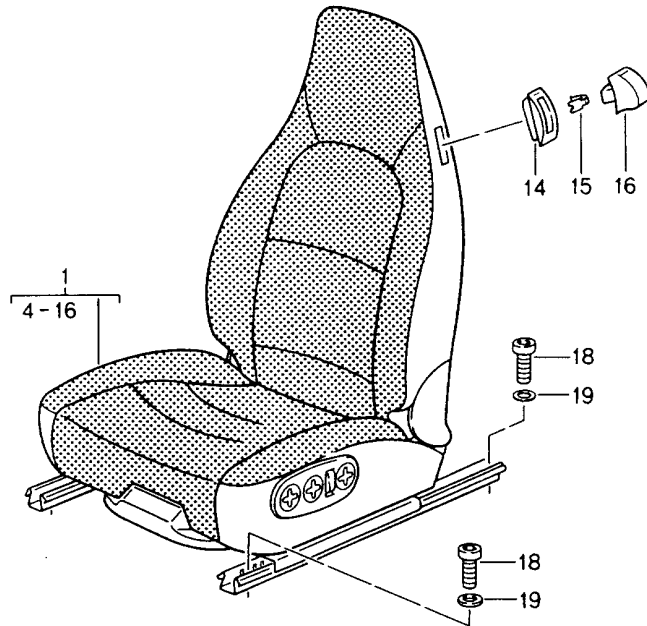
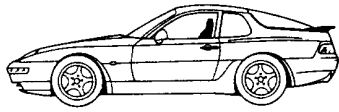
Pos	Part Number	Description	Remark	Qty	Model
		Lumbar support Leather			
	964 521 003 35 KZ2	Black			
	964 521 003 35 BQB	Marine blue			
	964 521 003 35 ARL	Cobalt blue			
	964 521 003 35 APL	Classic grey			
	964 521 003 35 ASL	Magenta			
	964 521 003 35 AQL	Light grey			
	964 521 003 35 ATY	Cashmere beige			
	964 521 003 35 AVF	Matador red			
	964 521 003 35 AVG	Carrara grey			
	964 521 003 35 AVH	Sherwood green			
(3)	964 521 004 35	Comfort seat with Lumbar support Leather	/R	1	M438
	964 521 004 35 KZ2	Black			
	964 521 004 35 BQB	Marine blue			
	964 521 004 35 ARL	Cobalt blue			
	964 521 004 35 APL	Classic grey			
	964 521 004 35 ASL	Magenta			
	964 521 004 35 AQL	Light grey			
	964 521 004 35 ATY	Cashmere beige			
	964 521 004 35 AVF	Matador red			
	964 521 004 35 AVG	Carrara grey			
	964 521 004 35 AVH	Sherwood green			
3	964 521 003 41	Comfort seat with heating And Lumbar support Leather	/L	1	M437
	964 521 003 41 KZ2	Black			
	964 521 003 41 BQB	Marine blue			
	964 521 003 41 ARL	Cobalt blue			
	964 521 003 41 APL	Classic grey			
	964 521 003 41 ASL	Magenta			
	964 521 003 41 AQL	Light grey			
	964 521 003 41 ATY	Cashmere beige			
	964 521 003 41 AVF	Matador red			
	964 521 003 41 AVG	Carrara grey			
	964 521 003 41 AVH	Sherwood green			
(3)	964 521 004 41	Comfort seat with heating And Lumbar support Leather	/R	1	M438
	964 521 004 41 KZ2	Black			
	964 521 004 41 BQB	Marine blue			
	964 521 004 41 ARL	Cobalt blue			
	964 521 004 41 APL	Classic grey			
	964 521 004 41 ASL	Magenta			
	964 521 004 41 AQL	Light grey			
	964 521 004 41 ATY	Cashmere beige			
	964 521 004 41 AVF	Matador red			
	964 521 004 41 AVG	Carrara grey			
	964 521 004 41 AVH	Sherwood green			
4	911 521 547 00	Screw M 10 X 20		8	
5	928 521 717 02	Square rod for backrest adjustment		4	
6	928 521 716 02	Lock washer for backrest adjustment		4	
7	900 249 004 02	Countersunk-head screw		4	

Model: STZ Model life 1985>>1998

Pos	Part Number	Description	Remark	Qty	Model
8	928 521 147 02	M 4 X 8 for backrest adjustment		2	
	928 521 147 02 01C	Cover Black			
	928 521 147 02 9JJ	Marine blue			
	928 521 147 02 6WX	Magenta			
	928 521 147 02 9ZN	Light grey			
	928 521 147 02 6ZF	Cobalt blue			
	928 521 147 02 4XC	Classic grey			
	928 521 147 02 3UD	Cashmere beige			
(8)	928 521 148 02	Cover		2	
	928 521 148 02 01C	Black			
	928 521 148 02 9JJ	Marine blue			
	928 521 148 02 6WX	Magenta			
	928 521 148 02 9ZN	Light grey			
	928 521 148 02 6ZF	Cobalt blue			
	928 521 148 02 4XC	Classic grey			
	928 521 148 02 3UD	Cashmere beige			
9	900 025 044 07	Washer A 4,3		8	
10	900 143 113 07	Oval-head screw B 4,2 X 13		8	
10	900 143 113 0G	Oval-head screw B 4,2 X 13		8	
11	928 521 760 04	Cover Comfort seat		2	
	928 521 760 04 01C	Satin black			
(11)	928 521 760 05	Cover Standard seat		2	
		Electrically adjustable			
	928 521 760 05 01C	Satin black			
12	900 143 113 07	Oval-head screw 4,2 X 13		4	
12	900 143 113 0G	Oval-head screw 4,2 X 13		4	
13	900 025 044 07	Washer A 4,3		4	
-	N 100 472 01	Speed nut ST 3,9		4	
14	900 119 030 02	Pan-head screw M 8 X 20		12	
15	900 089 006 02	Washer 8		12	
15	900 089 006 01	Washer 8		12	
17	944 521 547 00	Base wedge Vertical seat adjustment		X	

Model: STZ

Model life 1985>>1998



Model: STZ Model life 1985>>1998

Pos	Part Number	Description	Remark	Qty	Model
		Front seat Complete	94-95		968
1	993 521 015 16	All-electric Comfort seat without heating Leatherette/ Seat and backrest surface Porsche lettering cloth	/L	1	M437
	993 521 015 16 PX2	Black/black			
	993 521 015 16 APM	Classic grey/classic grey			
	993 521 015 16 DBA	Midnight bl./midnight blue			
	993 521 015 16 DCA	Chestnut brown/ Chestnut brown			
	993 521 015 16 DDA	Marble grey/marble grey			
	993 521 015 16 XK6	Cashmere beige/cash. beige			
(1)	993 521 016 16	Comfort seat without heating Leatherette/ Seat and backrest surface Porsche lettering cloth	/R	1	M438
	993 521 016 16 PX2	Black/black			
	993 521 016 16 APM	Classic grey/classic grey			
	993 521 016 16 DBA	Midnight bl./midnight blue			
	993 521 016 16 DCA	Chestnut brown/ Chestnut brown			
	993 521 016 16 DDA	Marble grey/marble grey			
	993 521 016 16 XK6	Cashmere beige/cash. beige			
1	993 521 015 20	Comfort seat with heating Leatherette/ Seat and backrest surface Porsche lettering cloth	/L	1	M437
	993 521 015 20 PX2	Black/black			
	993 521 015 20 APM	Classic grey/classic grey			
	993 521 015 20 DBA	Midnight bl./midnight blue			
	993 521 015 20 DCA	Chestnut brown/ Chestnut brown			
	993 521 015 20 DDA	Marble grey/marble grey			
	993 521 015 20 XK6	Cashmere beige/cash. beige			
(1)	993 521 016 20	Comfort seat with heating Leatherette/ Seat and backrest surface Porsche lettering cloth	/R	1	M438
	993 521 016 20 PX2	Black/black			
	993 521 016 20 APM	Classic grey/classic grey			
	993 521 016 20 DBA	Midnight bl./midnight blue			
	993 521 016 20 DCA	Chestnut brown/ Chestnut brown			
	993 521 016 20 DDA	Marble grey/marble grey			
	993 521 016 20 XK6	Cashmere beige/cash. beige			
1	993 521 015 24	Comfort seat with Lumbar support Leatherette/ Seat and backrest surface Porsche lettering cloth	/L	1	M437
	993 521 015 24 PX2	Black/black			
	993 521 015 24 APM	Classic grey/classic grey			
	993 521 015 24 DBA	Midnight bl./midnight blue			
	993 521 015 24 DCA	Chestnut brown/ Chestnut brown			
	993 521 015 24 DDA	Marble grey/marble grey			

Model: STZ Model life 1985>>1998

Pos	Part Number	Description	Remark	Qty	Model
(1)	993 521 015 24 XK6	Cashmere beige/cash. beige	/R	1	M438
	993 521 016 24	Comfort seat with Lumbar support			
		Leatherette/			
		Seat and backrest surface			
		Porsche lettering cloth			
	993 521 016 24 PX2	Black/black			
	993 521 016 24 APM	Classic grey/classic grey			
	993 521 016 24 DBA	Midnight bl./midnight blue			
	993 521 016 24 DCA	Chestnut brown/			
		Chestnut brown			
1	993 521 016 24 DDA	Marble grey/marble grey	/L	1	M437
	993 521 016 24 XK6	Cashmere beige/cash. beige			
	993 521 015 28	Comfort seat with heating			
		And Lumbar support			
		Leatherette/			
		Seat and backrest surface			
		Porsche lettering cloth			
	993 521 015 28 PX2	Black/black			
	993 521 015 28 APM	Classic grey/classic grey			
	993 521 015 28 DBA	Midnight bl./midnight blue			
993 521 015 28 DCA	Chestnut brown/				
	Chestnut brown				
993 521 015 28 DDA	Marble grey/marble grey				
993 521 015 28 XK6	Cashmere beige/cash. beige				
(1)	993 521 016 28	Comfort seat with heating	/R	1	M438
		And Lumbar support			
		Leatherette/			
		Seat and backrest surface			
		Porsche lettering cloth			
	993 521 016 28 PX2	Black/black			
	993 521 016 28 APM	Classic grey/classic grey			
	993 521 016 28 DBA	Midnight bl./midnight blue			
	993 521 016 28 DCA	Chestnut brown/			
		Chestnut brown			
993 521 016 28 DDA	Marble grey/marble grey				
993 521 016 28 XK6	Cashmere beige/cash. beige				
2	993 521 015 17	Comfort seat without heating	/L	1	M437
		Leatherette/			
		Seat and backrest surface			
		Leather			
	993 521 015 17 ATG	Black/black			
	993 521 015 17 APK	Classic grey/classic grey			
	993 521 015 17 DBC	Midnight bl./midnight blue			
	993 521 015 17 DCC	Chestnut brown/			
		Chestnut brown			
	993 521 015 17 DDC	Marble grey/marble grey			
993 521 015 17 ATX	Cashmere beige/cash. beige				
(2)	993 521 016 17	Comfort seat without heating	/R	1	M438
		Leatherette/			
		Seat and backrest surface			
		Leather			
	993 521 016 17 ATG	Black/black			
	993 521 016 17 APK	Classic grey/classic grey			
993 521 016 17 DBC	Midnight bl./midnight blue				
993 521 016 17 DCC	Chestnut brown/				



Model: STZ Model life 1985>>1998

Pos	Part Number	Description	Remark	Qty	Model	
2	993 521 016 17 DDC	Chestnut brown				
	993 521 016 17 ATX	Marble grey/marble grey				
	993 521 015 21	Cashmere beige/cash. beige	/L	1	M437	
		Comfort seat with heating				
		Leatherette/				
		Seat and backrest surface				
		Leather				
		993 521 015 21 ATG	Black/black			
		993 521 015 21 APK	Classic grey/classic grey			
		993 521 015 21 DBC	Midnight bl./midnight blue			
(2)	993 521 015 21 DCC	Chestnut brown/				
		Chestnut brown				
	993 521 015 21 DDC	Marble grey/marble grey				
	993 521 015 21 ATX	Cashmere beige/cash. beige	/R	1	M438	
	993 521 016 21	Comfort seat with heating				
		Leatherette/				
		Seat and backrest surface				
		Leather				
		993 521 016 21 ATG	Black/black			
		993 521 016 21 APK	Classic grey/classic grey			
2	993 521 016 21 DBC	Midnight bl./midnight blue				
	993 521 016 21 DCC	Chestnut brown/				
		Chestnut brown				
	993 521 016 21 DDC	Marble grey/marble grey				
	993 521 016 21 ATX	Cashmere beige/cash. beige	/L	1	M437	
	993 521 015 25	Comfort seat with lumbar support				
		Leatherette/				
		Seat and backrest surface				
		Leather				
		993 521 015 25 ATG	Black/black			
(2)	993 521 015 25 APK	Classic grey/classic grey				
	993 521 015 25 DBC	Midnight bl./midnight blue				
	993 521 015 25 DCC	Chestnut brown/				
		Chestnut brown				
	993 521 015 25 DDC	Marble grey/marble grey				
	993 521 015 25 ATX	Cashmere beige/cash. beige	/R	1	M438	
	993 521 016 25	Comfort seat with lumbar support				
		Leatherette/				
		Seat and backrest surface				
		Leather				
2	993 521 016 25 ATG	Black/black				
	993 521 016 25 APK	Classic grey/classic grey				
	993 521 016 25 DBC	Midnight bl./midnight blue				
	993 521 016 25 DCC	Chestnut brown/				
		Chestnut brown				
	993 521 016 25 DDC	Marble grey/marble grey				
	993 521 016 25 ATX	Cashmere beige/cash. beige	/L	1	M437	
	993 521 015 29	Comfort seat with heating				
		And lumbar support				
		Leatherette/				
	Seat and backrest surface					
	Leather					
	993 521 015 29 ATG	Black/black				
	993 521 015 29 APK	Classic grey/classic grey				
	993 521 015 29 DBC	Midnight bl./midnight blue				

Model: STZ Model life 1985>>1998

Pos	Part Number	Description	Remark	Qty	Model
	993 521 015 29 DCC	Chestnut brown/ Chestnut brown			
	993 521 015 29 DDC	Marble grey/marble grey			
	993 521 015 29 ATX	Cashmere beige/cash. beige			
(2)	993 521 016 29	Comfort seat with heating And Lumbar support Leatherette/ Seat and backrest surface Leather	/R	1	M438
	993 521 016 29 ATG	Black/black			
	993 521 016 29 APK	Classic grey/classic grey			
	993 521 016 29 DBC	Midnight bl./midnight blue			
	993 521 016 29 DCC	Chestnut brown/ Chestnut brown			
	993 521 016 29 DDC	Marble grey/marble grey			
	993 521 016 29 ATX	Cashmere beige/cash. beige			
2	993 521 015 18	Front seat without heating Whole-leather	/L	1	M437
	993 521 015 18 ATH	Black			
	993 521 015 18 APL	Classic grey			
	993 521 015 18 DBD	Midnight blue			
	993 521 015 18 DCD	Chestnut brown			
	993 521 015 18 DDD	Marble grey			
	993 521 015 18 ATY	Cashmere beige			
	993 521 015 18 DEC	Provence blue			
	993 521 015 18 DEE	Cedar green			
	993 521 015 18 DEF	Flamenco red			
(2)	993 521 016 18	Front seat without heating Whole-leather	/R	1	M438
	993 521 016 18 ATH	Black			
	993 521 016 18 APL	Classic grey			
	993 521 016 18 DBD	Midnight blue			
	993 521 016 18 DCD	Chestnut brown			
	993 521 016 18 DDD	Marble grey			
	993 521 016 18 ATY	Cashmere beige			
	993 521 016 18 DEC	Provence blue			
	993 521 016 18 DEE	Cedar green			
	993 521 016 18 DEF	Flamenco red			
2	993 521 015 22	Front seat with heating Whole-leather	/L	1	M437
	993 521 015 22 ATH	Black			
	993 521 015 22 APL	Classic grey			
	993 521 015 22 DBD	Midnight blue			
	993 521 015 22 DCD	Chestnut brown			
	993 521 015 22 DDD	Marble grey			
	993 521 015 22 ATY	Cashmere beige			
	993 521 015 22 DEC	Provence blue			
	993 521 015 22 DEE	Cedar green			
	993 521 015 22 DEF	Flamenco red			
(2)	993 521 016 22	Front seat with heating Whole-leather	/R	1	M438
	993 521 016 22 ATH	Black			
	993 521 016 22 APL	Classic grey			
	993 521 016 22 DBD	Midnight blue			
	993 521 016 22 DCD	Chestnut brown			
	993 521 016 22 DDD	Marble grey			
	993 521 016 22 ATY	Cashmere beige			

Model: **STZ** Model life 1985>>1998

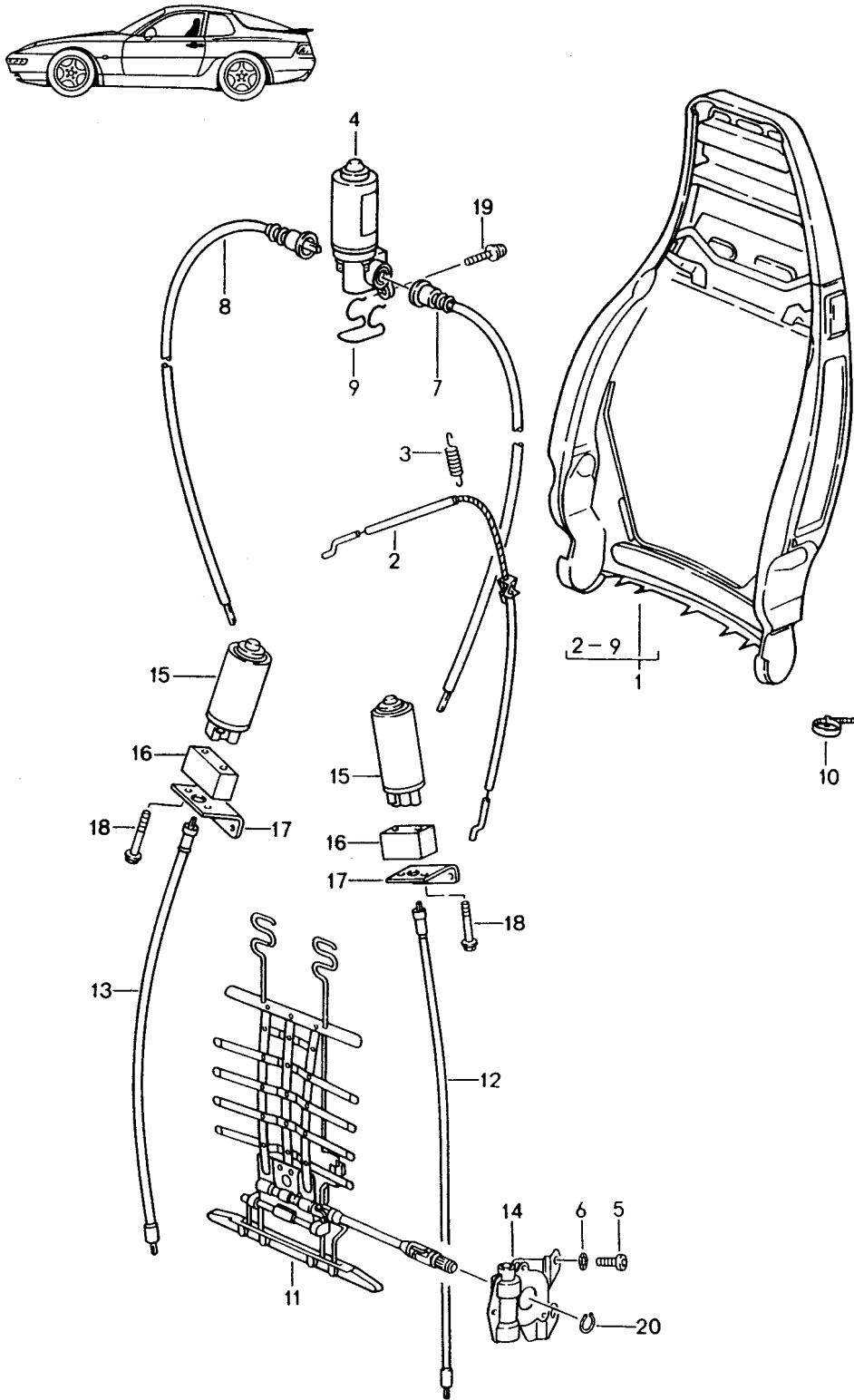
Pos	Part Number	Description	Remark	Qty	Model				
2	993 521 016 22 DEC	Provence blue	/L	1	M437				
	993 521 016 22 DEE	Cedar green							
	993 521 016 22 DEF	Flamenco red							
	993 521 015 26	Front seat with Lumbar support Whole-leather							
	993 521 015 26 ATH	Black							
	993 521 015 26 APL	Classic grey							
	993 521 015 26 DBD	Midnight blue							
	993 521 015 26 DCD	Chestnut brown							
	993 521 015 26 DDD	Marble grey							
	993 521 015 26 ATY	Cashmere beige							
	993 521 015 26 DEC	Provence blue							
	993 521 015 26 DEE	Cedar green							
	993 521 015 26 DEF	Flamenco red							
(2)	993 521 016 26	Front seat with Lumbar support Whole-leather	/R	1	M438				
2	993 521 016 26 ATH	Black	/L	1	M437				
	993 521 016 26 APL	Classic grey							
	993 521 016 26 DBD	Midnight blue							
	993 521 016 26 DCD	Chestnut brown							
	993 521 016 26 DDD	Marble grey							
	993 521 016 26 ATY	Cashmere beige							
	993 521 016 26 DEC	Provence blue							
	993 521 016 26 DEE	Cedar green							
	993 521 016 26 DEF	Flamenco red							
	993 521 015 30	Front seat with heating And Lumbar support Whole-leather							
	993 521 015 30 ATH	Black							
	993 521 015 30 APL	Classic grey							
	993 521 015 30 DBD	Midnight blue							
993 521 015 30 DCD	Chestnut brown								
993 521 015 30 DDD	Marble grey								
993 521 015 30 ATY	Cashmere beige								
993 521 015 30 DEC	Provence blue								
993 521 015 30 DEE	Cedar green								
993 521 015 30 DEF	Flamenco red								
(2)	993 521 016 30	Front seat with heating And Lumbar support Whole-leather	/R	1	M438				
4	993 521 016 30 ATH	Black	/L	6	M437				
	993 521 016 30 APL	Classic grey							
	993 521 016 30 DBD	Midnight blue							
	993 521 016 30 DCD	Chestnut brown							
	993 521 016 30 DDD	Marble grey							
	993 521 016 30 ATY	Cashmere beige							
	993 521 016 30 DEC	Provence blue							
	993 521 016 30 DEE	Cedar green							
	993 521 016 30 DEF	Flamenco red							
	911 521 547 00	Screw M 10 X 20							
	5	928 521 717 02				Square rod for backrest adjustment		4	
	6	928 521 716 02				Lock washer for backrest adjustment		4	

Model: STZ Model life 1985>>1998

Pos	Part Number	Description	Remark	Qty	Model
7	900 249 004 02	Countersunk-head screw M 4 X 8 for backrest adjustment		4	
8	928 521 147 02	Cover	/L	2	
	928 521 147 02 01C	Black			
	928 521 147 02 4XC	Classic grey			
	928 521 147 02 2GS	Midnight blue			
	928 521 147 02 4PV	Chestnut brown			
	928 521 147 02 3BE	Marble grey			
	928 521 147 02 3UD	Cashmere beige			
(8)	928 521 148 02	Cover	/R	2	
	928 521 148 02 01C	Black			
	928 521 148 02 4XC	Classic grey			
	928 521 148 02 2GS	Midnight blue			
	928 521 148 02 4PV	Chestnut brown			
	928 521 148 02 3BE	Marble grey			
	928 521 148 02 3UD	Cashmere beige			
9	900 025 044 07	Washer A 4,3		8	
10	900 143 113 07	Oval-head screw B 4,2 X 13		8	
10	900 143 113 0G	Oval-head screw B 4,2 X 13		8	
11	928 521 760 04	Cover Comfort seat		2	
	928 521 760 04 01C	Satin black			
(11)	928 521 760 05	Cover Standard seat Electrically adjustable		2	
	928 521 760 05 01C	Satin black			
12	900 143 113 07	Oval-head screw 4,2 X 13		4	
12	900 143 113 0G	Oval-head screw 4,2 X 13		4	
13	900 025 044 07	Washer A 4,3		4	
-	N 100 472 01	Speed nut ST 3,9		4	
14	911 521 815 00	Rosette		4	
	911 521 815 00 01C	Satin black			
15	311 881 247	Clip		4	
16	911 521 817 00	Control button		4	
	911 521 817 00 01C	Satin black			
18	900 119 030 02	Pan-head screw M 8 X 20		12	
19	900 089 006 02	Washer 8.0		12	
19	900 089 006 01	Washer 8.0		12	
20	900 025 007 02	Washer 8.4 Only together with Assembly Seat rail Rear		2	
20	900 025 007 03	Washer 8.4 Only together with Assembly Seat rail Rear		2	

Model: STZ

Model life 1985>>1998

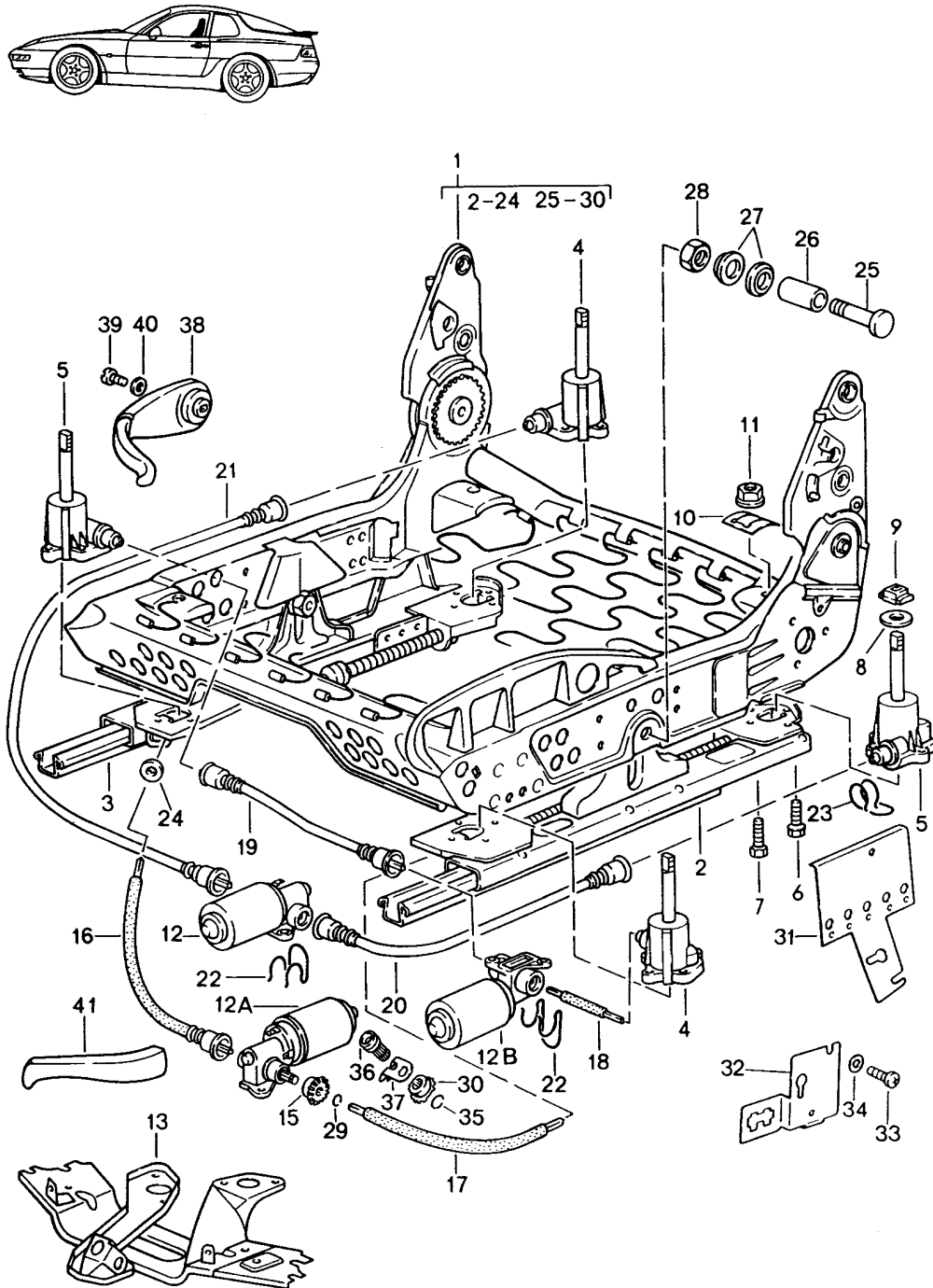


Model: STZ Model life 1985&gt;&gt;1998

Pos	Part Number	Description	Remark	Qty	Model
		Backrest frame Electric Manually Lumbar support	92-95		968
(1)	928 521 027 08	Backrest frame Manually adjustable		2	
1	928 521 027 10	Backrest frame Electrically adjustable		2	
2	928 521 093 02	Bowden cable		4	
3	311 881 287 A	Tension spring		4	
4	928 624 126 01	Actuating lever Geared motor for backrest adjustment		2	
5	N 014 128 4	Oval-head screw M 5 X 8		4	
6	N 012 130 2	Shake-proof washer A 5,3		4	
7	928 521 617 03	Shaft for backrest adjustment	/L	2	
8	928 521 618 03	Shaft for backrest adjustment	/R	2	
9	928 521 675 02	Moulded spring		2	
10	N 020 904 4	Tie-wrap 6,5 X 120		10	
11	928 521 135 02	Lumbar support		1	
12	928 521 315 03	Pliable shaft Lumbar support adjustment Curvature		1	
13	928 521 315 02	Pliable shaft Lumbar support adjustment Height		1	
14	928 521 153 03	Transmission		1	
15	928 624 122 02	Adjusting motor		1	
16	928 624 199 00	Lumbar Spacer		4	
17	928 624 057 00	Lumbar support Engine carrier Lumbar support		2	
18	999 919 058 02	Hexagon-head bolt H 5 X 40		8	
19	900 146 117 02	Lumbar support Combination screw M 5 X 12 Z1		4	
20	N 012 411 1	Circlip 11 X 1 Lumbar support		2	

Model: STZ

Model life 1985>>1998



Model: STZ Model life 1985>>1998

Pos	Part Number	Description	Remark	Qty	Model
		Seat frame Manually adjustable Electrically adjustable	92-95		968
(1)	993 521 069 00	Seat frame Manually adjustable	/L 94-	1	
(1)	993 521 070 00	Seat frame Manually adjustable	/R 94-	1	
(1)	993 521 069 01	Seat frame Elect. vertical adjustment	/L 94-	1	
(1)	993 521 070 01	Seat frame Elect. vertical adjustment	/R	1	
(1)		Seat frame Elect. vertical adjustment	/R 94-	1	
(1)	993 521 069 03	Seat frame All-electric	/L 94-	1	
(1)	993 521 070 03	Seat frame All-electric	/R 94-	1	
(2)	928 521 489 10	Seat rail Left seat Outer for manual adjustment		1	
(2)	928 521 490 10	Seat rail Right seat Outer for manual adjustment		1	
(3)	928 521 492 08	Seat rail Left seat Inner for manual adjustment		1	
(3)	928 521 491 08	Seat rail Right seat Inner for manual adjustment		1	
(2)	928 521 489 11	Seat rail Left seat Outer Elect. vertical adjustment		1	
(2)	928 521 490 11	Seat rail Right seat Outer Elect. vertical adjustment		1	
(3)	964 521 492 00	Seat rail Left seat Inner Elect. vertical adjustment		1	
(3)	964 521 491 00	Seat rail Right seat Inner Elect. vertical adjustment		1	
2	928 521 489 08	Seat rail Left seat Outer All-electric		1	
(2)	928 521 490 08	Seat rail Right seat Outer All-electric		1	
3	964 521 492 01	Seat rail Left seat Inner All-electric		1	
(3)	964 521 491 01	Seat rail Right seat All-electric		1	



Model: STZ Model life 1985&gt;&gt;1998

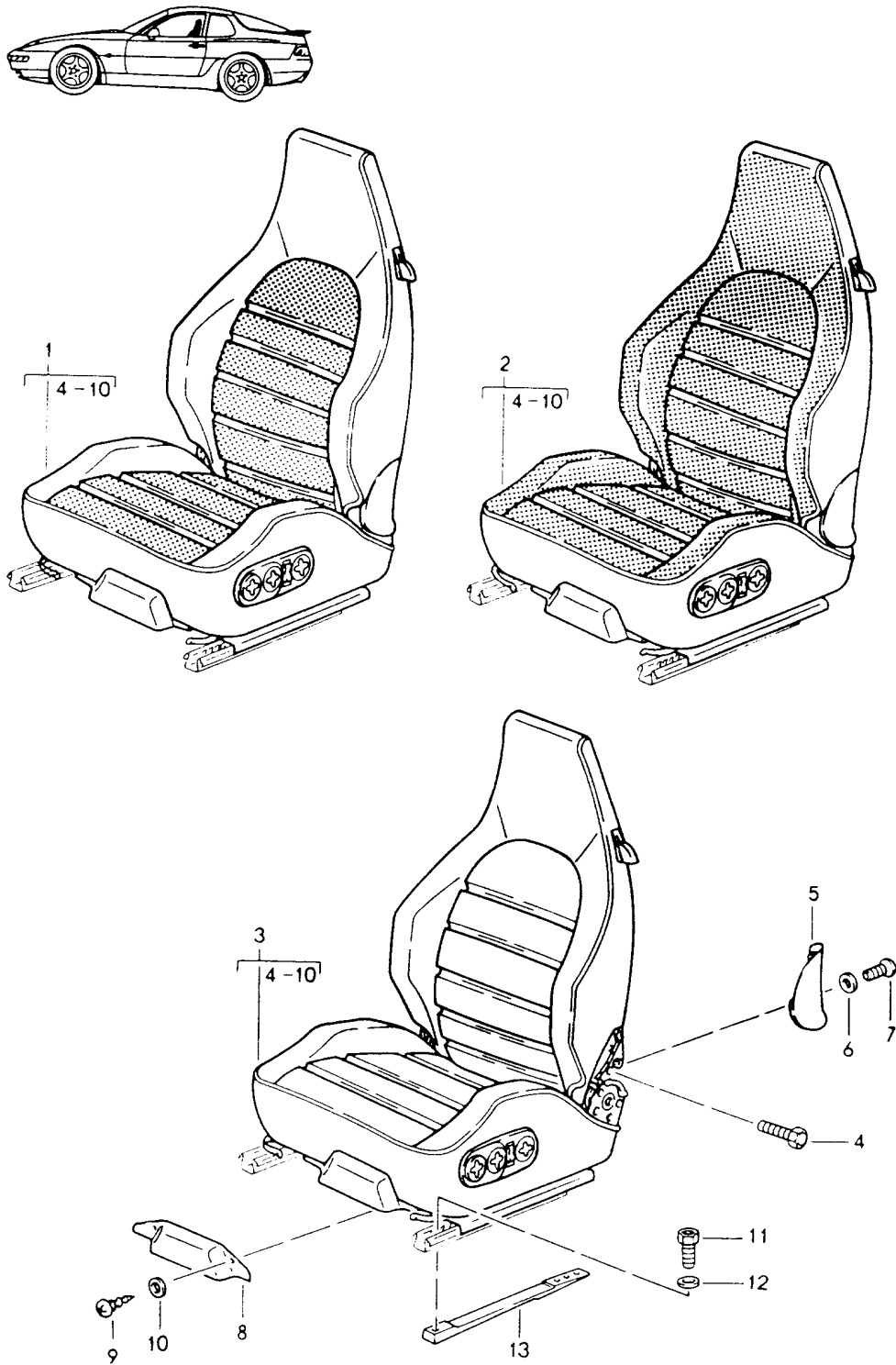
Pos	Part Number	Description	Remark	Qty	Model
(4)	928 521 721 03	Inner All-electric Lifting gear		4	
(5)	928 521 722 03	Left front, right rear Lifting gear		4	
6	999 217 033 01	Right front, left rear Locking screw		20	
7	900 186 032 02	M 6 X 16 Pan-head screw		8	
8	999 025 129 40	M 6 X 12 Washer		8	
9	928 521 727 02	Slide		8	
10	928 521 723 02	Guide spring		8	
11	928 521 730 02	Nut		8	
12	928 624 126 01	Geared motor Rear vertical adjustment		2	
12A	928 624 136 00	Geared motor for longitudinal adjustment		2	
12B	928 624 126 01	Geared motor Front vertical adjustment		2	
13	928 521 033 03	Engine support		2	
15	928 521 818 03	Bevel pinion for emergency control		2	
16	928 521 252 04	Shaft for longitudinal adjustment		2	
17	928 521 251 03	Shaft for longitudinal adjustment		2	
18	928 521 671 03	Shaft Front vertical adjustment	/L	2	
19	928 521 672 03	Shaft Front vertical adjustment	/R	2	
20	928 521 673 05	Flexible shaft Rear vertical adjustment	/L	2	
21	928 521 674 05	Flexible shaft Rear vertical adjustment	/R	2	
21	928 521 674 06	Flexible shaft Rear vertical adjustment	/R	2	
22	928 521 675 02	Moulded spring for engine		6	
23	928 521 699 00	Moulded spring Transmission		6	
24	999 591 778 02	Support		6	
25	928 521 681 02	Bolt 1,5 PA 6		4	
26	928 521 685 02	Bush		4	
27	928 521 683 02	Washer 1,5 PA 6		8	
28	900 034 003 02	Hexagon nut M 10		4	
29	900 906 005 01	Circlip A 8		2	
30	928 521 818 04	Bevel pinion for emergency control		2	
31	928 653 501 03	Bracket		2	
32	928 653 503 02	Bracket		2	
33	N 014 133 8	Oval-head screw M 5 X 12		2	
34	900 025 003 02	Washer A 5,3		2	
35	N 042 499 1	Circlip A12		2	
36	928 521 816 03	Bearing pin		2	
37	928 521 686 00	Moulded spring		2	

Model: STZ Model life 1985>>1998

Pos	Part Number	Description	Remark	Qty	Model
(38)	964 521 073 00	Lever		2	
	964 521 073 00 01C	Satin black			
33	964 521 073 01	Lever		2	
	964 521 073 01 01C	Black			
39	900 119 011 07	Pan-head screw M 5 X 10		1	
40	900 031 006 07	Washer 5,3		1	
(41)	911 521 533 01	Handle for longitudinal adjustment		2	
	911 521 533 01 01C	Satin black			
-	928 521 525 03	Connecting rod Manually for longitudinal adjustment		2	
-	N 902 514 01	Clamping sleeve Manually for longitudinal adjustment		4	
-	N 902 515 01	Guide bush Manually for longitudinal adjustment		4	

Model: STZ

Model life 1985>>1998



Model: STZ Model life 1985>>1998

Pos	Part Number	Description	Remark	Qty	Model
		Sports seat Complete	92-93		968
1	944 521 001 13	Elect. vertical adjustment Sports seat without heating Leatherette/ Centre part in cloth Multicolour	/L	1	M383
	944 521 001 13 XJ1	Black/black			
	944 521 001 13 XJ4	Marine blue/marine blue			
	944 521 001 13 ASC	Magenta/Magenta			
	944 521 001 13 AQC	Light grey/light grey			
	944 521 001 13 ARC	Cobalt blue/cobalt blue			
	944 521 001 13 APC	Classic grey/classic grey			
	944 521 001 13 AQW	Cashmere beige/cash. beige			
(1)	944 521 002 13	Sports seat without heating Leatherette/ Centre part in cloth Multicolour	/R	1	M387
	944 521 002 13 XJ1	Black/black			
	944 521 002 13 XJ4	Marine blue/marine blue			
	944 521 002 13 ASC	Magenta/Magenta			
	944 521 002 13 AQC	Light grey/light grey			
	944 521 002 13 ARC	Cobalt blue/cobalt blue			
	944 521 002 13 APC	Classic grey/classic grey			
	944 521 002 13 AQW	Cashmere beige/cash. beige			
(1)	944 521 001 14	Sports seat with heating Leatherette/ Centre part in cloth Multicolour	/L	1	M383
	944 521 001 14 XJ1	Black/black			
	944 521 001 14 XJ4	Marine blue/marine blue			
	944 521 001 14 ASC	Magenta/Magenta			
	944 521 001 14 AQC	Light grey/light grey			
	944 521 001 14 ARC	Cobalt blue/cobalt blue			
	944 521 001 14 APC	Classic grey/classic grey			
	944 521 001 14 AQW	Cashmere beige/cash. beige			
(1)	944 521 002 14	Sports seat with heating Leatherette/ Centre part in cloth Multicolour	/R	1	M387
	944 521 002 14 XJ1	Black/black			
	944 521 002 14 XJ4	Marine blue/marine blue			
	944 521 002 14 ASC	Magenta/Magenta			
	944 521 002 14 AQC	Light grey/light grey			
	944 521 002 14 ARC	Cobalt blue/cobalt blue			
	944 521 002 14 APC	Classic grey/classic grey			
	944 521 002 14 AQW	Cashmere beige/cash. beige			
1	944 521 001 13	Sports seat without heating Leatherette/ Centre part Porsche lettering cloth	/L	1	M383
	944 521 001 13 PX1	Black/black			
	944 521 001 13 XJ9	Marine blue/blue			
	944 521 001 13 ASA	Magenta/Magenta			
	944 521 001 13 AQA	Light grey/light grey			
	944 521 001 13 ARA	Cobalt blue/cobalt blue			
	944 521 001 13 APA	Classic grey/classic grey			
	944 521 001 13 AQZ	Cashmere beige/cash. beige			

Model: STZ Model life 1985>>1998

Pos	Part Number	Description	Remark	Qty	Model
(1)	944 521 002 13	Sports seat without heating Leatherette/ Centre part Porsche lettering cloth	/R	1	M387
	944 521 002 13 PX1	Black/black			
	944 521 002 13 XJ9	Marine blue/blue			
	944 521 002 13 ASA	Magenta/Magenta			
	944 521 002 13 AQA	Light grey/light grey			
	944 521 002 13 ARA	Cobalt blue/cobalt blue			
	944 521 002 13 APA	Classic grey/classic grey			
	944 521 002 13 AQZ	Cashmere beige/cash. beige			
(1)	944 521 001 14	Sports seat with heating Leatherette/ Centre part Porsche lettering cloth	/L	1	M383
	944 521 001 14 PX1	Black/black			
	944 521 001 14 XJ9	Marine blue/blue			
	944 521 001 14 ASA	Magenta/Magenta			
	944 521 001 14 AQA	Light grey/light grey			
	944 521 001 14 ARA	Cobalt blue/cobalt blue			
	944 521 001 14 APA	Classic grey/classic grey			
	944 521 001 14 AQZ	Cashmere beige/cash. beige			
(1)	944 521 002 14	Sports seat with heating Leatherette/ Centre part Porsche lettering cloth	/R	1	M387
	944 521 002 14 PX1	Black/black			
	944 521 002 14 XJ9	Marine blue/blue			
	944 521 002 14 ASA	Magenta/Magenta			
	944 521 002 14 AQA	Light grey/light grey			
	944 521 002 14 ARA	Cobalt blue/cobalt blue			
	944 521 002 14 APA	Classic grey/classic grey			
	944 521 002 14 AQZ	Cashmere beige/cash. beige			
2	944 521 001 04	Sports seat without heating Leatherette/ Seat and backrest surface Multicolour	/L	1	M383
	944 521 001 04 XK8	Black/black			
	944 521 001 04 XN1	Marine blue/marine blue			
	944 521 001 04 ASN	Magenta/Magenta			
	944 521 001 04 AQN	Light grey/light grey			
	944 521 001 04 AQV	Cobalt blue/cobalt blue			
	944 521 001 04 AQP	Classic grey/classic grey			
	944 521 001 04 XK7	Cashmere beige/cash. beige			
(2)	944 521 002 04	Sports seat without heating Leatherette/ Seat and backrest surface Multicolour	/R	1	M387
	944 521 002 04 XK8	Black/black			
	944 521 002 04 XN1	Marine blue/marine blue			
	944 521 002 04 ASN	Magenta/Magenta			
	944 521 002 04 AQN	Light grey/light grey			
	944 521 002 04 AQV	Cobalt blue/cobalt blue			
	944 521 002 04 AQP	Classic grey/classic grey			
	944 521 002 04 XK7	Cashmere beige/cash. beige			
(2)	944 521 001 05	Sports seat with heating Leatherette/	/L	1	M383

Model: STZ Model life 1985>>1998

Pos	Part Number	Description	Remark	Qty	Model
		Seat and backrest surface Multicolour			
	944 521 001 05 XK8	Black/black			
	944 521 001 05 XN1	Marine blue/marine blue			
	944 521 001 05 ASN	Magenta/Magenta			
	944 521 001 05 AQN	Light grey/light grey			
	944 521 001 05 AQV	Cobalt blue/cobalt blue			
	944 521 001 05 AQP	Classic grey/classic grey			
	944 521 001 05 XK7	Cashmere beige/cash. beige			
(2)	944 521 002 05	Sports seat with heating Leatherette/ Seat and backrest surface Multicolour	/R	1	M387
	944 521 002 05 XK8	Black/black			
	944 521 002 05 XN1	Marine blue/marine blue			
	944 521 002 05 ASN	Magenta/Magenta			
	944 521 002 05 AQN	Light grey/light grey			
	944 521 002 05 AQV	Cobalt blue/cobalt blue			
	944 521 002 05 AQP	Classic grey/classic grey			
	944 521 002 05 XK7	Cashmere beige/cash. beige			
2	944 521 001 04	Sports seat without heating Leatherette/ Seat and backrest surface Porsche lettering cloth	/L	1	M383
	944 521 001 04 PX2	Black/black			
	944 521 001 04 TR9	Marine blue/blue			
	944 521 001 04 ASM	Magenta/Magenta			
	944 521 001 04 AQM	Light grey/light grey			
	944 521 001 04 ARM	Cobalt blue/cobalt blue			
	944 521 001 04 APM	Classic grey/classic grey			
	944 521 001 04 XK6	Cashmere beige/cash. beige			
(2)	944 521 002 04	Sports seat without heating Leatherette/ Seat and backrest surface Porsche lettering cloth	/R	1	M387
	944 521 002 04 PX2	Black/black			
	944 521 002 04 TR9	Marine blue/blue			
	944 521 002 04 ASM	Magenta/Magenta			
	944 521 002 04 AQM	Light grey/light grey			
	944 521 002 04 ARM	Cobalt blue/cobalt blue			
	944 521 002 04 APM	Classic grey/classic grey			
	944 521 002 04 XK6	Cashmere beige/cash. beige			
(2)	944 521 001 05	Sports seat with heating Leatherette/ Seat and backrest surface Porsche lettering cloth	/L	1	M383
	944 521 001 05 PX2	Black/black			
	944 521 001 05 TR9	Marine blue/blue			
	944 521 001 05 ASM	Magenta/Magenta			
	944 521 001 05 AQM	Light grey/light grey			
	944 521 001 05 ARM	Cobalt blue/cobalt blue			
	944 521 001 05 APM	Classic grey/classic grey			
	944 521 001 05 XK6	Cashmere beige/cash. beige			
(2)	944 521 002 05	Sports seat with heating Leatherette/ Seat and backrest surface Porsche lettering cloth	/R	1	M387
	944 521 002 05 PX2	Black/black			

Model: STZ Model life 1985>>1998

Pos	Part Number	Description	Remark	Qty	Model	
3	944 521 002 05 TR9	Marine blue/blue				
	944 521 002 05 ASM	Magenta/Magenta				
	944 521 002 05 AQM	Light grey/light grey				
	944 521 002 05 ARM	Cobalt blue/cobalt blue				
	944 521 002 05 APM	Classic grey/classic grey				
	944 521 002 05 XK6	Cashmere beige/cash. beige				
	944 521 001 62	Sports seat without heating Leatherette/ Seat and backrest surface Leather	/L	1	M383	
	944 521 001 62 JN3	Black/black				
	944 521 001 62 ASK	Magenta/Magenta				
	944 521 001 62 AQK	Light grey/light grey				
(3)	944 521 001 62 BQA	Marine blue/marine blue				
	944 521 001 62 ARK	Cobalt blue/cobalt blue				
	944 521 001 62 APK	Classic grey/classic grey				
	944 521 001 62 ATX	Cashmere beige/cash. beige				
	944 521 002 62	Sports seat without heating Leatherette/ Seat and backrest surface Leather	/R	1	M387	
	944 521 002 62 JN3	Black/black				
	944 521 002 62 ASK	Magenta/Magenta				
	944 521 002 62 AQK	Light grey/light grey				
	944 521 002 62 BQA	Marine blue/marine blue				
	944 521 002 62 ARK	Cobalt blue/cobalt blue				
(3)	944 521 002 62 APK	Classic grey/classic grey				
	944 521 002 62 ATX	Cashmere beige/cash. beige				
	944 521 001 66	Sports seat with heating Leatherette/ Seat and backrest surface Leather	/L	1	M383	
	944 521 001 66 JN3	Black/black				
	944 521 001 66 ASK	Magenta/Magenta				
	944 521 001 66 AQK	Light grey/light grey				
	944 521 001 66 BQA	Marine blue/marine blue				
	944 521 001 66 ARK	Cobalt blue/cobalt blue				
	944 521 001 66 APK	Classic grey/classic grey				
	944 521 001 66 ATX	Cashmere beige/cash. beige				
(3)	944 521 002 66	Sports seat with heating Leatherette/ Seat and backrest surface Leather	/R	1	M387	
	944 521 002 66 JN3	Black/black				
	944 521 002 66 ASK	Magenta/Magenta				
	944 521 002 66 AQK	Light grey/light grey				
	944 521 002 66 BQA	Marine blue/marine blue				
	944 521 002 66 ARK	Cobalt blue/cobalt blue				
	944 521 002 66 APK	Classic grey/classic grey				
	944 521 002 66 ATX	Cashmere beige/cash. beige				
	3	944 521 001 60	Sports seat without heating Whole-leather	/L	1	M383
		944 521 001 60 KZ2	Black			
	944 521 001 60 ASL	Magenta				
	944 521 001 60 AQL	Light grey				
	944 521 001 60 BQB	Marine blue				
	944 521 001 60 ARL	Cobalt blue				
	944 521 001 60 APL	Classic grey				

Model: STZ Model life 1985>>1998

Pos	Part Number	Description	Remark	Qty	Model	
(3)	944 521 001 60 ATY	Cashmere beige				
	944 521 001 60 AVF	Matador red				
	944 521 001 60 AVG	Carrara grey				
	944 521 001 60 AVH	Sherwood green				
	944 521 002 60	Sports seat without heating Whole-leather	/R	1	M387	
	944 521 002 60 KZ2	Black				
	944 521 002 60 ASL	Magenta				
	944 521 002 60 AQL	Light grey				
	944 521 002 60 BQB	Marine blue				
	944 521 002 60 ARL	Cobalt blue				
(3)	944 521 002 60 APL	Classic grey				
	944 521 002 60 ATY	Cashmere beige				
	944 521 002 60 AVF	Matador red				
	944 521 002 60 AVG	Carrara grey				
	944 521 002 60 AVH	Sherwood green				
	944 521 001 64	Sports seat with heating Whole-leather	/L	1	M383	
	944 521 001 64 KZ2	Black				
	944 521 001 64 ASL	Magenta				
	944 521 001 64 AQL	Light grey				
	944 521 001 64 BQB	Marine blue				
(3)	944 521 001 64 ARL	Cobalt blue				
	944 521 001 64 APL	Classic grey				
	944 521 001 64 ATY	Cashmere beige				
	944 521 001 64 AVF	Matador red				
	944 521 001 64 AVG	Carrara grey				
	944 521 001 64 AVH	Sherwood green				
	944 521 002 64	Sports seat with heating Whole-leather	/R	1	M387	
	944 521 002 64 KZ2	Black				
	944 521 002 64 ASL	Magenta				
	944 521 002 64 AQL	Light grey				
4	944 521 002 64 BQB	Marine blue				
	944 521 002 64 ARL	Cobalt blue				
	944 521 002 64 APL	Classic grey				
	944 521 002 64 ATY	Cashmere beige				
	944 521 002 64 AVF	Matador red				
	944 521 002 64 AVG	Carrara grey				
	944 521 002 64 AVH	Sherwood green				
	911 521 547 00	Screw M 10 X 20		4		
	5	928 521 147 02	Cover	/L	1	
		928 521 147 02 01C	Black			
928 521 147 02 9JJ		Marine blue				
928 521 147 02 6WX		Magenta				
928 521 147 02 9ZN		Light grey				
928 521 147 02 6ZF		Cobalt blue				
928 521 147 02 4XC		Classic grey				
928 521 147 02 3UD		Cashmere beige				
928 521 148 02		Cover	/R	1		
928 521 148 02 01C		Black				
(5)	928 521 148 02 9JJ	Marine blue				
	928 521 148 02 6WX	Magenta				
	928 521 148 02 9ZN	Light grey				
	928 521 148 02 6ZF	Cobalt blue				
	928 521 148 02 4XC	Classic grey				
	928 521 148 02 3UD	Cashmere beige				
	6	900 025 044 07	Washer A 4,3		4	

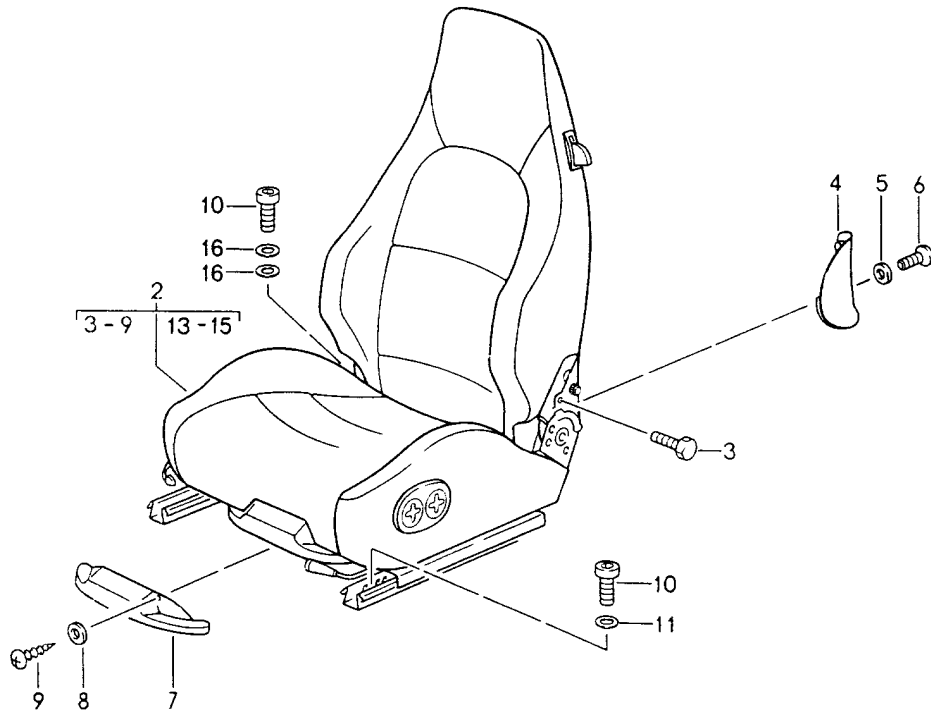
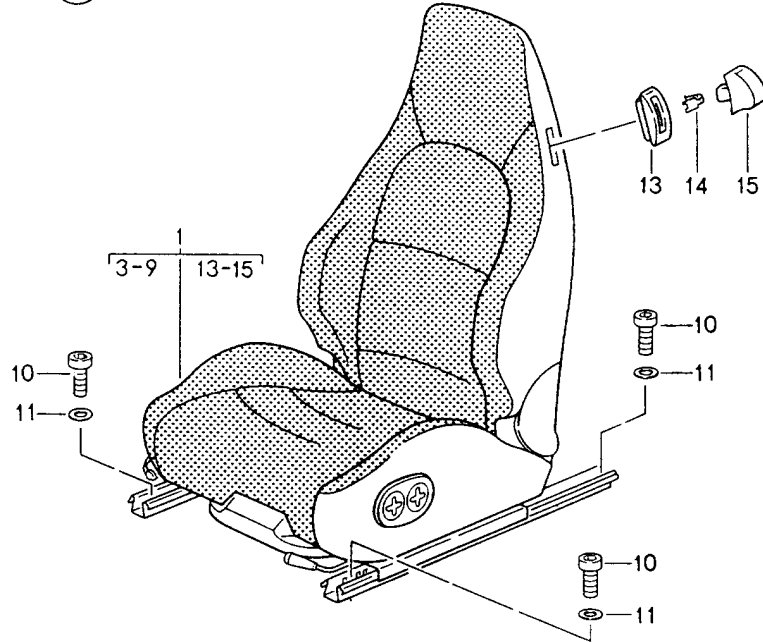
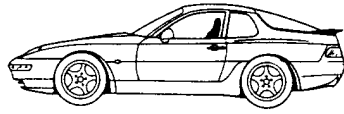


Model: STZ Model life 1985>>1998

Pos	Part Number	Description	Remark	Qty	Model
7	900 143 113 07	Oval-head screw B 4,2 X 13		4	
7	900 143 113 0G	Oval-head screw B 4,2 X 13		4	
8	928 521 760 05	Cover		1	
	928 521 760 05 01C	Satin black			
9	900 143 113 07	Oval-head screw 4,2 X 13		2	
9	900 143 113 0G	Oval-head screw 4,2 X 13		2	
10	900 025 044 07	Washer A 4,3		2	
-	N 100 472 01	Speed nut ST 3.9		2	
11	900 119 030 02	Pan-head screw M 8 X 20		12	
12	900 089 006 02	Washer 8		12	
12	900 089 006 01	Washer 8		12	
13	944 521 547 00	Base wedge Vertical seat adjustment		X	

Model: STZ

Model life 1985>>1998



Model: STZ Model life 1985>>1998

Pos	Part Number	Description	Remark	Qty	Model
		Sports seat with Elect. vertical adjustment Complete	94-95		968 M383/387
1	993 521 017 06	Sports seat without heating Leatherette/ Seat and backrest surface Porsche lettering cloth	/L	1	M383
	993 521 017 06 PX2	Black/black			
	993 521 017 06 APM	Classic grey/classic grey			
	993 521 017 06 DBA	Midnight bl./midnight blue			
	993 521 017 06 DCA	Chestnut brown/ Chestnut brown			
	993 521 017 06 DDA	Marble grey/marble grey			
	993 521 017 06 XK6	Cashmere beige/cash. beige			
(1)	993 521 018 06	Sports seat without heating Leatherette/ Seat and backrest surface Porsche lettering cloth	/R	1	M387
	993 521 018 06 PX2	Black/black			
	993 521 018 06 APM	Classic grey/classic grey			
	993 521 018 06 DBA	Midnight bl./midnight blue			
	993 521 018 06 DCA	Chestnut brown/ Chestnut brown			
	993 521 018 06 DDA	Marble grey/marble grey			
	993 521 018 06 XK6	Cashmere beige/cash. beige			
1	993 521 017 09	Sports seat with heating Leatherette/ Seat and backrest surface Porsche lettering cloth	/L	1	M383
	993 521 017 09 PX2	Black/black			
	993 521 017 09 APM	Classic grey/classic grey			
	993 521 017 09 DBA	Midnight bl./midnight blue			
	993 521 017 09 DCA	Chestnut brown/ Chestnut brown			
	993 521 017 09 DDA	Marble grey/marble grey			
	993 521 017 09 XK6	Cashmere beige/cash. beige			
(1)	993 521 018 09	Sports seat with heating Leatherette/ Seat and backrest surface Porsche lettering cloth	/R	1	M387
	993 521 018 09 PX2	Black/black			
	993 521 018 09 APM	Classic grey/classic grey			
	993 521 018 09 DBA	Midnight bl./midnight blue			
	993 521 018 09 DCA	Chestnut brown/ Chestnut brown			
	993 521 018 09 DDA	Marble grey/marble grey			
	993 521 018 09 XK6	Cashmere beige/cash. beige			
2	993 521 017 07	Sports seat without heating Leatherette/ Seat and backrest surface Leather	/L	1	M383
	993 521 017 07 ATG	Black/black			
	993 521 017 07 APK	Classic grey/classic grey			
	993 521 017 07 DBC	Midnight bl./midnight blue			
	993 521 017 07 DCC	Chestnut brown/ Chestnut brown			
	993 521 017 07 DDC	Marble grey/marble grey			

Model: STZ Model life 1985>>1998

Pos	Part Number	Description	Remark	Qty	Model
(2)	993 521 017 07 ATX 993 521 018 07	Cashmere beige/cash. beige Sports seat without heating Leatherette/ Seat and backrest surface Leather	/R	1	M387
	993 521 018 07 ATG	Black/black			
	993 521 018 07 APK	Classic grey/classic grey			
	993 521 018 07 DBC	Midnight bl./midnight blue			
	993 521 018 07 DCC	Chestnut brown/ Chestnut brown			
	993 521 018 07 DDC	Marble grey/marble grey			
2	993 521 018 07 ATX 993 521 017 10	Cashmere beige/cash. beige Sports seat with heating Leatherette/ Seat and backrest surface Leather	/L	1	M383
	993 521 017 10 ATG	Black/black			
	993 521 017 10 APK	Classic grey/classic grey			
	993 521 017 10 DBC	Midnight bl./midnight blue			
	993 521 017 10 DCC	Chestnut brown/ Chestnut brown			
	993 521 017 10 DDC	Marble grey/marble grey			
(2)	993 521 017 10 ATX 993 521 018 10	Cashmere beige/cash. beige Sports seat with heating Leatherette/ Seat and backrest surface Leather	/R	1	M387
	993 521 018 10 ATG	Black/black			
	993 521 018 10 APK	Classic grey/classic grey			
	993 521 018 10 DBC	Midnight bl./midnight blue			
	993 521 018 10 DCC	Chestnut brown/ Chestnut brown			
	993 521 018 10 DDC	Marble grey/marble grey			
2	993 521 018 10 ATX 993 521 017 08	Cashmere beige/cash. beige Sports seat without heating Whole-leather	/L	1	M383
	993 521 017 08 ATH	Black			
	993 521 017 08 APL	Classic grey			
	993 521 017 08 DBD	Midnight blue			
	993 521 017 08 DCD	Chestnut brown			
	993 521 017 08 DDD	Marble grey			
	993 521 017 08 ATY	Cashmere beige			
	993 521 017 08 DEC	Provence blue			
	993 521 017 08 DEE	Cedar green			
	993 521 017 08 DEF	Flamenco red			
(2)	993 521 018 08	Sports seat without heating Whole-leather	/R	1	M387
	993 521 018 08 ATH	Black			
	993 521 018 08 APL	Classic grey			
	993 521 018 08 DBD	Midnight blue			
	993 521 018 08 DCD	Chestnut brown			
	993 521 018 08 DDD	Marble grey			
	993 521 018 08 ATY	Cashmere beige			
	993 521 018 08 DEC	Provence blue			
	993 521 018 08 DEE	Cedar green			
	993 521 018 08 DEF	Flamenco red			
2	993 521 017 11	Sports seat with heating	/L	1	M383

Model: STZ Model life 1985>>1998

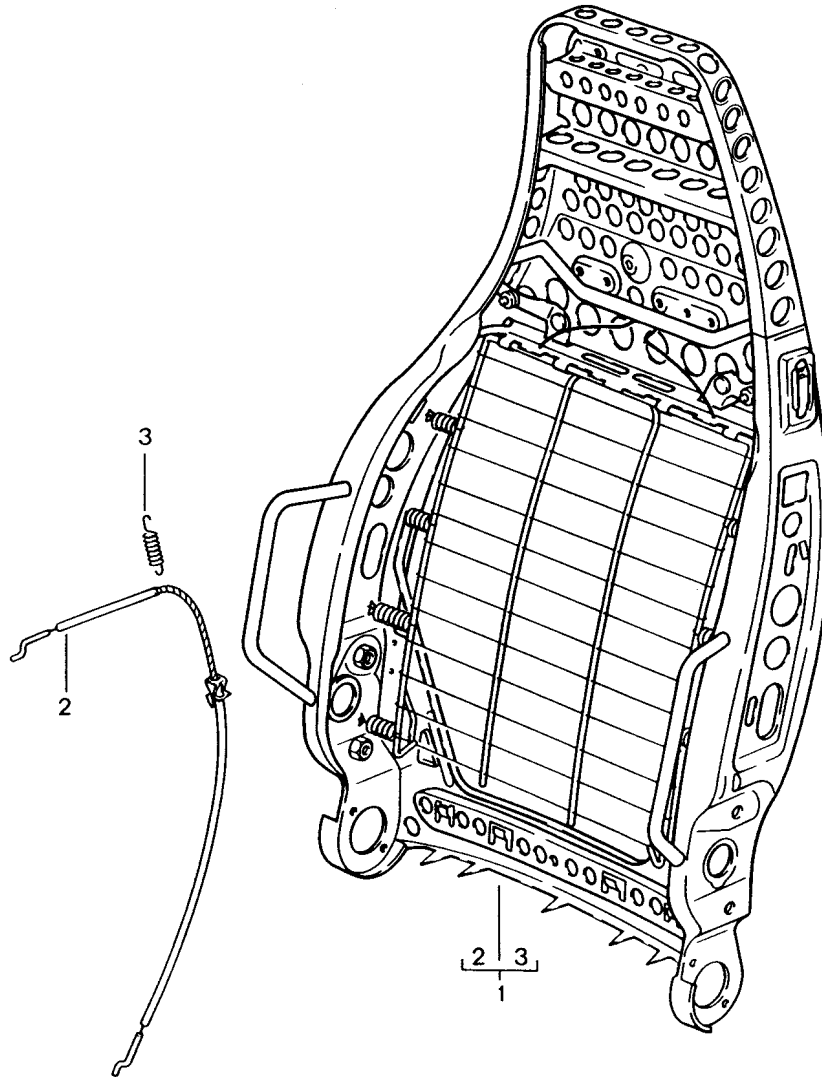
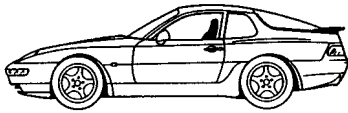
Pos	Part Number	Description	Remark	Qty	Model
		Whole-leather			
	993 521 017 11 ATH	Black			
	993 521 017 11 APL	Classic grey			
	993 521 017 11 DBD	Midnight blue			
	993 521 017 11 DCD	Chestnut brown			
	993 521 017 11 DDD	Marble grey			
	993 521 017 11 ATY	Cashmere beige			
	993 521 017 11 DEC	Provence blue			
	993 521 017 11 DEE	Cedar green			
	993 521 017 11 DEF	Flamenco red			
(2)	993 521 018 11	Sports seat with heating	/R	1	M387
		Whole-leather			
	993 521 018 11 ATH	Black			
	993 521 018 11 APL	Classic grey			
	993 521 018 11 DBD	Midnight blue			
	993 521 018 11 DCD	Chestnut brown			
	993 521 018 11 DDD	Marble grey			
	993 521 018 11 ATY	Cashmere beige			
	993 521 018 11 DEC	Provence blue			
	993 521 018 11 DEE	Cedar green			
	993 521 018 11 DEF	Flamenco red			
3	911 521 547 00	Screw M 10 X 20		8	
4	928 521 147 02	Cover	/L	2	
	928 521 147 02 01C	Black			
	928 521 147 02 4XC	Classic grey			
	928 521 147 02 2GS	Midnight blue			
	928 521 147 02 4PV	Chestnut brown			
	928 521 147 02 3BE	Marble grey			
	928 521 147 02 3UD	Cashmere beige			
(4)	928 521 148 02	Cover	/R	2	
	928 521 148 02 01C	Black			
	928 521 148 02 4XC	Classic grey			
	928 521 148 02 2GS	Midnight blue			
	928 521 148 02 4PV	Chestnut brown			
	928 521 148 02 3BE	Marble grey			
	928 521 148 02 3UD	Cashmere beige			
5	900 025 044 07	Washer A 4,3		8	
6	900 143 113 07	Oval-head screw B 4,2 X 13		8	
6	900 143 113 0G	Oval-head screw B 4,2 X 13		8	
7	928 521 760 05	Cover		2	
	928 521 760 05 01C	Satin black			
8	900 025 044 07	Washer A 4,3		4	
9	900 143 113 07	Oval-head screw 4,2 X 13		4	
9	900 143 113 0G	Oval-head screw 4,2 X 13		4	
-	N 100 472 01	Speed nut ST 3,9		4	
10	900 119 030 02	Pan-head screw M 8 X 20		12	
11	900 089 006 02	Washer 8,0		12	
11	900 089 006 01	Washer 8,0		12	
13	911 521 815 00	Rosette		4	
	911 521 815 00 01C	Satin black			
14	311 881 247	Clip		4	

Model: STZ Model life 1985>>1998

Pos	Part Number	Description	Remark	Qty	Model
15	911 521 817 00	Control button		4	
	911 521 817 00 01C	Satin black			
16	900 025 007 02	Washer 8,4 Only together with Assembly Seat rail Rear		2	
16	900 025 007 03	Washer 8,4 Only together with Assembly Seat rail Rear		2	

Model: STZ

Model life 1985>>1998



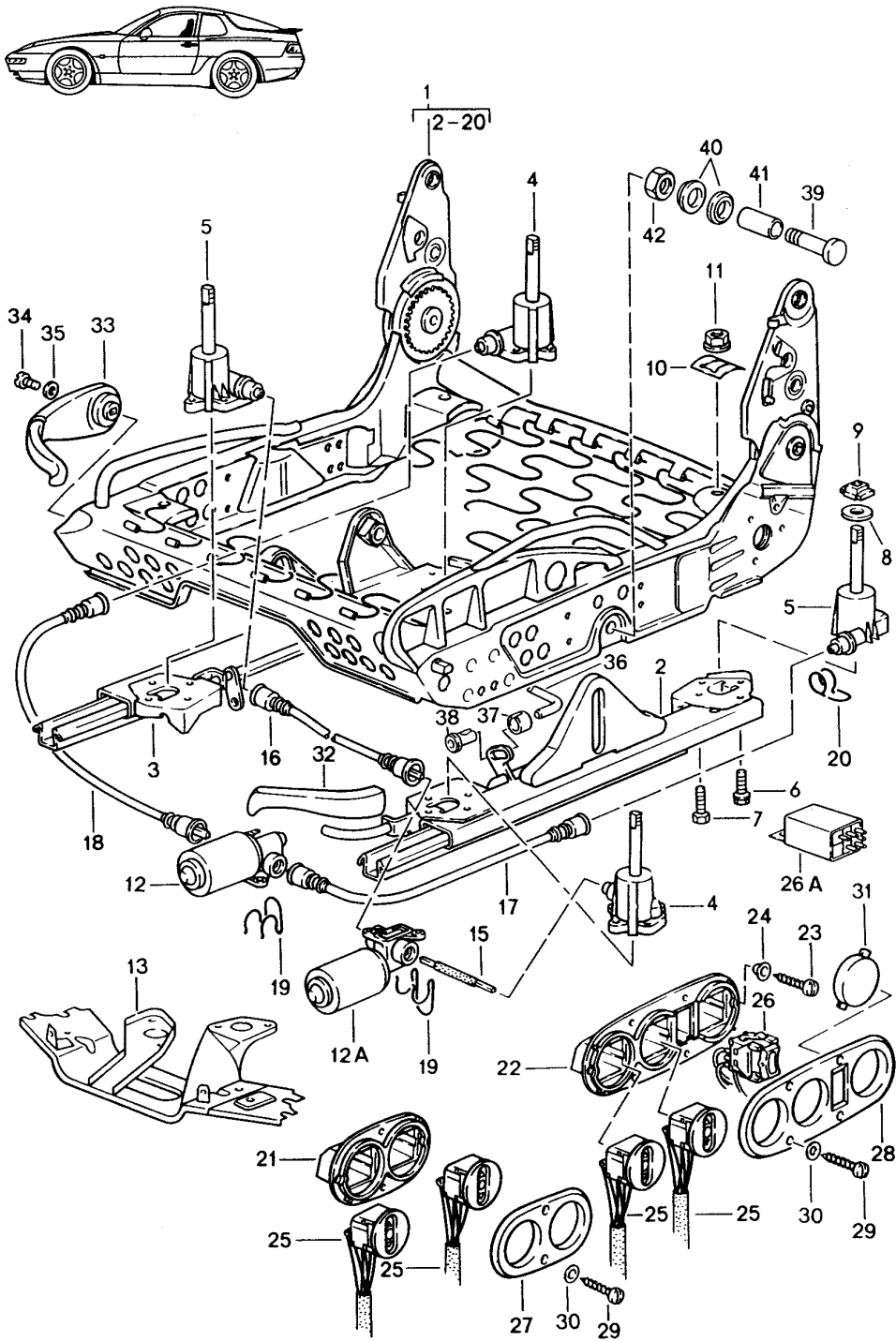
Model: STZ Model life 1985>>1998

Pos	Part Number	Description	Remark	Qty	Model
		Sports seat	92-95		968
		Backrest frame			
1	944 521 027 01	Backrest frame		2	
2	928 521 093 02	Bowden cable		2	
3	311 881 287 A	Tension spring		2	
		Actuating lever			



Model: STZ

Model life 1985>>1998



Model: STZ Model life 1985>>1998

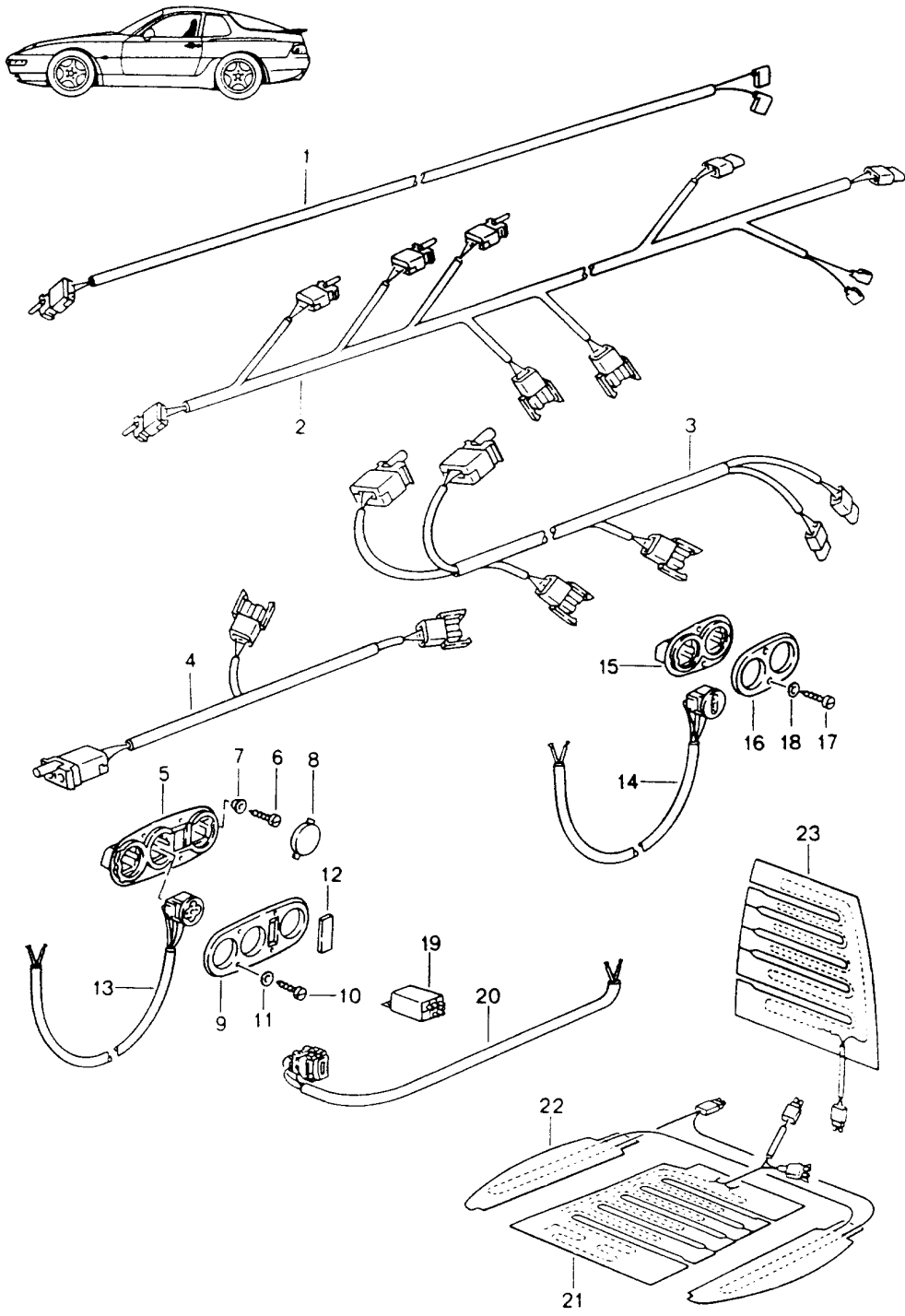
Pos	Part Number	Description	Remark	Qty	Model
		Seat frame	92-95		968
		Sports seat			M383/387
		Electrically adjustable			
1	993 521 069 02	Seat frame	/L	1	
(1)	993 521 070 02	Seat frame	/R	1	
2	928 521 489 11	Seat rail		1	
		Left seat			
		Outer			
(2)	928 521 490 11	Seat rail		1	
		Right seat			
		Outer			
(3)	964 521 491 00	Seat rail		1	
		Right seat			
		Inner			
3	964 521 492 00	Seat rail		1	
		Left seat			
		Inner			
(4)	928 521 721 03	Lifting gear		4	
		Left front, right rear			
(5)	928 521 722 03	Lifting gear		4	
		Right front, left rear			
6	999 217 033 01	Locking screw		10	
		M 6 X 16			
7	900 186 032 02	Pan-head screw		4	
		M 6 X 12			
8	999 025 129 40	Washer		8	
9	928 521 727 02	Slide		8	
10	928 521 723 02	Guide spring		8	
11	928 521 730 02	Nut		8	
12	928 624 126 01	Geared motor		2	
		Rear vertical adjustment			
12A		Geared motor		2	
		Front vertical adjustment			
13	928 521 033 02	Engine support		2	
15	928 521 671 03	Shaft	/L	2	
		Front vertical adjustment			
16	928 521 672 03	Shaft	/R	2	
		Front vertical adjustment			
17	928 521 673 05	Flexible shaft	/L	2	
		Rear vertical adjustment			
18	928 521 674 05	Flexible shaft	/R	2	
		Rear vertical adjustment			
18	928 521 674 06	Flexible shaft	/R	2	
		Rear vertical adjustment			
19	928 521 675 02	Moulded spring		4	
20	928 521 699 00	Moulded spring		6	
21	928 521 559 04	Switch insert		2	
22	928 521 559 02	Switch insert	/L	1	
		Seat heater			
(22)	928 521 560 02	Switch insert	/R	1	
		Seat heater			
23	N 013 988 1	Counters. head tapp. screw		4	
		B 3,5 X 16			
24	999 591 849 07	Washer		4	
25	928 613 181 00	Switch		4	
		Height adjustment			
		Front and rear			
26	928 613 187 04	Switch		2	
		Seat heater			
26A	928 613 187 04 01C	Satin black			
	928 618 521 03	Control unit		2	
		Seat heater			
27	928 521 561 04	Trim for switch		2	

Model: STZ Model life 1985&gt;&gt;1998

Pos	Part Number	Description	Remark	Qty	Model
28	928 521 561 04 01C 928 521 561 03	Satin black Trim for switch		2	
29	928 521 561 03 01C N 013 959 3	Seat heater Satin black Oval-head sheetmetal screw B 3,5 X 16		X	
29	900 143 016 02	Oval-head sheetmetal screw B 3,5 X 16		X	
30	900 025 013 07	Washer A 3,7		X	
31	928 613 425 00	Cover Seat heater		X	
(32)	911 521 533 01	Handle for longitudinal adjustment		2	
(33)	911 521 533 01 01C 964 521 073 00	Satin black Lever for backrest adjustment		2	
(33)	964 521 073 00 01C 964 521 073 01	Satin black Lever for backrest adjustment		2	
34	964 521 073 01 01C 900 119 011 07	Black Pan-head screw M 5 X 10		2	
35	900 031 006 07	Washer 5,3		2	
36	928 521 525 03	Connecting rod for longitudinal adjustment		2	
37	N 902 514 01	Clamping sleeve for longitudinal adjustment		4	
38	N 902 515 01	Guide bush for longitudinal adjustment		4	
39	928 521 681 02	Bolt		4	
40	928 521 683 02	Washer 1,5 PA 6		8	
41	928 521 685 02	Bush		4	
42	900 034 003 02	Hexagon nut M 10		4	

Model: STZ

Model life 1985>>1998



Model: STZ Model life 1985>>1998

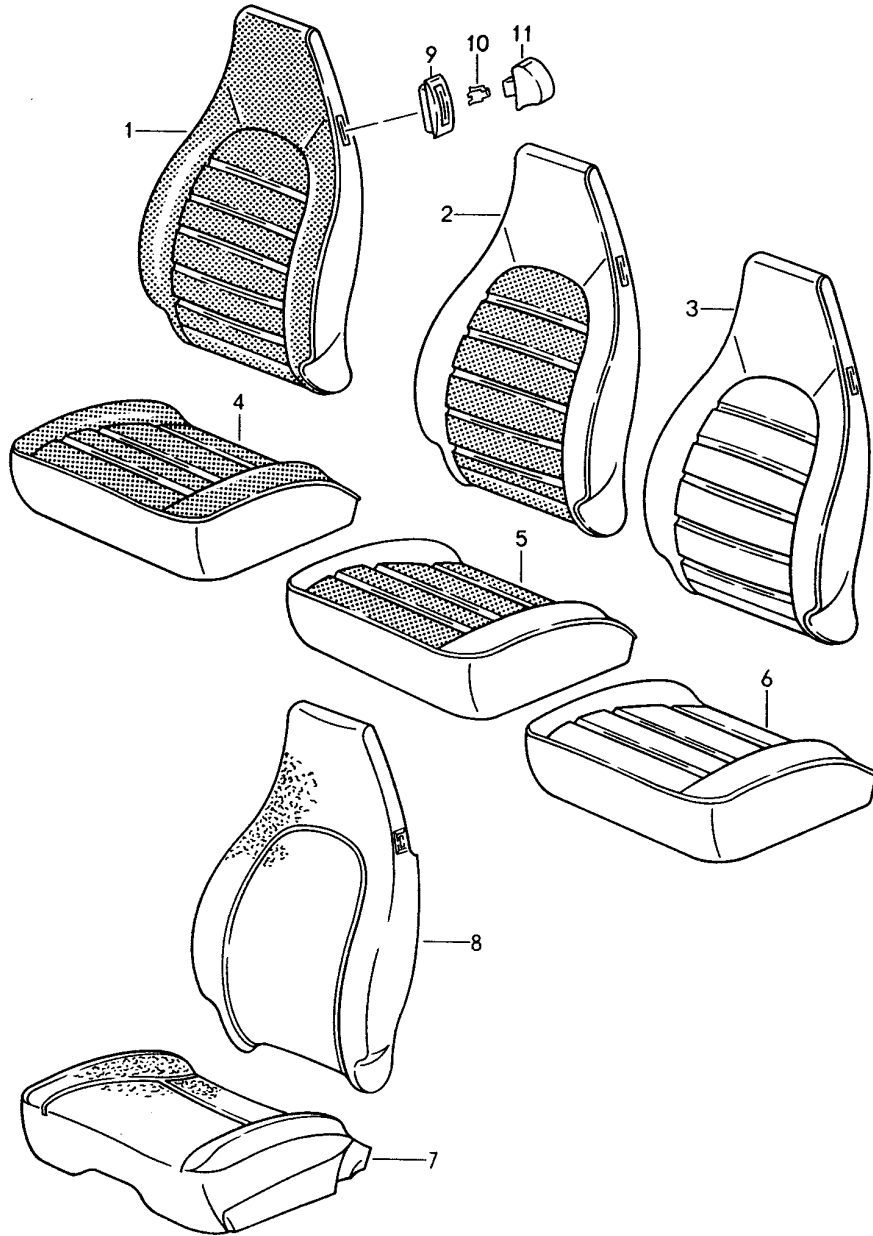
Pos	Part Number	Description	Remark	Qty	Model
		Wiring harnesses	92-95		968
		Switch			
		Seat heater			
1	928 612 343 00	Front seat		2	
		Connecting line			
		for backrest adjustment			
2	928 612 337 00	Wiring harness		2	
		for backrest adjustment			
		Lumbar support adjustment			
		And			
		Seat heater			
3	928 612 338 00	Wiring harness		2	
		for backrest adjustment			
		And			
		Seat heater			
4	928 612 340 00	Wiring harness		2	
		Seat heater			
5	928 521 559 02	Switch insert	/L	1	
		Seat heater			
		Lumbar support adjustment			
(5)	928 521 560 02	Switch insert	/R	1	
		Seat heater			
		Lumbar support adjustment			
6	N 013 988 1	Counters. head tapp. screw		2	
		B 3,5 X 16			
7	999 591 849 07	Washer		2	
8	928 613 425 00	Cover		X	
9	928 521 561 03	Trim for switch		2	
		Lumbar support adjustment			
		Seat heater			
	928 521 561 03 01C	Satin black			
10	N 013 959 3	Oval-head sheetmetal screw		4	
		B 3,5 X 16			
10	900 143 016 02	Oval-head sheetmetal screw		4	
		B 3,5 X 16			
11	900 025 013 07	Washer		4	
		A 3,7			
(12)	944 613 259 02	Cover		X	
	944 613 259 02 1DB	Satin black			
13	928 613 182 00	Switch		2	
		for longitudinal adjustment			
		Front vertical adjustment			
		Comfort seat			
(13)	928 613 183 00	Switch		2	
		for backrest adjustment			
		Rear vertical adjustment			
		Comfort seat			
(13)	928 613 184 00	Switch		2	
		Lumbar support adjustment			
	928 613 184 00 01C	Satin black			
14	928 613 181 00	Switch		2	
		Front vertical adjustment			
		Rear vertical adjustment			
15	928 521 559 04	Switch insert		2	
16	928 521 561 04	Trim for switch		2	
17	N 013 959 3	Oval-head sheetmetal screw		2	
		B 3,5 X 16			
17	900 143 016 02	Oval-head sheetmetal screw		2	
		B 3,5 X 16			
18	900 025 013 07	Washer		2	
		A 3,7			
19	928 618 521 03	Control unit		2	
		Seat heater			

**Model: STZ** **Model life 1985>>1998**

Pos	Part Number	Description	Remark	Qty	Model
20	928 613 187 04	Switch		2	
		Seat heater			
	928 613 187 04 01C	Satin black			
21	964 653 901 00	Seat heater		2	
		Centre part			
		Seat surface			
22	993 653 120 00	Seat heater		2	
		Seat side bolster			
23	964 653 902 00	Seat heater		2	
		Backrest surface			

Model: STZ

Model life 1985>>1998



Model: STZ Model life 1985>>1998

Pos	Part Number	Description	Remark	Qty	Model
		Cover	92-93		968
1	928 521 071 22	Front seat Backrest cover without heating Leatherette/ Backrest surface Multicolour		2	
	928 521 071 22 XK8	Black/black			
	928 521 071 22 XN1	Marine blue/blue			
	928 521 071 22 ASN	Magenta/Magenta			
	928 521 071 22 AQN	Light grey/light grey			
	928 521 071 22 AQV	Cobalt blue/cobalt blue			
	928 521 071 22 AQP	Classic grey/classic grey			
	928 521 071 22 XK7	Cashmere beige/cash. beige			
(1)	964 521 071 01	Backrest cover with heating Leatherette/ Backrest surface Multicolour		2	
	964 521 071 01 XK8	Black/black			
	964 521 071 01 XN1	Marine blue/marine blue			
	964 521 071 01 ASN	Magenta/Magenta			
	964 521 071 01 AQN	Light grey/light grey			
	964 521 071 01 AQV	Cobalt blue/cobalt blue			
	964 521 071 01 AQP	Classic grey/classic grey			
	964 521 071 01 XK7	Cashmere beige/cash. beige			
1	928 521 071 22	Backrest cover without heating Leatherette/ Backrest surface Porsche lettering cloth		2	
	928 521 071 22 PX2	Black/black			
	928 521 071 22 TR9	Marine blue			
	928 521 071 22 ASM	Magenta/Magenta			
	928 521 071 22 AQM	Light grey/light grey			
	928 521 071 22 ARM	Cobalt blue/cobalt blue			
	928 521 071 22 APM	Classic grey/classic grey			
	928 521 071 22 XK6	Cashmere beige/cash. beige			
(1)	964 521 071 01	Backrest cover with heating Leatherette/ Backrest surface Porsche lettering cloth		2	
	964 521 071 01 PX2	Black/black			
	964 521 071 01 TR9	Marine blue/marine blue			
	964 521 071 01 ASM	Magenta/Magenta			
	964 521 071 01 AQM	Light grey/light grey			
	964 521 071 01 ARM	Cobalt blue/cobalt blue			
	964 521 071 01 APM	Classic grey/classic grey			
	964 521 071 01 XK6	Linen/linen			
1	928 521 071 22	Backrest cover without heating	93-	2	968 CS
	928 521 071 22 CJE	Black Corduroy cloth			
2	928 521 071 21	Backrest cover without heating Leatherette/ Centre part in cloth Multicolour		2	
	928 521 071 21 XJ1	Black/black			
	928 521 071 21 XJ4	Marine blue/marine blue			
	928 521 071 21 ASC	Magenta/Magenta			
	928 521 071 21 AQC	Light grey/light grey			



Model: **STZ** Model life **1985>>1998**

Pos	Part Number	Description	Remark	Qty	Model
(2)	928 521 071 21 ARC	Cobalt blue/cobalt blue		2	
	928 521 071 21 APC	Classic grey/classic grey			
	928 521 071 21 AQW	Cashmere beige/cash. beige			
	964 521 071 00	Backrest cover with heating Leatherette/ Centre part in cloth Multicolour			
	964 521 071 00 XJ1	Black/black			
	964 521 071 00 XJ4	Marine blue/marine blue			
	964 521 071 00 ASC	Magenta/Magenta			
	964 521 071 00 AQC	Light grey/light grey			
	964 521 071 00 ARC	Cobalt blue/cobalt blue			
	964 521 071 00 APC	Classic grey/classic grey			
2	964 521 071 00 AQW	Cashmere beige/cash. beige		2	
	928 521 071 21	Backrest cover without heating Leatherette/ Centre part Porsche lettering cloth			
	928 521 071 21 PX1	Black-black			
	928 521 071 21 XJ9	Marine blue/marine blue			
	928 521 071 21 ASA	Magenta/Magenta			
	928 521 071 21 AQA	Light grey/light grey			
	928 521 071 21 ARA	Cobalt blue/cobalt blue			
	928 521 071 21 APA	Classic grey/classic grey			
	928 521 071 21 AQZ	Cashmere beige/cash. beige			
	(2)	964 521 071 00	Backrest cover with heating Leatherette/ Centre part Porsche lettering cloth		
3	964 521 071 00 PX1	Black/black		2	
	964 521 071 00 XJ9	Marine blue/marine blue			
	964 521 071 00 ASA	Magenta/Magenta			
	964 521 071 00 AQA	Light grey/light grey			
	964 521 071 00 ARA	Cobalt blue/cobalt blue			
	964 521 071 00 APA	Classic grey/classic grey			
	964 521 071 00 AQZ	Cashmere beige/cash. beige			
	928 521 071 51	Backrest cover without heating Leatherette/ Backrest surface Leather			
	928 521 071 51 JN3	Black			
	928 521 071 51 ASK	Magenta/Magenta			
(3)	928 521 071 51 AQK	Light grey/light grey		2	
	928 521 071 51 BQA	Marine blue/marine blue			
	928 521 071 51 ARK	Cobalt blue/cobalt blue			
	928 521 071 51 APK	Classic grey/classic grey			
	928 521 071 51 ATX	Cashmere beige/cash. beige			
	964 521 071 03	Backrest cover with heating Leatherette/ Backrest surface Leather			
	964 521 071 03 JN3	Black			
	964 521 071 03 ASK	Magenta/Magenta			
	964 521 071 03 AQK	Light grey/light grey			
	964 521 071 03 BQA	Marine blue/marine blue			
964 521 071 03 ARK	Cobalt blue/cobalt blue				
964 521 071 03 APK	Classic grey/classic grey				
964 521 071 03 ATX	Cashmere beige/cash. beige				

Model: STZ Model life 1985>>1998

Pos	Part Number	Description	Remark	Qty	Model
3	928 521 071 65	Backrest cover without heating Whole-leather		2	
	928 521 071 65 KZ2	Black			
	928 521 071 65 ASL	Magenta			
	928 521 071 65 AQL	Light grey			
	928 521 071 65 BQB	Marine blue			
	928 521 071 65 ARL	Cobalt blue			
	928 521 071 65 APL	Classic grey			
	928 521 071 65 ATY	Cashmere beige			
	928 521 071 65 AVF	Matador red			
	928 521 071 65 AVG	Carrara grey			
	928 521 071 65 AVH	Sherwood green			
(3)	964 521 071 04	Backrest cover with heating Whole-leather		2	
	964 521 071 04 KZ2	Black			
	964 521 071 04 ASL	Magenta			
	964 521 071 04 AQL	Light grey			
	964 521 071 04 BQB	Marine blue			
	964 521 071 04 ARL	Cobalt blue			
	964 521 071 04 APL	Classic grey			
	964 521 071 04 ATY	Cashmere beige			
	964 521 071 04 AVF	Matador red			
	964 521 071 04 AVG	Carrara grey			
	964 521 071 04 AVH	Sherwood green			
4	944 521 037 11	Cover for cushion Manually adjustable without heating Leatherette/ Seat surface Multicolour		2	
	944 521 037 11 XK8	Black/black			
	944 521 037 11 XN1	Marine blue/blue			
	944 521 037 11 ASN	Magenta/Magenta			
	944 521 037 11 AQN	Light grey/light grey			
	944 521 037 11 AQV	Cobalt blue/cobalt blue			
	944 521 037 11 AQP	Classic grey/classic grey			
	944 521 037 11 XK7	Cashmere beige/cash. beige			
(4)	944 521 037 14	Cover for cushion for electric adjustment without heating Leatherette/ Seat surface Multicolour		2	
	944 521 037 14 XK8	Black/black			
	944 521 037 14 XN1	Marine blue/blue			
	944 521 037 14 ASN	Magenta/Magenta			
	944 521 037 14 AQN	Light grey/light grey			
	944 521 037 14 AQV	Cobalt blue/cobalt blue			
	944 521 037 14 AQP	Classic grey/classic grey			
	944 521 037 14 XK7	Cashmere beige/cash. beige			
(4)	964 521 037 01	Cover for cushion for electric adjustment with heating Leatherette/ Seat surface Multicolour		2	
	964 521 037 01 XK8	Black/black			
	964 521 037 01 XN1	Marine blue/marine blue			
	964 521 037 01 ASN	Magenta/Magenta			
	964 521 037 01 AQN	Light grey/light grey			
	964 521 037 01 AQV	Cobalt blue/cobalt blue			

Model: STZ Model life 1985>>1998

Pos	Part Number	Description	Remark	Qty	Model
4	964 521 037 01 AQP	Classic grey/classic grey		2	
	964 521 037 01 XK7	Cashmere beige/cash. beige			
	944 521 037 11	Cover for cushion Manually adjustable without heating Leatherette/ Seat surface Porsche lettering cloth			
	944 521 037 11 PX2	Black/black			
	944 521 037 11 TR9	Marine blue			
	944 521 037 11 ASM	Magenta/Magenta			
	944 521 037 11 AQM	Light grey/light grey			
	944 521 037 11 ARM	Cobalt blue/cobalt blue			
	944 521 037 11 APM	Classic grey/classic grey			
	944 521 037 11 XK6	Cashmere beige/cash. beige			
(4)	944 521 037 14	Cover for cushion for electric adjustment without heating Leatherette/ Seat surface Porsche lettering cloth		2	
	944 521 037 14 PX2	Black/black			
	944 521 037 14 TR9	Marine blue			
	944 521 037 14 ASM	Magenta/Magenta			
	944 521 037 14 AQM	Light grey/light grey			
	944 521 037 14 ARM	Cobalt blue/cobalt blue			
	944 521 037 14 APM	Classic grey/classic grey			
	944 521 037 14 XK6	Cashmere beige/cash. beige			
(4)	964 521 037 01	Cover for cushion for electric adjustment with heating Leatherette/ Seat surface Porsche lettering cloth		2	
	964 521 037 01 PX2	Black/black			
	964 521 037 01 TR9	Marine blue/blue			
	964 521 037 01 ASM	Magenta/Magenta			
	964 521 037 01 AQM	Light grey/light grey			
	964 521 037 01 ARM	Cobalt blue/cobalt blue			
	964 521 037 01 APM	Classic grey/classic grey			
	964 521 037 01 XK6	Cashmere beige/cash. beige			
4	944 521 037 11	Cover for cushion without heating	93-	2	968 CS
	944 521 037 11 CJE	Black Corduroy cloth			
5	944 521 037 10	Cover for cushion Manually adjustable without heating Leatherette/ Centre part in cloth Multicolour		2	
	944 521 037 10 XJ1	Black/black			
	944 521 037 10 XJ4	Marine blue/marine blue			
	944 521 037 10 ASC	Magenta/Magenta			
	944 521 037 10 AQC	Light grey/light grey			
	944 521 037 10 ARC	Cobalt blue/cobalt blue			
	944 521 037 10 APC	Classic grey/classic grey			
	944 521 037 10 AQW	Cashmere beige/cash. beige			
(5)	944 521 037 13	Cover for cushion for electric adjustment without heating Leatherette/ Centre part in cloth		2	

Model: STZ Model life 1985>>1998

Pos	Part Number	Description	Remark	Qty	Model
		Multicolour			
	944 521 037 13 XJ1	Black/black			
	944 521 037 13 XJ4	Marine blue/marine blue			
	944 521 037 13 ASC	Magenta/Magenta			
	944 521 037 13 AQC	Light grey/light grey			
	944 521 037 13 ARC	Cobalt blue/cobalt blue			
	944 521 037 13 APC	Classic grey/classic grey			
	944 521 037 13 AQW	Cashmere beige/cash. beige			
(5)	964 521 037 00	Cover for cushion for electric adjustment with heating Leatherette/ Centre part in cloth Multicolour		2	
	964 521 037 00 XJ1	Black/black			
	964 521 037 00 XJ4	Marine blue/marine blue			
	964 521 037 00 ASC	Magenta/Magenta			
	964 521 037 00 AQC	Light grey/light grey			
	964 521 037 00 ARC	Cobalt blue/cobalt blue			
	964 521 037 00 APC	Classic grey/classic grey			
	964 521 037 00 AQW	Cashmere beige/cash. beige			
5	944 521 037 10	Cover for cushion Manually adjustable without heating Leatherette/ Centre part Porsche lettering cloth		2	
	944 521 037 10 PX1	Black/black			
	944 521 037 10 XJ9	Marine blue/marine blue			
	944 521 037 10 ASA	Magenta/Magenta			
	944 521 037 10 AQA	Light grey/light grey			
	944 521 037 10 ARA	Cobalt blue/cobalt blue			
	944 521 037 10 APA	Classic grey/classic grey			
	944 521 037 10 AQZ	Cashmere beige/cash. beige			
(5)	944 521 037 13	Cover for cushion for electric adjustment without heating Leatherette/ Centre part Porsche lettering cloth		2	
	944 521 037 13 PX1	Black/black			
	944 521 037 13 XJ9	Marine blue/marine blue			
	944 521 037 13 ASA	Magenta/Magenta			
	944 521 037 13 AQA	Light grey/light grey			
	944 521 037 13 ARA	Cobalt blue/cobalt blue			
	944 521 037 13 APA	Classic grey/classic grey			
	944 521 037 13 AQZ	Cashmere beige/cash. beige			
(5)	964 521 037 00	Cover for cushion for electric adjustment with heating Leatherette/ Centre part Porsche lettering cloth		2	
	964 521 037 00 PX1	Black/black			
	964 521 037 00 XJ9	Marine blue/blue			
	964 521 037 00 ASA	Magenta/Magenta			
	964 521 037 00 AQA	Light grey/light grey			
	964 521 037 00 ARA	Cobalt blue/cobalt blue			
	964 521 037 00 APA	Classic grey/classic grey			
	964 521 037 00 AQZ	Cashmere beige/cash. beige			
6	944 521 037 76	Cover for cushion Manually adjustable without heating		2	

Model: STZ Model life 1985>>1998

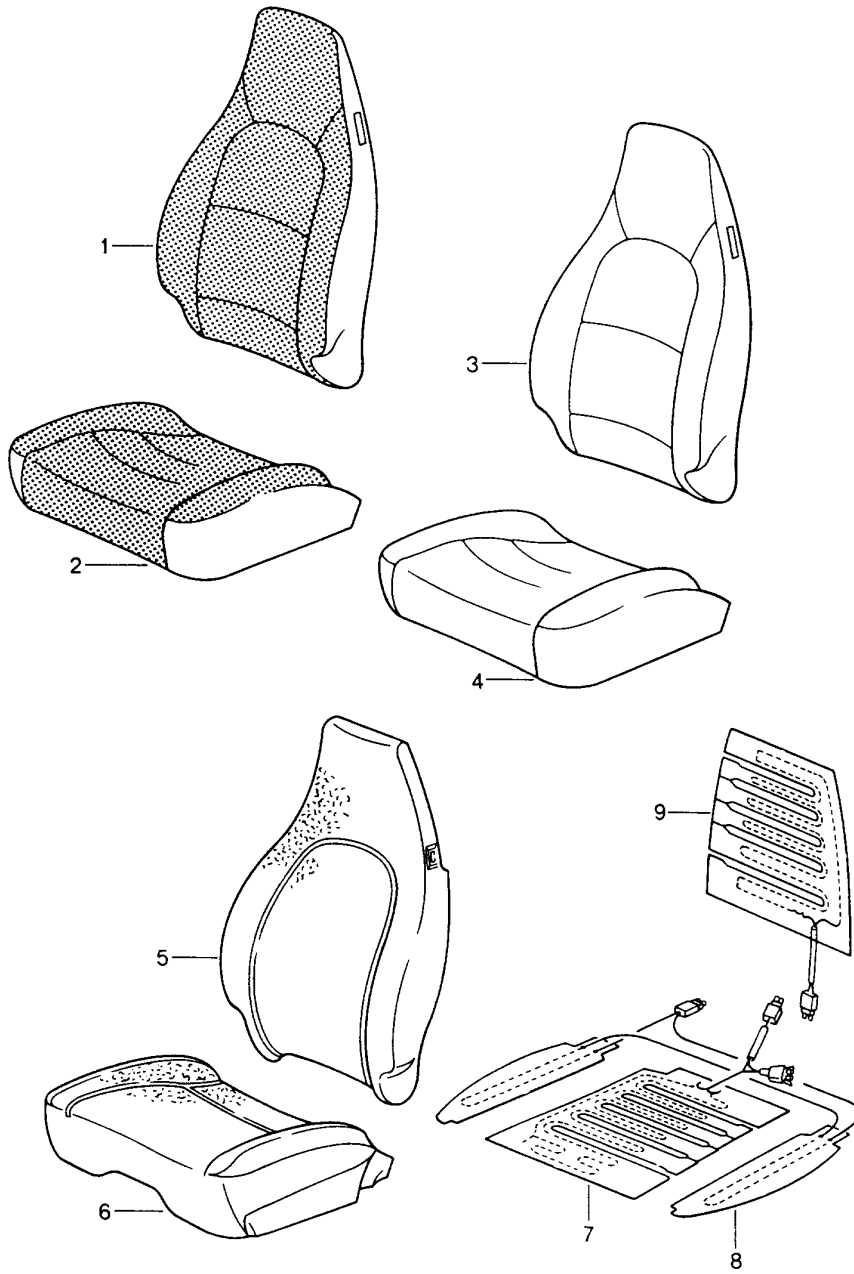
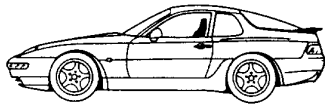
Pos	Part Number	Description	Remark	Qty	Model
		Leatherette/ Seat surface Leather			
	944 521 037 76 JN3	Black/black			
	944 521 037 76 ASK	Magenta/Magenta			
	944 521 037 76 AOK	Light grey/light grey			
	944 521 037 76 BQA	Marine blue/marine blue			
	944 521 037 76 ARK	Cobalt blue/cobalt blue			
	944 521 037 76 APK	Classic grey/classic grey			
	944 521 037 76 ATX	Cashmere beige/cash. beige			
(6)	944 521 037 80	Cover for cushion for electric adjustment without heating Leatherette/ Seat surface Leather		2	
	944 521 037 80 JN3	Black/black			
	944 521 037 80 ASK	Magenta/Magenta			
	944 521 037 80 AOK	Light grey/light grey			
	944 521 037 80 BQA	Marine blue/marine blue			
	944 521 037 80 ARK	Cobalt blue/cobalt blue			
	944 521 037 80 APK	Classic grey/classic grey			
	944 521 037 80 ATX	Cashmere beige/cash. beige			
(6)	964 521 037 03	Cover for cushion for electric adjustment with heating Leatherette/ Seat surface Leather		2	
	964 521 037 03 JN3	Black/black			
	964 521 037 03 ASK	Magenta/Magenta			
	964 521 037 03 AOK	Light grey/light grey			
	964 521 037 03 BQA	Marine blue/marine blue			
	964 521 037 03 ARK	Cobalt blue/cobalt blue			
	964 521 037 03 APK	Classic grey/classic grey			
	964 521 037 03 ATX	Cashmere beige/cash. beige			
6	944 521 037 77	Cover for cushion Manually adjustable Whole-leather		2	
	944 521 037 77 KZ2	Black			
	944 521 037 77 ASL	Magenta			
	944 521 037 77 AQL	Light grey			
	944 521 037 77 BQB	Marine blue			
	944 521 037 77 ARL	Cobalt blue			
	944 521 037 77 APL	Classic grey			
	944 521 037 77 ATY	Cashmere beige			
	944 521 037 77 AVF	Matador red			
	944 521 037 77 AVG	Carrara grey			
	944 521 037 77 AVH	Sherwood green			
(6)	944 521 037 81	Cover for cushion for electric adjustment without heating Whole-leather		2	
	944 521 037 81 KZ2	Black			
	944 521 037 81 ASL	Magenta			
	944 521 037 81 AQL	Light grey			
	944 521 037 81 BQB	Marine blue			
	944 521 037 81 ARL	Cobalt blue			
	944 521 037 81 APL	Classic grey			
	944 521 037 81 ATY	Cashmere beige			
	944 521 037 81 AVF	Matador red			
	944 521 037 81 AVG	Carrara grey			
	944 521 037 81 AVH	Sherwood green			

Model: STZ Model life 1985>>1998

Pos	Part Number	Description	Remark	Qty	Model
(6)	964 521 037 04	Cover for cushion for electric adjustment with heating Whole-leather		2	
	964 521 037 04 KZ2	Black			
	964 521 037 04 ASL	Magenta			
	964 521 037 04 AQL	Light grey			
	964 521 037 04 BQB	Marine blue			
	964 521 037 04 ARL	Cobalt blue			
	964 521 037 04 APL	Classic grey			
	964 521 037 04 ATY	Cashmere beige			
	964 521 037 04 AVF	Matador red			
	964 521 037 04 AVG	Carrara grey			
	964 521 037 04 AVH	Sherwood green			
-	000 043 071 00	Clamp Mount Cover Bag Content 50 Pieces		X	
7	928 521 385 22	Foam part Seat cushion Standard seat		2	
(7)	928 521 385 23	Foam part Seat cushion Electrically adjustable without heating	/L	1	
7	928 521 386 23	Foam part Seat cushion Electrically adjustable without heating	/R	1	
(7)	928 521 385 24	Foam part Seat cushion Electrically adjustable with heating	/L	1	
(7)	928 521 386 24	Foam part Seat cushion Electrically adjustable with heating	/R	1	
8	928 521 393 13	Foam part Backrest frame Standard seat		2	
(8)	993 521 393 06	Foam part Backrest frame Comfort seat See technical information 6 ZYL. GR.7D NR.1/94		2	
(8)		Foam part Backrest frame Comfort seat See technical information 6 ZYL. GR.7D NR.1/94		2	
(8)	928 521 393 19	Foam part Backrest frame for Lumbar support		2	
9	911 521 815 00	Rosette		4	
	911 521 815 00 01C	Satin black			
10	311 881 247	Clip		4	
11	911 521 817 00	Control button		4	
	911 521 817 00 01C	Satin black			

Model: STZ

Model life 1985>>1998



Model: STZ Model life 1985>>1998

Pos	Part Number	Description	Remark	Qty	Model
		Cover	94-95		968
1	993 521 123 08	Front seat Backrest cover without heating Leatherette/ Backrest surface Porsche lettering cloth		2	
	993 521 123 08 PX2	Black/black			
	993 521 123 08 APM	Classic grey/classic grey			
	993 521 123 08 DBA	Midnight bl./midnight blue			
	993 521 123 08 DCA	Chestnut brown Chestnut brown			
	993 521 123 08 DDA	Marble grey/marble grey			
	993 521 123 08 XK6	Cashmere beige/cash. beige			
(1)	993 521 123 12	Backrest cover with heating Leatherette/ Backrest surface Porsche lettering cloth		2	
	993 521 123 12 PX2	Black/black			
	993 521 123 12 APM	Classic grey/classic grey			
	993 521 123 12 DBA	Midnight bl./midnight blue			
	993 521 123 12 DCA	Chestnut brown Chestnut brown			
	993 521 123 12 DDA	Marble grey/marble grey			
	993 521 123 12 XK6	Cashmere beige/cash. beige			
2	993 521 133 08	Cover for cushion without heating Leatherette/ Seat surface Porsche lettering cloth		2	
	993 521 133 08 PX2	Black/black			
	993 521 133 08 APM	Classic grey/classic grey			
	993 521 133 08 DBA	Midnight bl./midnight blue			
	993 521 133 08 DCA	Chestnut brown/ Chestnut brown			
	993 521 133 08 DDA	Marble grey/marble grey			
	993 521 133 08 XK6	Cashmere beige/cash. beige			
(2)	993 521 133 12	Cover for cushion with heating Leatherette/ Seat surface Porsche lettering cloth		2	
	993 521 133 12 PX2	Black/black			
	993 521 133 12 APM	Classic grey/classic grey			
	993 521 133 12 DBA	Midnight bl./midnight blue			
	993 521 133 12 DCA	Chestnut brown/ Chestnut brown			
	993 521 133 12 DDA	Marble grey/marble grey			
	993 521 133 12 XK6	Cashmere beige/cash. beige			
3	993 521 123 09	Backrest cover without heating Leatherette/ Backrest surface Leather		2	
	993 521 123 09 ATG	Black/black			
	993 521 123 09 APK	Classic grey/classic grey			
	993 521 123 09 DBC	Midnight bl./midnight blue			
	993 521 123 09 DCC	Chestnut brown Chestnut brown			
	993 521 123 09 DDC	Marble grey/marble grey			
	993 521 123 09 ATX	Cashmere beige/cash. beige			
(3)	993 521 123 13	Backrest cover		2	



Model: STZ Model life 1985>>1998

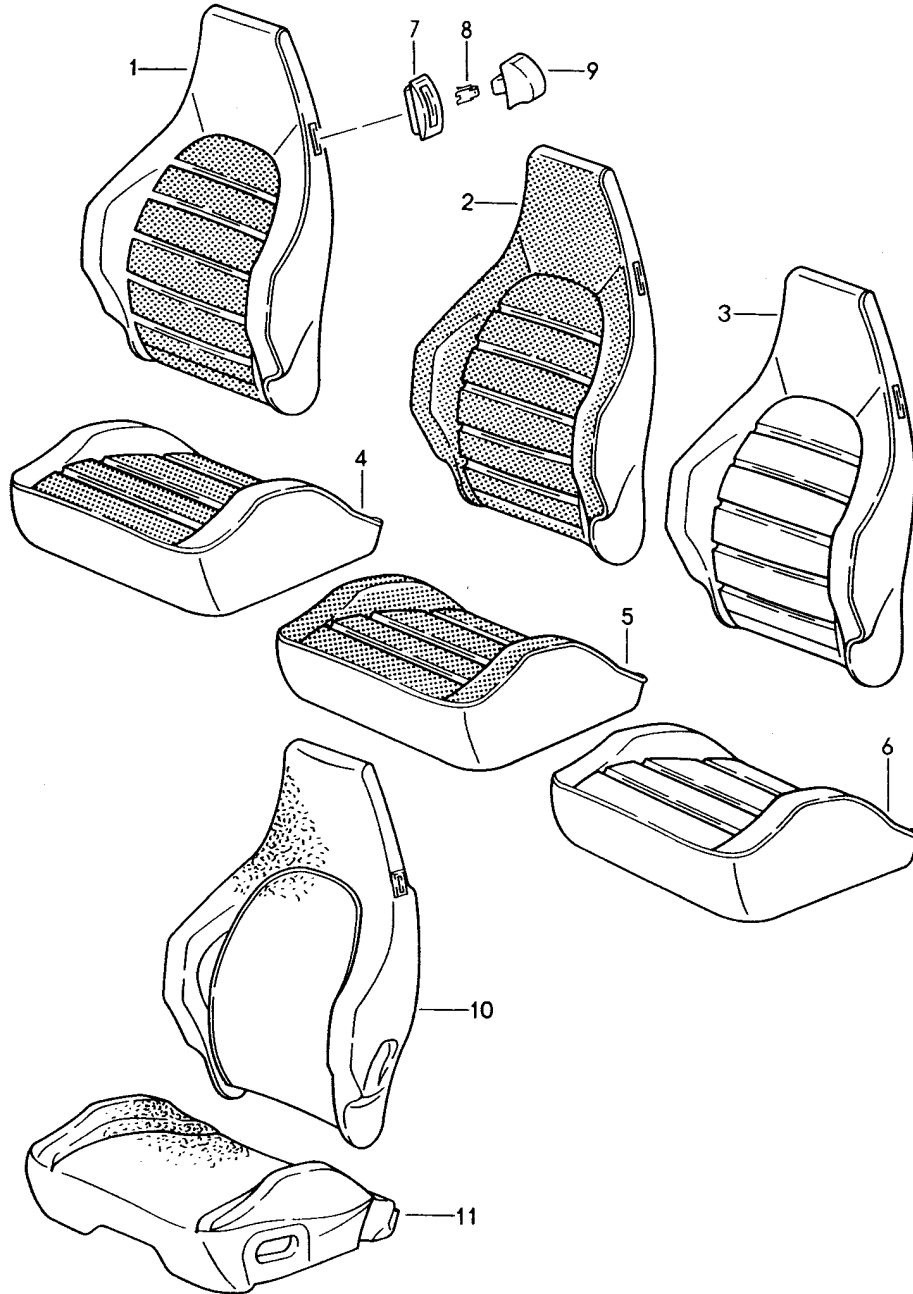
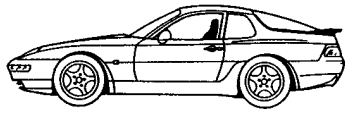
Pos	Part Number	Description	Remark	Qty	Model
		with heating Leatherette/ Backrest surface Leather			
	993 521 123 13 ATG	Black/black			
	993 521 123 13 APK	Classic grey/classic grey			
	993 521 123 13 DBC	Midnight bl./midnight blue			
	993 521 123 13 DCC	Chestnut brown Chestnut brown			
	993 521 123 13 DDC	Marble grey/marble grey			
	993 521 123 13 ATX	Cashmere beige/cash. beige			
3	993 521 123 10	Backrest cover without heating Whole-leather		2	
	993 521 123 10 ATH	Black			
	993 521 123 10 APL	Classic grey			
	993 521 123 10 DBD	Midnight blue			
	993 521 123 10 DCD	Chestnut brown			
	993 521 123 10 DDD	Marble grey			
	993 521 123 10 ATY	Cashmere beige			
	993 521 123 10 DEC	Provence blue			
	993 521 123 10 DEE	Cedar green			
	993 521 123 10 DEF	Flamenco red			
(3)	993 521 123 14	Backrest cover with heating Whole-leather		2	
	993 521 123 14 ATH	Black			
	993 521 123 14 APL	Classic grey			
	993 521 123 14 DBD	Midnight blue			
	993 521 123 14 DCD	Chestnut brown			
	993 521 123 14 DDD	Marble grey			
	993 521 123 14 ATY	Cashmere beige			
	993 521 123 14 DEC	Provence blue			
	993 521 123 14 DEE	Cedar green			
	993 521 123 14 DEF	Flamenco red			
4	993 521 133 09	Cover for cushion without heating Leatherette/ Seat surface Leather		2	
	993 521 133 09 ATG	Black/black			
	993 521 133 09 APK	Classic grey/classic grey			
	993 521 133 09 DBC	Midnight bl./midnight blue			
	993 521 133 09 DCC	Chestnut brown/ Chestnut brown			
	993 521 133 09 DDC	Marble grey/marble grey			
	993 521 133 09 ATX	Cashmere beige/cash. beige			
(4)	993 521 133 13	Cover for cushion with heating Leatherette/ Seat surface Leather		2	
	993 521 133 13 ATG	Black/black			
	993 521 133 13 APK	Classic grey/classic grey			
	993 521 133 13 DBC	Midnight bl./midnight blue			
	993 521 133 13 DCC	Chestnut brown/ Chestnut brown			
	993 521 133 13 DDC	Marble grey/marble grey			
	993 521 133 13 ATX	Cashmere beige/cash. beige			
4	993 521 133 10	Cover for cushion without heating Whole-leather		2	
	993 521 133 10 ATH	Black			

Model: STZ Model life 1985>>1998

Pos	Part Number	Description	Remark	Qty	Model
	993 521 133 10 APL	Classic grey			
	993 521 133 10 DBD	Midnight blue			
	993 521 133 10 DCD	Chestnut brown			
	993 521 133 10 DDD	Marble grey			
	993 521 133 10 ATY	Cashmere beige			
	993 521 133 10 DEC	Provence blue			
	993 521 133 10 DEE	Cedar green			
	993 521 133 10 DEF	Flamenco red			
(4)	993 521 133 14	Cover for cushion with heating Whole-leather		2	
	993 521 133 14 ATH	Black			
	993 521 133 14 APL	Classic grey			
	993 521 133 14 DBD	Midnight blue			
	993 521 133 14 DCD	Chestnut brown			
	993 521 133 14 DDD	Marble grey			
	993 521 133 14 ATY	Cashmere beige			
	993 521 133 14 DEC	Provence blue			
	993 521 133 14 DEE	Cedar green			
	993 521 133 14 DEF	Flamenco red			
-	000 043 071 00	Clamp Mount Cover Bag Content 50 Pieces		X	
5	993 521 393 06	Foam part Backrest frame Comfort seat		1	
(5)	993 521 393 07	Foam part Backrest frame Comfort seat with Lumbar support		1	
6	993 521 385 06	Foam part Seat cushion	/L	1	
(6)	993 521 386 06	Foam part Seat cushion	/R	1	
(6)	993 521 385 07	Foam part Seat cushion	/L	1	
(6)	993 521 386 07	Foam part Seat cushion	/R	1	
7	993 653 901 00	Seat heater Seat surface		2	
8	993 653 120 00	Seat heater Seat side bolster		2	
9	993 653 902 00	Seat heater Backrest surface		2	

Model: STZ

Model life 1985>>1998



Model: STZ Model life 1985>>1998

Pos	Part Number	Description	Remark	Qty	Model
		Cover	92-93		968
1	944 521 071 04	Sports seat Backrest cover without heating Leatherette/ Centre part in cloth Multicolour		2	
	944 521 071 04 XJ1	Black/black			
	944 521 071 04 XJ4	Marine blue/marine blue			
	944 521 071 04 ASC	Magenta/Magenta			
	944 521 071 04 AQC	Light grey/light grey			
	944 521 071 04 ARC	Cobalt blue/cobalt blue			
	944 521 071 04 APC	Classic grey/classic grey			
	944 521 071 04 AQW	Cashmere beige/cash. beige			
(1)	964 521 071 07	Backrest cover with heating Leatherette/ Centre part in cloth Multicolour		2	
	964 521 071 07 XJ1	Black/black			
	964 521 071 07 XJ4	Marine blue/marine blue			
	964 521 071 07 ASC	Magenta/Magenta			
	964 521 071 07 AQC	Light grey/light grey			
	964 521 071 07 ARC	Cobalt blue/cobalt blue			
	964 521 071 07 APC	Classic grey/classic grey			
	964 521 071 07 AQW	Cashmere beige/cash. beige			
1	944 521 071 04	Backrest cover without heating Leatherette/ Centre part Porsche lettering cloth		2	
	944 521 071 04 PX1	Black/black			
	944 521 071 04 XJ9	Marine blue/marine blue			
	944 521 071 04 ASA	Magenta/Magenta			
	944 521 071 04 AQA	Light grey/light grey			
	944 521 071 04 ARA	Cobalt blue/cobalt blue			
	944 521 071 04 APA	Classic grey/classic grey			
	944 521 071 04 AQZ	Cashmere beige/cash. beige			
(1)	964 521 071 07	Backrest cover with heating Leatherette/ Centre part Porsche lettering cloth		2	
	964 521 071 07 PX1	Black/black			
	964 521 071 07 XJ9	Marine blue/marine blue			
	964 521 071 07 ASA	Magenta/Magenta			
	964 521 071 07 AQA	Light grey/light grey			
	964 521 071 07 ARA	Cobalt blue/cobalt blue			
	964 521 071 07 APA	Classic grey/classic grey			
	964 521 071 07 AQZ	Cashmere beige/cash. beige			
2	944 521 071 05	Backrest cover without heating Leatherette/ Backrest surface Multicolour		2	
	944 521 071 05 XK8	Black/black			
	944 521 071 05 XN1	Marine blue/blue			
	944 521 071 05 ASN	Magenta/Magenta			
	944 521 071 05 AQN	Light grey/light grey			
	944 521 071 05 AQV	Cobalt blue/cobalt blue			
	944 521 071 05 AQP	Classic grey/classic grey			
	944 521 071 05 XK7	Cashmere beige/cash. beige			
(2)	964 521 071 08	Backrest cover		2	

Model: STZ Model life 1985>>1998

Pos	Part Number	Description	Remark	Qty	Model
		with heating Leatherette/ Backrest surface Multicolour			
	964 521 071 08 XK8	Black/black			
	964 521 071 08 XN1	Marine blue/blue			
	964 521 071 08 ASN	Magenta/Magenta			
	964 521 071 08 AQN	Light grey/light grey			
	964 521 071 08 AQV	Cobalt blue/cobalt blue			
	964 521 071 08 AQP	Classic grey/classic grey			
	964 521 071 08 XK7	Cashmere beige/cash. beige			
2	944 521 071 05	Backrest cover without heating Leatherette/ Backrest surface Porsche lettering cloth		2	
	944 521 071 05 PX2	Black/black			
	944 521 071 05 TR9	Marine blue			
	944 521 071 05 ASM	Magenta/Magenta			
	944 521 071 05 AQM	Light grey/light grey			
	944 521 071 05 ARM	Cobalt blue/cobalt blue			
	944 521 071 05 APM	Classic grey/classic grey			
	944 521 071 05 XK6	Cashmere beige/cash. beige			
(2)	964 521 071 08	Backrest cover with heating Leatherette/ Backrest surface Porsche lettering cloth		2	
	964 521 071 08 PX2	Black/black			
	964 521 071 08 TR9	Marine blue/blue			
	964 521 071 08 ASM	Magenta/Magenta			
	964 521 071 08 AQM	Light grey/light grey			
	964 521 071 08 ARM	Cobalt blue/cobalt blue			
	964 521 071 08 APM	Classic grey/classic grey			
	964 521 071 08 XK6	Cashmere beige/cash. beige			
3	944 521 071 61	Backrest cover without heating Leatherette/ Backrest surface Leather		2	
	944 521 071 61 JN3	Black			
	944 521 071 61 ASK	Magenta/Magenta			
	944 521 071 61 AQK	Light grey/light grey			
	944 521 071 61 BQA	Marine blue/marine blue			
	944 521 071 61 ARK	Cobalt blue/cobalt blue			
	944 521 071 61 APK	Classic grey/classic grey			
	944 521 071 61 ATX	Cashmere beige/cash. beige			
(3)	964 521 071 10	Backrest cover with heating Leatherette/ Backrest surface Leather		2	
	964 521 071 10 JN3	Black			
	964 521 071 10 ASK	Magenta/Magenta			
	964 521 071 10 AQK	Light grey/light grey			
	964 521 071 10 BQA	Marine blue/marine blue			
	964 521 071 10 ARK	Cobalt blue/cobalt blue			
	964 521 071 10 APK	Classic grey/classic grey			
	964 521 071 10 ATX	Cashmere beige/cash. beige			
3	944 521 071 62	Backrest cover without heating Whole-leather		2	
	944 521 071 62 KZ2	Black			

Model: STZ Model life 1985>>1998

Pos	Part Number	Description	Remark	Qty	Model
	944 521 071 62 ASL	Magenta			
	944 521 071 62 AQL	Light grey			
	944 521 071 62 BQB	Marine blue			
	944 521 071 62 ARL	Cobalt blue			
	944 521 071 62 APL	Classic grey			
	944 521 071 62 ATY	Cashmere beige			
	944 521 071 62 AVF	Matador red			
	944 521 071 62 AVG	Carrara grey			
	944 521 071 62 AVH	Sherwood green			
(3)	964 521 071 11	Backrest cover with heating Whole-leather		2	
	964 521 071 11 KZ2	Black			
	964 521 071 11 ASL	Magenta			
	964 521 071 11 AQL	Light grey			
	964 521 071 11 BQB	Marine blue			
	964 521 071 11 ARL	Cobalt blue			
	964 521 071 11 APL	Classic grey			
	964 521 071 11 ATY	Cashmere beige			
	964 521 071 11 AVF	Matador red			
	964 521 071 11 AVG	Carrara grey			
	964 521 071 11 AVH	Sherwood green			
4	944 521 037 15	Cover for cushion without heating Leatherette/ Centre part in cloth Multicolour		2	
	944 521 037 15 XJ1	Black/black			
	944 521 037 15 XJ4	Marine blue/marine blue			
	944 521 037 15 ASC	Magenta/Magenta			
	944 521 037 15 AQC	Light grey/light grey			
	944 521 037 15 ARC	Cobalt blue/cobalt blue			
	944 521 037 15 APC	Classic grey/classic grey			
	944 521 037 15 AQW	Cashmere beige/cash. beige			
(4)	964 521 037 07	Seat cover with heating Leatherette/ Centre part in cloth Multicolour		2	
	964 521 037 07 XJ1	Black/black			
	964 521 037 07 XJ4	Marine blue/marine blue			
	964 521 037 07 ASC	Magenta/Magenta			
	964 521 037 07 AQC	Light grey/light grey			
	964 521 037 07 ARC	Cobalt blue/cobalt blue			
	964 521 037 07 APC	Classic grey/classic grey			
	964 521 037 07 AQW	Cashmere beige/cash. beige			
4	944 521 037 15	Cover for cushion without heating Leatherette/ Centre part Porsche lettering cloth		2	
	944 521 037 15 PX1	Black/black			
	944 521 037 15 XJ9	Marine blue/marine blue			
	944 521 037 15 ASA	Magenta/Magenta			
	944 521 037 15 AQA	Light grey/light grey			
	944 521 037 15 ARA	Cobalt blue/cobalt blue			
	944 521 037 15 APA	Classic grey/classic grey			
	944 521 037 15 AQZ	Cashmere beige/cash. beige			
(4)	964 521 037 07	Seat cover with heating Leatherette/ Centre part Porsche lettering cloth		2	

Model: STZ Model life 1985>>1998

Pos	Part Number	Description	Remark	Qty	Model
5	964 521 037 07 PX1	Black/black		2	
	964 521 037 07 XJ9	Marine blue/marine blue			
	964 521 037 07 ASA	Magenta/Magenta			
	964 521 037 07 AQA	Light grey/light grey			
	964 521 037 07 ARA	Cobalt blue/cobalt blue			
	964 521 037 07 APA	Classic grey/classic grey			
	964 521 037 07 AQZ	Cashmere beige/cash. beige			
	944 521 037 16	Cover for cushion without heating Leatherette/ Seat surface Multicolour			
	944 521 037 16 XK8	Black/black			
	944 521 037 16 XN1	Marine blue/blue			
	944 521 037 16 ASN	Magenta/Magenta			
	944 521 037 16 AQN	Light grey/light grey			
	944 521 037 16 AQV	Cobalt blue/cobalt blue			
	944 521 037 16 AQP	Classic grey/classic grey			
(5) 964 521 037 16 XK7	Cashmere beige/cash. beige				
5	964 521 037 08	Cover for cushion with heating Leatherette/ Seat surface Multicolour		2	
	964 521 037 08 XK8	Black/black			
	964 521 037 08 XN1	Marine blue/marine blue			
	964 521 037 08 ASN	Magenta/Magenta			
	964 521 037 08 AQN	Light grey/light grey			
	964 521 037 08 AQV	Cobalt blue/cobalt blue			
	964 521 037 08 AQP	Classic grey/classic grey			
	964 521 037 08 XK7	Cashmere beige/cash. beige			
	944 521 037 16	Cover for cushion without heating Leatherette/ Seat surface Porsche lettering cloth			
	944 521 037 16 PX2	Black/black			
	944 521 037 16 TR9	Marine blue			
	944 521 037 16 ASM	Magenta/Magenta			
	944 521 037 16 AQM	Light grey/light grey			
	944 521 037 16 ARM	Cobalt blue/cobalt blue			
944 521 037 16 APM	Classic grey/classic grey				
944 521 037 16 XK6	Cashmere beige/cash. beige				
(5) 964 521 037 08	Cover for cushion with heating Leatherette/ Seat surface Porsche lettering cloth				
6	964 521 037 08 PX2	Black/black		2	
	964 521 037 08 TR9	Marine blue/blue			
	964 521 037 08 ASM	Magenta/Magenta			
	964 521 037 08 AQM	Light grey/light grey			
	964 521 037 08 ARM	Cobalt blue/cobalt blue			
	964 521 037 08 APM	Classic grey/classic grey			
	964 521 037 08 XK6	Cashmere beige/cash. beige			
	944 521 037 84	Cover for cushion without heating Leatherette/ Seat surface Leather			
	944 521 037 84 JN3	Black/black			
	944 521 037 84 ASK	Magenta/Magenta			
944 521 037 84 AQK	Light grey/light grey				

Model: STZ Model life 1985>>1998

Pos	Part Number	Description	Remark	Qty	Model			
(6)	944 521 037 84 BQA	Marine blue/marine blue		2				
	944 521 037 84 ARK	Cobalt blue/cobalt blue						
	944 521 037 84 APK	Classic grey/classic grey						
	944 521 037 84 ATX	Cashmere beige/cash. beige						
	964 521 037 10	Seat cover with heating Leatherette/ Seat surface Leather						
	964 521 037 10 JN3	Black						
	964 521 037 10 ASK	Magenta/Magenta						
	964 521 037 10 AQK	Light grey/light grey						
	964 521 037 10 BQA	Marine blue/marine blue						
	964 521 037 10 ARK	Cobalt blue/cobalt blue						
6	964 521 037 10 APK	Classic grey/classic grey		2				
	964 521 037 10 ATX	Cashmere beige/cash. beige						
	944 521 037 85	Cover for cushion without heating Whole-leather						
	944 521 037 85 KZ2	Black						
	944 521 037 85 ASL	Magenta						
	944 521 037 85 AQL	Light grey						
	944 521 037 85 BQB	Marine blue						
	944 521 037 85 ARL	Cobalt blue						
	944 521 037 85 APL	Classic grey						
	944 521 037 85 ATY	Cashmere beige						
(6)	944 521 037 85 AVF	Matador red		2				
	944 521 037 85 AVG	Carrara grey						
	944 521 037 85 AVH	Sherwood green						
	964 521 037 11	Cover for cushion with heating Whole-leather						
	964 521 037 11 KZ2	Black						
	964 521 037 11 ASL	Magenta						
	964 521 037 11 AQL	Light grey						
	964 521 037 11 BQB	Marine blue						
	964 521 037 11 ARL	Cobalt blue						
	964 521 037 11 APL	Classic grey						
-	964 521 037 11 ATY	Cashmere beige		X				
	964 521 037 11 AVF	Matador red						
	964 521 037 11 AVG	Carrara grey						
	964 521 037 11 AVH	Sherwood green						
	000 043 071 00	Clamp Mount Cover Bag Content 50 Pieces						
	7	911 521 815 00	Rosette				4	
		911 521 815 00 01C	Satin black					
	8	311 881 247	Clip				4	
	9	911 521 817 00	Control button				4	
		911 521 817 00 01C	Satin black					
10	928 521 393 15	Foam part Backrest frame		2				
11	928 521 385 27	Foam part Seat frame	/L	1				
(11)	928 521 386 27	Foam part Seat frame	/R	1				
(11)	928 521 385 28	Foam part Seat frame with heating	/L	1				

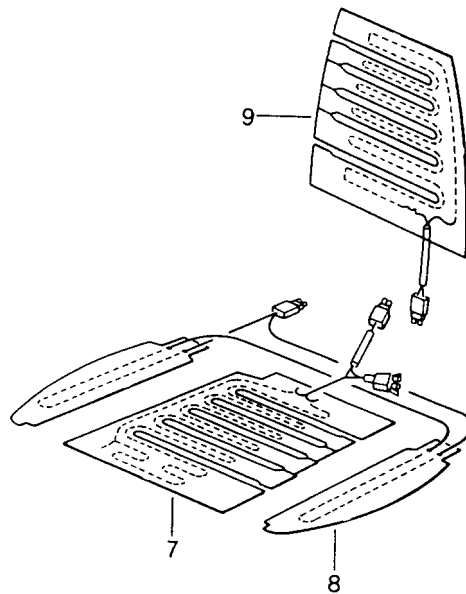
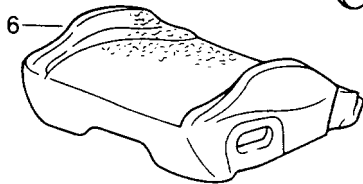
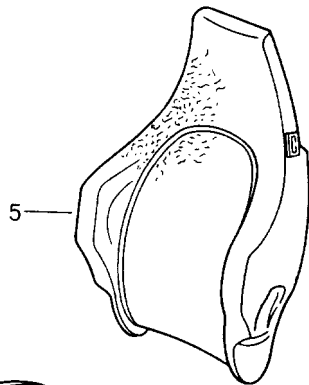
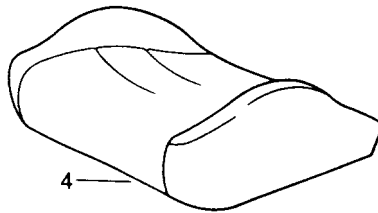
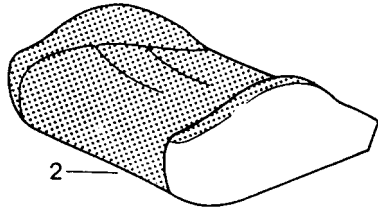
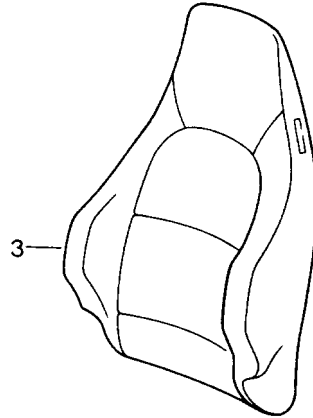
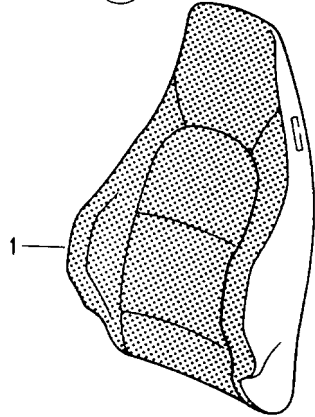
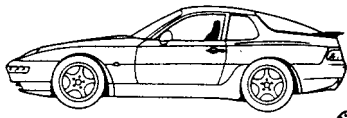


**Model: STZ**      **Model life 1985>>1998**

Pos	Part Number	Description	Remark	Qty	Model
(11)	928 521 386 28	Foam part Seat frame with heating	/R	1	

Model: STZ

Model life 1985>>1998



Model: STZ Model life 1985>>1998

Pos	Part Number	Description	Remark	Qty	Model
		Cover	94-95		968
1	993 521 127 06	Sports seat Backrest cover without heating Leatherette/ Backrest surface Porsche lettering cloth		2	
	993 521 127 06 PX2	Black/black			
	993 521 127 06 APM	Classic grey/classic grey			
	993 521 127 06 DBA	Midnight bl./midnight blue			
	993 521 127 06 DCA	Chestnut brown Chestnut brown			
	993 521 127 06 DDA	Marble grey/marble grey			
	993 521 127 06 XK6	Cashmere beige/cash. beige			
(1)	993 521 127 09	Backrest cover with heating Leatherette/ Backrest surface Porsche lettering cloth		2	
	993 521 127 09 PX2	Black/black			
	993 521 127 09 APM	Classic grey/classic grey			
	993 521 127 09 DBA	Midnight bl./midnight blue			
	993 521 127 09 DCA	Chestnut brown/ Chestnut brown			
	993 521 127 09 DDA	Marble grey/marble grey			
	993 521 127 09 XK6	Cashmere beige/cash. beige			
2	993 521 137 06	Cover for cushion without heating Leatherette/ Seat surface Porsche lettering cloth		2	
	993 521 137 06 PX2	Black/black			
	993 521 137 06 APM	Classic grey/classic grey			
	993 521 137 06 DBA	Midnight bl./midnight blue			
	993 521 137 06 DCA	Chestnut brown/ Chestnut brown			
	993 521 137 06 DDA	Marble grey/marble grey			
	993 521 137 06 XK6	Cashmere beige/cash. beige			
(2)	993 521 137 09	Cover for cushion with heating Leatherette/ Seat surface Porsche lettering cloth		2	
	993 521 137 09 PX2	Black/black			
	993 521 137 09 APM	Classic grey/classic grey			
	993 521 137 09 DBA	Midnight bl./midnight blue			
	993 521 137 09 DCA	Chestnut brown/ Chestnut brown			
	993 521 137 09 DDA	Marble grey/marble grey			
	993 521 137 09 XK6	Cashmere beige/cash. beige			
3	993 521 127 07	Backrest cover without heating Leatherette/ Backrest surface Leather		2	
	993 521 127 07 ATG	Black/black			
	993 521 127 07 APK	Classic grey/classic grey			
	993 521 127 07 DBC	Midnight bl./midnight blue			
	993 521 127 07 DCC	Chestnut brown/ Chestnut brown			
	993 521 127 07 DDC	Marble grey/marble grey			
	993 521 127 07 ATX	Cashmere beige/cash. beige			
(3)	993 521 127 10	Backrest cover		2	

Model: STZ Model life 1985>>1998

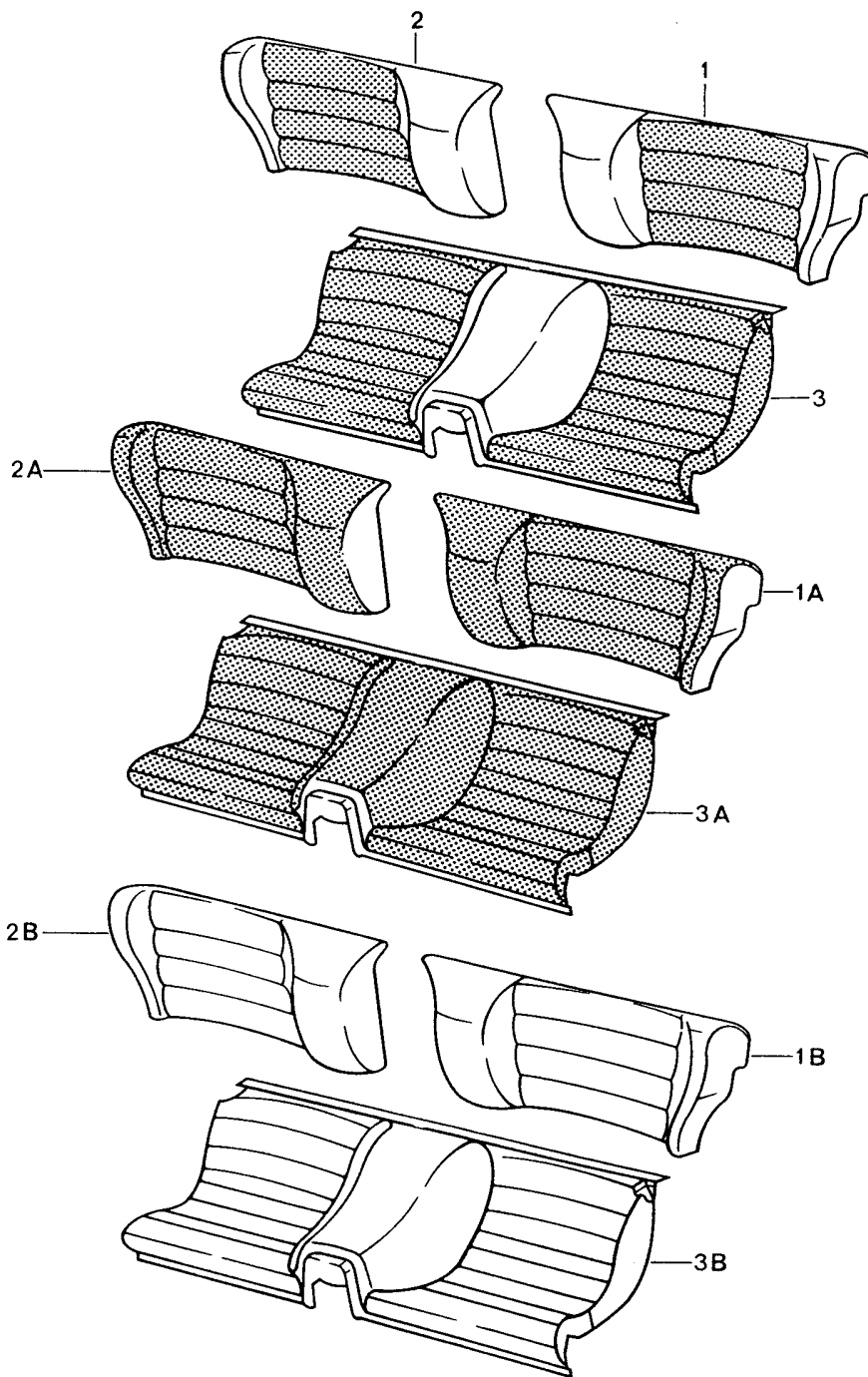
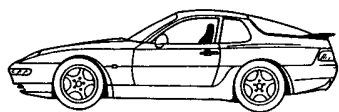
Pos	Part Number	Description	Remark	Qty	Model
		with heating Leatherette/ Backrest surface Leather			
	993 521 127 10 ATG	Black/black			
	993 521 127 10 APK	Classic grey/classic grey			
	993 521 127 10 DBC	Midnight bl./midnight blue			
	993 521 127 10 DCC	Chestnut brown/ Chestnut brown			
	993 521 127 10 DDC	Marble grey/marble grey			
	993 521 127 10 ATX	Cashmere beige/cash. beige			
3	993 521 127 08	Backrest cover without heating Whole-leather		2	
	993 521 127 08 ATH	Black			
	993 521 127 08 APL	Classic grey			
	993 521 127 08 DBD	Midnight blue			
	993 521 127 08 DCD	Chestnut brown			
	993 521 127 08 DDD	Marble grey			
	993 521 127 08 ATY	Cashmere beige			
	993 521 127 08 DEC	Provence blue			
	993 521 127 08 DEE	Cedar green			
	993 521 127 08 DEF	Flamenco red			
(3)	993 521 127 11	Backrest cover with heating Whole-leather		2	
	993 521 127 11 ATH	Black			
	993 521 127 11 APL	Classic grey			
	993 521 127 11 DBD	Midnight blue			
	993 521 127 11 DCD	Chestnut brown			
	993 521 127 11 DDD	Marble grey			
	993 521 127 11 ATY	Cashmere beige			
	993 521 127 11 DEC	Provence blue			
	993 521 127 11 DEE	Cedar green			
	993 521 127 11 DEF	Flamenco red			
4	993 521 137 07	Cover for cushion without heating Leatherette/ Seat surface Leather		2	
	993 521 137 07 ATG	Black/black			
	993 521 137 07 APK	Classic grey/classic grey			
	993 521 137 07 DBC	Midnight bl./midnight blue			
	993 521 137 07 DCC	Chestnut brown/ Chestnut brown			
	993 521 137 07 DDC	Marble grey/marble grey			
	993 521 137 07 ATX	Cashmere beige/cash. beige			
(4)	993 521 137 10	Cover for cushion with heating Leatherette/ Seat surface Leather		2	
	993 521 137 10 ATG	Black/black			
	993 521 137 10 APK	Classic grey/classic grey			
	993 521 137 10 DBC	Midnight bl./midnight blue			
	993 521 137 10 DCC	Chestnut brown/ Chestnut brown			
	993 521 137 10 DDC	Marble grey/marble grey			
	993 521 137 10 ATX	Cashmere beige/cash. beige			
4	993 521 137 08	Cover for cushion without heating Whole-leather		2	
	993 521 137 08 ATH	Black			

Model: STZ Model life 1985>>1998

Pos	Part Number	Description	Remark	Qty	Model
	993 521 137 08 APL	Classic grey			
	993 521 137 08 DBD	Midnight blue			
	993 521 137 08 DCD	Chestnut brown			
	993 521 137 08 DDD	Marble grey			
	993 521 137 08 ATY	Cashmere beige			
	993 521 137 08 DEC	Provence blue			
	993 521 137 08 DEE	Cedar green			
	993 521 137 08 DEF	Flamenco red			
(4)	993 521 137 11	Cover for cushion with heating Whole-leather		2	
	993 521 137 11 ATH	Black			
	993 521 137 11 APL	Classic grey			
	993 521 137 11 DBD	Midnight blue			
	993 521 137 11 DCD	Chestnut brown			
	993 521 137 11 DDD	Marble grey			
	993 521 137 11 ATY	Cashmere beige			
	993 521 137 11 DEC	Provence blue			
	993 521 137 11 DEE	Cedar green			
	993 521 137 11 DEF	Flamenco red			
-	000 043 071 00	Clamp Mount Cover Bag Content 50 Pieces		X	
5	993 521 393 05	Foam part Backrest frame Sports seat		1	
6	993 521 385 08	Foam part Seat cushion Elect. vertical adjustment	/L	1	
(6)	993 521 386 08	Foam part Seat cushion Elect. vertical adjustment	/R	1	
6	993 521 385 09	Foam part Seat cushion Elect. vertical adjustment with heating	/L	1	
(6)	993 521 386 09	Foam part Seat cushion Elect. vertical adjustment with heating	/R	1	
7	993 653 901 00	Seat heater Seat surface		1	
8	993 653 120 00	Seat heater Seat side bolster		1	
9	993 653 902 00	Seat heater Backrest surface		1	

Model: STZ

Model life 1985>>1998



Model: STZ Model life 1985>>1998

Pos	Part Number	Description	Remark	Qty	Model
1	944 522 045 01	Back seat Complete Backrest Leatherette/ Centre part in cloth Multicolour Carpet	92-93  /L	1	968 COUPE
	944 522 045 01 XJ1	Black/black Black			
	944 522 045 01 XJ4	Marine blue/marine blue Marine blue			
	944 522 045 01 ASC	Magenta/Magenta Magenta			
	944 522 045 01 AQC	Light grey/light grey Light grey			
	944 522 045 01 ARC	Cobalt blue/cobalt blue Cobalt blue			
	944 522 045 01 APC	Classic grey/classic grey Classic grey			
	944 522 045 01 AQW	Cashmere beige/cash. beige Cashmere beige			
2	944 522 046 01	Backrest Leatherette/ Centre part in cloth Multicolour Carpet	/R	1	
	944 522 046 01 XJ1	Black/black Black			
	944 522 046 01 XJ4	Marine blue/marine blue Marine blue			
	944 522 046 01 ASC	Magenta/Magenta Magenta			
	944 522 046 01 AQC	Light grey/light grey Light grey			
	944 522 046 01 ARC	Cobalt blue/cobalt blue Cobalt blue			
	944 522 046 01 APC	Classic grey/classic grey Classic grey			
	944 522 046 01 AQW	Cashmere beige/cash. beige Cashmere beige			
1	944 522 045 01	Backrest Leatherette/ Centre part Porsche lettering cloth Carpet	/L	1	
	944 522 045 01 PX1	Black/black Black			
	944 522 045 01 XJ9	Marine blue/marine blue Marine blue			
	944 522 045 01 ASA	Magenta/Magenta Magenta			
	944 522 045 01 AQA	Light grey/light grey Light grey			
	944 522 045 01 ARA	Cobalt blue/cobalt blue Cobalt blue			
	944 522 045 01 APA	Classic grey/classic grey Classic grey			
	944 522 045 01 AQZ	Cashmere beige/cash. beige Cashmere beige			
2	944 522 046 01	Backrest Leatherette/ Centre part Porsche lettering cloth	/R	1	

Model: STZ Model life 1985&gt;&gt;1998

Pos	Part Number	Description	Remark	Qty	Model
	944 522 046 01 PX1	Carpet Black/black			
	944 522 046 01 XJ9	Black Marine blue			
	944 522 046 01 ASA	Marine blue Magenta/Magenta			
	944 522 046 01 AQA	Magenta Light grey/light grey			
	944 522 046 01 ARA	Light grey Cobalt blue/cobalt blue			
	944 522 046 01 APA	Cobalt blue Classic grey/classic grey			
	944 522 046 01 AQZ	Classic grey Cashmere beige/cash. beige			
1A	944 522 045 02	Cashmere beige Backrest	/L	1	
		Leatherette/ Backrest surface			
		Multicolour Carpet			
	944 522 045 02 XK8	Black/black Black			
	944 522 045 02 XN1	Marine blue/marine blue Marine blue			
	944 522 045 02 ASN	Magenta/Magenta Magenta			
	944 522 045 02 AQN	Light grey/light grey Light grey			
	944 522 045 02 AQV	Cobalt blue/cobalt blue Cobalt blue			
	944 522 045 02 AQP	Classic grey/classic grey Classic grey			
	944 522 045 02 XK7	Cashmere beige/cash. beige Cashmere beige			
2A	944 522 046 02	Backrest	/R	1	
		Leatherette/ Backrest surface			
		Multicolour Carpet			
	944 522 046 02 XK8	Black/black Black			
	944 522 046 02 XN1	Marine blue/marine blue Marine blue			
	944 522 046 02 ASN	Magenta/Magenta Magenta			
	944 522 046 02 AQN	Light grey/light grey Light grey			
	944 522 046 02 AQV	Cobalt blue/cobalt blue Cobalt blue			
	944 522 046 02 AQP	Classic grey/classic grey Classic grey			
	944 522 046 02 XK7	Cashmere beige/cash. beige Cashmere beige			
1A	944 522 045 02	Backrest	/L	1	
		Leatherette/ Backrest surface			
		Porsche lettering cloth Carpet			
	944 522 045 02 PX2	Black/black Black			
	944 522 045 02 TR9	Marine blue/marine blue Marine blue			
	944 522 045 02 ASM	Magenta/Magenta			



Model: STZ Model life 1985>>1998

Pos	Part Number	Description	Remark	Qty	Model
		Magenta			
	944 522 045 02 AQM	Light grey/light grey			
		Light grey			
	944 522 045 02 ARM	Cobalt blue/cobalt blue			
		Cobalt blue			
	944 522 045 02 APM	Classic grey/classic grey			
		Classic grey			
	944 522 045 02 XK6	Cashmere beige/cash. beige			
		Cashmere beige			
2A	944 522 046 02	Backrest	/R	1	
		Leatherette/			
		Backrest surface			
		Porsche lettering cloth			
		Carpet			
	944 522 046 02 PX2	Black/black			
		Black			
	944 522 046 02 TR9	Marine blue/marine blue			
		Marine blue			
	944 522 046 02 ASM	Magenta/Magenta			
		Magenta			
	944 522 046 02 AQM	Light grey/light grey			
		Light grey			
	944 522 046 02 ARM	Cobalt blue/cobalt blue			
		Cobalt blue			
	944 522 046 02 APM	Classic grey/classic grey			
		Classic grey			
	944 522 046 02 XK6	Cashmere beige/cash. beige			
		Cashmere beige			
1B	944 522 045 03	Backrest	/L	1	
		Leatherette/			
		Carpet			
	944 522 045 03 43S	Black/black			
	944 522 045 03 1KX	Marine blue/marine blue			
	944 522 045 03 9WX	Magenta/Magenta			
	944 522 045 03 3ZT	Light grey/light grey			
	944 522 045 03 5ZF	Cobalt blue/cobalt blue			
	944 522 045 03 5WH	Classic grey/classic grey			
	944 522 045 03 7RT	Cashmere beige/cash. beige			
2B	944 522 046 03	Backrest	/R	1	
		Leatherette/			
		Carpet			
	944 522 046 03 43S	Black/black			
	944 522 046 03 1KX	Marine blue/marine blue			
	944 522 046 03 9WX	Magenta/Magenta			
	944 522 046 03 3ZT	Light grey/light grey			
	944 522 046 03 5ZF	Cobalt blue/cobalt blue			
	944 522 046 03 5WH	Classic grey/classic grey			
	944 522 046 03 7RT	Cashmere beige/cash. beige			
1B	944 522 045 51	Backrest	/L	1	
		Leather/			
		Carpet			
	944 522 045 51 KZ2	Black/black			
	944 522 045 51 ASL	Magenta/Magenta			
	944 522 045 51 AQL	Light grey/light grey			
	944 522 045 51 BQB	Marine blue/marine blue			
	944 522 045 51 ARL	Cobalt blue/cobalt blue			
	944 522 045 51 APL	Classic grey/classic grey			
	944 522 045 51 ATY	Cashmere beige/cash. beige			
	944 522 045 51 AVF	Matador red/matador red			
	944 522 045 51 AVG	Carrara grey/carrara grey			
	944 522 045 51 AVH	Sherwood gr./sherw. green			
2B	944 522 046 51	Backrest	/R	1	
		Leather/			

Model: STZ Model life 1985>>1998

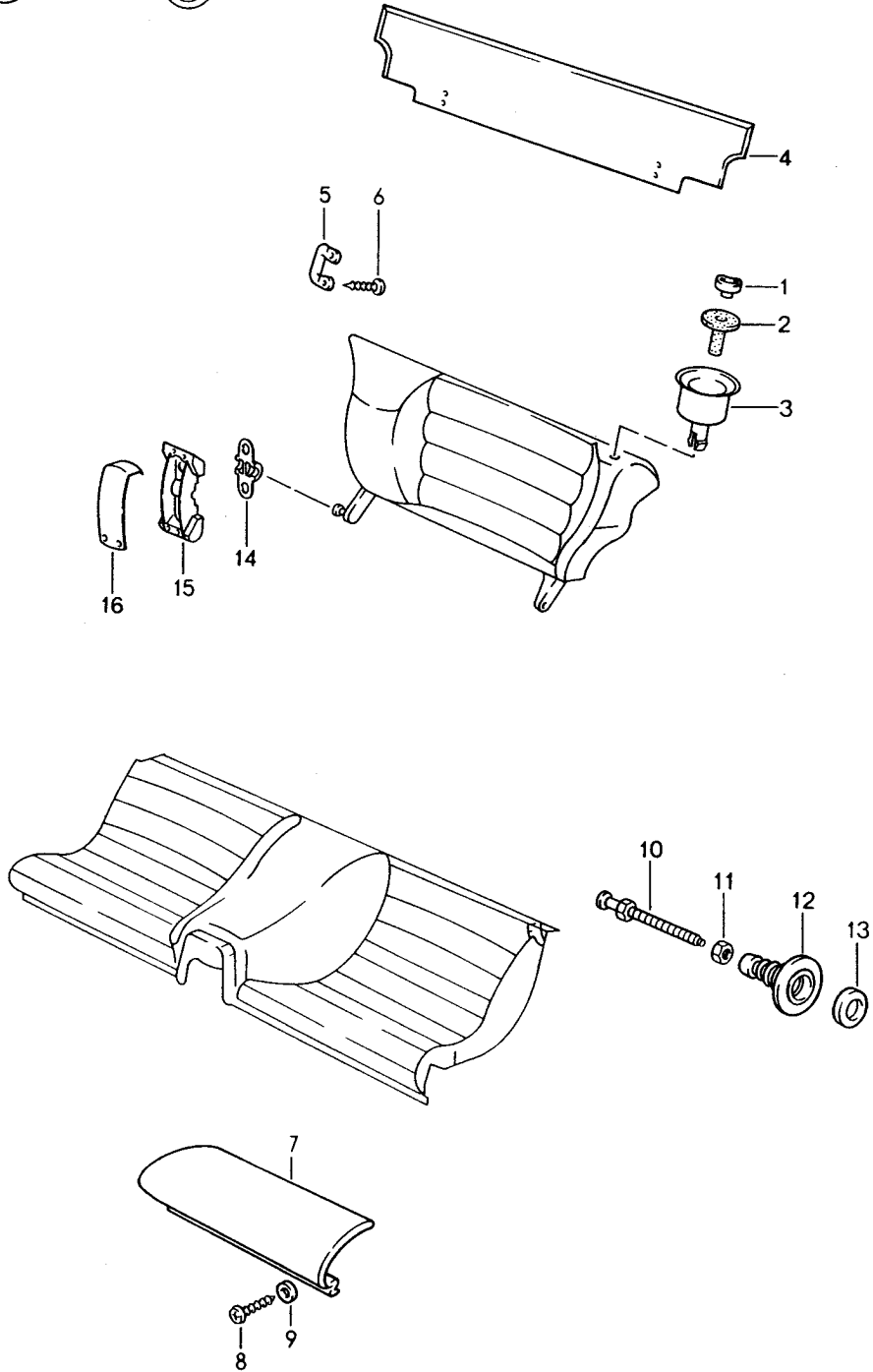
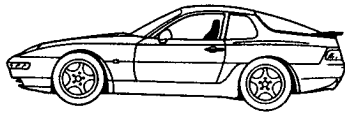
Pos	Part Number	Description	Remark	Qty	Model
		Carpet			
	944 522 046 51 KZ2	Black/black			
	944 522 046 51 ASL	Magenta			
	944 522 046 51 AQL	Light grey			
	944 522 046 51 BQB	Marine blue			
	944 522 046 51 ARL	Cobalt blue/cobalt blue			
	944 522 046 51 APL	Classic grey/classic grey			
	944 522 046 51 ATY	Cashmere beige			
	944 522 046 51 AVF	Matador red/matador red			
	944 522 046 51 AVG	Carrara grey/carrara grey			
	944 522 046 51 AVH	Sherwood gr./sherw. green			
3	944 522 073 00	Seat cushion Leatherette/ Centre part in cloth Multicolour		1	
	944 522 073 00 XJ1	Black/black			
	944 522 073 00 XJ4	Marine blue/marine blue			
	944 522 073 00 ASC	Magenta/Magenta			
	944 522 073 00 AQC	Light grey/light grey			
	944 522 073 00 ARC	Cobalt blue/cobalt blue			
	944 522 073 00 APC	Classic grey/classic grey			
	944 522 073 00 AQW	Cashmere beige/cash. beige			
3	944 522 073 00	Seat cushion Leatherette/ Centre part Porsche lettering cloth		1	
	944 522 073 00 PX1	Black/black			
	944 522 073 00 XJ9	Marine blue/marine blue			
	944 522 073 00 ASA	Magenta/Magenta			
	944 522 073 00 AQA	Light grey			
	944 522 073 00 ARA	Cobalt blue/cobalt blue			
	944 522 073 00 APA	Classic grey/classic grey			
	944 522 073 00 AQZ	Cashmere beige/cash. beige			
3A	944 522 073 01	Seat cushion Leatherette/ Seat surface Multicolour		1	
	944 522 073 01 XK8	Black/black			
	944 522 073 01 XN1	Marine blue/marine blue			
	944 522 073 01 ASN	Magenta/Magenta			
	944 522 073 01 AQN	Light grey/light grey			
	944 522 073 01 AQV	Cobalt blue/cobalt blue			
	944 522 073 01 AQP	Classic grey/classic grey			
	944 522 073 01 XK7	Cashmere beige/cash. beige			
3A	944 522 073 01	Seat cushion Leatherette/ Seat surface Porsche lettering cloth		1	
	944 522 073 01 PX2	Black/black			
	944 522 073 01 TR9	Marine blue/marine blue			
	944 522 073 01 ASM	Magenta/Magenta			
	944 522 073 01 AQM	Light grey/light grey			
	944 522 073 01 ARM	Cobalt blue/cobalt blue			
	944 522 073 01 APM	Classic grey/classic grey			
	944 522 073 01 XK6	Cashmere beige/cash. beige			
3B	944 522 073 02	Seat cushion Leatherette		1	
	944 522 073 02 43S	Black			
	944 522 073 02 1KX	Marine blue			
	944 522 073 02 9WX	Magenta			
	944 522 073 02 3ZT	Light grey			
	944 522 073 02 5ZF	Cobalt blue			
	944 522 073 02 5WH	Classic grey			

Model: STZ Model life 1985>>1998

Pos	Part Number	Description	Remark	Qty	Model
3B	944 522 073 02 7RT	Cashmere beige		1	
	944 522 073 51	Seat cushion			
		Whole-leather			
	944 522 073 51 KZ2	Black			
	944 522 073 51 ASL	Magenta			
	944 522 073 51 AQL	Light grey			
	944 522 073 51 BQB	Marine blue			
	944 522 073 51 ARL	Cobalt blue			
	944 522 073 51 APL	Classic grey			
	944 522 073 51 ATY	Cashmere beige			
	944 522 073 51 AVF	Matador red			
944 522 073 51 AVG	Carrara grey				
944 522 073 51 AVH	Sherwood green				

Model: STZ

Model life 1985>>1998

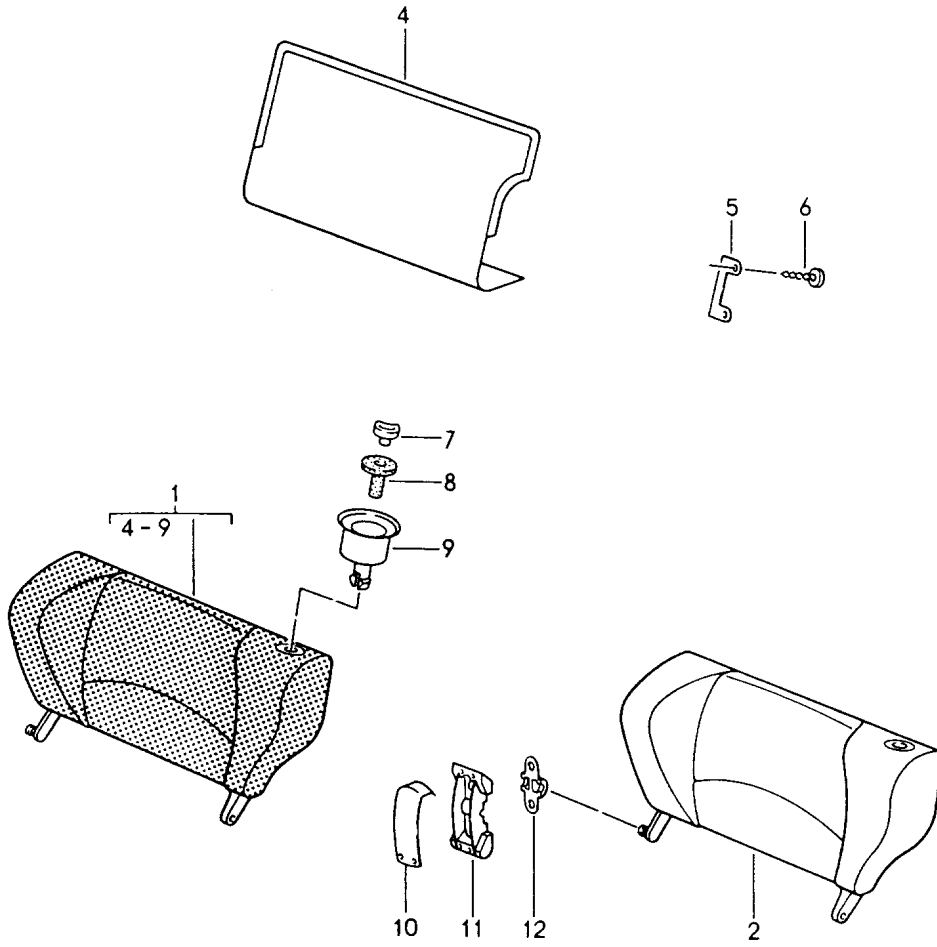
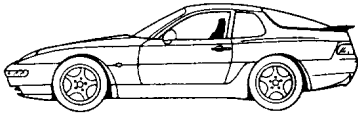


Model: STZ Model life 1985&gt;&gt;1998

Pos	Part Number	Description	Remark	Qty	Model
		Back seat	92-93		968
		Single parts			COUPE
1	944 522 317 00	Push button		2	
	944 522 317 00 01C	Satin black			
2	944 522 319 00	Guide piece		2	
3	944 522 315 00	Rosette		2	
	944 522 315 00 01C	Satin black			
(4)	944 522 831 01	Carpet	/L	1	
		for			
		Back seat backrest			
	944 522 831 01 1DR	Black			
	944 522 831 01 4KF	Marine blue			
	944 522 831 01 L52	Magenta			
	944 522 831 01 D42	Light grey			
	944 522 831 01 G47	Cobalt blue			
	944 522 831 01 D06	Classic grey			
	944 522 831 01 T32	Cashmere beige			
	944 522 831 01 N02	Matador red			
	944 522 831 01 E12	Carrara grey			
	944 522 831 01 J22	Sherwood green			
(4)	944 522 832 01	Carpet	/R	1	
		for			
		Back seat backrest			
	944 522 832 01 1DR	Black			
	944 522 832 01 4KF	Marine blue			
	944 522 832 01 L52	Magenta			
	944 522 832 01 D42	Light grey			
	944 522 832 01 G47	Cobalt blue			
	944 522 832 01 D06	Classic grey			
	944 522 832 01 T32	Cashmere beige			
	944 522 832 01 N02	Matador red			
	944 522 832 01 E12	Carrara grey			
	944 522 832 01 J22	Sherwood green			
5	477 885 761	Retaining bar		2	
6	N 014 096 3	Rais. counters. h. tap. s.		4	
		B 4,2 X 22			
10	944 522 267 00	Retaining pivot		2	
11	N 011 111 2	Nut		4	
		BM 12 X 1,5			
12	944 522 053 00	Lining	/L	1	
	944 522 053 00 01C	Satin black			
(12)	944 522 054 00	Lining	/R	1	
	944 522 054 00 01C	Satin black			
13	N 011 675 2	Washer		2	
		B 15			
14	944 522 245 00	Bearing shell		2	
		Lower			
15	944 522 243 00	Bearing shell		2	
		Upper			
16	944 522 517 00	Cover		2	
	944 522 517 00 01C	Satin black			
-	944 522 281 00	Lock		1	
-	944 522 282 00	Lock		1	

Model: STZ

Model life 1985>>1998



Model: STZ Model life 1985>>1998

Pos	Part Number	Description	Remark	Qty	Model
		Back seat Backrest with Release button Upper	94-95		COUPE
1	944 522 043 00	Back seat backrest Cloth with Porsche lettering cloth	/L	1	
	944 522 043 00 PX2	Black/black			
	944 522 043 00 APM	Classic grey/classic grey			
	944 522 043 00 DBA	Midnight bl./midnight blue			
	944 522 043 00 DCA	Chestnut brown Chestnut brown			
	944 522 043 00 DDA	Marble grey/marble grey			
	944 522 043 00 XK6	Cashmere beige/cash. beige			
(1)	944 522 044 00	Back seat backrest Cloth with Porsche lettering cloth	/R	1	
	944 522 044 00 PX2	Black-black			
	944 522 044 00 APM	Classic grey/classic grey			
	944 522 044 00 DBA	Midnight bl./midnight blue			
	944 522 044 00 DCA	Chestnut brown Chestnut brown			
	944 522 044 00 DDA	Marble grey/marble grey			
	944 522 044 00 XK6	Cashmere beige/cash. beige			
2	944 522 043 01	Back seat backrest Leatherette	/L	1	
	944 522 043 01 43S	Black			
	944 522 043 01 5WH	Classic grey			
	944 522 043 01 5HE	Midnight blue			
	944 522 043 01 6PC	Chestnut brown			
	944 522 043 01 7EB	Marble grey			
	944 522 043 01 7RT	Cashmere beige			
(2)	944 522 044 01	Back seat backrest Leatherette	/R	1	
	944 522 044 01 43S	Black			
	944 522 044 01 5WH	Classic grey			
	944 522 044 01 5HE	Midnight blue			
	944 522 044 01 6PC	Chestnut brown			
	944 522 044 01 7EB	Marble grey			
	944 522 044 01 7RT	Cashmere beige			
2	944 522 043 02	Back seat backrest Whole-leather	/L	1	
	944 522 043 02 ATH	Black			
	944 522 043 02 APL	Classic grey			
	944 522 043 02 DBD	Midnight blue			
	944 522 043 02 DCD	Chestnut brown			
	944 522 043 02 DDD	Marble grey			
	944 522 043 02 ATY	Cashmere beige			
	944 522 043 02 DEC	Provence blue			
	944 522 043 02 DEE	Cedar green			
	944 522 043 02 DEF	Flamenco red			
(2)	944 522 044 02	Back seat backrest Whole-leather	/R	1	
	944 522 044 02 ATH	Black			
	944 522 044 02 APL	Classic grey			
	944 522 044 02 DBD	Midnight blue			
	944 522 044 02 DCD	Chestnut brown			
	944 522 044 02 DDD	Marble grey			
	944 522 044 02 ATY	Cashmere beige			
	944 522 044 02 DEC	Provence blue			

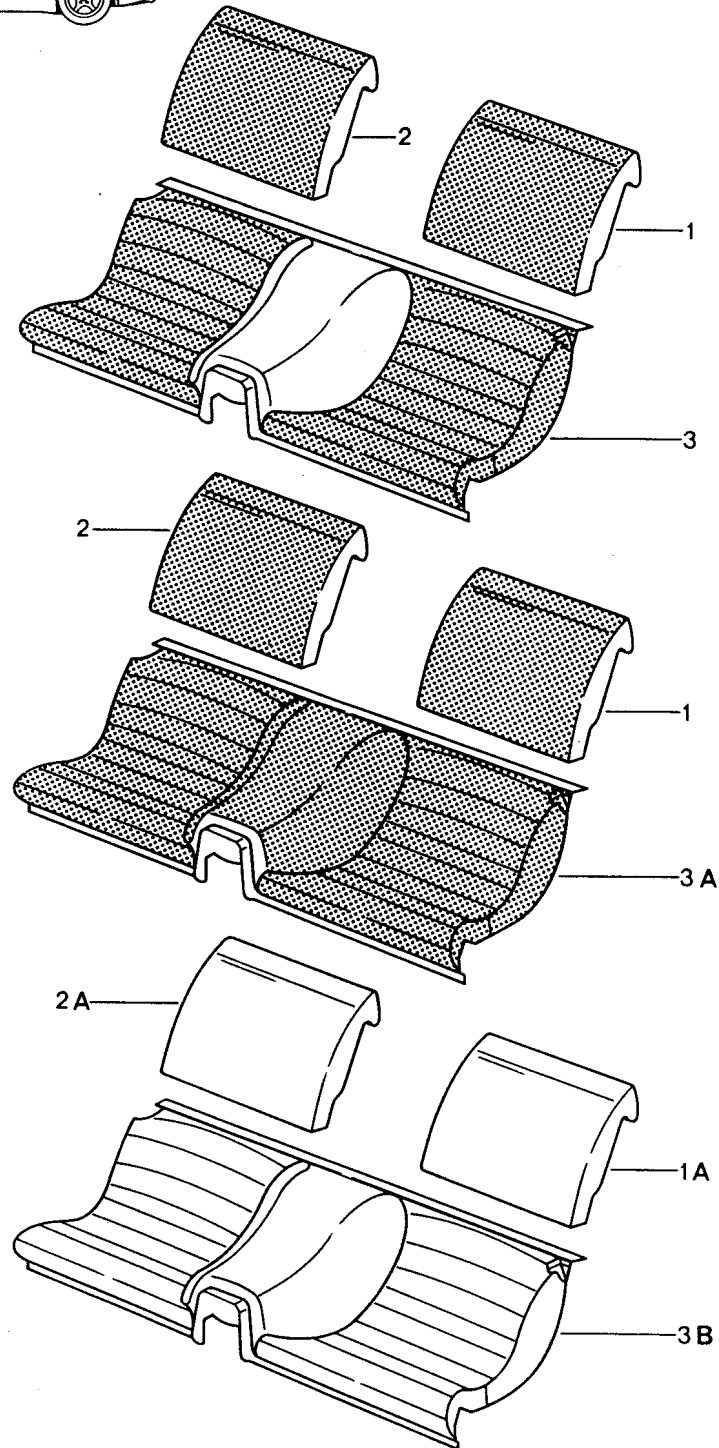
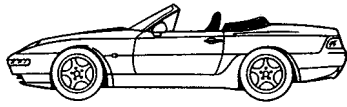
Model: STZ Model life 1985>>1998

Pos	Part Number	Description	Remark	Qty	Model			
4	944 522 044 02 DEE	Cedar green	/L	1				
	944 522 044 02 DEF	Flamenco red						
	944 522 831 01	Carpet for Back seat backrest						
	944 522 831 01 1DR	Black						
	944 522 831 01 D06	Classic grey						
	944 522 831 01 8HP	Midnight blue						
	944 522 831 01 8RP	Chestnut brown						
	944 522 831 01 2BQ	Marble grey						
	944 522 831 01 T32	Cashmere beige						
	944 522 831 01 7HE	Provence blue						
	944 522 831 01 1JE	Cedar green						
	944 522 831 01 4UP	Flamenco red						
	(4) 944 522 832 01	Carpet for Back seat backrest				/R	1	
	944 522 832 01 1DR	Black						
	944 522 832 01 D06	Classic grey						
	944 522 832 01 8HP	Midnight blue						
	944 522 832 01 8RP	Chestnut brown						
944 522 832 01 2BQ	Marble grey							
944 522 832 01 T32	Cashmere beige							
944 522 832 01 7HE	Provence blue							
944 522 832 01 1JE	Cedar green							
944 522 832 01 4UP	Flamenco red							
5	477 885 761	Retaining bar		2				
6	N 014 096 3	Rais. counters. h. tap. s. B 4,2 X 22		4				
7	944 522 317 00	Push button		2				
	944 522 317 00 01C	Satin black						
8	944 522 319 00	Guide piece		2				
9	944 522 315 00	Rosette		2				
	944 522 315 00 01C	Satin black						
10	944 522 517 00	Cover		2				
	944 522 517 00 01C	Satin black						
11	944 522 243 00	Bearing shell Upper		2				
	944 522 245 00	Bearing shell Lower		2				



Model: STZ

Model life 1985>>1998



Model: STZ Model life 1985>>1998

Pos	Part Number	Description	Remark	Qty	Model
1	941 522 045 11	Back seat Complete Backrest Leatherette/ Backrest surface Multicolour Carpet	92-93  /L	1	968 CABRIO
	941 522 045 11 XJ1	Black/black Black			
	941 522 045 11 XJ4	Marine blue/marine blue Marine blue			
	941 522 045 11 ASC	Magenta/Magenta Magenta			
	941 522 045 11 AQC	Light grey/light grey Light grey			
	941 522 045 11 ARC	Cobalt blue/cobalt blue Cobalt blue			
	941 522 045 11 APC	Classic grey/classic grey Classic grey			
	941 522 045 11 AQW	Cashmere beige/cash. beige Cashmere beige			
2	941 522 046 11	Backrest Leatherette/ Backrest surface Multicolour Carpet	/R	1	
	941 522 046 11 XJ1	Black/black Black			
	941 522 046 11 XJ4	Marine blue/marine blue Marine blue			
	941 522 046 11 ASC	Magenta/Magenta Magenta			
	941 522 046 11 AQC	Light grey/light grey Light grey			
	941 522 046 11 ARC	Cobalt blue/cobalt blue Cobalt blue			
	941 522 046 11 APC	Classic grey/classic grey Classic grey			
	941 522 046 11 AQW	Cashmere beige/cash. beige Cashmere beige			
1	941 522 045 11	Backrest Leatherette/ Backrest surface Porsche lettering cloth Carpet	/L	1	
	941 522 045 11 PX1	Black/black Black			
	941 522 045 11 XJ9	Marine blue/marine blue Marine blue			
	941 522 045 11 ASA	Magenta/Magenta Magenta			
	941 522 045 11 AQA	Light grey/light grey Light grey			
	941 522 045 11 ARA	Cobalt blue/cobalt blue Cobalt blue			
	941 522 045 11 APA	Classic grey/classic grey Classic grey			
	941 522 045 11 AQZ	Cashmere beige/cash. beige Cashmere beige			
2	941 522 046 11	Backrest Leatherette/ Backrest surface Porsche lettering cloth	/R	1	

Model: STZ Model life 1985>>1998

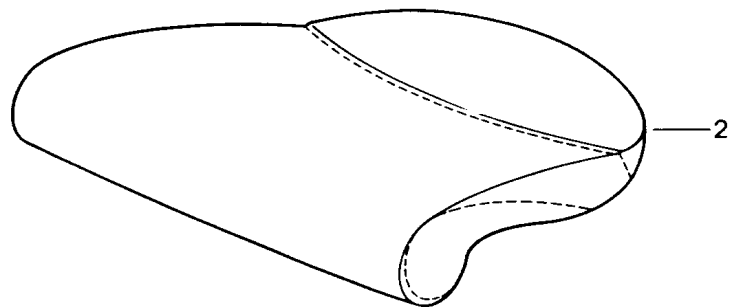
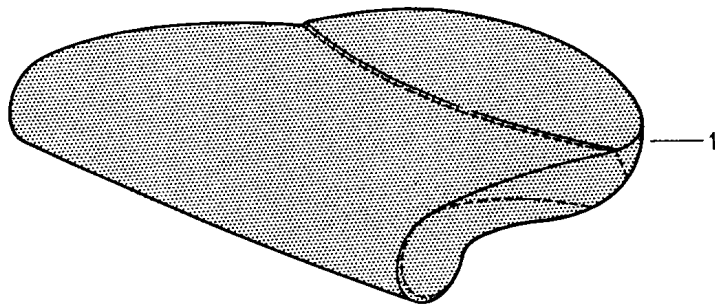
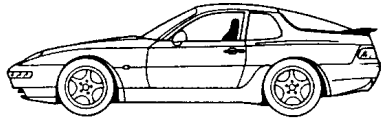
Pos	Part Number	Description	Remark	Qty	Model
	941 522 046 11 PX1	Carpet Black/black			
	941 522 046 11 XJ9	Black Black/black			
	941 522 046 11 ASA	Marine blue Magenta/Magenta			
	941 522 046 11 AQA	Magenta Light grey/light grey			
	941 522 046 11 ARA	Light grey Cobalt blue/cobalt blue			
	941 522 046 11 APA	Cobalt blue Classic grey/classic grey			
	941 522 046 11 AQZ	Classic grey Cashmere beige/cash. beige			
1A	941 522 045 10	Cashmere beige Backrest	/L	1	
		Leatherette/ Carpet			
	941 522 045 10 43S	Black/black			
	941 522 045 10 1KX	Marine blue/marine blue			
	941 522 045 10 9WX	Magenta/Magenta			
	941 522 045 10 3ZT	Light grey/light grey			
	941 522 045 10 5ZF	Cobalt blue/cobalt blue			
	941 522 045 10 5WH	Classic grey/classic grey			
	941 522 045 10 7RT	Cashmere beige/cash. beige			
2A	941 522 046 10	Backrest	/R	1	
		Leatherette/ Carpet			
	941 522 046 10 43S	Black/black			
	941 522 046 10 1KX	Marine blue/marine blue			
	941 522 046 10 9WX	Magenta/Magenta			
	941 522 046 10 3ZT	Light grey/light grey			
	941 522 046 10 5ZF	Cobalt blue/cobalt blue			
	941 522 046 10 5WH	Classic grey/classic grey			
	941 522 046 10 7RT	Cashmere beige/cash. beige			
(1A)	941 522 045 12	Backrest	/L	1	
		Leather/ Carpet			
	941 522 045 12 KZ2	Black			
	941 522 045 12 ASL	Magenta/Magenta			
	941 522 045 12 AQL	Light grey/light grey			
	941 522 045 12 BQB	Marine blue/marine blue			
	941 522 045 12 ARL	Cobalt blue/cobalt blue			
	941 522 045 12 APL	Classic grey/classic grey			
	941 522 045 12 ATY	Cashmere beige/cash. beige			
	941 522 045 12 AVF	Matador red/matador red			
	941 522 045 12 AVG	Carrara grey/carrara grey			
	941 522 045 12 AVH	Sherwood gr./sherw. green			
(2A)	941 522 046 12	Backrest	/R	1	
		Leather/ Carpet			
	941 522 046 12 KZ2	Black			
	941 522 046 12 ASL	Magenta/Magenta			
	941 522 046 12 AQL	Light grey/light grey			
	941 522 046 12 BQB	Marine blue/marine blue			
	941 522 046 12 ARL	Cobalt blue/cobalt blue			
	941 522 046 12 APL	Classic grey/classic grey			
	941 522 046 12 ATY	Cashmere beige/cash. beige			
	941 522 046 12 AVF	Matador red/matador red			
	941 522 046 12 AVG	Carrara grey/carrara grey			
	941 522 046 12 AVH	Sherwood gr./sherw. green			
3	944 522 073 00	Seat cushion		1	
		Leatherette/			

Model: STZ Model life 1985>>1998

Pos	Part Number	Description	Remark	Qty	Model
		Centre part in cloth			
		Multicolour			
	944 522 073 00 XJ1	Black/black			
	944 522 073 00 XJ4	Marine blue/marine blue			
	944 522 073 00 ASC	Magenta/Magenta			
	944 522 073 00 AQC	Light grey/light grey			
	944 522 073 00 ARC	Cobalt blue/cobalt blue			
	944 522 073 00 APC	Classic grey/classic grey			
	944 522 073 00 AQW	Cashmere beige/cash. beige			
3	944 522 073 00	Seat cushion		1	
		Leatherette/			
		Centre part			
		Porsche lettering cloth			
	944 522 073 00 PX1	Black/black			
	944 522 073 00 XJ9	Marine blue/marine blue			
	944 522 073 00 ASA	Magenta/Magenta			
	944 522 073 00 AQA	Light grey			
	944 522 073 00 ARA	Cobalt blue/cobalt blue			
	944 522 073 00 APA	Classic grey/classic grey			
	944 522 073 00 AQZ	Cashmere beige/cash. beige			
3A	944 522 073 01	Seat cushion		1	
		Leatherette/			
		Seat surface			
		Multicolour			
	944 522 073 01 XK8	Black/black			
	944 522 073 01 XN1	Marine blue/marine blue			
	944 522 073 01 ASN	Magenta/Magenta			
	944 522 073 01 AQN	Light grey/light grey			
	944 522 073 01 AQV	Cobalt blue/cobalt blue			
	944 522 073 01 AQP	Classic grey/classic grey			
	944 522 073 01 XK7	Cashmere beige/cash. beige			
3A	944 522 073 01	Seat cushion		1	
		Leatherette/			
		Seat surface			
		Porsche lettering cloth			
	944 522 073 01 PX2	Black/black			
	944 522 073 01 TR9	Marine blue/marine blue			
	944 522 073 01 ASM	Magenta/Magenta			
	944 522 073 01 AQM	Light grey/light grey			
	944 522 073 01 ARM	Cobalt blue/cobalt blue			
	944 522 073 01 APM	Classic grey/classic grey			
	944 522 073 01 XK6	Cashmere beige/cash. beige			
3B	944 522 073 02	Seat cushion		1	
		Leatherette			
	944 522 073 02 43S	Black			
	944 522 073 02 1KX	Marine blue			
	944 522 073 02 9WX	Magenta			
	944 522 073 02 3ZT	Light grey			
	944 522 073 02 5ZF	Cobalt blue			
	944 522 073 02 5WH	Classic grey			
	944 522 073 02 7RT	Cashmere beige			
3B	944 522 073 51	Seat cushion		1	
		Whole-leather			
	944 522 073 51 KZ2	Black			
	944 522 073 51 ASL	Magenta			
	944 522 073 51 AQL	Light grey			
	944 522 073 51 BQB	Marine blue			
	944 522 073 51 ARL	Cobalt blue			
	944 522 073 51 APL	Classic grey			
	944 522 073 51 ATY	Cashmere beige			
	944 522 073 51 AVF	Matador red			
	944 522 073 51 AVG	Carrara grey			
	944 522 073 51 AVH	Sherwood green			

Model: STZ

Model life 1985>>1998

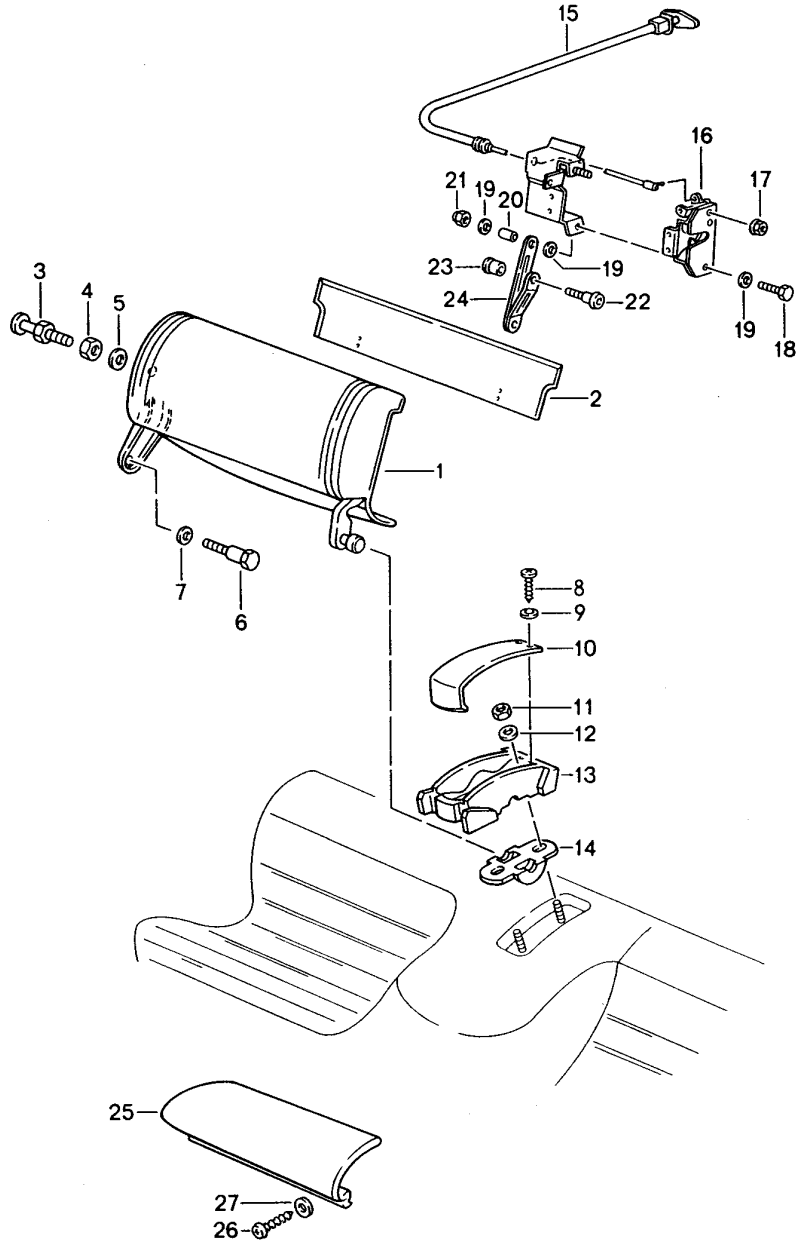
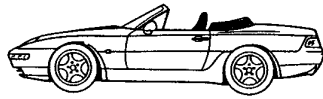


Model: STZ Model life 1985>>1998

Pos	Part Number	Description	Remark	Qty	Model
1	944 522 251 00	Back seat cushion	94-95	1	968
		Back seat cushion	/L		
		Porsche lettering cloth			
	944 522 251 00 2CZ	Black/black			
	944 522 251 00 6WC	Classic grey/classic grey			
	944 522 251 00 4GP	Midnight bl./midnight blue			
	944 522 251 00 7SA	Chestnut brown			
		Chestnut brown			
	944 522 251 00 9BE	Marble grey/marble grey			
	944 522 251 00 7TH	Cashmere beige/cash. beige			
(1)	944 522 252 00	Back seat cushion	/R	1	
		Porsche lettering cloth			
	944 522 252 00 2CZ	Black			
	944 522 252 00 6WC	Classic grey/classic grey			
	944 522 252 00 4GP	Midnight bl./midnight blue			
	944 522 252 00 7SA	Chestnut brown			
		Chestnut brown			
	944 522 252 00 9BE	Marble grey/marble grey			
	944 522 252 00 7TH	Cashmere beige/cash. beige			
2	944 522 251 02	Back seat cushion	/L	1	
		Leatherette			
	944 522 251 02 43S	Black			
	944 522 251 02 5WH	Classic grey			
	944 522 251 02 5HE	Midnight blue			
	944 522 251 02 6PC	Chestnut brown			
	944 522 251 02 7EB	Marble grey			
	944 522 251 02 7RT	Cashmere beige			
(2)	944 522 252 02	Back seat cushion	/R	1	
		Leatherette			
	944 522 252 02 43S	Black			
	944 522 252 02 5WH	Classic grey			
	944 522 252 02 5HE	Midnight blue			
	944 522 252 02 6PC	Chestnut brown			
	944 522 252 02 7EB	Marble grey			
	944 522 252 02 7RT	Cashmere beige			
2	944 522 251 04	Back seat cushion	/L	1	
		Whole-leather			
	944 522 251 04 8YR	Black			
	944 522 251 04 6XL	Classic grey			
	944 522 251 04 H24	Midnight blue			
	944 522 251 04 T15	Chestnut brown			
	944 522 251 04 3QN	Marble grey			
	944 522 251 04 4YU	Cashmere beige			
	944 522 251 04 G43	Provence blue			
	944 522 251 04 K03	Cedar green			
	944 522 251 04 8SE	Flamenco red			
(2)	944 522 252 04	Back seat cushion	/R	1	
		Whole-leather			
	944 522 252 04 8YR	Black			
	944 522 252 04 6XL	Classic grey			
	944 522 252 04 H24	Midnight blue			
	944 522 252 04 T15	Chestnut brown			
	944 522 252 04 3QN	Marble grey			
	944 522 252 04 4YU	Cashmere beige			
	944 522 252 04 G43	Provence blue			
	944 522 252 04 K03	Cedar green			
	944 522 252 04 8SE	Flamenco red			

Model: STZ

Model life 1985>>1998



Model: STZ Model life 1985>>1998

Pos	Part Number	Description	Remark	Qty	Model
1		Back seat Single parts See group 8/04/82	92-93	1	968 CABRIO
2	941 522 225 10	Carpet for Back seat backrest	/L	1	
	941 522 225 10 1DR	Black			
	941 522 225 10 4KF	Marine blue			
	941 522 225 10 L52	Magenta			
	941 522 225 10 D42	Light grey			
	941 522 225 10 G47	Cobalt blue			
	941 522 225 10 D06	Classic grey			
	941 522 225 10 T32	Cashmere beige			
	941 522 225 10 N02	Matador red			
	941 522 225 10 E12	Carrara grey			
	941 522 225 10 J22	Sherwood green			
(2)	941 522 226 10	Carpet for Back seat backrest	/R	1	
	941 522 226 10 1DR	Black			
	941 522 226 10 4KF	Marine blue			
	941 522 226 10 L52	Magenta			
	941 522 226 10 D42	Light grey			
	941 522 226 10 G47	Cobalt blue			
	941 522 226 10 D06	Classic grey			
	941 522 226 10 T32	Cashmere beige			
	941 522 226 10 N02	Matador red			
	941 522 226 10 E12	Carrara grey			
	941 522 226 10 J22	Sherwood green			
3	941 522 267 10	Retaining pivot		2	
4	N 011 111 2	Nut M 12 X 1,5		2	
5	N 011 675 2	Washer B 15		2	
6	477 885 767	Hexagon-head bolt M 6		2	
7	N 011 525 15	Washer 8,4		2	
8	N 013 954 7	Tapping screw 2,9 X 13		2	
9	900 031 101 07	Washer 3,2		2	
10	944 522 517 00	Cover		2	
	944 522 517 00 01C	Satin black			
11	900 910 096 02	Lock nut M 6		2	
12	900 151 006 09	Washer 6,4		2	
13	944 522 243 00	Bearing shell Upper		2	
14	944 522 245 00	Bearing shell Lower		2	
15	941 522 237 10	Bowden cable		2	
16	944 522 281 00	Lock	/L	1	
(16)	944 522 282 00	Lock	/R	1	
17	900 076 010 02	Nut M 6		2	
17	900 076 010 0B	Nut M 6		2	
18	900 075 017 03	Hexagon-head bolt		1	
18	900 075 017 02	Hexagon-head bolt M 6 X 25		1	



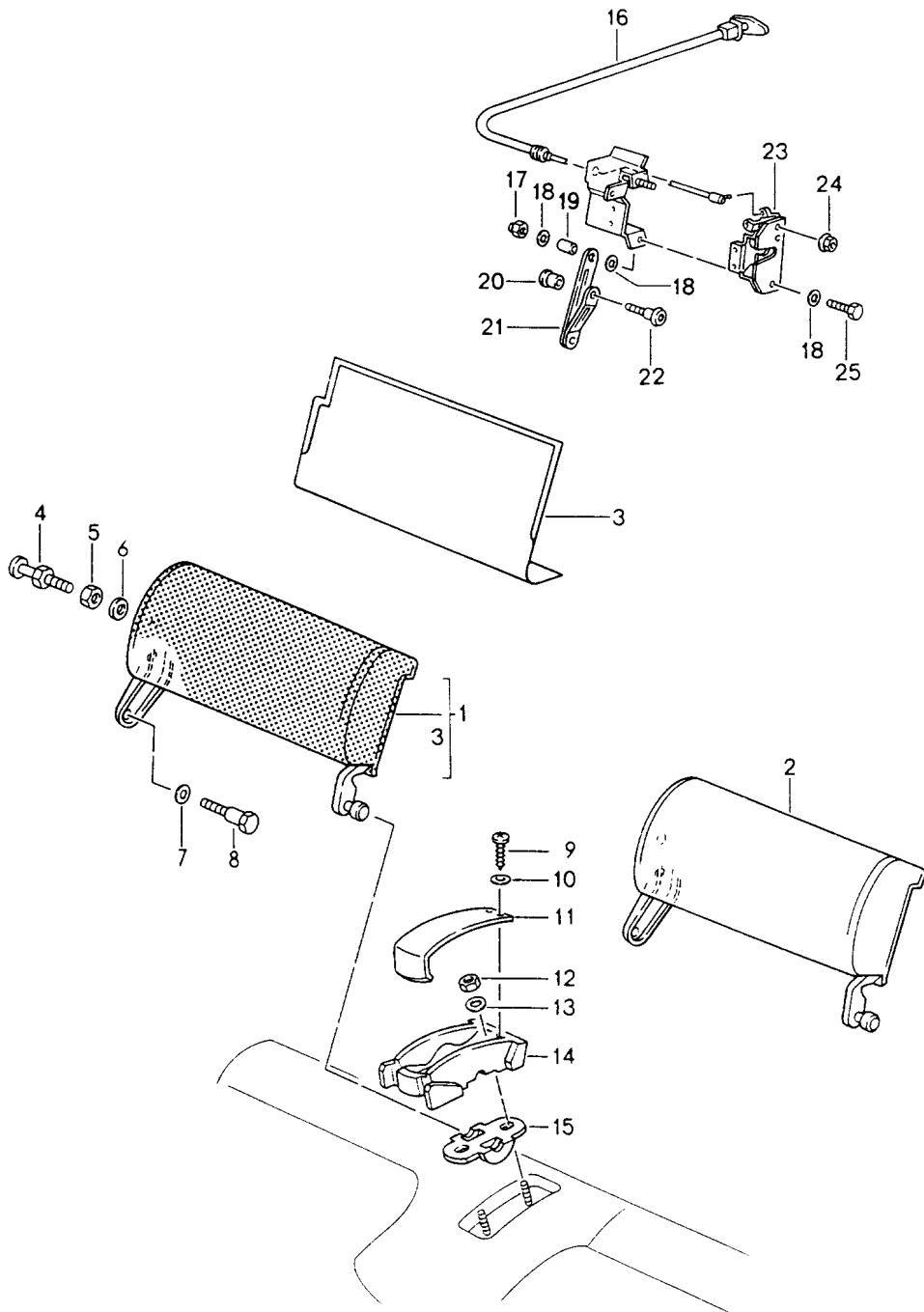
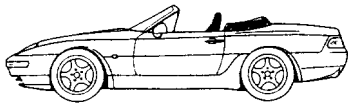
Model: STZ

Model life 1985&gt;&gt;1998

Pos	Part Number	Description	Remark	Qty	Model
18	900 075 017 03	Hexagon-head bolt M 6 X 25		1	
19	900 031 011 02	Washer 6,4		2	
20	941 522 335 10	Sleeve		2	
21	900 084 008 01	Nut M4		2	
22	941 504 847 10	Screw M4 Micro-self-locking		2	
23	941 504 720 10	Bush		2	
24	941 522 131 10	Lever		1	
(24)	941 522 132 10	Lever		1	

Model: STZ

Model life 1985>>1998



Model: STZ Model life 1985>>1998

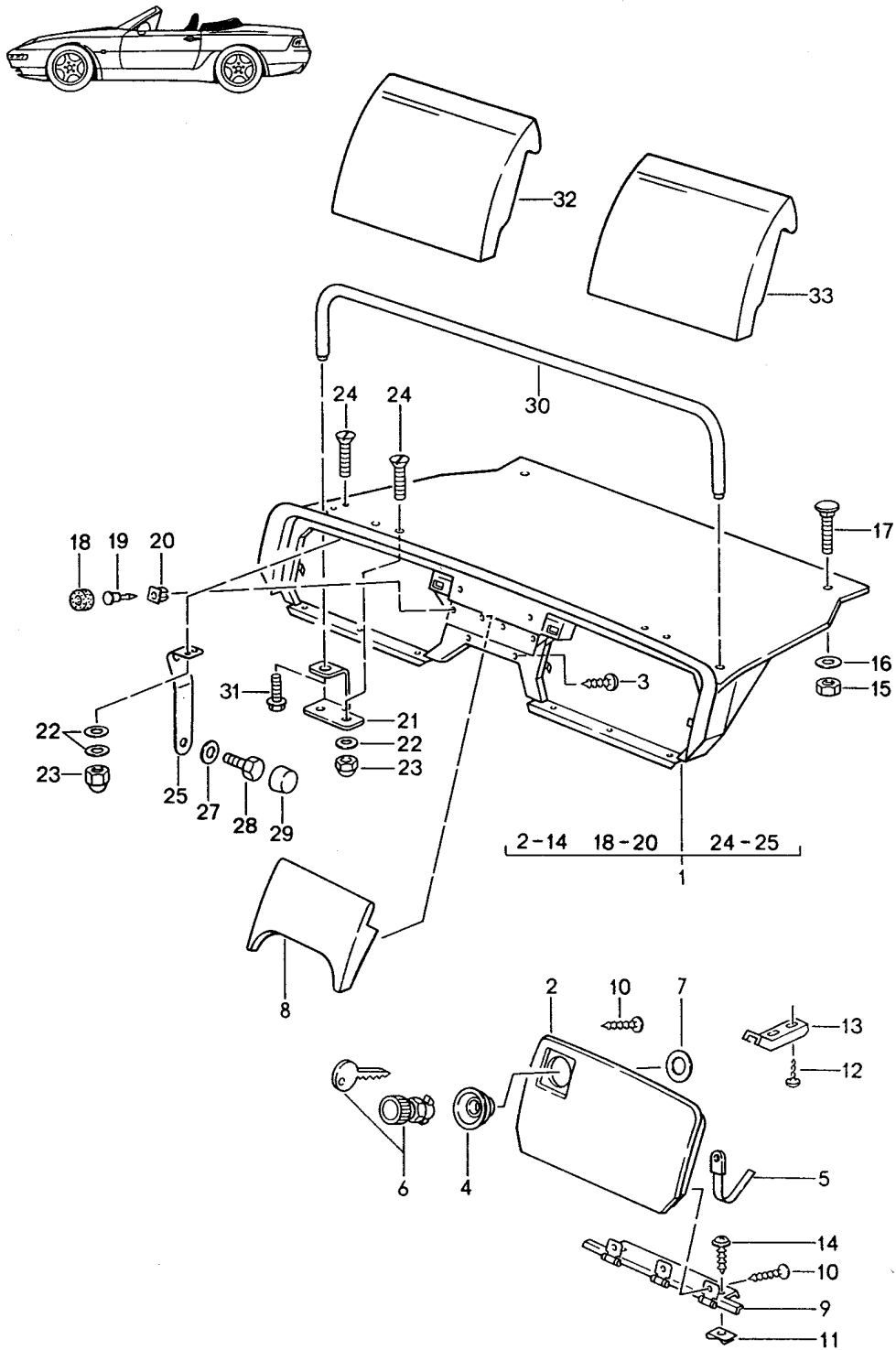
Pos	Part Number	Description	Remark	Qty	Model
		Back seat backrest for Cabriolet	94-95		CABRIO
(1)	941 522 045 11	Backrest Porsche lettering cloth	/L	1	
	941 522 045 11 PX1	Black/black			
	941 522 045 11 APA	Classic grey/classic grey			
	941 522 045 11 DBA	Midnight bl./midnight blue			
	941 522 045 11 DCA	Chestnut brown/			
	941 522 045 11 DDA	Marble grey			
	941 522 045 11 AQZ	Cashmere beige/cash. beige			
1	941 522 046 11	Backrest Porsche lettering cloth	/R	1	
	941 522 046 11 PX1	Black/black			
	941 522 046 11 APA	Classic grey/classic grey			
	941 522 046 11 DBA	Midnight bl./midnight blue			
	941 522 046 11 DCA	Chestnut brown/			
	941 522 046 11 DDA	Marble grey/marble grey			
	941 522 046 11 AQZ	Cashmere beige/cash. beige			
(2)	941 522 045 10	Backrest Leatherette	/L	1	
	941 522 045 10 43S	Black			
	941 522 045 10 5WH	Classic grey			
	941 522 045 10 5HE	Midnight blue			
	941 522 045 10 6PC	Chestnut brown			
	941 522 045 10 7EB	Marble grey			
	941 522 045 10 7RT	Cashmere beige			
2	941 522 046 10	Backrest Leatherette	/R	1	
	941 522 046 10 43S	Black			
	941 522 046 10 5WH	Classic grey			
	941 522 046 10 5HE	Midnight blue			
	941 522 046 10 6PC	Chestnut brown			
	941 522 046 10 7EB	Marble grey			
	941 522 046 10 7RT	Cashmere beige			
(2)	941 522 045 12	Backrest Whole-leather	/L	1	
	941 522 045 12 ATH	Black			
	941 522 045 12 APL	Classic grey			
	941 522 045 12 DBD	Midnight blue			
	941 522 045 12 DCD	Chestnut brown			
	941 522 045 12 DDD	Marble grey			
	941 522 045 12 ATY	Cashmere beige			
	941 522 045 12 DEC	Provence blue			
	941 522 045 12 DEE	Cedar green			
	941 522 045 12 DEF	Flamenco red			
2	941 522 046 12	Backrest Whole-leather	/R	1	
	941 522 046 12 ATH	Black			
	941 522 046 12 APL	Classic grey			
	941 522 046 12 DBD	Midnight blue			
	941 522 046 12 DCD	Chestnut brown			
	941 522 046 12 DDD	Marble grey			
	941 522 046 12 ATY	Cashmere beige			
	941 522 046 12 DEC	Provence blue			
	941 522 046 12 DEE	Cedar green			
	941 522 046 12 DEF	Flamenco red			
(3)	941 522 225 10	Carpet for Back seat backrest	/L	1	
	941 522 225 10 1DR	Black			
	941 522 225 10 D06	Classic grey			
	941 522 225 10 8HP	Midnight blue			

Model: STZ Model life 1985>>1998

Pos	Part Number	Description	Remark	Qty	Model
	941 522 225 10 8RP	Chestnut brown			
	941 522 225 10 2BQ	Marble grey			
	941 522 225 10 T32	Cashmere beige			
	941 522 225 10 7HE	Provence blue			
	941 522 225 10 1JE	Cedar green			
	941 522 225 10 4UP	Flamenco red			
3	941 522 226 10	Carpet for Back seat backrest	/R	1	
	941 522 226 10 1DR	Black			
	941 522 226 10 D06	Classic grey			
	941 522 226 10 8HP	Midnight blue			
	941 522 226 10 8RP	Chestnut brown			
	941 522 226 10 2BQ	Marble grey			
	941 522 226 10 T32	Cashmere beige			
	941 522 226 10 7HE	Provence blue			
	941 522 226 10 1JE	Cedar green			
	941 522 226 10 4UP	Flamenco red			
4	941 522 267 10	Retaining pivot		2	
5	900 078 021 02	Nut M 12 X 1,5		2	
6	N 011 675 2	Washer B 15		2	
7	N 011 525 15	Washer 8,4		2	
8	477 885 767	Hexagon-head bolt M 6		2	
9	N 013 954 7	Tapping screw 2,9 X 13		2	
10	900 031 101 07	Washer 3,2		2	
11	944 522 517 00	Cover		2	
	944 522 517 00 01C	Satin black			
12	900 910 096 02	Lock nut M 6		2	
13	900 151 006 09	Washer 6,4		2	
14	944 522 243 00	Bearing shell Upper		2	
15	944 522 245 00	Bearing shell Lower		2	
16	941 522 237 10	Bowden cable		2	
17	900 084 008 01	Nut M 4		2	
18	900 031 011 02	Washer 6,4		2	
19	941 522 335 10	Sleeve		2	
20	941 504 720 10	Bush		2	
21	941 522 131 10	Lever	/L	1	
(21)	941 522 132 10	Lever	/R	1	
22	941 504 847 10	Screw M 4		2	
23	944 522 281 00	Lock	/L	1	
(23)	944 522 282 00	Lock	/R	1	
24	900 380 013 00	Hexagon nut M 6		2	
25	900 075 017 03	Hexagon-head bolt		1	
25	900 075 017 02	Hexagon-head bolt M 6 X 25		1	
25	900 075 017 03	Hexagon-head bolt M 6 X 25		1	

Model: STZ

Model life 1985>>1998



Model: STZ Model life 1985>>1998

Pos	Part Number	Description	Remark	Qty	Model
1	941 555 143 00	Rear luggage dump Complete	92-93	1	968 CABRIO
	941 555 143 00 1DR	Rear luggage dump Carpet/ Leatherette Black/black			
	941 555 143 00 D06	Classic grey/classic grey			
	941 555 143 00 G47	Cobalt blue/cobalt blue			
	941 555 143 00 L52	Magenta/Magenta			
	941 555 143 00 D42	Light grey/light grey			
	941 555 143 00 T32	Cashmere beige/cash. beige			
	941 555 143 00 4KF	Marine blue/marine blue			
(1)	941 555 143 01	Rear luggage dump Carpet/ Leather		1	
	941 555 143 01 1DR	Black/black			
	941 555 143 01 D06	Classic grey/classic grey			
	941 555 143 01 G47	Cobalt blue/cobalt blue			
	941 555 143 01 L52	Magenta/Magenta			
	941 555 143 01 D42	Light grey/light grey			
	941 555 143 01 T32	Cashmere beige/cash. beige			
	941 555 143 01 4KF	Marine blue/marine blue			
	941 555 143 01 N02	Matador red/matador red			
	941 555 143 01 E12	Carrara grey/carrara grey			
	941 555 143 01 J22	Sherwood gr./sherw. green			
(2)	964 555 921 00	Lid Leatherette	/L	1	
	964 555 921 00 05T	Black			
	964 555 921 00 2WJ	Classic grey			
	964 555 921 00 9ZH	Cobalt blue			
	964 555 921 00 4WY	Magenta			
	964 555 921 00 1ZU	Light grey			
	964 555 921 00 7RT	Cashmere beige			
	964 555 921 00 1KX	Marine blue			
2	964 555 922 00	Lid Leatherette	/R	1	
	964 555 922 00 05T	Black			
	964 555 922 00 2WJ	Classic grey			
	964 555 922 00 9ZH	Cobalt blue			
	964 555 922 00 4WY	Magenta			
	964 555 922 00 1ZU	Light grey			
	964 555 922 00 7RT	Cashmere beige			
	964 555 922 00 1KX	Marine blue			
(2)	964 555 921 01	Lid Whole-leather		1	
	964 555 921 01 1AJ	Black			
	964 555 921 01 6XL	Classic grey			
	964 555 921 01 9YL	Cobalt blue			
	964 555 921 01 6YL	Magenta			
	964 555 921 01 8ZL	Light grey			
	964 555 921 01 4YU	Cashmere beige			
	964 555 921 01 H05	Marine blue			
	964 555 921 01 M05	Matador red			
	964 555 921 01 D35	Carrara grey			
	964 555 921 01 J25	Sherwood green			
2	964 555 922 01	Lid Whole-leather		1	
	964 555 922 01 1AJ	Black			
	964 555 922 01 6XL	Classic grey			
	964 555 922 01 9YL	Cobalt blue			
	964 555 922 01 6YL	Magenta			
	964 555 922 01 8ZL	Light grey			
	964 555 922 01 4YU	Cashmere beige			

Model: STZ Model life 1985>>1998

Pos	Part Number	Description	Remark	Qty	Model
	964 555 922 01 H05	Marine blue			
	964 555 922 01 M05	Matador red			
	964 555 922 01 D35	Carrara grey			
	964 555 922 01 J25	Sherwood green			
3	999 919 050 02	Oval-head screw 4,0 X 12		4	
4	964 552 312 00	Rosette		2	
	964 552 312 00 01C	Satin black			
5	964 555 515 00	Securing strap		4	
6	941 538 003 10	Set of locks		1	
	941 538 003 10 01C	Satin black with 2 Key			
7	999 025 200 07	Washer 21,3 X 40 X 1		2	
8	941 555 463 10	Centre part Leatherette		1	
	941 555 463 10 05T	Black			
	941 555 463 10 2WJ	Classic grey			
	941 555 463 10 9ZH	Cobalt blue			
	941 555 463 10 4WY	Magenta			
	941 555 463 10 1ZU	Light grey			
	941 555 463 10 7RT	Cashmere beige			
	941 555 463 10 1KX	Marine blue			
8	941 555 463 11	Centre part Leather		1	
	941 555 463 11 1AJ	Black			
	941 555 463 11 6XL	Classic grey			
	941 555 463 11 9YL	Cobalt blue			
	941 555 463 11 6YL	Magenta			
	941 555 463 11 8ZL	Light grey			
	941 555 463 11 4YU	Cashmere beige			
	941 555 463 11 H05	Marine blue			
	941 555 463 11 M05	Matador red			
	941 555 463 11 D35	Carrara grey			
	941 555 463 11 J25	Sherwood green			
9	964 555 487 00	Hinge		2	
10	999 919 105 07	Countersunk-head screw 4,0 X 12		20	
11	999 507 023 02	Speed nut B 4,8		6	
11	999 507 023 01	Speed nut B 4,8		6	
12	900 316 002 07	Screw 4,0 X 12		4	
13	941 555 853 10	Closing element		2	
14	900 143 152 07	Combination screw		6	
15	N 011 005 14	Hexagon nut M 5		2	
15	900 076 091 01	Hexagon nut M 5		2	
16	900 151 027 02	Washer B 5,3 X 15 X 1,6		2	
16	900 151 027 03	Washer B 5,3 X 15 X 1,6		2	
17	900 050 022 02	Round head screw M 5 X 30		2	
18	944 552 259 00	Plug		2	
19	N 902 662 01	Combination tapping screw B 3,5 X 16		4	
20	999 591 679 40	Special nut B 4,2		4	

Model: STZ Model life 1985>>1998

Pos	Part Number	Description	Remark	Qty	Model
(21)	941 555 679 10	Retainer plate		1	
21	941 555 680 10	Retainer plate		1	
22	900 223 006 02	Washer		8	
23	900 096 016 07	Cap nut		8	
24	900 269 065 02	Countersunk-head screw M 4 X 22		8	
25	941 555 627 10	Support		2	
27	999 025 113 02	Washer 11,5 X 21 X 2		2	
28	111 857 799 A	Hexagon-head bolt		2	
28	3B0 857 799	Hexagon-head bolt		2	
29	811 857 845	Cap		2	
	811 857 845 01C	Satin black			
30	941 555 601 10	Protective bracket		1	
31	999 074 031 02	Hexagon-head bolt		2	
32	941 522 046 10	Backrest		1	
		Leatherette/carpet			
	941 522 046 10 43S	Black/black			
	941 522 046 10 5WH	Classic grey/classic grey			
	941 522 046 10 5ZF	Cobalt blue/cobalt blue			
	941 522 046 10 9WX	Magenta/Magenta			
	941 522 046 10 1KX	Marine blue/marine blue			
	941 522 046 10 CFS	Black/light grey			
	941 522 046 10 CJA	Classic grey/light grey			
	941 522 046 10 CJB	Cobalt blue/light grey			
	941 522 046 10 CJC	Magenta/light grey			
	941 522 046 10 CFT	Black/cashmere beige			
	941 522 046 10 CFU	Black/matador red			
	941 522 046 10 CFV	Black/carrara grey			
	941 522 046 10 CFW	Black/sherwood green			
33	941 522 045 10	Backrest		1	
		Leatherette/carpet			
	941 522 045 10 43S	Black/black			
	941 522 045 10 5WH	Classic grey/classic grey			
	941 522 045 10 5ZF	Cobalt blue/cobalt blue			
	941 522 045 10 9WX	Magenta/Magenta			
	941 522 045 10 1KX	Marine blue/marine blue			
	941 522 045 10 CFS	Black/light grey			
	941 522 045 10 CJA	Classic grey/light grey			
	941 522 045 10 CJB	Cobalt blue/light grey			
	941 522 045 10 CJC	Magenta/light grey			
	941 522 045 10 CFT	Black/cashmere beige			
	941 522 045 10 CFU	Black/matador red			
	941 522 045 10 CFV	Black/carrara grey			
	941 522 045 10 CFW	Black/sherwood green			





Model: STZ Model life 1985>>1998

Pos	Part Number	Description	Remark	Qty	Model
1	941 555 143 00	Rear luggage dump Complete	94-95	1	968 CABRIO
	941 555 143 00 1DR	Rear luggage dump Carpet/ Leatherette Black/black			
	941 555 143 00 D06	Classic grey/classic grey			
	941 555 143 00 8HP	Midnight bl./midnight blue			
	941 555 143 00 8RP	Chestnut brown/ Chestnut brown			
	941 555 143 00 2BQ	Marble grey/marble grey			
	941 555 143 00 T32	Cashmere beige/cash. beige			
(1)	941 555 143 01	Rear luggage dump Carpet/ Leather		1	
	941 555 143 01 1DR	Black/black			
	941 555 143 01 D06	Classic grey/classic grey			
	941 555 143 01 8HP	Midnight bl./midnight blue			
	941 555 143 01 8RP	Chestnut brown Chestnut brown			
	941 555 143 01 2BQ	Marble grey/marble grey			
	941 555 143 01 T32	Cashmere beige/cash. beige			
	941 555 143 01 7HE	Provence blue/provence bl.			
	941 555 143 01 1JE	Cedar green/cedar green			
	941 555 143 01 4UP	Flamenco red/flamenco red			
2	964 555 921 00	Lid Leatherette	/L	1	
	964 555 921 00 05T	Black			
	964 555 921 00 2WJ	Classic grey			
	964 555 921 00 9ZH	Midnight blue			
	964 555 921 00 4WY	Chestnut brown			
	964 555 921 00 1ZU	Marble grey			
	964 555 921 00 7RT	Cashmere beige			
(2)	964 555 922 00	Lid Leatherette	/R	1	
	964 555 922 00 05T	Black			
	964 555 922 00 2WJ	Classic grey			
	964 555 922 00 9ZH	Midnight blue			
	964 555 922 00 4WY	Chestnut brown			
	964 555 922 00 1ZU	Marble grey			
	964 555 922 00 7RT	Cashmere beige			
2	964 555 921 01	Lid Whole-leather	/L	1	
	964 555 921 01 8YR	Black			
	964 555 921 01 6XL	Classic grey			
	964 555 921 01 H24	Midnight blue			
	964 555 921 01 T15	Chestnut brown			
	964 555 921 01 3QN	Marble grey			
	964 555 921 01 4YU	Cashmere beige			
	964 555 921 01 G43	Provence blue			
	964 555 921 01 K03	Cedar green			
	964 555 921 01 8SE	Flamenco red			
(2)	964 555 922 01	Lid Whole-leather	/R	1	
	964 555 922 01 8YR	Black			
	964 555 922 01 6XL	Classic grey			
	964 555 922 01 H24	Midnight blue			
	964 555 922 01 T15	Chestnut brown			
	964 555 922 01 3QN	Marble grey			
	964 555 922 01 4YU	Cashmere beige			
	964 555 922 01 G43	Provence blue			
	964 555 922 01 K03	Cedar green			
	964 555 922 01 8SE	Flamenco red			

Model: STZ Model life 1985>>1998

Pos	Part Number	Description	Remark	Qty	Model
3	999 919 050 02	Oval-head screw 4,0 X 12		4	
4	964 552 312 00	Rosette		2	
	964 552 312 00 01C	Satin black			
5	964 555 515 00	Securing strap		4	
6	941 538 003 10	Set of locks		1	
	941 538 003 10 01C	Satin black with 2 Key			
7	999 025 200 07	Washer 21,3 X 40 X 1		2	
8	941 555 463 10	Centre part Leatherette		1	
	941 555 463 10 05T	Black			
	941 555 463 10 2WJ	Classic grey			
	941 555 463 10 9ZH	Midnight blue			
	941 555 463 10 4WY	Chestnut brown			
	941 555 463 10 1ZU	Marble grey			
	941 555 463 10 7RT	Cashmere beige			
(8)	941 555 463 11	Centre part Whole-leather		1	
	941 555 463 11 8YR	Black			
	941 555 463 11 6XL	Classic grey			
	941 555 463 11 H24	Midnight blue			
	941 555 463 11 T15	Chestnut brown			
	941 555 463 11 3QN	Marble grey			
	941 555 463 11 4YU	Cashmere beige			
	941 555 463 11 G43	Provence blue			
	941 555 463 11 K03	Cedar green			
	941 555 463 11 8SE	Flamenco red			
9	964 555 487 00	Hinge		2	
10	999 919 105 07	Countersunk-head screw 4,0 X 12		20	
11	999 507 023 02	Speed nut B 4,8		6	
11	999 507 023 01	Speed nut B 4,8		6	
12	900 316 002 07	Screw 4,0 X 12		4	
13	941 555 853 10	Closing element		2	
14	999 073 060 02	Tapping screw		6	
15	900 076 091 01	Hexagon nut		2	
15	N 011 005 14	Hexagon nut M 5		2	
15	900 076 091 01	Hexagon nut M 5		2	
16	900 151 027 03	Washer		2	
16	900 151 027 02	Washer B 5,3 X 15 X 1,6		2	
16	900 151 027 03	Washer B 5,3 X 15 X 1,6		2	
17	900 050 022 02	Round head screw M 5 X 30		2	
18	944 552 259 00	Plug		2	
19	N 902 662 01	Combination tapping screw B 3,5 X 16		4	
20	999 591 679 40	Special nut B 4,2		4	
21	941 555 679 10	Retainer plate		1	
(21)	941 555 680 10	Retainer plate		1	
22	900 223 006 02	Washer		8	
23	900 096 016 07	Cap nut		8	

Model: STZ

Model life 1985&gt;&gt;1998

Pos	Part Number	Description	Remark	Qty	Model
24	900 269 065 02	Countersunk-head screw M 4 X 22		8	
25	941 555 627 10	Support		2	
27	999 025 113 02	Washer 11,5 X 21 X 2		2	
28	111 857 799 A	Hexagon-head bolt		2	
28	3B0 857 799	Hexagon-head bolt		2	
29	811 857 845	Cap		2	
	811 857 845 01C	Satin black			
30	941 555 601 10	Protective bracket		1	
31	999 074 031 02	Hexagon-head bolt		2	



Model: STZ Model life 1985>>1998

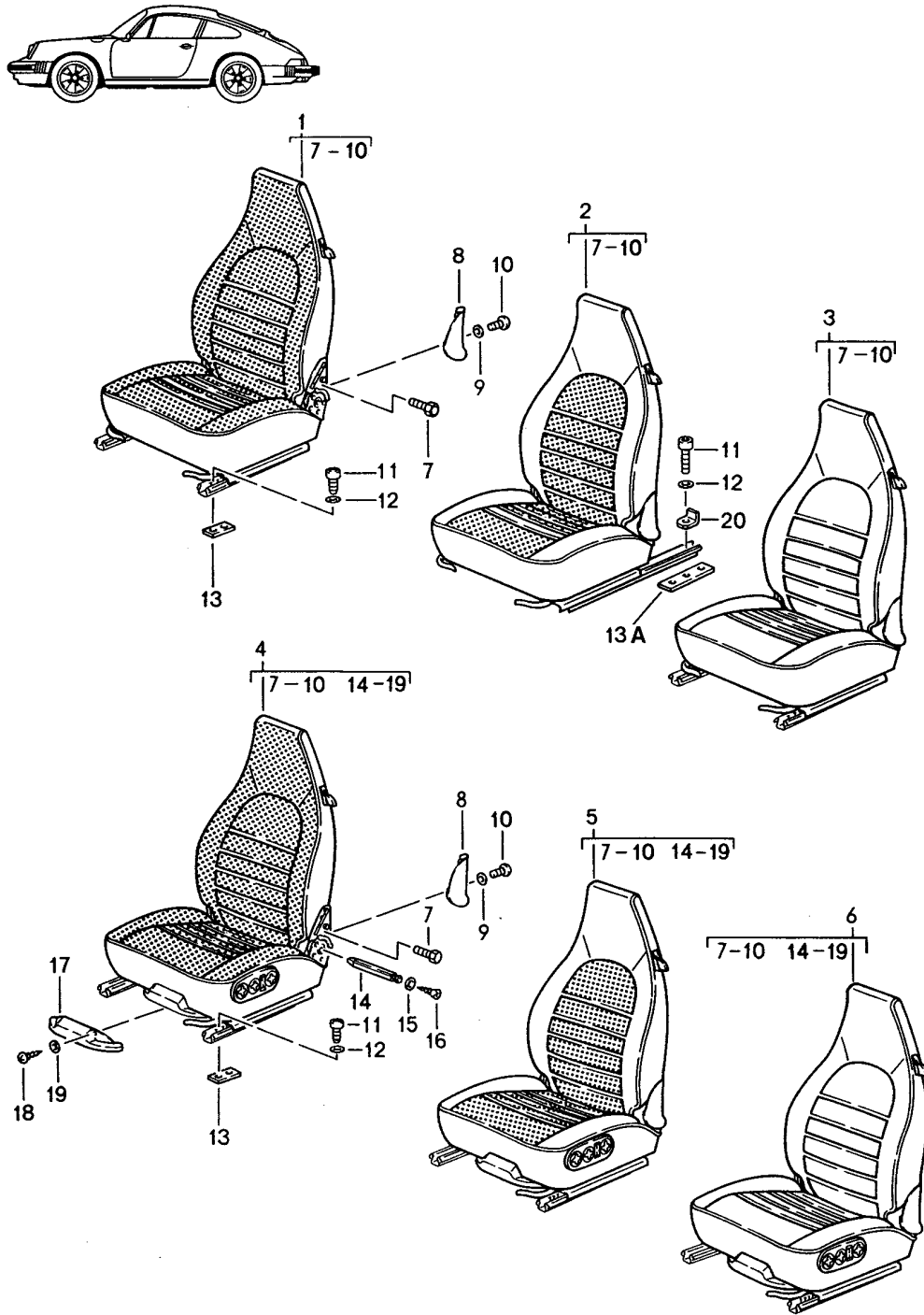
Pos	Part Number	Description	Remark	Qty	Model
1	964 521 501 00	Bucket seat Complete with Corduroy cloth Cover Cup Unvarnished	93-94	1	968 CS M384/385
1B	944 521 003 60	Bucket seat Complete Corduroy cloth Black Cup	/L	1	
	944 521 003 60 CJF	Guards red			
	944 521 003 60 CJG	Grand prix white			
	944 521 003 60 CJN	Speed yellow			
	944 521 003 60 CJS	Maritime blue	93		
	944 521 003 60 CJT	Black			
	944 521 003 60 CJY	Riviera blue	94-		
1B	944 521 004 60	Bucket seat Complete Corduroy cloth Black Cup	/R	1	
	944 521 004 60 CJF	Guards red			
	944 521 004 60 CJG	Grand prix white			
	944 521 004 60 CJN	Speed yellow			
	944 521 004 60 CJS	Maritime blue	93		
	944 521 004 60 CJT	Black			
	944 521 004 60 CJY	Riviera blue	94-		
2	964 521 577 02	Insert Bucket seat		1	
2	964 521 577 01	Insert Bucket seat Corduroy cloth Black		1	
	964 521 577 01 B80	Black			
3	964 521 753 00	Damping mat		1	
4	964 521 755 01	Foam part Lateral		2	
5	964 521 757 00	Foam part Lateral		2	
6	964 521 759 00	Foam part Head rest		1	
7	944 521 517 00	Cover Seat Corduroy cloth Black		1	
	944 521 517 00 B80	Black			
8	964 521 920 00	Tension wire		1	
9	964 521 823 00	Tensioning spring		1	
10	964 521 793 01	Desk pad Backrest		1	
11	944 521 319 00	Backrest cushion Corduroy cloth Black		1	
	944 521 319 00 B80	Black			
12	944 521 323 00	Seat cushion Corduroy cloth Black		1	
	944 521 323 00 B80	Black			
13	964 521 819 01	Adapter	/L	1	
14	964 521 820 01	Adapter	/R	1	
15	999 093 010 07	Hexagon-head bolt M 8 X 20		4	
16	964 521 855 00	Cover		4	
	964 521 855 00 01C	Satin black			
17	900 146 131 07	Oval-head screw		8	

Model: STZ Model life 1985&gt;&gt;1998

Pos	Part Number	Description	Remark	Qty	Model
18	928 521 492 08	M 3,5 X 6 Seat rail Left seat Inner		1	
(18)	928 521 491 08	Seat rail Right seat Inner		1	
19	928 521 489 10	Seat rail Left seat Outer		1	
(19)	928 521 490 10	Seat rail Right seat Outer		1	
20	928 521 525 03	Connecting rod		1	
21	N 902 514 01	Clamping sleeve		2	
22	N 902 515 01	Guide bush		2	
23	911 521 533 01	Handle		1	
	911 521 533 01 01C	Satin black			
24	964 521 065 00	Support for Seat-belt buckle		1	
25	900 025 007 03	Washer		6	
25	900 025 007 02	Washer A 8,4		6	
25	900 025 007 03	Washer A 8,4		6	
26	900 186 135 02	Pan-head screw M 8 X 20		6	
27	999 025 231 03	Washer 8 X 27 X 3		4	
27	999 025 231 01	Washer 8 X 27 X 3		4	
28	900 119 030 02	Pan-head screw M 8 X 20		6	
29	900 089 006 02	Washer 8,0		6	
29	900 089 006 01	Washer 8,0		6	
30	964 521 701 00	Threaded plate Front 2 X M 8		2	
31	999 028 014 02	Spring washer		1	
32	964 803 183 00	Seat-belt buckle		1	
	964 803 183 00 70B	Black Passenger's side			
(32)	964 803 183 01	Seat-belt buckle		1	
	964 803 183 01 70B	Black Driver's side			
33	N 011 655 2	Washer		1	
34	959 803 701 00	Hexagon-head bolt		1	
34	959 803 701 01	Hexagon-head bolt		1	

Model: STZ

Model life 1985>>1998





Model: STZ Model life 1985>>1998

Pos	Part Number	Description	Remark	Qty	Model
(1)	928 521 002 11	Front seat Complete Standard seat Manually adjustable Leatherette/ Seat and backrest surface Pin stripe velour	85-86 /LL /R	1	911 CARRERA TURBO CARRERA
	928 521 002 11 NY5	Black/ Black-white			
	928 521 002 11 NY7	Brown/ Brown-beige			
	928 521 002 11 QA3	Blue/ Blue-white			
	928 521 002 11 NY8	Burgundy/ Burgundy-white			
	928 521 002 11 QA4	Greyish green/ Greyish green-white			
	928 521 002 11 RU3	Grey-beige/ Grey-beige-white	86		
(1)	928 521 002 11	Standard seat Manually adjustable Leatherette/ Seat and backrest surface Pin stripe flannel	/LL /R	1	CARRERA
	928 521 002 11 NY9	Black/anthracite			
	928 521 002 11 NZ6	Brown/brown			
	928 521 002 11 QA6	Blue/blue			
	928 521 002 11 NZ5	Burgundy/burgundy			
	928 521 002 11 QA5	Greyish green/grey-green			
(1)	928 521 002 11	Standard seat Manually adjustable Leatherette/ Seat and backrest surface Porsche lettering cloth	/LL /R	1	CARRERA
	928 521 002 11 PX2	Black/black			
	928 521 002 11 PX4	Brown/brown			
	928 521 002 11 PX7	Blue/blue			
	928 521 002 11 PX6	Burgundy/burgundy			
	928 521 002 11 PX8	Greyish green/grey-green			
	928 521 002 11 QD9	Grey-beige/grey-beige	86		
(2)	928 521 002 62	Standard seat Manually adjustable Leatherette/leather Centre part in cloth Pin stripe velour	/LL /R	1	CARRERA
	928 521 002 62 PY1	Black/black Black-white			
	928 521 002 62 PY2	Brown/brown Brown-beige			
	928 521 002 62 PY3	Blue/blue Blue-white			
	928 521 002 62 PY4	Burgundy/burgundy Burgundy-white			
	928 521 002 62 PY5	Greyish green/grey-green Greyish green-white			
	928 521 002 62 RU4	Grey-beige/grey-beige Grey-beige-white	86		
(2)	928 521 002 62	Standard seat Manually adjustable Leatherette/leather Centre part in cloth Pin stripe flannel	/LL /R	1	CARRERA
	928 521 002 62 PZ2	Black/black			

Model: STZ Model life 1985>>1998

Pos	Part Number	Description	Remark	Qty	Model
	928 521 002 62 PZ3	Anthracite Brown/brown			
	928 521 002 62 PZ4	Brown Blue/blue			
	928 521 002 62 PZ5	Blue Burgundy/burgundy			
	928 521 002 62 PZ6	Burgundy Greyish green/grey-green			
(2)	928 521 002 62	Greyish green Standard seat Manually adjustable Leatherette/leather Centre part in cloth Porsche lettering cloth	/LL /R	1	CARRERA
	928 521 002 62 PZ7	Black/black Black			
	928 521 002 62 PZ8	Brown/brown Brown			
	928 521 002 62 PZ9	Blue/blue Blue			
	928 521 002 62 QA1	Burgundy/burgundy Burgundy			
	928 521 002 62 QA2	Greyish green/grey-green Greyish green			
	928 521 002 62 RU2	Grey-beige/grey-beige Grey-beige	86		
(2)	928 521 002 66	Standard seat Manually adjustable Leather/ Centre part in cloth Pin stripe velour	/LL /R	1	CARRERA
	928 521 002 66 LS5	Black/ Black-white			
	928 521 002 66 LS6	Brown/ Brown-beige			
	928 521 002 66 LS8	Blue/ Blue-white			
	928 521 002 66 LS9	Burgundy/ Burgundy-white			
	928 521 002 66 QA7	Greyish green/ Greyish green-white			
	928 521 002 66 LS7	Grey-beige/ Grey-beige-white	86		
(2)	928 521 002 66	Standard seat Manually adjustable Leather/ Centre part in cloth Pin stripe flannel	/LL /R	1	CARRERA
	928 521 002 66 QB1	Black/anthracite			
	928 521 002 66 QB3	Brown/brown			
	928 521 002 66 QB5	Blue/blue			
	928 521 002 66 QB7	Burgundy/burgundy			
	928 521 002 66 QA8	Greyish green/grey-green			
(2)	928 521 002 66	Standard seat Manually adjustable Leather/ Centre part Porsche lettering cloth	/LL /R	1	CARRERA
	928 521 002 66 QB2	Black/black			
	928 521 002 66 QB4	Brown/brown			
	928 521 002 66 QB6	Blue/blue			
	928 521 002 66 QB8	Burgundy/burgundy			
	928 521 002 66 QA9	Greyish green/grey-green			

Model: STZ Model life 1985>>1998

Pos	Part Number	Description	Remark	Qty	Model
(3)	928 521 002 66 RU1	Grey-beige/grey-beige	86	1	CARRERA
	928 521 002 63	Front seat	/LL /R		
		Manually adjustable			
		Leatherette/ Seat and backrest surface			
		Leather			
	928 521 002 63 JN3	Black/black			
	928 521 002 63 JN4	Cadbury brown			
	928 521 002 63 QC1	Blue			
	928 521 002 63 NZ8	Burgundy			
	928 521 002 63 PX9	Greyish green			
(3)	928 521 002 63 JN5	Grey-beige	86	1	CARRERA
	928 521 002 64	Front seat	/LL /R		
		Manually adjustable			
		Whole-leather			
	928 521 002 64 KZ2	Black			
	928 521 002 64 KZ5	Cadbury brown			
	928 521 002 64 KZ3	Blue			
	928 521 002 64 LG7	Burgundy			
	928 521 002 64 QC2	Greyish green			
	928 521 002 64 KZ6	Can-can-red			
4	928 521 002 64 LG4	Pearl white		1	TURBO CARRERA
	928 521 002 64 LG5	Champagne			
	928 521 002 64 LG6	Dark green			
	928 521 002 64 PY9	Ocean blue			
	928 521 002 64 PZ1	Wild buffalo			
	928 521 002 64 KZ4	Grey-beige	86		
	928 521 003 01	Comfort seat	/L		
		All-electric	/LL /L		
		Leatherette/ Seat and backrest surface			
		Pin stripe velour			
(4)	928 521 003 01 NY5	Black/ Black-white		1	TURBO
	928 521 003 01 NY7	Brown/ Brown-beige			
	928 521 003 01 QA3	Blue/ Blue-white			
	928 521 003 01 NY8	Burgundy/ Burgundy-white			
	928 521 003 01 QA4	Greyish green/ Greyish green-white			
	928 521 003 01 RU3	Grey-beige/ Grey-beige-white	86		
	928 521 004 01	Comfort seat	/R		
		All-electric			
		Leatherette/ Seat and backrest surface			
		Pin stripe velour			
4	928 521 004 01 NY5	Black/ Black-white		1	TURBO
	928 521 004 01 NY7	Brown/ Brown-beige			
	928 521 004 01 QA3	Blue/ Blue-white			
	928 521 004 01 NY8	Burgundy/ Burgundy-white			
	928 521 004 01 QA4	Greyish green/ Greyish green-white			
	928 521 004 01 RU3	Grey-beige/grey-beige Grey-beige-white	86		
	928 521 003 03	Comfort seat	/L		
		All-electric			

Model: STZ Model life 1985>>1998

Pos	Part Number	Description	Remark	Qty	Model
		with heating Leatherette/ Seat and backrest surface Pin stripe velour	/LL /L		CARRERA
	928 521 003 03 NY5	Black/ Black-white			
	928 521 003 03 NY7	Brown/ Brown-beige			
	928 521 003 03 QA3	Blue/ Blue-white			
	928 521 003 03 NY8	Burgundy/ Burgundy-white			
	928 521 003 03 QA4	Greyish green/ Greyish green-white			
	928 521 003 03 RU3	Grey-beige/grey-beige Grey-beige-white	86		
(4)	928 521 004 03	Comfort seat All-electric with heating Leatherette/ Seat and backrest surface Pin stripe velour	/R	1	TURBO
	928 521 004 03 NY5	Black/ Black-white			
	928 521 004 03 NY7	Brown/ Brown-beige			
	928 521 004 03 QA3	Blue/ Blue-white			
	928 521 004 03 NY8	Burgundy/ Burgundy-white			
	928 521 004 03 QA4	Greyish green/ Greyish green-white			
	928 521 004 03 RU3	Grey-beige/grey-beige Grey-beige-white	86		
4	928 521 003 01	Comfort seat All-electric Leatherette/ Seat and backrest surface Pin stripe flannel	/L /LL /L	1	TURBO CARRERA
	928 521 003 01 NY9	Black/anthracite			
	928 521 003 01 NZ6	Brown/brown			
	928 521 003 01 QA6	Blue/blue			
	928 521 003 01 NZ5	Burgundy/burgundy			
	928 521 003 01 QA5	Greyish green/grey-green			
(4)	928 521 004 01	Comfort seat All-electric Leatherette/ Seat and backrest surface Pin stripe flannel	/R	1	TURBO
	928 521 004 01 NY9	Black/anthracite			
	928 521 004 01 NZ6	Brown/brown			
	928 521 004 01 QA6	Blue/blue			
	928 521 004 01 NZ5	Burgundy/burgundy			
	928 521 004 01 QA5	Greyish green/grey-green			
4	928 521 003 03	Comfort seat All-electric with heating Leatherette/ Seat and backrest surface Pin stripe flannel	/L /LL /L	1	TURBO CARRERA
	928 521 003 03 NY9	Black/anthracite			
	928 521 003 03 NZ6	Brown/brown			
	928 521 003 03 QA6	Blue/blue			

Model: STZ Model life 1985>>1998

Pos	Part Number	Description	Remark	Qty	Model
(4)	928 521 003 03 NZ5	Burgundy/burgundy		1	TURBO
	928 521 003 03 QA5	Greyish green/grey-green			
	928 521 004 03	Comfort seat	/R		
		All-electric with heating			
		Leatherette/Seat and backrest surface			
		Pin stripe flannel			
	928 521 004 03 NY9	Black/anthracite			
	928 521 004 03 NZ6	Brown/brown			
	928 521 004 03 QA6	Blue/blue			
	928 521 004 03 NZ5	Burgundy/burgundy			
4	928 521 004 03 QA5	Greyish green/grey-green		1	TURBO CARRERA
	928 521 003 01	Comfort seat	/L		
		All-electric	/LL /L		
		Leatherette/Seat and backrest surface			
		Porsche lettering cloth			
	928 521 003 01 PX2	Black/black			
	928 521 003 01 PX4	Brown/brown			
	928 521 003 01 PX7	Blue/blue			
	928 521 003 01 PX6	Burgundy/burgundy			
	928 521 003 01 PX8	Greyish green/grey-green			
(4)	928 521 003 01 QD9	Grey-beige/grey-beige	86	1	TURBO
	928 521 004 01	Comfort seat	/R		
		All-electric			
		Leatherette/Seat and backrest surface			
		Porsche lettering cloth			
	928 521 004 01 PX2	Black/black			
	928 521 004 01 PX4	Brown/brown			
	928 521 004 01 PX7	Blue/blue			
	928 521 004 01 PX6	Burgundy/burgundy			
	928 521 004 01 PX8	Greyish green/grey-green			
4	928 521 004 01 QD9	Grey-beige/grey-beige	86	1	TURBO CARRERA
	928 521 003 03	Comfort seat	/L		
		All-electric with heating	/LL /L		
		Leatherette/Seat and backrest surface			
		Porsche lettering cloth			
	928 521 003 03 PX2	Black/black			
	928 521 003 03 PX4	Brown/brown			
	928 521 003 03 PX7	Blue/blue			
	928 521 003 03 PX6	Burgundy/burgundy			
	928 521 003 03 PX8	Greyish green/grey-green			
(4)	928 521 003 03 QD9	Grey-beige/grey-beige	86	1	TURBO
	928 521 004 03	Comfort seat	/R		
		All-electric with heating			
		Leatherette/Seat and backrest surface			
		Porsche lettering cloth			
	928 521 004 03 PX2	Black/black			
	928 521 004 03 PX4	Brown/brown			
	928 521 004 03 PX7	Blue/blue			
	928 521 004 03 PX6	Burgundy/burgundy			
	928 521 004 03 PX8	Greyish green/grey-green			
5	928 521 004 03 QD9	Grey-beige/grey-beige	86	1	M437
	928 521 003 50	Comfort seat	/L		
		All-electric			
		Leatherette/leather			
		Centre part in cloth			

Model: STZ Model life 1985>>1998

Pos	Part Number	Description	Remark	Qty	Model
	928 521 003 50 PY1	Pin stripe velour Black/black			
	928 521 003 50 PY2	Black-white Brown/brown			
	928 521 003 50 PY3	Brown-beige Blue/blue			
	928 521 003 50 PY4	Blue-white Burgundy/burgundy			
	928 521 003 50 PY5	Burgundy-white Greyish green/grey-green			
	928 521 003 50 RU4	Greyish green-white Grey-beige/grey-beige	86		
(5)	928 521 004 50	Grey-beige-white Comfort seat	/R	1	M438
		All-electric Leatherette/leather			
		Centre part in cloth Pin stripe velour			
	928 521 004 50 PY1	Black/black			
	928 521 004 50 PY2	Black-white Brown/brown			
	928 521 004 50 PY3	Brown-beige Blue/blue			
	928 521 004 50 PY4	Blue-white Burgundy/burgundy			
	928 521 004 50 PY5	Burgundy-white Greyish green/grey-green			
	928 521 004 50 RU4	Greyish green-white Grey-beige/grey-beige	86		
5	928 521 003 55	Grey-beige-white Comfort seat	/L	1	M437
		All-electric with heating			
		Leatherette/leather Centre part in cloth			
		Pin stripe velour			
	928 521 003 55 PY1	Black/black			
	928 521 003 55 PY2	Black-white Brown/brown			
	928 521 003 55 PY3	Brown-beige Blue/blue			
	928 521 003 55 PY4	Blue-white Burgundy/burgundy			
	928 521 003 55 PY5	Burgundy-white Greyish green/grey-green			
	928 521 003 55 RU4	Greyish green-white Grey-beige/grey-beige	86		
(5)	928 521 004 55	Grey-beige-white Comfort seat	/R	1	M438
		All-electric with heating			
		Leatherette/leather Centre part in cloth			
		Pin stripe velour			
	928 521 004 55 PY1	Black/black			
	928 521 004 55 PY2	Black-white Brown/brown			
	928 521 004 55 PY3	Brown-beige Blue/blue			
	928 521 004 55 PY4	Blue-white Burgundy/burgundy			
	928 521 004 55 PY5	Burgundy-white Greyish green/grey-green			

Model: **STZ** Model life **1985>>1998**

Pos	Part Number	Description	Remark	Qty	Model
	928 521 004 55 RU4	Greyish green-white Grey-beige/grey-beige	86		
5	928 521 003 50	Grey-beige-white Comfort seat All-electric Leatherette/leather Centre part in cloth Pin stripe flannel	/L	1	M437
	928 521 003 50 PZ2	Black/black Anthracite			
	928 521 003 50 PZ3	Brown/brown Brown			
	928 521 003 50 PZ4	Blue/blue Blue			
	928 521 003 50 PZ5	Burgundy/burgundy Burgundy			
	928 521 003 50 PZ6	Greyish green/grey-green Greyish green			
(5)	928 521 004 50	Comfort seat All-electric Leatherette/leather Centre part in cloth Pin stripe flannel	/R	1	M438
	928 521 004 50 PZ2	Black/black Anthracite			
	928 521 004 50 PZ3	Brown/brown Brown			
	928 521 004 50 PZ4	Blue/blue Blue			
	928 521 004 50 PZ5	Burgundy/burgundy Burgundy			
	928 521 004 50 PZ6	Greyish green/grey-green Greyish green			
5	928 521 003 55	Comfort seat All-electric with heating Leatherette/leather Centre part in cloth Pin stripe flannel	/L	1	M437
	928 521 003 55 PZ2	Black/black Anthracite			
	928 521 003 55 PZ3	Brown/brown Brown			
	928 521 003 55 PZ4	Blue/blue Blue			
	928 521 003 55 PZ5	Burgundy/burgundy Burgundy			
	928 521 003 55 PZ6	Greyish green/grey-green Greyish green			
(5)	928 521 004 55	Comfort seat All-electric with heating Leatherette/leather Centre part in cloth Pin stripe flannel	/R	1	M438
	928 521 004 55 PZ2	Black/black Anthracite			
	928 521 004 55 PZ3	Brown/brown Brown			
	928 521 004 55 PZ4	Blue/blue Blue			
	928 521 004 55 PZ5	Burgundy/burgundy Burgundy			

Model: STZ Model life 1985&gt;&gt;1998

Pos	Part Number	Description	Remark	Qty	Model
	928 521 004 55 PZ6	Greyish green/grey-green Greyish green			
5	928 521 003 50	Comfort seat All-electric Leatherette/leather Centre part Porsche lettering cloth	/L	1	M437
	928 521 003 50 PZ7	Black/black Black			
	928 521 003 50 PZ8	Brown/brown Brown			
	928 521 003 50 PZ9	Blue/blue Blue			
	928 521 003 50 QA1	Burgundy/burgundy Burgundy			
	928 521 003 50 QA2	Greyish green/grey-green Greyish green			
	928 521 003 50 RU2	Grey-beige/grey-beige Grey-beige	86		
(5)	928 521 004 50	Comfort seat All-electric Leatherette/leather Centre part Porsche lettering cloth	/R	1	M438
	928 521 004 50 PZ7	Black/black Black			
	928 521 004 50 PZ8	Brown/brown Brown			
	928 521 004 50 PZ9	Blue/blue Blue			
	928 521 004 50 QA1	Burgundy/burgundy Burgundy			
	928 521 004 50 QA2	Greyish green/grey-green Greyish green			
	928 521 004 50 RU2	Grey-beige/grey-beige Grey-beige	86		
5	928 521 003 55	Comfort seat All-electric with heating Leatherette/leather Centre part Porsche lettering cloth	/L	1	M437
	928 521 003 55 PZ7	Black/black Black			
	928 521 003 55 PZ8	Brown/brown Brown			
	928 521 003 55 PZ9	Blue/blue Blue			
	928 521 003 55 QA1	Burgundy/burgundy Burgundy			
	928 521 003 55 QA2	Greyish green/grey-green Greyish green			
	928 521 003 55 RU2	Grey-beige/grey-beige Grey-beige	86		
(5)	928 521 004 55	Comfort seat All-electric with heating Leatherette/leather Centre part Porsche lettering cloth	/R	1	M438
	928 521 004 55 PZ7	Black/black Black			
	928 521 004 55 PZ8	Brown/brown			



Model: STZ Model life 1985>>1998

Pos	Part Number	Description	Remark	Qty	Model
	928 521 004 55 PZ9	Brown Blue/blue			
	928 521 004 55 QA1	Blue Burgundy/burgundy			
	928 521 004 55 QA2	Burgundy Greyish green/grey-green			
	928 521 004 55 RU2	Greyish green Grey-beige/grey-beige	86		
5	928 521 003 54	Grey-beige Comfort seat All-electric Leather/ Centre part in cloth Pin stripe velour	/L	1	M437
	928 521 003 54 LS5	Black/ Black-white			
	928 521 003 54 LS6	Brown/ Brown-beige			
	928 521 003 54 LS8	Blue/ Blue-white			
	928 521 003 54 LS9	Burgundy/ Burgundy-white			
	928 521 003 54 QA7	Greyish green/ Greyish green-white			
	928 521 003 54 LS7	Grey-beige/ Grey-beige-white	86		
(5)	928 521 004 54	Comfort seat All-electric Leather/ Centre part in cloth Pin stripe velour	/R	1	M438
	928 521 004 54 LS5	Black/ Black-white			
	928 521 004 54 LS6	Brown/ Brown-beige			
	928 521 004 54 LS8	Blue/ Blue-white			
	928 521 004 54 LS9	Burgundy/ Burgundy-white			
	928 521 004 54 QA7	Greyish green/ Greyish green-white			
	928 521 004 54 LS7	Grey-beige/ Grey-beige-white	86		
5	928 521 003 59	Comfort seat All-electric with heating Leather/ Centre part in cloth Pin stripe velour	/L	1	M437
	928 521 003 59 LS5	Black/ Black-white			
	928 521 003 59 LS6	Brown/ Brown-beige			
	928 521 003 59 LS8	Blue/ Blue-white			
	928 521 003 59 LS9	Burgundy/ Burgundy-white			
	928 521 003 59 QA7	Greyish green/ Greyish green-white			
	928 521 003 59 LS7	Grey-beige/ Grey-beige-white	86		
(5)	928 521 004 59	Comfort seat All-electric	/R	1	M438

Model: STZ Model life 1985>>1998

Pos	Part Number	Description	Remark	Qty	Model
		with heating Leather/ Centre part in cloth Pin stripe velour			
	928 521 004 59 LS5	Black/ Black-white			
	928 521 004 59 LS6	Brown/ Brown-beige			
	928 521 004 59 LS8	Blue/ Blue-white			
	928 521 004 59 LS9	Burgundy/ Burgundy-white			
	928 521 004 59 QA7	Greyish green/ Greyish green-white			
	928 521 004 59 LS7	Grey-beige/ Grey-beige-white	86		
5	928 521 003 54	Comfort seat All-electric Leather/ Centre part in cloth Pin stripe flannel	/L	1	M437
	928 521 003 54 QB1	Black/anthracite			
	928 521 003 54 QB3	Brown/brown			
	928 521 003 54 QB5	Blue/blue			
	928 521 003 54 QB7	Burgundy/burgundy			
	928 521 003 54 QA8	Greyish green/grey-green			
(5)	928 521 004 54	Comfort seat All-electric Leather/ Centre part in cloth Pin stripe flannel	/R	1	M438
	928 521 004 54 QB1	Black/anthracite			
	928 521 004 54 QB3	Brown/brown			
	928 521 004 54 QB5	Blue/blue			
	928 521 004 54 QB7	Burgundy/burgundy			
	928 521 004 54 QA8	Greyish green/grey-green			
5	928 521 003 59	Comfort seat All-electric with heating Leather/ Centre part in cloth Pin stripe flannel	/L	1	M437
	928 521 003 59 QB1	Black/anthracite			
	928 521 003 59 QB3	Brown/brown			
	928 521 003 59 QB5	Blue/blue			
	928 521 003 59 QB7	Burgundy/burgundy			
	928 521 003 59 QA8	Greyish green/grey-green			
(5)	928 521 004 59	Comfort seat All-electric with heating Leather/ Centre part in cloth Pin stripe flannel	/R	1	M438
	928 521 004 59 QB1	Black/anthracite			
	928 521 004 59 QB3	Brown/brown			
	928 521 004 59 QB5	Blue/blue			
	928 521 004 59 QB7	Burgundy/burgundy			
	928 521 004 59 QA8	Greyish green/grey-green			
5	928 521 003 54	Comfort seat All-electric Leather/ Centre part Porsche lettering cloth	/L	1	M437

Model: STZ Model life 1985>>1998

Pos	Part Number	Description	Remark	Qty	Model
(5)	928 521 003 54 QB2	Black/black			
	928 521 003 54 QB4	Brown/brown			
	928 521 003 54 QB6	Blue/blue			
	928 521 003 54 QB8	Burgundy/burgundy			
	928 521 003 54 QA9	Greyish green/grey-green			
	928 521 003 54 RU1	Grey-beige/grey-beige	86		
	928 521 004 54	Comfort seat	/R	1	M438
		All-electric			
		Leather/			
		Centre part			
5	928 521 004 54 QB2	Black/black			
	928 521 004 54 QB4	Brown/brown			
	928 521 004 54 QB6	Blue/blue			
	928 521 004 54 QB8	Burgundy/burgundy			
	928 521 004 54 QA9	Greyish green/grey-green			
	928 521 004 54 RU1	Grey-beige/grey-beige	86		
	928 521 003 59	Comfort seat	/L	1	M437
		All-electric			
		with heating			
		Leather/			
(5)	928 521 003 59 QB2	Black/black			
	928 521 003 59 QB4	Brown/brown			
	928 521 003 59 QB6	Blue/blue			
	928 521 003 59 QB8	Burgundy/burgundy			
	928 521 003 59 QA9	Greyish green/grey-green			
	928 521 003 59 RU1	Grey-beige/grey-beige	86		
	928 521 004 59	Comfort seat	/R	1	M438
		All-electric			
		with heating			
		Leather/			
6	928 521 004 59 QB2	Black/black			
	928 521 004 59 QB4	Brown/brown			
	928 521 004 59 QB6	Blue/blue			
	928 521 004 59 QB8	Burgundy/burgundy			
	928 521 004 59 QA9	Greyish green/grey-green			
	928 521 004 59 RU1	Grey-beige/grey-beige	86		
	928 521 003 51	Comfort seat	/L	1	M437
		All-electric			
		Leatherette/			
		Seat and backrest surface			
(6)	928 521 003 51 JN3	Black/black			
	928 521 003 51 JN4	Cadbury brown			
	928 521 003 51 QC1	Blue			
	928 521 003 51 NZ8	Burgundy/burgundy			
	928 521 003 51 PX9	Greyish green/grey-green			
	928 521 003 51 JN5	Grey-beige/grey-beige	86		
	928 521 004 51	Comfort seat	/R	1	M438
		All-electric			
		Leatherette/			
		Seat and backrest surface			
6	928 521 004 51 JN3	Black/black			
	928 521 004 51 JN4	Cadbury brown			
	928 521 004 51 QC1	Blue			
	928 521 004 51 NZ8	Burgundy/burgundy			
	928 521 004 51 PX9	Greyish green/grey-green			
	928 521 004 51 JN5	Grey-beige/grey-beige	86		

Model: STZ Model life 1985>>1998

Pos	Part Number	Description	Remark	Qty	Model
6	928 521 003 56	Comfort seat All-electric with heating Leatherette/ Seat and backrest surface Leather	/L	1	M437
	928 521 003 56 JN3	Black/black			
	928 521 003 56 JN4	Brown/brown			
	928 521 003 56 QC1	Blue/blue			
	928 521 003 56 NZ8	Burgundy/burgundy			
	928 521 003 56 PX9	Greyish green/grey-green			
	928 521 003 56 JN5	Grey-beige/grey-beige	86		
(6)	928 521 004 56	Comfort seat All-electric with heating Leatherette/ Seat and backrest surface Leather	/R	1	M438
	928 521 004 56 JN3	Black/black			
	928 521 004 56 JN4	Brown/brown			
	928 521 004 56 QC1	Blue/blue			
	928 521 004 56 NZ8	Burgundy/burgundy			
	928 521 004 56 PX9	Greyish green/grey-green			
	928 521 004 56 JN5	Grey-beige/grey-beige	86		
6	928 521 003 52	Comfort seat All-electric Whole-leather	/L	1	M437
	928 521 003 52 KZ2	Black			
	928 521 003 52 KZ5	Cadbury brown			
	928 521 003 52 KZ3	Blue			
	928 521 003 52 LG7	Burgundy			
	928 521 003 52 QC2	Greyish green			
	928 521 003 52 KZ6	Can-can-red			
	928 521 003 52 LG4	Pearl white			
	928 521 003 52 LG5	Champagne			
	928 521 003 52 LG6	Dark green			
	928 521 003 52 PY9	Ocean blue			
	928 521 003 52 PZ1	Wild buffalo			
	928 521 003 52 KZ4	Grey-beige	86		
(6)	928 521 004 52	Comfort seat All-electric Whole-leather	/R	1	M438
	928 521 004 52 KZ2	Black			
	928 521 004 52 KZ5	Cadbury brown			
	928 521 004 52 KZ3	Blue			
	928 521 004 52 LG7	Burgundy			
	928 521 004 52 QC2	Greyish green			
	928 521 004 52 KZ6	Can-can-red			
	928 521 004 52 LG4	Pearl white			
	928 521 004 52 LG5	Champagne			
	928 521 004 52 LG6	Dark green			
	928 521 004 52 PY9	Ocean blue			
	928 521 004 52 PZ1	Wild buffalo			
	928 521 004 52 KZ4	Grey-beige	86		
6	928 521 003 57	Comfort seat All-electric with heating Whole-leather	/L	1	M437
	928 521 003 57 KZ2	Black			
	928 521 003 57 KZ5	Brown			
	928 521 003 57 KZ3	Blue			
	928 521 003 57 LG7	Burgundy			
	928 521 003 57 QC2	Greyish green			

Model: STZ Model life 1985>>1998

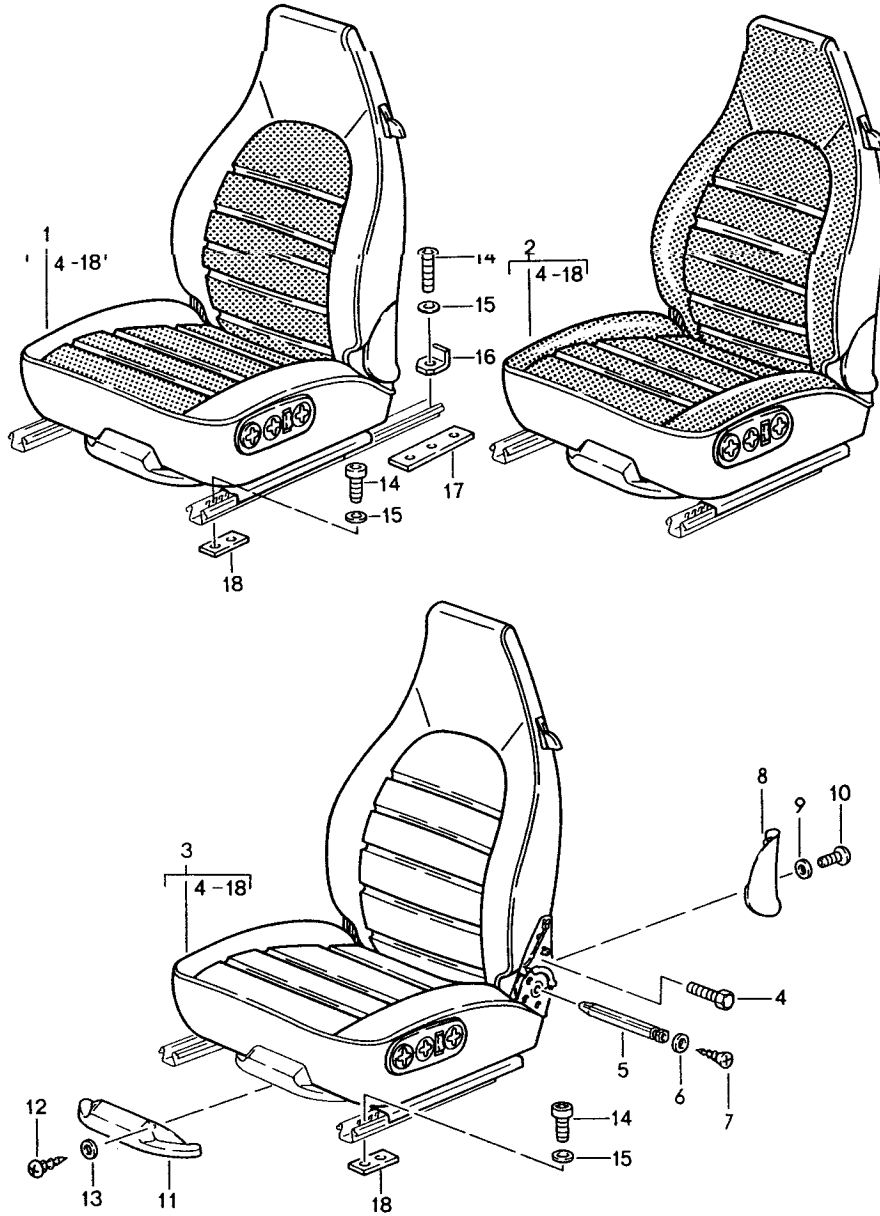
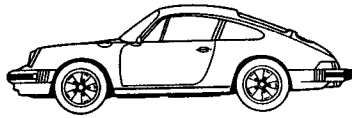
Pos	Part Number	Description	Remark	Qty	Model
	928 521 003 57 KZ6	Can-can-red			
	928 521 003 57 LG4	Pearl white			
	928 521 003 57 LG5	Champagne			
	928 521 003 57 LG6	Dark green			
	928 521 003 57 PY9	Ocean blue			
	928 521 003 57 PZ1	Wild buffalo			
	928 521 003 57 KZ4	Grey-beige	86		
(6)	928 521 004 57	Comfort seat All-electric with heating Whole-leather	/R	1	M438
	928 521 004 57 KZ2	Black			
	928 521 004 57 KZ5	Brown			
	928 521 004 57 KZ3	Blue			
	928 521 004 57 LG7	Burgundy			
	928 521 004 57 QC2	Greyish green			
	928 521 004 57 KZ6	Can-can-red			
	928 521 004 57 LG4	Pearl white			
	928 521 004 57 LG5	Champagne			
	928 521 004 57 LG6	Dark green			
	928 521 004 57 PY9	Ocean blue			
	928 521 004 57 PZ1	Wild buffalo			
	928 521 004 57 KZ4	Grey-beige	86		
7	911 521 547 00	Screw M 10 X 20		8	
8	928 521 147 02	Cover	/L	2	
	928 521 147 02 01C	Black			
	928 521 147 02 4RB	Brown			
	928 521 147 02 5HJ	Blue			
	928 521 147 02 9MM	Burgundy			
	928 521 147 02 1DJ	Greyish green			
	928 521 147 02 3UC	Grey-beige	86		
(8)	928 521 148 02	Cover	/R	2	
	928 521 148 02 01C	Black			
	928 521 148 02 4RB	Brown			
	928 521 148 02 5HJ	Blue			
	928 521 148 02 9MM	Burgundy			
	928 521 148 02 1DJ	Greyish green			
	928 521 148 02 3UC	Grey-beige	86		
9	900 025 044 07	Washer A 4,3		8	
10	900 143 113 07	Oval-head screw B 4,2 X 13		8	
10	900 143 113 0G	Oval-head screw B 4,2 X 13		8	
11	900 119 030 02	Pan-head screw M 8 X 20		12	
12	900 089 006 02	Washer 8		12	
12	900 089 006 01	Washer 8		12	
13	964 521 701 00	Threaded plate Front and rear 2 X M 8		X	
13A	928 521 101 08	Threaded plate Rear 4 X M 8		X	
14	928 521 717 02	Square rod for backrest adjustment		4	
15	928 521 716 02	Lock washer for backrest adjustment		4	
16	900 249 004 02	Countersunk-head screw M 4 X 8		4	

Model: STZ Model life 1985>>1998

Pos	Part Number	Description	Remark	Qty	Model
17	928 521 760 02	for backrest adjustment Cover		2	
(17)	928 521 760 04	Engine support Stirrup bolt Comfort seat Cover		2	
(17)	928 521 760 04 01C 928 521 760 03	Engine support Retaining bracket Comfort seat Satin black Cover		2	
(17)	928 521 760 05	for partially electrical seat Engine support Stirrup bolt Cover		2	
18	928 521 760 05 01C N 013 959 3	for partially electrical seat Engine support Retaining bracket Satin black Oval-head sheetmetal screw B 3,5 X 16		4	
18	900 143 016 02	Oval-head sheetmetal screw B 3,5 X 16		4	
19	900 025 013 07	Washer A 3,7		4	
20	911 521 347 00	Stop		2	

Model: STZ

Model life 1985>>1998



Model: STZ Model life 1985>>1998

Pos	Part Number	Description	Remark	Qty	Model
		Front seat Complete All-electric Elect. vertical adjustment	87-89		911 CARRERA TURBO
		Standard seat And Combined seat Speedster Not available			JUBI.88 M098/099
2	964 521 003 19	Comfort seat Leatherette/ Seat and backrest surface Pin stripe velour	/L	1	
	964 521 003 19 NY5	Black/ Black-white			
	964 521 003 19 TU7	Mahogany/ Mahogany-white			
	964 521 003 19 TR7	Blue/ Blue-white			
	964 521 003 19 NY8	Burgundy/ Burgundy-white			
	964 521 003 19 QA4	Greyish green/ Greyish green-white	-88		
	964 521 003 19 XK2	Linen/ Linen white	89		
	964 521 003 19 XK5	Cashmere beige/ Cashmere beige-white	89		
(2)	964 521 004 19	Comfort seat Leatherette/ Seat and backrest surface Pin stripe velour	/R	1	
	964 521 004 19 NY5	Black/ Black-white			
	964 521 004 19 TU7	Mahogany/ Mahogany-white			
	964 521 004 19 TR7	Blue/ Blue-white			
	964 521 004 19 NY8	Burgundy/ Burgundy-white			
	964 521 004 19 QA4	Greyish green/ Greyish green-white	-88		
	964 521 004 19 XK2	Linen/ Linen white	89		
	964 521 004 19 XK5	Cashmere beige/ Cashmere beige-white	89		
2	964 521 003 25	Comfort seat with seat heating Leatherette/ Seat and backrest surface Pin stripe velour	/L	1	
	964 521 003 25 NY5	Black/ Black-white			
	964 521 003 25 TU7	Mahogany/ Mahogany-white			
	964 521 003 25 TR7	Blue/ Blue-white			
	964 521 003 25 NY8	Burgundy/ Burgundy-white			
	964 521 003 25 QA4	Greyish green/ Greyish green-white	-88		
	964 521 003 25 XK2	Linen/ Linen white	89		



Model: STZ Model life 1985>>1998

Pos	Part Number	Description	Remark	Qty	Model
	964 521 003 25 XK5	Cashmere beige/ Cashmere beige-white	89		
(2)	964 521 004 25	Comfort seat with seat heating Leatherette/ Seat and backrest surface Pin stripe velour	/R	1	
	964 521 004 25 NY5	Black/ Black-white			
	964 521 004 25 TU7	Mahogany/ Mahogany-white			
	964 521 004 25 TR7	Blue/ Blue-white			
	964 521 004 25 NY8	Burgundy/ Burgundy-white			
	964 521 004 25 QA4	Greyish green/ Greyish green-white	-88		
	964 521 004 25 XK2	Linen/ Linen white	89		
	964 521 004 25 XK5	Cashmere beige/ Cashmere beige-white	89		
2	964 521 003 31	Comfort seat with Lumbar support Leatherette/ Seat and backrest surface Pin stripe velour	/L	1	
	964 521 003 31 NY5	Black/ Black-white			
	964 521 003 31 TU7	Mahogany/ Mahogany-white			
	964 521 003 31 TR7	Blue/ Blue-white			
	964 521 003 31 NY8	Burgundy/ Burgundy-white			
	964 521 003 31 QA4	Greyish green/ Greyish green-white	-88		
	964 521 003 31 XK2	Linen/ Linen white	89		
	964 521 003 31 XK5	Cashmere beige/ Cashmere beige-white	89		
(2)	964 521 004 31	Comfort seat with Lumbar support Leatherette/ Seat and backrest surface Pin stripe velour	/R	1	
	964 521 004 31 NY5	Black/ Black-white			
	964 521 004 31 TU7	Mahogany/ Mahogany-white			
	964 521 004 31 TR7	Blue/ Blue-white			
	964 521 004 31 NY8	Burgundy/ Burgundy-white			
	964 521 004 31 QA4	Greyish green/ Greyish green-white	-88		
	964 521 004 31 XK2	Linen/ Linen white	89		
	964 521 004 31 XK5	Cashmere beige/ Cashmere beige-white	89		
2	964 521 003 37	Comfort seat Lumbar support	/L	1	

Model: STZ Model life 1985>>1998

Pos	Part Number	Description	Remark	Qty	Model
		with seat heating Leatherette/ Seat and backrest surface Pin stripe velour			
	964 521 003 37 NY5	Black/ Black-white			
	964 521 003 37 TU7	Mahogany/ Mahogany-white			
	964 521 003 37 TR7	Blue/ Blue-white			
	964 521 003 37 NY8	Burgundy/ Burgundy-white			
	964 521 003 37 QA4	Greyish green/ Greyish green-white	-88		
	964 521 003 37 XK2	Linen/ Linen white	89		
	964 521 003 37 XK5	Cashmere beige/ Cashmere beige-white	89		
(2)	964 521 004 37	Comfort seat Lumbar support with seat heating Leatherette/ Seat and backrest surface Pin stripe velour	/R	1	
	964 521 004 37 NY5	Black/ Black-white			
	964 521 004 37 TU7	Mahogany/ Mahogany-white			
	964 521 004 37 TR7	Blue/ Blue-white			
	964 521 004 37 NY8	Burgundy/ Burgundy-white			
	964 521 004 37 QA4	Greyish green/ Greyish green-white	-88		
	964 521 004 37 XK2	Linen/ Linen white	89		
	964 521 004 37 XK5	Cashmere beige/ Cashmere beige-white	89		
2	964 521 003 19	Comfort seat Leatherette/ Seat and backrest surface Pin stripe flannel	/L	1	
	964 521 003 19 NY9	Black/black	-88		
	964 521 003 19 TU8	Mahogany/mahogany			
	964 521 003 19 TR8	Marine blue/blue			
	964 521 003 19 NZ5	Burgundy/burgundy			
	964 521 003 19 QA5	Greyish green/grey-green			
(2)	964 521 004 19	Comfort seat Leatherette/ Seat and backrest surface Pin stripe flannel	/R	1	
	964 521 004 19 NY9	Black/black	-88		
	964 521 004 19 TU8	Mahogany/mahogany			
	964 521 004 19 TR8	Marine blue/blue			
	964 521 004 19 NZ5	Burgundy/burgundy			
	964 521 004 19 QA5	Greyish green/grey-green			
2	964 521 003 25	Comfort seat with seat heating Leatherette/ Seat and backrest surface Pin stripe flannel	/L	1	
	964 521 003 25 NY9	Black/black	-88		
	964 521 003 25 TU8	Mahogany/mahogany			

Model: STZ Model life 1985>>1998

Pos	Part Number	Description	Remark	Qty	Model
(2)	964 521 003 25 TR8	Marine blue/blue			
	964 521 003 25 NZ5	Burgundy/burgundy			
	964 521 003 25 QA5	Greyish green/grey-green			
	964 521 004 25	Comfort seat with seat heating Leatherette/ Seat and backrest surface Pin stripe flannel	/R   -88	1	
	964 521 004 25 NY9	Black/black			
	964 521 004 25 TU8	Mahogany/mahogany			
	964 521 004 25 TR8	Marine blue/blue			
	964 521 004 25 NZ5	Burgundy/burgundy			
	964 521 004 25 QA5	Greyish green/grey-green			
	2	964 521 003 31	Comfort seat with Lumbar support Leatherette/ Seat and backrest surface Pin stripe flannel	/L   -88	1
(2)	964 521 003 31 NY9	Black/black			
	964 521 003 31 TU8	Mahogany/mahogany			
	964 521 003 31 TR8	Marine blue/blue			
	964 521 003 31 NZ5	Burgundy/burgundy			
	964 521 003 31 QA5	Greyish green/grey-green			
	964 521 004 31	Comfort seat with Lumbar support Leatherette/ Seat and backrest surface Pin stripe flannel	/R   -88	1	
	964 521 004 31 NY9	Black/black			
	964 521 004 31 TU8	Mahogany/mahogany			
	964 521 004 31 TR8	Marine blue/blue			
	964 521 004 31 NZ5	Burgundy/burgundy			
2	964 521 004 31 QA5	Greyish green/grey-green			
(2)	964 521 003 37	Comfort seat Lumbar support with seat heating Leatherette/ Seat and backrest surface Pin stripe flannel	/L   -88	1	
	964 521 003 37 NY9	Black/black			
	964 521 003 37 TU8	Mahogany/mahogany			
	964 521 003 37 TR8	Marine blue/blue			
	964 521 003 37 NZ5	Burgundy/burgundy			
	964 521 003 37 QA5	Greyish green/grey-green			
	964 521 004 37	Comfort seat Lumbar support with seat heating Leatherette/ Seat and backrest surface Pin stripe flannel	/R   -88	1	
	964 521 004 37 NY9	Black/anthracite			
	964 521 004 37 TU8	Mahogany/mahogany			
	964 521 004 37 TR8	Marine blue/blue			
2	964 521 004 37 NZ5	Burgundy/burgundy			
(2)	964 521 004 37 QA5	Greyish green/grey-green			
	964 521 003 19	Comfort seat Leatherette/ Seat and backrest surface Multicolour	/L   89	1	
	964 521 003 19 XK8	Black/black			
	964 521 003 19 XK9	Mahogany/mahogany			

Model: STZ Model life 1985>>1998

Pos	Part Number	Description	Remark	Qty	Model
(2)	964 521 003 19 XN1	Marine blue/marine blue			
	964 521 003 19 XN2	Burgundy/burgundy			
	964 521 003 19 XK4	Linen/linen			
	964 521 003 19 XK7	Cashmere beige/cash. beige			
	964 521 004 19	Comfort seat	/R	1	
		Leatherette/ Seat and backrest surface			
		Multicolour	89		
	964 521 004 19 XK8	Black/black			
	964 521 004 19 XK9	Mahogany/mahogany			
	964 521 004 19 XN1	Marine blue/marine blue			
2	964 521 004 19 XN2	Burgundy/burgundy			
	964 521 004 19 XK4	Linen/linen			
	964 521 004 19 XK7	Cashmere beige/cash. beige			
	964 521 003 25	Comfort seat	/L	1	
		with seat heating Leatherette/ Seat and backrest surface			
		Multicolour	89		
	964 521 003 25 XK8	Black/black			
	964 521 003 25 XK9	Mahogany/mahogany			
	964 521 003 25 XN1	Marine blue/marine blue			
	964 521 003 25 XN2	Burgundy/burgundy			
(2)	964 521 003 25 XK4	Linen/linen			
	964 521 003 25 XK7	Cashmere beige/cash. beige			
	964 521 004 25	Comfort seat	/R	1	
		with seat heating Leatherette/ Seat and backrest surface			
		Multicolour	89		
	964 521 004 25 XK8	Black/black			
	964 521 004 25 XK9	Mahogany/mahogany			
	964 521 004 25 XN1	Marine blue/marine blue			
	964 521 004 25 XN2	Burgundy/burgundy			
	964 521 004 25 XK4	Linen/linen			
2	964 521 004 25 XK7	Cashmere beige/cash. beige			
	964 521 003 31	Comfort seat	/L	1	
		with Lumbar support Leatherette/ Seat and backrest surface			
		Multicolour	89		
	964 521 003 31 XK8	Black/black			
	964 521 003 31 XK9	Mahogany/mahogany			
	964 521 003 31 XN1	Marine blue/marine blue			
	964 521 003 31 XN2	Burgundy/burgundy			
	964 521 003 31 XK4	Linen/linen			
	964 521 003 31 XK7	Cashmere beige/cash. beige			
(2)	964 521 004 31	Comfort seat	/R	1	
		with Lumbar support Leatherette/ Seat and backrest surface			
		Multicolour	89		
	964 521 004 31 XK8	Black/black			
	964 521 004 31 XK9	Mahogany/mahogany			
	964 521 004 31 XN1	Marine blue/marine blue			
	964 521 004 31 XN2	Burgundy/burgundy			
	964 521 004 31 XK4	Linen/linen			
	964 521 004 31 XK7	Cashmere beige/cash. beige			
	2	964 521 003 37	Comfort seat	/L	1
	Lumbar support with seat heating				

Model: STZ Model life 1985>>1998

Pos	Part Number	Description	Remark	Qty	Model
		Leatherette/ Seat and backrest surface Multicolour	89		
	964 521 003 37 XK8	Black/black			
	964 521 003 37 XK9	Mahogany/mahogany			
	964 521 003 37 XN1	Marine blue/marine blue			
	964 521 003 37 XN2	Burgundy/burgundy			
	964 521 003 37 XK4	Linen/linen			
	964 521 003 37 XK7	Cashmere beige/cash. beige			
(2)	964 521 004 37	Comfort seat Lumbar support with seat heating Leatherette/ Seat and backrest surface Multicolour	/R    89	1	
	964 521 004 37 XK8	Black/black			
	964 521 004 37 XK9	Mahogany/mahogany			
	964 521 004 37 XN1	Marine blue/marine blue			
	964 521 004 37 XN2	Burgundy/burgundy			
	964 521 004 37 XK4	Linen/linen			
	964 521 004 37 XK7	Cashmere beige/cash. beige			
2	964 521 003 19	Comfort seat Leatherette/ Seat and backrest surface Porsche lettering cloth	/L   	1	
	964 521 003 19 PX2	Black/black			
	964 521 003 19 TU9	Mahogany/mahogany			
	964 521 003 19 TR9	Marine blue/marine blue			
	964 521 003 19 PX6	Burgundy/burgundy			
	964 521 003 19 PX8	Greyish green/grey-green	-88		
	964 521 003 19 XK3	Linen/linen	89		
	964 521 003 19 XK6	Cashmere beige/cash. beige	89		
(2)	964 521 004 19	Comfort seat Leatherette/ Seat and backrest surface Porsche lettering cloth	/R   	1	
	964 521 004 19 PX2	Black/black			
	964 521 004 19 TU9	Mahogany/mahogany			
	964 521 004 19 TR9	Marine blue/marine blue			
	964 521 004 19 PX6	Burgundy/burgundy			
	964 521 004 19 PX8	Greyish green/grey-green	-88		
	964 521 004 19 XK3	Linen/linen	89		
	964 521 004 19 XK6	Cashmere beige/cash. beige	89		
2	964 521 003 25	Comfort seat with seat heating Leatherette/ Seat and backrest surface Porsche lettering cloth	/L   	1	
	964 521 003 25 PX2	Black/black			
	964 521 003 25 TU9	Mahogany/mahogany			
	964 521 003 25 TR9	Marine blue/marine blue			
	964 521 003 25 PX6	Burgundy/burgundy			
	964 521 003 25 PX8	Greyish green/grey-green	-88		
	964 521 003 25 XK3	Linen/linen	89		
	964 521 003 25 XK6	Cashmere beige/cash. beige	89		
(2)	964 521 004 25	Comfort seat with seat heating Leatherette/ Seat and backrest surface Porsche lettering cloth	/R   	1	
	964 521 004 25 PX2	Black/black			
	964 521 004 25 TU9	Mahogany/mahogany			
	964 521 004 25 TR9	Marine blue/marine blue			

Model: STZ Model life 1985>>1998

Pos	Part Number	Description	Remark	Qty	Model
	964 521 004 25 PX6	Burgundy/burgundy			
	964 521 004 25 PX8	Greyish green/grey-green	-88		
	964 521 004 25 XK3	Linen/linen	89		
	964 521 004 25 XK6	Cashmere beige/cash. beige	89		
2	964 521 003 31	Comfort seat with Lumbar support Leatherette/ Seat and backrest surface Porsche lettering cloth	/L	1	
	964 521 003 31 PX2	Black/black			
	964 521 003 31 TU9	Mahogany/mahogany			
	964 521 003 31 TR9	Marine blue/marine blue			
	964 521 003 31 PX6	Burgundy/burgundy			
	964 521 003 31 PX8	Greyish green/grey-green	-88		
	964 521 003 31 XK3	Linen/linen	89		
	964 521 003 31 XK6	Cashmere beige/cash. beige	89		
(2)	964 521 004 31	Comfort seat with Lumbar support Leatherette/ Seat and backrest surface Porsche lettering cloth	/R	1	
	964 521 004 31 PX2	Black/black			
	964 521 004 31 TU9	Mahogany/mahogany			
	964 521 004 31 TR9	Marine blue/marine blue			
	964 521 004 31 PX6	Burgundy/burgundy			
	964 521 004 31 PX8	Greyish green/grey-green	-88		
	964 521 004 31 XK3	Linen/linen	89		
	964 521 004 31 XK6	Cashmere beige/cash. beige	89		
2	964 521 003 37	Comfort seat Lumbar support with seat heating Leatherette/ Seat and backrest surface Porsche lettering cloth	/L	1	
	964 521 003 37 PX2	Black/black			
	964 521 003 37 TU9	Mahogany/mahogany			
	964 521 003 37 TR9	Marine blue/marine blue			
	964 521 003 37 PX6	Burgundy/burgundy			
	964 521 003 37 PX8	Greyish green/grey-green	-88		
	964 521 003 37 XK3	Linen/linen	89		
	964 521 003 37 XK6	Cashmere beige/cash. beige	89		
(2)	964 521 004 37	Comfort seat Lumbar support with seat heating Leatherette/ Seat and backrest surface Porsche lettering cloth	/R	1	
	964 521 004 37 PX2	Black/black			
	964 521 004 37 TU9	Mahogany/mahogany			
	964 521 004 37 TR9	Marine blue/marine blue			
	964 521 004 37 PX6	Burgundy/burgundy			
	964 521 004 37 PX8	Greyish green/grey-green	-88		
	964 521 004 37 XK3	Linen/linen	89		
	964 521 004 37 XK6	Cashmere beige/cash. beige	89		
1	964 521 003 20	Comfort seat Leatherette/leather Centre part Pin stripe velour	/L	1	
	964 521 003 20 PY1	Black/black Black-white			
	964 521 003 20 TU4	Mahogany/mahogany			

Model: STZ Model life 1985>>1998

Pos	Part Number	Description	Remark	Qty	Model
	964 521 003 20 TR4	Mahogany-white Marine blue/marine blue Blue-white			
	964 521 003 20 PY4	Burgundy/burgundy Burgundy-white			
	964 521 003 20 PY5	Greyish green/ Greyish green-white	-88		
	964 521 003 20 XH2	Linen/linen Linen white	89		
	964 521 003 20 XH7	Cashmere beige/cash. beige Cashmere beige-white	89		
(1)	964 521 004 20	Comfort seat Leatherette/leather Centre part Pin stripe velour	/R	1	
	964 521 004 20 PY1	Black/black Black-white			
	964 521 004 20 TU4	Mahogany/mahogany Mahogany-white			
	964 521 004 20 TR4	Blue/ Blue-white			
	964 521 004 20 PY4	Burgundy/burgundy Burgundy-white			
	964 521 004 20 PY5	Greyish green/ Greyish green-white	-88		
	964 521 004 20 XH2	Linen/linen Linen white	89		
	964 521 004 20 XH7	Cashmere beige/cash. beige Cashmere beige-white	89		
1	964 521 003 26	Comfort seat with seat heating Leatherette/leather Centre part Pin stripe velour	/L	1	
	964 521 003 26 PY1	Black/black Black-white			
	964 521 003 26 TU4	Mahogany/mahogany Mahogany-white			
	964 521 003 26 TR4	Marine blue/marine blue Blue-white			
	964 521 003 26 PY4	Burgundy/burgundy Burgundy-white			
	964 521 003 26 PY5	Greyish green/ Greyish green-white	-88		
	964 521 003 26 XH2	Linen/linen Linen white	89		
	964 521 003 26 XH7	Cashmere beige/cash. beige Cashmere beige-white	89		
(1)	964 521 004 26	Comfort seat with seat heating Leatherette/leather Centre part Pin stripe velour	/R	1	
	964 521 004 26 PY1	Black/black Black-white			
	964 521 004 26 TU4	Mahogany/mahogany Mahogany-white			
	964 521 004 26 TR4	Marine blue/marine blue Blue-white			
	964 521 004 26 PY4	Burgundy/burgundy Burgundy-white			
	964 521 004 26 PY5	Greyish green/ Greyish green-white	-88		

Model: STZ Model life 1985&gt;&gt;1998

Pos	Part Number	Description	Remark	Qty	Model
	964 521 004 26 XH2	Linen/linen Linen white	89		
	964 521 004 26 XH7	Cashmere beige/cash. beige Cashmere beige-white	89		
1	964 521 003 32	Comfort seat with Lumbar support Leatherette/leather Centre part Pin stripe velour	/L	1	
	964 521 003 32 PY1	Black/black Black-white			
	964 521 003 32 TU4	Mahogany/mahogany Mahogany-white			
	964 521 003 32 TR4	Marine blue/marine blue Blue-white			
	964 521 003 32 PY4	Burgundy/burgundy Burgundy-white			
	964 521 003 32 PY5	Greyish green/ Greyish green-white	-88		
	964 521 003 32 XH2	Linen/linen Linen white	89		
	964 521 003 32 XH7	Cashmere beige/cash. beige Cashmere beige-white	89		
(1)	964 521 004 32	Comfort seat with Lumbar support Leatherette/leather Centre part Pin stripe velour	/R	1	
	964 521 004 32 PY1	Black/black Black-white			
	964 521 004 32 TU4	Mahogany/mahogany Mahogany-white			
	964 521 004 32 TR4	Marine blue/marine blue Blue-white			
	964 521 004 32 PY4	Burgundy/burgundy Burgundy-white			
	964 521 004 32 PY5	Greyish green/ Greyish green-white	-88		
	964 521 004 32 XH2	Linen/linen Linen white	89		
	964 521 004 32 XH7	Cashmere beige/cash. beige Cashmere beige-white	89		
1	964 521 003 38	Comfort seat Lumbar support with seat heating Leatherette/leather Centre part Pin stripe velour	/L	1	
	964 521 003 38 PY1	Black/black Black-white			
	964 521 003 38 TU4	Mahogany/mahogany Mahogany-white			
	964 521 003 38 TR4	Marine blue/marine blue Blue-white			
	964 521 003 38 PY4	Burgundy/burgundy Burgundy-white			
	964 521 003 38 PY5	Greyish green/ Greyish green-white	-88		
	964 521 003 38 XH2	Linen/linen Linen white	89		
	964 521 003 38 XH7	Cashmere beige/cash. beige	89		



Model: STZ Model life 1985>>1998

Pos	Part Number	Description	Remark	Qty	Model
(1)	964 521 004 38	Cashmere beige-white Comfort seat Lumbar support with seat heating Leatherette/leather Centre part Pin stripe velour	/R	1	
	964 521 004 38 PY1	Black/black Black-white			
	964 521 004 38 TU4	Mahogany/mahogany Mahogany-white			
	964 521 004 38 TR4	Marine blue/marine blue Blue-white			
	964 521 004 38 PY4	Burgundy/burgundy Burgundy-white			
	964 521 004 38 PY5	Greyish green/ Greyish green-white	-88		
	964 521 004 38 XH2	Linen/linen Linen white	89		
	964 521 004 38 XH7	Cashmere beige/cash. beige Cashmere beige-white	89		
1	964 521 003 20	Comfort seat Leatherette/leather Centre part Pin stripe flannel	/L -88	1	
	964 521 003 20 PZ2	Black/anthracite			
	964 521 003 20 TU5	Mahogany/mahogany			
	964 521 003 20 TR5	Marine blue/blue			
	964 521 003 20 PZ5	Burgundy/burgundy			
	964 521 003 20 PZ6	Greyish green/grey-green			
(1)	964 521 004 20	Comfort seat Leatherette/leather Centre part Pin stripe flannel	/R -88	1	
	964 521 004 20 PZ2	Black/anthracite			
	964 521 004 20 TU5	Mahogany/mahogany			
	964 521 004 20 TR5	Marine blue/blue			
	964 521 004 20 PZ5	Burgundy/burgundy			
	964 521 004 20 PZ6	Greyish green/grey-green			
1	964 521 003 26	Comfort seat with seat heating Leatherette/leather Centre part Pin stripe flannel	/L -88	1	
	964 521 003 26 PZ2	Black/anthracite			
	964 521 003 26 TU5	Mahogany/mahogany			
	964 521 003 26 TR5	Marine blue/blue			
	964 521 003 26 PZ5	Burgundy/burgundy			
	964 521 003 26 PZ6	Greyish green/grey-green			
(1)	964 521 004 26	Comfort seat with seat heating Leatherette/leather Centre part Pin stripe flannel	/R -88	1	
	964 521 004 26 PZ2	Black/anthracite			
	964 521 004 26 TU5	Mahogany/mahogany			
	964 521 004 26 TR5	Marine blue/blue			
	964 521 004 26 PZ5	Burgundy/burgundy			
	964 521 004 26 PZ6	Greyish green/grey-green			
1	964 521 003 32	Comfort seat with Lumbar support Leatherette/leather	/L	1	

Model: STZ Model life 1985>>1998

Pos	Part Number	Description	Remark	Qty	Model
		Centre part			
		Pin stripe flannel	-88		
	964 521 003 32 PZ2	Black/anthracite			
	964 521 003 32 TU5	Mahogany/mahogany			
	964 521 003 32 TR5	Marine blue/blue			
	964 521 003 32 PZ5	Burgundy/burgundy			
	964 521 003 32 PZ6	Greyish green/grey-green			
(1)	964 521 004 32	Comfort seat	/R	1	
		with			
		Lumbar support			
		Leatherette/leather			
		Centre part			
		Pin stripe flannel	-88		
	964 521 004 32 PZ2	Black/anthracite			
	964 521 004 32 TU5	Mahogany/mahogany			
	964 521 004 32 TR5	Marine blue/blue			
	964 521 004 32 PZ5	Burgundy/burgundy			
	964 521 004 32 PZ6	Greyish green/grey-green			
1	964 521 003 38	Comfort seat	/L	1	
		Lumbar support			
		with seat heating			
		Leatherette/leather			
		Centre part			
		Pin stripe flannel	-88		
	964 521 003 38 PZ2	Black/anthracite			
	964 521 003 38 TU5	Mahogany/mahogany			
	964 521 003 38 TR5	Marine blue/blue			
	964 521 003 38 PZ5	Burgundy/burgundy			
	964 521 003 38 PZ6	Greyish green/grey-green			
(1)	964 521 004 38	Comfort seat	/R	1	
		Lumbar support			
		with seat heating			
		Leatherette/leather			
		Centre part			
		Pin stripe flannel	-88		
	964 521 004 38 PZ2	Black/anthracite			
	964 521 004 38 TU5	Mahogany/mahogany			
	964 521 004 38 TR5	Marine blue/blue			
	964 521 004 38 PZ5	Burgundy/burgundy			
	964 521 004 38 PZ6	Greyish green/grey-green			
1	964 521 003 20	Comfort seat	/L	1	
		Leatherette/leather			
		Centre part			
		Multicolour	89		
	964 521 003 20 XJ2	Black/black			
	964 521 003 20 XJ3	Mahogany/mahogany			
	964 521 003 20 XJ5	Marine blue/blue			
	964 521 003 20 XJ7	Burgundy/burgundy			
	964 521 003 20 XH6	Linen/linen			
	964 521 003 20 XH9	Cashmere beige/cash. beige			
(1)	964 521 004 20	Comfort seat	/R	1	
		Leatherette/leather			
		Centre part			
		Multicolour	89		
	964 521 004 20 XJ2	Black/black			
	964 521 004 20 XJ3	Mahogany/mahogany			
	964 521 004 20 XJ5	Marine blue/blue			
	964 521 004 20 XJ7	Burgundy/burgundy			
	964 521 004 20 XH6	Linen/linen			
	964 521 004 20 XH9	Cashmere beige/cash. beige			
1	964 521 003 26	Comfort seat	/L	1	
		with seat heating			
		Leatherette/leather			

Model: STZ Model life 1985>>1998

Pos	Part Number	Description	Remark	Qty	Model
		Centre part Multicolour	89		
	964 521 003 26 XJ2	Black/black			
	964 521 003 26 XJ3	Mahogany/mahogany			
	964 521 003 26 XJ5	Marine blue/blue			
	964 521 003 26 XJ7	Burgundy/burgundy			
	964 521 003 26 XH6	Linen/linen			
	964 521 003 26 XH9	Cashmere beige/cash. beige			
(1)	964 521 004 26	Comfort seat with seat heating Leatherette/leather	/R	1	
		Centre part Multicolour	89		
	964 521 004 26 XJ2	Black/black			
	964 521 004 26 XJ3	Mahogany/mahogany			
	964 521 004 26 XJ5	Marine blue/blue			
	964 521 004 26 XJ7	Burgundy/burgundy			
	964 521 004 26 XH6	Linen/linen			
	964 521 004 26 XH9	Cashmere beige/cash. beige			
1	964 521 003 32	Comfort seat with Lumbar support Leatherette/leather	/L	1	
		Centre part Multicolour	89		
	964 521 003 32 XJ2	Cashmere beige/			
	964 521 003 32 XJ3	Mahogany/mahogany			
	964 521 003 32 XJ5	Marine blue/blue			
	964 521 003 32 XJ7	Burgundy/burgundy			
	964 521 003 32 XH6	Linen/linen			
	964 521 003 32 XH9	Cashmere beige/cash. beige			
(1)	964 521 004 32	Comfort seat with Lumbar support Leatherette/leather	/R	1	
		Centre part Multicolour	89		
	964 521 004 32 XJ2	Black/black			
	964 521 004 32 XJ3	Mahogany/mahogany			
	964 521 004 32 XJ5	Marine blue/blue			
	964 521 004 32 XJ7	Burgundy/burgundy			
	964 521 004 32 XH6	Linen/linen			
	964 521 004 32 XH9	Cashmere beige/cash. beige			
1	964 521 003 38	Comfort seat Lumbar support with seat heating Leatherette/leather	/L	1	
		Centre part Multicolour	89		
	964 521 003 38 XJ2	Black/black			
	964 521 003 38 XJ3	Mahogany/mahogany			
	964 521 003 38 XJ5	Marine blue/blue			
	964 521 003 38 XJ7	Burgundy/burgundy			
	964 521 003 38 XH6	Linen/linen			
	964 521 003 38 XH9	Cashmere beige/cash. beige			
(1)	964 521 004 38	Comfort seat Lumbar support with seat heating Leatherette/leather	/R	1	
		Centre part Multicolour	89		
	964 521 004 38 XJ2	Black/black			
	964 521 004 38 XJ3	Mahogany/mahogany			

Model: STZ Model life 1985>>1998

Pos	Part Number	Description	Remark	Qty	Model
1	964 521 004 38 XJ5	Marine blue/blue		1	
	964 521 004 38 XJ7	Burgundy/burgundy			
	964 521 004 38 XH6	Linen/linen			
	964 521 004 38 XH9	Cashmere beige/cash. beige			
	964 521 003 20	Comfort seat	/L		
		Leatherette/leather			
		Centre part			
		Porsche lettering cloth			
	964 521 003 20 PZ7	Black/black			
	964 521 003 20 TU6	Mahogany/mahogany			
(1)	964 521 003 20 TR6	Marine blue/marine blue		1	
	964 521 003 20 QA1	Burgundy/burgundy			
	964 521 003 20 QA2	Greyish green/grey-green	-88		
	964 521 003 20 XH4	Linen/linen	89		
	964 521 003 20 XH8	Cashmere beige/cash. beige	89		
	964 521 004 20	Comfort seat	/R		
		Leatherette/leather			
		Centre part			
		Porsche lettering cloth			
	964 521 004 20 PZ7	Black/black			
1	964 521 004 20 TU6	Mahogany/mahogany		1	
	964 521 004 20 TR6	Marine blue/marine blue			
	964 521 004 20 QA1	Burgundy/burgundy			
	964 521 004 20 QA2	Greyish green/grey-green	-88		
	964 521 004 20 XH4	Linen/linen	89		
	964 521 004 20 XH8	Cashmere beige/cash. beige	89		
	964 521 003 26	Comfort seat	/L		
		with seat heating			
		Leatherette/leather			
		Centre part			
(1)	964 521 003 26 PZ7	Black/black		1	
	964 521 003 26 TU6	Mahogany/mahogany			
	964 521 003 26 TR6	Marine blue/marine blue			
	964 521 003 26 QA1	Burgundy/burgundy			
	964 521 003 26 QA2	Greyish green/grey-green	-88		
	964 521 003 26 XH4	Linen/linen	89		
	964 521 003 26 XH8	Cashmere beige/cash. beige	89		
	964 521 004 26	Comfort seat	/R		
		with seat heating			
		Leatherette/leather			
1	964 521 004 26 PZ7	Black/black		1	
	964 521 004 26 TU6	Mahogany/mahogany			
	964 521 004 26 TR6	Marine blue/marine blue			
	964 521 004 26 QA1	Burgundy/burgundy			
	964 521 004 26 QA2	Greyish green/grey-green	-88		
	964 521 004 26 XH4	Linen/linen	89		
	964 521 004 26 XH8	Cashmere beige/cash. beige	89		
	964 521 003 32	Comfort seat	/L		
		with			
		Lumbar support			
1	964 521 003 32 PZ7	Black/black		1	
	964 521 003 32 TU6	Mahogany/mahogany			
	964 521 003 32 TR6	Marine blue/marine blue			
	964 521 003 32 QA1	Burgundy/burgundy			
	964 521 003 32 QA2	Greyish green/grey-green	-88		
	964 521 003 32 XH4	Linen/linen	89		
	964 521 003 32 XH8	Cashmere beige/cash. beige	89		
	964 521 003 32	Comfort seat	/L		
		with			
		Lumbar support			

Model: STZ Model life 1985>>1998

Pos	Part Number	Description	Remark	Qty	Model
(1)	964 521 004 32	Comfort seat with Lumbar support Leatherette/leather Centre part Porsche lettering cloth	/R	1	
	964 521 004 32 PZ7	Black/black			
	964 521 004 32 TU6	Mahogany/mahogany			
	964 521 004 32 TR6	Marine blue/marine blue			
	964 521 004 32 QA1	Burgundy/burgundy			
	964 521 004 32 QA2	Greyish green/grey-green	-88		
	964 521 004 32 XH4	Linen/linen	89		
	964 521 004 32 XH8	Cashmere beige/cash. beige	89		
1	964 521 003 38	Comfort seat Lumbar support with seat heating Leatherette/leather Centre part Porsche lettering cloth	/L	1	
	964 521 003 38 PZ7	Black/black			
	964 521 003 38 TU6	Mahogany/mahogany			
	964 521 003 38 TR6	Marine blue/marine blue			
	964 521 003 38 QA1	Burgundy/burgundy			
	964 521 003 38 QA2	Greyish green/grey-green	-88		
	964 521 003 38 XH4	Linen/linen	89		
	964 521 003 38 XH8	Cashmere beige/cash. beige	89		
(1)	964 521 004 38	Comfort seat Lumbar support with seat heating Leatherette/leather Centre part Porsche lettering cloth	/R	1	
	964 521 004 38 PZ7	Black/black			
	964 521 004 38 TU6	Mahogany/mahogany			
	964 521 004 38 TR6	Marine blue/marine blue			
	964 521 004 38 QA1	Burgundy/burgundy			
	964 521 004 38 QA2	Greyish green/grey-green	-88		
	964 521 004 38 XH4	Linen/linen	89		
	964 521 004 38 XH8	Linen/linen	89		
1	964 521 003 22	Comfort seat Leather/ Centre part Pin stripe velour	/L	1	
	964 521 003 22 LS5	Black/ Black-white			
	964 521 003 22 TU1	Mahogany/ Mahogany-white			
	964 521 003 22 TR1	Blue/ Blue-white			
	964 521 003 22 LS9	Burgundy/ Burgundy-white			
	964 521 003 22 QA7	Greyish green/ Greyish green-white	-88		
	964 521 003 22 XF5	Linen/ Linen white	89		
	964 521 003 22 XF8	Cashmere beige/ Cashmere beige-white	89		
(1)	964 521 004 22	Comfort seat Leather/ Centre part Pin stripe velour	/R	1	
	964 521 004 22 LS5	Black/ Black-white			

Model: STZ Model life 1985>>1998

Pos	Part Number	Description	Remark	Qty	Model
	964 521 004 22 TU1	Mahogany/ Mahogany-white			
	964 521 004 22 TR1	Blue/ Blue-white			
	964 521 004 22 LS9	Burgundy/ Burgundy-white			
	964 521 004 22 QA7	Greyish green/ Greyish green-white	-88		
	964 521 004 22 XF5	Linen/ Linen white	89		
	964 521 004 22 XF8	Cashmere beige/ Cashmere beige-white	89		
1	964 521 003 28	Comfort seat with seat heating Leather/ Centre part Pin stripe velour	/L	1	
	964 521 003 28 LS5	Black/ Black-white			
	964 521 003 28 TU1	Mahogany/ Mahogany-white			
	964 521 003 28 TR1	Blue/ Blue-white			
	964 521 003 28 LS9	Burgundy/ Burgundy-white			
	964 521 003 28 QA7	Greyish green/ Greyish green-white	-88		
	964 521 003 28 XF5	Linen/ Linen white	89		
	964 521 003 28 XF8	Cashmere beige/ Cashmere beige-white	89		
(1)	964 521 004 28	Comfort seat with seat heating Leather/ Centre part Pin stripe velour	/R	1	
	964 521 004 28 LS5	Black/ Black-white			
	964 521 004 28 TU1	Mahogany/ Mahogany-white			
	964 521 004 28 TR1	Blue/ Blue-white			
	964 521 004 28 LS9	Burgundy/ Burgundy-white			
	964 521 004 28 QA7	Greyish green/ Greyish green-white	-88		
	964 521 004 28 XF5	Linen/ Linen white	89		
	964 521 004 28 XF8	Cashmere beige/ Cashmere beige-white	89		
1	964 521 003 34	Comfort seat with Lumbar support Leather/ Centre part Pin stripe velour	/L	1	
	964 521 003 34 LS5	Black/ Black-white			
	964 521 003 34 TU1	Mahogany/ Mahogany-white			
	964 521 003 34 TR1	Blue/ Blue-white			
	964 521 003 34 LS9	Burgundy/ Burgundy-white			

Model: STZ Model life 1985>>1998

Pos	Part Number	Description	Remark	Qty	Model
	964 521 003 34 QA7	Burgundy-white Greyish green/ Greyish green-white	-88		
	964 521 003 34 XF5	Linen/ Linen white	89		
	964 521 003 34 XF8	Cashmere beige/ Cashmere beige-white	89		
(1)	964 521 004 34	Comfort seat with Lumbar support Leather/ Centre part Pin stripe velour	/R	1	
	964 521 004 34 LS5	Black/ Black-white			
	964 521 004 34 TU1	Mahogany/ Mahogany-white			
	964 521 004 34 TR1	Blue/ Blue-white			
	964 521 004 34 LS9	Burgundy/ Burgundy-white			
	964 521 004 34 QA7	Greyish green/ Greyish green-white	-88		
	964 521 004 34 XF5	Linen/ Linen white	89		
	964 521 004 34 XF8	Cashmere beige/ Cashmere beige-white	89		
1	964 521 003 40	Comfort seat Lumbar support with seat heating Leather/ Centre part Pin stripe velour	/L	1	
	964 521 003 40 LS5	Black/ Black-white			
	964 521 003 40 TU1	Mahogany/ Mahogany-white			
	964 521 003 40 TR1	Blue/ Blue-white			
	964 521 003 40 LS9	Burgundy/ Burgundy-white			
	964 521 003 40 QA7	Greyish green/ Greyish green-white	-88		
	964 521 003 40 XF5	Linen/ Linen white	89		
	964 521 003 40 XF8	Cashmere beige/ Cashmere beige-white	89		
(1)	964 521 004 40	Comfort seat Lumbar support with seat heating Leather/ Centre part Pin stripe velour	/R	1	
	964 521 004 40 LS5	Black/ Black-white			
	964 521 004 40 TU1	Mahogany/ Mahogany-white			
	964 521 004 40 TR1	Blue/ Blue-white			
	964 521 004 40 LS9	Burgundy/ Burgundy-white			
	964 521 004 40 QA7	Greyish green/ Greyish green-white	-88		

Model: STZ Model life 1985>>1998

Pos	Part Number	Description	Remark	Qty	Model
	964 521 004 40 XF5	Linen/ Linen white	89		
	964 521 004 40 XF8	Cashmere beige/ Cashmere beige-white	89		
1	964 521 003 22	Comfort seat Leather/ Centre part Pin stripe flannel	/L  -88	1	
	964 521 003 22 QB1	Black/anthracite			
	964 521 003 22 TU2	Mahogany/mahogany			
	964 521 003 22 TR2	Marine blue/blue			
	964 521 003 22 QB7	Burgundy/burgundy			
	964 521 003 22 QA8	Greyish green/grey-green			
(1)	964 521 004 22	Comfort seat Leather/ Centre part Pin stripe flannel	/R  -88	1	
	964 521 004 22 QB1	Black/anthracite			
	964 521 004 22 TU2	Mahogany/mahogany			
	964 521 004 22 TR2	Marine blue/blue			
	964 521 004 22 QB7	Burgundy/burgundy			
	964 521 004 22 QA8	Greyish green/grey-green			
1	964 521 003 28	Comfort seat with seat heating Leather/ Centre part Pin stripe flannel	/L  -88	1	
	964 521 003 28 QB1	Black/anthracite			
	964 521 003 28 TU2	Mahogany/mahogany			
	964 521 003 28 TR2	Marine blue/blue			
	964 521 003 28 QB7	Burgundy/burgundy			
	964 521 003 28 QA8	Greyish green/grey-green			
(1)	964 521 004 28	Comfort seat with seat heating Leather/ Centre part Pin stripe flannel	/R  -88	1	
	964 521 004 28 QB1	Black/anthracite			
	964 521 004 28 TU2	Mahogany/mahogany			
	964 521 004 28 TR2	Marine blue/blue			
	964 521 004 28 QB7	Burgundy/burgundy			
	964 521 004 28 QA8	Greyish green/grey-green			
1	964 521 003 34	Comfort seat with Lumbar support Leather/ Centre part Pin stripe flannel	/L  -88	1	
	964 521 003 34 QB1	Black/anthracite			
	964 521 003 34 TU2	Mahogany/mahogany			
	964 521 003 34 TR2	Marine blue/blue			
	964 521 003 34 QB7	Burgundy/burgundy			
	964 521 003 34 QA8	Greyish green/grey-green			
(1)	964 521 004 34	Comfort seat with Lumbar support Leather/ Centre part Pin stripe flannel	/R  -88	1	
	964 521 004 34 QB1	Black/anthracite			
	964 521 004 34 TU2	Mahogany/mahogany			
	964 521 004 34 TR2	Marine blue/blue			
	964 521 004 34 QB7	Burgundy/burgundy			



Model: STZ Model life 1985>>1998

Pos	Part Number	Description	Remark	Qty	Model
1	964 521 004 34 QA8 964 521 003 40	Greyish green/grey-green Comfort seat Lumbar support with seat heating Leather/ Centre part Pin stripe flannel	/L     -88	1	
(1)	964 521 003 40 QB1 964 521 003 40 TU2 964 521 003 40 TR2 964 521 003 40 QB7 964 521 003 40 QA8 964 521 004 40	Black/anthracite Mahogany/mahogany Marine blue/blue Burgundy/burgundy Greyish green/grey-green Comfort seat Lumbar support with seat heating Leather/ Centre part Pin stripe flannel	     /R   -88	1	
1	964 521 004 40 QB1 964 521 004 40 TU2 964 521 004 40 TR2 964 521 004 40 QB7 964 521 004 40 QA8 964 521 003 22	Black/anthracite Mahogany/mahogany Marine blue/blue Burgundy/burgundy Greyish green/grey-green Comfort seat Leather/ Centre part Multicolour	     /L  89	1	
(1)	964 521 003 22 XG6 964 521 003 22 XG7 964 521 003 22 XG8 964 521 003 22 XG9 964 521 003 22 XF7 964 521 003 22 XG5 964 521 004 22	Black/black Mahogany/mahogany Marine blue/blue Burgundy/burgundy Linen/linen Cashmere beige/cash. beige Comfort seat Leather/ Centre part Multicolour	     /R  89	1	
1	964 521 004 22 XG6 964 521 004 22 XG7 964 521 004 22 XG8 964 521 004 22 XG9 964 521 004 22 XF7 964 521 004 22 XG5 964 521 003 28	Black/black Mahogany/mahogany Marine blue/blue Burgundy/burgundy Linen/linen Cashmere beige/cash. beige Comfort seat with seat heating Leather/ Centre part Multicolour	     /L  89	1	
(1)	964 521 003 28 XG6 964 521 003 28 XG7 964 521 003 28 XG8 964 521 003 28 XG9 964 521 003 28 XF7 964 521 003 28 XG5 964 521 004 28	Black/black Mahogany/mahogany Marine blue/blue Burgundy/burgundy Linen/linen Cashmere beige/cash. beige Comfort seat with seat heating Leather/ Centre part Multicolour	     /R  89	1	
	964 521 004 28 XG6 964 521 004 28 XG7 964 521 004 28 XG8 964 521 004 28 XG9	Black/black Mahogany/mahogany Marine blue/blue Burgundy/burgundy			

Model: STZ Model life 1985>>1998

Pos	Part Number	Description	Remark	Qty	Model
1	964 521 004 28 XF7	Linen/linen			
	964 521 004 28 XG5	Cashmere beige/cash. beige			
	964 521 003 34	Comfort seat with Lumbar support Leather/ Centre part Multicolour	/L    89	1	
	964 521 003 34 XG6	Black/black			
	964 521 003 34 XG7	Mahogany/mahogany			
	964 521 003 34 XG8	Marine blue/blue			
	964 521 003 34 XG9	Burgundy/burgundy			
	964 521 003 34 XF7	Linen/linen			
	964 521 003 34 XG5	Cashmere beige/cash. beige			
(1)	964 521 004 34	Comfort seat with Lumbar support Leather/ Centre part Multicolour	/R    89	1	
1	964 521 004 34 XG6	Black/black			
	964 521 004 34 XG7	Mahogany/mahogany			
	964 521 004 34 XG8	Marine blue/blue			
	964 521 004 34 XG9	Burgundy/burgundy			
	964 521 004 34 XF7	Linen/linen			
	964 521 004 34 XG5	Cashmere beige/cash. beige			
	964 521 003 40	Comfort seat Lumbar support with seat heating Leather/ Centre part Multicolour	/L    89	1	
	964 521 003 40 XG6	Black/black			
	964 521 003 40 XG7	Mahogany/mahogany			
(1)	964 521 003 40 XG8	Marine blue/blue			
	964 521 003 40 XG9	Burgundy/burgundy			
	964 521 003 40 XF7	Linen/linen			
	964 521 003 40 XG5	Cashmere beige/cash. beige			
	964 521 004 40	Comfort seat Lumbar support with seat heating Leather/ Centre part Multicolour	/R    89	1	
	964 521 004 40 XG6	Black/black			
	964 521 004 40 XG7	Mahogany/mahogany			
	964 521 004 40 XG8	Marine blue/blue			
	964 521 004 40 XG9	Burgundy/burgundy			
1	964 521 004 40 XF7	Linen/linen			
	964 521 004 40 XG5	Cashmere beige/cash. beige			
	964 521 003 22	Comfort seat Leather/ Centre part Porsche lettering cloth	/L   	1	
	964 521 003 22 QB2	Black/black			
	964 521 003 22 TU3	Mahogany/mahogany			
	964 521 003 22 TR3	Marine blue/blue			
	964 521 003 22 QB8	Burgundy/burgundy			
	964 521 003 22 QA9	Greyish green/grey-green	-88		
	964 521 003 22 XF6	Linen/linen	89		
(1)	964 521 003 22 XF9	Cashmere beige/cash. beige	89		
(1)	964 521 004 22	Comfort seat Leather/	/R	1	

Model: STZ Model life 1985>>1998

Pos	Part Number	Description	Remark	Qty	Model
		Centre part Porsche lettering cloth			
	964 521 004 22 QB2	Black/black			
	964 521 004 22 TU3	Mahogany/mahogany			
	964 521 004 22 TR3	Marine blue/blue			
	964 521 004 22 QB8	Burgundy/burgundy			
	964 521 004 22 QA9	Greyish green/grey-green	-88		
	964 521 004 22 XF6	Linen/linen	89		
	964 521 004 22 XF9	Linen/linen	89		
1	964 521 003 28	Comfort seat with seat heating Leather/ Centre part Porsche lettering cloth	/L	1	
	964 521 003 28 QB2	Black/black			
	964 521 003 28 TU3	Mahogany/mahogany			
	964 521 003 28 TR3	Marine blue/blue			
	964 521 003 28 QB8	Burgundy/burgundy			
	964 521 003 28 QA9	Greyish green/grey-green	-88		
	964 521 003 28 XF6	Linen/linen	89		
	964 521 003 28 XF9	Cashmere beige/cash. beige	89		
(1)	964 521 004 28	Comfort seat with seat heating Leather/ Centre part Porsche lettering cloth	/R	1	
	964 521 004 28 QB2	Black/black			
	964 521 004 28 TU3	Mahogany/mahogany			
	964 521 004 28 TR3	Marine blue/blue			
	964 521 004 28 QB8	Burgundy/burgundy			
	964 521 004 28 QA9	Greyish green/grey-green	-88		
	964 521 004 28 XF6	Linen/linen	89		
	964 521 004 28 XF9	Cashmere beige/cash. beige	89		
1	964 521 003 34	Comfort seat with Lumbar support Leather/ Centre part Porsche lettering cloth	/L	1	
	964 521 003 34 QB2	Black/black			
	964 521 003 34 TU3	Mahogany/mahogany			
	964 521 003 34 TR3	Marine blue/blue			
	964 521 003 34 QB8	Burgundy/burgundy			
	964 521 003 34 QA9	Greyish green/grey-green	-88		
	964 521 003 34 XF6	Linen/linen	89		
	964 521 003 34 XF9	Cashmere beige/cash. beige	89		
(1)	964 521 004 34	Comfort seat with Lumbar support Leather/ Centre part Porsche lettering cloth	/R	1	
	964 521 004 34 QB2	Black/black			
	964 521 004 34 TU3	Mahogany/mahogany			
	964 521 004 34 TR3	Marine blue/blue			
	964 521 004 34 QB8	Burgundy/burgundy			
	964 521 004 34 QA9	Greyish green/grey-green	-88		
	964 521 004 34 XF6	Linen/linen	89		
	964 521 004 34 XF9	Cashmere beige/cash. beige	89		
1	964 521 003 40	Comfort seat Lumbar support with seat heating Leather/	/L	1	

Model: STZ Model life 1985>>1998

Pos	Part Number	Description	Remark	Qty	Model
		Centre part			
		Porsche lettering cloth			
	964 521 003 40 QB2	Black/black			
	964 521 003 40 TU3	Mahogany/mahogany			
	964 521 003 40 TR3	Marine blue/blue			
	964 521 003 40 QB8	Burgundy/burgundy			
	964 521 003 40 QA9	Greyish green/grey-green	-88		
	964 521 003 40 XF6	Linen/linen	89		
	964 521 003 40 XF9	Cashmere beige/cash. beige	89		
(1)	964 521 004 40	Comfort seat	/R	1	
		Lumbar support			
		with seat heating			
		Leather/			
		Centre part			
		Porsche lettering cloth			
	964 521 004 40 QB2	Black/black			
	964 521 004 40 TU3	Mahogany/mahogany			
	964 521 004 40 TR3	Marine blue/blue			
	964 521 004 40 QB8	Burgundy/burgundy			
	964 521 004 40 QA9	Greyish green/grey-green	-88		
	964 521 004 40 XF6	Linen/linen	89		
	964 521 004 40 XF9	Cashmere beige/cash. beige	89		
3	964 521 003 21	Comfort seat	/L	1	
		Leatherette/			
		Seat and backrest surface			
		Leather			
	964 521 003 21 JN3	Black/black			
	964 521 003 21 TV2	Mahogany			
	964 521 003 21 TS2	Marine blue/marine blue			
	964 521 003 21 NZ8	Burgundy/burgundy			
	964 521 003 21 PX9	Greyish green	-88		
	964 521 003 21 TW2	Linen/linen			
	964 521 003 21 XN3	Cashmere beige	89		
(3)	964 521 004 21	Comfort seat	/R	1	
		Leatherette/			
		Seat and backrest surface			
		Leather			
	964 521 004 21 JN3	Black/black			
	964 521 004 21 TV2	Mahogany			
	964 521 004 21 TS2	Marine blue/marine blue			
	964 521 004 21 NZ8	Burgundy/burgundy			
	964 521 004 21 PX9	Greyish green	-88		
	964 521 004 21 TW2	Linen/linen			
	964 521 004 21 XN3	Cashmere beige	89		
3	964 521 003 27	Comfort seat	/L	1	
		with seat heating			
		Leatherette/			
		Seat and backrest surface			
		Leather			
	964 521 003 27 JN3	Black/black			
	964 521 003 27 TV2	Mahogany			
	964 521 003 27 TS2	Marine blue/marine blue			
	964 521 003 27 NZ8	Burgundy/burgundy			
	964 521 003 27 PX9	Greyish green	-88		
	964 521 003 27 TW2	Linen/linen			
	964 521 003 27 XN3	Cashmere beige	89		
(3)	964 521 004 27	Comfort seat	/R	1	
		with seat heating			
		Leatherette/			
		Seat and backrest surface			
		Leather			
	964 521 004 27 JN3	Black/black			
	964 521 004 27 TV2	Mahogany			

Model: STZ Model life 1985>>1998

Pos	Part Number	Description	Remark	Qty	Model
	964 521 004 27 TS2	Marine blue/marine blue			
	964 521 004 27 NZ8	Burgundy/burgundy			
	964 521 004 27 PX9	Greyish green	-88		
	964 521 004 27 TW2	Linen/linen			
	964 521 004 27 XN3	Cashmere beige	89		
3	964 521 003 33	Comfort seat with Lumbar support Leatherette/ Seat and backrest surface Leather	/L	1	
	964 521 003 33 JN3	Black/black			
	964 521 003 33 TV2	Mahogany			
	964 521 003 33 TS2	Marine blue/marine blue			
	964 521 003 33 NZ8	Burgundy/burgundy			
	964 521 003 33 PX9	Greyish green	-88		
	964 521 003 33 TW2	Linen/linen			
	964 521 003 33 XN3	Cashmere beige	89		
(3)	964 521 004 33	Comfort seat with Lumbar support Leatherette/ Seat and backrest surface Leather	/R	1	
	964 521 004 33 JN3	Black/black			
	964 521 004 33 TV2	Mahogany			
	964 521 004 33 TS2	Marine blue/marine blue			
	964 521 004 33 NZ8	Burgundy/burgundy			
	964 521 004 33 PX9	Greyish green	-88		
	964 521 004 33 TW2	Linen/linen			
	964 521 004 33 XN3	Cashmere beige	89		
3	964 521 003 39	Comfort seat Lumbar support with seat heating Leatherette/ Seat and backrest surface Leather	/L	1	
	964 521 003 39 JN3	Black/black			
	964 521 003 39 TV2	Mahogany			
	964 521 003 39 TS2	Marine blue/marine blue			
	964 521 003 39 NZ8	Burgundy/burgundy			
	964 521 003 39 PX9	Greyish green	-88		
	964 521 003 39 TW2	Linen/linen			
	964 521 003 39 XN3	Cashmere beige	89		
(3)	964 521 004 39	Comfort seat Lumbar support with seat heating Leatherette/ Seat and backrest surface Leather	/R	1	
	964 521 004 39 JN3	Black/black			
	964 521 004 39 TV2	Mahogany			
	964 521 004 39 TS2	Marine blue/marine blue			
	964 521 004 39 NZ8	Burgundy/burgundy			
	964 521 004 39 PX9	Greyish green	-88		
	964 521 004 39 TW2	Linen/linen			
	964 521 004 39 XN3	Cashmere beige	89		
3	964 521 003 23	Comfort seat Whole-leather	/L	1	
	964 521 003 23 KZ2	Black			
	964 521 003 23 TV1	Mahogany			
	964 521 003 23 TS1	Marine blue			
	964 521 003 23 LG7	Burgundy			

Model: STZ Model life 1985>>1998

Pos	Part Number	Description	Remark	Qty	Model
	964 521 003 23 QC2	Greyish green	-88		
	964 521 003 23 XG1	Plum red	-88		
	964 521 003 23 XG2	Silver-grey	-88		
	964 521 003 23 LG5	Champagne	-88		
	964 521 003 23 XG3	Caramel			
	964 521 003 23 TW1	Linen			
	964 521 003 23 XG4	Venetian blue			
	964 521 003 23 XN4	Cashmere beige	89		
	964 521 003 23 XN5	Silk grey	89		
	964 521 003 23 XN6	Velvet red	89		
	964 521 003 23 XN7	Slate grey	89		
(3)	964 521 004 23	Comfort seat Whole-leather	/R	1	
	964 521 004 23 KZ2	Black			
	964 521 004 23 TV1	Mahogany			
	964 521 004 23 TS1	Marine blue			
	964 521 004 23 LG7	Burgundy			
	964 521 004 23 QC2	Greyish green	-88		
	964 521 004 23 XG1	Plum red	-88		
	964 521 004 23 XG2	Silver-grey	-88		
	964 521 004 23 LG5	Champagne	-88		
	964 521 004 23 XG3	Caramel			
	964 521 004 23 TW1	Linen			
	964 521 004 23 XG4	Venetian blue			
	964 521 004 23 XN4	Cashmere beige	89		
	964 521 004 23 XN5	Silk grey	89		
	964 521 004 23 XN6	Velvet red	89		
	964 521 004 23 XN7	Slate grey	89		
3	964 521 003 29	Comfort seat with seat heating Whole-leather	/L	1	
	964 521 003 29 KZ2	Black			
	964 521 003 29 TV1	Mahogany			
	964 521 003 29 TS1	Marine blue			
	964 521 003 29 LG7	Burgundy			
	964 521 003 29 QC2	Greyish green	-88		
	964 521 003 29 XG1	Plum red	-88		
	964 521 003 29 XG2	Silver-grey	-88		
	964 521 003 29 LG5	Champagne	-88		
	964 521 003 29 XG3	Caramel			
	964 521 003 29 TW1	Linen			
	964 521 003 29 XG4	Venetian blue			
	964 521 003 29 XN4	Cashmere beige	89		
	964 521 003 29 XN5	Silk grey	89		
	964 521 003 29 XN6	Velvet red	89		
	964 521 003 29 XN7	Slate grey	89		
(3)	964 521 004 29	Comfort seat with seat heating Whole-leather	/R	1	
	964 521 004 29 KZ2	Black			
	964 521 004 29 TV1	Mahogany			
	964 521 004 29 TS1	Marine blue			
	964 521 004 29 LG7	Burgundy			
	964 521 004 29 QC2	Greyish green	-88		
	964 521 004 29 XG1	Plum red	-88		
	964 521 004 29 XG2	Silver-grey	-88		
	964 521 004 29 LG5	Champagne	-88		
	964 521 004 29 XG3	Caramel			
	964 521 004 29 TW1	Linen			
	964 521 004 29 XG4	Venetian blue			
	964 521 004 29 XN4	Cashmere beige	89		
	964 521 004 29 XN5	Silk grey	89		
	964 521 004 29 XN6	Velvet red	89		

Model: STZ Model life 1985>>1998

Pos	Part Number	Description	Remark	Qty	Model
3	964 521 004 29 XN7	Slate grey	89	1	
	964 521 003 35	Comfort seat with Lumbar support Whole-leather	/L		
	964 521 003 35 KZ2	Black			
	964 521 003 35 TV1	Mahogany			
	964 521 003 35 TS1	Marine blue			
	964 521 003 35 LG7	Burgundy			
	964 521 003 35 QC2	Greyish green	-88		
	964 521 003 35 XG1	Plum red	-88		
	964 521 003 35 XG2	Silver-grey	-88		
	964 521 003 35 LG5	Champagne	-88		
	964 521 003 35 XG3	Caramel			
	964 521 003 35 TW1	Linen			
	964 521 003 35 XG4	Venetian blue			
	964 521 003 35 XN4	Cashmere beige	89		
	964 521 003 35 XN5	Silk grey	89		
	964 521 003 35 XN6	Velvet red	89		
	964 521 003 35 XN7	Slate grey	89		
(3)	964 521 004 35	Comfort seat with Lumbar support Whole-leather	/R	1	
	964 521 004 35 KZ2	Black			
	964 521 004 35 TV1	Mahogany			
	964 521 004 35 TS1	Marine blue			
	964 521 004 35 LG7	Burgundy			
	964 521 004 35 QC2	Greyish green	-88		
	964 521 004 35 XG1	Plum red	-88		
	964 521 004 35 XG2	Silver-grey	-88		
	964 521 004 35 LG5	Champagne	-88		
	964 521 004 35 XG3	Caramel			
	964 521 004 35 TW1	Linen			
	964 521 004 35 XG4	Venetian blue			
	964 521 004 35 XN4	Cashmere beige	89		
	964 521 004 35 XN5	Silk grey	89		
	964 521 004 35 XN6	Velvet red	89		
	964 521 004 35 XN7	Slate grey	89		
	3	964 521 003 41	Comfort seat Lumbar support with seat heating Whole-leather		
964 521 003 41 KZ2		Black			
964 521 003 41 TV1		Mahogany			
964 521 003 41 TS1		Marine blue			
964 521 003 41 LG7		Burgundy			
964 521 003 41 QC2		Greyish green	-88		
964 521 003 41 XG1		Plum red	-88		
964 521 003 41 XG2		Silver-grey	-88		
964 521 003 41 LG5		Champagne	-88		
964 521 003 41 XG3		Caramel			
964 521 003 41 TW1		Linen			
964 521 003 41 XG4		Venetian blue			
964 521 003 41 XN4		Cashmere beige	89		
964 521 003 41 XN5		Silk grey	89		
964 521 003 41 XN6		Velvet red	89		
964 521 003 41 XN7		Slate grey	89		
(3)		964 521 004 41	Comfort seat Lumbar support with seat heating Whole-leather	/R	1
	964 521 004 41 KZ2	Black			

Model: STZ Model life 1985>>1998

Pos	Part Number	Description	Remark	Qty	Model
	964 521 004 41 TV1	Mahogany			
	964 521 004 41 TS1	Marine blue			
	964 521 004 41 LG7	Burgundy			
	964 521 004 41 QC2	Greyish green	-88		
	964 521 004 41 XG1	Plum red	-88		
	964 521 004 41 XG2	Silver-grey	-88		
	964 521 004 41 LG5	Champagne	-88		
	964 521 004 41 XG3	Caramel			
	964 521 004 41 TW1	Linen			
	964 521 004 41 XG4	Venetian blue			
	964 521 004 41 XN4	Cashmere beige	89		
	964 521 004 41 XN5	Silk grey	89		
	964 521 004 41 XN6	Velvet red	89		
	964 521 004 41 XN7	Slate grey	89		
3	964 521 003 24	Comfort seat Draped leather	/L	1	
	964 521 003 24 KZ2	Black			
	964 521 003 24 TV1	Mahogany			
	964 521 003 24 TS1	Marine blue			
	964 521 003 24 LG7	Burgundy			
	964 521 003 24 QC2	Greyish green	-88		
	964 521 003 24 XG1	Plum red	-88		
	964 521 003 24 XG2	Silver-grey	-88		
	964 521 003 24 LG5	Champagne	-88		
	964 521 003 24 XG3	Caramel			
	964 521 003 24 TW1	Linen			
	964 521 003 24 XG4	Venetian blue			
	964 521 003 24 XN4	Cashmere beige	89		
	964 521 003 24 XN5	Silk grey	89		
	964 521 003 24 XN6	Velvet red	89		
	964 521 003 24 XN7	Slate grey	89		
(3)	964 521 004 24	Comfort seat Draped leather	/R	1	
	964 521 004 24 KZ2	Black			
	964 521 004 24 TV1	Mahogany			
	964 521 004 24 TS1	Marine blue			
	964 521 004 24 LG7	Burgundy			
	964 521 004 24 QC2	Greyish green	-88		
	964 521 004 24 XG1	Plum red	-88		
	964 521 004 24 XG2	Silver-grey	-88		
	964 521 004 24 LG5	Champagne	-88		
	964 521 004 24 XG3	Caramel			
	964 521 004 24 TW1	Linen			
	964 521 004 24 XG4	Venetian blue			
	964 521 004 24 XN4	Cashmere beige	89		
	964 521 004 24 XN5	Silk grey	89		
	964 521 004 24 XN6	Velvet red	89		
	964 521 004 24 XN7	Slate grey	89		
3	964 521 003 30	Comfort seat with seat heating Draped leather	/L	1	
	964 521 003 30 KZ2	Black			
	964 521 003 30 TV1	Mahogany			
	964 521 003 30 TS1	Marine blue			
	964 521 003 30 LG7	Burgundy			
	964 521 003 30 QC2	Greyish green	-88		
	964 521 003 30 XG1	Plum red	-88		
	964 521 003 30 XG2	Silver-grey	-88		
	964 521 003 30 LG5	Champagne	-88		
	964 521 003 30 XG3	Caramel			
	964 521 003 30 TW1	Linen			
	964 521 003 30 XG4	Venetian blue			
	964 521 003 30 XN4	Cashmere beige	89		



Model: STZ Model life 1985>>1998

Pos	Part Number	Description	Remark	Qty	Model
(3)	964 521 003 30 XN5	Silk grey	89	1	
	964 521 003 30 XN6	Velvet red	89		
	964 521 003 30 XN7	Slate grey	89		
	964 521 004 30	Comfort seat with seat heating Draped leather	/R		
	964 521 004 30 KZ2	Black			
	964 521 004 30 TV1	Mahogany			
	964 521 004 30 TS1	Marine blue			
	964 521 004 30 LG7	Burgundy			
	964 521 004 30 QC2	Greyish green	-88		
	964 521 004 30 XG1	Plum red	-88		
	964 521 004 30 XG2	Silver-grey	-88		
	964 521 004 30 LG5	Champagne	-88		
	964 521 004 30 XG3	Caramel			
	964 521 004 30 TW1	Linen			
	964 521 004 30 XG4	Venetian blue			
	3	964 521 004 30 XN4	Cashmere beige		
964 521 004 30 XN5		Silk grey	89		
964 521 004 30 XN6		Velvet red	89		
964 521 004 30 XN7		Slate grey	89		
964 521 003 36		Comfort seat with Lumbar support Draped leather	/L		
964 521 003 36 KZ2		Black			
964 521 003 36 TV1		Mahogany			
964 521 003 36 TS1		Marine blue			
964 521 003 36 LG7		Burgundy			
964 521 003 36 QC2		Greyish green	-88		
964 521 003 36 XG1		Plum red	-88		
964 521 003 36 XG2		Silver-grey	-88		
964 521 003 36 LG5		Champagne	-88		
964 521 003 36 XG3		Caramel			
964 521 003 36 TW1		Linen			
964 521 003 36 XG4		Venetian blue			
(3)	964 521 003 36 XN4	Cashmere beige	89	1	
	964 521 003 36 XN5	Silk grey	89		
	964 521 003 36 XN6	Velvet red	89		
	964 521 003 36 XN7	Slate grey	89		
	964 521 004 36	Comfort seat with Lumbar support Draped leather	/R		
	964 521 004 36 KZ2	Black			
	964 521 004 36 TV1	Mahogany			
	964 521 004 36 TS1	Marine blue			
	964 521 004 36 LG7	Burgundy			
	964 521 004 36 QC2	Greyish green	-88		
	964 521 004 36 XG1	Plum red	-88		
	964 521 004 36 XG2	Silver-grey	-88		
	964 521 004 36 LG5	Champagne	-88		
	964 521 004 36 XG3	Caramel			
	964 521 004 36 TW1	Linen			
	964 521 004 36 XG4	Venetian blue			
3	964 521 004 36 XN4	Cashmere beige	89	1	
	964 521 004 36 XN5	Silk grey	89		
	964 521 004 36 XN6	Velvet red	89		
	964 521 004 36 XN7	Slate grey	89		
	964 521 003 42	Comfort seat Lumbar support with seat heating Draped leather	/L		

Model: STZ Model life 1985>>1998

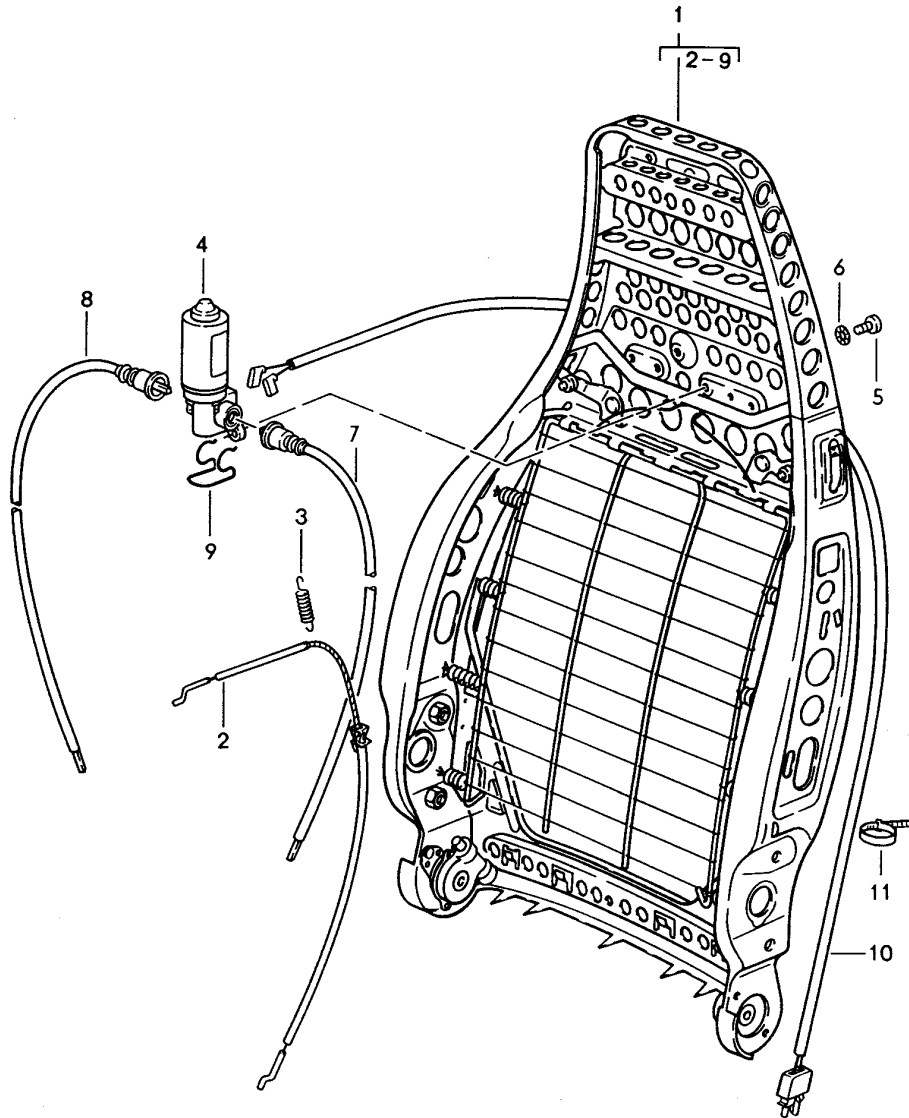
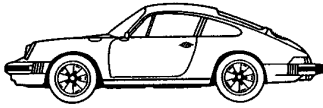
Pos	Part Number	Description	Remark	Qty	Model
	964 521 003 42 KZ2	Black			
	964 521 003 42 TV1	Mahogany			
	964 521 003 42 TS1	Marine blue			
	964 521 003 42 LG7	Burgundy			
	964 521 003 42 QC2	Greyish green	-88		
	964 521 003 42 XG1	Plum red	-88		
	964 521 003 42 XG2	Silver-grey	-88		
	964 521 003 42 LG5	Champagne	-88		
	964 521 003 42 XG3	Caramel			
	964 521 003 42 TW1	Linen			
	964 521 003 42 XG4	Venetian blue			
	964 521 003 42 XN4	Cashmere beige	89		
	964 521 003 42 XN5	Silk grey	89		
	964 521 003 42 XN6	Velvet red	89		
	964 521 003 42 XN7	Slate grey	89		
(3)	964 521 004 42	Comfort seat Lumbar support with seat heating Draped leather	/R	1	
	964 521 004 42 KZ2	Black			
	964 521 004 42 TV1	Mahogany			
	964 521 004 42 TS1	Marine blue			
	964 521 004 42 LG7	Burgundy			
	964 521 004 42 QC2	Greyish green	-88		
	964 521 004 42 XG1	Plum red	-88		
	964 521 004 42 XG2	Silver-grey	-88		
	964 521 004 42 LG5	Champagne	-88		
	964 521 004 42 XG3	Caramel			
	964 521 004 42 TW1	Linen			
	964 521 004 42 XG4	Venetian blue			
	964 521 004 42 XN4	Cashmere beige	89		
	964 521 004 42 XN5	Silk grey	89		
	964 521 004 42 XN6	Velvet red	89		
	964 521 004 42 XN7	Slate grey	89		
3	964 521 003 12	Front seat Elect. vertical adjustment without heating Draped leather Special model with Model year 1988	/L 88	1	JUBI.88
(3)	964 521 003 12 WR2	Silver-blue			
	964 521 004 12	Front seat Elect. vertical adjustment without heating Draped leather Special model with Model year 1988	/R 88	1	JUBI.88
3	964 521 004 12 WR2	Silver-blue			
	964 521 003 12	Front seat Elect. vertical adjustment without heating Draped leather	/L 89	1	M098
(3)	964 521 003 12 SR7	Silk grey			
	964 521 004 12	Front seat Elect. vertical adjustment without heating Draped leather	/R 89	1	M098
3	964 521 004 12 SR7	Silk grey			
	964 521 003 30	Comfort seat	/L 89	1	M099

Model: STZ Model life 1985>>1998

Pos	Part Number	Description	Remark	Qty	Model
(3)	964 521 003 30 SS1 964 521 004 30	with seat heating Draped leather Blue metallic Comfort seat	/R 89	1	M099
4	964 521 004 30 SS1 911 521 547 00	with seat heating Draped leather Blue metallic Screw		6	
5	928 521 717 02	M 10 X 20 Square rod		4	
6	928 521 716 02	for backrest adjustment Lock washer		4	
7	900 249 004 02	for backrest adjustment Countersunk-head screw M 4 X 8		4	
8	928 521 147 02 928 521 147 02 01C 928 521 147 02 4MJ 928 521 147 02 9JJ 928 521 147 02 9MM 928 521 147 02 7XJ 928 521 147 02 3UD	for backrest adjustment Cover Black Mahogany Marine blue Burgundy Linen Cashmere beige	/L      89	2	
(8)	928 521 148 02 928 521 148 02 01C 928 521 148 02 4MJ 928 521 148 02 9JJ 928 521 148 02 9MM 928 521 148 02 7XJ 928 521 148 02 3UD	Cover Black Mahogany Marine blue Burgundy Linen Cashmere beige	/R      89	2	
9	900 025 044 07	Washer A 4,3		8	
10	900 143 113 07	Oval-head screw B 4,2 X 13		8	
10	900 143 113 0G	Oval-head screw B 4,2 X 13		8	
11	928 521 760 04 928 521 760 04 01C	Cover Comfort seat Satin black		2	
(11)	928 521 760 05 928 521 760 05 01C	Cover Elect. vertical adjustment Satin black		2	
12	N 013 959 3	Oval-head sheetmetal screw B 3,5 X 16		4	
12	900 143 016 02	Oval-head sheetmetal screw B 3,5 X 16		4	
13	900 025 013 07	Washer A 3,7		4	
14	900 119 030 02	Pan-head screw M 8 X 20		12	
15	900 089 006 02	Washer 8		12	
15	900 089 006 01	Washer 8		12	
16	911 521 347 00	Stop		2	
17	928 521 101 08	Threaded plate Rear 4 X M 8		X	
18	964 521 701 00	Threaded plate Front and rear 2 X M 8		X	

Model: STZ

Model life 1985>>1998



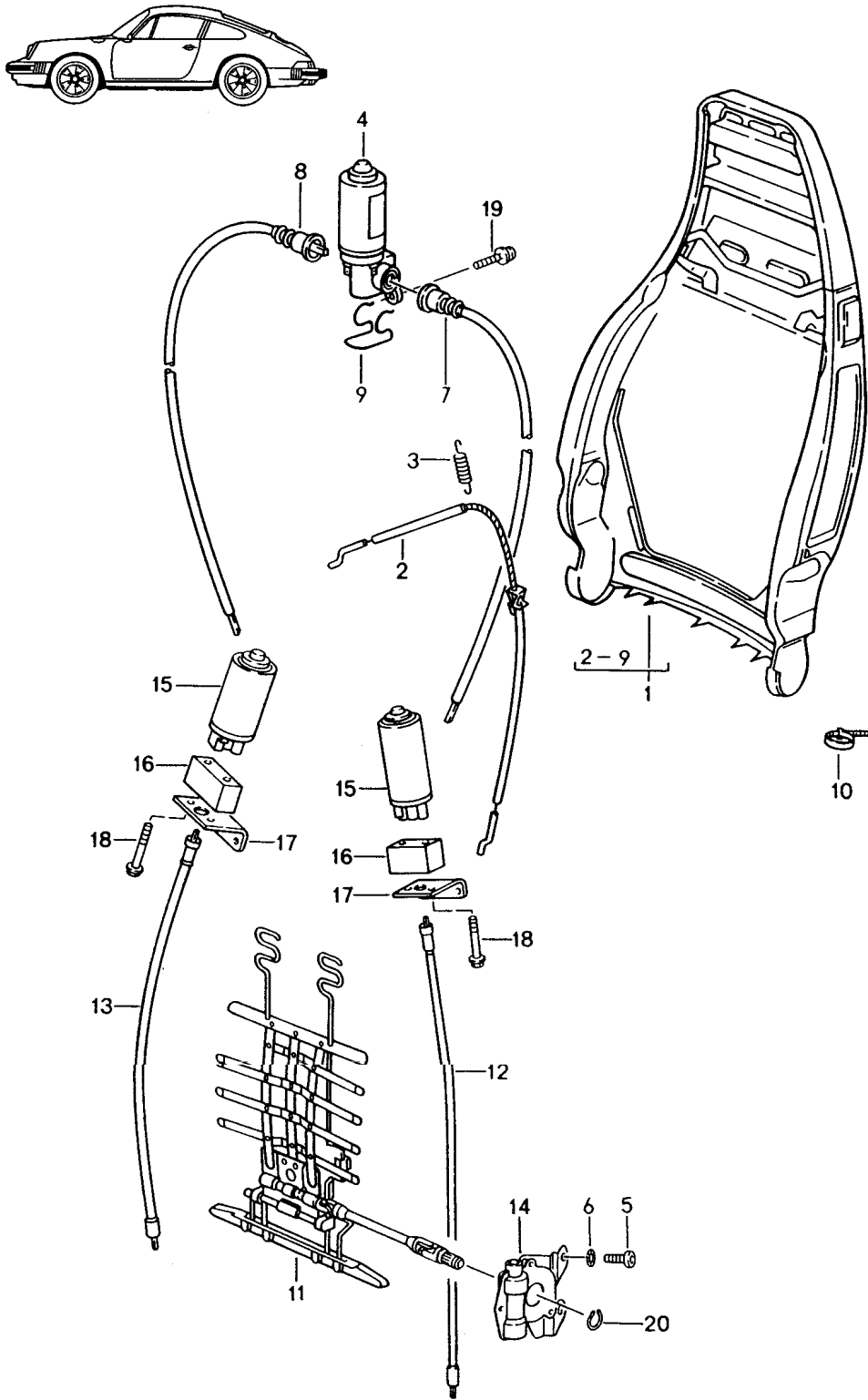
Model: STZ

Model life 1985&gt;&gt;1998

Pos	Part Number	Description	Remark	Qty	Model
		Backrest frame	85-86		911 CARRERA
		Manually			TURBO
		Electric			
(1)	928 521 027 08	Backrest frame	/LL /R	1	CARRERA
		Manually adjustable			
1	928 521 027 10	Backrest frame	/LL /L	2	TURBO
		Electrically adjustable	/LL /R		CARRERA
					M438
2	928 521 093 02	Bowden cable		4	
3	311 881 287 A	Tension spring		4	
		Actuating lever			
4	928 624 126 01	Geared motor		2	
		for backrest adjustment			
5	N 014 128 4	Oval-head screw		4	
		M 5 X 8			
6	N 012 130 2	Shake-proof washer		4	
		A 5,3			
7	928 521 617 02	Shaft	/L	2	
		for backrest adjustment			
8	928 521 618 02	Shaft	/R	2	
		for backrest adjustment			
9	928 521 675 02	Moulded spring		2	
10	928 612 343 00	Connecting line		2	
		for backrest adjustment			
11	N 020 904 4	Tie-wrap		10	TURBO
11		Tie-wrap		5	CARRERA
		6,5 X 120			

Model: STZ

Model life 1985>>1998

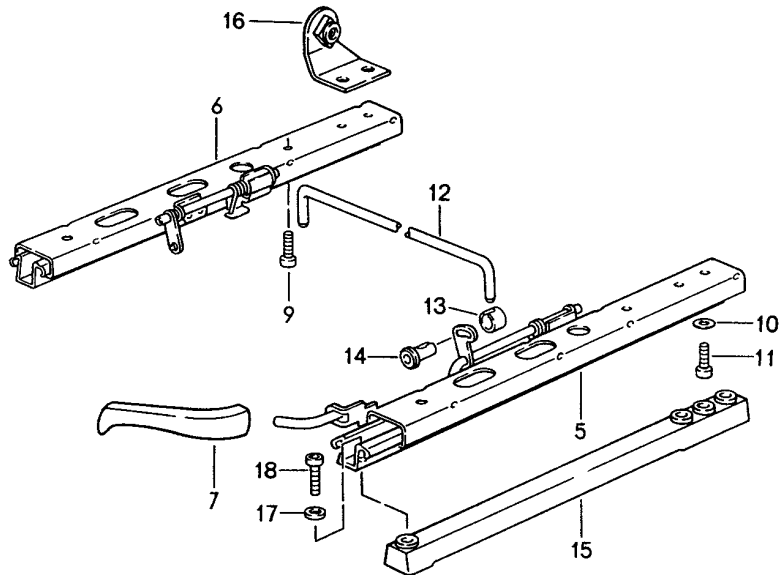
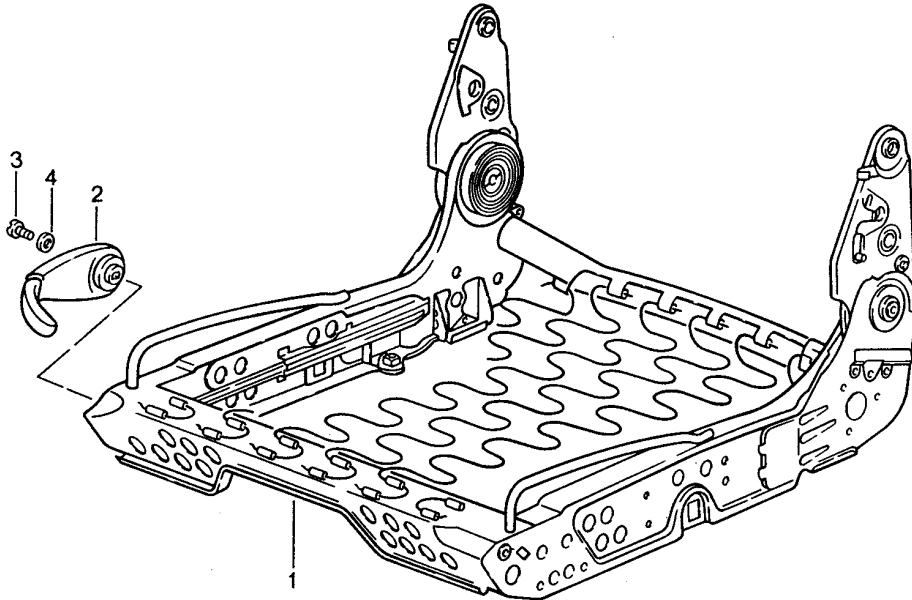
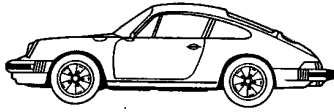


Model: STZ Model life 1985>>1998

Pos	Part Number	Description	Remark	Qty	Model
		Backrest frame Manually Electric Lumbar support	87-89		911 CARRERA TURBO
(1)	928 521 027 08	Backrest frame Manually adjustable		2	
1	928 521 027 10	Backrest frame Electrically adjustable		2	
2	928 521 093 02	Bowden cable		4	
3	311 881 287 A	Tension spring		4	
4	928 624 126 01	Actuating lever Geared motor for backrest adjustment		2	
5	N 014 128 4	Oval-head screw M 5 X 8		4	
6	N 012 130 2	Shake-proof washer A 5,3		4	
7	928 521 617 03	Shaft for backrest adjustment	/L	2	
8	928 521 618 03	Shaft for backrest adjustment	/R	2	
9	928 521 675 02	Moulded spring		2	
10	N 020 904 4	Tie-wrap		10	TURBO
10		Tie-wrap 6,5 X 120		5	CARRERA
11	928 521 135 02	Lumbar support		1	
12	928 521 315 03	Pliable shaft Lumbar support adjustment Curvature		1	
13	928 521 315 02	Pliable shaft Lumbar support adjustment Height		1	
14	928 521 153 03	Transmission		1	
15	928 624 122 02	Adjusting motor Lumbar		1	
16	928 624 199 00	Spacer Lumbar support		4	
17	928 624 057 00	Engine carrier Lumbar support		2	
18	999 919 058 02	Hexagon-head bolt H 5 X 40		4	
19	900 146 117 02	Combination screw M 5 X 12 Z1		4	
20	N 012 411 1	Circlip 11 X 1		2	

Model: STZ

Model life 1985>>1998



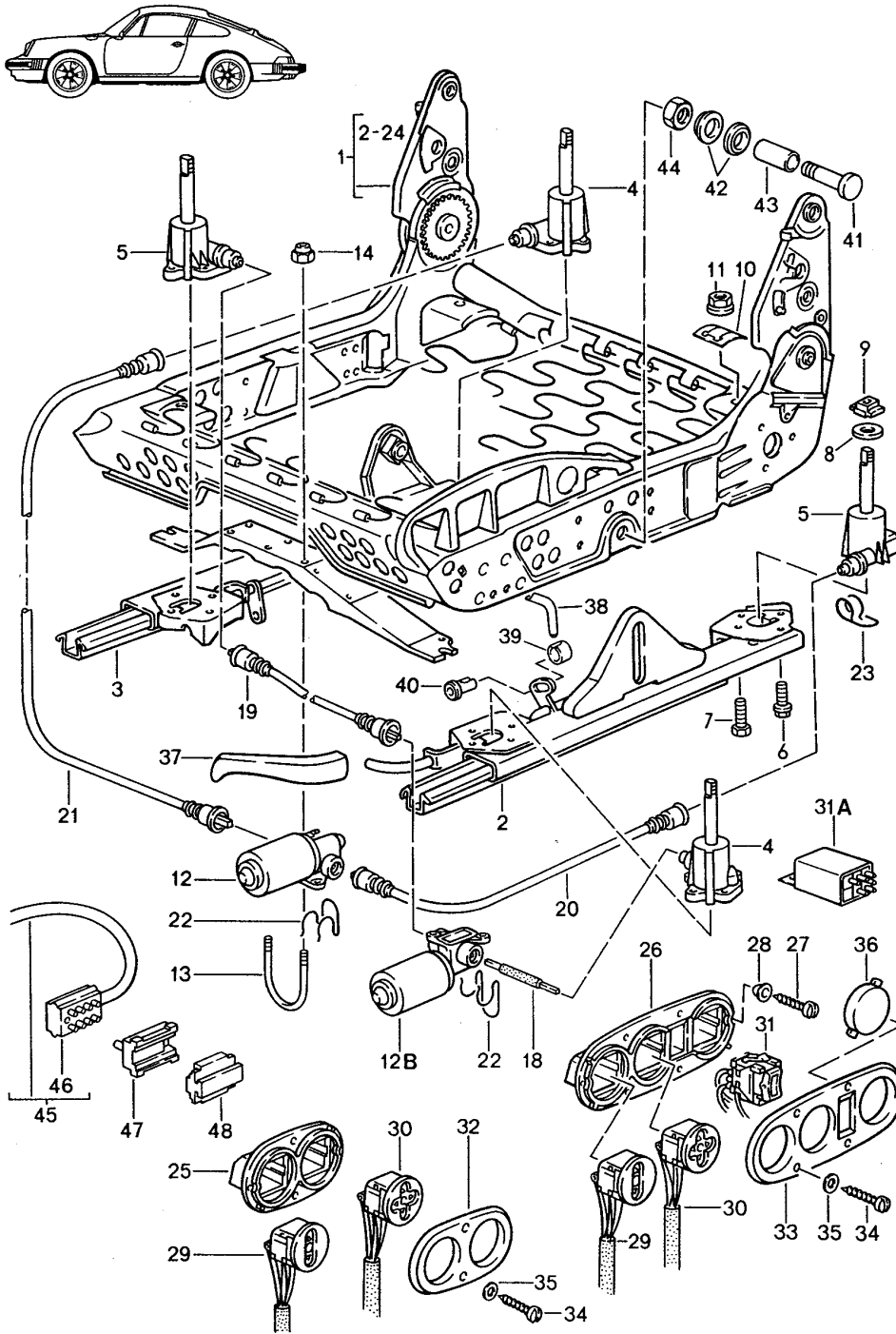


Model: STZ Model life 1985>>1998

Pos	Part Number	Description	Remark	Qty	Model
		Seat frame for manual adjustment	85-86		911 CARRERA
1	993 521 069 00	Seat frame	/L	1	
(1)	993 521 070 00	Seat frame	/R	1	
(2)	964 521 073 00	Lever for backrest adjustment		2	
	964 521 073 00 01C	Satin black			
(2)	964 521 073 01	Lever for backrest adjustment		2	
	964 521 073 01 01C	Black			
3	900 119 011 07	Pan-head screw M 5 X 10		1	
4	900 031 006 07	Washer 5,3		1	
(5)	928 521 490 10	Seat rail Right seat Outer	/LL	1	
(6)	928 521 491 08	Seat rail Right seat Inner	/LL	1	
(7)	911 521 533 01	Handle for longitudinal adjustment		2	
	911 521 533 01 01C	Satin black			
9	900 119 091 02	Pan-head screw M 6 X 15		1	
10	900 025 007 02	Washer A 8,4		6	
10	900 025 007 03	Washer A 8,4		6	
11	900 119 052 02	Pan-head screw M 8 X 16		6	
12	928 521 525 03	Connecting rod for longitudinal adjustment		1	
13	N 902 514 01	Clamping sleeve for longitudinal adjustment		2	
14	N 902 515 01	Guide bush for longitudinal adjustment		2	
15	911 521 493 02	Spacer	/LL /R	2	
15	911 521 493 04	Spacer	/LL /R	2	
(16)	928 521 065 02	Support Seat-belt buckle	/LL /R	1	
17	900 089 006 02	Washer A 8,4		6	
17	900 089 006 01	Washer A 8,4		6	
18	900 119 081 02	Pan-head screw M 8 X 35		6	

Model: STZ

Model life 1985>>1998



Model: STZ Model life 1985>>1998

Pos	Part Number	Description	Remark	Qty	Model
1	928 521 069 12	Seat frame Electric Seat frame Elect. vertical adjustment Elect. backrest adjustment Manual longitudinal adjustment	85-86 /L	1	911 CARRERA TURBO TURBO
(1)	993 521 069 03	Seat frame Comfort seat All-electric	/L	1	
(1)	928 521 070 12	Seat frame Elect. vertical adjustment Elect. backrest adjustment Manual longitudinal adjustment	/R	1	TURBO
(1)	993 521 070 03	Seat frame Comfort seat All-electric	/R	1	
2	928 521 489 11	Seat rail Left seat Outer Elect. vertical adjustment Manual longitudinal adjustment		1	
(2)	928 521 490 11	Seat rail Right seat Outer Elect. vertical adjustment Manual longitudinal adjustment		1	
3	964 521 492 00	Seat rail Elect. vertical adjustment Manual longitudinal adjustment		1	
(3)	964 521 491 00	Seat rail Elect. vertical adjustment Manual longitudinal adjustment		1	
(2)	928 521 489 08	Seat rail Left seat Outer All-electric		1	
(2)	928 521 490 08	Seat rail Right seat Outer All-electric		1	
(3)	928 521 492 11	Seat rail Left seat Inner All-electric		1	
(3)	928 521 491 11	Seat rail Right seat Inner All-electric		1	
4	928 521 721 03	Lifting gear Left front, right rear		4	
5	928 521 722 03	Lifting gear Right front, left rear		4	
6	999 217 033 01	Locking screw M 6 X 16		20	
7	900 186 032 02	Pan-head screw M 6 X 12		8	
8	999 025 129 40	Washer		8	
9	928 521 727 02	Slide		8	
10	928 521 723 02	Guide spring		8	
11	928 521 730 02	Nut		8	
12	928 624 126 01	Geared motor Rear vertical adjustment		2	
(12B)	928 624 136 00	Geared motor		2	

Model: STZ Model life 1985&gt;&gt;1998

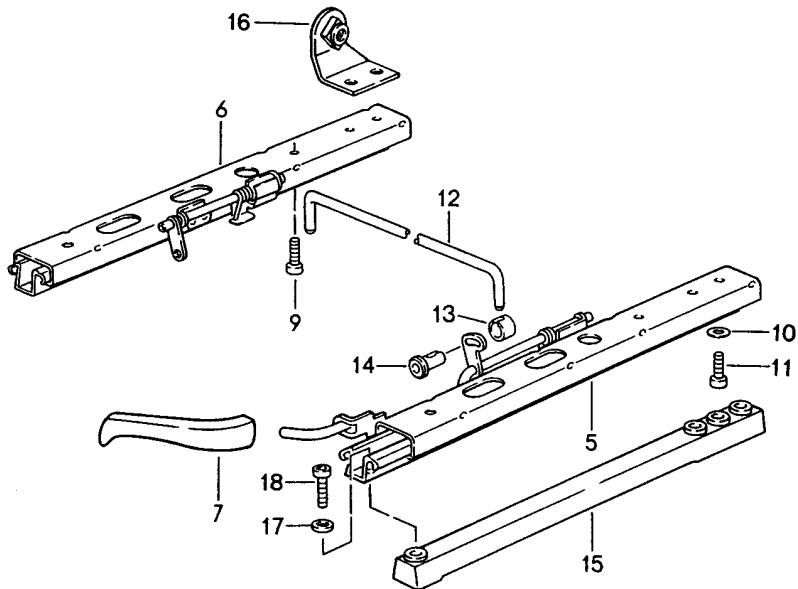
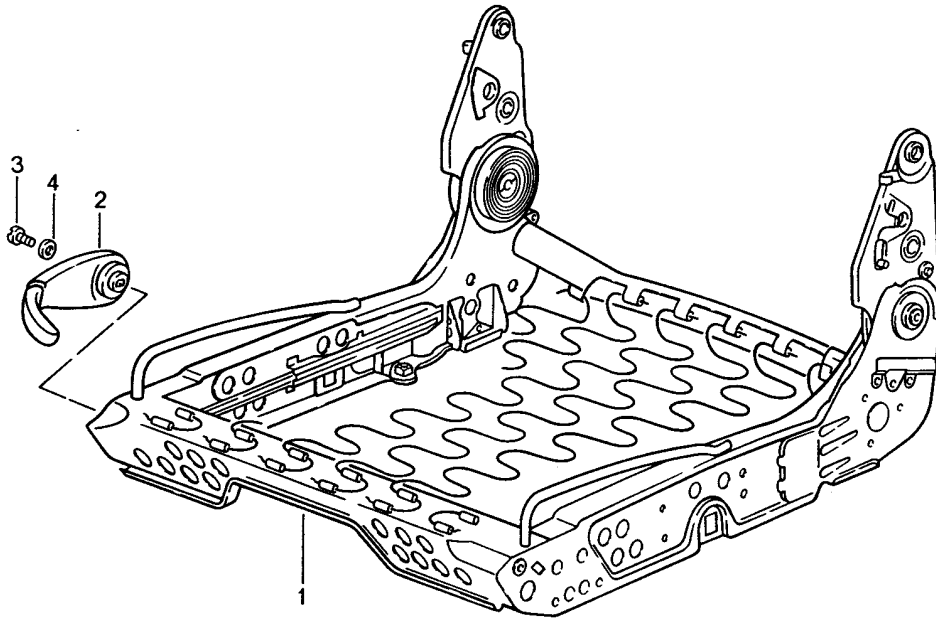
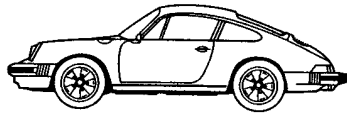
Pos	Part Number	Description	Remark	Qty	Model
12B	928 624 126 01	for longitudinal adjustment Geared motor		2	
13	999 222 001 02	Front vertical adjustment Stirrup bolt		6	
14	900 910 006 02	M 4 Lock nut		12	
14	900 084 020 01	M 4 Lock nut		12	
-	928 521 145 02	M 4 Transmission		2	
-	N 012 130 2	for emergency control Shake-proof washer		4	
-	N 014 128 4	A 5,3 for emergency control Oval-head screw		4	
-	928 521 251 02	M 5 X 6 for emergency control Shaft	/L	2	
-	928 521 251 03	246 MM for longitudinal adjustment Shaft	/L	2	
-	928 521 252 03	265 MM for longitudinal adjustment Shaft	/R	2	
-	928 521 252 04	for longitudinal adjustment Shaft	/R	2	
18	928 521 671 03	265 MM for longitudinal adjustment Shaft	/L	2	
19	928 521 672 02	Front vertical adjustment Pliable shaft	/R	2	
20	928 521 673 05	Front vertical adjustment Flexible shaft	/L	2	
21	928 521 674 02	Rear vertical adjustment Pliable shaft	/R	2	
22	928 521 675 02	Rear vertical adjustment Moulded spring		6	
23	928 521 699 00	for engine Moulded spring		6	
-	999 591 730 00	Transmission Lock washer		6	
25	928 521 559 04	for Switch insert		2	
26	928 521 559 02	Switch insert	/L	1	
(26)	928 521 560 02	Seat heater Switch insert	/R	1	
27	N 013 988 1	Seat heater Counters. head tapp. screw		4	
28	999 591 849 07	B 3,5 X 16 Washer		4	
29	928 613 181 00	Switch		4	
(29)	928 613 182 00	Front vertical adjustment Rear vertical adjustment Switch		2	
30	928 613 183 00	for longitudinal adjustment Front vertical adjustment Switch		2	
31	928 613 187 01	for backrest adjustment Rear vertical adjustment Switch	/L	1	
31	928 613 188 01	Seat heater Switch	/R	1	

Model: STZ Model life 1985>>1998

Pos	Part Number	Description	Remark	Qty	Model
31A	928 618 521 00	Seat heater Relay		2	
32	928 521 561 04	Seat heater Trim for switch		2	
	928 521 561 04 01C	Satin black			
33	928 521 561 03	Trim for switch Seat heater		2	
	928 521 561 03 01C	Satin black			
34	N 013 959 3	Oval-head sheetmetal screw B 3,5 X 16		X	
34	900 143 016 02	Oval-head sheetmetal screw B 3,5 X 16		X	
35	900 025 013 07	Washer A 3,7		X	
36	928 613 425 00	Cover Switch Seat heater		X	
(37)	911 521 533 01	Handle for longitudinal adjustment		2	
	911 521 533 01 01C	Satin black			
38	928 521 525 03	Connecting rod		2	
39	N 902 514 01	Clamping sleeve		4	
40	N 902 515 01	Guide bush		4	
41	928 521 681 02	Bolt		4	
42	928 521 683 02	Washer 1,5 PA 6		8	
43	928 521 685 02	Bush		4	
44	900 034 003 02	Hexagon nut M 10		4	
45	911 612 521 01	Wiring harness for electric seat equipment		1	
46	944 612 117 00	Connector housing 8-pole		2	
47	999 652 395 40	Connector housing 8-pole		2	
48	999 652 396 40	Clip 8-pole		2	
-	N 020 904 4	Tie-wrap 6,5 X 120		5	

Model: STZ

Model life 1985>>1998

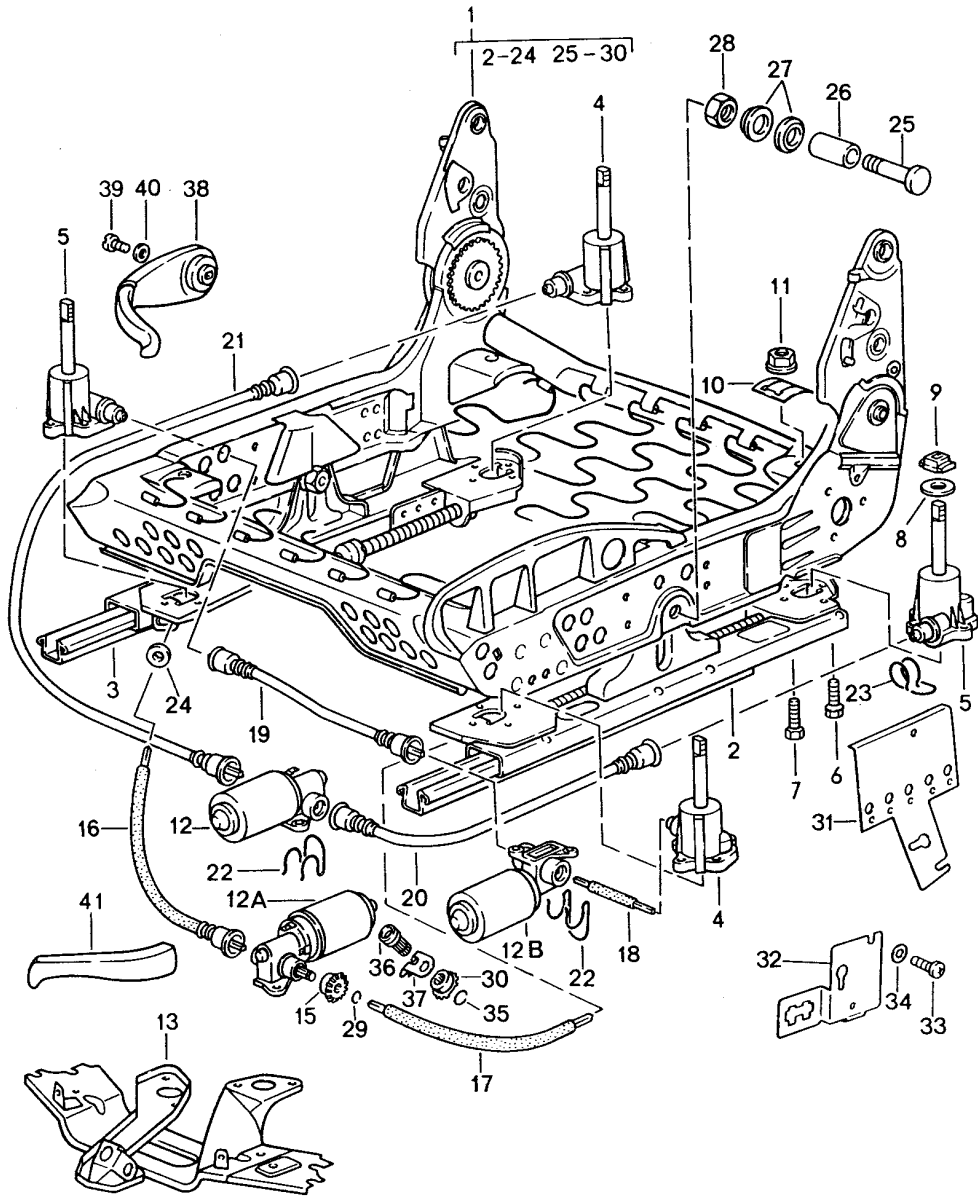
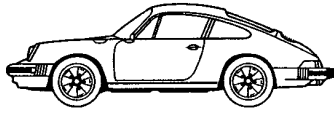


Model: STZ Model life 1985>>1998

Pos	Part Number	Description	Remark	Qty	Model
		Seat frame for manual adjustment	87-89		911 CARRERA TURBO
1	993 521 069 00	Seat frame	/L	1	
(1)	993 521 070 00	Seat frame	/R	1	
(2)	964 521 073 00	Lever for backrest adjustment		2	
	964 521 073 00 01C	Satin black			
(2)	964 521 073 01	Lever for backrest adjustment		2	
	964 521 073 01 01C	Black			
3	900 119 011 07	Pan-head screw M 5 X 10		1	
4	900 031 006 07	Washer 5,3		1	
5	928 521 489 10	Seat rail Left seat Outer		1	
(5)	928 521 490 10	Seat rail Right seat Outer		1	
6	928 521 492 08	Seat rail Left seat Inner		1	
(6)	928 521 491 08	Seat rail Right seat Inner		1	
(7)	911 521 533 01	Handle for longitudinal adjustment		2	
	911 521 533 01 01C	Satin black			
9	900 119 091 02	Pan-head screw M 6 X 15		1	
10	900 025 007 02	Washer A 8,4		6	
10	900 025 007 03	Washer A 8,4		6	
11	900 119 052 02	Pan-head screw M 8 X 16		6	
12	928 521 525 03	Connecting rod for longitudinal adjustment		1	
13	N 902 514 01	Clamping sleeve for longitudinal adjustment		2	
14	N 902 515 01	Guide bush for longitudinal adjustment		2	
15	911 521 493 02	Spacer		2	
15	911 521 493 04	Spacer		2	
(16)	928 521 065 02	Support for Seat-belt buckle	/L -88	1	
16	928 521 066 02	Support for Seat-belt buckle	/R -88	1	
(16)	964 521 065 00	Support for Seat-belt buckle	89-	2	
17	900 031 105 01	Washer A 8,4		6	
17	900 031 001 02	Washer A 8,4		6	
17	900 031 105 01	Washer A 8,4		6	
18	900 119 081 02	Pan-head screw M 8 X 35		6	

Model: STZ

Model life 1985>>1998





Model: STZ Model life 1985>>1998

Pos	Part Number	Description	Remark	Qty	Model
1	993 521 069 03	Seat frame Electric	87-89	1	911 CARRERA TURBO
(1)	993 521 070 03	Seat frame All-electric	/L	1	
1	928 521 069 12	Seat frame	/R	1	
(1)	928 521 070 12	Seat frame Elect. vertical adjustment Elect. backrest adjustment Manual longitudinal adjustment	/L	1	
1	993 521 069 01	Seat frame	/R	1	
(1)	993 521 070 01	Seat frame Elect. vertical adjustment	/L	1	
(1)		Seat frame	/R	1	
2	928 521 489 08	Seat rail Left seat Outer		1	
(2)	928 521 490 08	Seat rail Right seat Outer		1	
(3)	928 521 491 11	Seat rail Right seat Inner		1	
(3)	964 521 491 01	Seat rail Right seat Inner All-electric F >>91KS1 20886 F >>91KS1 60721 F >>91KS1 71041 F >>93KS0 50446 F >>93KS0 70417 F >>93KS0 60089		1	COUPE TARGA CABRIO TURBO COUPE TURBO CABRIO TURBO TARGA
3	928 521 492 11	Seat rail Left seat Inner		1	
(3)	964 521 492 01	Seat rail Left seat Inner All-electric F >>91KS1 20886 F >>91KS1 60721 F >>91KS1 71041 F >>93KS0 50446 F >>93KS0 70417 F >>93KS0 60089		1	COUPE TARGA CABRIO TURBO COUPE TURBO CABRIO TURBO TARGA
		F 91KS1 20887>>			COUPE

Model: STZ Model life 1985>>1998

Pos	Part Number	Description	Remark	Qty	Model
2	928 521 489 11	F 91KS1 60722>> F 91KS1 71042>> F 93KS0 50447>> F 93KS0 70418>> F 93KS0 60090>> Seat rail Left seat Outer Elect. vertical adjustment		1	TARGA CABRIO TURBO COUPE TURBO CABRIO TURBO TARGA
(2)	928 521 490 11	Seat rail Right seat Outer Elect. vertical adjustment		1	
3	964 521 492 00	Seat rail Left seat Inner Elect. vertical adjustment F >>91KS1 20886 F >>91KS1 60721 F >>91KS1 71041 F >>93KS0 50446 F >>93KS0 70417 F >>93KS0 60089		1	COUPE TARGA CABRIO TURBO COUPE TURBO CABRIO TURBO TARGA
(3)		Seat rail Left seat Inner Elect. vertical adjustment F 91KS1 20887>> F 91KS1 60722>> F 91KS1 71042>> F 93KS0 50447>> F 93KS0 70418>> F 93KS0 60090>>		1	COUPE TARGA CABRIO TURBO COUPE TURBO CABRIO TURBO TARGA
(3)	964 521 491 00	Seat rail Right seat Inner Elect. vertical adjustment F >>91KS1 20886 F >>91KS1 60721 F >>91KS1 71041 F >>93KS0 50446 F >>93KS0 70417 F >>93KS0 60089		1	COUPE TARGA CABRIO TURBO COUPE TURBO CABRIO TURBO TARGA
(3)		Seat rail Right seat Inner Elect. vertical adjustment F 91KS1 20887>> F 91KS1 60722>> F 91KS1 71042>> F 93KS0 50447>> F 93KS0 70418>> F 93KS0 60090>>		1	COUPE TARGA CABRIO TURBO COUPE TURBO CABRIO TURBO TARGA
4	928 521 721 03	Lifting gear Left front, right rear		4	
5	928 521 722 03	Lifting gear Right front, left rear		4	
6	999 217 033 01	Locking screw M 6 X 16		20	
7	900 186 032 02	Pan-head screw M 6 X 12		8	
8	999 025 129 40	Washer		8	
9	928 521 727 02	Slide		8	

Model: STZ Model life 1985>>1998

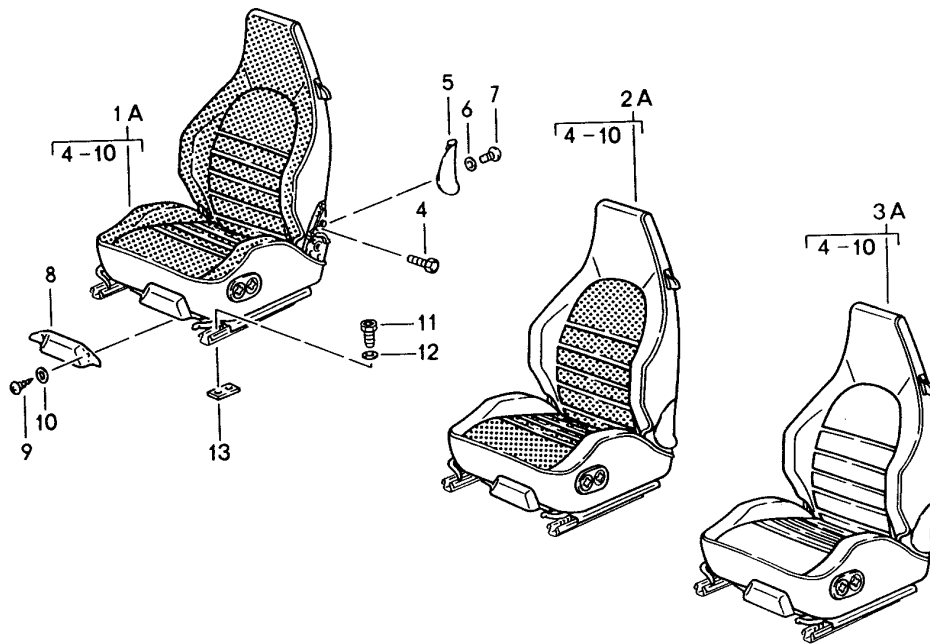
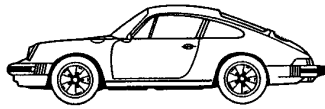
Pos	Part Number	Description	Remark	Qty	Model
10	928 521 723 02	Guide spring		8	
11	928 521 730 02	Nut		8	
12	928 624 126 01	Geared motor Rear vertical adjustment		2	
12A	928 624 136 00	Geared motor for longitudinal adjustment		2	
12B	928 624 126 01	Geared motor Front vertical adjustment		2	
13	928 521 033 03	Engine support		2	
15	928 521 818 03	Bevel pinion for emergency control		2	
16	928 521 251 03	Shaft for longitudinal adjustment	/L	2	
17	928 521 252 04	Shaft for longitudinal adjustment	/R	2	
18	928 521 671 03	Shaft Front vertical adjustment	/L	2	
19	928 521 672 03	Shaft Front vertical adjustment	/R	2	
20	928 521 673 05	Flexible shaft Rear vertical adjustment	/L	2	
21	928 521 674 05	Flexible shaft Rear vertical adjustment	/R	2	
21	928 521 674 06	Flexible shaft Rear vertical adjustment	/R	2	
22	928 521 675 02	Moulded spring for engine		6	
23	928 521 699 00	Moulded spring Transmission		6	
24	999 591 778 02	Support Shaft for longitudinal adjustment		6	
25	928 521 681 02	Bolt 1,5 PA 6		4	
26	928 521 685 02	Bush		4	
27	928 521 683 02	Washer 1,5 PA 6		8	
28	900 034 003 02	Hexagon nut M 10		4	
29	900 906 005 01	Circlip A 8		2	
30	928 521 818 04	Bevel pinion for emergency control		2	
31	928 653 501 03	Bracket		2	
32	928 653 503 02	Bracket		2	
33	N 014 133 8	Oval-head screw M 5 X 12		2	
34	900 025 003 02	Washer A 5,3		2	
35	N 042 499 1	Circlip A 12		2	
36	928 521 816 03	Bearing pin		2	
37	928 521 686 00	Moulded spring		2	
(38)	964 521 073 00	Lever for backrest adjustment		2	
	964 521 073 00 01C	Satin black			
(38)	964 521 073 01	Lever for backrest adjustment		2	
	964 521 073 01 01C	Black			
39	900 119 011 07	Pan-head screw M 5 X 10		2	
40	900 031 006 07	Washer 5,3		2	

**Model: STZ** **Model life 1985>>1998**

Pos	Part Number	Description	Remark	Qty	Model
(41)	911 521 533 01 911 521 533 01 01C	Handle for longitudinal adjustment Satin black		2	

Model: STZ

Model life 1985>>1998



Model: STZ Model life 1985>>1998

Pos	Part Number	Description	Remark	Qty	Model
1A	944 521 001 01	Sports seat Complete	85-86	1	911 CARRERA TURBO M383
		Sports seat without heating	/L		
		Leatherette/			
		Seat and backrest surface			
		Pin stripe velour			
	944 521 001 01 NY5	Black/			
		Black-white			
	944 521 001 01 NY7	Brown/			
		Brown-beige			
	944 521 001 01 QA3	Blue/			
		Blue-white			
	944 521 001 01 NY8	Burgundy/			
		Burgundy-white			
	944 521 001 01 QA4	Greyish green/			
		Greyish green-white			
	944 521 001 01 RU3	Grey-beige/	86		
		Grey-beige-white			
(1A)	944 521 002 01	Sports seat without heating	/R	1	M387
		Leatherette/			
		Seat and backrest surface			
		Pin stripe velour			
	944 521 002 01 NY5	Black/			
		Black-white			
	944 521 002 01 NY7	Brown/			
		Brown-beige			
	944 521 002 01 QA3	Blue/			
		Blue-white			
	944 521 002 01 NY8	Burgundy/			
		Burgundy-white			
	944 521 002 01 QA4	Greyish green/			
		Greyish green-white			
	944 521 002 01 RU3	Grey-beige/	86		
		Grey-beige-white			
(1A)	944 521 001 03	Sports seat with heating	/L	1	M383
		Leatherette/			
		Seat and backrest surface			
		Pin stripe velour			
	944 521 001 03 NY5	Black/			
		Black-white			
	944 521 001 03 NY7	Brown/			
		Brown-beige			
	944 521 001 03 QA3	Blue/			
		Blue-white			
	944 521 001 03 NY8	Burgundy/			
		Burgundy-white			
	944 521 001 03 QA4	Greyish green/			
		Greyish green-white			
	944 521 001 03 RU3	Grey-beige/	86		
		Grey-beige-white			
(1A)	944 521 002 03	Sports seat with heating	/R	1	M387
		Leatherette/			
		Seat and backrest surface			
		Pin stripe velour			
	944 521 002 03 NY5	Black/			
		Black-white			
	944 521 002 03 NY7	Brown/			
		Brown-beige			
	944 521 002 03 QA3	Blue/			

Model: STZ Model life 1985>>1998

Pos	Part Number	Description	Remark	Qty	Model
	944 521 002 03 NY8	Blue-white			
	944 521 002 03 QA4	Burgundy/ Burgundy-white			
	944 521 002 03 RU3	Greyish green/ Greyish green-white	86		
1A	944 521 001 01	Grey-beige/ Grey-beige-white			
		Sports seat without heating	/L	1	M383
		Leatherette/ Seat and backrest surface			
		Pin stripe flannel			
	944 521 001 01 NY9	Black/anthracite			
	944 521 001 01 NZ6	Brown/brown			
	944 521 001 01 QA6	Blue/blue			
	944 521 001 01 NZ5	Burgundy/burgundy			
	944 521 001 01 QA5	Greyish green/grey-green			
(1A)	944 521 002 01	Sports seat without heating	/R	1	M387
		Leatherette/ Seat and backrest surface			
		Pin stripe flannel			
	944 521 002 01 NY9	Black/anthracite			
	944 521 002 01 NZ6	Brown/brown			
	944 521 002 01 QA6	Blue/blue			
	944 521 002 01 NZ5	Burgundy/burgundy			
	944 521 002 01 QA5	Greyish green/grey-green			
(1A)	944 521 001 03	Sports seat with heating	/L	1	M383
		Leatherette/ Seat and backrest surface			
		Pin stripe flannel			
	944 521 001 03 NY9	Black/anthracite			
	944 521 001 03 NZ6	Brown/brown			
	944 521 001 03 QA6	Blue/blue			
	944 521 001 03 NZ5	Burgundy/burgundy			
	944 521 001 03 QA5	Greyish green/grey-green			
(1A)	944 521 002 03	Sports seat with heating	/R	1	M387
		Leatherette/ Seat and backrest surface			
		Pin stripe flannel			
	944 521 002 03 NY9	Black/anthracite			
	944 521 002 03 NZ6	Brown/brown			
	944 521 002 03 QA6	Blue/blue			
	944 521 002 03 NZ5	Burgundy/burgundy			
	944 521 002 03 QA5	Greyish green/grey-green			
1A	944 521 001 01	Sports seat without heating	/L	1	M383
		Leatherette/ Seat and backrest surface			
		Porsche lettering cloth			
	944 521 001 01 PX2	Black/black			
	944 521 001 01 PX4	Brown/brown			
	944 521 001 01 PX7	Blue/blue			
	944 521 001 01 PX6	Burgundy/burgundy			
	944 521 001 01 PX8	Greyish green/grey-green			
	944 521 001 01 QD9	Grey-beige/grey-beige	86		
(1A)	944 521 002 01	Sports seat without heating	/R	1	M387
		Leatherette/ Seat and backrest surface			
		Porsche lettering cloth			

Model: STZ Model life 1985>>1998

Pos	Part Number	Description	Remark	Qty	Model
(1A)	944 521 002 01 PX2	Black/black			
	944 521 002 01 PX4	Brown/brown			
	944 521 002 01 PX7	Blue/blue			
	944 521 002 01 PX6	Burgundy/burgundy			
	944 521 002 01 PX8	Greyish green/grey-green			
	944 521 002 01 QD9	Grey-beige/grey-beige	86		
	944 521 001 03	Sports seat with heating Leatherette/ Seat and backrest surface Porsche lettering cloth	/L	1	M383
	944 521 001 03 PX2	Black/black			
	944 521 001 03 PX4	Brown/brown			
944 521 001 03 PX7	Blue/blue				
944 521 001 03 PX6	Burgundy/burgundy				
944 521 001 03 PX8	Greyish green/grey-green				
944 521 001 03 QD9	Grey-beige/grey-beige	86			
(1A) 944 521 002 03	Sports seat with heating Leatherette/ Seat and backrest surface Porsche lettering cloth	/R	1	M387	
2A	944 521 002 03 PX2	Black/black			
	944 521 002 03 PX4	Brown/brown			
	944 521 002 03 PX7	Blue/blue			
	944 521 002 03 PX6	Burgundy/burgundy			
	944 521 002 03 PX8	Greyish green/grey-green			
	944 521 002 03 QD9	Grey-beige/grey-beige	86		
	(2A) 944 521 001 50	Sports seat without heating Leatherette/leather Centre part in cloth Pin stripe velour	/L	1	M383
	944 521 001 50 PY1	Black/black Black-white			
	944 521 001 50 PY2	Brown/brown Brown-beige			
944 521 001 50 PY3	Blue/blue Blue-white				
944 521 001 50 PY4	Burgundy/burgundy Burgundy-white				
944 521 001 50 PY5	Greyish green/grey-green Greyish green-white				
944 521 001 50 RU4	Grey-beige/grey-beige Grey-beige-white	86			
(2A) 944 521 002 50	Sports seat without heating Leatherette/leather Centre part in cloth Pin stripe velour	/R	1	M387	
(2A)	944 521 002 50 PY1	Black/black Black-white			
	944 521 002 50 PY2	Brown/brown Brown-beige			
	944 521 002 50 PY3	Blue/blue Blue-white			
	944 521 002 50 PY4	Burgundy/burgundy Burgundy-white			
	944 521 002 50 PY5	Greyish green/grey-green Greyish green-white			
	944 521 002 50 RU4	Grey-beige/grey-beige Grey-beige-white	86		
	(2A) 944 521 001 55	Sports seat	/L	1	M383



Model: STZ Model life 1985>>1998

Pos	Part Number	Description	Remark	Qty	Model
		with heating Leatherette/leather Centre part in cloth Pin stripe velour			
	944 521 001 55 PY1	Black/black			
		Black-white			
	944 521 001 55 PY2	Brown/brown			
		Brown-beige			
	944 521 001 55 PY3	Blue/blue			
		Blue-white			
	944 521 001 55 PY4	Burgundy/burgundy			
		Burgundy-white			
	944 521 001 55 PY5	Greyish green/grey-green			
		Greyish green-white			
	944 521 001 55 RU4	Grey-beige/grey-beige	86		
		Grey-beige-white			
(2A)	944 521 002 55	Sports seat with heating Leatherette/leather Centre part in cloth Pin stripe velour	/R	1	M387
		with heating Leatherette/leather Centre part in cloth Pin stripe velour			
	944 521 002 55 PY1	Black/black			
		Black-white			
	944 521 002 55 PY2	Brown/brown			
		Brown-beige			
	944 521 002 55 PY3	Blue/blue			
		Blue-white			
	944 521 002 55 PY4	Burgundy/burgundy			
		Burgundy-white			
	944 521 002 55 PY5	Greyish green/grey-green			
		Greyish green-white			
	944 521 002 55 RU4	Grey-beige/grey-beige	86		
		Grey-beige-white			
2A	944 521 001 50	Sports seat without heating Leatherette/leather Centre part in cloth Pin stripe flannel	/L	1	M383
		without heating Leatherette/leather Centre part in cloth Pin stripe flannel			
	944 521 001 50 PZ2	Black/black			
		Anthracite			
	944 521 001 50 PZ3	Brown/brown			
		Brown			
	944 521 001 50 PZ4	Blue/blue			
		Blue			
	944 521 001 50 PZ5	Burgundy/burgundy			
		Burgundy			
	944 521 001 50 PZ6	Greyish green/grey-green			
		Greyish green			
(2A)	944 521 002 50	Sports seat without heating Leatherette/leather Centre part in cloth Pin stripe flannel	/R	1	M387
		without heating Leatherette/leather Centre part in cloth Pin stripe flannel			
	944 521 002 50 PZ2	Black/black			
		Anthracite			
	944 521 002 50 PZ3	Brown/brown			
		Brown			
	944 521 002 50 PZ4	Blue/blue			
		Blue			
	944 521 002 50 PZ5	Burgundy/burgundy			
		Burgundy			
	944 521 002 50 PZ6	Greyish green/grey-green			
		Greyish green			

Model: STZ Model life 1985&gt;&gt;1998

Pos	Part Number	Description	Remark	Qty	Model
(2A)	944 521 001 55	Sports seat with heating Leatherette/leather Centre part in cloth Pin stripe flannel	/L	1	M383
	944 521 001 55 PZ2	Black/black Anthracite			
	944 521 001 55 PZ3	Brown/brown Brown			
	944 521 001 55 PZ4	Blue/blue Blue			
	944 521 001 55 PZ5	Burgundy/burgundy Burgundy			
	944 521 001 55 PZ6	Greyish green/grey-green Greyish green			
(2A)	944 521 002 55	Sports seat with heating Leatherette/leather Centre part in cloth Pin stripe flannel	/R	1	M387
	944 521 002 55 PZ2	Black/black Anthracite			
	944 521 002 55 PZ3	Brown/brown Brown			
	944 521 002 55 PZ4	Blue/blue Blue			
	944 521 002 55 PZ5	Burgundy/burgundy Burgundy			
	944 521 002 55 PZ6	Greyish green/grey-green Greyish green			
2A	944 521 001 50	Sports seat without heating Leatherette/leather Centre part Porsche lettering cloth	/L	1	M383
	944 521 001 50 PZ7	Black/black Black			
	944 521 001 50 PZ8	Brown/brown Brown			
	944 521 001 50 PZ9	Blue/blue Blue			
	944 521 001 50 QA1	Burgundy/burgundy Burgundy			
	944 521 001 50 QA2	Greyish green/grey-green Greyish green			
	944 521 001 50 RU2	Grey-beige/grey-beige Grey-beige	86		
(2A)	944 521 002 50	Sports seat without heating Leatherette/leather Centre part Porsche lettering cloth	/R	1	M387
	944 521 002 50 PZ7	Black/black Black			
	944 521 002 50 PZ8	Brown/brown Brown			
	944 521 002 50 PZ9	Blue/blue Blue			
	944 521 002 50 QA1	Burgundy/burgundy Burgundy			
	944 521 002 50 QA2	Greyish green/grey-green Greyish green			
	944 521 002 50 RU2	Grey-beige/grey-beige	86		

Model: STZ Model life 1985>>1998

Pos	Part Number	Description	Remark	Qty	Model
(2A)	944 521 001 55	Grey-beige Sports seat with heating Leatherette/leather Centre part Porsche lettering cloth	/L	1	M383
	944 521 001 55 PZ7	Black/black Black			
	944 521 001 55 PZ8	Brown/brown Brown			
	944 521 001 55 PZ9	Blue/blue Blue			
	944 521 001 55 QA1	Burgundy/burgundy Burgundy			
	944 521 001 55 QA2	Greyish green/grey-green Greyish green			
	944 521 001 55 RU2	Grey-beige/grey-beige Grey-beige	86		
(2A)	944 521 002 55	Sports seat with heating Leatherette/leather Centre part Porsche lettering cloth	/R	1	M387
	944 521 002 55 PZ7	Black/black Black			
	944 521 002 55 PZ8	Brown/brown Brown			
	944 521 002 55 PZ9	Blue/blue Blue			
	944 521 002 55 QA1	Burgundy/burgundy Burgundy			
	944 521 002 55 QA2	Greyish green/grey-green Greyish green			
	944 521 002 55 RU2	Grey-beige/grey-beige Grey-beige	86		
2A	944 521 001 54	Sports seat without heating Leather/ Centre part Pin stripe velour	/L	1	M383
	944 521 001 54 LS5	Black/ Black-white			
	944 521 001 54 LS6	Brown/ Brown-beige			
	944 521 001 54 LS8	Blue/ Blue-white			
	944 521 001 54 LS9	Burgundy/ Burgundy-white			
	944 521 001 54 QA7	Greyish green/ Greyish green-white			
	944 521 001 54 LS7	Grey-beige/ Grey-beige-white	86		
(2A)	944 521 002 54	Sports seat without heating Leather/ Centre part Pin stripe velour	/R	1	M387
	944 521 002 54 LS5	Black/ Black-white			
	944 521 002 54 LS6	Brown/ Brown-beige			
	944 521 002 54 LS8	Blue/ Blue-white			

Model: STZ Model life 1985&gt;&gt;1998

Pos	Part Number	Description	Remark	Qty	Model
	944 521 002 54 LS9	Burgundy/ Burgundy-white			
	944 521 002 54 QA7	Greyish green/ Greyish green-white			
	944 521 002 54 LS7	Grey-beige/ Grey-beige-white	86		
(2A)	944 521 001 59	Sports seat with heating Leather/ Centre part Pin stripe velour	/L	1	M383
	944 521 001 59 LS5	Black/ Black-white			
	944 521 001 59 LS6	Brown/ Brown-beige			
	944 521 001 59 LS8	Blue/ Blue-white			
	944 521 001 59 LS9	Burgundy/ Burgundy-white			
	944 521 001 59 QA7	Greyish green/ Greyish green-white			
	944 521 001 59 LS7	Grey-beige/ Grey-beige-white	86		
(2A)	944 521 002 59	Sports seat with heating Leather/ Centre part Pin stripe velour	/R	1	M387
	944 521 002 59 LS5	Black/ Black-white			
	944 521 002 59 LS6	Brown/ Brown-beige			
	944 521 002 59 LS8	Blue/ Blue-white			
	944 521 002 59 LS9	Burgundy/ Burgundy-white			
	944 521 002 59 QA7	Greyish green/ Greyish green-white			
	944 521 002 59 LS7	Grey-beige/ Grey-beige-white	86		
2A	944 521 001 54	Sports seat without heating Leather/ Centre part Pin stripe flannel	/L	1	M383
	944 521 001 54 QB1	Black/anthracite			
	944 521 001 54 QB3	Brown/brown			
	944 521 001 54 QB5	Blue/blue			
	944 521 001 54 QB7	Burgundy/burgundy			
	944 521 001 54 QA8	Greyish green/grey-green			
(2A)	944 521 002 54	Sports seat without heating Leather/ Centre part Pin stripe flannel	/R	1	M387
	944 521 002 54 QB1	Black/anthracite			
	944 521 002 54 QB3	Brown/brown			
	944 521 002 54 QB5	Blue/blue			
	944 521 002 54 QB7	Burgundy/burgundy			
	944 521 002 54 QA8	Greyish green/grey-green			
(2A)	944 521 001 59	Sports seat with heating Leather/	/L	1	M383

Model: STZ Model life 1985>>1998

Pos	Part Number	Description	Remark	Qty	Model
		Centre part Pin stripe flannel			
	944 521 001 59 QB1	Black/anthracite			
	944 521 001 59 QB3	Brown/brown			
	944 521 001 59 QB5	Blue/blue			
	944 521 001 59 QB7	Burgundy/burgundy			
	944 521 001 59 QA8	Greyish green/grey-green			
(2A)	944 521 002 59	Sports seat with heating Leather/ Centre part Pin stripe flannel	/R	1	M387
	944 521 002 59 QB1	Black/anthracite			
	944 521 002 59 QB3	Brown/brown			
	944 521 002 59 QB5	Blue/blue			
	944 521 002 59 QB7	Burgundy/burgundy			
	944 521 002 59 QA8	Greyish green/grey-green			
2A	944 521 001 54	Sports seat without heating Leather/ Centre part Porsche lettering cloth	/L	1	M383
	944 521 001 54 QB2	Black/black			
	944 521 001 54 QB4	Brown/brown			
	944 521 001 54 QB6	Blue/blue			
	944 521 001 54 QB8	Burgundy/burgundy			
	944 521 001 54 QA9	Greyish green/grey-green			
	944 521 001 54 RU1	Grey-beige/grey-beige	86		
(2A)	944 521 002 54	Sports seat without heating Leather/ Centre part Porsche lettering cloth	/R	1	M387
	944 521 002 54 QB2	Black/black			
	944 521 002 54 QB4	Brown/brown			
	944 521 002 54 QB6	Blue/blue			
	944 521 002 54 QB8	Burgundy/burgundy			
	944 521 002 54 QA9	Greyish green/grey-green			
	944 521 002 54 RU1	Grey-beige/grey-beige	86		
(2A)	944 521 001 59	Sports seat with heating Leather/ Centre part Porsche lettering cloth	/L	1	M383
	944 521 001 59 QB2	Black/black			
	944 521 001 59 QB4	Brown/brown			
	944 521 001 59 QB6	Blue/blue			
	944 521 001 59 QB8	Burgundy/burgundy			
	944 521 001 59 QA9	Greyish green/grey-green			
	944 521 001 59 RU1	Grey-beige/grey-beige	86		
(2A)	944 521 002 59	Sports seat with heating Leather/ Centre part Porsche lettering cloth	/R	1	M387
	944 521 002 59 QB2	Black/black			
	944 521 002 59 QB4	Brown/brown			
	944 521 002 59 QB6	Blue/blue			
	944 521 002 59 QB8	Burgundy/burgundy			
	944 521 002 59 QA9	Greyish green/grey-green			
	944 521 002 59 RU1	Grey-beige/grey-beige	86		
3A	944 521 001 51	Sports seat without heating	/L	1	M383

Model: STZ Model life 1985>>1998

Pos	Part Number	Description	Remark	Qty	Model
		Leatherette/ Seat and backrest surface Leather			
	944 521 001 51 JN3	Black/black			
	944 521 001 51 JN4	Brown/brown			
	944 521 001 51 QC1	Blue/blue			
	944 521 001 51 NZ8	Burgundy/burgundy			
	944 521 001 51 PX9	Greyish green/grey-green			
	944 521 001 51 JN5	Grey-beige/grey-beige	86		
(3A)	944 521 002 51	Sports seat without heating Leatherette/ Seat and backrest surface Leather	/R	1	M387
	944 521 002 51 JN3	Black/black			
	944 521 002 51 JN4	Brown/brown			
	944 521 002 51 QC1	Blue/blue			
	944 521 002 51 NZ8	Burgundy/burgundy			
	944 521 002 51 PX9	Greyish green/grey-green			
	944 521 002 51 JN5	Grey-beige/grey-beige	86		
(3A)	944 521 001 56	Sports seat with heating Leatherette/ Seat and backrest surface Leather	/L	1	M383
	944 521 001 56 JN3	Black/black			
	944 521 001 56 JN4	Brown/brown			
	944 521 001 56 QC1	Blue/blue			
	944 521 001 56 NZ8	Burgundy/burgundy			
	944 521 001 56 PX9	Greyish green/grey-green			
	944 521 001 56 JN5	Grey-beige/grey-beige	86		
(3A)	944 521 002 56	Sports seat with heating Leatherette/ Seat and backrest surface Leather	/R	1	M387
	944 521 002 56 JN3	Black/black			
	944 521 002 56 JN4	Brown/brown			
	944 521 002 56 QC1	Blue/blue			
	944 521 002 56 NZ8	Burgundy/burgundy			
	944 521 002 56 PX9	Greyish green/grey-green			
	944 521 002 56 JN5	Grey-beige/grey-beige	86		
3A	944 521 001 52	Sports seat without heating Whole-leather	/L	1	M383
	944 521 001 52 KZ2	Black			
	944 521 001 52 KZ5	Brown			
	944 521 001 52 KZ3	Blue			
	944 521 001 52 LG7	Burgundy			
	944 521 001 52 QC2	Greyish green			
	944 521 001 52 KZ6	Can-can-red			
	944 521 001 52 LG4	Pearl white			
	944 521 001 52 LG5	Champagne			
	944 521 001 52 LG6	Dark green			
	944 521 001 52 PY9	Ocean blue			
	944 521 001 52 PZ1	Wild buffalo			
	944 521 001 52 KZ4	Grey-beige	86		
(3A)	944 521 002 52	Sports seat without heating Whole-leather	/R	1	M387
	944 521 002 52 KZ2	Black			
	944 521 002 52 KZ5	Brown			
	944 521 002 52 KZ3	Blue			

Model: STZ Model life 1985>>1998

Pos	Part Number	Description	Remark	Qty	Model
	944 521 002 52 LG7	Burgundy			
	944 521 002 52 QC2	Greyish green			
	944 521 002 52 KZ6	Can-can-red			
	944 521 002 52 LG4	Pearl white			
	944 521 002 52 LG5	Champagne			
	944 521 002 52 LG6	Dark green			
	944 521 002 52 PY9	Ocean blue			
	944 521 002 52 PZ1	Wild buffalo			
	944 521 002 52 KZ4	Grey-beige	86		
(3A)	944 521 001 57	Sports seat with heating Whole-leather	/L	1	M383
	944 521 001 57 KZ2	Black			
	944 521 001 57 KZ5	Brown			
	944 521 001 57 KZ3	Blue			
	944 521 001 57 LG7	Burgundy			
	944 521 001 57 QC2	Greyish green			
	944 521 001 57 KZ6	Can-can-red			
	944 521 001 57 LG4	Pearl white			
	944 521 001 57 LG5	Champagne			
	944 521 001 57 LG6	Dark green			
	944 521 001 57 PY9	Ocean blue			
	944 521 001 57 PZ1	Wild buffalo			
	944 521 001 57 KZ4	Grey-beige	86		
(3A)	944 521 002 57	Sports seat with heating Whole-leather	/R	1	M387
	944 521 002 57 KZ2	Black			
	944 521 002 57 KZ5	Brown			
	944 521 002 57 KZ3	Blue			
	944 521 002 57 LG7	Burgundy			
	944 521 002 57 QC2	Greyish green			
	944 521 002 57 KZ6	Can-can-red			
	944 521 002 57 LG4	Pearl white			
	944 521 002 57 LG5	Champagne			
	944 521 002 57 LG6	Dark green			
	944 521 002 57 PY9	Ocean blue			
	944 521 002 57 PZ1	Wild buffalo			
	944 521 002 57 KZ4	Grey-beige	86		
4	911 521 547 00	Screw M 10 X 20		8	
5	928 521 147 02	Cover	/L	2	
	928 521 147 02 01C	Black			
	928 521 147 02 4RB	Brown			
	928 521 147 02 5HJ	Blue			
	928 521 147 02 9MM	Burgundy			
	928 521 147 02 1DJ	Greyish green			
	928 521 147 02 3UC	Grey-beige	86		
(5)	928 521 148 02	Cover	/R	2	
	928 521 148 02 01C	Black			
	928 521 148 02 4RB	Brown			
	928 521 148 02 5HJ	Blue			
	928 521 148 02 9MM	Burgundy			
	928 521 148 02 1DJ	Greyish green			
	928 521 148 02 3UC	Grey-beige	86		
6	900 025 044 07	Washer A 4,3		8	
7	900 143 113 07	Oval-head screw B 4,2 X 13		8	
7	900 143 113 0G	Oval-head screw B 4,2 X 13		8	
8	928 521 760 03	Cover		2	
9	N 013 959 3	Oval-head sheetmetal screw		4	

Model: STZ

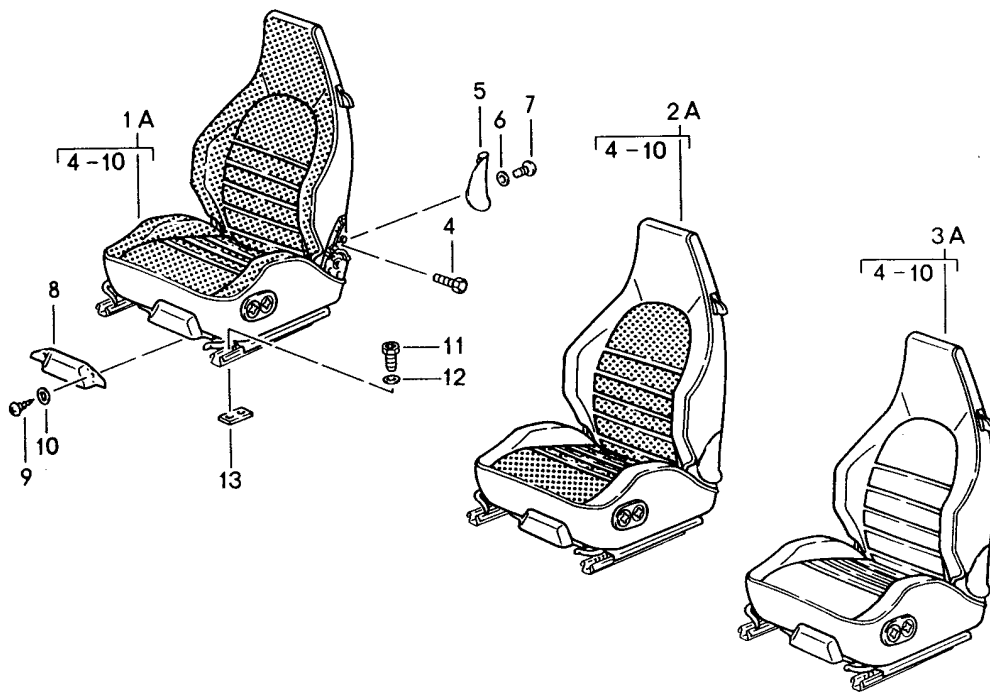
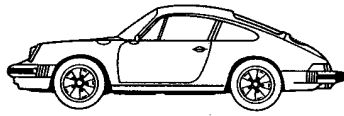
Model life 1985&gt;&gt;1998

Pos	Part Number	Description	Remark	Qty	Model
9	900 143 016 02	B 3,5 X 16 Oval-head sheetmetal screw		4	
10	900 025 013 07	B 3,5 X 16 Washer		4	
11	900 119 030 02	A 3,7 Pan-head screw		12	
12	900 089 006 02	M 8 X 20 Washer		12	
12	900 089 006 01	8,0 Washer		12	
13	964 521 701 00	8,0 Threaded plate		X	
(13)	928 521 101 08	Front and rear 2 X M 8 Threaded plate		X	
		Rear 4 X M 8			



Model: STZ

Model life 1985>>1998



Model: STZ Model life 1985>>1998

Pos	Part Number	Description	Remark	Qty	Model
		Sports seat Complete	87-89		911 CARRERA TURBO
1A	944 521 001 04	Sports seat Complete for M637 Not available	/L	1	M383
	944 521 001 04 NY5	Black/Black-white			
	944 521 001 04 TU7	Mahogany/Mahogany-white			
	944 521 001 04 TR7	Blue/Blue-white			
	944 521 001 04 NY8	Burgundy/Burgundy-white			
	944 521 001 04 QA4	Greyish green/Greyish green-white	-88		
	944 521 001 04 XK2	Linen/Linen white	89		
	944 521 001 04 XK5	Cashmere beige/Cashmere beige-white	89		
(1A)	944 521 002 04	Sports seat without heating	/R	1	M387
	944 521 002 04 NY5	Black/Black-white			
	944 521 002 04 TU7	Mahogany/Mahogany-white			
	944 521 002 04 TR7	Blue/Blue-white			
	944 521 002 04 NY8	Burgundy/Burgundy-white			
	944 521 002 04 QA4	Greyish green/Greyish green-white	-88		
	944 521 002 04 XK2	Linen/Linen white	89		
	944 521 002 04 XK5	Cashmere beige/Cashmere beige-white	89		
(1A)	944 521 001 05	Sports seat with heating	/L	1	M383
	944 521 001 05 NY5	Black/Black-white			
	944 521 001 05 TU7	Mahogany/Mahogany-white			
	944 521 001 05 TR7	Blue/Blue-white			
	944 521 001 05 NY8	Burgundy/Burgundy-white			
	944 521 001 05 QA4	Greyish green/Greyish green-white	-88		
	944 521 001 05 XK2	Linen/Linen white	89		
	944 521 001 05 XK5	Cashmere beige/	89		

Model: STZ Model life 1985>>1998

Pos	Part Number	Description	Remark	Qty	Model
(1A)	944 521 002 05	Cashmere beige-white Sports seat with heating Leatherette/ Seat and backrest surface Pin stripe velour	/R	1	M387
	944 521 002 05 NY5	Black/ Black-white			
	944 521 002 05 TU7	Mahogany/ Mahogany-white			
	944 521 002 05 TR7	Blue/ Blue-white			
	944 521 002 05 NY8	Burgundy/ Burgundy-white			
	944 521 002 05 QA4	Greyish green/ Greyish green-white	-88		
	944 521 002 05 XK2	Linen/ Linen white	89		
	944 521 002 05 XK5	Cashmere beige/ Cashmere beige-white	89		
1A	944 521 001 04	Sports seat without heating Leatherette/ Seat and backrest surface Pin stripe flannel	/L	1	M383
	944 521 001 04 NY9	Black/anthracite	-88		
	944 521 001 04 TU8	Mahogany/mahogany			
	944 521 001 04 TR8	Marine blue/blue			
	944 521 001 04 NZ5	Burgundy/burgundy			
	944 521 001 04 QA5	Greyish green/grey-green			
(1A)	944 521 002 04	Sports seat without heating Leatherette/ Seat and backrest surface Pin stripe flannel	/R	1	M387
	944 521 002 04 NY9	Black/anthracite	-88		
	944 521 002 04 TU8	Mahogany/mahogany			
	944 521 002 04 TR8	Marine blue/blue			
	944 521 002 04 NZ5	Burgundy/burgundy			
	944 521 002 04 QA5	Greyish green/grey-green			
(1A)	944 521 001 05	Sports seat with heating Leatherette/ Seat and backrest surface Pin stripe flannel	/L	1	M383
	944 521 001 05 NY9	Black/anthracite	-88		
	944 521 001 05 TU8	Mahogany/mahogany			
	944 521 001 05 TR8	Marine blue/blue			
	944 521 001 05 NZ5	Burgundy/burgundy			
	944 521 001 05 QA5	Greyish green/grey-green			
(1A)	944 521 002 05	Sports seat with heating Leatherette/ Seat and backrest surface Pin stripe flannel	/R	1	M387
	944 521 002 05 NY9	Black/anthracite	-88		
	944 521 002 05 TU8	Mahogany/mahogany			
	944 521 002 05 TR8	Marine blue/blue			
	944 521 002 05 NZ5	Burgundy/burgundy			
	944 521 002 05 QA5	Greyish green/grey-green			
1A	944 521 001 04	Sports seat without heating Leatherette/	/L	1	M383

Model: STZ Model life 1985>>1998

Pos	Part Number	Description	Remark	Qty	Model
		Seat and backrest surface Multicolour	89		
	944 521 001 04 XK8	Black/black			
	944 521 001 04 XK9	Mahogany/mahogany			
	944 521 001 04 XN1	Marine blue/marine blue			
	944 521 001 04 XN2	Burgundy/burgundy			
	944 521 001 04 XK4	Linen/linen			
	944 521 001 04 XK7	Cashmere beige/cash. beige			
(1A)	944 521 002 04	Sports seat without heating Leatherette/ Seat and backrest surface Multicolour	/R	1	M387
	944 521 002 04 XK8	Black/black	89		
	944 521 002 04 XK9	Mahogany/mahogany			
	944 521 002 04 XN1	Marine blue/marine blue			
	944 521 002 04 XN2	Burgundy/burgundy			
	944 521 002 04 XK4	Linen/linen			
	944 521 002 04 XK7	Cashmere beige/cash. beige			
(1A)	944 521 001 05	Sports seat with heating Leatherette/ Seat and backrest surface Multicolour	/L	1	M383
	944 521 001 05 XK8	Black/black	89		
	944 521 001 05 XK9	Mahogany/mahogany			
	944 521 001 05 XN1	Marine blue/marine blue			
	944 521 001 05 XN2	Burgundy/burgundy			
	944 521 001 05 XK4	Linen/linen			
	944 521 001 05 XK7	Cashmere beige/cash. beige			
(1A)	944 521 002 05	Sports seat with heating Leatherette/ Seat and backrest surface Multicolour	/R	1	M387
	944 521 002 05 XK8	Black/black	89		
	944 521 002 05 XK9	Mahogany/mahogany			
	944 521 002 05 XN1	Marine blue/marine blue			
	944 521 002 05 XN2	Burgundy/burgundy			
	944 521 002 05 XK4	Linen/linen			
	944 521 002 05 XK7	Cashmere beige/cash. beige			
1A	944 521 001 04	Sports seat without heating Leatherette/ Seat and backrest surface Porsche lettering cloth	/L	1	M383
	944 521 001 04 PX2	Black/black			
	944 521 001 04 TU9	Mahogany/mahogany			
	944 521 001 04 TR9	Marine blue/blue			
	944 521 001 04 PX6	Burgundy/burgundy			
	944 521 001 04 PX8	Greyish green/grey-green	-88		
	944 521 001 04 XK3	Linen/linen	89		
	944 521 001 04 XK6	Cashmere beige/cash. beige	89		
(1A)	944 521 002 04	Sports seat without heating Leatherette/ Seat and backrest surface Porsche lettering cloth	/R	1	M387
	944 521 002 04 PX2	Black/black			
	944 521 002 04 TU9	Mahogany/mahogany			
	944 521 002 04 TR9	Marine blue/blue			
	944 521 002 04 PX6	Burgundy/burgundy			
	944 521 002 04 PX8	Greyish green/grey-green	-88		

Model: STZ Model life 1985>>1998

Pos	Part Number	Description	Remark	Qty	Model			
(1A)	944 521 002 04 XK3	Linen/linen	89	1	M383			
	944 521 002 04 XK6	Cashmere beige/cash. beige	89					
	944 521 001 05	Sports seat with heating Leatherette/ Seat and backrest surface Porsche lettering cloth	/L					
	944 521 001 05 PX2	Black/black						
	944 521 001 05 TU9	Mahogany/mahogany						
	944 521 001 05 TR9	Marine blue/blue						
	944 521 001 05 PX6	Burgundy/burgundy						
	944 521 001 05 PX8	Greyish green/grey-green	-88					
	944 521 001 05 XK3	Linen/linen	89					
	944 521 001 05 XK6	Cashmere beige/cash. beige	89					
(1A)	944 521 002 05	Sports seat with heating Leatherette/ Seat and backrest surface Porsche lettering cloth	/R	1	M387			
	944 521 002 05 PX2	Black/black						
	944 521 002 05 TU9	Mahogany/mahogany						
	944 521 002 05 TR9	Marine blue/blue						
	944 521 002 05 PX6	Burgundy/burgundy						
	944 521 002 05 PX8	Greyish green/grey-green	-88					
	944 521 002 05 XK3	Linen/linen	89					
	944 521 002 05 XK6	Cashmere beige/cash. beige	89					
	2A	944 521 001 63	Sports seat without heating Leatherette/leather Centre part in cloth Pin stripe velour			/L	1	M383
		944 521 001 63 PY1	Black/black Black-white					
944 521 001 63 TU4		Mahogany/mahogany Mahogany-white						
944 521 001 63 TR4		Marine blue/marine blue Blue-white						
944 521 001 63 PY4		Burgundy/burgundy Burgundy-white						
944 521 001 63 PY5		Greyish green/grey-green Greyish green-white	-88					
944 521 001 63 XH2		Linen/linen Linen white	89					
944 521 001 63 XH7		Cashmere beige/cash. beige Cashmere beige-white	89					
(2A)		944 521 002 63	Sports seat without heating Leatherette/leather Centre part in cloth Pin stripe velour	/R	1	M387		
		944 521 002 63 PY1	Black/black Black-white					
	944 521 002 63 TU4	Mahogany/mahogany Mahogany-white						
	944 521 002 63 TR4	Marine blue/marine blue Blue-white						
	944 521 002 63 PY4	Burgundy/burgundy Burgundy-white						
	944 521 002 63 PY5	Greyish green/grey-green Greyish green-white	-88					
	944 521 002 63 XH2	Linen/linen Linen white	89					
	944 521 002 63 XH7	Cashmere beige/cash. beige	89					

Model: STZ Model life 1985>>1998

Pos	Part Number	Description	Remark	Qty	Model
(2A)	944 521 001 67	Cashmere beige-white Sports seat with heating Leatherette/leather Centre part in cloth Pin stripe velour	/L	1	M383
	944 521 001 67 PY1	Black/black Black-white			
	944 521 001 67 TU4	Mahogany/mahogany Mahogany-white			
	944 521 001 67 TR4	Marine blue/marine blue Blue-white			
	944 521 001 67 PY4	Burgundy/burgundy Burgundy-white			
	944 521 001 67 PY5	Greyish green/grey-green Greyish green-white	-88		
	944 521 001 67 XH2	Linen/linen Linen white	89		
	944 521 001 67 XH7	Cashmere beige/cash. beige Cashmere beige-white	89		
(2A)	944 521 002 67	Sports seat with heating Leatherette/leather Centre part in cloth Pin stripe velour	/R	1	M387
	944 521 002 67 PY1	Black/black Black-white			
	944 521 002 67 TU4	Mahogany/mahogany Mahogany-white			
	944 521 002 67 TR4	Marine blue/marine blue Blue-white			
	944 521 002 67 PY4	Burgundy/burgundy Burgundy-white			
	944 521 002 67 PY5	Greyish green/grey-green Greyish green-white	-88		
	944 521 002 67 XH2	Linen/linen Linen white	89		
	944 521 002 67 XH7	Cashmere beige/cash. beige Cashmere beige-white	89		
2A	944 521 001 63	Sports seat without heating Leatherette/leather Centre part in cloth Multicolour	/L	1	M383
	944 521 001 63 XJ2	Black/black Black	89		
	944 521 001 63 XJ3	Mahogany/mahogany Mahogany			
	944 521 001 63 XJ5	Marine blue/marine blue Marine blue			
	944 521 001 63 XJ7	Burgundy/burgundy Burgundy			
	944 521 001 63 XH6	Linen/linen Linen			
	944 521 001 63 XH9	Cashmere beige/cash. beige Cashmere beige			
(2A)	944 521 002 63	Sports seat without heating Leatherette/leather Centre part in cloth Multicolour	/R	1	M387
	944 521 002 63 XJ2	Black/black Black	89		

Model: STZ Model life 1985>>1998

Pos	Part Number	Description	Remark	Qty	Model
	944 521 002 63 XJ3	Mahogany/mahogany Mahogany			
	944 521 002 63 XJ5	Marine blue/marine blue Marine blue			
	944 521 002 63 XJ7	Burgundy/burgundy Burgundy			
	944 521 002 63 XH6	Linen/linen Linen			
	944 521 002 63 XH9	Cashmere beige/cash. beige Cashmere beige			
(2A)	944 521 001 67	Sports seat with heating Leatherette/leather Centre part in cloth Multicolour	/L  89	1	M383
	944 521 001 67 XJ2	Black/black Black			
	944 521 001 67 XJ3	Mahogany/mahogany Mahogany			
	944 521 001 67 XJ5	Marine blue/marine blue Marine blue			
	944 521 001 67 XJ7	Burgundy/burgundy Burgundy			
	944 521 001 67 XH6	Linen/linen Linen			
	944 521 001 67 XH9	Cashmere beige/cash. beige Cashmere beige			
(2A)	944 521 002 67	Sports seat with heating Leatherette/leather Centre part in cloth Multicolour	/R  89	1	M387
	944 521 002 67 XJ2	Black/black Black			
	944 521 002 67 XJ3	Mahogany/mahogany Mahogany			
	944 521 002 67 XJ5	Marine blue/marine blue Marine blue			
	944 521 002 67 XJ7	Burgundy/burgundy Burgundy			
	944 521 002 67 XH6	Linen/linen Linen			
	944 521 002 67 XH9	Cashmere beige/cash. beige Cashmere beige			
2A	944 521 001 63	Sports seat without heating Leatherette/leather Centre part in cloth Pin stripe flannel	/L  -88	1	M383
	944 521 001 63 PZ2	Black/black Anthracite			
	944 521 001 63 TU5	Mahogany/mahogany Mahogany			
	944 521 001 63 TR5	Marine blue/marine blue Blue			
	944 521 001 63 PZ5	Burgundy/burgundy Burgundy			
	944 521 001 63 PZ6	Greyish green/grey-green Greyish green			
(2A)	944 521 002 63	Sports seat without heating Leatherette/leather Centre part in cloth	/R	1	M387

Model: STZ Model life 1985&gt;&gt;1998

Pos	Part Number	Description	Remark	Qty	Model
	944 521 002 63 PZ2	Pin stripe flannel Black/black Anthracite	-88		
	944 521 002 63 TU5	Mahogany/mahogany Mahogany			
	944 521 002 63 TR5	Marine blue/marine blue Blue			
	944 521 002 63 PZ5	Burgundy/burgundy Burgundy			
	944 521 002 63 PZ6	Greyish green/grey-green Greyish green			
(2A)	944 521 001 67	Sports seat with heating Leatherette/leather Centre part in cloth Pin stripe flannel	/L -88	1	M383
	944 521 001 67 PZ2	Black/black Anthracite			
	944 521 001 67 TU5	Mahogany/mahogany Mahogany			
	944 521 001 67 TR5	Marine blue/marine blue Blue			
	944 521 001 67 PZ5	Burgundy/burgundy Burgundy			
	944 521 001 67 PZ6	Greyish green/grey-green Greyish green			
(2A)	944 521 002 67	Sports seat with heating Leatherette/leather Centre part in cloth Pin stripe flannel	/R -88	1	M387
	944 521 002 67 PZ2	Black/black Anthracite			
	944 521 002 67 TU5	Mahogany/mahogany Mahogany			
	944 521 002 67 TR5	Marine blue/marine blue Blue			
	944 521 002 67 PZ5	Burgundy/burgundy Burgundy			
	944 521 002 67 PZ6	Greyish green/grey-green Greyish green			
2A	944 521 001 63	Sports seat without heating Leatherette/leather Centre part Porsche lettering cloth	/L	1	M383
	944 521 001 63 PZ7	Black/black Black			
	944 521 001 63 TU6	Mahogany/mahogany Mahogany			
	944 521 001 63 TR6	Marine blue/marine blue Blue			
	944 521 001 63 QA1	Burgundy/burgundy Burgundy			
	944 521 001 63 QA2	Greyish green/grey-green Greyish green	-88		
	944 521 001 63 XH4	Linen/linen Linen	89		
	944 521 001 63 XH8	Cashmere beige/cash. beige Cashmere beige	89		
(2A)	944 521 002 63	Sports seat without heating Leatherette/leather	/R	1	M387



Model: STZ Model life 1985&gt;&gt;1998

Pos	Part Number	Description	Remark	Qty	Model
		Centre part Porsche lettering cloth			
	944 521 002 63 PZ7	Black/black Black			
	944 521 002 63 TU6	Mahogany/mahogany Mahogany			
	944 521 002 63 TR6	Marine blue/marine blue Blue			
	944 521 002 63 QA1	Burgundy/burgundy Burgundy			
	944 521 002 63 QA2	Greyish green/grey-green Greyish green	-88		
	944 521 002 63 XH4	Linen/linen Linen	89		
	944 521 002 63 XH8	Cashmere beige/cash. beige Cashmere beige	89		
(2A)	944 521 001 67	Sports seat with heating Leatherette/leather Centre part Porsche lettering cloth	/L	1	M383
	944 521 001 67 PZ7	Black/black Black			
	944 521 001 67 TU6	Mahogany/mahogany Mahogany			
	944 521 001 67 TR6	Marine blue/marine blue Blue			
	944 521 001 67 QA1	Burgundy/burgundy Burgundy			
	944 521 001 67 QA2	Greyish green/grey-green Greyish green	-88		
	944 521 001 67 XH4	Linen/linen Linen	89		
	944 521 001 67 XH8	Cashmere beige/cash. beige Cashmere beige	89		
(2A)	944 521 002 67	Sports seat with heating Leatherette/leather Centre part Porsche lettering cloth	/R	1	M387
	944 521 002 67 PZ7	Black/black Black			
	944 521 002 67 TU6	Mahogany/mahogany Mahogany			
	944 521 002 67 TR6	Marine blue/marine blue Blue			
	944 521 002 67 QA1	Burgundy/burgundy Burgundy			
	944 521 002 67 QA2	Greyish green/grey-green Greyish green	-88		
	944 521 002 67 XH4	Linen/linen Linen	89		
	944 521 002 67 XH8	Cashmere beige/cash. beige Cashmere beige	89		
2A	944 521 001 61	Sports seat without heating Leather/ Centre part in cloth Pin stripe velour	/L	1	M383
	944 521 001 61 LS5	Black/ Black-white			
	944 521 001 61 TU1	Mahogany/ Mahogany-white			

Model: STZ Model life 1985>>1998

Pos	Part Number	Description	Remark	Qty	Model
	944 521 001 61 TR1	Blue/ Blue-white			
	944 521 001 61 LS9	Burgundy/ Burgundy-white			
	944 521 001 61 QA7	Greyish green/ Greyish green-white	-88		
	944 521 001 61 XF5	Linen/ Linen white	89		
	944 521 001 61 XF8	Cashmere beige/ Cashmere beige-white	89		
(2A)	944 521 002 61	Sports seat without heating Leather/ Centre part in cloth Pin stripe velour	/R	1	M387
	944 521 002 61 LS5	Black/ Black-white			
	944 521 002 61 TU1	Mahogany/ Mahogany-white			
	944 521 002 61 TR1	Blue/ Blue-white			
	944 521 002 61 LS9	Burgundy/ Burgundy-white			
	944 521 002 61 QA7	Greyish green/ Greyish green-white	-88		
	944 521 002 61 XF5	Linen/ Linen white	89		
	944 521 002 61 XF8	Cashmere beige/ Cashmere beige-white	89		
(2A)	944 521 001 65	Sports seat with heating Leather/ Centre part in cloth Pin stripe velour	/L	1	M383
	944 521 001 65 LS5	Black/ Black-white			
	944 521 001 65 TU1	Mahogany/ Mahogany-white			
	944 521 001 65 TR1	Blue/ Blue-white			
	944 521 001 65 LS9	Burgundy/ Burgundy-white			
	944 521 001 65 QA7	Greyish green/ Greyish green-white	-88		
	944 521 001 65 XF5	Linen/ Linen white	89		
	944 521 001 65 XF8	Cashmere beige/ Cashmere beige-white	89		
(2A)	944 521 002 65	Sports seat with heating Leather/ Centre part in cloth Pin stripe velour	/R	1	M387
	944 521 002 65 LS5	Black/ Black-white			
	944 521 002 65 TU1	Mahogany/ Mahogany-white			
	944 521 002 65 TR1	Blue/ Blue-white			
	944 521 002 65 LS9	Burgundy/ Burgundy-white			
	944 521 002 65 QA7	Greyish green/ Greyish green-white	-88		

Model: STZ Model life 1985>>1998

Pos	Part Number	Description	Remark	Qty	Model
	944 521 002 65 XF5	Linen/ Linen white	89		
	944 521 002 65 XF8	Cashmere beige/ Cashmere beige-white	89		
2A	944 521 001 61	Sports seat without heating Leather/ Centre part in cloth Pin stripe flannel	/L   -88	1	M383
	944 521 001 61 QB1	Black/anthracite			
	944 521 001 61 TU2	Mahogany/mahogany			
	944 521 001 61 TR2	Marine blue/blue			
	944 521 001 61 QB7	Burgundy/burgundy			
	944 521 001 61 QA8	Greyish green/grey-green			
(2A)	944 521 002 61	Sports seat without heating Leather/ Centre part in cloth Pin stripe flannel	/R   -88	1	M387
	944 521 002 61 QB1	Black/anthracite			
	944 521 002 61 TU2	Mahogany/mahogany			
	944 521 002 61 TR2	Marine blue/blue			
	944 521 002 61 QB7	Burgundy/burgundy			
	944 521 002 61 QA8	Greyish green/grey-green			
(2A)	944 521 001 65	Sports seat with heating Leather/ Centre part in cloth Pin stripe flannel	/L   -88	1	M383
	944 521 001 65 QB1	Black/anthracite			
	944 521 001 65 TU2	Mahogany/mahogany			
	944 521 001 65 TR2	Marine blue/blue			
	944 521 001 65 QB7	Burgundy/burgundy			
	944 521 001 65 QA8	Greyish green/grey-green			
(2A)	944 521 002 65	Sports seat with heating Leather/ Centre part in cloth Pin stripe flannel	/R   -88	1	M387
	944 521 002 65 QB1	Black/anthracite			
	944 521 002 65 TU2	Mahogany/mahogany			
	944 521 002 65 TR2	Marine blue/blue			
	944 521 002 65 QB7	Burgundy/burgundy			
	944 521 002 65 QA8	Greyish green/grey-green			
2A	944 521 001 61	Sports seat without heating Leather/ Centre part in cloth Multicolour	/L   89	1	M383
	944 521 001 61 XG6	Black/black			
	944 521 001 61 XG7	Mahogany/mahogany			
	944 521 001 61 XG8	Marine blue/marine blue			
	944 521 001 61 XG9	Burgundy/burgundy			
	944 521 001 61 XF7	Linen/linen			
	944 521 001 61 XG5	Cashmere beige/cash. beige			
(2A)	944 521 002 61	Sports seat without heating Leather/ Centre part in cloth Multicolour	/R   89	1	M387
	944 521 002 61 XG6	Black/black			
	944 521 002 61 XG7	Mahogany/mahogany			
	944 521 002 61 XG8	Marine blue/marine blue			

Model: STZ Model life 1985>>1998

Pos	Part Number	Description	Remark	Qty	Model	
(2A)	944 521 002 61 XG9	Burgundy/burgundy				
	944 521 002 61 XF7	Linen/linen				
	944 521 002 61 XG5	Cashmere beige/cash. beige				
	944 521 001 65	Sports seat with heating Leather/ Centre part in cloth Multicolour	/L  89	1	M383	
	944 521 001 65 XG6	Black/black				
	944 521 001 65 XG7	Mahogany/mahogany				
	944 521 001 65 XG8	Marine blue/marine blue				
	944 521 001 65 XG9	Burgundy/burgundy				
	944 521 001 65 XF7	Linen/linen				
	944 521 001 65 XG5	Cashmere beige/cash. beige				
(2A)	944 521 002 65	Sports seat with heating Leather/ Centre part in cloth Multicolour	/R  89	1	M387	
	944 521 002 65 XG6	Black/black				
	944 521 002 65 XG7	Mahogany/mahogany				
	944 521 002 65 XG8	Marine blue/marine blue				
	944 521 002 65 XG9	Burgundy/burgundy				
	944 521 002 65 XF7	Linen/linen				
	944 521 002 65 XG5	Cashmere beige/cash. beige				
	2A 944 521 001 61	Sports seat without heating Leather/ Centre part Porsche lettering cloth	/L	1	M383	
	944 521 001 61 QB2	Black/black				
	944 521 001 61 TU3	Mahogany/mahogany				
944 521 001 61 TR3	Marine blue/blue					
944 521 001 61 QB8	Burgundy/burgundy					
944 521 001 61 QA9	Greyish green/grey-green	-88				
944 521 001 61 XF6	Linen/linen	89				
944 521 001 61 XF9	Cashmere beige/cash. beige	89				
(2A)	944 521 002 61	Sports seat without heating Leather/ Centre part Porsche lettering cloth	/R	1	M387	
	944 521 002 61 QB2	Black/black				
	944 521 002 61 TU3	Mahogany/mahogany				
	944 521 002 61 TR3	Marine blue/blue				
	944 521 002 61 QB8	Burgundy/burgundy				
	944 521 002 61 QA9	Greyish green/grey-green	-88			
	944 521 002 61 XF6	Linen/linen	89			
	944 521 002 61 XF9	Cashmere beige/cash. beige	89			
	(2A)	944 521 001 65	Sports seat with heating Leather/ Centre part Porsche lettering cloth	/L	1	M383
		944 521 001 65 QB2	Black/black			
944 521 001 65 TU3		Mahogany/mahogany				
944 521 001 65 TR3		Marine blue/blue				
944 521 001 65 QB8		Burgundy/burgundy				
944 521 001 65 QA9		Greyish green/grey-green	-88			
944 521 001 65 XF6		Linen/linen	89			
944 521 001 65 XF9		Cashmere beige/cash. beige	89			
(2A)		944 521 002 65	Sports seat with heating Leather/ Centre part Porsche lettering cloth	/R	1	M387
		944 521 001 65 QB2	Black/black			
	944 521 001 65 TU3	Mahogany/mahogany				
	944 521 001 65 TR3	Marine blue/blue				
	944 521 001 65 QB8	Burgundy/burgundy				
	944 521 001 65 QA9	Greyish green/grey-green	-88			
	944 521 001 65 XF6	Linen/linen	89			
	944 521 001 65 XF9	Cashmere beige/cash. beige	89			
	(2A)	944 521 002 65	Sports seat with heating Leather/ Centre part Porsche lettering cloth	/R	1	M387
		944 521 001 65 QB2	Black/black			
944 521 001 65 TU3		Mahogany/mahogany				
944 521 001 65 TR3		Marine blue/blue				
944 521 001 65 QB8		Burgundy/burgundy				
944 521 001 65 QA9		Greyish green/grey-green	-88			
944 521 001 65 XF6		Linen/linen	89			
944 521 001 65 XF9		Cashmere beige/cash. beige	89			
(2A)		944 521 002 65	Sports seat with heating Leather/ Centre part Porsche lettering cloth	/R	1	M387
		944 521 001 65 QB2	Black/black			
	944 521 001 65 TU3	Mahogany/mahogany				
	944 521 001 65 TR3	Marine blue/blue				
	944 521 001 65 QB8	Burgundy/burgundy				
	944 521 001 65 QA9	Greyish green/grey-green	-88			
	944 521 001 65 XF6	Linen/linen	89			
	944 521 001 65 XF9	Cashmere beige/cash. beige	89			
	(2A)	944 521 002 65	Sports seat with heating Leather/ Centre part Porsche lettering cloth	/R	1	M387
		944 521 001 65 QB2	Black/black			
944 521 001 65 TU3		Mahogany/mahogany				
944 521 001 65 TR3		Marine blue/blue				
944 521 001 65 QB8		Burgundy/burgundy				
944 521 001 65 QA9		Greyish green/grey-green	-88			
944 521 001 65 XF6		Linen/linen	89			
944 521 001 65 XF9		Cashmere beige/cash. beige	89			
(2A)		944 521 002 65	Sports seat with heating Leather/ Centre part Porsche lettering cloth	/R	1	M387
		944 521 001 65 QB2	Black/black			
	944 521 001 65 TU3	Mahogany/mahogany				
	944 521 001 65 TR3	Marine blue/blue				
	944 521 001 65 QB8	Burgundy/burgundy				
	944 521 001 65 QA9	Greyish green/grey-green	-88			
	944 521 001 65 XF6	Linen/linen	89			
	944 521 001 65 XF9	Cashmere beige/cash. beige	89			

Model: STZ Model life 1985>>1998

Pos	Part Number	Description	Remark	Qty	Model
		Leather/ Centre part Porsche lettering cloth			
	944 521 002 65 QB2	Black/black			
	944 521 002 65 TU3	Mahogany/mahogany			
	944 521 002 65 TR3	Marine blue/blue			
	944 521 002 65 QB8	Burgundy/burgundy			
	944 521 002 65 QA9	Greyish green/grey-green	-88		
	944 521 002 65 XF6	Linen/linen	89		
	944 521 002 65 XF9	Cashmere beige/cash. beige	89		
3A	944 521 001 62	Sports seat without heating Leatherette/ Seat and backrest surface Leather	/L	1	M383
	944 521 001 62 JN3	Black/black			
	944 521 001 62 TV2	Mahogany/mahogany			
	944 521 001 62 TS2	Marine blue/marine blue			
	944 521 001 62 NZ8	Burgundy/burgundy			
	944 521 001 62 PX9	Greyish green/grey-green	-88		
	944 521 001 62 TW2	Linen/linen			
	944 521 001 62 XN3	Cashmere beige/cash. beige	89		
(3A)	944 521 002 62	Sports seat without heating Leatherette/ Seat and backrest surface Leather	/R	1	M387
	944 521 002 62 JN3	Black/black			
	944 521 002 62 TV2	Mahogany/mahogany			
	944 521 002 62 TS2	Marine blue/marine blue			
	944 521 002 62 NZ8	Burgundy/burgundy			
	944 521 002 62 PX9	Greyish green/grey-green	-88		
	944 521 002 62 TW2	Linen/linen			
	944 521 002 62 XN3	Cashmere beige/cash. beige	89		
(3A)	944 521 001 66	Sports seat with heating Leatherette/ Seat and backrest surface Leather	/L	1	M383
	944 521 001 66 JN3	Black/black			
	944 521 001 66 TV2	Mahogany/mahogany			
	944 521 001 66 TS2	Marine blue/marine blue			
	944 521 001 66 NZ8	Burgundy/burgundy			
	944 521 001 66 PX9	Greyish green/grey-green	-88		
	944 521 001 66 TW2	Linen/linen			
	944 521 001 66 XN3	Cashmere beige/cash. beige	89		
(3A)	944 521 002 66	Sports seat with heating Leatherette/ Seat and backrest surface Leather	/R	1	M387
	944 521 002 66 JN3	Black/black			
	944 521 002 66 TV2	Mahogany/mahogany			
	944 521 002 66 TS2	Marine blue/marine blue			
	944 521 002 66 NZ8	Burgundy/burgundy			
	944 521 002 66 PX9	Greyish green/grey-green	-88		
	944 521 002 66 TW2	Linen/linen			
	944 521 002 66 XN3	Cashmere beige/cash. beige	89		
3A	944 521 001 60	Sports seat without heating Whole-leather	/L	1	M383
	944 521 001 60 KZ2	Black			
	944 521 001 60 TV1	Mahogany			

Model: STZ Model life 1985>>1998

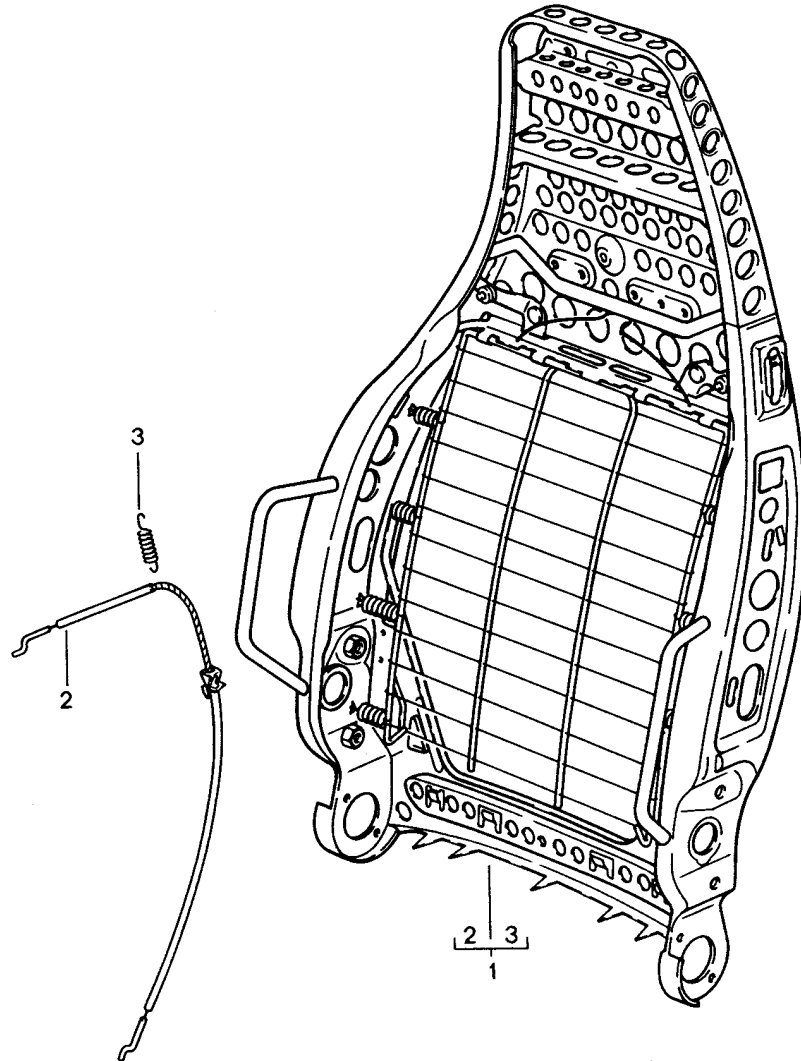
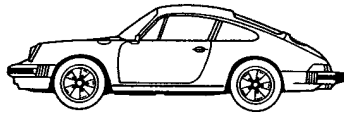
Pos	Part Number	Description	Remark	Qty	Model
	944 521 001 60 TS1	Marine blue			
	944 521 001 60 LG7	Burgundy			
	944 521 001 60 QC2	Greyish green	-88		
	944 521 001 60 XG1	Plum red	-88		
	944 521 001 60 XG2	Silver-grey	-88		
	944 521 001 60 LG5	Champagne	-88		
	944 521 001 60 XG3	Caramel			
	944 521 001 60 TW1	Linen			
	944 521 001 60 XG4	Venetian blue			
	944 521 001 60 XN4	Cashmere beige	89		
	944 521 001 60 XN5	Silk grey	89		
	944 521 001 60 XN6	Velvet red	89		
	944 521 001 60 XN7	Slate grey	89		
(3A)	944 521 002 60	Sports seat without heating Whole-leather	/R	1	M387
	944 521 002 60 KZ2	Black			
	944 521 002 60 TV1	Mahogany			
	944 521 002 60 TS1	Marine blue			
	944 521 002 60 LG7	Burgundy			
	944 521 002 60 QC2	Greyish green	-88		
	944 521 002 60 XG1	Plum red	-88		
	944 521 002 60 XG2	Silver-grey	-88		
	944 521 002 60 LG5	Champagne	-88		
	944 521 002 60 XG3	Caramel			
	944 521 002 60 TW1	Linen			
	944 521 002 60 XG4	Venetian blue			
	944 521 002 60 XN4	Cashmere beige	89		
	944 521 002 60 XN5	Silk grey	89		
	944 521 002 60 XN6	Velvet red	89		
	944 521 002 60 XN7	Slate grey	89		
(3A)	944 521 001 64	Sports seat with heating Whole-leather	/L	1	M383
	944 521 001 64 KZ2	Black			
	944 521 001 64 TV1	Mahogany			
	944 521 001 64 TS1	Marine blue			
	944 521 001 64 LG7	Burgundy			
	944 521 001 64 QC2	Greyish green	-88		
	944 521 001 64 XG1	Plum red	-88		
	944 521 001 64 XG2	Silver-grey	-88		
	944 521 001 64 LG5	Champagne	-88		
	944 521 001 64 XG3	Caramel			
	944 521 001 64 TW1	Linen			
	944 521 001 64 XG4	Venetian blue			
	944 521 001 64 XN4	Cashmere beige	89		
	944 521 001 64 XN5	Silk grey	89		
	944 521 001 64 XN6	Velvet red	89		
	944 521 001 64 XN7	Slate grey	89		
(3A)	944 521 002 64	Sports seat with heating Whole-leather	/R	1	M387
	944 521 002 64 KZ2	Black			
	944 521 002 64 TV1	Mahogany			
	944 521 002 64 TS1	Marine blue			
	944 521 002 64 LG7	Burgundy			
	944 521 002 64 QC2	Greyish green	-88		
	944 521 002 64 XG1	Plum red	-88		
	944 521 002 64 XG2	Silver-grey	-88		
	944 521 002 64 LG5	Champagne	-88		
	944 521 002 64 XG3	Caramel			
	944 521 002 64 TW1	Linen			
	944 521 002 64 XG4	Venetian blue			

Model: STZ Model life 1985>>1998

Pos	Part Number	Description	Remark	Qty	Model
	944 521 002 64 XN4	Cashmere beige	89		
	944 521 002 64 XN5	Silk grey	89		
	944 521 002 64 XN6	Velvet red	89		
	944 521 002 64 XN7	Slate grey	89		
4	911 521 547 00	Screw M 10 X 20		8	
5	928 521 147 02	Cover	/L	2	
	928 521 147 02 01C	Black			
	928 521 147 02 4MJ	Mahogany			
	928 521 147 02 9JJ	Marine blue			
	928 521 147 02 9MM	Burgundy			
	928 521 147 02 1DJ	Greyish green	-88		
	928 521 147 02 7XJ	Linen			
	928 521 147 02 3UD	Cashmere beige	89		
(5)	928 521 148 02	Cover	/R	2	
	928 521 148 02 01C	Black			
	928 521 148 02 4MJ	Mahogany			
	928 521 148 02 9JJ	Marine blue			
	928 521 148 02 9MM	Burgundy			
	928 521 148 02 1DJ	Greyish green	-88		
	928 521 148 02 7XJ	Linen			
	928 521 148 02 3UD	Cashmere beige	89		
6	900 025 044 07	Washer A 4,3		8	
7	900 143 113 07	Oval-head screw B 4,2 X 13		8	
7	900 143 113 0G	Oval-head screw B 4,2 X 13		8	
8	928 521 760 05	Cover		2	
	928 521 760 05 01C	Satin black			
9	N 013 959 3	Oval-head sheetmetal screw B 3,5 X 16		4	
9	900 143 016 02	Oval-head sheetmetal screw B 3,5 X 16		4	
10	900 025 013 07	Washer A 3,7		4	
11	900 119 030 02	Pan-head screw M 8 X 20		12	
12	900 031 105 01	Washer		12	
12	900 031 001 02	Washer 8,4		12	
12	900 031 105 01	Washer 8,4		12	
13	964 521 701 00	Threaded plate Front and rear 2 X M 8		X	
(13)	928 521 101 08	Threaded plate Rear 4 X M 8		X	

Model: STZ

Model life 1985>>1998



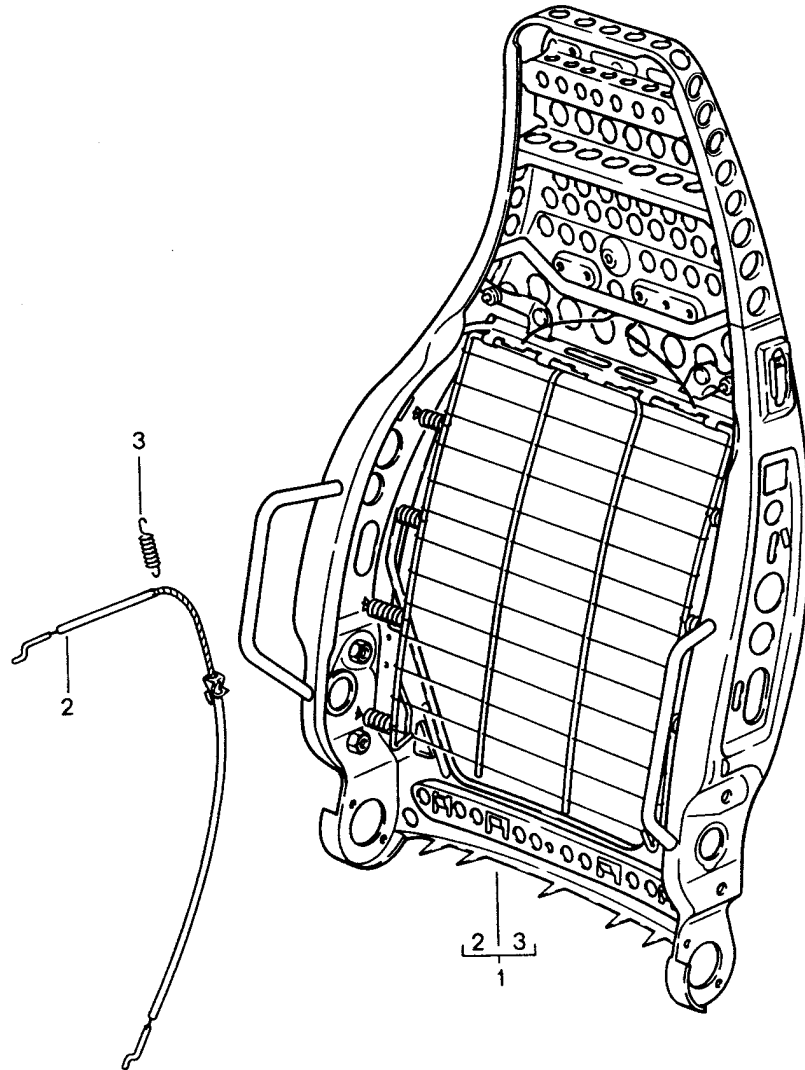
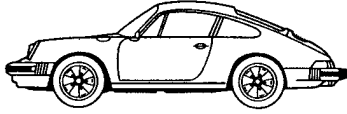


**Model: STZ**      **Model life 1985>>1998**

Pos	Part Number	Description	Remark	Qty	Model
		Backrest frame	85-86		911 CARRERA
		Sports seat			TURBO
1	944 521 027 01	Backrest frame		2	
2	928 521 093 02	Bowden cable		2	
3	311 881 287 A	Tension spring		2	
		Actuating lever			

Model: STZ

Model life 1985>>1998

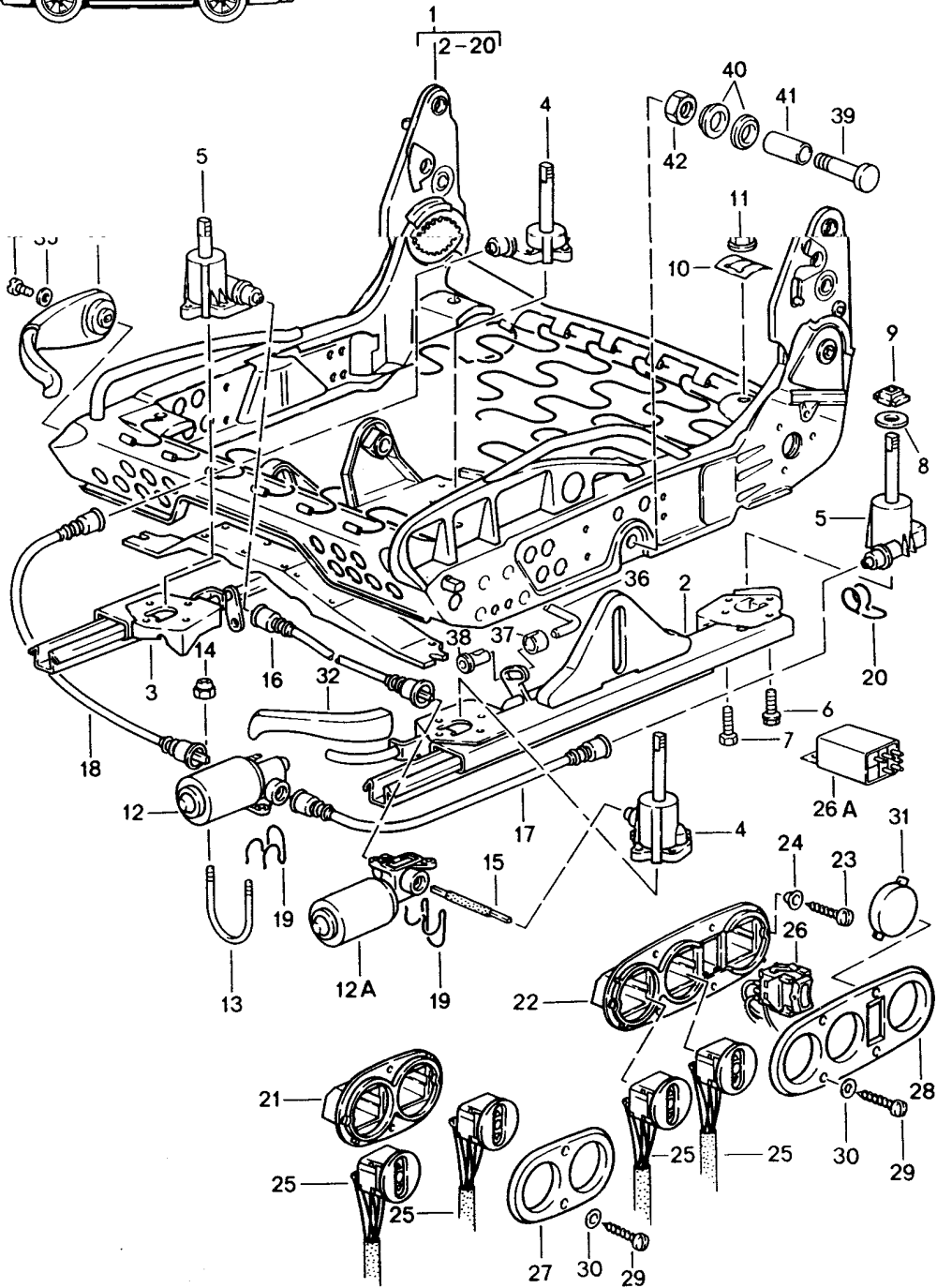
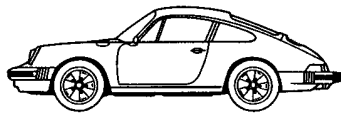


**Model: STZ**                      **Model life 1985>>1998**

Pos	Part Number	Description	Remark	Qty	Model
		Backrest frame	87-89		911 CARRERA
		Sports seat			TURBO
1	944 521 027 01	Backrest frame		2	
2	928 521 093 02	Bowden cable		2	
3	311 881 287 A	Tension spring		2	
		Actuating lever			

Model: STZ

Model life 1985>>1998



Model: STZ Model life 1985>>1998

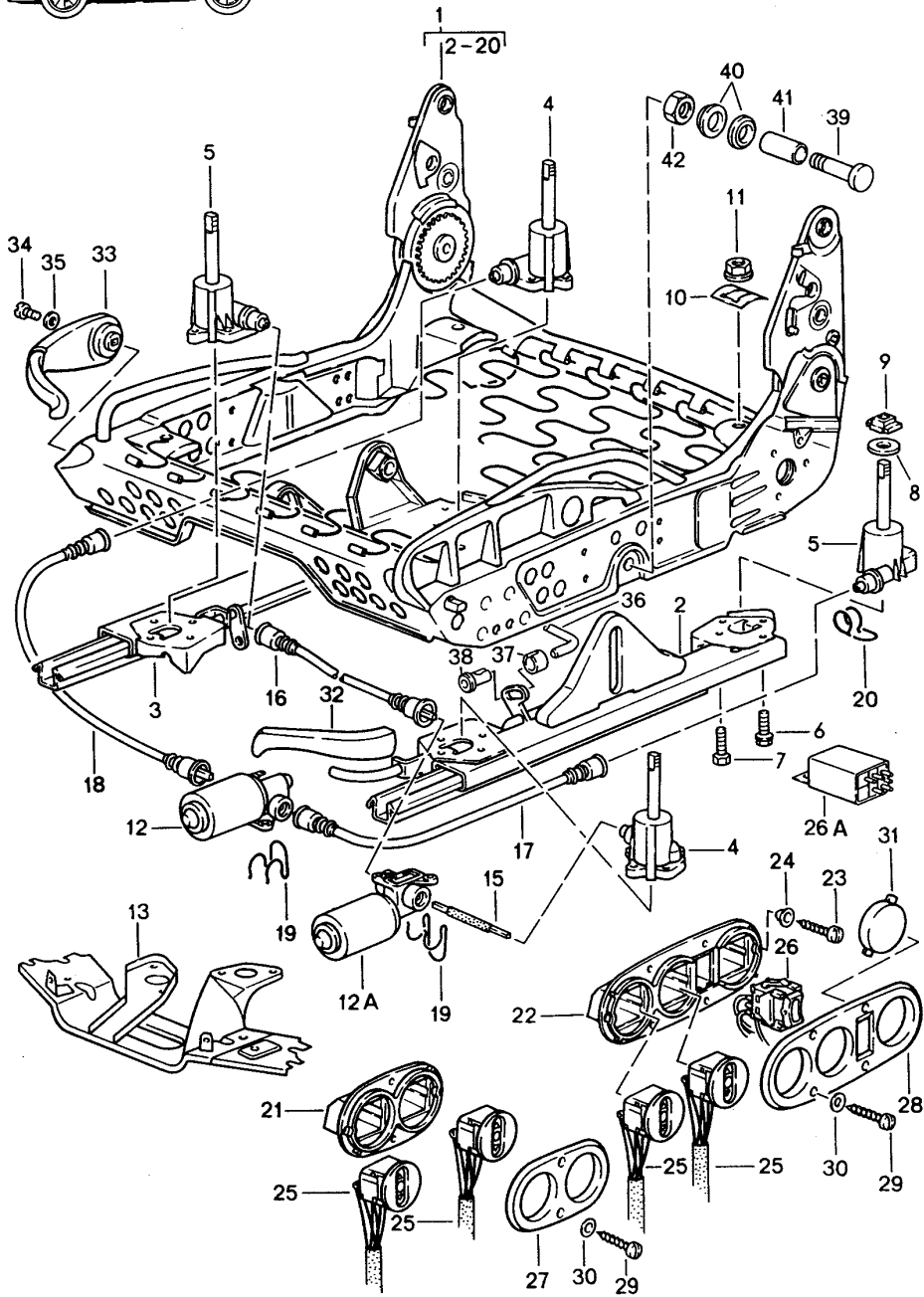
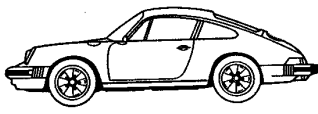
Pos	Part Number	Description	Remark	Qty	Model
		Seat frame	85-86		911 CARRERA
		Sports seat			TURBO
1	993 521 069 02	Seat frame	/L	1	
(1)	993 521 070 02	Seat frame	/R	1	
2	928 521 489 11	Seat rail		1	
		Left seat			
		Outer			
(2)	928 521 490 11	Seat rail		1	
		Right seat			
		Outer			
3	964 521 492 00	Seat rail		1	
(3)	964 521 491 00	Seat rail		1	
4	928 521 721 03	Lifting gear		4	
		Left front, right rear			
5	928 521 722 03	Lifting gear		4	
		Right front, left rear			
6	999 217 033 01	Locking screw		10	
		M 6 X 16			
7	900 186 032 02	Pan-head screw		4	
		M 6 X 12			
8	999 025 129 40	Washer		8	
9	928 521 727 02	Slide		8	
10	928 521 723 02	Guide spring		8	
11	928 521 730 02	Nut		8	
12	928 624 126 01	Geared motor		2	
		Rear vertical adjustment			
12A		Geared motor		2	
		Front vertical adjustment			
13	999 222 001 02	Stirrup bolt		4	
		M 4			
14	900 910 006 02	Lock nut		8	
		M 4			
14	900 084 020 01	Lock nut		8	
		M 4			
15	928 521 671 03	Shaft	/L	2	
		Front vertical adjustment			
16	928 521 672 02	Pliable shaft	/R	2	
		Front vertical adjustment			
17	928 521 673 05	Flexible shaft	/L	2	
		Rear vertical adjustment			
18	928 521 674 02	Pliable shaft	/R	2	
		Rear vertical adjustment			
19	928 521 675 02	Moulded spring		4	
		for engine			
20	928 521 699 00	Moulded spring		6	
		for			
		Transmission			
21	928 521 559 04	Switch insert		2	
22	928 521 559 02	Switch insert	/L	1	
		Seat heater			
(22)	928 521 560 02	Switch insert	/R	1	
		Seat heater			
23	N 013 988 1	Counters. head tapp. screw		4	
		B 3,5 X 16			
24	999 591 849 07	Washer		4	
25	928 613 181 00	Switch		4	
		Front vertical adjustment			
		Rear vertical adjustment			
26	928 613 187 01	Switch		1	
		Seat heater			
(26)	928 613 188 01	Switch		1	
		Seat heater			
26A	928 618 521 00	Relay		2	

Model: STZ Model life 1985>>1998

Pos	Part Number	Description	Remark	Qty	Model
27	928 521 561 04	Seat heater		2	
	928 521 561 04 01C	Trim for switch			
28	928 521 561 03	Satin black		2	
	928 521 561 03 01C	Trim for switch			
29	N 013 959 3	Seat heater		X	
		Satin black			
29	900 143 016 02	Oval-head sheetmetal screw		X	
		B 3,5 X 16			
30	900 025 013 07	Oval-head sheetmetal screw		X	
		B 3,5 X 16			
31	928 613 425 00	Washer		X	
		A 3,7			
(32)	911 521 533 01	Cover		X	
		Seat heater			
	911 521 533 01 01C	Handle		2	
		for longitudinal adjustment			
(33)	964 521 073 00	Satin black		2	
	964 521 073 00 01C	Lever			
		for backrest adjustment			
(33)	964 521 073 01	Satin black		2	
	964 521 073 01 01C	Lever			
		for backrest adjustment			
34	900 119 011 07	Black		2	
		Pan-head screw			
		M 5 X 10			
35	900 031 006 07	Washer		2	
		5,3			
36	928 521 525 03	Connecting rod		2	
		for longitudinal adjustment			
37	N 902 514 01	Clamping sleeve		4	
		for longitudinal adjustment			
38	N 902 515 01	Guide bush		4	
		for longitudinal adjustment			
39	928 521 681 02	Bolt		4	
40	928 521 683 02	Washer		8	
		1,5 PA 6			
41	928 521 685 02	Bush		4	
42	900 034 003 02	Hexagon nut		4	
		M 10			

Model: STZ

Model life 1985>>1998



Model: STZ Model life 1985>>1998

Pos	Part Number	Description	Remark	Qty	Model
		Seat frame	87-89		911 CARRERA
		Sports seat			TURBO
1	993 521 069 02	Seat frame	/L	1	
(1)	993 521 070 02	Seat frame	/R	1	
(2)	928 521 489 11	Seat rail		1	
		Left seat			
		Outer			
		F 91KS1 20887>>			COUPE
		F 91KS1 60722>>			TARGA
		F 91KS1 71042>>			CABRIO
		F 93KS0 50447>>			TURBO COUPE
		F 93KS0 60090>>			TURBO TARGA
		F 93KS0 70418>>			TURBO CABRIO
(2)	928 521 490 11	Seat rail		1	
		Right seat			
		Outer			
		F 91KS1 20887>>			COUPE
		F 91KS1 60722>>			TARGA
		F 91KS1 71042>>			CABRIO
		F 93KS0 50447>>			TURBO COUPE
		F 93KS0 60090>>			TURBO TARGA
		F 93KS0 70418>>			TURBO CABRIO
3	964 521 492 00	Seat rail		1	
		Left seat			
		Inner			
		F >>91KS1 20886			COUPE
		F >>91KS1 60721			TARGA
		F >>91KS1 71041			CABRIO
		F >>93KS0 50446			TURBO COUPE
		F >>93KS0 60089			TURBO TARGA
		F >>93KS0 70417			TURBO CABRIO
(3)		Seat rail		1	
		Left seat			
		Inner			
		F 91KS1 20887>>			COUPE
		F 91KS1 60722>>			TARGA
		F 91KS1 71042>>			CABRIO
		F 93KS0 50447>>			TURBO COUPE
		F 93KS0 60090>>			TURBO TARGA
		F 93KS0 70418>>			TURBO CABRIO
(3)	964 521 491 00	Seat rail		1	
		Right seat			
		Inner			
		F >>91KS1 20886			COUPE
		F >>91KS1 60721			TARGA
		F >>91KS1 71041			CABRIO
		F >>93KS0 50446			TURBO COUPE
		F >>93KS0 60089			TURBO TARGA
		F >>93KS0 70417			TURBO CABRIO
(3)		Seat rail		1	
		Right seat			
		Inner			
		F 91KS1 20887>>			COUPE
		F 91KS1 60722>>			TARGA
		F 91KS1 71042>>			CABRIO
		F 93KS0 50447>>			TURBO COUPE
		F 93KS0 60090>>			TURBO TARGA
		F 93KS0 70418>>			TURBO CABRIO
4	928 521 721 03	Lifting gear		4	
5	928 521 722 03	Left front, right rear		4	
6	999 217 033 01	Lifting gear		4	
		Right front, left rear			
		Locking screw		10	



Model: STZ Model life 1985>>1998

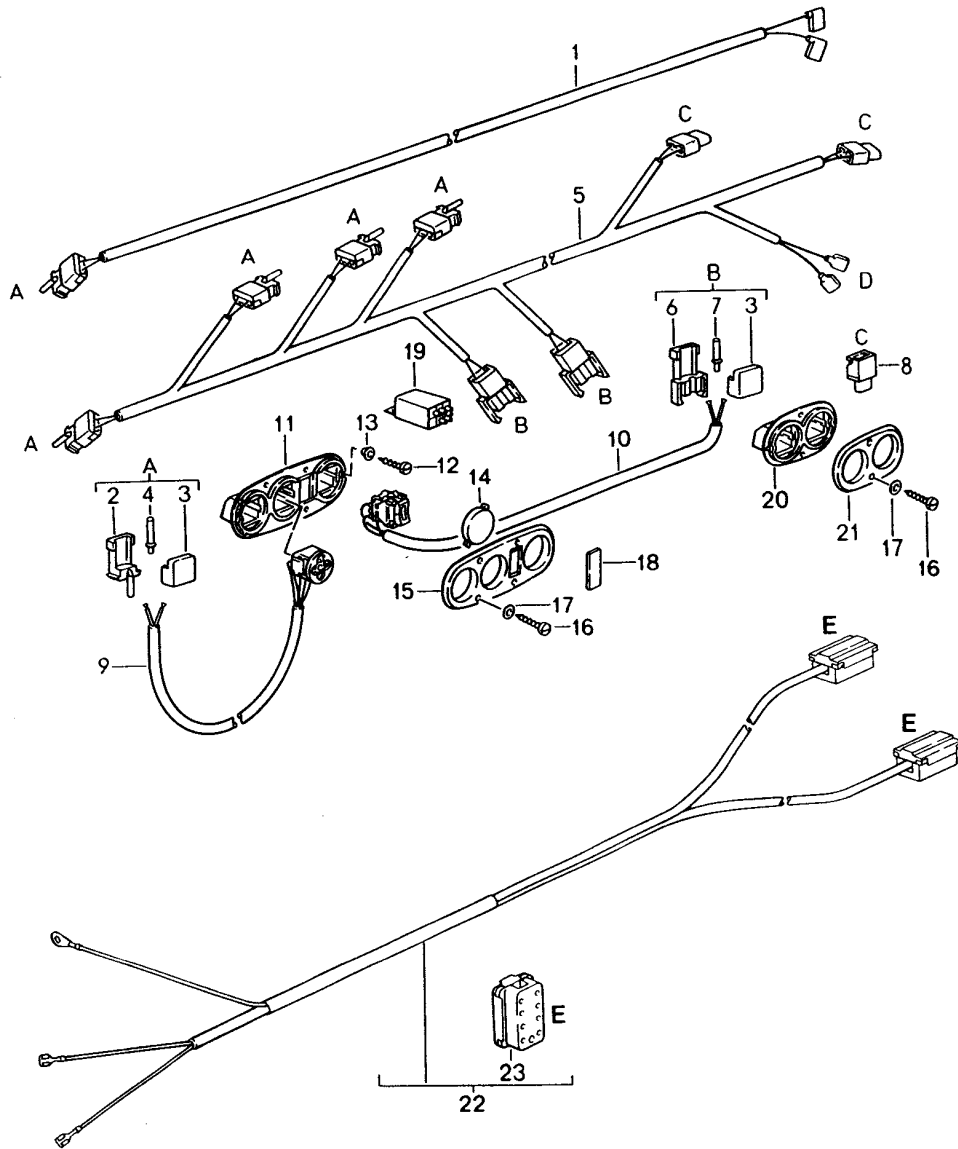
Pos	Part Number	Description	Remark	Qty	Model
7	900 186 032 02	M 6 X 16 Pan-head screw		4	
8	999 025 129 40	M 6 X 12 Washer		8	
9	928 521 727 02	Slide		8	
10	928 521 723 02	Guide spring		8	
11	928 521 730 02	Nut		8	
12	928 624 126 01	Geared motor		2	
12A		Rear vertical adjustment Geared motor		2	
13	928 521 033 02	Front vertical adjustment Engine support		2	
15	928 521 671 03	Shaft	/L	2	
16	928 521 672 03	Front vertical adjustment Shaft	/R	2	
17	928 521 673 05	Front vertical adjustment Flexible shaft	/L	2	
18	928 521 674 05	Rear vertical adjustment Flexible shaft	/R	2	
18	928 521 674 06	Rear vertical adjustment Flexible shaft	/R	2	
19	928 521 675 02	Rear vertical adjustment Moulded spring		2	
20	928 521 699 00	for engine Moulded spring		3	
21	928 521 559 04	Transmission Switch insert		2	
22	928 521 559 02	Switch insert	/L	1	
(22)	928 521 560 02	Seat heater Switch insert	/R	1	
23	N 013 988 1	Seat heater Counters. head tapp. screw		4	
24	999 591 849 07	B 3,5 X 16 Washer		4	
25	928 613 181 00	Switch		4	
(26)	928 613 187 02	Front vertical adjustment Rear vertical adjustment Switch	/L -88	1	
(26)	928 613 188 02	Seat heater Satin black Switch	/R -88	1	
26	928 613 188 02 01C	Seat heater Satin black		2	
26A	928 613 187 04	Switch	89	2	
26A	928 613 187 04 01C	Seat heater Satin black	-88	2	
26A	928 618 521 00	Relay		2	
27	928 618 521 03	Seat heater Control unit		2	
27	928 521 561 04	Seat heater Trim for switch		2	
28	928 521 561 04 01C	Satin black		2	
28	928 521 561 03	Trim for switch Seat heater		2	
29	928 521 561 03 01C	Satin black		X	
29	N 013 959 3	Oval-head sheetmetal screw		X	
29	900 143 016 02	B 3,5 X 16 Oval-head sheetmetal screw		X	
30	900 025 013 07	Washer		X	
31	928 613 425 00	A 3,7 Cover		X	
		Seat heater			

Model: STZ Model life 1985>>1998

Pos	Part Number	Description	Remark	Qty	Model
(32)	911 521 533 01	Handle for longitudinal adjustment		2	
	911 521 533 01 01C	Satin black			
(33)	964 521 073 00	Lever for backrest adjustment		2	
	964 521 073 00 01C	Satin black			
(33)	964 521 073 01	Lever for backrest adjustment		2	
	964 521 073 01 01C	Black			
34	900 119 011 07	Pan-head screw M 5 X 10		2	
35	900 031 006 07	Washer 5,3		2	
36	928 521 525 03	Connecting rod for longitudinal adjustment		2	
37	N 902 514 01	Clamping sleeve for longitudinal adjustment		4	
38	N 902 515 01	Guide bush for longitudinal adjustment		4	
39	928 521 681 02	Bolt		4	
40	928 521 683 02	Washer 1,5 PA 6		8	
41	928 521 685 02	Bush		4	
42	900 034 003 02	Hexagon nut M 10		4	

Model: STZ

Model life 1985>>1998



Model: STZ Model life 1985>>1998

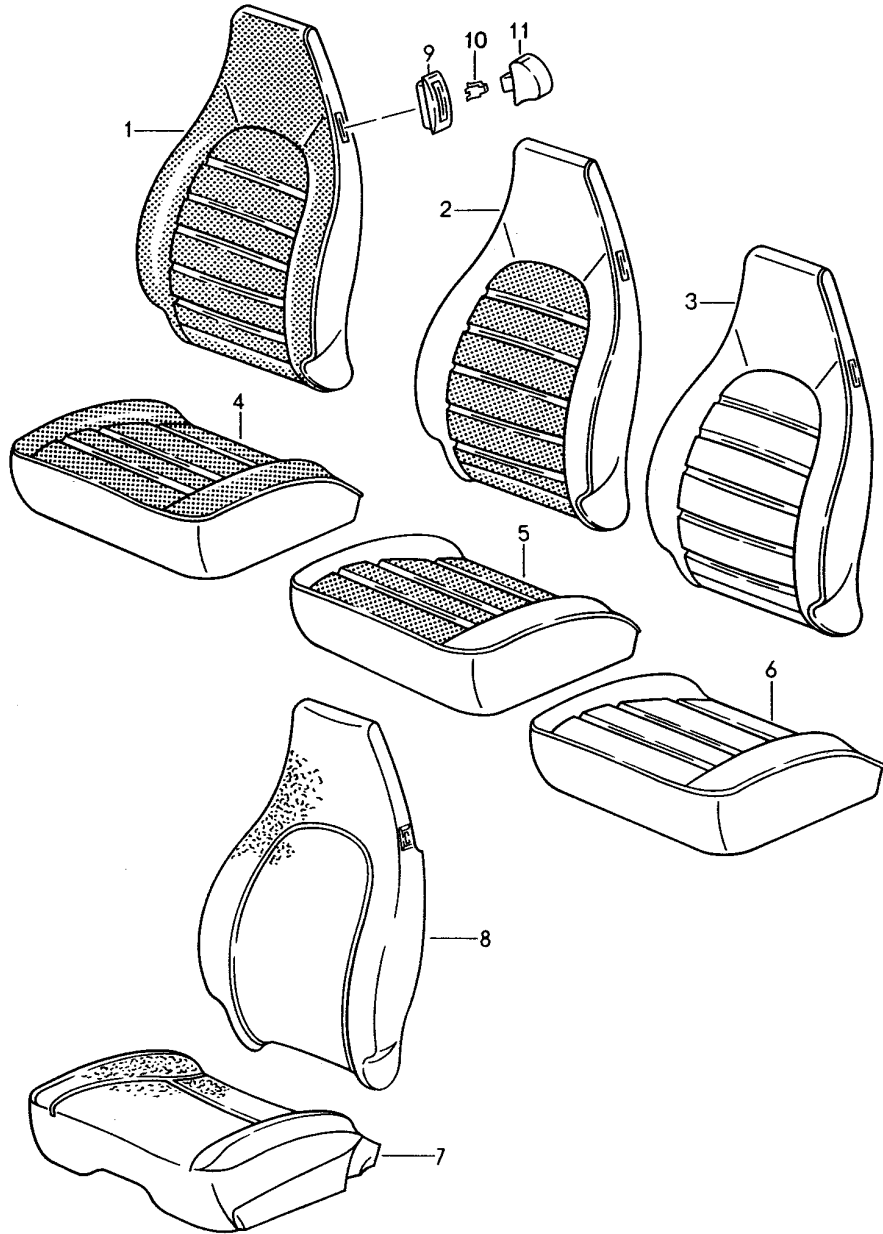
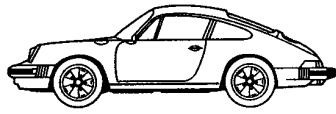
Pos	Part Number	Description	Remark	Qty	Model
		Wiring harnesses	87-89		911 CARRERA
		Switch			TURBO
1	928 612 343 00	Front seat Connecting line for backrest adjustment		2	
2	999 652 368 40	Connector housing		X	
3	999 652 372 40	Clip		X	
4	999 652 369 12	Pin		X	
(5)	928 612 340 00	Wiring harness	89	2	
		Seat heater			
(5)	928 612 338 00	Wiring harness for backrest adjustment	89	2	
		Seat heater			
5	928 612 337 00	Wiring harness for backrest adjustment Lumbar support adjustment		2	
		And			
		Seat heater			
6	999 652 370 40	Connector housing		X	
7	999 652 371 12	Contact bush		X	
8	928 612 557 00	Connector housing		X	
(9)	928 613 181 00	Switch		4	
		Front vertical adjustment			
		Rear vertical adjustment			
9	928 613 182 00	Switch for longitudinal adjustment		2	
		Front vertical adjustment			
(9)	928 613 183 00	Switch for backrest adjustment		2	
		Rear vertical adjustment			
(9)	928 613 184 00	Switch Lumbar support adjustment		2	
		Satin black			
10	928 613 184 00 01C	Switch	/L -88	1	
		Seat heater			
		Satin black			
(10)	928 613 187 02	Switch	/R -88	1	
		Seat heater			
		Satin black			
(10)	928 613 188 02 01C	Switch	89	2	
		Seat heater			
		Satin black			
11	928 613 187 04 01C	Switch insert	/L	1	
		Seat heater			
(11)	928 521 559 02	Switch insert	/R	1	
		Seat heater			
12	N 013 988 1	Counters. head tapp. screw B 3,5 X 16		4	
13	999 591 849 07	Washer		4	
14	928 613 425 00	Cover		X	
		Seat heater			
15	928 521 561 03	Trim for switch		2	
		Seat heater			
		Satin black			
16	928 521 561 03 01C	Oval-head sheetmetal screw B 3,5 X 16		X	
		Oval-head sheetmetal screw B 3,5 X 16		X	
16	900 143 016 02	Washer		X	
		A 3,7			
17	900 025 013 07	Cover		X	
18	944 613 259 02	Satin black		X	
	944 613 259 02 1DB	Relay	-88	2	
19	928 618 521 00				

Model: STZ Model life 1985>>1998

Pos	Part Number	Description	Remark	Qty	Model
19	928 618 521 03	Seat heater Control unit		2	
20	928 521 559 04	Seat heater Switch insert		2	
21	928 521 561 04	Trim for switch		2	
22	928 521 561 04 01C	Satin black			
22	911 612 521 02	Wiring harness for electric seat equipment		1	
23	944 612 117 00	Connector housing 8-pole		2	

Model: STZ

Model life 1985>>1998



Model: STZ Model life 1985>>1998

Pos	Part Number	Description	Remark	Qty	Model
1	928 521 071 22	Cover Front seat Backrest cover without heating Leatherette/ Backrest surface Pin stripe velour	85-86	2	911 CARRERA TURBO
	928 521 071 22 NY5	Black/ Black-white			
	928 521 071 22 NY7	Brown Brown-beige			
	928 521 071 22 QA3	Blue/ Blue-white			
	928 521 071 22 NY8	Burgundy/ Burgundy-white			
	928 521 071 22 QA4	Greyish green Greyish green-white			
	928 521 071 22 RU3	Grey-beige/ Grey-beige-white	86		
(1)	928 521 071 63	Backrest cover with heating Leatherette/ Backrest surface Pin stripe velour		2	
	928 521 071 63 NY5	Black/ Black-white			
	928 521 071 63 NY7	Brown Brown-beige			
	928 521 071 63 QA3	Blue/ Blue-white			
	928 521 071 63 NY8	Burgundy/ Burgundy-white			
	928 521 071 63 QA4	Greyish green Greyish green-white			
	928 521 071 63 RU3	Grey-beige/ Grey-beige-white	86		
1	928 521 071 22	Backrest cover without heating Leatherette/ Backrest surface Pin stripe flannel		2	
	928 521 071 22 NY9	Black/anthracite			
	928 521 071 22 NZ6	Brown/brown			
	928 521 071 22 QA6	Blue/blue			
	928 521 071 22 NZ5	Burgundy/burgundy			
	928 521 071 22 QA5	Greyish green/grey-green			
(1)	928 521 071 63	Backrest cover with heating Leatherette/ Backrest surface Pin stripe flannel		2	
	928 521 071 63 NY9	Black/anthracite			
	928 521 071 63 NZ6	Brown/brown			
	928 521 071 63 QA6	Blue/blue			
	928 521 071 63 NZ5	Burgundy/burgundy			
	928 521 071 63 QA5	Greyish green/grey-green			
1	928 521 071 22	Backrest cover without heating Leatherette/ Backrest surface Porsche lettering cloth		2	
	928 521 071 22 PX2	Black/black			
	928 521 071 22 PX4	Brown/brown			

Model: STZ Model life 1985>>1998

Pos	Part Number	Description	Remark	Qty	Model				
(1)	928 521 071 22 PX7	Blue/blue	86	2					
	928 521 071 22 PX6	Burgundy/burgundy							
	928 521 071 22 PX8	Greyish green/grey-green							
	928 521 071 22 QD9	Grey-beige/grey-beige							
	928 521 071 63	Backrest cover with heating Leatherette/ Backrest surface Porsche lettering cloth							
	928 521 071 63 PX2	Black/black							
	928 521 071 63 PX4	Brown/brown							
	928 521 071 63 PX7	Blue/blue							
	928 521 071 63 PX6	Burgundy/burgundy							
	928 521 071 63 PX8	Greyish green/grey-green							
2	928 521 071 63 QD9	Grey-beige/grey-beige	86	2					
	928 521 071 50	Backrest cover without heating Leatherette/leather Centre part in cloth Pin stripe velour							
	928 521 071 50 PY1	Black/black Black-white							
	928 521 071 50 PY2	Brown Brown-beige							
	928 521 071 50 PY3	Blue/ Blue-white							
	928 521 071 50 PY4	Burgundy/burgundy Burgundy-white							
	928 521 071 50 PY5	Greyish green Greyish green-white							
	928 521 071 50 RU4	Grey-beige/ Grey-beige-white							
	(2)	928 521 071 52				Backrest cover with heating Leatherette/leather Centre part in cloth Pin stripe velour	86	2	
		928 521 071 52 PY1				Black/ Black-white			
928 521 071 52 PY2		Brown Brown-beige							
928 521 071 52 PY3		Blue/ Blue-white							
928 521 071 52 PY4		Burgundy/ Burgundy-white							
928 521 071 52 PY5		Greyish green Greyish green-white							
928 521 071 52 RU4		Grey-beige/ Grey-beige-white							
2		928 521 071 50	Backrest cover without heating Leatherette/leather Centre part in cloth Pin stripe flannel	86	2				
		928 521 071 50 PZ2	Black/anthracite Anthracite						
		928 521 071 50 PZ3	Brown/brown Brown						
	928 521 071 50 PZ4	Blue/blue Blue							
	928 521 071 50 PZ5	Burgundy/burgundy Burgundy							
	928 521 071 50 PZ6	Greyish green/grey-green							



Model: STZ Model life 1985>>1998

Pos	Part Number	Description	Remark	Qty	Model
(2)	928 521 071 52	Greyish green Backrest cover with heating Leatherette/leather Centre part in cloth Pin stripe flannel		2	
	928 521 071 52 PZ2	Black/anthracite Anthracite			
	928 521 071 52 PZ3	Brown/brown Brown			
	928 521 071 52 PZ4	Blue/blue Blue			
	928 521 071 52 PZ5	Burgundy/burgundy Burgundy			
	928 521 071 52 PZ6	Greyish green/grey-green Greyish green			
2	928 521 071 50	Backrest cover without heating Leatherette/leather Centre part Porsche lettering cloth		2	
	928 521 071 50 PZ7	Black/black Black			
	928 521 071 50 PZ8	Brown/brown Brown			
	928 521 071 50 PZ9	Blue/blue Blue			
	928 521 071 50 QA1	Burgundy/burgundy Burgundy			
	928 521 071 50 QA2	Greyish green/grey-green Greyish green			
	928 521 071 50 RU2	Grey-beige/grey-beige Grey-beige	86		
(2)	928 521 071 52	Backrest cover with heating Leatherette/leather Centre part Porsche lettering cloth		2	
	928 521 071 52 PZ7	Black/black Black			
	928 521 071 52 PZ8	Brown/brown Brown			
	928 521 071 52 PZ9	Blue/blue Blue			
	928 521 071 52 QA1	Burgundy/burgundy Burgundy			
	928 521 071 52 QA2	Greyish green/grey-green Greyish green			
	928 521 071 52 RU2	Grey-beige/grey-beige Grey-beige	86		
2	928 521 071 66	Backrest cover without heating Leather/ Centre part in cloth Pin stripe velour		2	
	928 521 071 66 LS5	Black/ Black-white			
	928 521 071 66 LS6	Brown Brown-beige			
	928 521 071 66 LS8	Blue/ Blue-white			
	928 521 071 66 LS9	Burgundy/ Burgundy-white			

Model: STZ Model life 1985>>1998

Pos	Part Number	Description	Remark	Qty	Model
2	928 521 071 66 QA7	Greyish green Greyish green-white	86	2	
	928 521 071 66 LS7	Grey-beige/ Grey-beige-white			
	928 521 071 67	Backrest cover with heating Leather/ Centre part in cloth Pin stripe velour			
	928 521 071 67 LS5	Black/ Black-white			
	928 521 071 67 LS6	Brown Brown-beige			
	928 521 071 67 LS8	Blue/ Blue-white			
	928 521 071 67 LS9	Burgundy/ Burgundy-white			
	928 521 071 67 QA7	Greyish green Greyish green-white			
	928 521 071 67 LS7	Grey-beige/ Grey-beige-white			
2	928 521 071 66	Backrest cover without heating Leather/ Centre part in cloth Pin stripe flannel	86	2	
	928 521 071 66 QB1	Black/anthracite			
	928 521 071 66 QB3	Brown/brown			
	928 521 071 66 QB5	Blue/blue			
	928 521 071 66 QB7	Burgundy/burgundy			
	928 521 071 66 QA8	Greyish green/grey-green			
	928 521 071 67	Backrest cover with heating Leather/ Centre part in cloth Pin stripe flannel			
	928 521 071 67 QB1	Black/anthracite			
	928 521 071 67 QB3	Brown/brown			
2	928 521 071 67 QB5	Blue/blue	86	2	
	928 521 071 67 QB7	Burgundy/burgundy			
	928 521 071 67 QA8	Greyish green/grey-green			
	928 521 071 66	Backrest cover without heating Leather/ Centre part in cloth Porsche lettering cloth			
	928 521 071 66 QB2	Black/black			
	928 521 071 66 QB4	Brown/brown			
	928 521 071 66 QB6	Blue/blue			
	928 521 071 66 QB8	Burgundy/burgundy			
	928 521 071 66 QA9	Greyish green/grey-green			
2	928 521 071 66 RU1	Grey-beige/grey-beige	86	2	
	928 521 071 67	Backrest cover with heating Leather/ Centre part in cloth Porsche lettering cloth			
	928 521 071 67 QB2	Black/black			
	928 521 071 67 QB4	Brown/brown			
	928 521 071 67 QB6	Blue/blue			
2	928 521 071 67 QB8	Burgundy/burgundy	86	2	
	928 521 071 67 QA9	Greyish green/grey-green			
	928 521 071 67 RU1	Grey-beige/grey-beige			
	928 521 071 67 QB2	Black/black			
	928 521 071 67 QB4	Brown/brown			
928 521 071 67 QB6	Blue/blue				
928 521 071 67 QB8	Burgundy/burgundy				
928 521 071 67 QA9	Greyish green/grey-green				
928 521 071 67 RU1	Grey-beige/grey-beige				

Model: STZ Model life 1985>>1998

Pos	Part Number	Description	Remark	Qty	Model
3	928 521 071 51	Backrest cover without heating Leatherette/ Backrest surface Leather		2	
	928 521 071 51 JN3	Black			
	928 521 071 51 JN4	Brown			
	928 521 071 51 QC1	Blue			
	928 521 071 51 NZ8	Burgundy			
	928 521 071 51 PX9	Greyish green			
	928 521 071 51 JN5	Grey-beige	86		
(3)	928 521 071 62	Backrest cover with heating Leatherette/ Backrest surface Leather		2	
	928 521 071 62 JN3	Black			
	928 521 071 62 JN4	Brown			
	928 521 071 62 QC1	Blue			
	928 521 071 62 NZ8	Burgundy			
	928 521 071 62 PX9	Greyish green			
	928 521 071 62 JN5	Grey-beige	86		
3	928 521 071 65	Backrest cover without heating Whole-leather		2	
	928 521 071 65 KZ2	Black			
	928 521 071 65 KZ5	Brown			
	928 521 071 65 KZ3	Blue			
	928 521 071 65 LG7	Burgundy			
	928 521 071 65 QC2	Greyish green			
	928 521 071 65 KZ6	Can-can-red			
	928 521 071 65 LG4	Pearl white			
	928 521 071 65 LG5	Champagne			
	928 521 071 65 LG6	Dark grey			
	928 521 071 65 PY9	Ocean blue			
	928 521 071 65 PZ1	Wild buffalo			
	928 521 071 65 KZ4	Grey-beige	86		
(3)	928 521 071 64	Backrest cover with heating Whole-leather		2	
	928 521 071 64 KZ2	Black			
	928 521 071 64 KZ5	Brown			
	928 521 071 64 KZ3	Blue			
	928 521 071 64 LG7	Burgundy			
	928 521 071 64 QC2	Greyish green			
	928 521 071 64 KZ6	Can-can-red			
	928 521 071 64 LG4	Pearl white			
	928 521 071 64 LG5	Champagne			
	928 521 071 64 LG6	Dark grey			
	928 521 071 64 PY9	Ocean blue			
	928 521 071 64 PZ1	Wild buffalo			
	928 521 071 64 KZ4	Grey-beige	86		
4	944 521 037 11	Cover for cushion for manual adjustment Leatherette/ Seat surface Pin stripe velour	/LL /R /RL /L	2	CARRERA
	944 521 037 11 NY5	Black/ Black-white			
	944 521 037 11 NY7	Brown Brown-beige			
	944 521 037 11 QA3	Blue/ Blue-white			

Model: STZ Model life 1985>>1998

Pos	Part Number	Description	Remark	Qty	Model
	944 521 037 11 NY8	Burgundy/ Burgundy-white			
	944 521 037 11 QA4	Greyish green Greyish green-white			
	944 521 037 11 RU3	Grey-beige/ Grey-beige-white	86		
(4)	944 521 037 14	Cover for cushion Electrically adjustable without heating Leatherette/ Seat surface Pin stripe velour	/LL /L /LL /R	2	TURBO CARRERA M438
	944 521 037 14 NY5	Black/ Black-white			
	944 521 037 14 NY7	Brown Brown-beige			
	944 521 037 14 QA3	Blue/ Blue-white			
	944 521 037 14 NY8	Burgundy/ Burgundy-white			
	944 521 037 14 QA4	Greyish green Greyish green-white			
	944 521 037 14 RU3	Grey-beige/ Grey-beige-white	86		
(4)	944 521 037 89	Cover for cushion Electrically adjustable with heating Leatherette/ Seat surface Pin stripe velour		2	
	944 521 037 89 NY5	Black/ Black-white			
	944 521 037 89 NY7	Brown/ Brown-beige			
	944 521 037 89 QA3	Blue/ Blue-white			
	944 521 037 89 NY8	Burgundy/ Burgundy-white			
	944 521 037 89 QA4	Greyish green/ Greyish green-white			
	944 521 037 89 RU3	Grey-beige/ Grey-beige-white	86		
4	944 521 037 11	Cover for cushion for manual adjustment Leatherette/ Seat surface Pin stripe flannel	/LL /R /RL /L	2	CARRERA
	944 521 037 11 NY9	Black/anthracite			
	944 521 037 11 NZ6	Brown/brown			
	944 521 037 11 QA6	Blue/blue			
	944 521 037 11 NZ5	Burgundy/burgundy			
	944 521 037 11 QA5	Greyish green/grey-green			
(4)	944 521 037 14	Cover for cushion Electrically adjustable without heating Leatherette/ Seat surface Pin stripe flannel	/LL /L /LL /R	2	TURBO CARRERA M438
	944 521 037 14 NY9	Black/anthracite			
	944 521 037 14 NZ6	Brown/brown			
	944 521 037 14 QA6	Blue/blue			
	944 521 037 14 NZ5	Burgundy/burgundy			
	944 521 037 14 QA5	Greyish green/grey-green			

Model: STZ Model life 1985>>1998

Pos	Part Number	Description	Remark	Qty	Model
(4)	944 521 037 89	Cover for cushion Electrically adjustable with heating Leatherette/ Seat surface Pin stripe flannel		2	
	944 521 037 89 NY9	Black/anthracite			
	944 521 037 89 NZ6	Brown/brown			
	944 521 037 89 QA6	Blue/blue			
	944 521 037 89 NZ5	Burgundy/burgundy			
	944 521 037 89 QA5	Greyish green/grey-green			
4	944 521 037 11	Cover for cushion for manual adjustment Leatherette/ Seat surface Porsche lettering cloth	/LL /R /RL /L	2	CARRERA
	944 521 037 11 PX2	Black/black			
	944 521 037 11 PX4	Brown/brown			
	944 521 037 11 PX7	Blue/blue			
	944 521 037 11 PX6	Burgundy/burgundy			
	944 521 037 11 PX8	Greyish green/grey-green			
	944 521 037 11 QD9	Grey-beige/grey-beige	86		
(4)	944 521 037 14	Cover for cushion Electrically adjustable without heating Leatherette/ Seat surface Porsche lettering cloth	/LL /L /LL /R	2	TURBO CARRERA M438
	944 521 037 14 PX2	Black/black			
	944 521 037 14 PX4	Brown/brown			
	944 521 037 14 PX7	Blue/blue			
	944 521 037 14 PX6	Burgundy/burgundy			
	944 521 037 14 PX8	Greyish green/grey-green			
	944 521 037 14 QD9	Grey-beige/grey-beige	86		
(4)	944 521 037 89	Cover for cushion Electrically adjustable with heating Leatherette/ Seat surface Porsche lettering cloth		2	
	944 521 037 89 PX2	Black/black			
	944 521 037 89 PX4	Brown/brown			
	944 521 037 89 PX7	Blue/blue			
	944 521 037 89 PX6	Burgundy/burgundy			
	944 521 037 89 PX8	Greyish green/grey-green			
	944 521 037 89 QD9	Grey-beige/grey-beige	86		
5	944 521 037 75	Cover for cushion for manual adjustment Leatherette/leather Centre part in cloth Pin stripe velour	/LL /R /RL /L	2	CARRERA
	944 521 037 75 PY1	Black/black Black-white			
	944 521 037 75 PY2	Brown Brown-beige			
	944 521 037 75 PY3	Blue/ Blue-white			
	944 521 037 75 PY4	Burgundy/burgundy Burgundy-white			
	944 521 037 75 PY5	Greyish green Greyish green-white			
	944 521 037 75 RU4	Grey-beige/ Grey-beige-white	86		

Model: STZ Model life 1985>>1998

Pos	Part Number	Description	Remark	Qty	Model
(5)	944 521 037 79	Cover for cushion Electrically adjustable without heating Leatherette/leather Centre part in cloth Pin stripe velour	/LL /L /LL /R	2	TURBO CARRERA M438
	944 521 037 79 PY1	Black/black			
	944 521 037 79 PY2	Black-white			
	944 521 037 79 PY3	Brown			
	944 521 037 79 PY4	Brown-beige			
	944 521 037 79 PY5	Blue/ Blue-white			
	944 521 037 79 PY4	Burgundy/burgundy			
	944 521 037 79 PY5	Burgundy-white			
	944 521 037 79 PY5	Greyish green			
	944 521 037 79 PY5	Greyish green-white			
	944 521 037 79 RU4	Grey-beige/ Grey-beige-white	86		
(5)	944 521 037 87	Cover for cushion Electrically adjustable with heating Leatherette/leather Centre part in cloth Pin stripe velour		2	
	944 521 037 87 PY1	Black/black			
	944 521 037 87 PY2	Black-white			
	944 521 037 87 PY2	Brown/brown			
	944 521 037 87 PY3	Brown-beige			
	944 521 037 87 PY3	Blue/blue			
	944 521 037 87 PY4	Blue-white			
	944 521 037 87 PY4	Burgundy/burgundy			
	944 521 037 87 PY5	Burgundy-white			
	944 521 037 87 PY5	Greyish green/grey-green			
	944 521 037 87 PY5	Greyish green-white			
	944 521 037 87 RU4	Grey-beige/grey-beige Grey-beige-white	86		
5	944 521 037 75	Cover for cushion for manual adjustment Leatherette/leather Centre part in cloth Pin stripe flannel	/LL /R /RL /L	2	CARRERA
	944 521 037 75 PZ2	Black/anthracite			
	944 521 037 75 PZ3	Anthracite			
	944 521 037 75 PZ3	Brown/brown			
	944 521 037 75 PZ4	Brown			
	944 521 037 75 PZ4	Blue/blue			
	944 521 037 75 PZ5	Blue			
	944 521 037 75 PZ5	Burgundy/burgundy			
	944 521 037 75 PZ6	Burgundy			
	944 521 037 75 PZ6	Greyish green/grey-green			
	944 521 037 75 PZ6	Greyish green			
(5)	944 521 037 79	Cover for cushion Electrically adjustable without heating Leatherette/leather Centre part in cloth Pin stripe flannel	/LL /L /LL /R	2	TURBO CARRERA M438
	944 521 037 79 PZ2	Black/anthracite			
	944 521 037 79 PZ3	Anthracite			
	944 521 037 79 PZ3	Brown/brown			
	944 521 037 79 PZ4	Brown			
	944 521 037 79 PZ4	Blue/blue			
	944 521 037 79 PZ4	Blue			

Model: STZ Model life 1985>>1998

Pos	Part Number	Description	Remark	Qty	Model
	944 521 037 79 PZ5	Burgundy/burgundy Burgundy			
	944 521 037 79 PZ6	Greyish green/grey-green Greyish green			
(5)	944 521 037 87	Cover for cushion Electrically adjustable with heating Leatherette/leather Centre part in cloth Pin stripe flannel		2	
	944 521 037 87 PZ2	Black/black Anthracite			
	944 521 037 87 PZ3	Brown/brown Brown			
	944 521 037 87 PZ4	Blue/blue Blue			
	944 521 037 87 PZ5	Burgundy/burgundy Burgundy			
	944 521 037 87 PZ6	Greyish green/grey-green Greyish green			
5	944 521 037 75	Cover for cushion for manual adjustment Leatherette/leather Centre part in cloth Porsche lettering cloth	/LL /R /RL /L	2	CARRERA
	944 521 037 75 PZ7	Black/black Black			
	944 521 037 75 PZ8	Brown/brown Brown			
	944 521 037 75 PZ9	Blue/blue Blue			
	944 521 037 75 QA1	Burgundy/burgundy Burgundy			
	944 521 037 75 QA2	Greyish green/grey-green Greyish green			
	944 521 037 75 RU2	Grey-beige/grey-beige Grey-beige	86		
(5)	944 521 037 79	Cover for cushion Electrically adjustable without heating Leatherette/leather Centre part in cloth Porsche lettering cloth	/LL /L /LL /R	2	TURBO CARRERA M438
	944 521 037 79 PZ7	Black/black Black			
	944 521 037 79 PZ8	Brown/brown Brown			
	944 521 037 79 PZ9	Blue/blue Blue			
	944 521 037 79 QA1	Burgundy/burgundy Burgundy			
	944 521 037 79 QA2	Greyish green/grey-green Greyish green			
	944 521 037 79 RU2	Grey-beige/grey-beige Grey-beige	86		
(5)	944 521 037 87	Cover for cushion Electrically adjustable with heating Leatherette/leather Centre part in cloth Porsche lettering cloth		2	
	944 521 037 87 PZ7	Black/black Black			

Model: STZ Model life 1985>>1998

Pos	Part Number	Description	Remark	Qty	Model
	944 521 037 87 PZ8	Brown/brown Brown			
	944 521 037 87 PZ9	Blue/blue Blue			
	944 521 037 87 QA1	Burgundy/burgundy Burgundy			
	944 521 037 87 QA2	Greyish green/grey-green Greyish green			
	944 521 037 87 RU2	Grey-beige/grey-beige Grey-beige	86		
5	944 521 037 78	Cover for cushion for manual adjustment Leather/ Centre part in cloth Pin stripe velour	/LL /R /RL /L	2	CARRERA
	944 521 037 78 LS5	Black/ Black-white			
	944 521 037 78 LS6	Brown Brown-beige			
	944 521 037 78 LS8	Blue/ Blue-white			
	944 521 037 78 LS9	Burgundy/ Burgundy-white			
	944 521 037 78 QA7	Greyish green Greyish green-white			
	944 521 037 78 LS7	Grey-beige/ Grey-beige-white	86		
(5)	944 521 037 82	Cover for cushion for electric adjustment without heating Leather/ Centre part in cloth Pin stripe velour	/LL /L /LL /R	2	TURBO CARRERA M438
	944 521 037 82 LS5	Black/ Black-white			
	944 521 037 82 LS6	Brown Brown-beige			
	944 521 037 82 LS8	Blue/ Blue-white			
	944 521 037 82 LS9	Burgundy/ Burgundy-white			
	944 521 037 82 QA7	Greyish green Greyish green-white			
	944 521 037 82 LS7	Grey-beige/ Grey-beige-white	86		
(5)	944 521 037 91	Cover for cushion for electric adjustment with heating Leather/ Centre part in cloth Pin stripe velour		2	
	944 521 037 91 LS5	Black/ Black-white			
	944 521 037 91 LS6	Brown/ Brown-beige			
	944 521 037 91 LS8	Blue/ Blue-white			
	944 521 037 91 LS9	Burgundy/ Burgundy-white			
	944 521 037 91 QA7	Greyish green/ Greyish green-white			
	944 521 037 91 LS7	Grey-beige/ Grey-beige-white	86		



Model: STZ Model life 1985>>1998

Pos	Part Number	Description	Remark	Qty	Model
5	944 521 037 78	Cover for cushion for manual adjustment Leather/ Centre part in cloth Pin stripe flannel	/LL /R /RL /L	2	CARRERA
	944 521 037 78 QB1	Black/anthracite			
	944 521 037 78 QB3	Brown/brown			
	944 521 037 78 QB5	Blue/blue			
	944 521 037 78 QB7	Burgundy/burgundy			
	944 521 037 78 QA8	Greyish green/grey-green			
(5)	944 521 037 82	Cover for cushion for electric adjustment without heating Leather/ Centre part in cloth Pin stripe flannel	/LL /L /LL /R	2	TURBO CARRERA M438
	944 521 037 82 QB1	Black/anthracite			
	944 521 037 82 QB3	Brown/brown			
	944 521 037 82 QB5	Blue/blue			
	944 521 037 82 QB7	Burgundy/burgundy			
	944 521 037 82 QA8	Greyish green/grey-green			
(5)	944 521 037 91	Cover for cushion for electric adjustment with heating Leather/ Centre part in cloth Pin stripe flannel		2	
	944 521 037 91 QB1	Black/anthracite			
	944 521 037 91 QB3	Brown/brown			
	944 521 037 91 QB5	Blue/blue			
	944 521 037 91 QB7	Burgundy/burgundy			
	944 521 037 91 QA8	Greyish green/grey-green			
5	944 521 037 78	Cover for cushion for manual adjustment Leather/ Centre part in cloth Porsche lettering cloth	/LL /R /RL /L	2	CARRERA
	944 521 037 78 QB2	Black/black			
	944 521 037 78 QB4	Brown/brown			
	944 521 037 78 QB6	Blue/blue			
	944 521 037 78 QB8	Burgundy/burgundy			
	944 521 037 78 QA9	Greyish green/grey-green			
	944 521 037 78 RU1	Grey-beige/grey-beige	86		
(5)	944 521 037 82	Cover for cushion for electric adjustment without heating Leather/ Centre part in cloth Porsche lettering cloth	/LL /L /LL /R	2	TURBO CARRERA M438
	944 521 037 82 QB2	Black/black			
	944 521 037 82 QB4	Brown/brown			
	944 521 037 82 QB6	Blue/blue			
	944 521 037 82 QB8	Burgundy/burgundy			
	944 521 037 82 QA9	Greyish green/grey-green			
	944 521 037 82 RU1	Grey-beige/grey-beige	86		
(5)	944 521 037 91	Cover for cushion for electric adjustment with heating Leather/ Centre part in cloth Porsche lettering cloth		2	
	944 521 037 91 QB2	Black/black			
	944 521 037 91 QB4	Brown/brown			

Model: STZ Model life 1985>>1998

Pos	Part Number	Description	Remark	Qty	Model
6	944 521 037 91 QB6	Blue/blue		2	CARRERA
	944 521 037 91 QB8	Burgundy/burgundy			
	944 521 037 91 QA9	Greyish green/grey-green			
	944 521 037 91 RU1	Grey-beige/grey-beige	86		
	944 521 037 76	Cover for cushion for manual adjustment Leatherette/ Seat surface Leather	/LL /R /RL /L		
	944 521 037 76 JN3	Black/black			
	944 521 037 76 JN4	Brown/brown			
	944 521 037 76 QC1	Blue/blue			
	944 521 037 76 NZ8	Burgundy/burgundy			
	944 521 037 76 PX9	Greyish green/grey-green			
(6)	944 521 037 76 JN5	Grey-beige	86	2	TURBO CARRERA M438
	944 521 037 80	Cover for cushion for electric adjustment without heating Leatherette/ Seat surface Leather	/LL /L /LL /R		
	944 521 037 80 JN3	Black/black			
	944 521 037 80 JN4	Brown/brown			
	944 521 037 80 QC1	Blue/blue			
	944 521 037 80 NZ8	Burgundy/burgundy			
	944 521 037 80 PX9	Greyish green/grey-green			
	944 521 037 80 JN5	Grey-beige	86		
	944 521 037 88	Cover for cushion for electric adjustment with heating Leatherette/ Seat surface Leather			
	944 521 037 88 JN3	Black/black			
6	944 521 037 88 JN4	Brown/brown		2	CARRERA
	944 521 037 88 QC1	Blue/blue			
	944 521 037 88 NZ8	Burgundy/burgundy			
	944 521 037 88 PX9	Greyish green/grey-green			
	944 521 037 88 JN5	Grey-beige	86		
	944 521 037 77	Cover for cushion for manual adjustment Whole-leather	/LL /R /RL /L		
	944 521 037 77 KZ2	Black			
	944 521 037 77 KZ5	Brown			
	944 521 037 77 KZ3	Blue			
	944 521 037 77 LG7	Burgundy			
(6)	944 521 037 77 QC2	Greyish green		2	TURBO CARRERA M438
	944 521 037 77 KZ6	Can-can-red			
	944 521 037 77 LG4	Pearl white			
	944 521 037 77 LG5	Champagne			
	944 521 037 77 LG6	Dark green			
	944 521 037 77 PY9	Ocean blue			
	944 521 037 77 PZ1	Wild buffalo			
	944 521 037 77 KZ4	Grey-beige	86-		
	944 521 037 81	Cover for cushion for electric adjustment without heating Whole-leather	/LL /L /LL /R		
	944 521 037 81 KZ2	Black			
944 521 037 81 KZ5	Brown				
944 521 037 81 KZ3	Blue				
944 521 037 81 LG7	Burgundy				
944 521 037 81 QC2	Greyish green				

Model: STZ Model life 1985>>1998

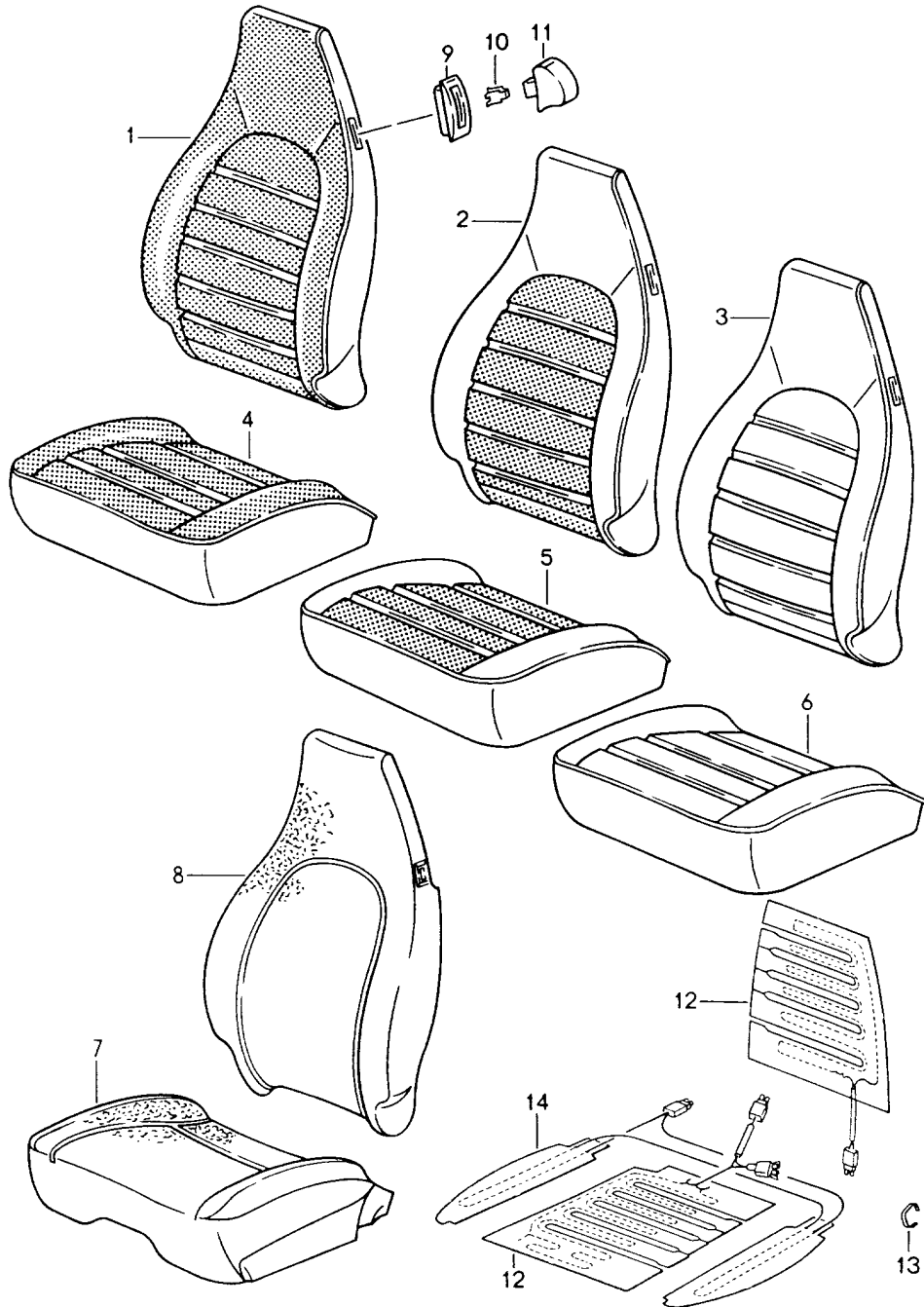
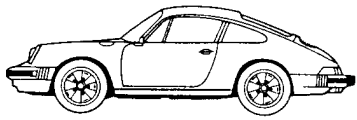
Pos	Part Number	Description	Remark	Qty	Model
	944 521 037 81 KZ6	Can-can-red			
	944 521 037 81 LG4	Pearl white			
	944 521 037 81 LG5	Champagne			
	944 521 037 81 LG6	Dark green			
	944 521 037 81 PY9	Ocean blue			
	944 521 037 81 PZ1	Wild buffalo			
	944 521 037 81 KZ4	Grey-beige	86-		
(6)	944 521 037 90	Cover for cushion for electric adjustment with heating Whole-leather		2	
	944 521 037 90 KZ2	Black			
	944 521 037 90 KZ5	Brown			
	944 521 037 90 KZ3	Blue			
	944 521 037 90 LG7	Burgundy			
	944 521 037 90 QC2	Greyish green			
	944 521 037 90 KZ6	Can-can-red			
	944 521 037 90 LG4	Pearl white			
	944 521 037 90 LG5	Champagne			
	944 521 037 90 LG6	Dark green			
	944 521 037 90 PY9	Ocean blue			
	944 521 037 90 PZ1	Wild buffalo			
	944 521 037 90 KZ4	Grey-beige	86-		
-	000 043 071 00	Clamp Mount Cover Bag Content 50 Pieces		X	
7	928 521 385 22	Foam part Seat cushion for manual adjustment	/LL /R /RL /L	1	CARRERA
(7)	928 521 385 23	Foam part Seat cushion for electric adjustment	/L /LL /L	1	TURBO CARRERA
(7)	928 521 386 23	Foam part Seat cushion for electric adjustment	/R /RL /R /LL /R	1	TURBO CARRERA M438
(7)	928 521 385 24	Foam part Seat cushion for electric adjustment	/L	1	M139
(7)	928 521 386 24	Foam part Seat cushion for electric adjustment	/R	1	M340
8	928 521 393 13	Foam part Backrest frame for manual adjustment	/LL /R /RL /L	1	CARRERA
(8)	993 521 393 06	Foam part Backrest frame for electric adjustment See technical information	/LL /L /LL /R	2	TURBO CARRERA M438
(8)	6 ZYL. GR.7D NR.1/94	Foam part Backrest frame for electric adjustment See technical information	/LL /L /LL /R	2	TURBO CARRERA M438
9	911 521 815 00	Rosette		4	
	911 521 815 00 01C	Satin black			
10	311 881 247	Clip		4	
11	911 521 817 00	Control button		4	

Model: STZ Model life 1985>>1998

Pos	Part Number	Description	Remark	Qty	Model
	911 521 817 00 01C	Satin black			

Model: STZ

Model life 1985>>1998



Model: STZ Model life 1985>>1998

Pos	Part Number	Description	Remark	Qty	Model
		Cover	87-89		911 CARRERA TURBO
		Heating element			
		Front seat			
1	928 521 071 22	Backrest cover without heating	-88	2	
		Leatherette/ Backrest surface			
		Pin stripe velour	-88		
	928 521 071 22 NY5	Black/ Black-white			
	928 521 071 22 TU7	Mahogany/ Mahogany-white			
	928 521 071 22 TR7	Blue/ Blue-white			
	928 521 071 22 NY8	Burgundy/ Burgundy-white			
	928 521 071 22 QA4	Greyish green Greyish green-white			
(1)	928 521 071 63	Backrest cover with heating	-88	2	
		Leatherette/ Backrest surface			
		Pin stripe velour	-88		
	928 521 071 63 NY5	Black/ Black-white			
	928 521 071 63 TU7	Mahogany/ Mahogany-white			
	928 521 071 63 TR7	Blue/ Blue-white			
	928 521 071 63 NY8	Burgundy/ Burgundy-white			
	928 521 071 63 QA4	Greyish green Greyish green-white			
1	928 521 071 22	Backrest cover without heating	-88	2	
		Leatherette/ Backrest surface			
		Pin stripe flannel	-88		
	928 521 071 22 NY9	Black/anthracite			
	928 521 071 22 TU8	Mahogany			
	928 521 071 22 TR8	Marine blue			
	928 521 071 22 NZ5	Burgundy/burgundy			
	928 521 071 22 QA5	Greyish green/grey-green			
(1)	928 521 071 63	Backrest cover with heating	-88	2	
		Leatherette/ Backrest surface			
		Pin stripe flannel	-88		
	928 521 071 63 NY9	Black/anthracite			
	928 521 071 63 TU8	Mahogany			
	928 521 071 63 TR8	Marine blue			
	928 521 071 63 NZ5	Burgundy/burgundy			
	928 521 071 63 QA5	Greyish green/grey-green			
1	928 521 071 22	Backrest cover without heating	-88	2	
		Leatherette/ Backrest surface			
		Porsche lettering cloth	-88		
	928 521 071 22 PX2	Black/black			
	928 521 071 22 TU9	Mahogany			
	928 521 071 22 TR9	Marine blue			
	928 521 071 22 PX6	Burgundy/burgundy			
	928 521 071 22 PX8	Greyish green/grey-green			

Model: STZ Model life 1985>>1998

Pos	Part Number	Description	Remark	Qty	Model
(1)	928 521 071 63	Backrest cover with heating Leatherette/ Backrest surface Porsche lettering cloth	-88   -88	2	
	928 521 071 63 PX2	Black/black			
	928 521 071 63 TU9	Mahogany			
	928 521 071 63 TR9	Marine blue			
	928 521 071 63 PX6	Burgundy/burgundy			
	928 521 071 63 PX8	Greyish green/grey-green			
1	928 521 071 22	Backrest cover without heating Leatherette/ Backrest surface Pin stripe velour	89   89	2	
	928 521 071 22 NY5	Black/ Black-white			
	928 521 071 22 TU7	Mahogany/ Mahogany-white			
	928 521 071 22 TR7	Blue/ Blue-white			
	928 521 071 22 NY8	Burgundy/ Burgundy-white			
	928 521 071 22 XK2	Linen/ Linen white			
	928 521 071 22 XK5	Cashmere beige/ Cashmere beige-white			
(1)	964 521 071 01	Backrest cover with heating Leatherette/ Backrest surface Pin stripe velour	89   89	2	
	964 521 071 01 NY5	Black/ Black-white			
	964 521 071 01 TU7	Mahogany/ Mahogany-white			
	964 521 071 01 TR7	Blue/ Blue-white			
	964 521 071 01 NY8	Burgundy/ Burgundy-white			
	964 521 071 01 XK2	Linen/ Linen white			
	964 521 071 01 XK5	Cashmere beige/ Cashmere beige-white			
1	928 521 071 22	Backrest cover without heating Leatherette/ Backrest surface Multicolour	89   89	2	
	928 521 071 22 XK8	Black/black			
	928 521 071 22 XK9	Mahogany/mahogany			
	928 521 071 22 XN1	Marine blue/blue			
	928 521 071 22 XN2	Burgundy/burgundy			
	928 521 071 22 XK4	Linen/linen			
	928 521 071 22 XK7	Cashmere beige/cash. beige			
(1)	964 521 071 01	Backrest cover with heating Leatherette/ Backrest surface Multicolour	89   89	2	
	964 521 071 01 XK8	Black/black			
	964 521 071 01 XK9	Mahogany/mahogany			
	964 521 071 01 XN1	Marine blue/marine blue			

Model: STZ Model life 1985>>1998

Pos	Part Number	Description	Remark	Qty	Model	
1	964 521 071 01 XN2	Burgundy/burgundy				
	964 521 071 01 XK4	Linen/linen				
	964 521 071 01 XK7	Cashmere beige/cash. beige				
	928 521 071 22	Backrest cover without heating	89	2		
		Leatherette/ Backrest surface				
		Porsche lettering cloth	89			
	928 521 071 22 PX2	Black/black				
	928 521 071 22 TU9	Mahogany				
	928 521 071 22 TR9	Marine blue				
	928 521 071 22 PX6	Burgundy/burgundy				
(1)	928 521 071 22 XK3	Linen/linen				
	928 521 071 22 XK6	Cashmere beige/cash. beige				
	964 521 071 01	Backrest cover with heating	89	2		
		Leatherette/ Backrest surface				
		Porsche lettering cloth	89			
	964 521 071 01 PX2	Black/black				
	964 521 071 01 TU9	Mahogany/mahogany				
	964 521 071 01 TR9	Marine blue/marine blue				
	964 521 071 01 PX6	Burgundy/burgundy				
	964 521 071 01 XK3	Linen/linen				
2	964 521 071 01 XK6	Linen/linen				
	928 521 071 50	Backrest cover without heating	-88	2		
		Leatherette/leather Centre part in cloth				
		Pin stripe velour	-88			
	928 521 071 50 PY1	Black/black Black-white				
	928 521 071 50 TU4	Mahogany/mahogany Mahogany-white				
	928 521 071 50 TR4	Marine blue/marine blue Blue-white				
	928 521 071 50 PY4	Burgundy/burgundy Burgundy-white				
	928 521 071 50 PY5	Greyish green Greyish green-white				
	(2)	928 521 071 52	Backrest cover with heating	-88	2	
		Leatherette/leather Centre part in cloth				
		Pin stripe velour	-88			
928 521 071 52 PY1		Black/ Black-white				
928 521 071 52 TU4		Mahogany/ Mahogany-white				
928 521 071 52 TR4		Blue/ Blue-white				
928 521 071 52 PY4		Burgundy/ Burgundy-white				
928 521 071 52 PY5		Greyish green Greyish green-white				
2		928 521 071 50	Backrest cover without heating	-88	2	
			Leatherette/leather Centre part in cloth			
		Pin stripe flannel	-88			
	928 521 071 50 PZ2	Black/anthracite Anthracite				
	928 521 071 50 TU5	Mahogany				



Model: STZ Model life 1985>>1998

Pos	Part Number	Description	Remark	Qty	Model
	928 521 071 50 TR5	Mahogany Marine blue			
	928 521 071 50 PZ5	Blue Burgundy/burgundy			
	928 521 071 50 PZ6	Burgundy Greyish green/grey-green			
(2)	928 521 071 52	Greyish green Backrest cover with heating Leatherette/leather	-88	2	
	928 521 071 52 PZ2	Centre part in cloth Pin stripe flannel Black/anthracite	-88		
	928 521 071 52 TU5	Anthracite Mahogany			
	928 521 071 52 TR5	Mahogany Marine blue			
	928 521 071 52 PZ5	Blue Burgundy/burgundy			
	928 521 071 52 PZ6	Burgundy Greyish green/grey-green			
2	928 521 071 50	Greyish green Backrest cover without heating Leatherette/leather	-88	2	
	928 521 071 50 PZ7	Centre part Porsche lettering cloth Black/black	-88		
	928 521 071 50 TU6	Black Mahogany			
	928 521 071 50 TR6	Mahogany Marine blue/marine blue			
	928 521 071 50 QA1	Blue Burgundy/burgundy			
	928 521 071 50 QA2	Burgundy Greyish green/grey-green			
(2)	928 521 071 52	Greyish green Backrest cover with heating Leatherette/leather	-88	2	
	928 521 071 52 PZ7	Centre part Porsche lettering cloth Black/black	-88		
	928 521 071 52 TU6	Black Mahogany			
	928 521 071 52 TR6	Mahogany Marine blue			
	928 521 071 52 QA1	Blue Burgundy/burgundy			
	928 521 071 52 QA2	Burgundy Greyish green/grey-green			
2	928 521 071 50	Greyish green Backrest cover without heating Leatherette/leather	89	2	
	928 521 071 50 PY1	Centre part in cloth Pin stripe velour Black/black	89		
	928 521 071 50 TU4	Black-white Mahogany/mahogany			
	928 521 071 50 TR4	Mahogany-white Marine blue/marine blue			
		Blue-white			

Model: STZ Model life 1985>>1998

Pos	Part Number	Description	Remark	Qty	Model
	928 521 071 50 PY4	Burgundy/burgundy			
		Burgundy-white			
	928 521 071 50 XH2	Linen/linen			
		Linen white			
	928 521 071 50 XH7	Cashmere beige/cash. beige			
		Cashmere beige-white			
(2)	964 521 071 02	Backrest cover	89	2	
		with heating			
		Leatherette/leather			
		Centre part in cloth			
		Pin stripe velour	89		
	964 521 071 02 PY1	Black/black			
		Black-white			
	964 521 071 02 TU4	Mahogany/mahogany			
		Mahogany-white			
	964 521 071 02 TR4	Blue/			
		Blue-white			
	964 521 071 02 PY4	Burgundy/burgundy			
		Burgundy-white			
	964 521 071 02 XH2	Linen/linen			
		Linen white			
	964 521 071 02 XH7	Cashmere beige/cash. beige			
		Cashmere beige-white			
2	928 521 071 50	Backrest cover	89	2	
		without heating			
		Leatherette/leather			
		Centre part in cloth			
		Multicolour	89		
	928 521 071 50 XJ2	Black/black			
		Black			
	928 521 071 50 XJ3	Mahogany/mahogany			
		Mahogany			
	928 521 071 50 XJ5	Marine blue/blue			
		Marine blue			
	928 521 071 50 XJ7	Burgundy/burgundy			
		Burgundy			
	928 521 071 50 XH6	Linen/linen			
		Linen			
	928 521 071 50 XH9	Cashmere beige/cash. beige			
		Cashmere beige			
(2)	964 521 071 02	Backrest cover	89	2	
		with heating			
		Leatherette/leather			
		Centre part in cloth			
		Multicolour	89		
	964 521 071 02 XJ2	Black/black			
		Black			
	964 521 071 02 XJ3	Mahogany/mahogany			
		Mahogany			
	964 521 071 02 XJ5	Marine blue/blue			
		Marine blue			
	964 521 071 02 XJ7	Burgundy/burgundy			
		Burgundy			
	964 521 071 02 XH6	Linen/linen			
		Linen			
	964 521 071 02 XH9	Cashmere beige/cash. beige			
		Cashmere beige			
2	928 521 071 50	Backrest cover	89	2	
		without heating			
		Leatherette/leather			
		Centre part			
		Porsche lettering cloth	89		
	928 521 071 50 PZ7	Black/black			

Model: STZ Model life 1985>>1998

Pos	Part Number	Description	Remark	Qty	Model
	928 521 071 50 TU6	Black Mahogany			
	928 521 071 50 TR6	Mahogany Marine blue/marine blue			
	928 521 071 50 QA1	Blue Burgundy/burgundy			
	928 521 071 50 XH4	Burgundy Linen/linen			
	928 521 071 50 XH8	Linen Cashmere beige/cash. beige			
(2)	964 521 071 02	Cashmere beige Backrest cover with heating Leatherette/leather Centre part Porsche lettering cloth	89	2	
	964 521 071 02 PZ7	Black/black Black	89		
	964 521 071 02 TU6	Mahogany/mahogany Mahogany			
	964 521 071 02 TR6	Marine blue/blue Blue			
	964 521 071 02 QA1	Burgundy/burgundy Burgundy			
	964 521 071 02 XH4	Linen/linen Linen			
	964 521 071 02 XH8	Cashmere beige/cash. beige Cashmere beige			
2	928 521 071 66	Backrest cover without heating Leather/ Centre part in cloth Pin stripe velour	-88	2	
	928 521 071 66 LS5	Black/ Black-white	-88		
	928 521 071 66 TU1	Mahogany/ Mahogany-white			
	928 521 071 66 TR1	Blue/ Blue-white			
	928 521 071 66 LS9	Burgundy/ Burgundy-white			
	928 521 071 66 QA7	Greyish green Greyish green-white			
(2)	928 521 071 67	Backrest cover with heating Leather/ Centre part in cloth Pin stripe velour	-88	2	
	928 521 071 67 LS5	Black/ Black-white	-88		
	928 521 071 67 TU1	Mahogany Mahogany-white			
	928 521 071 67 TR1	Marine blue Blue-white			
	928 521 071 67 LS9	Burgundy/ Burgundy-white			
	928 521 071 67 QA7	Greyish green Greyish green-white			
2	928 521 071 66	Backrest cover without heating Leather/ Centre part in cloth Pin stripe flannel	-88	2	

Model: STZ Model life 1985>>1998

Pos	Part Number	Description	Remark	Qty	Model
	928 521 071 66 QB1	Black/anthracite			
	928 521 071 66 TU2	Mahogany			
	928 521 071 66 TR2	Marine blue			
	928 521 071 66 QB7	Burgundy/burgundy			
	928 521 071 66 QA8	Greyish green/grey-green			
(2)	928 521 071 67	Backrest cover with heating Leather/ Centre part in cloth Pin stripe flannel	-88	2	
	928 521 071 67 QB1	Black/anthracite			
	928 521 071 67 TU2	Mahogany			
	928 521 071 67 TR2	Marine blue			
	928 521 071 67 QB7	Burgundy/burgundy			
	928 521 071 67 QA8	Greyish green/grey-green			
2	928 521 071 66	Backrest cover without heating Leather/ Centre part Porsche lettering cloth	-88	2	
	928 521 071 66 QB2	Black/black			
	928 521 071 66 TU3	Mahogany			
	928 521 071 66 TR3	Marine blue			
	928 521 071 66 QB8	Burgundy/burgundy			
	928 521 071 66 QA9	Greyish green/grey-green			
(2)	928 521 071 67	Backrest cover with heating Leather/ Centre part Porsche lettering cloth	-88	2	
	928 521 071 67 QB2	Black/black			
	928 521 071 67 TU3	Mahogany			
	928 521 071 67 TR3	Marine blue			
	928 521 071 67 QB8	Burgundy/burgundy			
	928 521 071 67 QA9	Greyish green/grey-green			
2	928 521 071 66	Backrest cover without heating Leather/ Centre part in cloth Pin stripe velour	89	2	
	928 521 071 66 LS5	Black/ Black-white			
	928 521 071 66 TU1	Mahogany/ Mahogany-white			
	928 521 071 66 TR1	Blue/ Blue-white			
	928 521 071 66 LS9	Burgundy/ Burgundy-white			
	928 521 071 66 XF5	Linen/ Linen white			
	928 521 071 66 XF8	Cashmere beige/ Cashmere beige-white			
(2)	964 521 071 05	Backrest cover with heating Leather/ Centre part in cloth Pin stripe velour	89	2	
	964 521 071 05 LS5	Black/ Black-white			
	964 521 071 05 TU1	Mahogany/ Mahogany-white			
	964 521 071 05 TR1	Blue/ Blue-white			

Model: STZ Model life 1985>>1998

Pos	Part Number	Description	Remark	Qty	Model
	964 521 071 05 LS9	Burgundy/ Burgundy-white			
	964 521 071 05 XF5	Linen/ Linen white			
	964 521 071 05 XF8	Cashmere beige/ Cashmere beige-white			
2	928 521 071 66	Backrest cover without heating Leather/ Centre part in cloth Multicolour	89   89	2	
	928 521 071 66 XG6	Black/black			
	928 521 071 66 XG7	Mahogany/mahogany			
	928 521 071 66 XG8	Marine blue/blue			
	928 521 071 66 XG9	Burgundy/burgundy			
	928 521 071 66 XF7	Linen/linen			
(2)	928 521 071 66 XG5	Cashmere beige/cash. beige			
	964 521 071 05	Backrest cover with heating Leather/ Centre part in cloth Multicolour	89   89	2	
	964 521 071 05 XG6	Black/black			
	964 521 071 05 XG7	Mahogany/mahogany			
	964 521 071 05 XG8	Marine blue/blue			
	964 521 071 05 XG9	Burgundy/burgundy			
	964 521 071 05 XF7	Linen/linen			
2	964 521 071 05 XG5	Cashmere beige/cash. beige			
	928 521 071 66	Backrest cover without heating Leather/ Centre part Porsche lettering cloth	89   89	2	
	928 521 071 66 QB2	Black/black			
	928 521 071 66 TU3	Mahogany			
	928 521 071 66 TR3	Marine blue			
	928 521 071 66 QB8	Burgundy/burgundy			
	928 521 071 66 XF6	Linen/linen			
(2)	928 521 071 66 XF9	Cashmere beige/cash. beige			
	964 521 071 05	Backrest cover with heating Leather/ Centre part Porsche lettering cloth	89   89	2	
	964 521 071 05 QB2	Black/black			
	964 521 071 05 TU3	Mahogany/mahogany			
	964 521 071 05 TR3	Marine blue/blue			
	964 521 071 05 QB8	Burgundy/burgundy			
	964 521 071 05 XF6	Linen/linen			
	964 521 071 05 XF9	Cashmere beige/cash. beige			
3	928 521 071 51	Backrest cover without heating Leatherette/ Backrest surface Leather	-88   -88	2	
	928 521 071 51 JN3	Black			
	928 521 071 51 TV2	Mahogany			
	928 521 071 51 TS2	Marine blue			
	928 521 071 51 NZ8	Burgundy			
	928 521 071 51 PX9	Greyish green			
	928 521 071 51 TW2	Linen			
(3)	928 521 071 62	Backrest cover with heating	-88	2	

Model: STZ Model life 1985>>1998

Pos	Part Number	Description	Remark	Qty	Model
		Leatherette/ Backrest surface Leather	-88		
	928 521 071 62 JN3	Black			
	928 521 071 62 TV2	Mahogany			
	928 521 071 62 TS2	Marine blue			
	928 521 071 62 NZ8	Burgundy			
	928 521 071 62 PX9	Greyish green			
	928 521 071 62 TW2	Linen			
3	928 521 071 51	Backrest cover without heating	89	2	
		Leatherette/ Backrest surface Leather	89		
	928 521 071 51 JN3	Black			
	928 521 071 51 TV2	Mahogany			
	928 521 071 51 TS2	Marine blue			
	928 521 071 51 NZ8	Burgundy			
	928 521 071 51 TW2	Linen			
	928 521 071 51 XN3	Cashmere beige			
(3)	964 521 071 03	Backrest cover with heating	89	2	
		Leatherette/ Backrest surface Leather	89		
	964 521 071 03 JN3	Black			
	964 521 071 03 TV2	Mahogany			
	964 521 071 03 TS2	Marine blue/marine blue			
	964 521 071 03 NZ8	Burgundy/burgundy			
	964 521 071 03 TW2	Linen/linen			
	964 521 071 03 XN3	Cashmere beige			
3	928 521 071 65	Backrest cover without heating	-88	2	
		Whole-leather	-88		
	928 521 071 65 KZ2	Black			
	928 521 071 65 TV1	Mahogany			
	928 521 071 65 TS1	Marine blue			
	928 521 071 65 LG7	Burgundy			
	928 521 071 65 QC2	Greyish green			
	928 521 071 65 XG1	Plum red			
	928 521 071 65 XG2	Silver-grey			
	928 521 071 65 LG5	Champagne			
	928 521 071 65 XG3	Caramel			
	928 521 071 65 TW1	Linen			
	928 521 071 65 XG4	Venetian blue			
(3)	928 521 071 64	Backrest cover with heating	-88	2	
		Whole-leather	-88		
	928 521 071 64 KZ2	Black			
	928 521 071 64 TV1	Mahogany			
	928 521 071 64 TS1	Marine blue			
	928 521 071 64 LG7	Burgundy			
	928 521 071 64 QC2	Greyish green			
	928 521 071 64 XG1	Plum red			
	928 521 071 64 XG2	Silver-grey			
	928 521 071 64 LG5	Champagne			
	928 521 071 64 XG3	Caramel			
	928 521 071 64 TW1	Linen			
	928 521 071 64 XG4	Venetian blue			
3	928 521 071 65	Backrest cover without heating	89	2	
		Whole-leather	89		
	928 521 071 65 KZ2	Black			

Model: STZ Model life 1985>>1998

Pos	Part Number	Description	Remark	Qty	Model
	928 521 071 65 TV1	Mahogany			
	928 521 071 65 TS1	Marine blue			
	928 521 071 65 LG7	Burgundy			
	928 521 071 65 XG3	Caramel			
	928 521 071 65 TW1	Linen			
	928 521 071 65 XG4	Venetian blue			
	928 521 071 65 XN4	Cashmere beige			
	928 521 071 65 XN5	Silk grey			
	928 521 071 65 XN6	Velvet red			
	928 521 071 65 XN7	Slate grey			
(3)	964 521 071 04	Backrest cover with heating Whole-leather	89 89	2	
	964 521 071 04 KZ2	Black			
	964 521 071 04 TV1	Mahogany			
	964 521 071 04 TS1	Marine blue			
	964 521 071 04 LG7	Burgundy			
	964 521 071 04 XG3	Caramel			
	964 521 071 04 TW1	Linen			
	964 521 071 04 XG4	Venetian blue			
	964 521 071 04 XN4	Cashmere beige			
	964 521 071 04 XN5	Silk grey			
	964 521 071 04 XN6	Velvet red			
	964 521 071 04 XN7	Slate grey			
3	928 521 071 01	Backrest cover without heating Draped leather	-88 -88	2	
	928 521 071 01 KZ2	Black			
	928 521 071 01 TV1	Mahogany			
	928 521 071 01 TS1	Marine blue			
	928 521 071 01 LG7	Burgundy			
	928 521 071 01 QC2	Greyish green			
	928 521 071 01 XG1	Plum red			
	928 521 071 01 XG2	Silver-grey			
	928 521 071 01 LG5	Champagne			
	928 521 071 01 XG3	Caramel			
	928 521 071 01 TW1	Linen			
	928 521 071 01 XG4	Venetian blue			
(3)	928 521 071 03	Backrest cover with heating Draped leather	-88 -88	2	
	928 521 071 03 KZ2	Black			
	928 521 071 03 TV1	Mahogany			
	928 521 071 03 TS1	Marine blue			
	928 521 071 03 LG7	Burgundy			
	928 521 071 03 QC2	Greyish green			
	928 521 071 03 XG1	Plum red			
	928 521 071 03 XG2	Silver-grey			
	928 521 071 03 LG5	Champagne			
	928 521 071 03 XG3	Caramel			
	928 521 071 03 TW1	Linen			
	928 521 071 03 XG4	Venetian blue			
3	928 521 071 01	Backrest cover without heating Draped leather	89 89	2	
	928 521 071 01 KZ2	Black			
	928 521 071 01 TV1	Mahogany			
	928 521 071 01 TS1	Marine blue			
	928 521 071 01 LG7	Burgundy			
	928 521 071 01 XG3	Caramel			
	928 521 071 01 TW1	Linen			
	928 521 071 01 XG4	Venetian blue			
	928 521 071 01 XN4	Cashmere beige			

Model: STZ Model life 1985>>1998

Pos	Part Number	Description	Remark	Qty	Model
(3)	928 521 071 01 XN5	Silk grey			
	928 521 071 01 XN6	Velvet red			
	928 521 071 01 XN7	Slate grey			
	964 521 071 06	Backrest cover with heating	89	2	
		Draped leather	89		
	964 521 071 06 KZ2	Black			
	964 521 071 06 TV1	Mahogany			
	964 521 071 06 TS1	Marine blue			
	964 521 071 06 LG7	Burgundy			
	964 521 071 06 XG3	Caramel			
	964 521 071 06 TW1	Linen			
	964 521 071 06 XG4	Venetian blue			
	964 521 071 06 XN4	Cashmere beige			
	964 521 071 06 XN5	Silk grey			
3	964 521 071 06 XN6	Velvet red			
	964 521 071 06 XN7	Slate grey			
3	928 521 071 01	Backrest cover without heating		2	JUBI.88
		Draped leather Special model with Model year 1988			
3	928 521 071 01 WR2	Silver-blue			
	928 521 071 01	Backrest cover without heating		2	M098
(3)		Draped leather			
	928 521 071 01 SR7	Silk grey			
4	964 521 071 06	Backrest cover with heating		2	M099
		Draped leather			
4	964 521 071 06 SS1	Blue metallic			
	944 521 037 11	Cover for cushion for manual adjustment	/LL /R -88 /RL /L	1	M637
4		Leatherette/ Seat surface			
	944 521 037 11 NY5	Pin stripe velour	-88		
		Black/ Black-white			
	944 521 037 11 TU7	Mahogany/ Mahogany-white			
	944 521 037 11 TR7	Blue/ Blue-white			
	944 521 037 11 NY8	Burgundy/ Burgundy-white			
	944 521 037 11 QA4	Greyish green Greyish green-white			
	944 521 037 11	Cover for cushion for manual adjustment	/LL /R -88 /RL /L	1	
		Leatherette/ Seat surface			
		Pin stripe velour	-88		
4	944 521 037 11 NY5	Black/ Black-white			
	944 521 037 11 TU7	Mahogany/ Mahogany-white			
	944 521 037 11 TR7	Blue/ Blue-white			
	944 521 037 11 NY8	Burgundy/ Burgundy-white			
	944 521 037 11 QA4	Greyish green Greyish green-white			



Model: STZ Model life 1985>>1998

Pos	Part Number	Description	Remark	Qty	Model
(4)	944 521 037 14	Cover for cushion for electric adjustment without heating Leatherette/ Seat surface Pin stripe velour	-88	2	
	944 521 037 14 NY5	Black/ Black-white	-88		
	944 521 037 14 TU7	Mahogany Mahogany-white			
	944 521 037 14 TR7	Marine blue Blue-white			
	944 521 037 14 NY8	Burgundy/ Burgundy-white			
	944 521 037 14 QA4	Greyish green Greyish green-white			
(4)	944 521 037 89	Cover for cushion for electric adjustment with heating Leatherette/ Seat surface Pin stripe velour	-88	2	
	944 521 037 89 NY5	Black/ Black-white	-88		
	944 521 037 89 TU7	Mahogany/ Mahogany-white			
	944 521 037 89 TR7	Blue/ Blue-white			
	944 521 037 89 NY8	Burgundy/ Burgundy-white			
	944 521 037 89 QA4	Greyish green/ Greyish green-white			
4	944 521 037 11	Cover for cushion for manual adjustment Leatherette/ Seat surface Pin stripe flannel	/LL /R -88 /RL /L -88	1	M637
	944 521 037 11 NY9	Black/anthracite			
	944 521 037 11 TU8	Mahogany			
	944 521 037 11 TR8	Marine blue			
	944 521 037 11 NZ5	Burgundy/burgundy			
	944 521 037 11 QA5	Greyish green/grey-green			
4	944 521 037 11	Cover for cushion for manual adjustment Leatherette/ Seat surface Pin stripe flannel	/LL /R -88 /RL /L -88	1	
	944 521 037 11 NY9	Black/anthracite			
	944 521 037 11 TU8	Mahogany			
	944 521 037 11 TR8	Marine blue			
	944 521 037 11 NZ5	Burgundy/burgundy			
	944 521 037 11 QA5	Greyish green/grey-green			
(4)	944 521 037 14	Cover for cushion for electric adjustment without heating Leatherette/ Seat surface Pin stripe flannel	-88	2	
	944 521 037 14 NY9	Black/anthracite	-88		
	944 521 037 14 TU8	Mahogany			
	944 521 037 14 TR8	Marine blue			
	944 521 037 14 NZ5	Burgundy/burgundy			
	944 521 037 14 QA5	Greyish green/grey-green			

Model: STZ Model life 1985>>1998

Pos	Part Number	Description	Remark	Qty	Model
(4)	944 521 037 89	Cover for cushion for electric adjustment with heating Leatherette/ Seat surface Pin stripe flannel	-88	2	
	944 521 037 89 NY9	Black/anthracite	-88		
	944 521 037 89 TU8	Mahogany/mahogany			
	944 521 037 89 TR8	Marine blue/blue			
	944 521 037 89 NZ5	Burgundy/burgundy			
	944 521 037 89 QA5	Greyish green/grey-green			
4	944 521 037 11	Cover for cushion for manual adjustment Leatherette/ Seat surface Porsche lettering cloth	/LL /R -88 /RL /L -88	1	M637
	944 521 037 11 PX2	Black/black			
	944 521 037 11 TU9	Mahogany			
	944 521 037 11 TR9	Marine blue			
	944 521 037 11 PX6	Burgundy/burgundy			
	944 521 037 11 PX8	Greyish green/grey-green			
4	944 521 037 11	Cover for cushion for manual adjustment Leatherette/ Seat surface Porsche lettering cloth	/LL /R -88 /RL /L -88	1	
	944 521 037 11 PX2	Black/black			
	944 521 037 11 TU9	Mahogany			
	944 521 037 11 TR9	Marine blue			
	944 521 037 11 PX6	Burgundy/burgundy			
	944 521 037 11 PX8	Greyish green/grey-green			
(4)	944 521 037 14	Cover for cushion for electric adjustment without heating Leatherette/ Seat surface Porsche lettering cloth	-88	2	
	944 521 037 14 PX2	Black/black	-88		
	944 521 037 14 TU9	Mahogany			
	944 521 037 14 TR9	Marine blue			
	944 521 037 14 PX6	Burgundy/burgundy			
	944 521 037 14 PX8	Greyish green/grey-green			
(4)	944 521 037 89	Cover for cushion for electric adjustment with heating Leatherette/ Seat surface Porsche lettering cloth	-88	2	
	944 521 037 89 PX2	Black/black	-88		
	944 521 037 89 TU9	Mahogany/mahogany			
	944 521 037 89 TR9	Marine blue/blue			
	944 521 037 89 PX6	Burgundy/burgundy			
	944 521 037 89 PX8	Greyish green/grey-green			
4	944 521 037 11	Cover for cushion for manual adjustment Leatherette/ Seat surface Pin stripe velour	/LL /R 89 /RL /L 89	1	M637
	944 521 037 11 NY5	Black/ Black-white			
	944 521 037 11 TU7	Mahogany/ Mahogany-white			
	944 521 037 11 TR7	Blue/			

Model: STZ Model life 1985>>1998

Pos	Part Number	Description	Remark	Qty	Model
4	944 521 037 11 NY8	Blue-white Burgundy/ Burgundy-white		1	
	944 521 037 11 XK2	Linen/ Linen white			
	944 521 037 11 XK5	Cashmere beige/ Cover for cushion	/LL /R 89		
	944 521 037 11	for manual adjustment Leatherette/ Seat surface	/RL /L		
		Pin stripe velour	89		
	944 521 037 11 NY5	Black/ Black-white			
	944 521 037 11 TU7	Mahogany/ Mahogany-white			
	944 521 037 11 TR7	Blue/ Blue-white			
	944 521 037 11 NY8	Burgundy/ Burgundy-white			
	944 521 037 11 XK2	Linen/ Linen white			
(4)	944 521 037 11 XK5	Cashmere beige/ Cover for cushion	89	2	
	944 521 037 14	for electric adjustment without heating Leatherette/ Seat surface			
		Pin stripe velour	89		
	944 521 037 14 NY5	Black/ Black-white			
	944 521 037 14 TU7	Mahogany Mahogany-white			
	944 521 037 14 TR7	Marine blue Blue-white			
	944 521 037 14 NY8	Burgundy/ Burgundy-white			
	944 521 037 14 XK2	Linen/ Linen white			
	944 521 037 14 XK5	Cashmere beige/ Cover for cushion	89		
	964 521 037 01	for electric adjustment with heating Leatherette/ Seat surface			
	Pin stripe velour	89			
4	964 521 037 01 NY5	Black/ Black-white		1	M637
	964 521 037 01 TU7	Mahogany/ Mahogany-white			
	964 521 037 01 TR7	Blue/ Blue-white			
	964 521 037 01 NY8	Burgundy/ Burgundy-white			
	964 521 037 01 XK2	Linen/ Linen white			
	964 521 037 01 XK5	Cashmere beige/ Cover for cushion	/LL /R 89		
	944 521 037 11	for manual adjustment Leatherette/ Seat surface	/RL /L		
		Multicolour	89		
	944 521 037 11 XK8	Black/black			
	944 521 037 11 XK9	Mahogany/mahogany			

Model: STZ Model life 1985>>1998

Pos	Part Number	Description	Remark	Qty	Model
4	944 521 037 11 XN1	Marine blue/blue		1	
	944 521 037 11 XN2	Burgundy/burgundy			
	944 521 037 11 XK4	Linen/linen			
	944 521 037 11 XK7	Cashmere beige/cash. beige			
	944 521 037 11	Cover for cushion for manual adjustment	/LL /R 89 /RL /L		
		Leatherette/ Seat surface			
		Multicolour	89		
	944 521 037 11 XK8	Black/black			
	944 521 037 11 XK9	Mahogany/mahogany			
	944 521 037 11 XN1	Marine blue/blue			
(4)	944 521 037 11 XN2	Burgundy/burgundy		2	
	944 521 037 11 XK4	Linen/linen			
	944 521 037 11 XK7	Cashmere beige/cash. beige			
	944 521 037 14	Cover for cushion for electric adjustment without heating	89		
		Leatherette/ Seat surface			
		Multicolour	89		
	944 521 037 14 XK8	Black/black			
	944 521 037 14 XK9	Mahogany/mahogany			
	944 521 037 14 XN1	Marine blue/blue			
	944 521 037 14 XN2	Burgundy/burgundy			
(4)	944 521 037 14 XK4	Linen/linen		2	
	944 521 037 14 XK7	Cashmere beige/cash. beige			
	964 521 037 01	Cover for cushion for electric adjustment with heating	89		
		Leatherette/ Seat surface			
		Multicolour	89		
	964 521 037 01 XK8	Black/black			
	964 521 037 01 XK9	Mahogany/mahogany			
	964 521 037 01 XN1	Marine blue/marine blue			
	964 521 037 01 XN2	Burgundy/burgundy			
	964 521 037 01 XK4	Linen/linen			
4	964 521 037 01 XK7	Cashmere beige/cash. beige		1	M637
	944 521 037 11	Cover for cushion for manual adjustment	/LL /R 89 /RL /L		
		Leatherette/ Seat surface			
		Porsche lettering cloth	89		
	944 521 037 11 PX2	Black/black			
	944 521 037 11 TU9	Mahogany			
	944 521 037 11 TR9	Marine blue			
	944 521 037 11 PX6	Burgundy/burgundy			
	944 521 037 11 XK3	Linen/linen			
	944 521 037 11 XK6	Cashmere beige/cash. beige			
4	944 521 037 11	Cover for cushion for manual adjustment	/LL /R 89 /RL /L	1	
		Leatherette/ Seat surface			
		Porsche lettering cloth	89		
	944 521 037 11 PX2	Black/black			
	944 521 037 11 TU9	Mahogany			
	944 521 037 11 TR9	Marine blue			
	944 521 037 11 PX6	Burgundy/burgundy			
	944 521 037 11 XK3	Linen/linen			
	944 521 037 11 XK6	Cashmere beige/cash. beige			
	(4)	944 521 037 14	Cover for cushion for electric adjustment		

Model: STZ Model life 1985>>1998

Pos	Part Number	Description	Remark	Qty	Model
		without heating Leatherette/ Seat surface Porsche lettering cloth	89		
	944 521 037 14 PX2	Black/black			
	944 521 037 14 TU9	Mahogany			
	944 521 037 14 TR9	Marine blue			
	944 521 037 14 PX6	Burgundy/burgundy			
	944 521 037 14 XK3	Linen/linen			
	944 521 037 14 XK6	Cashmere beige/cash. beige			
(4)	964 521 037 01	Cover for cushion for electric adjustment with heating Leatherette/ Seat surface Porsche lettering cloth	89	2	
	964 521 037 01 PX2	Black/black			
	964 521 037 01 TU9	Mahogany/mahogany			
	964 521 037 01 TR9	Marine blue/blue			
	964 521 037 01 PX6	Burgundy/burgundy			
	964 521 037 01 XK3	Linen/linen			
	964 521 037 01 XK6	Cashmere beige/cash. beige			
5	944 521 037 75	Cover for cushion for manual adjustment Leatherette/leather Centre part in cloth Pin stripe velour	/LL /R -88 /RL /L  -88	1	
	944 521 037 75 PY1	Black/black Black-white			
	944 521 037 75 TU4	Mahogany Mahogany-white			
	944 521 037 75 TR4	Marine blue/marine blue Blue-white			
	944 521 037 75 PY4	Burgundy/burgundy Burgundy-white			
	944 521 037 75 PY5	Greyish green Greyish green-white			
(5)	944 521 037 79	Cover for cushion for electric adjustment without heating Leatherette/leather Centre part in cloth Pin stripe velour	-88  -88	2	
	944 521 037 79 PY1	Black/black Black-white			
	944 521 037 79 TU4	Mahogany/mahogany Mahogany-white			
	944 521 037 79 TR4	Marine blue/marine blue Blue-white			
	944 521 037 79 PY4	Burgundy/burgundy Burgundy-white			
	944 521 037 79 PY5	Greyish green Greyish green-white			
(5)	944 521 037 87	Cover for cushion for electric adjustment with heating Leatherette/leather Centre part in cloth Pin stripe velour	-88  -88	2	
	944 521 037 87 PY1	Black/black Black-white			
	944 521 037 87 TU4	Mahogany/mahogany Mahogany-white			

Model: STZ Model life 1985>>1998

Pos	Part Number	Description	Remark	Qty	Model
	944 521 037 87 TR4	Marine blue/marine blue Blue-white			
	944 521 037 87 PY4	Burgundy/burgundy Burgundy-white			
	944 521 037 87 PY5	Greyish green/grey-green Greyish green-white			
5	944 521 037 75	Cover for cushion for manual adjustment Leatherette/leather Centre part in cloth Pin stripe flannel	/LL /R -88 /RL /L  -88	1	
	944 521 037 75 PZ2	Black/anthracite Anthracite			
	944 521 037 75 TU5	Mahogany Mahogany			
	944 521 037 75 TR5	Marine blue Blue			
	944 521 037 75 PZ5	Burgundy/burgundy Burgundy			
	944 521 037 75 PZ6	Greyish green/grey-green Greyish green			
(5)	944 521 037 79	Cover for cushion for electric adjustment without heating Leatherette/leather Centre part in cloth Pin stripe flannel	-88  -88	2	
	944 521 037 79 PZ2	Black/anthracite Anthracite			
	944 521 037 79 TU5	Mahogany Mahogany			
	944 521 037 79 TR5	Marine blue Blue			
	944 521 037 79 PZ5	Burgundy/burgundy Burgundy			
	944 521 037 79 PZ6	Greyish green/grey-green Greyish green			
(5)	944 521 037 87	Cover for cushion for electric adjustment with heating Leatherette/leather Centre part in cloth Pin stripe flannel	-88  -88	2	
	944 521 037 87 PZ2	Black/black Anthracite			
	944 521 037 87 TU5	Mahogany/mahogany Mahogany			
	944 521 037 87 TR5	Marine blue/marine blue Blue			
	944 521 037 87 PZ5	Burgundy/burgundy Burgundy			
	944 521 037 87 PZ6	Greyish green/grey-green Greyish green			
5	944 521 037 75	Cover for cushion for manual adjustment Leatherette/leather Centre part Porsche lettering cloth	/LL /R -88 /RL /L  -88	1	
	944 521 037 75 PZ7	Black/black Black			
	944 521 037 75 TU6	Mahogany Mahogany			
	944 521 037 75 TR6	Marine blue/marine blue			

Model: STZ Model life 1985>>1998

Pos	Part Number	Description	Remark	Qty	Model
	944 521 037 75 QA1	Blue Burgundy/burgundy			
	944 521 037 75 QA2	Burgundy Greyish green/grey-green			
(5)	944 521 037 79	Greyish green Cover for cushion for electric adjustment without heating Leatherette/leather Centre part	-88	2	
	944 521 037 79 PZ7	Porsche lettering cloth Black/black	-88		
	944 521 037 79 TU6	Black Mahogany			
	944 521 037 79 TR6	Mahogany Marine blue			
	944 521 037 79 QA1	Blue Burgundy/burgundy			
	944 521 037 79 QA2	Burgundy Greyish green/grey-green			
(5)	944 521 037 87	Greyish green Cover for cushion for electric adjustment with heating Leatherette/leather Centre part	-88	2	
	944 521 037 87 PZ7	Porsche lettering cloth Black/black	-88		
	944 521 037 87 TU6	Black Mahogany/mahogany			
	944 521 037 87 TR6	Mahogany Marine blue/marine blue			
	944 521 037 87 QA1	Blue Burgundy/burgundy			
	944 521 037 87 QA2	Burgundy Greyish green/grey-green			
5	944 521 037 75	Greyish green Cover for cushion for manual adjustment Leatherette/leather Centre part in cloth	/LL /R 89 /RL /L	1	
	944 521 037 75 PY1	Pin stripe velour Black/black	89		
	944 521 037 75 TU4	Black-white Mahogany			
	944 521 037 75 TR4	Mahogany-white Marine blue/marine blue			
	944 521 037 75 PY4	Blue-white Burgundy/burgundy			
	944 521 037 75 XH2	Burgundy-white Linen/linen			
	944 521 037 75 XH7	Linen white Cashmere beige/cash. beige			
(5)	944 521 037 79	Cashmere beige-white Cover for cushion for electric adjustment without heating Leatherette/leather Centre part in cloth	89	2	
	944 521 037 79 PY1	Pin stripe velour Black/black	89		
	944 521 037 79 TU4	Black-white Mahogany/mahogany			

Model: STZ Model life 1985>>1998

Pos	Part Number	Description	Remark	Qty	Model
	944 521 037 79 TR4	Mahogany-white Marine blue/marine blue			
	944 521 037 79 PY4	Blue-white Burgundy/burgundy			
	944 521 037 79 XH2	Burgundy-white Linen/linen			
	944 521 037 79 XH7	Linen white Cashmere beige/cash. beige			
(5)	964 521 037 02	Cashmere beige-white Cover for cushion for electric adjustment with heating	89	2	
	964 521 037 02 PY1	Leatherette/leather Centre part in cloth Pin stripe velour	89		
	964 521 037 02 TU4	Black/black Black-white			
	964 521 037 02 TR4	Mahogany/mahogany Mahogany-white			
	964 521 037 02 PY4	Marine blue/marine blue Blue-white			
	964 521 037 02 XH2	Burgundy/burgundy Burgundy-white			
	964 521 037 02 XH7	Linen/linen Linen white			
5	944 521 037 75	Cashmere beige/ Cashmere beige-white Cover for cushion for manual adjustment	/LL /R 89 /RL /L	1	
	944 521 037 75 XJ2	Leatherette/leather Centre part in cloth Multicolour	89		
	944 521 037 75 XJ3	Black/black Black			
	944 521 037 75 XJ5	Mahogany/mahogany Mahogany			
	944 521 037 75 XJ7	Marine blue/blue Marine blue			
	944 521 037 75 XH6	Burgundy/burgundy Burgundy			
	944 521 037 75 XH9	Linen/linen Linen			
(5)	944 521 037 79	Cashmere beige/cash. beige Cashmere beige Cover for cushion for electric adjustment without heating	89	2	
	944 521 037 79 XJ2	Leatherette/leather Centre part in cloth Multicolour	89		
	944 521 037 79 XJ3	Black/black Black			
	944 521 037 79 XJ5	Mahogany/mahogany Mahogany			
	944 521 037 79 XJ7	Marine blue/blue Marine blue			
	944 521 037 79 XH6	Burgundy/burgundy Burgundy			
	944 521 037 79 XH9	Linen/linen Linen			
(5)	964 521 037 02	Cashmere beige/cash. beige Cashmere beige Cover for cushion	89	2	



Model: STZ Model life 1985&gt;&gt;1998

Pos	Part Number	Description	Remark	Qty	Model
		for electric adjustment with heating Leatherette/leather Centre part in cloth Multicolour	89		
	964 521 037 02 XJ2	Black/black Black			
	964 521 037 02 XJ3	Mahogany/mahogany Mahogany			
	964 521 037 02 XJ5	Marine blue/marine blue Marine blue			
	964 521 037 02 XJ7	Burgundy/burgundy Burgundy			
	964 521 037 02 XH6	Linen/linen Linen			
	964 521 037 02 XH9	Cashmere beige/cash. beige Cashmere beige			
5	944 521 037 75	Cover for cushion for manual adjustment Leatherette/leather Centre part Porsche lettering cloth	/LL /R 89 /RL /L 89	1	
	944 521 037 75 PZ7	Black/black Black			
	944 521 037 75 TU6	Mahogany Mahogany			
	944 521 037 75 TR6	Marine blue/marine blue Blue			
	944 521 037 75 QA1	Burgundy/burgundy Burgundy			
	944 521 037 75 XH4	Linen/linen Linen			
	944 521 037 75 XH8	Cashmere beige/cash. beige Cashmere beige			
(5)	944 521 037 79	Cover for cushion for electric adjustment without heating Leatherette/leather Centre part Porsche lettering cloth	89 89	2	
	944 521 037 79 PZ7	Black/black Black			
	944 521 037 79 TU6	Mahogany Mahogany			
	944 521 037 79 TR6	Marine blue Blue			
	944 521 037 79 QA1	Burgundy/burgundy Burgundy			
	944 521 037 79 XH4	Linen/linen Linen			
	944 521 037 79 XH8	Cashmere beige/cash. beige Cashmere beige			
(5)	964 521 037 02	Cover for cushion for electric adjustment with heating Leatherette/leather Centre part Porsche lettering cloth	89 89	2	
	964 521 037 02 PZ7	Black/black Black			
	964 521 037 02 TU6	Mahogany/mahogany Mahogany			
	964 521 037 02 TR6	Marine blue/marine blue			

Model: STZ Model life 1985>>1998

Pos	Part Number	Description	Remark	Qty	Model
	964 521 037 02 QA1	Blue Burgundy/burgundy			
	964 521 037 02 XH4	Burgundy Linen/linen			
	964 521 037 02 XH8	Linen Cashmere beige/cash. beige			
5	944 521 037 78	Cashmere beige Cover for cushion for manual adjustment Leather/ Centre part in cloth Pin stripe velour	/LL /R -88 /RL /L  -88	1	
	944 521 037 78 LS5	Black/ Black-white			
	944 521 037 78 TU1	Mahogany/ Mahogany-white			
	944 521 037 78 TR1	Blue/ Blue-white			
	944 521 037 78 LS9	Burgundy/ Burgundy-white			
	944 521 037 78 QA7	Greyish green Greyish green-white			
(5)	944 521 037 82	Cover for cushion for electric adjustment without heating Leather/ Centre part in cloth Pin stripe velour	-88  -88	2	
	944 521 037 82 LS5	Black/ Black-white			
	944 521 037 82 TU1	Mahogany/ Mahogany-white			
	944 521 037 82 TR1	Blue/ Blue-white			
	944 521 037 82 LS9	Burgundy/ Burgundy-white			
	944 521 037 82 QA7	Greyish green Greyish green-white			
(5)	944 521 037 91	Cover for cushion for electric adjustment with heating Leather/ Centre part in cloth Pin stripe velour	-88  -88	2	
	944 521 037 91 LS5	Black/ Black-white			
	944 521 037 91 TU1	Mahogany/ Mahogany-white			
	944 521 037 91 TR1	Blue/ Blue-white			
	944 521 037 91 LS9	Burgundy/ Burgundy-white			
	944 521 037 91 QA7	Greyish green/ Greyish green-white			
5	944 521 037 78	Cover for cushion for manual adjustment Leather/ Centre part in cloth Pin stripe flannel	/LL /R -88 /RL /L  -88	1	
	944 521 037 78 QB1	Black/anthracite			
	944 521 037 78 TU2	Mahogany			
	944 521 037 78 TR2	Marine blue			
	944 521 037 78 QB7	Burgundy/burgundy			

Model: STZ Model life 1985>>1998

Pos	Part Number	Description	Remark	Qty	Model
(5)	944 521 037 78 QA8	Greyish green/grey-green			
	944 521 037 82	Cover for cushion for electric adjustment without heating Leather/ Centre part in cloth Pin stripe flannel	-88	2	
	944 521 037 82 QB1	Black/anthracite			
	944 521 037 82 TU2	Mahogany			
	944 521 037 82 TR2	Marine blue			
	944 521 037 82 QB7	Burgundy/burgundy			
(5)	944 521 037 82 QA8	Greyish green/grey-green			
	944 521 037 91	Cover for cushion for electric adjustment with heating Leather/ Centre part in cloth Pin stripe flannel	-88	2	
	944 521 037 91 QB1	Black/anthracite			
	944 521 037 91 TU2	Mahogany/mahogany			
	944 521 037 91 TR2	Marine blue/blue			
	944 521 037 91 QB7	Burgundy/burgundy			
5	944 521 037 91 QA8	Greyish green/grey-green			
	944 521 037 78	Cover for cushion for manual adjustment Leather/ Centre part Porsche lettering cloth	/LL /R -88 /RL /L -88	1	
	944 521 037 78 QB2	Black/black			
	944 521 037 78 TU3	Mahogany			
	944 521 037 78 TR3	Marine blue			
	944 521 037 78 QB8	Burgundy/burgundy			
(5)	944 521 037 78 QA9	Greyish green/grey-green			
	944 521 037 82	Cover for cushion for electric adjustment without heating Leather/ Centre part Porsche lettering cloth	-88 -88	2	
	944 521 037 82 QB2	Black/black			
	944 521 037 82 TU3	Mahogany			
	944 521 037 82 TR3	Marine blue			
	944 521 037 82 QB8	Burgundy/burgundy			
(5)	944 521 037 82 QA9	Greyish green/grey-green			
	944 521 037 91	Cover for cushion for electric adjustment with heating Leather/ Centre part Porsche lettering cloth	-88 -88	2	
	944 521 037 91 QB2	Black/black			
	944 521 037 91 TU3	Mahogany/mahogany			
	944 521 037 91 TR3	Marine blue/blue			
	944 521 037 91 QB8	Burgundy/burgundy			
5	944 521 037 91 QA9	Greyish green/grey-green			
	944 521 037 78	Cover for cushion for manual adjustment Leather/ Centre part in cloth Pin stripe velour	/LL /R 89 /RL /L 89	1	
	944 521 037 78 LS5	Black/ Black-white			
	944 521 037 78 TU1	Mahogany/			

Model: STZ Model life 1985>>1998

Pos	Part Number	Description	Remark	Qty	Model
	944 521 037 78 TR1	Mahogany-white Blue/ Blue-white			
	944 521 037 78 LS9	Burgundy/ Burgundy-white			
	944 521 037 78 XF5	Linen/ Linen white			
	944 521 037 78 XF8	Cashmere beige/ Cashmere beige-white			
(5)	944 521 037 82	Cover for cushion for electric adjustment without heating Leather/ Centre part in cloth Pin stripe velour	89	2	
	944 521 037 82 LS5	Black/ Black-white	89		
	944 521 037 82 TU1	Mahogany/ Mahogany-white			
	944 521 037 82 TR1	Blue/ Blue-white			
	944 521 037 82 LS9	Burgundy/ Burgundy-white			
	944 521 037 82 XF5	Linen/ Linen white			
	944 521 037 82 XF8	Cashmere beige/ Cashmere beige-white			
(5)	964 521 037 05	Cover for cushion for electric adjustment with heating Leather/ Centre part in cloth Pin stripe velour	89	2	
	964 521 037 05 LS5	Black/ Black-white	89		
	964 521 037 05 TU1	Mahogany/ Mahogany-white			
	964 521 037 05 TR1	Blue/ Blue-white			
	964 521 037 05 LS9	Burgundy/ Burgundy-white			
	964 521 037 05 XF5	Linen/ Linen white			
	964 521 037 05 XF8	Cashmere beige/ Cashmere beige-white			
5	944 521 037 78	Cover for cushion for manual adjustment Leather/ Centre part in cloth Multicolour	/LL /R 89 /RL /L 89	1	
	944 521 037 78 XG6	Black/black			
	944 521 037 78 XG7	Mahogany/mahogany			
	944 521 037 78 XG8	Marine blue/blue			
	944 521 037 78 XG9	Burgundy/burgundy			
	944 521 037 78 XF7	Linen/linen			
	944 521 037 78 XG5	Cashmere beige/cash. beige			
(5)	944 521 037 82	Cover for cushion for electric adjustment without heating Leather/ Centre part in cloth Multicolour	89	2	
	944 521 037 82 XG6	Black/black	89		

Model: STZ Model life 1985>>1998

Pos	Part Number	Description	Remark	Qty	Model
	944 521 037 82 XG7	Mahogany/mahogany			
	944 521 037 82 XG8	Marine blue/blue			
	944 521 037 82 XG9	Burgundy/burgundy			
	944 521 037 82 XF7	Linen/linen			
	944 521 037 82 XG5	Cashmere beige/cash. beige			
(5)	964 521 037 05	Cover for cushion for electric adjustment with heating Leather/ Centre part in cloth Multicolour	89	2	
	964 521 037 05 XG6	Black/black			
	964 521 037 05 XG7	Mahogany/mahogany			
	964 521 037 05 XG8	Marine blue/marine blue			
	964 521 037 05 XG9	Burgundy/burgundy			
	964 521 037 05 XF7	Linen/linen			
	964 521 037 05 XG5	Cashmere beige/cash. beige			
5	944 521 037 78	Cover for cushion for manual adjustment Leather/ Centre part Porsche lettering cloth	/LL /R 89 /RL /L 89	1	
	944 521 037 78 QB2	Black/black			
	944 521 037 78 TU3	Mahogany			
	944 521 037 78 TR3	Marine blue			
	944 521 037 78 QB8	Burgundy/burgundy			
	944 521 037 78 XF6	Linen/linen			
	944 521 037 78 XF9	Cashmere beige/cash. beige			
(5)	944 521 037 82	Cover for cushion for electric adjustment without heating Leather/ Centre part Porsche lettering cloth	89	2	
	944 521 037 82 QB2	Black/black			
	944 521 037 82 TU3	Mahogany			
	944 521 037 82 TR3	Marine blue			
	944 521 037 82 QB8	Burgundy/burgundy			
	944 521 037 82 XF6	Linen/linen			
	944 521 037 82 XF9	Cashmere beige/cash. beige			
(5)	964 521 037 05	Cover for cushion for electric adjustment with heating Leather/ Centre part Porsche lettering cloth	89	2	
	964 521 037 05 QB2	Black/black			
	964 521 037 05 TU3	Mahogany/mahogany			
	964 521 037 05 TR3	Marine blue/blue			
	964 521 037 05 QB8	Burgundy/burgundy			
	964 521 037 05 XF6	Linen/linen			
	964 521 037 05 XF9	Cashmere beige/cash. beige			
6	944 521 037 76	Cover for cushion for manual adjustment Leatherette/ Seat surface Leather	/LL /R -88 /RL /L -88	1	
	944 521 037 76 JN3	Black/black			
	944 521 037 76 TV2	Mahogany			
	944 521 037 76 TS2	Marine blue			
	944 521 037 76 NZ8	Burgundy/burgundy			
	944 521 037 76 PX9	Greyish green/grey-green			
	944 521 037 76 TW2	Linen/linen			

Model: STZ Model life 1985>>1998

Pos	Part Number	Description	Remark	Qty	Model
(6)	944 521 037 80	Cover for cushion for electric adjustment without heating Leatherette/ Seat surface Leather	-88	2	
	944 521 037 80 JN3	Black/black	-88		
	944 521 037 80 TV2	Mahogany			
	944 521 037 80 TS2	Marine blue/marine blue			
	944 521 037 80 NZ8	Burgundy/burgundy			
	944 521 037 80 PX9	Greyish green/grey-green			
	944 521 037 80 TW2	Linen/linen			
(6)	944 521 037 88	Cover for cushion for electric adjustment with heating Leatherette/ Seat surface Leather	-88	2	
	944 521 037 88 JN3	Black/black	-88		
	944 521 037 88 TV2	Mahogany/mahogany			
	944 521 037 88 TS2	Marine blue/blue			
	944 521 037 88 NZ8	Burgundy/burgundy			
	944 521 037 88 PX9	Greyish green/grey-green			
	944 521 037 88 TW2	Linen			
6	944 521 037 76	Cover for cushion for manual adjustment Leatherette/ Seat surface Leather	/LL /R 89 /RL /L 89	1	
	944 521 037 76 JN3	Black/black			
	944 521 037 76 TV2	Mahogany			
	944 521 037 76 TS2	Marine blue			
	944 521 037 76 NZ8	Burgundy/burgundy			
	944 521 037 76 TW2	Linen/linen			
	944 521 037 76 XN3	Cashmere beige/cash. beige			
(6)	944 521 037 80	Cover for cushion for electric adjustment without heating Leatherette/ Seat surface Leather	89	2	
	944 521 037 80 JN3	Black/black	89		
	944 521 037 80 TV2	Mahogany			
	944 521 037 80 TS2	Marine blue/marine blue			
	944 521 037 80 NZ8	Burgundy/burgundy			
	944 521 037 80 TW2	Linen/linen			
	944 521 037 80 XN3	Cashmere beige/cash. beige			
(6)	964 521 037 03	Cover for cushion for electric adjustment with heating Leatherette/ Seat surface Leather	89	2	
	964 521 037 03 JN3	Black/black	89		
	964 521 037 03 TV2	Mahogany/mahogany			
	964 521 037 03 TS2	Marine blue/blue			
	964 521 037 03 NZ8	Burgundy/burgundy			
	964 521 037 03 TW2	Linen/linen			
	964 521 037 03 XN3	Cashmere beige/cash. beige			
6	944 521 037 77	Cover for cushion for manual adjustment Whole-leather	/LL /R -88 /RL /L	1	
	944 521 037 77 KZ2	Black			

Model: STZ Model life 1985>>1998

Pos	Part Number	Description	Remark	Qty	Model
	944 521 037 77 TV1	Mahogany			
	944 521 037 77 TS1	Marine blue			
	944 521 037 77 LG7	Burgundy			
	944 521 037 77 QC2	Greyish green			
	944 521 037 77 XG1	Plum red			
	944 521 037 77 XG2	Silver-grey			
	944 521 037 77 LG5	Champagne			
	944 521 037 77 XG3	Caramel			
	944 521 037 77 TW1	Linen			
	944 521 037 77 XG4	Venetian blue			
(6)	944 521 037 81	Cover for cushion for electric adjustment without heating Whole-leather	-88	2	
	944 521 037 81 KZ2	Black			
	944 521 037 81 TV1	Mahogany			
	944 521 037 81 TS1	Marine blue			
	944 521 037 81 LG7	Burgundy			
	944 521 037 81 QC2	Greyish green			
	944 521 037 81 XG1	Plum red			
	944 521 037 81 XG2	Silver-grey			
	944 521 037 81 LG5	Champagne			
	944 521 037 81 XG3	Caramel			
	944 521 037 81 TW1	Linen			
	944 521 037 81 XG4	Venetian blue			
(6)	944 521 037 90	Cover for cushion for electric adjustment with heating Whole-leather	-88	2	
	944 521 037 90 KZ2	Black			
	944 521 037 90 TV1	Mahogany			
	944 521 037 90 TS1	Marine blue			
	944 521 037 90 LG7	Burgundy			
	944 521 037 90 QC2	Greyish green			
	944 521 037 90 XG1	Plum red			
	944 521 037 90 XG2	Silver-grey			
	944 521 037 90 LG5	Champagne			
	944 521 037 90 XG3	Caramel			
	944 521 037 90 TW1	Linen			
	944 521 037 90 XG4	Venetian blue			
6	944 521 037 77	Cover for cushion for manual adjustment Whole-leather	/LL /R 89 /RL /L 89	1	
	944 521 037 77 KZ2	Black			
	944 521 037 77 TV1	Mahogany			
	944 521 037 77 TS1	Marine blue			
	944 521 037 77 LG7	Burgundy			
	944 521 037 77 XG3	Caramel			
	944 521 037 77 TW1	Linen			
	944 521 037 77 XG4	Venetian blue			
	944 521 037 77 XN4	Cashmere beige			
	944 521 037 77 XN5	Silk grey			
	944 521 037 77 XN6	Velvet red			
	944 521 037 77 XN7	Slate grey			
(6)	944 521 037 81	Cover for cushion for electric adjustment without heating Whole-leather	89  89	2	
	944 521 037 81 KZ2	Black			
	944 521 037 81 TV1	Mahogany			
	944 521 037 81 TS1	Marine blue			
	944 521 037 81 LG7	Burgundy			
	944 521 037 81 XG3	Caramel			

Model: STZ Model life 1985>>1998

Pos	Part Number	Description	Remark	Qty	Model
	944 521 037 81 TW1	Linen			
	944 521 037 81 XG4	Venetian blue			
	944 521 037 81 XN4	Cashmere beige			
	944 521 037 81 XN5	Silk grey			
	944 521 037 81 XN6	Velvet red			
	944 521 037 81 XN7	Slate grey			
(6)	964 521 037 04	Cover for cushion for electric adjustment with heating	89	2	
		Whole-leather	89		
	964 521 037 04 KZ2	Black			
	964 521 037 04 TV1	Mahogany			
	964 521 037 04 TS1	Marine blue			
	964 521 037 04 LG7	Burgundy			
	964 521 037 04 XG3	Caramel			
	964 521 037 04 TW1	Linen			
	964 521 037 04 XG4	Venetian blue			
	964 521 037 04 XN4	Cashmere beige			
	964 521 037 04 XN5	Silk grey			
	964 521 037 04 XN6	Velvet red			
	964 521 037 04 XN7	Slate grey			
6	944 521 037 20	Cover for cushion for manual adjustment Draped leather	/LL /R -88 /RL /L -88	2	
	944 521 037 20 KZ2	Black			
	944 521 037 20 TV1	Mahogany			
	944 521 037 20 TS1	Linen			
	944 521 037 20 LG7	Burgundy			
	944 521 037 20 QC2	Greyish green			
	944 521 037 20 XG1	Plum red			
	944 521 037 20 XG2	Silver-grey			
	944 521 037 20 LG5	Champagne			
	944 521 037 20 XG3	Caramel			
	944 521 037 20 TW1	Linen			
	944 521 037 20 XG4	Venetian blue			
(6)	944 521 037 22	Cover for cushion for electric adjustment without heating	-88	2	
		Draped leather	-88		
	944 521 037 22 KZ2	Black			
	944 521 037 22 TV1	Mahogany			
	944 521 037 22 TS1	Marine blue			
	944 521 037 22 LG7	Burgundy			
	944 521 037 22 QC2	Greyish green			
	944 521 037 22 XG1	Plum red			
	944 521 037 22 XG2	Silver-grey			
	944 521 037 22 LG5	Champagne			
	944 521 037 22 XG3	Caramel			
	944 521 037 22 TW1	Linen			
	944 521 037 22 XG4	Venetian blue			
(6)	944 521 037 04	Cover for cushion for electric adjustment with heating	-88	2	
		Draped leather	-88		
	944 521 037 04 KZ2	Black			
	944 521 037 04 TV1	Mahogany			
	944 521 037 04 TS1	Marine blue			
	944 521 037 04 LG7	Burgundy			
	944 521 037 04 QC2	Greyish green			
	944 521 037 04 XG1	Plum red			
	944 521 037 04 XG2	Silver-grey			
	944 521 037 04 LG5	Champagne			
	944 521 037 04 XG3	Caramel			



Model: STZ Model life 1985>>1998

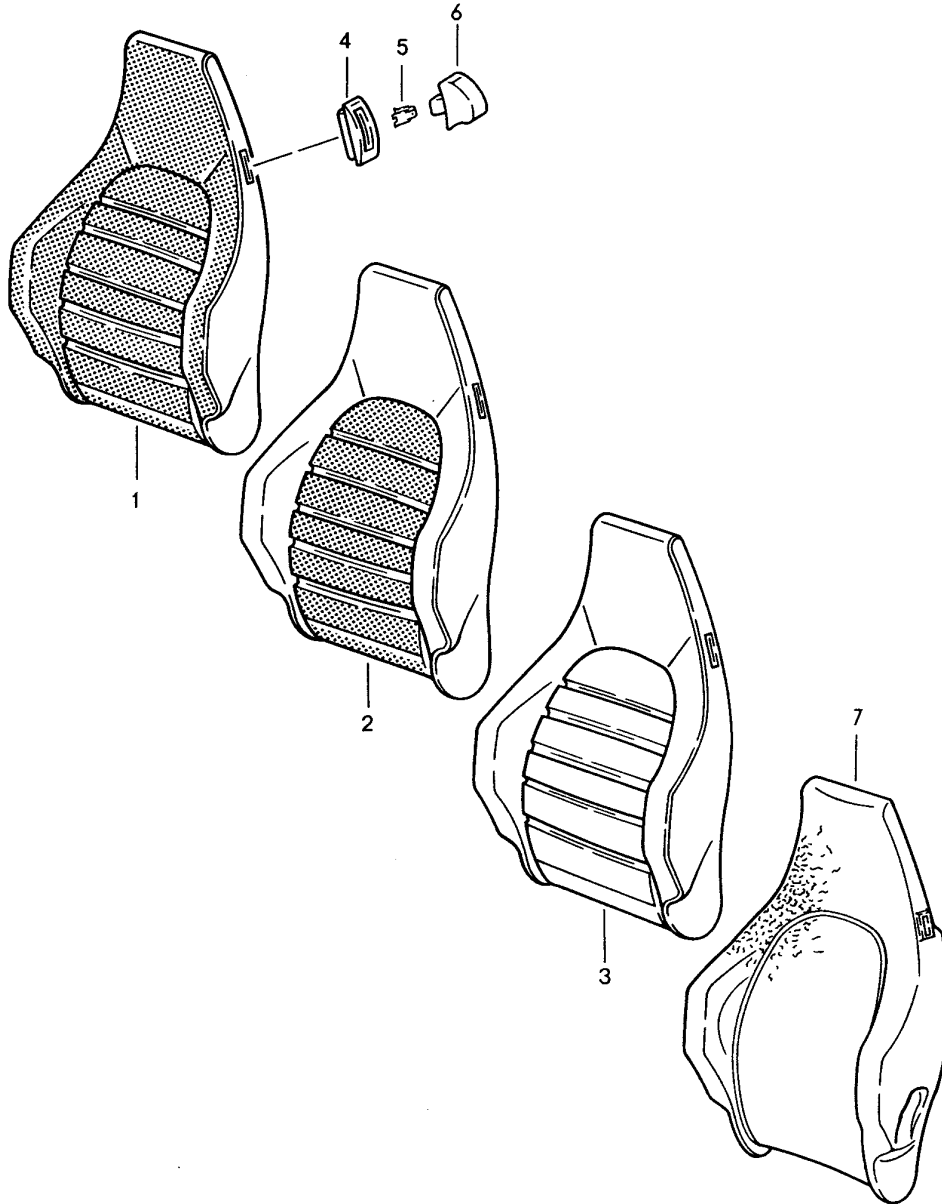
Pos	Part Number	Description	Remark	Qty	Model			
6	944 521 037 04 TW1	Linen		2				
	944 521 037 04 XG4	Venetian blue						
	944 521 037 20	Cover for cushion for manual adjustment Draped leather	/LL /R 89 /RL /L 89					
	944 521 037 20 KZ2	Black						
	944 521 037 20 TV1	Mahogany						
	944 521 037 20 TS1	Linen						
	944 521 037 20 LG7	Burgundy						
	944 521 037 20 XG3	Caramel						
	944 521 037 20 TW1	Linen						
	944 521 037 20 XG4	Venetian blue						
	944 521 037 20 XN4	Cashmere beige						
	944 521 037 20 XN5	Silk grey						
	944 521 037 20 XN6	Velvet red						
	944 521 037 20 XN7	Slate grey						
(6)	944 521 037 22	Cover for cushion for electric adjustment without heating Draped leather	89 89	2				
(6)	944 521 037 22 KZ2	Black		2				
	944 521 037 22 TV1	Mahogany						
	944 521 037 22 TS1	Marine blue						
	944 521 037 22 LG7	Burgundy						
	944 521 037 22 XG3	Caramel						
	944 521 037 22 TW1	Linen						
	944 521 037 22 XG4	Venetian blue						
	944 521 037 22 XN4	Cashmere beige						
	944 521 037 22 XN5	Silk grey						
	944 521 037 22 XN6	Velvet red						
	944 521 037 22 XN7	Slate grey						
	(6)	964 521 037 06	Cover for cushion for electric adjustment with heating Draped leather			89 89	2	
	(6)	964 521 037 06 KZ2	Black				2	JUBI.88
		964 521 037 06 TV1	Mahogany					
964 521 037 06 TS1		Marine blue						
964 521 037 06 LG7		Burgundy						
964 521 037 06 XG3		Caramel						
964 521 037 06 TW1		Linen						
964 521 037 06 XG4		Venetian blue						
964 521 037 06 XN4		Cashmere beige						
964 521 037 06 XN5		Silk grey						
964 521 037 06 XN6		Velvet red						
964 521 037 06 XN7		Slate grey						
(6)		944 521 037 22	Cover for cushion without heating Elect. vertical adjustment Draped leather Special model with Model year 1988		2			
6		944 521 037 22 WR2	Silver-blue		2	M098		
		944 521 037 22	Cover for cushion Elect. vertical adjustment without heating Draped leather					
(6)	944 521 037 22 SR7	Silk grey		2	M099			
(6)	964 521 037 06	Cover for cushion for electric adjustment with heating	89					

Model: STZ Model life 1985>>1998

Pos	Part Number	Description	Remark	Qty	Model
7	964 521 037 06 SS1 928 521 385 22	Draped leather Blue metallic Foam part Seat cushion for manual adjustment	/LL /R /RL /L	1	
(7)	928 521 385 23	Foam part Seat cushion for electric adjustment	/L	1	
(7)	928 521 386 23	Foam part Seat cushion for electric adjustment	/R	1	
(7)	928 521 385 24	Foam part Seat cushion for electric adjustment	/L	1	M139
(7)	928 521 386 24	Foam part Seat cushion for electric adjustment	/R	1	M340
8	928 521 393 13	Foam part Backrest frame for manual adjustment	/LL /R /RL /L	1	
(8)	993 521 393 06	Foam part Backrest frame for electric adjustment See technical information 6 ZYL. GR.7D NR.1/94		2	
(8)		Foam part Backrest frame for electric adjustment See technical information 6 ZYL. GR.7D NR.1/94		2	
9	911 521 815 00	Rosette		4	
	911 521 815 00 01C	Satin black			
10	311 881 247	Clip		4	
11	911 521 817 00	Control button		4	
	911 521 817 00 01C	Satin black			
12	911 653 901 00	Heating element Seat surface	-88	2	
(12)	964 653 901 00	Seat heater Centre part Seat surface	89	2	
12	911 653 902 00	Heating element Backrest	-88	2	
(12)	964 653 902 00	Seat heater Backrest	89	2	
13	000 043 071 00	Clamp Bag Content 50 Pieces	-88	X	
14	993 653 120 00	Seat heater	89	2	
14		Seat heater Seat side bolster	89	2	

Model: STZ

Model life 1985>>1998



Model: STZ Model life 1985>>1998

Pos	Part Number	Description	Remark	Qty	Model
1	944 521 071 05	Backrest cover Sports seat Backrest cover without heating Leatherette/ Backrest surface Pin stripe velour	85-86	2	911 CARRERA TURBO
	944 521 071 05 NY5	Black/ Black-white			
	944 521 071 05 NY7	Brown/ Brown-beige			
	944 521 071 05 QA3	Blue/ Blue-white			
	944 521 071 05 NY8	Burgundy Burgundy-white			
	944 521 071 05 QA4	Greyish green Greyish green-white			
	944 521 071 05 RU3	Grey-beige/ Grey-beige-white	86		
(1)	944 521 071 72	Backrest cover with heating Leatherette/ Backrest surface Pin stripe velour		2	
	944 521 071 72 NY5	Black/ Black-white			
	944 521 071 72 NY7	Brown/ Brown-beige			
	944 521 071 72 QA3	Blue/ Blue-white			
	944 521 071 72 NY8	Burgundy Burgundy-white			
	944 521 071 72 QA4	Greyish green Greyish green-white			
	944 521 071 72 RU3	Grey-beige/ Grey-beige-white	86		
1	944 521 071 05	Backrest cover without heating Leatherette/ Backrest surface Pin stripe flannel		2	
	944 521 071 05 NY9	Black/anthracite			
	944 521 071 05 NZ6	Brown/brown			
	944 521 071 05 QA6	Blue/blue			
	944 521 071 05 NZ5	Burgundy/burgundy			
	944 521 071 05 QA5	Greyish green/grey-green			
(1)	944 521 071 72	Backrest cover with heating Leatherette/ Backrest surface Pin stripe flannel		2	
	944 521 071 72 NY9	Black/anthracite			
	944 521 071 72 NZ6	Brown/brown			
	944 521 071 72 QA6	Blue/blue			
	944 521 071 72 NZ5	Burgundy/burgundy			
	944 521 071 72 QA5	Greyish green/grey-green			
1	944 521 071 05	Backrest cover without heating Leatherette/ Backrest surface Porsche lettering cloth		2	
	944 521 071 05 PX2	Black/black			
	944 521 071 05 PX4	Brown/brown			

Model: **STZ** Model life **1985>>1998**

Pos	Part Number	Description	Remark	Qty	Model				
(1)	944 521 071 05 PX7	Blue/blue	86	2					
	944 521 071 05 PX6	Burgundy/burgundy							
	944 521 071 05 PX8	Greyish green/grey-green							
	944 521 071 05 QD9	Grey-beige/grey-beige							
	944 521 071 72	Backrest cover with heating Leatherette/ Backrest surface Porsche lettering cloth							
	944 521 071 72 PX2	Black/black							
	944 521 071 72 PX4	Brown/brown							
	944 521 071 72 PX7	Blue/blue							
	944 521 071 72 PX6	Burgundy/burgundy							
	944 521 071 72 PX8	Greyish green/grey-green							
2	944 521 071 72 QD9	Grey-beige/grey-beige	86	2					
	944 521 071 60	Backrest cover without heating Leatherette/leather Centre part in cloth Pin stripe velour							
	944 521 071 60 PY1	Black/black Black-white							
	944 521 071 60 PY2	Brown/ Brown-beige							
	944 521 071 60 PY3	Blue/ Blue-white							
	944 521 071 60 PY4	Burgundy/burgundy Burgundy-white							
	944 521 071 60 PY5	Greyish green Greyish green-white							
	944 521 071 60 RU4	Grey-beige/ Grey-beige-white							
	(2)	944 521 071 70				Backrest cover with heating Leatherette/leather Centre part in cloth Pin stripe velour	86	2	
		944 521 071 70 PY1				Black/ Black-white			
944 521 071 70 PY2		Brown/ Brown-beige							
944 521 071 70 PY3		Blue/ Blue-white							
944 521 071 70 PY4		Burgundy Burgundy-white							
944 521 071 70 PY5		Greyish green Greyish green-white							
944 521 071 70 RU4		Grey-beige/ Grey-beige-white							
2		944 521 071 60	Backrest cover without heating Leatherette/leather Centre part in cloth Pin stripe flannel	86	2				
		944 521 071 60 PZ2	Black/anthracite Anthracite						
		944 521 071 60 PZ3	Brown/brown Brown						
	944 521 071 60 PZ4	Blue/blue Blue							
	944 521 071 60 PZ5	Burgundy/burgundy Burgundy							
	944 521 071 60 PZ6	Grey-beige/grey-beige							

Model: STZ Model life 1985>>1998

Pos	Part Number	Description	Remark	Qty	Model
(2)	944 521 071 70	Greyish green Backrest cover with heating Leatherette/leather Centre part in cloth Pin stripe flannel		2	
	944 521 071 70 PZ2	Black/anthracite Anthracite			
	944 521 071 70 PZ3	Brown/brown Brown			
	944 521 071 70 PZ4	Blue/blue Blue			
	944 521 071 70 PZ5	Burgundy/burgundy Burgundy			
	944 521 071 70 PZ6	Grey-beige/grey-beige Greyish green			
2	944 521 071 60	Backrest cover without heating Leatherette/leather Centre part Porsche lettering cloth		2	
	944 521 071 60 PZ7	Black/black Black			
	944 521 071 60 PZ8	Brown/brown Brown			
	944 521 071 60 PZ9	Blue/blue Blue			
	944 521 071 60 QA1	Burgundy/burgundy Burgundy			
	944 521 071 60 QA2	Greyish green/grey-green Greyish green			
	944 521 071 60 RU2	Grey-beige/grey-beige Grey-beige	86		
(2)	944 521 071 70	Backrest cover with heating Leatherette/leather Centre part Porsche lettering cloth		2	
	944 521 071 70 PZ7	Black/black Black			
	944 521 071 70 PZ8	Brown/brown Brown			
	944 521 071 70 PZ9	Blue/blue Blue			
	944 521 071 70 QA1	Burgundy/burgundy Burgundy			
	944 521 071 70 QA2	Greyish green/grey-green Greyish green			
	944 521 071 70 RU2	Grey-beige/grey-beige Grey-beige	86		
2	944 521 071 63	Backrest cover without heating Leather/ Centre part in cloth Pin stripe velour		2	
	944 521 071 63 LS5	Black/ Black-white			
	944 521 071 63 LS6	Brown/ Brown-beige			
	944 521 071 63 LS8	Blue/ Blue-white			
	944 521 071 63 LS9	Burgundy/ Burgundy-white			

Model: STZ Model life 1985>>1998

Pos	Part Number	Description	Remark	Qty	Model
(2)	944 521 071 63 QA7	Greyish green/ Greyish green-white	86	2	
	944 521 071 63 LS7	Grey-beige/ Grey-beige-white			
	944 521 071 74	Backrest cover with heating Leather/ Centre part in cloth Pin stripe velour			
	944 521 071 74 LS5	Black/ Black-white			
	944 521 071 74 LS6	Brown/ Brown-beige			
	944 521 071 74 LS8	Blue/ Blue-white			
	944 521 071 74 LS9	Burgundy/ Burgundy-white			
	944 521 071 74 QA7	Greyish green/ Greyish green-white			
	944 521 071 74 LS7	Grey-beige/ Grey-beige-white			
2	944 521 071 63	Backrest cover without heating Leather/ Centre part in cloth Pin stripe flannel	86	2	
(2)	944 521 071 63 QB1	Black/anthracite			
	944 521 071 63 QB3	Brown/brown			
	944 521 071 63 QB5	Blue/blue			
	944 521 071 63 QB7	Burgundy/burgundy			
	944 521 071 63 QA8	Greyish green/grey-green			
	944 521 071 74	Backrest cover with heating Leather/ Centre part in cloth Pin stripe flannel			
	944 521 071 74 QB1	Black/anthracite			
	944 521 071 74 QB3	Brown/brown			
	944 521 071 74 QB5	Blue/blue			
2	944 521 071 63	Backrest cover without heating Leather/ Centre part Porsche lettering cloth	86	2	
(2)	944 521 071 63 QB2	Black/black			
	944 521 071 63 QB4	Brown/brown			
	944 521 071 63 QB6	Blue/blue			
	944 521 071 63 QB8	Burgundy/burgundy			
	944 521 071 63 QA9	Greyish green/grey-green			
	944 521 071 63 RU1	Grey-beige/grey-beige			
	944 521 071 74	Backrest cover with heating Leather/ Centre part Porsche lettering cloth			
	944 521 071 74 QB2	Black/anthracite			
	944 521 071 74 QB4	Brown/brown			
944 521 071 74 QB6	Blue/blue				
944 521 071 74 QB8	Burgundy/burgundy				
944 521 071 74 QA9	Greyish green/grey-green				
944 521 071 74 RU1	Grey-beige/grey-beige				

Model: STZ Model life 1985>>1998

Pos	Part Number	Description	Remark	Qty	Model
3	944 521 071 61	Backrest cover without heating Leatherette/ Backrest surface Leather		2	
	944 521 071 61 JN3	Black			
	944 521 071 61 JN4	Brown			
	944 521 071 61 QC1	Blue			
	944 521 071 61 NZ8	Burgundy			
	944 521 071 61 PX9	Greyish green			
	944 521 071 61 JN5	Grey-beige	86		
(3)	944 521 071 71	Backrest cover with heating Leatherette/ Backrest surface Leather		2	
	944 521 071 71 JN3	Black			
	944 521 071 71 JN4	Brown			
	944 521 071 71 QC1	Blue			
	944 521 071 71 NZ8	Burgundy			
	944 521 071 71 PX9	Greyish green			
	944 521 071 71 JN5	Grey-beige	86		
3	944 521 071 62	Backrest cover without heating Whole-leather		2	
	944 521 071 62 KZ2	Black			
	944 521 071 62 KZ5	Brown			
	944 521 071 62 KZ3	Blue			
	944 521 071 62 LG7	Burgundy			
	944 521 071 62 QC2	Greyish green			
	944 521 071 62 KZ6	Can-can-red			
	944 521 071 62 LG4	Pearl white			
	944 521 071 62 LG5	Champagne			
	944 521 071 62 LG6	Dark green			
	944 521 071 62 PY9	Ocean blue			
	944 521 071 62 PZ1	Wild buffalo			
	944 521 071 62 KZ4	Grey-beige	86		
(3)	944 521 071 73	Backrest cover with heating Whole-leather		2	
	944 521 071 73 KZ2	Black			
	944 521 071 73 KZ5	Brown			
	944 521 071 73 KZ3	Blue			
	944 521 071 73 LG7	Burgundy			
	944 521 071 73 QC2	Greyish green			
	944 521 071 73 KZ6	Can-can-red			
	944 521 071 73 LG4	Pearl white			
	944 521 071 73 LG5	Champagne			
	944 521 071 73 LG6	Dark green			
	944 521 071 73 PY9	Ocean blue			
	944 521 071 73 PZ1	Wild buffalo			
	944 521 071 73 KZ4	Grey-beige	86		
-	000 043 071 00	Clamp Mount Cover Bag Content 50 Pieces		X	
4	911 521 815 00	Rosette		4	
	911 521 815 00 01C	Satin black			
5	311 881 247	Clip		4	
6	911 521 817 00	Control button		4	

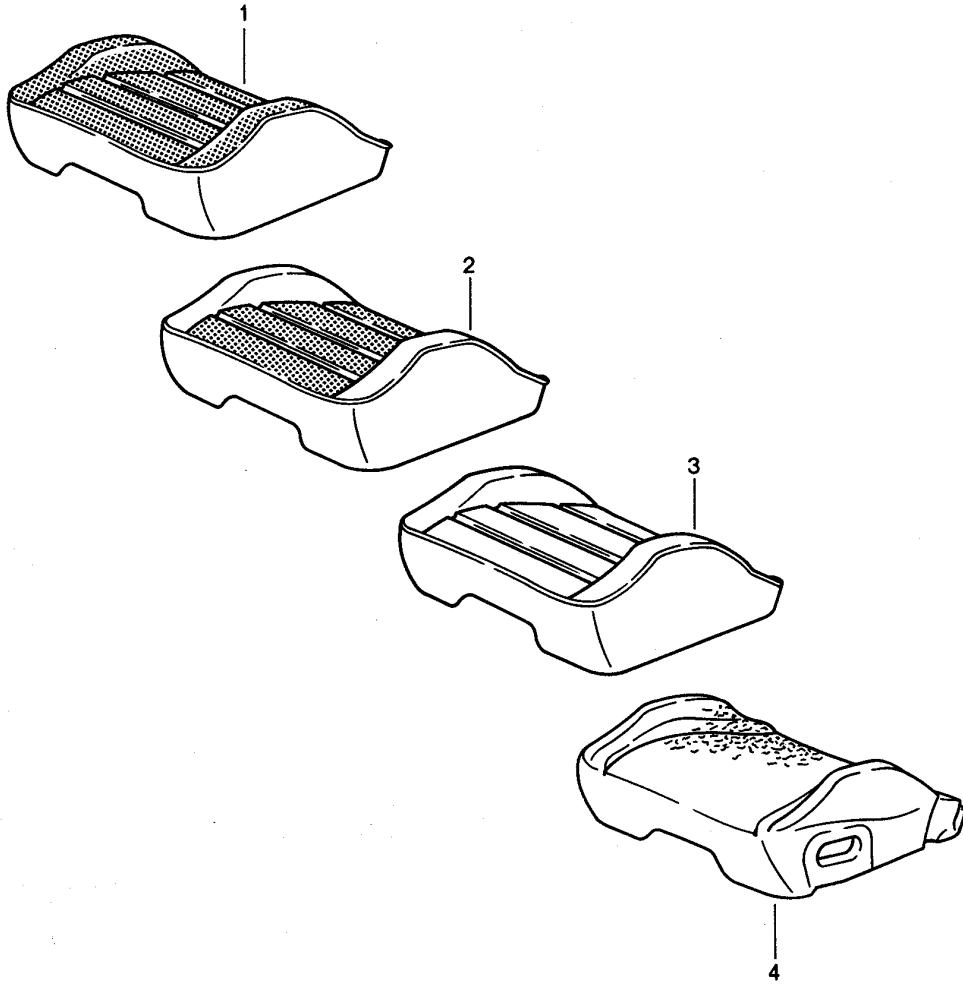
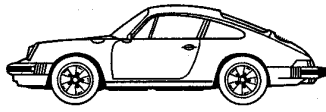


**Model:** STZ                      **Model life** 1985>>1998

Pos	Part Number	Description	Remark	Qty	Model
7	911 521 817 00 01C 928 521 393 15	Satin black Foam part Backrest frame		2	

Model: STZ

Model life 1985>>1998



Model: STZ Model life 1985>>1998

Pos	Part Number	Description	Remark	Qty	Model
1	944 521 037 16	Seat cover Sports seat Cover for cushion without heating Leatherette/ Seat surface Pin stripe velour	85-86	2	911 CARRERA TURBO
	944 521 037 16 NY5	Black/ Black-white			
	944 521 037 16 NY7	Brown/ Brown-beige			
	944 521 037 16 QA3	Blue/ Blue-white			
	944 521 037 16 NY8	Burgundy Burgundy-white			
	944 521 037 16 QA4	Greyish green Greyish green-white			
	944 521 037 16 RU3	Grey-beige/ Grey-beige-white	86		
(1)	944 521 037 94	Cover for cushion with heating Leatherette/ Seat surface Pin stripe velour		2	
	944 521 037 94 NY5	Black/ Black-white			
	944 521 037 94 NY7	Brown/ Brown-beige			
	944 521 037 94 QA3	Blue/ Blue-white			
	944 521 037 94 NY8	Burgundy/ Burgundy-white			
	944 521 037 94 QA4	Greyish green/ Greyish green-white			
	944 521 037 94 RU3	Grey-beige/ Grey-beige-white	86		
1	944 521 037 16	Cover for cushion without heating Leatherette/ Seat surface Pin stripe flannel		2	
	944 521 037 16 NY9	Black/anthracite			
	944 521 037 16 NZ6	Brown/brown			
	944 521 037 16 QA6	Blue/blue			
	944 521 037 16 NZ5	Burgundy/burgundy			
	944 521 037 16 QA5	Greyish green/grey-green			
(1)	944 521 037 94	Cover for cushion with heating Leatherette/ Seat surface Pin stripe flannel		2	
	944 521 037 94 NY9	Black/anthracite			
	944 521 037 94 NZ6	Brown/brown			
	944 521 037 94 QA6	Blue/blue			
	944 521 037 94 NZ5	Burgundy/burgundy			
	944 521 037 94 QA5	Greyish green/grey-green			
1	944 521 037 16	Cover for cushion without heating Leatherette/ Seat surface Porsche lettering cloth		2	
	944 521 037 16 PX2	Black/black			
	944 521 037 16 PX4	Brown/brown			

Model: STZ Model life 1985>>1998

Pos	Part Number	Description	Remark	Qty	Model				
(1)	944 521 037 16 PX7	Blue/blue	86	2					
	944 521 037 16 PX6	Burgundy/burgundy							
	944 521 037 16 PX8	Greyish green/grey-green							
	944 521 037 16 QD9	Grey-beige/grey-beige							
	944 521 037 94	Cover for cushion with heating Leatherette/ Seat surface Porsche lettering cloth							
	944 521 037 94 PX2	Black/black							
	944 521 037 94 PX4	Brown/brown							
	944 521 037 94 PX7	Blue/blue							
	944 521 037 94 PX6	Burgundy/burgundy							
	944 521 037 94 PX8	Greyish green/grey-green							
2	944 521 037 94 QD9	Grey-beige/grey-beige	86	2					
	944 521 037 83	Cover for cushion without heating Leatherette/leather Centre part in cloth Pin stripe velour							
	944 521 037 83 PY1	Black/black Black-white							
	944 521 037 83 PY2	Brown/brown Brown-beige							
	944 521 037 83 PY3	Blue/blue Blue-white							
	944 521 037 83 PY4	Burgundy/burgundy Burgundy-white							
	944 521 037 83 PY5	Greyish green/ Greyish green-white							
	944 521 037 83 RU4	Grey-beige/ Grey-beige-white							
	(2)	944 521 037 92				Cover for cushion with heating Leatherette/leather Centre part in cloth Pin stripe velour	86	2	
		944 521 037 92 PY1				Black/black Black-white			
944 521 037 92 PY2		Brown/brown Brown-beige							
944 521 037 92 PY3		Blue/blue Blue-white							
944 521 037 92 PY4		Burgundy/burgundy Burgundy-white							
944 521 037 92 PY5		Greyish green/ Greyish green-white							
944 521 037 92 RU4		Grey-beige/ Grey-beige-white							
2		944 521 037 83	Cover for cushion without heating Leatherette/leather Centre part in cloth Pin stripe flannel	86	2				
		944 521 037 83 PZ2	Black/black Anthracite						
		944 521 037 83 PZ3	Brown/brown Brown						
	944 521 037 83 PZ4	Blue/blue Blue							
	944 521 037 83 PZ5	Burgundy/burgundy Burgundy							
	944 521 037 83 PZ6	Greyish green/grey-green							

Model: STZ Model life 1985>>1998

Pos	Part Number	Description	Remark	Qty	Model
(2)	944 521 037 92	Greyish green Cover for cushion with heating Leatherette/leather Centre part in cloth Pin stripe flannel		2	
	944 521 037 92 PZ2	Black/black Anthracite			
	944 521 037 92 PZ3	Brown/brown Brown			
	944 521 037 92 PZ4	Blue/blue Blue			
	944 521 037 92 PZ5	Burgundy/burgundy Burgundy			
	944 521 037 92 PZ6	Greyish green/grey-green Greyish green			
2	944 521 037 83	Cover for cushion without heating Leatherette/leather Centre part Porsche lettering cloth		2	
	944 521 037 83 PZ7	Black/black Black			
	944 521 037 83 PZ8	Brown/brown Brown			
	944 521 037 83 PZ9	Blue/blue Blue			
	944 521 037 83 QA1	Burgundy/burgundy Burgundy			
	944 521 037 83 QA2	Greyish green/grey-green Greyish green			
	944 521 037 83 RU2	Grey-beige/grey-beige Grey-beige	86		
(2)	944 521 037 92	Cover for cushion with heating Leatherette/leather Centre part Porsche lettering cloth		2	
	944 521 037 92 PZ7	Black/black Black			
	944 521 037 92 PZ8	Brown/brown Brown			
	944 521 037 92 PZ9	Blue/blue Blue			
	944 521 037 92 QA1	Burgundy/burgundy Burgundy			
	944 521 037 92 QA2	Greyish green/grey-green Greyish green			
	944 521 037 92 RU2	Grey-beige/grey-beige Grey-beige	86		
2	944 521 037 86	Cover for cushion without heating Leather/ Centre part in cloth Pin stripe velour		2	
	944 521 037 86 LS5	Black/ Black-white			
	944 521 037 86 LS6	Brown/ Brown-beige			
	944 521 037 86 LS8	Blue/ Blue-white			
	944 521 037 86 LS9	Burgundy/ Burgundy-white			

Model: STZ Model life 1985>>1998

Pos	Part Number	Description	Remark	Qty	Model
(2)	944 521 037 86 QA7	Greyish green/ Greyish green-white	86	2	
	944 521 037 86 LS7	Grey-beige/ Grey-beige-white			
	944 521 037 96	Cover for cushion with heating Leather/ Centre part in cloth Pin stripe velour			
	944 521 037 96 LS5	Black/ Black-white			
	944 521 037 96 LS6	Brown/ Brown-beige			
	944 521 037 96 LS8	Blue/ Blue-white			
	944 521 037 96 LS9	Burgundy/ Burgundy-white			
	944 521 037 96 QA7	Greyish green/ Greyish green-white			
	944 521 037 96 LS7	Grey-beige/ Grey-beige-white			
2	944 521 037 86	Cover for cushion without heating Leather/ Centre part in cloth Pin stripe flannel	86	2	
944 521 037 86 QB1	Black/anthracite				
944 521 037 86 QB3	Brown/brown				
944 521 037 86 QB5	Blue/blue				
944 521 037 86 QB7	Burgundy/burgundy				
944 521 037 86 QA8	Greyish green/grey-green				
(2)	944 521 037 96	Cover for cushion with heating Leather/ Centre part in cloth Pin stripe flannel			
944 521 037 96 QB1	Black/anthracite				
944 521 037 96 QB3	Brown/brown				
944 521 037 96 QB5	Blue/blue				
944 521 037 96 QB7	Burgundy/burgundy				
944 521 037 96 QA8	Greyish green/grey-green				
2	944 521 037 86	Cover for cushion without heating Leather/ Centre part Porsche lettering cloth	86	2	
944 521 037 86 QB2	Black/black				
944 521 037 86 QB4	Brown/brown				
944 521 037 86 QB6	Blue/blue				
944 521 037 86 QB8	Burgundy/burgundy				
944 521 037 86 QA9	Greyish green/grey-green				
(2)	944 521 037 96	Cover for cushion with heating Leather/ Centre part Porsche lettering cloth			
944 521 037 96 QB2	Black/black				
944 521 037 96 QB4	Brown/brown				
944 521 037 96 QB6	Blue/blue				
944 521 037 96 QB8	Burgundy/burgundy				
944 521 037 96 QA9	Greyish green/grey-green				
944 521 037 96 RU1	Grey-beige/grey-beige	86	2		
944 521 037 96 QB2	Black/black	86			
944 521 037 96 QB4	Brown/brown				
944 521 037 96 QB6	Blue/blue				
944 521 037 96 QB8	Burgundy/burgundy				
944 521 037 96 QA9	Greyish green/grey-green				
944 521 037 96 RU1	Grey-beige/grey-beige	86			

Model: STZ Model life 1985>>1998

Pos	Part Number	Description	Remark	Qty	Model
3	944 521 037 84	Cover for cushion without heating Leatherette/ Seat surface Leather		2	
	944 521 037 84 JN3	Black/black			
	944 521 037 84 JN4	Brown/brown			
	944 521 037 84 QC1	Blue/blue			
	944 521 037 84 NZ8	Burgundy/burgundy			
	944 521 037 84 PX9	Greyish green/grey-green			
	944 521 037 84 JN5	Grey-beige/grey-beige	86		
(3)	944 521 037 93	Cover for cushion with heating Leatherette/ Seat surface Leather		2	
	944 521 037 93 JN3	Black/black			
	944 521 037 93 JN4	Brown/brown			
	944 521 037 93 QC1	Blue/blue			
	944 521 037 93 NZ8	Burgundy/burgundy			
	944 521 037 93 PX9	Greyish green/grey-green			
	944 521 037 93 JN5	Grey-beige/grey-beige	86		
3	944 521 037 85	Cover for cushion without heating Whole-leather		2	
	944 521 037 85 KZ2	Black			
	944 521 037 85 KZ5	Brown			
	944 521 037 85 KZ3	Blue			
	944 521 037 85 LG7	Burgundy			
	944 521 037 85 QC2	Greyish green			
	944 521 037 85 KZ6	Can-can-red			
	944 521 037 85 LG4	Pearl white			
	944 521 037 85 LG5	Champagne			
	944 521 037 85 LG6	Dark green			
	944 521 037 85 PY9	Ocean blue			
	944 521 037 85 PZ1	Wild buffalo			
	944 521 037 85 KZ4	Grey-beige	86-		
(3)	944 521 037 95	Cover for cushion with heating Whole-leather		2	
	944 521 037 95 KZ2	Black			
	944 521 037 95 KZ5	Brown			
	944 521 037 95 KZ3	Blue			
	944 521 037 95 LG7	Burgundy			
	944 521 037 95 QC2	Greyish green			
	944 521 037 95 KZ6	Can-can-red			
	944 521 037 95 LG4	Pearl white			
	944 521 037 95 LG5	Champagne			
	944 521 037 95 LG6	Dark green			
	944 521 037 95 PY9	Ocean blue			
	944 521 037 95 PZ1	Wild buffalo			
	944 521 037 95 KZ4	Grey-beige	86-		
-	000 043 071 00	Clamp Mount Cover Bag Content 50 Pieces		X	
4	928 521 385 27	Foam part Seat cushion	/L	1	
(4)	928 521 385 28	Foam part Seat cushion	/L	1	M139

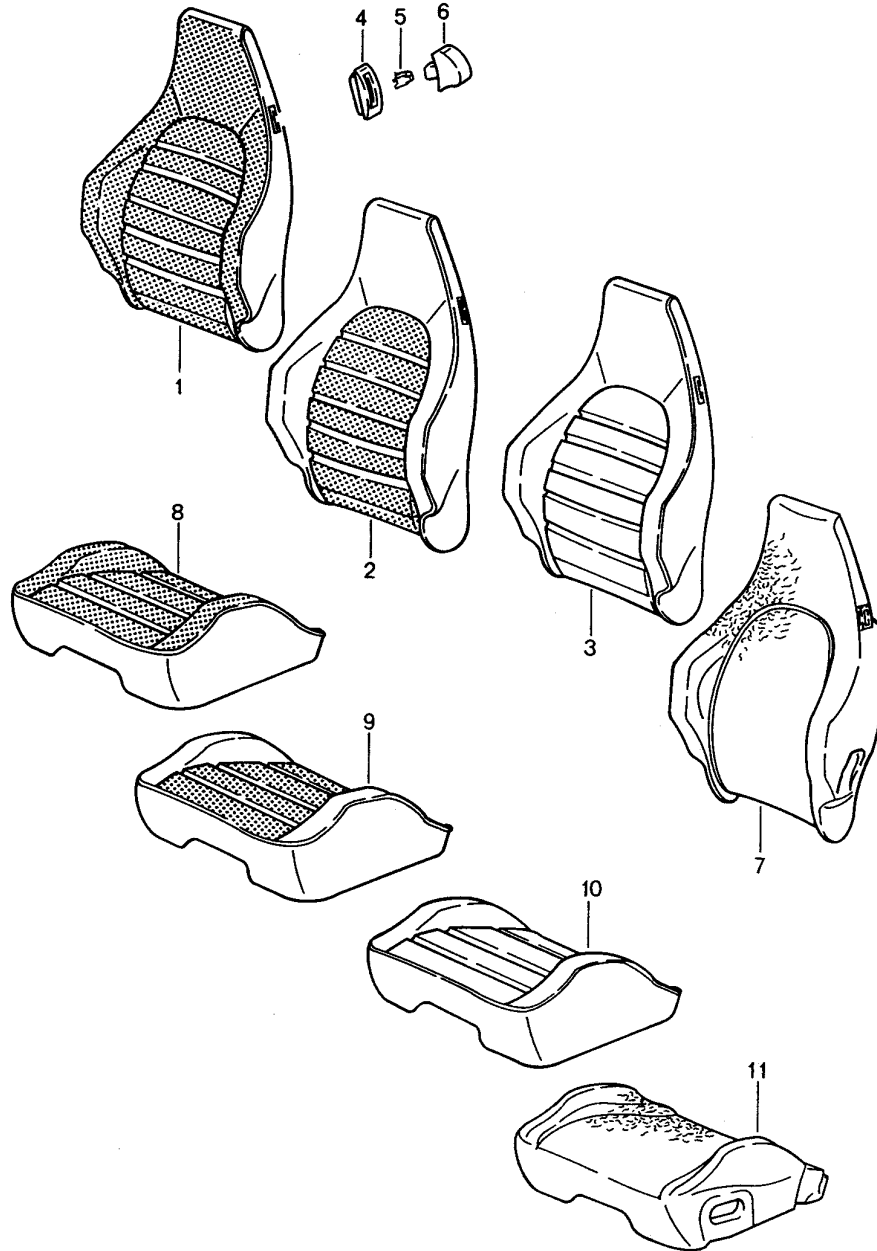
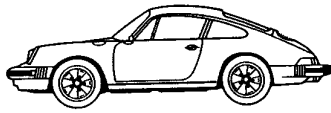
**Model: STZ**      **Model life 1985>>1998**

Pos	Part Number	Description	Remark	Qty	Model
(4)	928 521 386 27	Foam part Seat cushion	/R	1	
(4)	928 521 386 28	Foam part Seat cushion	/R	1	M340



Model: STZ

Model life 1985>>1998



Model: STZ Model life 1985>>1998

Pos	Part Number	Description	Remark	Qty	Model
1	944 521 071 05	Cover Sports seat Backrest cover without heating Leatherette/ Backrest surface Pin stripe velour	87-89 -88 -88	2	911 CARRERA TURBO M637
	944 521 071 05 NY5	Black/ Black-white			
	944 521 071 05 TU7	Mahogany/ Mahogany-white			
	944 521 071 05 TR7	Blue/ Blue-white			
	944 521 071 05 NY8	Burgundy Burgundy-white			
	944 521 071 05 QA4	Greyish green Greyish green-white			
1	944 521 071 05	Backrest cover without heating Leatherette/ Backrest surface Pin stripe velour	-88 -88	2	
	944 521 071 05 NY5	Black/ Black-white			
	944 521 071 05 TU7	Mahogany/ Mahogany-white			
	944 521 071 05 TR7	Blue/ Blue-white			
	944 521 071 05 NY8	Burgundy Burgundy-white			
	944 521 071 05 QA4	Greyish green Greyish green-white			
(1)	944 521 071 72	Backrest cover with heating Leatherette/ Backrest surface Pin stripe velour	-88 -88	2	
	944 521 071 72 NY5	Black/ Black-white			
	944 521 071 72 TU7	Mahogany/ Mahogany-white			
	944 521 071 72 TR7	Blue/ Blue-white			
	944 521 071 72 NY8	Burgundy Burgundy-white			
	944 521 071 72 QA4	Greyish green Greyish green-white			
1	944 521 071 05	Backrest cover without heating Leatherette/ Backrest surface Pin stripe flannel	-88 -88	2	M637
	944 521 071 05 NY9	Black/antracite			
	944 521 071 05 TU8	Mahogany			
	944 521 071 05 TR8	Marine blue			
	944 521 071 05 NZ5	Burgundy/burgundy			
	944 521 071 05 QA5	Greyish green/grey-green			
1	944 521 071 05	Backrest cover without heating Leatherette/ Backrest surface Pin stripe flannel	-88 -88	2	
	944 521 071 05 NY9	Black/antracite			

Model: STZ Model life 1985>>1998

Pos	Part Number	Description	Remark	Qty	Model
(1)	944 521 071 05 TU8	Mahogany			
	944 521 071 05 TR8	Marine blue			
	944 521 071 05 NZ5	Burgundy/burgundy			
	944 521 071 05 QA5	Greyish green/grey-green			
	944 521 071 72	Backrest cover with heating Leatherette/ Backrest surface Pin stripe flannel	-88	2	
1	944 521 071 72 NY9	Black/anthracite	-88		
	944 521 071 72 TU8	Mahogany			
	944 521 071 72 TR8	Marine blue			
	944 521 071 72 NZ5	Burgundy/burgundy			
	944 521 071 72 QA5	Greyish green/grey-green			
	944 521 071 05	Backrest cover without heating Leatherette/ Backrest surface Porsche lettering cloth	-88	2	M637
	944 521 071 05 PX2	Black/black	-88		
	944 521 071 05 TU9	Mahogany			
	944 521 071 05 TR9	Marine blue			
	944 521 071 05 PX6	Burgundy/burgundy			
1	944 521 071 05 PX8	Greyish green/grey-green			
	944 521 071 05	Backrest cover without heating Leatherette/ Backrest surface Porsche lettering cloth	-88	2	
	944 521 071 05 PX2	Black/black	-88		
	944 521 071 05 TU9	Mahogany			
	944 521 071 05 TR9	Marine blue			
	944 521 071 05 PX6	Burgundy/burgundy			
	944 521 071 05 PX8	Greyish green/grey-green			
	(1) 944 521 071 72	Backrest cover with heating Leatherette/ Backrest surface Porsche lettering cloth	-88	2	
	944 521 071 72 PX2	Black/black	-88		
	944 521 071 72 TU9	Mahogany			
944 521 071 72 TR9	Marine blue				
944 521 071 72 PX6	Burgundy/burgundy				
944 521 071 72 PX8	Greyish green/grey-green				
1	944 521 071 05	Backrest cover without heating Leatherette/ Backrest surface Pin stripe velour	89	2	M637
	944 521 071 05 NY5	Black/ Black-white	89		
	944 521 071 05 TU7	Mahogany/ Mahogany-white			
	944 521 071 05 TR7	Blue/ Blue-white			
	944 521 071 05 NY8	Burgundy Burgundy-white			
	944 521 071 05 XK2	Linen/ Linen white			
	944 521 071 05 XK5	Cashmere beige/ Cashmere beige-white			
	1 944 521 071 05	Backrest cover without heating	89	2	

Model: STZ Model life 1985>>1998

Pos	Part Number	Description	Remark	Qty	Model
	944 521 071 05 NY5	Leatherette/ Backrest surface Pin stripe velour Black/ Black-white	89		
	944 521 071 05 TU7	Mahogany/ Mahogany-white			
	944 521 071 05 TR7	Blue/ Blue-white			
	944 521 071 05 NY8	Burgundy Burgundy-white			
	944 521 071 05 XK2	Linen/ Linen white			
	944 521 071 05 XK5	Cashmere beige/ Cashmere beige-white			
(1)	964 521 071 08	Backrest cover with heating Leatherette/ Backrest surface Pin stripe velour	89	2	
	964 521 071 08 NY5	Black/ Black-white	89		
	964 521 071 08 TU7	Mahogany/ Mahogany-white			
	964 521 071 08 TR7	Blue/ Blue-white			
	964 521 071 08 NY8	Burgundy/ Burgundy-white			
	964 521 071 08 XK2	Linen/ Linen white			
	964 521 071 08 XK5	Cashmere beige/ Cashmere beige-white			
1	944 521 071 05	Backrest cover without heating Leatherette/ Backrest surface Multicolour	89	2	M637
	944 521 071 05 XK8	Black/black	89		
	944 521 071 05 XK9	Mahogany/mahogany			
	944 521 071 05 XN1	Marine blue/blue			
	944 521 071 05 XN2	Burgundy/burgundy			
	944 521 071 05 XK4	Linen/linen			
	944 521 071 05 XK7	Cashmere beige/cash. beige			
1	944 521 071 05	Backrest cover without heating Leatherette/ Backrest surface Multicolour	89	2	
	944 521 071 05 XK8	Black/black	89		
	944 521 071 05 XK9	Mahogany/mahogany			
	944 521 071 05 XN1	Marine blue/blue			
	944 521 071 05 XN2	Burgundy/burgundy			
	944 521 071 05 XK4	Linen/linen			
	944 521 071 05 XK7	Cashmere beige/cash. beige			
(1)	964 521 071 08	Backrest cover with heating Leatherette/ Backrest surface Multicolour	89	2	
	964 521 071 08 XK8	Black/black	89		
	964 521 071 08 XK9	Mahogany/mahogany			
	964 521 071 08 XN1	Marine blue/blue			
	964 521 071 08 XN2	Burgundy/burgundy			

Model: STZ Model life 1985>>1998

Pos	Part Number	Description	Remark	Qty	Model
1	964 521 071 08 XK4	Linen/linen			M637
	964 521 071 08 XK7	Cashmere beige/cash. beige			
	944 521 071 05	Backrest cover without heating Leatherette/ Backrest surface Porsche lettering cloth	89	2	
	944 521 071 05 PX2	Black/black			
	944 521 071 05 TU9	Mahogany			
	944 521 071 05 TR9	Marine blue			
	944 521 071 05 PX6	Burgundy/burgundy			
	944 521 071 05 XK3	Linen/linen			
	944 521 071 05 XK6	Cashmere beige/cash. beige			
	944 521 071 05	Backrest cover without heating Leatherette/ Backrest surface Porsche lettering cloth	89	2	
(1)	944 521 071 05 PX2	Black/black			
	944 521 071 05 TU9	Mahogany			
	944 521 071 05 TR9	Marine blue			
	944 521 071 05 PX6	Burgundy/burgundy			
	944 521 071 05 XK3	Linen/linen			
	944 521 071 05 XK6	Cashmere beige/cash. beige			
	964 521 071 08	Backrest cover with heating Leatherette/ Backrest surface Porsche lettering cloth	89	2	
	964 521 071 08 PX2	Black/black			
	964 521 071 08 TU9	Mahogany/mahogany			
	964 521 071 08 TR9	Marine blue/blue			
2	964 521 071 08 PX6	Burgundy/burgundy			
	964 521 071 08 XK3	Linen/linen			
	964 521 071 08 XK6	Cashmere beige/cash. beige			
	944 521 071 60	Backrest cover without heating Leatherette/leather Centre part in cloth Pin stripe velour	-88	2	
	944 521 071 60 PY1	Black/black Black-white			
	944 521 071 60 TU4	Mahogany/mahogany Mahogany-white			
	944 521 071 60 TR4	Marine blue/marine blue Blue-white			
	944 521 071 60 PY4	Burgundy/burgundy Burgundy-white			
	944 521 071 60 PY5	Greyish green Greyish green-white			
	944 521 071 70	Backrest cover with heating Leatherette/leather Centre part in cloth Pin stripe velour	-88	2	
(2)	944 521 071 70 PY1	Black/ Black-white			
	944 521 071 70 TU4	Mahogany/ Mahogany-white			
	944 521 071 70 TR4	Blue/ Blue-white			
	944 521 071 70 PY4	Burgundy Burgundy-white			
			-88		

Model: STZ Model life 1985>>1998

Pos	Part Number	Description	Remark	Qty	Model
	944 521 071 70 PY5	Greyish green			
2	944 521 071 60	Greyish green-white Backrest cover without heating Leatherette/leather Centre part in cloth Pin stripe flannel	-88	2	
	944 521 071 60 PZ2	Black/anthracite Anthracite	-88		
	944 521 071 60 TU5	Mahogany Mahogany			
	944 521 071 60 TR5	Marine blue Blue			
	944 521 071 60 PZ5	Burgundy/burgundy Burgundy			
	944 521 071 60 PZ6	Grey-beige/grey-beige Grey-beige			
(2)	944 521 071 70	Backrest cover with heating Leatherette/leather Centre part in cloth Pin stripe flannel	-88	2	
	944 521 071 70 PZ2	Black/anthracite Anthracite	-88		
	944 521 071 70 TU5	Mahogany Mahogany			
	944 521 071 70 TR5	Marine blue Blue			
	944 521 071 70 PZ5	Burgundy/burgundy Burgundy			
	944 521 071 70 PZ6	Grey-beige/grey-beige Grey-beige			
2	944 521 071 60	Backrest cover without heating Leatherette/leather Centre part Porsche lettering cloth	-88	2	
	944 521 071 60 PZ7	Black/black Black	-88		
	944 521 071 60 TU6	Mahogany Mahogany			
	944 521 071 60 TR6	Marine blue/marine blue Blue			
	944 521 071 60 QA1	Burgundy/burgundy Burgundy			
	944 521 071 60 QA2	Greyish green/grey-green Greyish green			
(2)	944 521 071 70	Backrest cover with heating Leatherette/leather Centre part Porsche lettering cloth	-88	2	
	944 521 071 70 PZ7	Black/black Black	-88		
	944 521 071 70 TU6	Mahogany Mahogany			
	944 521 071 70 TR6	Marine blue Blue			
	944 521 071 70 QA1	Burgundy/burgundy Burgundy			
	944 521 071 70 QA2	Greyish green/grey-green Greyish green			
2	944 521 071 60	Backrest cover	89	2	

Model: STZ Model life 1985>>1998

Pos	Part Number	Description	Remark	Qty	Model
		without heating Leatherette/leather Centre part in cloth Pin stripe velour	89		
	944 521 071 60 PY1	Black/black Black-white			
	944 521 071 60 TU4	Mahogany/mahogany Mahogany-white			
	944 521 071 60 TR4	Marine blue/marine blue Blue-white			
	944 521 071 60 PY4	Burgundy/burgundy Burgundy-white			
	944 521 071 60 XH2	Linen/linen Linen white			
	944 521 071 60 XH7	Cashmere beige/cash. beige Cashmere beige-white			
(2)	964 521 071 09	Backrest cover with heating Leatherette/leather Centre part in cloth Pin stripe velour	89	2	
	964 521 071 09 PY1	Black/black Black-white	89		
	964 521 071 09 TU4	Mahogany/mahogany Mahogany-white			
	964 521 071 09 TR4	Blue/ Blue-white			
	964 521 071 09 PY4	Burgundy/burgundy Burgundy-white			
	964 521 071 09 XH2	Linen/linen Linen white			
	964 521 071 09 XH7	Cashmere beige/cash. beige Cashmere beige-white			
2	944 521 071 60	Backrest cover without heating Leatherette/leather Centre part in cloth Multicolour	89	2	
	944 521 071 60 XJ2	Black/black Black	89		
	944 521 071 60 XJ3	Mahogany/mahogany Mahogany			
	944 521 071 60 XJ5	Marine blue/blue Marine blue			
	944 521 071 60 XJ7	Burgundy/burgundy Burgundy			
	944 521 071 60 XH6	Linen/linen Linen			
	944 521 071 60 XH9	Cashmere beige/cash. beige Cashmere beige			
(2)	964 521 071 09	Backrest cover with heating Leatherette/leather Centre part in cloth Multicolour	89	2	
	964 521 071 09 XJ2	Black/black Black	89		
	964 521 071 09 XJ3	Mahogany/mahogany Mahogany			
	964 521 071 09 XJ5	Marine blue/blue Marine blue			
	964 521 071 09 XJ7	Burgundy/burgundy Burgundy			

Model: STZ Model life 1985>>1998

Pos	Part Number	Description	Remark	Qty	Model
	964 521 071 09 XH6	Linen/linen Linen			
	964 521 071 09 XH9	Cashmere beige/cash. beige Cashmere beige			
2	944 521 071 60	Backrest cover without heating Leatherette/leather Centre part Porsche lettering cloth	89   89	2	
	944 521 071 60 PZ7	Black/black Black			
	944 521 071 60 TU6	Mahogany Mahogany			
	944 521 071 60 TR6	Marine blue/marine blue Blue			
	944 521 071 60 QA1	Burgundy/burgundy Burgundy			
	944 521 071 60 XH4	Linen/linen Linen			
	944 521 071 60 XH8	Cashmere beige/cash. beige Cashmere beige			
(2)	964 521 071 09	Backrest cover with heating Leatherette/leather Centre part Porsche lettering cloth	89   89	2	
	964 521 071 09 PZ7	Black/black Black			
	964 521 071 09 TU6	Mahogany/mahogany Mahogany			
	964 521 071 09 TR6	Marine blue/blue Blue			
	964 521 071 09 QA1	Burgundy/burgundy Burgundy			
	964 521 071 09 XH4	Linen/linen Linen			
	964 521 071 09 XH8	Cashmere beige/cash. beige Cashmere beige			
2	944 521 071 63	Backrest cover without heating Leather/ Centre part in cloth Pin stripe velour	-88   -88	2	
	944 521 071 63 LS5	Black/ Black-white			
	944 521 071 63 TU1	Mahogany/ Mahogany-white			
	944 521 071 63 TR1	Blue/ Blue-white			
	944 521 071 63 LS9	Burgundy/ Burgundy-white			
	944 521 071 63 QA7	Greyish green/ Greyish green-white			
(2)	944 521 071 74	Backrest cover with heating Leather/ Centre part in cloth Pin stripe velour	-88   -88	2	
	944 521 071 74 LS5	Black/ Black-white			
	944 521 071 74 TU1	Mahogany/ Mahogany-white			
	944 521 071 74 TR1	Blue/			



Model: STZ Model life 1985>>1998

Pos	Part Number	Description	Remark	Qty	Model
	944 521 071 74 LS9	Blue-white			
	944 521 071 74 QA7	Burgundy/ Burgundy-white			
2	944 521 071 63	Greyish green/ Greyish green-white			
		Backrest cover	-88	2	
		without heating			
		Leather/			
		Centre part in cloth			
		Pin stripe flannel	-88		
	944 521 071 63 QB1	Black/anthracite			
	944 521 071 63 TU2	Mahogany			
	944 521 071 63 TR2	Marine blue			
	944 521 071 63 QB7	Burgundy/burgundy			
	944 521 071 63 QA8	Greyish green/grey-green			
(2)	944 521 071 74	Backrest cover	-88	2	
		with heating			
		Leather/			
		Centre part in cloth			
		Pin stripe flannel	-88		
	944 521 071 74 QB1	Black/anthracite			
	944 521 071 74 TU2	Mahogany			
	944 521 071 74 TR2	Marine blue			
	944 521 071 74 QB7	Burgundy/burgundy			
	944 521 071 74 QA8	Greyish green/grey-green			
2	944 521 071 63	Backrest cover	-88	2	
		without heating			
		Leather/			
		Centre part			
		Porsche lettering cloth	-88		
	944 521 071 63 QB2	Black/black			
	944 521 071 63 TU3	Mahogany			
	944 521 071 63 TR3	Marine blue			
	944 521 071 63 QB8	Burgundy/burgundy			
	944 521 071 63 QA9	Greyish green/grey-green			
(2)	944 521 071 74	Backrest cover	-88	2	
		with heating			
		Leather/			
		Centre part			
		Porsche lettering cloth	-88		
	944 521 071 74 QB2	Black/anthracite			
	944 521 071 74 TU3	Mahogany			
	944 521 071 74 TR3	Marine blue			
	944 521 071 74 QB8	Burgundy/burgundy			
	944 521 071 74 QA9	Greyish green/grey-green			
2	944 521 071 63	Backrest cover	89	2	
		without heating			
		Leather/			
		Centre part in cloth			
		Pin stripe velour	89		
	944 521 071 63 LS5	Black/ Black-white			
	944 521 071 63 TU1	Mahogany/ Mahogany-white			
	944 521 071 63 TR1	Blue/ Blue-white			
	944 521 071 63 LS9	Burgundy/ Burgundy-white			
	944 521 071 63 XF5	Linen/ Linen white			
	944 521 071 63 XF8	Cashmere beige/ Cashmere beige-white			
(2)	964 521 071 12	Backrest cover	89	2	

Model: STZ Model life 1985>>1998

Pos	Part Number	Description	Remark	Qty	Model
		with heating Leather/ Centre part in cloth Pin stripe velour	89		
	964 521 071 12 LS5	Black/ Black-white			
	964 521 071 12 TU1	Mahogany/ Mahogany-white			
	964 521 071 12 TR1	Blue/ Blue-white			
	964 521 071 12 LS9	Burgundy/ Burgundy-white			
	964 521 071 12 XF5	Linen/ Linen white			
	964 521 071 12 XF8	Cashmere beige/ Cashmere beige-white			
2	944 521 071 63	Backrest cover without heating Leather/ Centre part in cloth Multicolour	89	2	
	944 521 071 63 XG6	Black/black			
	944 521 071 63 XG7	Mahogany/mahogany			
	944 521 071 63 XG8	Marine blue/blue			
	944 521 071 63 XG9	Burgundy/burgundy			
	944 521 071 63 XF7	Linen/linen			
(2)	944 521 071 63 XG5	Cashmere beige/cash. beige			
	964 521 071 12	Backrest cover with heating Leather/ Centre part in cloth Multicolour	89	2	
	964 521 071 12 XG6	Black/black			
	964 521 071 12 XG7	Mahogany/mahogany			
	964 521 071 12 XG8	Marine blue/blue			
	964 521 071 12 XG9	Burgundy/burgundy			
	964 521 071 12 XF7	Linen/linen			
	964 521 071 12 XG5	Cashmere beige/cash. beige			
2	944 521 071 63	Backrest cover without heating Leather/ Centre part Porsche lettering cloth	89	2	
	944 521 071 63 QB2	Black/black			
	944 521 071 63 TU3	Mahogany			
	944 521 071 63 TR3	Marine blue			
	944 521 071 63 QB8	Burgundy/burgundy			
	944 521 071 63 XF6	Linen/linen			
	944 521 071 63 XF9	Cashmere beige/cash. beige			
(2)	964 521 071 12	Backrest cover with heating Leather/ Centre part Porsche lettering cloth	89	2	
	964 521 071 12 QB2	Black/black			
	964 521 071 12 TU3	Mahogany/mahogany			
	964 521 071 12 TR3	Marine blue/blue			
	964 521 071 12 QB8	Burgundy/burgundy			
	964 521 071 12 XF6	Linen/linen			
	964 521 071 12 XF9	Cashmere beige/cash. beige			
3	944 521 071 61	Backrest cover without heating Leatherette/	-88	2	

Model: STZ Model life 1985>>1998

Pos	Part Number	Description	Remark	Qty	Model
		Backrest surface Leather	-88		
	944 521 071 61 JN3	Black			
	944 521 071 61 TV2	Mahogany			
	944 521 071 61 TS2	Marine blue			
	944 521 071 61 NZ8	Burgundy			
	944 521 071 61 PX9	Greyish green			
	944 521 071 61 TW2	Linen			
(3)	944 521 071 71	Backrest cover with heating Leatherette/ Backrest surface Leather	-88	2	
	944 521 071 71 JN3	Black	-88		
	944 521 071 71 TV2	Mahogany			
	944 521 071 71 TS2	Marine blue			
	944 521 071 71 NZ8	Burgundy			
	944 521 071 71 PX9	Greyish green			
	944 521 071 71 TW2	Linen			
3	944 521 071 61	Backrest cover without heating Leatherette/ Backrest surface Leather	89	2	
	944 521 071 61 JN3	Black	89		
	944 521 071 61 TV2	Mahogany			
	944 521 071 61 TS2	Marine blue			
	944 521 071 61 NZ8	Burgundy			
	944 521 071 61 TW2	Linen			
	944 521 071 61 XN3	Cashmere beige			
(3)	964 521 071 10	Backrest cover with heating Leatherette/ Backrest surface Leather	89	2	
	964 521 071 10 JN3	Black	89		
	964 521 071 10 TV2	Mahogany			
	964 521 071 10 TS2	Marine blue			
	964 521 071 10 NZ8	Burgundy			
	964 521 071 10 TW2	Linen			
	964 521 071 10 XN3	Cashmere beige			
3	944 521 071 62	Backrest cover without heating Whole-leather	-88	2	
	944 521 071 62 KZ2	Black	-88		
	944 521 071 62 TV1	Mahogany			
	944 521 071 62 TS1	Marine blue			
	944 521 071 62 LG7	Burgundy			
	944 521 071 62 QC2	Greyish green			
	944 521 071 62 XG1	Plum red			
	944 521 071 62 XG2	Silver-grey			
	944 521 071 62 LG5	Champagne			
	944 521 071 62 XG3	Caramel			
	944 521 071 62 TW1	Linen			
	944 521 071 62 XG4	Venetian blue			
(3)	944 521 071 73	Backrest cover with heating Whole-leather	-88	2	
	944 521 071 73 KZ2	Black	-88		
	944 521 071 73 TV1	Mahogany			
	944 521 071 73 TS1	Marine blue			
	944 521 071 73 LG7	Burgundy			
	944 521 071 73 QC2	Greyish green			

Model: STZ Model life 1985>>1998

Pos	Part Number	Description	Remark	Qty	Model
	944 521 071 73 XG1	Plum red			
	944 521 071 73 XG2	Silver-grey			
	944 521 071 73 LG5	Champagne			
	944 521 071 73 XG3	Caramel			
	944 521 071 73 TW1	Linen			
	944 521 071 73 XG4	Venetian blue			
3	944 521 071 62	Backrest cover without heating	89	2	
		Whole-leather	89		
	944 521 071 62 KZ2	Black			
	944 521 071 62 TV1	Mahogany			
	944 521 071 62 TS1	Marine blue			
	944 521 071 62 LG7	Burgundy			
	944 521 071 62 XG3	Caramel			
	944 521 071 62 TW1	Linen			
	944 521 071 62 XG4	Venetian blue			
	944 521 071 62 XN4	Cashmere beige			
	944 521 071 62 XN5	Silk grey			
	944 521 071 62 XN6	Velvet red			
	944 521 071 62 XN7	Slate grey			
(3)	964 521 071 11	Backrest cover with heating	89	2	
		Whole-leather	89		
	964 521 071 11 KZ2	Black			
	964 521 071 11 TV1	Mahogany			
	964 521 071 11 TS1	Marine blue			
	964 521 071 11 LG7	Burgundy			
	964 521 071 11 XG3	Caramel			
	964 521 071 11 TW1	Linen			
	964 521 071 11 XG4	Venetian blue			
	964 521 071 11 XN4	Cashmere beige			
	964 521 071 11 XN5	Silk grey			
	964 521 071 11 XN6	Velvet red			
	964 521 071 11 XN7	Slate grey			
4	911 521 815 00	Rosette		4	
	911 521 815 00 01C	Satin black			
5	311 881 247	Clip		4	
6	911 521 817 00	Control button		4	
	911 521 817 00 01C	Satin black			
7	928 521 393 15	Foam part		2	
		Backrest frame			
8	944 521 037 16	Cover for cushion without heating	-88	2	
		Leatherette/ Seat surface			
		Pin stripe velour	-88		
	944 521 037 16 NY5	Black/ Black-white			
	944 521 037 16 TU7	Mahogany/ Mahogany-white			
	944 521 037 16 TR7	Blue/ Blue-white			
	944 521 037 16 NY8	Burgundy Burgundy-white			
	944 521 037 16 QA4	Greyish green Greyish green-white			
(8)	944 521 037 94	Cover for cushion with heating	-88	2	
		Leatherette/ Seat surface			
		Pin stripe velour	-88		
	944 521 037 94 NY5	Black/ Black-white			

Model: STZ Model life 1985>>1998

Pos	Part Number	Description	Remark	Qty	Model
	944 521 037 94 TU7	Mahogany/ Mahogany-white			
	944 521 037 94 TR7	Blue/ Blue-white			
	944 521 037 94 NY8	Burgundy/ Burgundy-white			
	944 521 037 94 QA4	Greyish green/ Greyish green-white			
8	944 521 037 16	Cover for cushion without heating Leatherette/ Seat surface Pin stripe flannel	-88	2	
	944 521 037 16 NY9	Black/anthracite	-88		
	944 521 037 16 TU8	Mahogany			
	944 521 037 16 TR8	Marine blue			
	944 521 037 16 NZ5	Burgundy/burgundy			
(8)	944 521 037 16 QA5	Greyish green/grey-green			
	944 521 037 94	Cover for cushion with heating Leatherette/ Seat surface Pin stripe flannel	-88	2	
	944 521 037 94 NY9	Black/anthracite	-88		
	944 521 037 94 TU8	Mahogany/mahogany			
	944 521 037 94 TR8	Marine blue/blue			
	944 521 037 94 NZ5	Burgundy/burgundy			
8	944 521 037 94 QA5	Greyish green/grey-green			
	944 521 037 16	Cover for cushion without heating Leatherette/ Seat surface Porsche lettering cloth	-88	2	
	944 521 037 16 PX2	Black/black	-88		
	944 521 037 16 TU9	Mahogany			
	944 521 037 16 TR9	Marine blue			
	944 521 037 16 PX6	Burgundy/burgundy			
(8)	944 521 037 16 PX8	Greyish green/grey-green			
	944 521 037 94	Cover for cushion with heating Leatherette/ Seat surface Porsche lettering cloth	-88	2	
	944 521 037 94 PX2	Black/black	-88		
	944 521 037 94 TU9	Mahogany/mahogany			
	944 521 037 94 TR9	Marine blue/blue			
	944 521 037 94 PX6	Burgundy/burgundy			
	944 521 037 94 PX8	Greyish green/grey-green			
8	944 521 037 16	Cover for cushion without heating Leatherette/ Seat surface Pin stripe velour	89	2	
	944 521 037 16 NY5	Black/ Black-white	89		
	944 521 037 16 TU7	Mahogany/ Mahogany-white			
	944 521 037 16 TR7	Blue/ Blue-white			
	944 521 037 16 NY8	Burgundy Burgundy-white			
	944 521 037 16 XK2	Linen/ Linen white			

Model: STZ Model life 1985>>1998

Pos	Part Number	Description	Remark	Qty	Model	
(8)	944 521 037 16 XK5	Cashmere beige/ Cashmere beige-white				
	964 521 037 08	Cover for cushion with heating Leatherette/ Seat surface Pin stripe velour	89	2		
	964 521 037 08 NY5	Black/ Black-white	89			
	964 521 037 08 TU7	Mahogany/ Mahogany-white				
	964 521 037 08 TR7	Blue/ Blue-white				
	964 521 037 08 NY8	Burgundy/ Burgundy-white				
	964 521 037 08 XK2	Linen/ Linen white				
	964 521 037 08 XK5	Cashmere beige/ Cashmere beige-white				
8	944 521 037 16	Cover for cushion without heating Leatherette/ Seat surface Multicolour	89	2		
	944 521 037 16 XK8	Black/black	89			
	944 521 037 16 XK9	Mahogany/mahogany				
	944 521 037 16 XN1	Marine blue/blue				
	944 521 037 16 XN2	Burgundy/burgundy				
	944 521 037 16 XK4	Linen/linen				
	944 521 037 16 XK7	Cashmere beige/cash. beige				
	(8)	964 521 037 08	Cover for cushion with heating Leatherette/ Seat surface Multicolour	89	2	
		964 521 037 08 XK8	Black/black	89		
		964 521 037 08 XK9	Mahogany/mahogany			
964 521 037 08 XN1		Marine blue/marine blue				
964 521 037 08 XN2		Burgundy/burgundy				
964 521 037 08 XK4		Linen/linen				
964 521 037 08 XK7		Cashmere beige/cash. beige				
944 521 037 16		Cover for cushion without heating Leatherette/ Seat surface Porsche lettering cloth	89	2		
(8)	944 521 037 16 PX2	Black/black	89			
	944 521 037 16 TU9	Mahogany				
	944 521 037 16 TR9	Marine blue				
	944 521 037 16 PX6	Burgundy/burgundy				
	944 521 037 16 XK3	Linen/linen				
	944 521 037 16 XK6	Cashmere beige/cash. beige				
	964 521 037 08	Cover for cushion with heating Leatherette/ Seat surface Porsche lettering cloth	89	2		
	964 521 037 08 PX2	Black/black	89			
	964 521 037 08 TU9	Mahogany/mahogany				
	964 521 037 08 TR9	Marine blue/blue				
964 521 037 08 PX6	Burgundy/burgundy					
964 521 037 08 XK3	Linen/linen					
964 521 037 08 XK6	Cashmere beige/cash. beige					

Model: STZ Model life 1985&gt;&gt;1998

Pos	Part Number	Description	Remark	Qty	Model
9	944 521 037 83	Cover for cushion without heating Leatherette/leather Centre part in cloth Pin stripe velour	-88	2	
	944 521 037 83 PY1	Black/black Black-white	-88		
	944 521 037 83 TU4	Mahogany/mahogany Mahogany-white			
	944 521 037 83 TR4	Marine blue/marine blue Blue-white			
	944 521 037 83 PY4	Burgundy/burgundy Burgundy-white			
	944 521 037 83 PY5	Greyish green/grey-green Greyish green-white			
(9)	944 521 037 92	Cover for cushion with heating Leatherette/leather Centre part in cloth Pin stripe velour	-88	2	
	944 521 037 92 PY1	Black/black Black-white	-88		
	944 521 037 92 TU4	Mahogany/mahogany Mahogany-white			
	944 521 037 92 TR4	Marine blue/marine blue Blue-white			
	944 521 037 92 PY4	Burgundy/burgundy Burgundy-white			
	944 521 037 92 PY5	Greyish green/grey-green Greyish green-white			
9	944 521 037 83	Cover for cushion without heating Leatherette/leather Centre part in cloth Pin stripe flannel	-88	2	
	944 521 037 83 PZ2	Black/black Anthracite	-88		
	944 521 037 83 TU5	Mahogany/mahogany Mahogany			
	944 521 037 83 TR5	Marine blue/marine blue Blue			
	944 521 037 83 PZ5	Burgundy/burgundy Burgundy			
	944 521 037 83 PZ6	Greyish green/grey-green Greyish green			
(9)	944 521 037 92	Cover for cushion with heating Leatherette/leather Centre part in cloth Pin stripe flannel	-88	2	
	944 521 037 92 PZ2	Black/black Anthracite	-88		
	944 521 037 92 TU5	Mahogany/mahogany Mahogany			
	944 521 037 92 TR5	Marine blue/marine blue Blue			
	944 521 037 92 PZ5	Burgundy/burgundy Burgundy			
	944 521 037 92 PZ6	Greyish green/grey-green Greyish green			
9	944 521 037 83	Cover for cushion without heating Leatherette/leather	-88	2	

Model: STZ Model life 1985>>1998

Pos	Part Number	Description	Remark	Qty	Model
		Centre part Porsche lettering cloth	-88		
	944 521 037 83 PZ7	Black/black Black			
	944 521 037 83 TU6	Mahogany/mahogany Mahogany			
	944 521 037 83 TR6	Marine blue/marine blue Blue			
	944 521 037 83 QA1	Burgundy/burgundy Burgundy			
	944 521 037 83 QA2	Greyish green/grey-green Greyish green			
(9)	944 521 037 92	Cover for cushion with heating Leatherette/leather Centre part Porsche lettering cloth	-88	2	
	944 521 037 92 PZ7	Black/black Black	-88		
	944 521 037 92 TU6	Mahogany/mahogany Mahogany			
	944 521 037 92 TR6	Marine blue/marine blue Blue			
	944 521 037 92 QA1	Burgundy/burgundy Burgundy			
	944 521 037 92 QA2	Greyish green/grey-green Greyish green			
9	944 521 037 83	Cover for cushion without heating Leatherette/leather Centre part in cloth Pin stripe velour	89	2	
	944 521 037 83 PY1	Black/black Black-white	89		
	944 521 037 83 TU4	Mahogany/mahogany Mahogany-white			
	944 521 037 83 TR4	Marine blue/marine blue Blue-white			
	944 521 037 83 PY4	Burgundy/burgundy Burgundy-white			
	944 521 037 83 XH2	Linen/linen Linen white			
	944 521 037 83 XH7	Cashmere beige/cash. beige Cashmere beige-white			
(9)	964 521 037 09	Cover for cushion with heating Leatherette/leather Centre part in cloth Pin stripe velour	89	2	
	964 521 037 09 PY1	Black/black Black-white	89		
	964 521 037 09 TU4	Mahogany/mahogany Mahogany-white			
	964 521 037 09 TR4	Marine blue/marine blue Blue-white			
	964 521 037 09 PY4	Burgundy/burgundy Burgundy-white			
	964 521 037 09 XH2	Linen/linen Linen white			
	964 521 037 09 XH7	Cashmere beige/cash. beige Cashmere beige-white			
9	944 521 037 83	Cover for cushion without heating	89	2	



Model: STZ Model life 1985>>1998

Pos	Part Number	Description	Remark	Qty	Model
		Leatherette/leather Centre part in cloth Multicolour	89		
	944 521 037 83 XJ2	Black/black Black			
	944 521 037 83 XJ3	Mahogany/mahogany Mahogany			
	944 521 037 83 XJ5	Marine blue/marine blue Marine blue			
	944 521 037 83 XJ7	Burgundy/burgundy Burgundy			
	944 521 037 83 XH6	Linen/linen Linen			
	944 521 037 83 XH9	Cashmere beige/cash. beige Cashmere beige			
(9)	964 521 037 09	Cover for cushion with heating Leatherette/leather Centre part in cloth Multicolour	89	2	
	964 521 037 09 XJ2	Black/black Black	89		
	964 521 037 09 XJ3	Mahogany/mahogany Mahogany			
	964 521 037 09 XJ5	Marine blue/marine blue Marine blue			
	964 521 037 09 XJ7	Burgundy/burgundy Burgundy			
	964 521 037 09 XH6	Linen/linen Linen			
	964 521 037 09 XH9	Cashmere beige/cash. beige Cashmere beige			
9	944 521 037 83	Cover for cushion without heating Leatherette/leather Centre part Porsche lettering cloth	89	2	
	944 521 037 83 PZ7	Black/black Black	89		
	944 521 037 83 TU6	Mahogany/mahogany Mahogany			
	944 521 037 83 TR6	Marine blue/marine blue Blue			
	944 521 037 83 QA1	Burgundy/burgundy Burgundy			
	944 521 037 83 XH4	Linen/linen Linen			
	944 521 037 83 XH8	Cashmere beige/cash. beige Cashmere beige			
(9)	964 521 037 09	Cover for cushion with heating Leatherette/leather Centre part Porsche lettering cloth	89	2	
	964 521 037 09 PZ7	Black/black Black	89		
	964 521 037 09 TU6	Mahogany/mahogany Mahogany			
	964 521 037 09 TR6	Marine blue/marine blue Blue			
	964 521 037 09 QA1	Burgundy/burgundy Burgundy			
	964 521 037 09 XH4	Linen/linen			

Model: STZ Model life 1985>>1998

Pos	Part Number	Description	Remark	Qty	Model
	964 521 037 09 XH8	Linen Cashmere beige/cash. beige			
9	944 521 037 86	Cashmere beige Cover for cushion without heating Leather/ Centre part in cloth Pin stripe velour	-88	2	
	944 521 037 86 LS5	Black/ Black-white	-88		
	944 521 037 86 TU1	Mahogany/ Mahogany-white			
	944 521 037 86 TR1	Blue/ Blue-white			
	944 521 037 86 LS9	Burgundy/ Burgundy-white			
	944 521 037 86 QA7	Greyish green/ Greyish green-white			
(9)	944 521 037 96	Cover for cushion with heating Leather/ Centre part in cloth Pin stripe velour	-88	2	
	944 521 037 96 LS5	Black/ Black-white	-88		
	944 521 037 96 TU1	Mahogany/ Mahogany-white			
	944 521 037 96 TR1	Blue/ Blue-white			
	944 521 037 96 LS9	Burgundy/ Burgundy-white			
	944 521 037 96 QA7	Greyish green/ Greyish green-white			
9	944 521 037 86	Cover for cushion without heating Leather/ Centre part in cloth Pin stripe flannel	-88	2	
	944 521 037 86 QB1	Black/anthracite	-88		
	944 521 037 86 TU2	Mahogany/mahogany			
	944 521 037 86 TR2	Marine blue/blue			
	944 521 037 86 QB7	Burgundy/burgundy			
	944 521 037 86 QA8	Greyish green/grey-green			
(9)	944 521 037 96	Cover for cushion with heating Leather/ Centre part in cloth Pin stripe flannel	-88	2	
	944 521 037 96 QB1	Black/anthracite	-88		
	944 521 037 96 TU2	Mahogany/mahogany			
	944 521 037 96 TR2	Marine blue/blue			
	944 521 037 96 QB7	Burgundy/burgundy			
	944 521 037 96 QA8	Greyish green/grey-green			
9	944 521 037 86	Cover for cushion without heating Leather/ Centre part in cloth Porsche lettering cloth	-88	2	
	944 521 037 86 QB2	Black/black	-88		
	944 521 037 86 TU3	Mahogany/mahogany			
	944 521 037 86 TR3	Marine blue/blue			
	944 521 037 86 QB8	Burgundy/burgundy			
	944 521 037 86 QA9	Greyish green/grey-green			

Model: STZ Model life 1985&gt;&gt;1998

Pos	Part Number	Description	Remark	Qty	Model
(9)	944 521 037 96	Cover for cushion with heating Leather/ Centre part in cloth Porsche lettering cloth	-88   -88	2	
	944 521 037 96 QB2	Black/black			
	944 521 037 96 TU3	Mahogany/mahogany			
	944 521 037 96 TR3	Marine blue/blue			
	944 521 037 96 QB8	Burgundy/burgundy			
	944 521 037 96 QA9	Greyish green/grey-green			
9	944 521 037 86	Cover for cushion without heating Leather/ Centre part in cloth Pin stripe velour	89   89	2	
	944 521 037 86 LS5	Black/ Black-white			
	944 521 037 86 TU1	Mahogany/ Mahogany-white			
	944 521 037 86 TR1	Blue/ Blue-white			
	944 521 037 86 LS9	Burgundy/ Burgundy-white			
	944 521 037 86 XF5	Linen/ Linen white			
	944 521 037 86 XF8	Cashmere beige/ Cashmere beige-white			
(9)	964 521 037 12	Cover for cushion with heating Leather/ Centre part in cloth Pin stripe velour	89   89	2	
	964 521 037 12 LS5	Black/ Black-white			
	964 521 037 12 TU1	Mahogany/ Mahogany-white			
	964 521 037 12 TR1	Blue/ Blue-white			
	964 521 037 12 LS9	Burgundy/ Burgundy-white			
	964 521 037 12 XF5	Linen/ Linen white			
	964 521 037 12 XF8	Cashmere beige/ Cashmere beige-white			
9	944 521 037 86	Cover for cushion without heating Leather/ Centre part in cloth Multicolour	89   89	2	
	944 521 037 86 XG6	Black/black			
	944 521 037 86 XG7	Mahogany/mahogany			
	944 521 037 86 XG8	Marine blue/marine blue			
	944 521 037 86 XG9	Burgundy/burgundy			
	944 521 037 86 XF7	Linen/linen			
	944 521 037 86 XG5	Cashmere beige/cash. beige			
(9)	964 521 037 12	Cover for cushion with heating Leather/ Centre part in cloth Multicolour	89   89	2	
	964 521 037 12 XG6	Black/black			
	964 521 037 12 XG7	Mahogany/mahogany			
	964 521 037 12 XG8	Marine blue/marine blue			

Model: STZ Model life 1985>>1998

Pos	Part Number	Description	Remark	Qty	Model	
9	964 521 037 12 XG9	Burgundy/burgundy				
	964 521 037 12 XF7	Linen/linen				
	964 521 037 12 XG5	Cashmere beige/cash. beige				
	944 521 037 86	Cover for cushion without heating Leather/ Centre part in cloth Porsche lettering cloth	89	2		
	944 521 037 86 QB2	Black/black	89			
	944 521 037 86 TU3	Mahogany/mahogany				
	944 521 037 86 TR3	Marine blue/blue				
	944 521 037 86 QB8	Burgundy/burgundy				
	944 521 037 86 XF6	Linen/linen				
	944 521 037 86 XF9	Cashmere beige/cash. beige				
(9)	964 521 037 12	Cover for cushion with heating Leather/ Centre part in cloth Porsche lettering cloth	89	2		
10	964 521 037 12 QB2	Black/black	89			
	964 521 037 12 TU3	Mahogany/mahogany				
	964 521 037 12 TR3	Marine blue/blue				
	964 521 037 12 QB8	Burgundy/burgundy				
	964 521 037 12 XF6	Linen/linen				
	964 521 037 12 XF9	Cashmere beige/cash. beige				
	(10)	944 521 037 84	Cover for cushion without heating Leatherette/ Seat surface Leather	-88	2	
	944 521 037 84 JN3	Black/black	-88			
	944 521 037 84 TV2	Mahogany/mahogany				
	944 521 037 84 TS2	Marine blue/marine blue				
944 521 037 84 NZ8	Burgundy/burgundy					
944 521 037 84 PX9	Greyish green/grey-green					
944 521 037 84 TW2	Linen/linen					
(10)	944 521 037 93	Cover for cushion with heating Leatherette/ Seat surface Leather	-88	2		
10	944 521 037 93 JN3	Black/black	-88			
	944 521 037 93 TV2	Mahogany/mahogany				
	944 521 037 93 TS2	Marine blue/marine blue				
	944 521 037 93 NZ8	Burgundy/burgundy				
	944 521 037 93 PX9	Greyish green/grey-green				
	944 521 037 93 TW2	Linen/linen				
	(10)	944 521 037 84	Cover for cushion without heating Leatherette/ Seat surface Leather	89	2	
	944 521 037 84 JN3	Black/black	89			
	944 521 037 84 TV2	Mahogany/mahogany				
	944 521 037 84 TS2	Marine blue/marine blue				
944 521 037 84 NZ8	Burgundy/burgundy					
944 521 037 84 TW2	Linen/linen					
944 521 037 84 XN3	Cashmere beige/cash. beige					
(10)	964 521 037 10	Seat cover with heating Leatherette/ Seat surface Leather	89	2		
			89			

Model: STZ Model life 1985>>1998

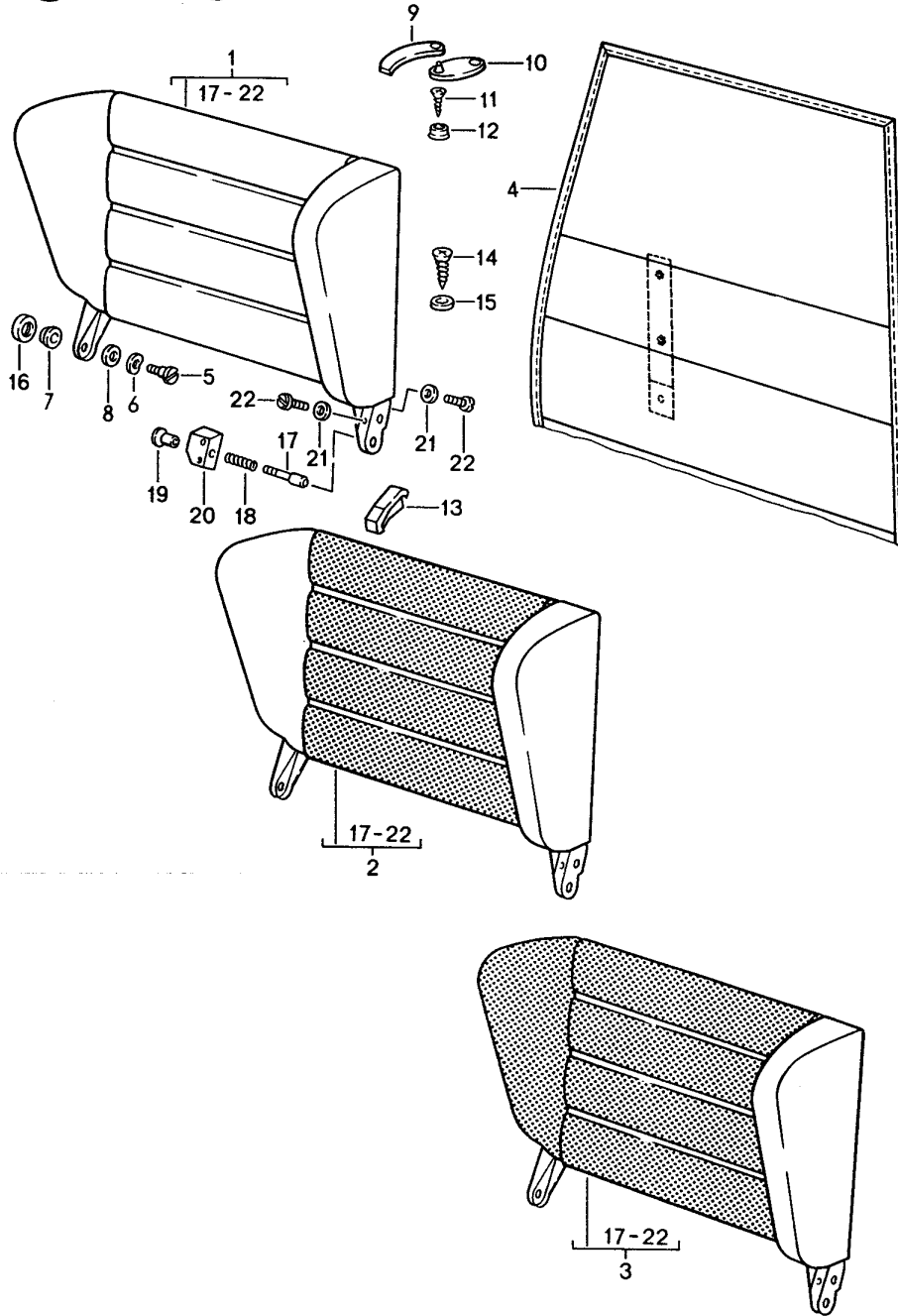
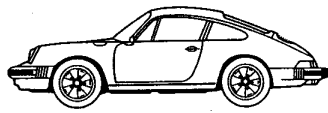
Pos	Part Number	Description	Remark	Qty	Model
	964 521 037 10 JN3	Black			
	964 521 037 10 TV2	Mahogany			
	964 521 037 10 TS2	Marine blue			
	964 521 037 10 NZ8	Burgundy			
	964 521 037 10 TW2	Linen			
	964 521 037 10 XN3	Cashmere beige/cash. beige			
10	944 521 037 85	Cover for cushion without heating Whole-leather	-88 -88	2	
	944 521 037 85 KZ2	Black			
	944 521 037 85 TV1	Mahogany			
	944 521 037 85 TS1	Marine blue			
	944 521 037 85 LG7	Burgundy			
	944 521 037 85 QC2	Greyish green			
	944 521 037 85 XG1	Plum red			
	944 521 037 85 XG2	Silver-grey			
	944 521 037 85 LG5	Champagne			
	944 521 037 85 XG3	Caramel			
	944 521 037 85 TW1	Linen			
	944 521 037 85 XG4	Venetian blue			
(10)	944 521 037 95	Cover for cushion with heating Whole-leather	-88 -88	2	
	944 521 037 95 KZ2	Black			
	944 521 037 95 TV1	Mahogany			
	944 521 037 95 TS1	Marine blue			
	944 521 037 95 LG7	Burgundy			
	944 521 037 95 QC2	Greyish green			
	944 521 037 95 XG1	Plum red			
	944 521 037 95 XG2	Silver-grey			
	944 521 037 95 LG5	Champagne			
	944 521 037 95 XG3	Caramel			
	944 521 037 95 TW1	Linen			
	944 521 037 95 XG4	Venetian blue			
10	944 521 037 85	Cover for cushion without heating Whole-leather	89 89	2	
	944 521 037 85 KZ2	Black			
	944 521 037 85 TV1	Mahogany			
	944 521 037 85 TS1	Marine blue			
	944 521 037 85 LG7	Burgundy			
	944 521 037 85 XG3	Caramel			
	944 521 037 85 TW1	Linen			
	944 521 037 85 XG4	Venetian blue			
	944 521 037 85 XN4	Cashmere beige			
	944 521 037 85 XN5	Silk grey			
	944 521 037 85 XN6	Velvet red			
	944 521 037 85 XN7	Slate grey			
(10)	964 521 037 11	Cover for cushion with heating Whole-leather	89 89	2	
	964 521 037 11 KZ2	Black			
	964 521 037 11 TV1	Mahogany			
	964 521 037 11 TS1	Marine blue			
	964 521 037 11 LG7	Burgundy			
	964 521 037 11 XG3	Caramel			
	964 521 037 11 TW1	Linen			
	964 521 037 11 XG4	Venetian blue			
	964 521 037 11 XN4	Cashmere beige			
	964 521 037 11 XN5	Silk grey			
	964 521 037 11 XN6	Velvet red			
	964 521 037 11 XN7	Slate grey			
11	928 521 385 27	Foam part	/L	1	

Model: STZ Model life 1985>>1998

Pos	Part Number	Description	Remark	Qty	Model
(11)	928 521 385 28	Seat cushion Foam part	/L	1	M139
(11)	928 521 386 27	Seat cushion Foam part	/R	1	
(11)	928 521 386 28	Seat cushion Foam part	/R	1	M340
-	911 653 901 00	Seat Heating element	-88	2	
-	911 653 902 00	Heating element Backrest	-88	2	
-	000 043 071 00	Clamp Bag Content 50 Pieces	-88	X	

Model: STZ

Model life 1985>>1998



Model: STZ Model life 1985>>1998

Pos	Part Number	Description	Remark	Qty	Model
		Back seat backrest	85-86		911 COUPE TARGA/TURBO
(1)	911 522 017 00	for cars with POS. 9 - 13 It is necessary to rework Back seat backrest	/L	1	
		Leatherette			
	911 522 017 00 3MK	Burgundy			
	911 522 017 00 4FK	Grey-beige	86		
	911 522 017 00 43S	Black			
	911 522 017 00 1HH	Blue			
	911 522 017 00 4RB	Brown			
	911 522 017 00 4JX	Greyish green			
1	911 522 018 00	Back seat backrest	/R	1	
		Leatherette			
	911 522 018 00 3MK	Burgundy			
	911 522 018 00 4FK	Grey-beige	86		
	911 522 018 00 43S	Black			
	911 522 018 00 1HH	Blue			
	911 522 018 00 4RB	Brown			
	911 522 018 00 4JX	Greyish green			
(1)	911 522 017 03	Back seat backrest	/L	1	
		Whole-leather			
	911 522 017 03 KZ2	Black			
	911 522 017 03 KZ3	Blue			
	911 522 017 03 KZ4	Grey-beige	86		
	911 522 017 03 KZ5	Brown			
	911 522 017 03 KZ6	Can-can-red			
	911 522 017 03 LG4	Pearl white			
	911 522 017 03 LG5	Champagne			
	911 522 017 03 LG6	Dark green			
	911 522 017 03 LG7	Burgundy			
	911 522 017 03 QC2	Greyish green			
	911 522 017 03 PY9	Ocean blue			
	911 522 017 03 PZ1	Wild buffalo			
1	911 522 018 03	Back seat backrest	/R	1	
		Whole-leather			
	911 522 018 03 KZ2	Black			
	911 522 018 03 KZ3	Blue			
	911 522 018 03 KZ4	Grey-beige	86		
	911 522 018 03 KZ5	Brown			
	911 522 018 03 KZ6	Can-can-red			
	911 522 018 03 LG4	Pearl white			
	911 522 018 03 LG5	Champagne			
	911 522 018 03 LG6	Dark green			
	911 522 018 03 LG7	Burgundy			
	911 522 018 03 QC2	Greyish green			
	911 522 018 03 PY9	Ocean blue			
	911 522 018 03 PZ1	Wild buffalo			
(2)	911 522 017 01	Back seat backrest	/L	1	
		Leatherette/ Centre part in cloth			
		Pin stripe velour			
	911 522 017 01 JN1	Black/ Black-white			
	911 522 017 01 LT1	Blue Blue-white			
	911 522 017 01 JN2	Brown Brown-beige			
	911 522 017 01 LT2	Burgundy/ Burgundy-white			
	911 522 017 01 LD4	Grey-beige	86		
		Grey-beige-white	86		



Model: STZ Model life 1985>>1998

Pos	Part Number	Description	Remark	Qty	Model
	911 522 017 01 PY5	Greyish green/ Greyish green-white			
2	911 522 018 01	Back seat backrest Leatherette/ Centre part in cloth Pin stripe velour	/R	1	
	911 522 018 01 JN1	Black/ Black-white			
	911 522 018 01 LT1	Blue Blue-white			
	911 522 018 01 JN2	Brown Brown-beige			
	911 522 018 01 LT2	Burgundy/ Burgundy-white			
	911 522 018 01 LD4	Grey-beige Grey-beige-white	86 86		
	911 522 018 01 PY5	Greyish green/ Greyish green-white			
(2)	911 522 017 01	Back seat backrest Leatherette/ Centre part in cloth Porsche lettering cloth	/L	1	
	911 522 017 01 PZ7	Black/black			
	911 522 017 01 PZ9	Blue			
	911 522 017 01 PZ8	Brown			
	911 522 017 01 QA1	Burgundy/burgundy			
	911 522 017 01 QA2	Greyish green/grey-green			
	911 522 017 01 QD8	Grey-beige	86		
2	911 522 018 01	Back seat backrest Leatherette/ Centre part in cloth Porsche lettering cloth	/R	1	
	911 522 018 01 PZ7	Black/black			
	911 522 018 01 PZ9	Blue			
	911 522 018 01 PZ8	Brown			
	911 522 018 01 QA1	Burgundy/burgundy			
	911 522 018 01 QA2	Greyish green/grey-green			
	911 522 018 01 QD8	Grey-beige	86		
(2)	911 522 017 01	Back seat backrest Leatherette/ Centre part in cloth Pin stripe flannel	/L	1	
	911 522 017 01 PZ2	Black/anthracite			
	911 522 017 01 PZ4	Brown			
	911 522 017 01 PZ3	Brown			
	911 522 017 01 PZ5	Burgundy/burgundy			
	911 522 017 01 PZ6	Greyish green/grey-green			
2	911 522 018 01	Back seat backrest Leatherette/ Centre part in cloth Pin stripe flannel	/R	1	
	911 522 018 01 PZ2	Black/anthracite			
	911 522 018 01 PZ4	Blue			
	911 522 018 01 PZ3	Brown			
	911 522 018 01 PZ5	Burgundy/burgundy			
	911 522 018 01 PZ6	Greyish green/grey-green			
(2)	911 522 017 04	Back seat backrest Leather/ Centre part in cloth Pin stripe velour	/L	1	
	911 522 017 04 LS5	Black/ Black-white			
	911 522 017 04 LS8	Blue/			

Model: STZ Model life 1985>>1998

Pos	Part Number	Description	Remark	Qty	Model
	911 522 017 04 LS6	Blue-white Brown/ Brown-beige			
	911 522 017 04 LS9	Burgundy/ Burgundy-white			
	911 522 017 04 LS7	Grey-beige/ Grey-beige-white	86 86		
2	911 522 017 04 QA7	Greyish green/ Greyish green-white			
	911 522 018 04	Back seat backrest Leather/ Centre part in cloth Pin stripe velour	/R	1	
	911 522 018 04 LS5	Black/ Black-white			
	911 522 018 04 LS8	Blue/ Blue-white			
	911 522 018 04 LS6	Brown/ Brown-beige			
	911 522 018 04 LS9	Burgundy/ Burgundy-white			
	911 522 018 04 LS7	Grey-beige/ Grey-beige-white	86 86		
(2)	911 522 018 04 QA7	Greyish green/ Greyish green-white			
	911 522 017 04	Back seat backrest Leather/ Centre part Porsche lettering cloth	/L	1	
	911 522 017 04 QB2	Black/black			
	911 522 017 04 QB6	Blue/blue			
	911 522 017 04 QB4	Brown/brown			
	911 522 017 04 QB8	Burgundy/burgundy			
	911 522 017 04 QA9	Greyish green/grey-green			
2	911 522 017 04 RU1	Grey-beige/grey-beige	86		
	911 522 018 04	Back seat backrest Leather/ Centre part Porsche lettering cloth	/R	1	
	911 522 018 04 QB2	Black/black			
	911 522 018 04 QB6	Blue/blue			
	911 522 018 04 QB4	Brown/brown			
	911 522 018 04 QB8	Burgundy/burgundy			
	911 522 018 04 QA9	Greyish green/grey-green			
(2)	911 522 018 04 RU1	Grey-beige/grey-beige	86		
	911 522 017 04	Back seat backrest Leather/ Centre part in cloth Pin stripe flannel	/L	1	
	911 522 017 04 QB1	Black/anthracite			
	911 522 017 04 QB5	Blue/blue			
	911 522 017 04 QB3	Brown/brown			
	911 522 017 04 QB7	Burgundy/burgundy			
2	911 522 017 04 QA8	Greyish green/grey-green			
	911 522 018 04	Back seat backrest Leather/ Centre part in cloth Pin stripe flannel	/R	1	
	911 522 018 04 QB1	Black/anthracite			
	911 522 018 04 QB5	Blue/blue			
	911 522 018 04 QB3	Brown/brown			
	911 522 018 04 QB7	Burgundy/burgundy			
	911 522 018 04 QA8	Greyish green/grey-green			

Model: STZ Model life 1985>>1998

Pos	Part Number	Description	Remark	Qty	Model
(3)	911 522 017 02	Back seat backrest Leatherette/ Backrest surface Porsche lettering cloth	/L	1	
	911 522 017 02 PX2	Black/black			
	911 522 017 02 PX7	Blue/blue			
	911 522 017 02 PX4	Brown/brown			
	911 522 017 02 PX6	Burgundy/burgundy			
	911 522 017 02 PX8	Greyish green/grey-green			
	911 522 017 02 QD9	Grey-beige/grey-beige	86		
3	911 522 018 02	Back seat backrest Leatherette/ Backrest surface Porsche lettering cloth	/R	1	
	911 522 018 02 PX2	Black/black			
	911 522 018 02 PX7	Blue/blue			
	911 522 018 02 PX4	Brown/brown			
	911 522 018 02 PX6	Burgundy/burgundy			
	911 522 018 02 PX8	Greyish green/grey-green			
	911 522 018 02 QD9	Grey-beige/grey-beige	86		
(3)	911 522 017 02	Back seat backrest Leatherette/ Backrest surface Pin stripe velour	/L	1	
	911 522 017 02 NY5	Black/ Black-white			
	911 522 017 02 QA3	Blue/blue Blue-white			
	911 522 017 02 NY7	Brown/brown Brown-beige			
	911 522 017 02 NY8	Burgundy/ Burgundy-white			
	911 522 017 02 QA4	Greyish green/ Greyish green-white			
	911 522 017 02 RU3	Grey-beige/grey-beige Grey-beige-white	86 86		
3	911 522 018 02	Back seat backrest Leatherette/ Backrest surface Pin stripe velour	/R	1	
	911 522 018 02 NY5	Black/ Black-white			
	911 522 018 02 QA3	Blue/blue Blue-white			
	911 522 018 02 NY7	Brown/brown Brown-beige			
	911 522 018 02 NY8	Burgundy/ Burgundy-white			
	911 522 018 02 QA4	Greyish green/ Greyish green-white			
	911 522 018 02 RU3	Grey-beige/grey-beige Grey-beige-white	86 86		
(3)	911 522 017 02	Back seat backrest Leatherette/ Backrest surface Pin stripe flannel	/L	1	
	911 522 017 02 NY9	Black/antracite			
	911 522 017 02 QA6	Blue/blue			
	911 522 017 02 NZ6	Brown/brown			
	911 522 017 02 NZ5	Burgundy/burgundy			
	911 522 017 02 QA5	Greyish green/grey-green			
3	911 522 018 02	Back seat backrest Leatherette/	/R	1	

Model: STZ Model life 1985>>1998

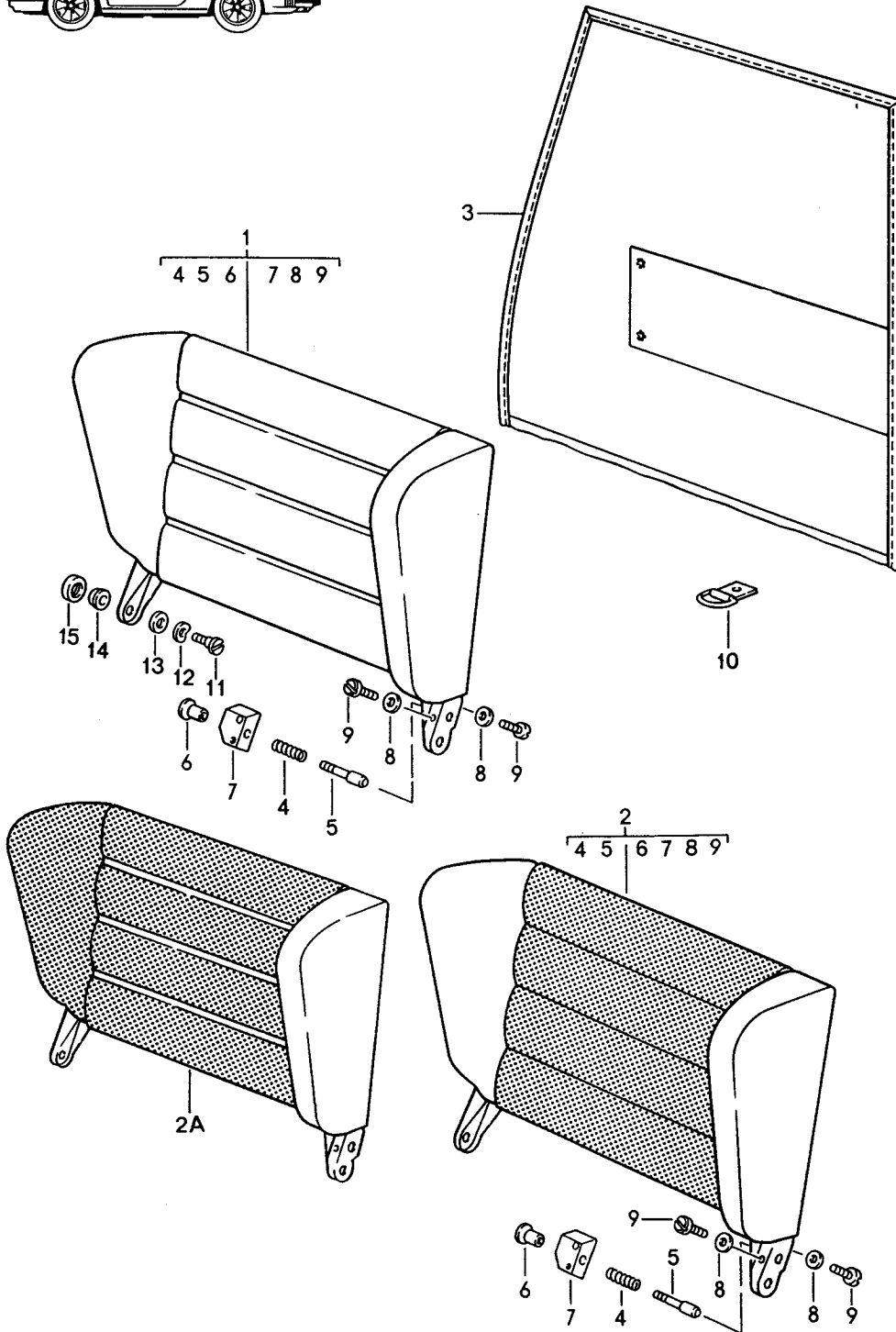
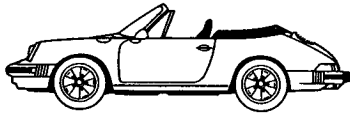
Pos	Part Number	Description	Remark	Qty	Model
		Backrest surface			
		Pin stripe flannel			
	911 522 018 02 NY9	Black/anthracite			
	911 522 018 02 QA6	Blue/blue			
	911 522 018 02 NZ6	Brown/brown			
	911 522 018 02 NZ5	Burgundy/burgundy			
	911 522 018 02 QA5	Greyish green/grey-green			
4	911 522 062 03	Carpet	/R	1	COUPE/TARGA
		Cut pile			TURBO
	911 522 062 03 70E	Black			
	911 522 062 03 30B	Blue			
	911 522 062 03 40E	Brown			
	911 522 062 03 80E	Burgundy			
	911 522 062 03 6JD	Dark green			
	911 522 062 03 1VD	Champagne			
	911 522 062 03 80S	Can-can-red			
	911 522 062 03 60A	Grey			
	911 522 062 03 2FL	Grey-beige	86		
	911 522 062 03 8JK	Greyish green			
	911 522 062 03 2YN	White			
(4)	911 522 061 03	Carpet	/L	1	COUPE/TARGA
		Cut pile			
	911 522 061 03 70E	Black			
	911 522 061 03 30B	Blue			
	911 522 061 03 40E	Brown			
	911 522 061 03 80E	Burgundy			
	911 522 061 03 6JD	Dark green			
	911 522 061 03 1VD	Champagne			
	911 522 061 03 80S	Can-can-red			
	911 522 061 03 60A	Grey			
	911 522 061 03 2FL	Grey-beige	86		
	911 522 061 03 8JK	Greyish green			
	911 522 061 03 2YN	White			
(4)	930 522 061 01	Carpet	/L	1	TURBO
		Cut pile			
		with			
		Logo			
		Turbo			
	930 522 061 01 70E	Black			
	930 522 061 01 30B	Blue			
	930 522 061 01 40E	Brown			
	930 522 061 01 80E	Burgundy			
	930 522 061 01 6JD	Dark green			
	930 522 061 01 1VD	Champagne			
	930 522 061 01 80S	Can-can-red			
	930 522 061 01 60A	Grey			
	930 522 061 01 2FL	Grey-beige	86		
	930 522 061 01 8JK	Greyish green			
	930 522 061 01 2YN	White			
5	900 236 001 07	Oval-head screw		2	
		M 8 X 10			
5	900 236 001 03	Oval-head screw		2	
		M 8 X 10			
6	N 012 230 1	Spring washer		2	
		B 10			
7	901 522 509 20	Bearing sleeve		2	
8	911 559 435 00	Spacer		4	
9	911 645 039 00	Retaining belt		2	
10	911 645 037 00	Retaining belt		2	
		Extension			
-	999 591 802 17	Cap		2	
		Push button			
11	900 143 004 00	Cross-recess screw		2	

Model: STZ Model life 1985>>1998

Pos	Part Number	Description	Remark	Qty	Model
12	999 591 805 12	B 3,5 X 19 Push button		2	
13	911 522 561 60	Intermediate piece		1	
14	900 145 041 07	Tapping screw 3,5 X 16		4	
15	999 591 102 17	Washer 3,5		4	
15	999 591 102 1H	Washer 3,5		4	
16	901 522 365 20	Cap		2	
17	911 522 229 00	Bolt for Locking device F 91GS1 21001>> F 91GS1 60903>> F 93GS0 50437>> F 93GS0 55070>>		2	COUPE TARGA TURBO USA TURBO CDN
18	911 522 233 00	Spring for Release F 91GS1 21001>> F 91GS1 60903>> F 93GS0 50437>> F 93GS0 55070>>		2	COUPE TARGA TURBO USA TURBO CDN
19	911 522 231 00	Knob for Release F 91GS1 21001>> F 91GS1 60903>> F 93GS0 50437>> F 93GS0 55070>>		2	COUPE TARGA TURBO USA TURBO CDN
(20)	911 522 227 01	Bearing for Release F 91GS1 21001>> F 91GS1 60903>> F 93GS0 50437>> F 93GS0 55070>>	/L	2	COUPE TARGA TURBO USA TURBO CDN
20	911 522 228 01	Bearing for Release F 91GS1 21001>> F 91GS1 60903>> F 93GS0 50437>> F 93GS0 55070>>	/R	2	COUPE TARGA TURBO USA TURBO CDN
21	999 523 106 02	Lock washer B 5 F 91GS1 21001>> F 91GS1 60903>> F 93GS0 50437>> F 93GS0 55070>>		4	COUPE TARGA TURBO USA TURBO CDN
22	N 014 133 8	Oval-head screw M 5 X 12 F 91GS1 21001>> F 91GS1 60903>> F 93GS0 50437>> F 93GS0 55070>>		4	COUPE TARGA TURBO USA TURBO CDN

Model: STZ

Model life 1985>>1998



Model: STZ Model life 1985>>1998

Pos	Part Number	Description	Remark	Qty	Model
		Back seat backrest	85-86		911 CABRIO
(1)	911 522 017 60	Back seat backrest Leatherette	/L	1	
	911 522 017 60 43S	Black			
	911 522 017 60 1HH	Blue			
	911 522 017 60 4RB	Brown			
	911 522 017 60 3MK	Burgundy			
	911 522 017 60 4FK	Grey-beige	86		
	911 522 017 60 4JX	Greyish green			
1	911 522 018 60	Back seat backrest Leatherette	/R	1	
	911 522 018 60 43S	Black			
	911 522 018 60 1HH	Blue			
	911 522 018 60 4RB	Brown			
	911 522 018 60 3MK	Burgundy			
	911 522 018 60 4FK	Grey-beige	86		
	911 522 018 60 4JX	Greyish green			
(1)	911 522 017 62	Back seat backrest Whole-leather	/L	1	
	911 522 017 62 KZ2	Black			
	911 522 017 62 KZ3	Blue			
	911 522 017 62 KZ5	Brown			
	911 522 017 62 KZ4	Grey-beige	86		
	911 522 017 62 KZ6	Can-can-red			
	911 522 017 62 LG4	Pearl white			
	911 522 017 62 LG5	Champagne			
	911 522 017 62 LG6	Dark green			
	911 522 017 62 LG7	Burgundy			
	911 522 017 62 QC2	Greyish green			
	911 522 017 62 PY9	Ocean blue			
	911 522 017 62 PZ1	Wild buffalo			
1	911 522 018 62	Back seat backrest Whole-leather	/R	1	
	911 522 018 62 KZ2	Black			
	911 522 018 62 KZ3	Blue			
	911 522 018 62 KZ5	Brown			
	911 522 018 62 KZ4	Grey-beige	86		
	911 522 018 62 KZ6	Can-can-red			
	911 522 018 62 LG4	Pearl white			
	911 522 018 62 LG5	Champagne			
	911 522 018 62 LG6	Dark green			
	911 522 018 62 LG7	Burgundy			
	911 522 018 62 QC2	Greyish green			
	911 522 018 62 PY9	Ocean blue			
	911 522 018 62 PZ1	Wild buffalo			
(2)	911 522 017 61	Back seat backrest Leatherette/ Centre part Porsche lettering cloth	/L	1	
	911 522 017 61 PZ7	Black/black			
	911 522 017 61 PZ9	Blue/blue			
	911 522 017 61 PZ8	Brown/brown			
	911 522 017 61 QA1	Burgundy/burgundy			
	911 522 017 61 QA2	Greyish green/grey-green			
	911 522 017 61 QD8	Grey-beige/grey-beige	86		
2	911 522 018 61	Back seat backrest Leatherette/ Centre part Porsche lettering cloth	/R	1	
	911 522 018 61 PZ7	Black/black			
	911 522 018 61 PZ9	Blue/blue			
	911 522 018 61 PZ8	Brown/brown			

Model: STZ Model life 1985>>1998

Pos	Part Number	Description	Remark	Qty	Model	
(2)	911 522 018 61 QA1	Burgundy/burgundy				
	911 522 018 61 QA2	Greyish green/grey-green				
	911 522 018 61 QD8	Grey-beige/grey-beige	86			
	911 522 017 61	Back seat backrest Leatherette/ Centre part in cloth Pin stripe velour	/L	1		
	911 522 017 61 JN1	Black/ Black-white				
	911 522 017 61 JN2	Brown/ Brown-beige				
	911 522 017 61 LT1	Blue/ Blue-white				
	911 522 017 61 LT2	Burgundy/ Burgundy-white				
	911 522 017 61 PY5	Greyish green/ Greyish green-white				
	911 522 017 61 LD4	Grey-beige/ Grey-beige-white	86			
2	911 522 018 61	Back seat backrest Leatherette/ Centre part in cloth Pin stripe velour	/R	1		
	911 522 018 61 JN1	Black/ Black-white				
	911 522 018 61 JN2	Brown/ Brown-beige				
	911 522 018 61 LT1	Blue/ Blue-white				
	911 522 018 61 LT2	Burgundy/ Burgundy-white				
	911 522 018 61 PY5	Greyish green/ Greyish green-white				
	911 522 018 61 LD4	Grey-beige/ Grey-beige-white	86			
	(2)	911 522 017 61	Back seat backrest Leatherette/ Centre part in cloth Pin stripe flannel	/L	1	
		911 522 017 61 PZ2	Black/anthracite			
		911 522 017 61 PZ3	Brown/brown			
911 522 017 61 PZ4		Blue/blue				
911 522 017 61 PZ5		Burgundy/burgundy				
911 522 017 61 PZ6		Greyish green/grey-green				
2	911 522 018 61	Back seat backrest Leatherette/ Centre part in cloth Pin stripe flannel	/R	1		
	911 522 018 61 PZ2	Black/anthracite				
	911 522 018 61 PZ3	Brown/brown				
	911 522 018 61 PZ4	Blue/blue				
	911 522 018 61 PZ5	Burgundy/burgundy				
	911 522 018 61 PZ6	Greyish green/grey-green				
(2)	911 522 017 63	Back seat backrest Leather/ Centre part in cloth Pin stripe velour	/L	1		
	911 522 017 63 LS5	Black/ Black-white				
	911 522 017 63 LS6	Brown/ Brown-beige				



Model: STZ Model life 1985>>1998

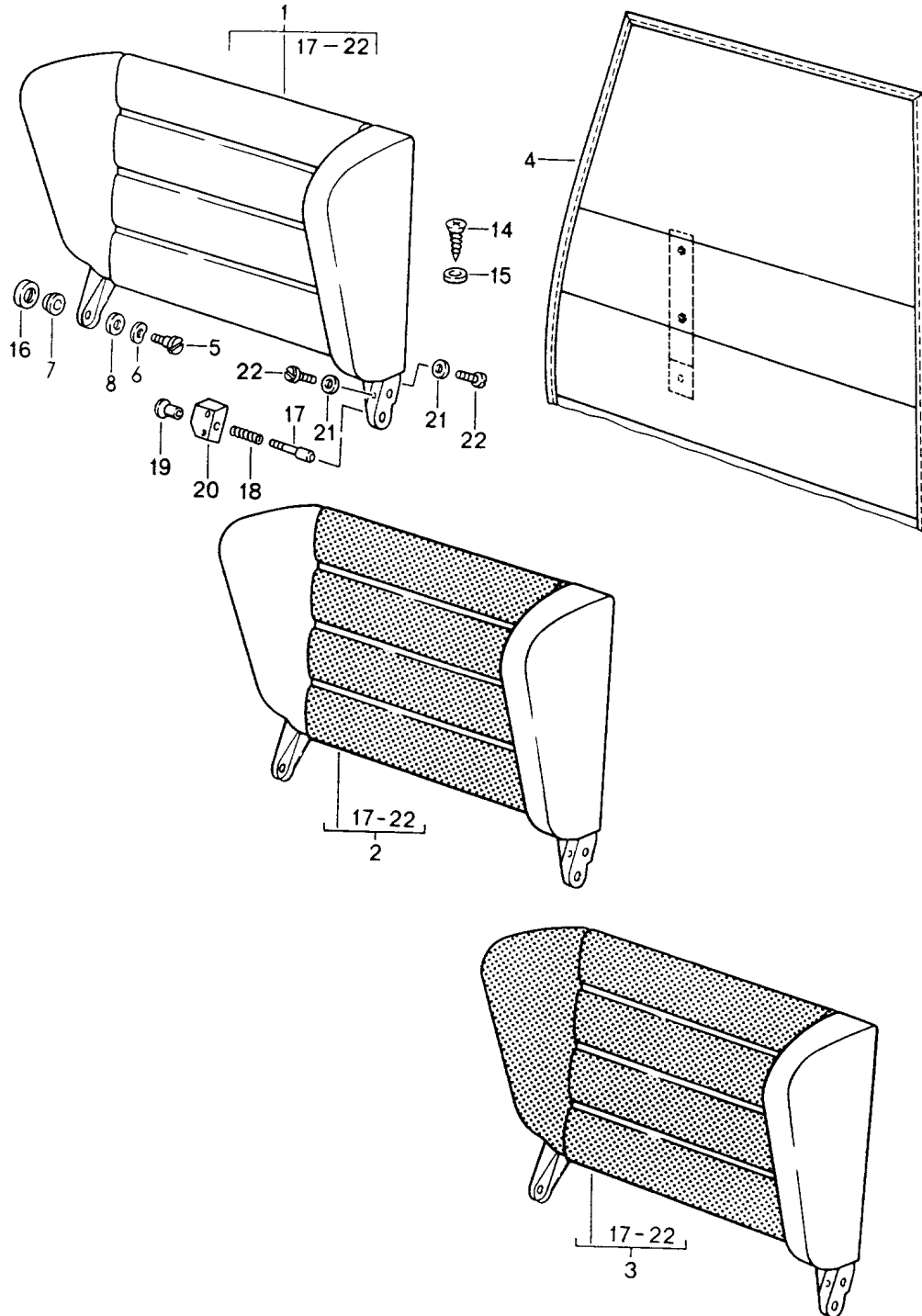
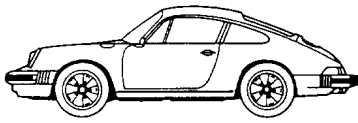
Pos	Part Number	Description	Remark	Qty	Model
	911 522 017 63 LS8	Blue/ Blue-white			
	911 522 017 63 LS9	Burgundy/ Burgundy-white			
	911 522 017 63 QA7	Greyish green/ Greyish green-white			
	911 522 017 63 LS7	Grey-beige/ Grey-beige-white	86		
2	911 522 018 63	Back seat backrest Leather/ Centre part in cloth Pin stripe velour	/R	1	
	911 522 018 63 LS5	Black/ Black-white			
	911 522 018 63 LS6	Brown/ Brown-beige			
	911 522 018 63 LS8	Blue/ Blue-white			
	911 522 018 63 LS9	Burgundy/ Burgundy-white			
	911 522 018 63 QA7	Greyish green/ Greyish green-white			
	911 522 018 63 LS7	Grey-beige/ Grey-beige-white	86		
(2)	911 522 017 63	Back seat backrest Leather/ Centre part in cloth Pin stripe flannel	/L	1	
	911 522 017 63 QB1	Black/anthracite			
	911 522 017 63 QB3	Brown-brown			
	911 522 017 63 QB5	Blue/blue			
	911 522 017 63 QB7	Burgundy/burgundy			
	911 522 017 63 QA8	Greyish green/grey-green			
2	911 522 018 63	Back seat backrest Leather/ Centre part in cloth Pin stripe flannel	/R	1	
	911 522 018 63 QB1	Black/anthracite			
	911 522 018 63 QB3	Brown/brown			
	911 522 018 63 QB5	Blue/blue			
	911 522 018 63 QB7	Burgundy/burgundy			
	911 522 018 63 QA8	Greyish green/grey-green			
(2)	911 522 017 63	Back seat backrest Leather/ Centre part Porsche lettering cloth	/L	1	
	911 522 017 63 QB2	Black/black			
	911 522 017 63 QB4	Brown/brown			
	911 522 017 63 QB6	Blue/blue			
	911 522 017 63 QB8	Burgundy/burgundy			
	911 522 017 63 QA9	Greyish green/grey-green			
	911 522 017 63 RU1	Grey-beige/grey-beige	86		
2	911 522 018 63	Back seat backrest Leather/ Centre part Porsche lettering cloth	/R	1	
	911 522 018 63 QB2	Black/black			
	911 522 018 63 QB4	Brown/brown			
	911 522 018 63 QB6	Blue/blue			
	911 522 018 63 QB8	Burgundy/burgundy			
	911 522 018 63 QA9	Greyish green/grey-green			
	911 522 018 63 RU1	Grey-beige/grey-beige	86		
(3)	911 522 061 60	Carpet	/L	1	

Model: STZ Model life 1985>>1998

Pos	Part Number	Description	Remark	Qty	Model
		for Back seat backrest			
	911 522 061 60 70E	Black			
	911 522 061 60 30B	Blue			
	911 522 061 60 40E	Brown			
	911 522 061 60 80E	Burgundy			
	911 522 061 60 60A	Grey			
	911 522 061 60 8JK	Greyish green			
	911 522 061 60 2FL	Grey-beige	86		
	911 522 061 60 2YN	White			
	911 522 061 60 1VD	Champagne			
	911 522 061 60 6JD	Dark green			
	911 522 061 60 80S	Can-can-red			
3	911 522 062 60	Carpet	/R	1	
		for Back seat backrest			
	911 522 062 60 70E	Black			
	911 522 062 60 30B	Blue			
	911 522 062 60 40E	Brown			
	911 522 062 60 80E	Burgundy			
	911 522 062 60 60A	Grey			
	911 522 062 60 8JK	Greyish green			
	911 522 062 60 2FL	Grey-beige	86		
	911 522 062 60 2YN	White			
	911 522 062 60 1VD	Champagne			
	911 522 062 60 6JD	Dark green			
	911 522 062 60 80S	Can-can-red			
4	911 522 233 00	Spring		2	
5	911 522 229 00	Bolt		2	
6	911 522 231 00	Knob		2	
(7)	911 522 227 01	Bearing	/L	1	
7	911 522 228 01	Bearing	/R	1	
8	999 523 106 02	Lock washer		4	
		B 5			
9	N 014 133 8	Oval-head screw		4	
		M 5 X 12			
10	911 561 493 00	Leather loop		2	
11	900 236 001 07	Oval-head screw		2	
		M 8 X 10			
11	900 236 001 03	Oval-head screw		2	
		M 8 X 10			
12	N 012 230 1	Spring washer		2	
13	911 559 435 00	Spacer		4	
14	901 522 509 20	Bearing sleeve		2	
15	901 522 365 20	Cap		2	

Model: STZ

Model life 1985>>1998



Model: STZ Model life 1985>>1998

Pos	Part Number	Description	Remark	Qty	Model
		Back seat backrest	87-89		911 COUPE TARGA/TURBO
(1)	911 522 017 00	Back seat backrest Leatherette	/L	1	
	911 522 017 00 3MK	Burgundy			
	911 522 017 00 1MX	Mahogany			
	911 522 017 00 43S	Black			
	911 522 017 00 1KX	Marine blue			
	911 522 017 00 4WX	Linen			
	911 522 017 00 4JX	Greyish green	-88		
	911 522 017 00 7RT	Cashmere beige	89		
1	911 522 018 00	Back seat backrest Leatherette	/R	1	
	911 522 018 00 3MK	Burgundy			
	911 522 018 00 1MX	Mahogany			
	911 522 018 00 43S	Black			
	911 522 018 00 1KX	Marine blue			
	911 522 018 00 4WX	Linen			
	911 522 018 00 4JX	Greyish green	-88		
	911 522 018 00 7RT	Cashmere beige	89		
(1)	911 522 017 03	Back seat backrest Whole-leather	/L	1	
	911 522 017 03 KZ2	Black			
	911 522 017 03 TV1	Mahogany			
	911 522 017 03 TS1	Marine blue			
	911 522 017 03 TW1	Linen			
	911 522 017 03 UD3	Plum red	-88		
	911 522 017 03 UD4	Silver-grey	-88		
	911 522 017 03 LG5	Champagne	-88		
	911 522 017 03 UD5	Caramel			
	911 522 017 03 LG7	Burgundy			
	911 522 017 03 QC2	Greyish green	-88		
	911 522 017 03 UD6	Venetian blue			
	911 522 017 03 XN4	Cashmere beige	89		
	911 522 017 03 XN5	Silk grey	89		
	911 522 017 03 XN6	Velvet red	89		
	911 522 017 03 XN7	Slate grey	89		
1	911 522 018 03	Back seat backrest Whole-leather	/R	1	
	911 522 018 03 KZ2	Black			
	911 522 018 03 TV1	Mahogany			
	911 522 018 03 TS1	Marine blue			
	911 522 018 03 TW1	Linen			
	911 522 018 03 UD3	Plum red	-88		
	911 522 018 03 UD4	Silver-grey	-88		
	911 522 018 03 LG5	Champagne	-88		
	911 522 018 03 UD5	Caramel			
	911 522 018 03 LG7	Burgundy			
	911 522 018 03 QC2	Greyish green	-88		
	911 522 018 03 UD6	Venetian blue			
	911 522 018 03 XN4	Cashmere beige	89		
	911 522 018 03 XN5	Silk grey	89		
	911 522 018 03 XN6	Velvet red	89		
	911 522 018 03 XN7	Slate grey	89		
(1)	911 522 017 05	Back seat backrest Draped leather	/L	1	
	911 522 017 05 KZ2	Black			
	911 522 017 05 TV1	Mahogany			
	911 522 017 05 TS1	Marine blue			
	911 522 017 05 TW1	Linen			
	911 522 017 05 UD3	Plum red	-88		
	911 522 017 05 UD4	Silver-grey	-88		
	911 522 017 05 LG5	Champagne	-88		

Model: STZ Model life 1985>>1998

Pos	Part Number	Description	Remark	Qty	Model
	911 522 017 05 UD5	Caramel			
	911 522 017 05 LG7	Burgundy			
	911 522 017 05 QC2	Greyish green	-88		
	911 522 017 05 UD6	Venetian blue			
	911 522 017 05 XN4	Cashmere beige	89		
	911 522 017 05 XN5	Silk grey	89		M098
	911 522 017 05 XN6	Velvet red	89		
	911 522 017 05 XN7	Slate grey	89		
1	911 522 018 05	Back seat backrest Draped leather	/R	1	
	911 522 018 05 KZ2	Black			
	911 522 018 05 TV1	Mahogany			
	911 522 018 05 TS1	Marine blue			
	911 522 018 05 TW1	Linen			
	911 522 018 05 UD3	Plum red	-88		
	911 522 018 05 UD4	Silver-grey	-88		
	911 522 018 05 LG5	Champagne	-88		
	911 522 018 05 UD5	Caramel			
	911 522 018 05 LG7	Burgundy			
	911 522 018 05 QC2	Greyish green	-88		
	911 522 018 05 UD6	Venetian blue			
	911 522 018 05 XN4	Cashmere beige	89		
	911 522 018 05 XN5	Silk grey	89		M098
	911 522 018 05 XN6	Velvet red	89		
	911 522 018 05 XN7	Slate grey	89		
(2)	911 522 017 05	Back seat backrest Draped leather	/L	1	
	911 522 017 05 WR2	Blue metallic	88		JUBI.88 M099 M098
2	911 522 017 05 XN5	Silk grey	89		
	911 522 018 05	Back seat backrest Draped leather	/R	1	
	911 522 018 05 WR2	Blue metallic	88		JUBI.88 M099 M098
(2)	911 522 018 05 XN5	Silk grey	89		
	911 522 017 01	Back seat backrest Leatherette/ Centre part in cloth Pin stripe velour	/L	1	
	911 522 017 01 JN1	Black/ Black-white			
	911 522 017 01 TU4	Mahogany/ Mahogany-white			
	911 522 017 01 TR4	Blue/ Blue-white			
	911 522 017 01 LT2	Burgundy/ Burgundy-white			
	911 522 017 01 PY5	Greyish green/ Greyish green-white	-88		
	911 522 017 01 XH2	Linen/ Linen white	89		
	911 522 017 01 XH7	Cashmere beige/ Cashmere beige-white	89		
2	911 522 018 01	Back seat backrest Leatherette/ Centre part in cloth Pin stripe velour	/R	1	
	911 522 018 01 JN1	Black/ Black-white			
	911 522 018 01 TU4	Mahogany/ Mahogany-white			
	911 522 018 01 TR4	Blue/ Blue-white			

Model: STZ Model life 1985>>1998

Pos	Part Number	Description	Remark	Qty	Model
	911 522 018 01 LT2	Burgundy/ Burgundy-white			
	911 522 018 01 PY5	Greyish green/ Greyish green-white	-88		
	911 522 018 01 XH2	Linen/ Linen white	89		
	911 522 018 01 XH7	Cashmere beige/ Cashmere beige-white	89		
(2)	911 522 017 01	Back seat backrest Leatherette/ Centre part in cloth Multicolour	/L  89	1	
	911 522 017 01 XJ2	Black/black			
	911 522 017 01 XJ3	Mahogany/mahogany			
	911 522 017 01 XJ5	Marine blue/blue			
	911 522 017 01 XJ7	Burgundy/burgundy			
	911 522 017 01 XH6	Linen/linen			
	911 522 017 01 XH9	Cashmere beige/cash. beige			
2	911 522 018 01	Back seat backrest Leatherette/ Centre part in cloth Multicolour	/R  89	1	
	911 522 018 01 XJ2	Black/black			
	911 522 018 01 XJ3	Mahogany/mahogany			
	911 522 018 01 XJ5	Marine blue/blue			
	911 522 018 01 XJ7	Burgundy/burgundy			
	911 522 018 01 XH6	Linen/linen			
	911 522 018 01 XH9	Cashmere beige/cash. beige			
(2)	911 522 017 01	Back seat backrest Leatherette/ Centre part Porsche lettering cloth	/L   89	1	
	911 522 017 01 PZ7	Black/black			
	911 522 017 01 TU6	Mahogany/mahogany			
	911 522 017 01 TR6	Marine blue/blue			
	911 522 017 01 QA1	Burgundy/burgundy			
	911 522 017 01 QA2	Greyish green/grey-green	-88		
	911 522 017 01 XH4	Linen/linen	89		
	911 522 017 01 XH8	Cashmere beige/cash. beige	89		
2	911 522 018 01	Back seat backrest Leatherette/ Centre part Porsche lettering cloth	/R   89	1	
	911 522 018 01 PZ7	Black/black			
	911 522 018 01 TU6	Mahogany/mahogany			
	911 522 018 01 TR6	Marine blue/blue			
	911 522 018 01 QA1	Burgundy/burgundy			
	911 522 018 01 QA2	Greyish green/grey-green	-88		
	911 522 018 01 XH4	Linen/linen	89		
	911 522 018 01 XH8	Cashmere beige/cash. beige	89		
(2)	911 522 017 01	Back seat backrest Leatherette/ Centre part in cloth Pin stripe flannel	/L   -88	1	
	911 522 017 01 PZ2	Black/anthracite			
	911 522 017 01 TU5	Mahogany/mahogany			
	911 522 017 01 TR5	Marine blue/blue			
	911 522 017 01 PZ5	Burgundy/burgundy			
	911 522 017 01 PZ6	Greyish green/grey-green			
2	911 522 018 01	Back seat backrest Leatherette/ Centre part in cloth Pin stripe flannel	/R   -88	1	

Model: STZ Model life 1985&gt;&gt;1998

Pos	Part Number	Description	Remark	Qty	Model
	911 522 018 01 PZ2	Black/anthracite			
	911 522 018 01 TU5	Mahogany/mahogany			
	911 522 018 01 TR5	Marine blue/blue			
	911 522 018 01 PZ5	Burgundy/burgundy			
	911 522 018 01 PZ6	Greyish green/grey-green			
(2)	911 522 017 04	Back seat backrest Leather/ Centre part in cloth Pin stripe velour	/L	1	
	911 522 017 04 LS5	Black/ Black-white			
	911 522 017 04 TU1	Mahogany/ Mahogany-white			
	911 522 017 04 TR1	Blue/ Blue-white			
	911 522 017 04 LS9	Burgundy/ Burgundy-white			
	911 522 017 04 QA7	Greyish green/ Greyish green-white	-88		
	911 522 017 04 XF5	Linen/ Linen white	89		
	911 522 017 04 XF8	Cashmere beige/ Cashmere beige-white	89		
2	911 522 018 04	Back seat backrest Leather/ Centre part in cloth Pin stripe velour	/R	1	
	911 522 018 04 LS5	Black/ Black-white			
	911 522 018 04 TU1	Mahogany/ Mahogany-white			
	911 522 018 04 TR1	Blue/ Blue-white			
	911 522 018 04 LS9	Burgundy/ Burgundy-white			
	911 522 018 04 QA7	Greyish green/ Greyish green-white	-88		
	911 522 018 04 XF5	Linen/ Linen white	89		
	911 522 018 04 XF8	Cashmere beige/ Cashmere beige-white	89		
(2)	911 522 017 04	Back seat backrest Leather/ Centre part in cloth Multicolour	/L	1	
	911 522 017 04 XG6	Black/black	89		
	911 522 017 04 XG7	Mahogany/mahogany			
	911 522 017 04 XG8	Marine blue/blue			
	911 522 017 04 XG9	Burgundy/burgundy			
	911 522 017 04 XF7	Linen/linen			
	911 522 017 04 XG5	Cashmere beige/cash. beige			
2	911 522 018 04	Back seat backrest Leather/ Centre part in cloth Multicolour	/R	1	
	911 522 018 04 XG6	Black/black	89		
	911 522 018 04 XG7	Mahogany/mahogany			
	911 522 018 04 XG8	Marine blue/marine blue			
	911 522 018 04 XG9	Burgundy/burgundy			
	911 522 018 04 XF7	Linen/linen			
	911 522 018 04 XG5	Cashmere beige/cash. beige			
(2)	911 522 017 04	Back seat backrest Leather/	/L	1	

Model: STZ Model life 1985>>1998

Pos	Part Number	Description	Remark	Qty	Model
		Centre part			
		Porsche lettering cloth			
	911 522 017 04 QB2	Black/black			
	911 522 017 04 TU3	Mahogany/mahogany			
	911 522 017 04 TR3	Marine blue/blue			
	911 522 017 04 QB8	Burgundy/burgundy			
	911 522 017 04 QA9	Greyish green/grey-green	-88		
	911 522 017 04 XF6	Linen/linen	89		
	911 522 017 04 XF9	Cashmere beige/cash. beige	89		
2	911 522 018 04	Back seat backrest	/R	1	
		Leather/			
		Centre part			
		Porsche lettering cloth			
	911 522 018 04 QB2	Black/black			
	911 522 018 04 TU3	Mahogany/mahogany			
	911 522 018 04 TR3	Marine blue/blue			
	911 522 018 04 QB8	Burgundy/burgundy			
	911 522 018 04 QA9	Greyish green/grey-green	-88		
	911 522 018 04 XF6	Linen/linen	89		
	911 522 018 04 XF9	Cashmere beige/cash. beige	89		
(2)	911 522 017 04	Back seat backrest	/L	1	
		Leather/			
		Centre part in cloth			
		Pin stripe flannel	-88		
	911 522 017 04 QB1	Black/anthracite			
	911 522 017 04 TU2	Mahogany/mahogany			
	911 522 017 04 TR2	Marine blue/blue			
	911 522 017 04 QB7	Burgundy/burgundy			
	911 522 017 04 QA8	Greyish green/grey-green			
2	911 522 018 04	Back seat backrest	/R	1	
		Leather/			
		Centre part in cloth			
		Pin stripe flannel	-88		
	911 522 018 04 QB1	Black/anthracite			
	911 522 018 04 TU2	Mahogany/mahogany			
	911 522 018 04 TR2	Marine blue/blue			
	911 522 018 04 QB7	Burgundy/burgundy			
	911 522 018 04 QA8	Greyish green/grey-green			
(3)	911 522 017 02	Back seat backrest	/L	1	
		Leatherette/			
		Backrest surface			
		Porsche lettering cloth			
	911 522 017 02 PX2	Black/black			
	911 522 017 02 TU9	Mahogany/mahogany			
	911 522 017 02 TR9	Marine blue/blue			
	911 522 017 02 PX6	Burgundy/burgundy			
	911 522 017 02 PX8	Greyish green/grey-green	-88		
	911 522 017 02 XK3	Linen/linen	89		
	911 522 017 02 XK6	Cashmere beige/cash. beige	89		
3	911 522 018 02	Back seat backrest	/R	1	
		Leatherette/			
		Backrest surface			
		Porsche lettering cloth			
	911 522 018 02 PX2	Black/black			
	911 522 018 02 TU9	Mahogany/mahogany			
	911 522 018 02 TR9	Marine blue/blue			
	911 522 018 02 PX6	Burgundy/burgundy			
	911 522 018 02 PX8	Greyish green/grey-green	-88		
	911 522 018 02 XK3	Linen/linen	89		
	911 522 018 02 XK6	Cashmere beige/cash. beige	89		
(3)	911 522 017 02	Back seat backrest	/L	1	
		Leatherette/			
		Backrest surface			



Model: STZ Model life 1985>>1998

Pos	Part Number	Description	Remark	Qty	Model
	911 522 017 02 NY5	Pin stripe velour Black/ Black-white			
	911 522 017 02 TU7	Mahogany/ Mahogany-white			
	911 522 017 02 TR7	Blue/ Blue-white			
	911 522 017 02 NY8	Burgundy/ Burgundy-white			
	911 522 017 02 QA4	Greyish green/ Greyish green-white	-88		
	911 522 017 02 XK2	Linen/ Linen white			
	911 522 017 02 XK5	Cashmere beige/ Cashmere beige-white			
3	911 522 018 02	Back seat backrest Leatherette/ Backrest surface Pin stripe velour	/R	1	
	911 522 018 02 NY5	Black/ Black-white			
	911 522 018 02 TU7	Mahogany/ Mahogany-white			
	911 522 018 02 TR7	Blue/ Blue-white			
	911 522 018 02 NY8	Burgundy/ Burgundy-white			
	911 522 018 02 QA4	Greyish green/ Greyish green-white	-88		
	911 522 018 02 XK2	Linen/ Linen white			
	911 522 018 02 XK5	Cashmere beige/ Cashmere beige-white			
(3)	911 522 017 02	Back seat backrest Leatherette/ Backrest surface Pin stripe flannel	/L -88	1	
	911 522 017 02 NY9	Black/anthracite			
	911 522 017 02 TU8	Mahogany/mahogany			
	911 522 017 02 TR8	Marine blue/blue			
	911 522 017 02 NZ5	Burgundy/burgundy			
	911 522 017 02 QA5	Greyish green/grey-green			
3	911 522 018 02	Back seat backrest Leatherette/ Backrest surface Pin stripe flannel	/R -88	1	
	911 522 018 02 NY9	Black/anthracite			
	911 522 018 02 TU8	Mahogany/mahogany			
	911 522 018 02 TR8	Marine blue/blue			
	911 522 018 02 NZ5	Burgundy/burgundy			
	911 522 018 02 QA5	Greyish green/grey-green			
(3)	911 522 017 02	Back seat backrest Leatherette/ Backrest surface Multicolour	/L 89	1	
	911 522 017 02 XK8	Black/black			
	911 522 017 02 XK9	Mahogany/mahogany			
	911 522 017 02 XN1	Marine blue/blue			
	911 522 017 02 XN2	Burgundy/burgundy			
	911 522 017 02 XK4	Linen/linen			
	911 522 017 02 XK7	Cashmere beige/cash. beige	89		
3	911 522 018 02	Back seat backrest Leatherette/	/R	1	

Model: STZ Model life 1985>>1998

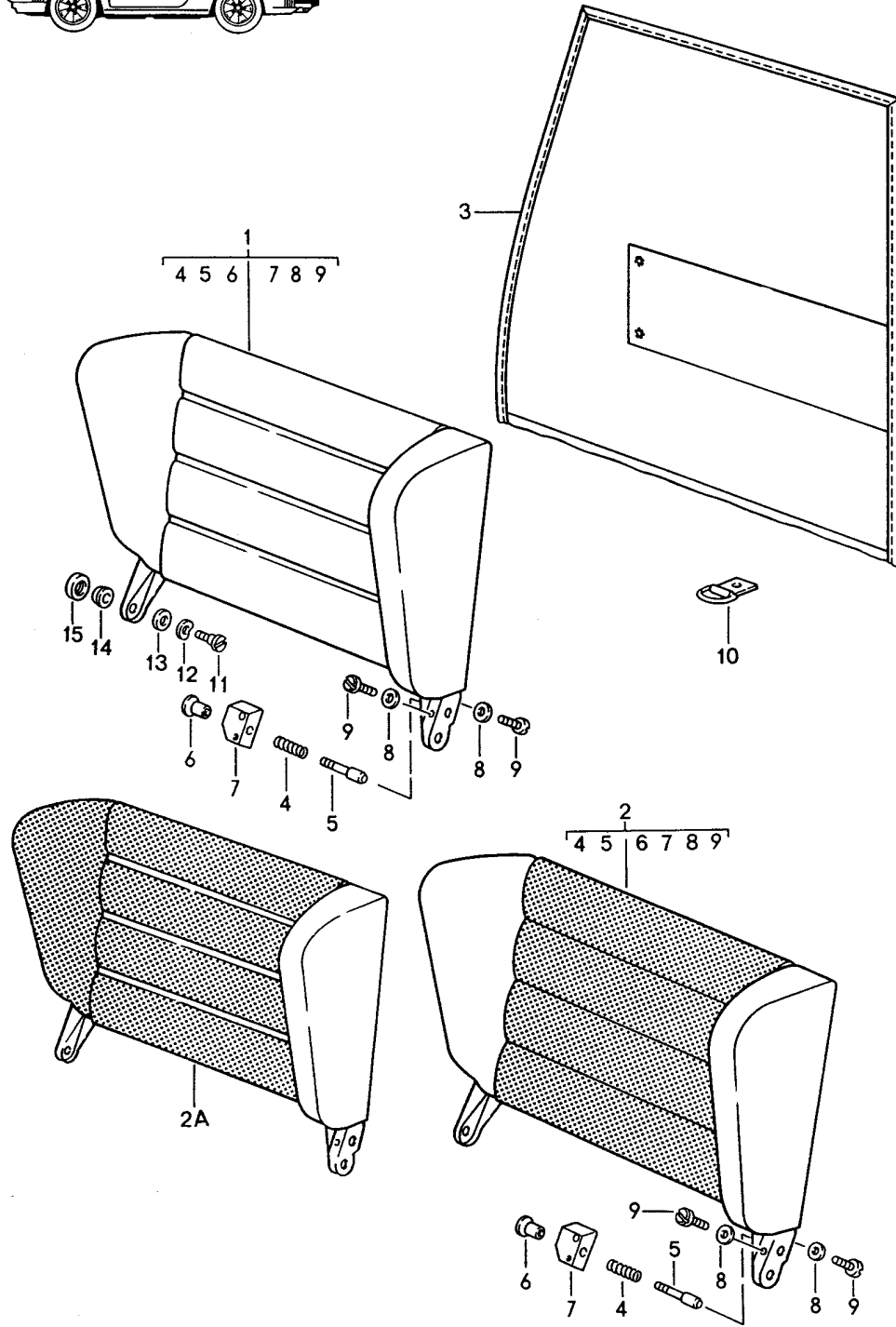
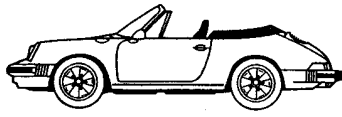
Pos	Part Number	Description	Remark	Qty	Model
		Backrest surface Multicolour	89		
	911 522 018 02 XK8	Black/black			
	911 522 018 02 XK9	Mahogany/mahogany			
	911 522 018 02 XN1	Marine blue/marine blue			
	911 522 018 02 XN2	Burgundy/burgundy			
	911 522 018 02 XK4	Linen/linen			
	911 522 018 02 XK7	Cashmere beige/cash. beige	89		
4	911 522 062 03	Carpet for Back seat backrest	/R	1	COUPE/TARGA TURBO
	911 522 062 03 70E	Black	-88		
	911 522 062 03 5FV	Black	89		
	911 522 062 03 5MF	Mahogany			
	911 522 062 03 3KF	Marine blue	-88		
	911 522 062 03 4KV	Marine blue	89		
	911 522 062 03 80E	Burgundy	-88		
	911 522 062 03 8MD	Burgundy	89		
	911 522 062 03 3KM	Venetian blue	-88		
	911 522 062 03 1VD	Champagne	-88		
	911 522 062 03 5UM	Caramel	-88		
	911 522 062 03 2XF	Linen			
	911 522 062 03 8JK	Greyish green	-88		
	911 522 062 03 7VM	Silver-grey	-88		
	911 522 062 03 8UT	Cashmere beige	89		
	911 522 062 03 6HM	Silver-blue	88		JUBI.88 M099 M098
	911 522 062 03 7VT	Silk grey	89		
	911 522 062 03 9MT	Velvet red	89		
	911 522 062 03 3WT	Slate grey	89		
(4)	911 522 061 03	Carpet for Back seat backrest	/L	1	COUPE/TARGA
	911 522 061 03 70E	Black	-88		
	911 522 061 03 5FV	Black	89		
	911 522 061 03 5MF	Mahogany			
	911 522 061 03 3KF	Marine blue	-88		
	911 522 061 03 4KV	Marine blue	89		
	911 522 061 03 80E	Burgundy	-88		
	911 522 061 03 8MD	Burgundy	89		
	911 522 061 03 3KM	Venetian blue	-88		
	911 522 061 03 1VD	Champagne	-88		
	911 522 061 03 5UM	Caramel	-88		
	911 522 061 03 2XF	Linen			
	911 522 061 03 8JK	Greyish green	-88		
	911 522 061 03 7VM	Silver-grey	-88		
	911 522 061 03 8UT	Cashmere beige	89		
	911 522 061 03 6HM	Silver-blue	88		JUBI.88 M099 M098
	911 522 061 03 7VT	Silk grey	89		
	911 522 061 03 9MT	Velvet red	89		
	911 522 061 03 3WT	Slate grey	89		
(4)	930 522 061 01	Carpet for Back seat backrest with Logo Turbo	/L	1	TURBO
	930 522 061 01 70E	Black	-88		
	930 522 061 01 5FV	Black	89		
	930 522 061 01 5MF	Mahogany			
	930 522 061 01 3KF	Marine blue	-88		
	930 522 061 01 4KV	Marine blue	89		

Model: STZ Model life 1985>>1998

Pos	Part Number	Description	Remark	Qty	Model
	930 522 061 01 80E	Burgundy	-88		
	930 522 061 01 8MD	Burgundy	89		
	930 522 061 01 3KM	Venetian blue	-88		
	930 522 061 01 1VD	Champagne	-88		
	930 522 061 01 5UM	Caramel	-88		
	930 522 061 01 2XF	Linen			
	930 522 061 01 8JK	Greyish green	-88		
	930 522 061 01 7VM	Silver-grey	-88		
	930 522 061 01 8UT	Cashmere beige	89		
	930 522 061 01 9MT	Velvet red	89		
	930 522 061 01 3WT	Slate grey	89		
5	900 236 001 07	Oval-head screw M 8 X 10		2	
5	900 236 001 03	Oval-head screw M 8 X 10		2	
6	N 012 230 1	Spring washer B 10		2	
7	901 522 509 20	Bearing sleeve		2	
8	911 559 435 00	Spacer		4	
14	900 145 041 07	Tapping screw 3,5 X 16		4	
15	999 591 102 17	Washer 3,5		4	
15	999 591 102 1H	Washer 3,5		4	
16	901 522 365 20	Cap		2	
17	911 522 229 01	Bolt		2	
18	911 522 233 00	Spring		2	
19	911 522 231 00	Knob		2	
(20)	911 522 227 01	Bearing	/L	1	
20	911 522 228 01	Bearing	/R	1	
21	999 523 106 02	Lock washer B 5		4	
22	N 014 133 8	Oval-head screw M 5 X 12		4	

Model: STZ

Model life 1985>>1998



Model: STZ Model life 1985>>1998

Pos	Part Number	Description	Remark	Qty	Model
		Back seat backrest	87-89		911 CABRIO
(1)	911 522 017 60	Back seat backrest Leatherette	/L	1	
	911 522 017 60 43S	Black			
	911 522 017 60 1MX	Mahogany			
	911 522 017 60 1KX	Marine blue			
	911 522 017 60 3MK	Burgundy			
	911 522 017 60 4WX	Linen			
	911 522 017 60 4JX	Greyish green	-88		
	911 522 017 60 7RT	Cashmere beige	89		
1	911 522 018 60	Back seat backrest Leatherette	/R	1	
	911 522 018 60 43S	Black			
	911 522 018 60 1MX	Mahogany			
	911 522 018 60 1KX	Marine blue			
	911 522 018 60 3MK	Burgundy			
	911 522 018 60 4WX	Linen			
	911 522 018 60 4JX	Greyish green	-88		
	911 522 018 60 7RT	Cashmere beige	89		
(1)	911 522 017 62	Back seat backrest Whole-leather	/L	1	
	911 522 017 62 KZ2	Black			
	911 522 017 62 TV1	Mahogany			
	911 522 017 62 TS1	Marine blue			
	911 522 017 62 TW1	Linen			
	911 522 017 62 UD3	Plum red	-88		
	911 522 017 62 UD4	Silver-grey	-88		
	911 522 017 62 LG5	Champagne	-88		
	911 522 017 62 UD5	Caramel			
	911 522 017 62 LG7	Burgundy			
	911 522 017 62 QC2	Greyish green	-88		
	911 522 017 62 UD6	Venetian blue			
	911 522 017 62 XN4	Cashmere beige	89		
	911 522 017 62 XN5	Silk grey	89		
	911 522 017 62 XN6	Velvet red	89		
	911 522 017 62 XN7	Slate grey	89		
1	911 522 018 62	Back seat backrest Whole-leather	/R	1	
	911 522 018 62 KZ2	Black			
	911 522 018 62 TV1	Mahogany			
	911 522 018 62 TS1	Marine blue			
	911 522 018 62 TW1	Linen			
	911 522 018 62 UD3	Plum red	-88		
	911 522 018 62 UD4	Silver-grey	-88		
	911 522 018 62 LG5	Champagne	-88		
	911 522 018 62 UD5	Caramel			
	911 522 018 62 LG7	Burgundy			
	911 522 018 62 QC2	Greyish green	-88		
	911 522 018 62 UD6	Venetian blue			
	911 522 018 62 XN4	Cashmere beige	89		
	911 522 018 62 XN5	Silk grey	89		
	911 522 018 62 XN6	Velvet red	89		
	911 522 018 62 XN7	Slate grey	89		
(1)	911 522 017 64	Back seat backrest Draped leather	/L	1	
	911 522 017 64 KZ2	Black			
	911 522 017 64 TV1	Mahogany			
	911 522 017 64 TS1	Marine blue			
	911 522 017 64 TW1	Linen			
	911 522 017 64 UD3	Plum red	-88		
	911 522 017 64 UD4	Silver-grey	-88		
	911 522 017 64 LG5	Champagne	-88		

Model: STZ Model life 1985>>1998

Pos	Part Number	Description	Remark	Qty	Model
	911 522 017 64 UD5	Caramel			
	911 522 017 64 LG7	Burgundy			
	911 522 017 64 QC2	Greyish green	-88		
	911 522 017 64 UD6	Venetian blue			
	911 522 017 64 XN4	Cashmere beige	89		
	911 522 017 64 XN5	Silk grey	89		M098
	911 522 017 64 XN6	Velvet red	89		
	911 522 017 64 XN7	Slate grey	89		
1	911 522 018 64	Back seat backrest Draped leather	/R	1	
	911 522 018 64 KZ2	Black			
	911 522 018 64 TV1	Mahogany			
	911 522 018 64 TS1	Marine blue			
	911 522 018 64 TW1	Linen			
	911 522 018 64 UD3	Plum red	-88		
	911 522 018 64 UD4	Silver-grey	-88		
	911 522 018 64 LG5	Champagne	-88		
	911 522 018 64 UD5	Caramel			
	911 522 018 64 LG7	Burgundy			
	911 522 018 64 QC2	Greyish green	-88		
	911 522 018 64 UD6	Venetian blue			
	911 522 018 64 XN4	Cashmere beige	89		
	911 522 018 64 XN5	Silk grey	89		M098
	911 522 018 64 XN6	Velvet red	89		
	911 522 018 64 XN7	Slate grey	89		
(1)	911 522 017 64	Back seat backrest Draped leather	/L	1	
	911 522 017 64 WR2	Blue metallic	88		JUBI.88 M099 M098
1	911 522 017 64 XN5	Silk grey	89		
	911 522 018 64	Back seat backrest Draped leather	/R	1	
	911 522 018 64 WR2	Blue metallic	88		JUBI.88 M099 M098
(2)	911 522 018 64 XN5	Silk grey	89		
	911 522 017 61	Back seat backrest Leatherette/ Centre part Porsche lettering cloth	/L	1	
	911 522 017 61 PZ7	Black/black			
	911 522 017 61 TU6	Mahogany/mahogany			
	911 522 017 61 TR6	Marine blue/blue			
	911 522 017 61 QA1	Burgundy/burgundy			
	911 522 017 61 QA2	Greyish green/grey-green	-88		
	911 522 017 61 XH4	Linen/linen	89		
	911 522 017 61 XH8	Cashmere beige/cash. beige	89		
2	911 522 018 61	Back seat backrest Leatherette/ Centre part Porsche lettering cloth	/R	1	
	911 522 018 61 PZ7	Black/black			
	911 522 018 61 TU6	Mahogany/mahogany			
	911 522 018 61 TR6	Marine blue/blue			
	911 522 018 61 QA1	Burgundy/burgundy			
	911 522 018 61 QA2	Greyish green/grey-green	-88		
	911 522 018 61 XH4	Linen/linen	89		
	911 522 018 61 XH8	Cashmere beige/cash. beige	89		
(2)	911 522 017 61	Back seat backrest Leatherette/ Centre part in cloth Pin stripe velour	/L	1	
	911 522 017 61 JN1	Black/ Black-white			

Model: STZ Model life 1985>>1998

Pos	Part Number	Description	Remark	Qty	Model
	911 522 017 61 TU4	Mahogany/ Mahogany-white			
	911 522 017 61 TR4	Blue/ Blue-white			
	911 522 017 61 LT2	Burgundy/ Burgundy-white			
	911 522 017 61 PY5	Greyish green/ Greyish green-white	-88		
	911 522 017 61 XH2	Linen/ Linen white	89		
	911 522 017 61 XH7	Cashmere beige/ Cashmere beige-white	89		
2	911 522 018 61	Back seat backrest Leatherette/ Centre part in cloth Pin stripe velour	/R	1	
	911 522 018 61 JN1	Black/ Black-white			
	911 522 018 61 TU4	Mahogany/ Mahogany-white			
	911 522 018 61 TR4	Blue/ Blue-white			
	911 522 018 61 LT2	Burgundy/ Burgundy-white			
	911 522 018 61 PY5	Greyish green/ Greyish green-white	-88		
	911 522 018 61 XH2	Linen/ Linen white	89		
	911 522 018 61 XH7	Cashmere beige/ Cashmere beige-white	89		
(2)	911 522 017 61	Back seat backrest Leatherette/ Centre part in cloth Pin stripe flannel	/L -88	1	
	911 522 017 61 PZ2	Black/anthracite			
	911 522 017 61 TU5	Mahogany/mahogany			
	911 522 017 61 TR5	Marine blue/blue			
	911 522 017 61 PZ5	Burgundy/burgundy			
	911 522 017 61 PZ6	Greyish green/grey-green			
2	911 522 018 61	Back seat backrest Leatherette/ Centre part in cloth Pin stripe flannel	/R -88	1	
	911 522 018 61 PZ2	Black/anthracite			
	911 522 018 61 TU5	Mahogany/mahogany			
	911 522 018 61 TR5	Marine blue/blue			
	911 522 018 61 PZ5	Burgundy/burgundy			
	911 522 018 61 PZ6	Greyish green/grey-green			
(2)	911 522 017 61	Back seat backrest Leatherette/ Centre part in cloth Multicolour	/L 89	1	
	911 522 017 61 XJ2	Black/black			
	911 522 017 61 XJ3	Mahogany/mahogany			
	911 522 017 61 XJ5	Marine blue/blue			
	911 522 017 61 XJ7	Burgundy/burgundy			
	911 522 017 61 XH6	Linen/linen			
	911 522 017 61 XH9	Cashmere beige/cash. beige			
2	911 522 018 61	Back seat backrest Leatherette/ Centre part in cloth Multicolour	/R 89	1	
	911 522 018 61 XJ2	Black/black			

Model: STZ

Model life 1985&gt;&gt;1998

Pos	Part Number	Description	Remark	Qty	Model
	911 522 018 61 XJ3	Mahogany/mahogany			
	911 522 018 61 XJ5	Marine blue/marine blue			
	911 522 018 61 XJ7	Burgundy/burgundy			
	911 522 018 61 XH6	Linen/linen			
	911 522 018 61 XH9	Cashmere beige/cash. beige			
(2)	911 522 017 63	Back seat backrest Leather/ Centre part in cloth Pin stripe velour	/L	1	
	911 522 017 63 LS5	Black/ Black-white			
	911 522 017 63 TU1	Mahogany/ Mahogany-white			
	911 522 017 63 TR1	Blue/ Blue-white			
	911 522 017 63 LS9	Burgundy/ Burgundy-white			
	911 522 017 63 QA7	Greyish green/ Greyish green-white	-88		
	911 522 017 63 XF5	Linen/ Linen white	89		
	911 522 017 63 XF8	Cashmere beige/ Cashmere beige-white	89		
2	911 522 018 63	Back seat backrest Leather/ Centre part in cloth Pin stripe velour	/R	1	
	911 522 018 63 LS5	Black/ Black-white			
	911 522 018 63 TU1	Mahogany/ Mahogany-white			
	911 522 018 63 TR1	Blue/ Blue-white			
	911 522 018 63 LS9	Burgundy/ Burgundy-white			
	911 522 018 63 QA7	Greyish green/ Greyish green-white	-88		
	911 522 018 63 XF5	Linen/ Linen white	89		
	911 522 018 63 XF8	Cashmere beige/ Cashmere beige-white	89		
(2)	911 522 017 63	Back seat backrest Leather/ Centre part in cloth Pin stripe flannel	/L	1	
	911 522 017 63 QB1	Black/anthracite	-88		
	911 522 017 63 TU2	Mahogany/mahogany			
	911 522 017 63 TR2	Marine blue/blue			
	911 522 017 63 QB7	Burgundy/burgundy			
	911 522 017 63 QA8	Greyish green/grey-green			
2	911 522 018 63	Back seat backrest Leather/ Centre part in cloth Pin stripe flannel	/R	1	
	911 522 018 63 QB1	Black/anthracite	-88		
	911 522 018 63 TU2	Mahogany/mahogany			
	911 522 018 63 TR2	Marine blue/blue			
	911 522 018 63 QB7	Burgundy/burgundy			
	911 522 018 63 QA8	Greyish green/grey-green			
(2)	911 522 017 63	Back seat backrest Leather/ Centre part in cloth Multicolour	/L	1	
			89		



Model: STZ Model life 1985>>1998

Pos	Part Number	Description	Remark	Qty	Model
	911 522 017 63 XG6	Black/black			
	911 522 017 63 XG7	Mahogany/mahogany			
	911 522 017 63 XG8	Marine blue/blue			
	911 522 017 63 XG9	Burgundy/burgundy			
	911 522 017 63 XF7	Linen/linen			
	911 522 017 63 XG5	Cashmere beige/cash. beige	89		
2	911 522 018 63	Back seat backrest	/R	1	
		Leather/ Centre part in cloth			
		Multicolour	89		
	911 522 018 63 XG6	Black/black			
	911 522 018 63 XG7	Mahogany/mahogany			
	911 522 018 63 XG8	Marine blue/marine blue			
	911 522 018 63 XG9	Burgundy/burgundy			
	911 522 018 63 XF7	Linen/linen			
	911 522 018 63 XG5	Cashmere beige/cash. beige	89		
(2)	911 522 017 63	Back seat backrest	/L	1	
		Leather/ Centre part			
		Porsche lettering cloth			
	911 522 017 63 QB2	Black/black			
	911 522 017 63 TU3	Mahogany/mahogany			
	911 522 017 63 TR3	Marine blue/blue			
	911 522 017 63 QB8	Burgundy/burgundy			
	911 522 017 63 QA9	Greyish green/grey-green	-88		
	911 522 017 63 XF6	Linen/linen	89		
	911 522 017 63 XF9	Cashmere beige/cash. beige	89		
2	911 522 018 63	Back seat backrest	/R	1	
		Leather/ Centre part			
		Porsche lettering cloth			
	911 522 018 63 QB2	Black/black			
	911 522 018 63 TU3	Mahogany/mahogany			
	911 522 018 63 TR3	Marine blue/blue			
	911 522 018 63 QB8	Burgundy/burgundy			
	911 522 018 63 QA9	Greyish green/grey-green	-88		
	911 522 018 63 XF6	Linen/linen	89		
	911 522 018 63 XF9	Cashmere beige/cash. beige	89		
(2A)	911 522 017 65	Back seat backrest	/L	1	
		Leatherette/ Backrest surface			
		Porsche lettering cloth			
	911 522 017 65 PX2	Black/black			
	911 522 017 65 TU9	Mahogany/mahogany			
	911 522 017 65 TR9	Marine blue/blue			
	911 522 017 65 PX6	Burgundy/burgundy			
	911 522 017 65 PX8	Greyish green/grey-green	-88		
	911 522 017 65 XK3	Linen/linen	89		
	911 522 017 65 XK6	Cashmere beige/cash. beige	89		
2A	911 522 018 65	Back seat backrest	/R	1	
		Leatherette/ Backrest surface			
		Porsche lettering cloth			
	911 522 018 65 PX2	Black/black			
	911 522 018 65 TU9	Mahogany/mahogany			
	911 522 018 65 TR9	Marine blue/blue			
	911 522 018 65 PX6	Burgundy/burgundy			
	911 522 018 65 PX8	Greyish green/grey-green	-88		
	911 522 018 65 XK3	Linen/linen	89		
	911 522 018 65 XK6	Cashmere beige/cash. beige	89		
(2A)	911 522 017 65	Back seat backrest	/L	1	
		Leatherette/ Backrest surface			

Model: STZ Model life 1985>>1998

Pos	Part Number	Description	Remark	Qty	Model
	911 522 017 65 NY5	Pin stripe velour Black/ Black-white			
	911 522 017 65 TU7	Mahogany/ Mahogany-white			
	911 522 017 65 TR7	Blue/ Blue-white			
	911 522 017 65 NY8	Burgundy/ Burgundy-white			
	911 522 017 65 QA4	Greyish green/ Greyish green-white	-88		
	911 522 017 65 XK2	Linen/ Linen white	89		
	911 522 017 65 XK5	Cashmere beige/ Cashmere beige-white	89		
2A	911 522 018 65	Back seat backrest Leatherette/ Backrest surface Pin stripe velour	/R	1	
	911 522 018 65 NY5	Black/ Black-white			
	911 522 018 65 TU7	Mahogany/ Mahogany-white			
	911 522 018 65 TR7	Blue/ Blue-white			
	911 522 018 65 NY8	Burgundy/ Burgundy-white			
	911 522 018 65 QA4	Greyish green/ Greyish green-white	-88		
	911 522 018 65 XK2	Linen/ Linen white	89		
	911 522 018 65 XK5	Cashmere beige/ Cashmere beige-white	89		
(2A)	911 522 017 65	Back seat backrest Leatherette/ Backrest surface Pin stripe flannel	/L  -88	1	
	911 522 017 65 NY9	Black/black			
	911 522 017 65 TU8	Mahogany/mahogany			
	911 522 017 65 TR8	Marine blue/blue			
	911 522 017 65 NZ5	Burgundy/burgundy			
	911 522 017 65 QA5	Greyish green/grey-green			
2A	911 522 018 65	Back seat backrest Leatherette/ Backrest surface Pin stripe flannel	/R  -88	1	
	911 522 018 65 NY9	Black/anthracite			
	911 522 018 65 TU8	Mahogany/mahogany			
	911 522 018 65 TR8	Marine blue/blue			
	911 522 018 65 NZ5	Burgundy/burgundy			
	911 522 018 65 QA5	Greyish green/grey-green			
(2A)	911 522 017 65	Back seat backrest Leatherette/ Backrest surface Multicolour	/L  89	1	
	911 522 017 65 XK8	Black/black			
	911 522 017 65 XK9	Mahogany/mahogany			
	911 522 017 65 XN1	Marine blue/blue			
	911 522 017 65 XN2	Burgundy/burgundy			
	911 522 017 65 XK4	Linen/linen			
	911 522 017 65 XK7	Cashmere beige/cash. beige			
2A	911 522 018 65	Back seat backrest Leatherette/	/R	1	

Model: STZ Model life 1985>>1998

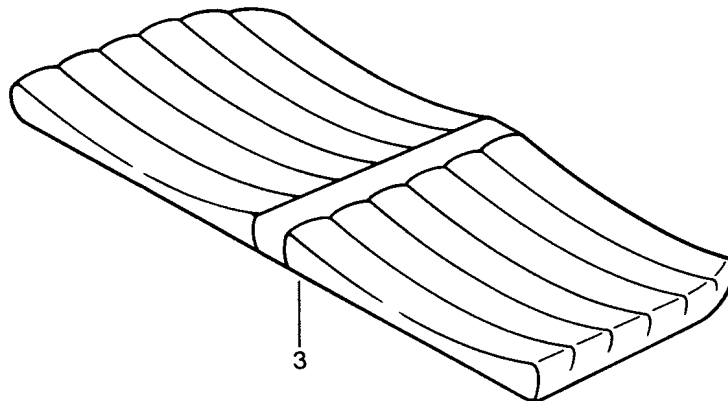
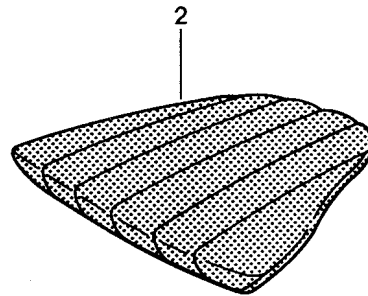
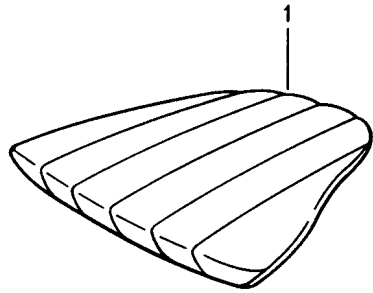
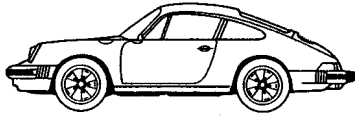
Pos	Part Number	Description	Remark	Qty	Model
		Backrest surface Multicolour	89		
	911 522 018 65 XK8	Black/black			
	911 522 018 65 XK9	Mahogany/mahogany			
	911 522 018 65 XN1	Marine blue/marine blue			
	911 522 018 65 XN2	Burgundy/burgundy			
	911 522 018 65 XK4	Linen/linen			
	911 522 018 65 XK7	Cashmere beige/cash. beige			
(3)	911 522 061 60	Carpet for Back seat backrest	/L	1	CARRERA
	911 522 061 60 70E	Black	-88		
	911 522 061 60 5FV	Black	89		
	911 522 061 60 5MF	Mahogany			
	911 522 061 60 3KF	Marine blue	-88		
	911 522 061 60 4KV	Marine blue	89		
	911 522 061 60 80E	Burgundy	-88		
	911 522 061 60 8MD	Burgundy	89		
	911 522 061 60 2XF	Linen			
	911 522 061 60 8JK	Greyish green	-88		
	911 522 061 60 2FL	Grey-beige	-88		
	911 522 061 60 1VD	Champagne	-88		
	911 522 061 60 4MM	Plum red	-88		
	911 522 061 60 5UM	Caramel	-88		
	911 522 061 60 7VM	Silver-grey	-88		
	911 522 061 60 3KM	Venetian blue	-88		
	911 522 061 60 8UT	Cashmere beige	89		
	911 522 061 60 9MT	Velvet red	89		
	911 522 061 60 3WT	Slate grey	89		
(3)	930 522 061 60	Carpet for Back seat backrest	/L	1	TURBO
	930 522 061 60 70E	Black	-88		
	930 522 061 60 5FV	Black	89		
	930 522 061 60 5MF	Mahogany			
	930 522 061 60 3KF	Marine blue	-88		
	930 522 061 60 4KV	Marine blue	89		
	930 522 061 60 80E	Burgundy	-88		
	930 522 061 60 8MD	Burgundy	89		
	930 522 061 60 2XF	Linen			
	930 522 061 60 8JK	Greyish green	-88		
	930 522 061 60 2FL	Grey-beige	-88		
	930 522 061 60 1VD	Champagne	-88		
	930 522 061 60 4MM	Plum red	-88		
	930 522 061 60 5UM	Caramel	-88		
	930 522 061 60 7VM	Silver-grey	-88		
	930 522 061 60 3KM	Venetian blue	-88		
	930 522 061 60 8UT	Cashmere beige	89		
	930 522 061 60 9MT	Velvet red	89		
	930 522 061 60 3WT	Slate grey	89		
3	911 522 062 60	Carpet for Back seat backrest	/R	1	CARRERA TURBO
	911 522 062 60 70E	Black	-88		
	911 522 062 60 5FV	Black	89		
	911 522 062 60 5MF	Mahogany			
	911 522 062 60 3KF	Marine blue	-88		
	911 522 062 60 4KV	Marine blue	89		
	911 522 062 60 80E	Burgundy	-88		
	911 522 062 60 8MD	Burgundy	89		
	911 522 062 60 2XF	Linen			
	911 522 062 60 8JK	Greyish green	-88		

Model: STZ Model life 1985>>1998

Pos	Part Number	Description	Remark	Qty	Model
	911 522 062 60 2FL	Grey-beige	-88		
	911 522 062 60 1VD	Champagne	-88		
	911 522 062 60 4MM	Plum red	-88		
	911 522 062 60 5UM	Caramel	-88		
	911 522 062 60 7VM	Silver-grey	-88		
	911 522 062 60 3KM	Venetian blue	-88		
	911 522 062 60 8UT	Cashmere beige	89		
	911 522 062 60 9MT	Velvet red	89		
	911 522 062 60 3WT	Slate grey	89		
(3)	911 522 061 60	Carpet for Back seat backrest	/L	1	
	911 522 061 60 6HM	Silver-blue	88		JUBI.88 M099 M098
3	911 522 061 60 7VT	Silk grey	89		
	911 522 062 60	Carpet for Back seat backrest	/R	1	
	911 522 062 60 6HM	Silver-blue	88		JUBI.88 M099 M098
4	911 522 062 60 7VT	Silk grey	89		
5	911 522 233 00	Spring		2	
6	911 522 229 01	Bolt		2	
6	911 522 231 00	Knob		2	
(7)	911 522 227 01	Bearing	/L	1	
7	911 522 228 01	Bearing	/R	1	
8	999 523 106 02	Lock washer B 5		4	
9	N 014 133 8	Oval-head screw M 5 X 12		4	
10	911 561 493 00	Leather loop		2	
11	900 236 001 07	Oval-head screw M8 X 10		2	
11	900 236 001 03	Oval-head screw M8 X 10		2	
12	N 012 230 1	Spring washer		2	
13	911 559 435 00	Spacer		4	
14	901 522 509 20	Bearing sleeve		2	
15	901 522 365 20	Cap		2	

Model: STZ

Model life 1985>>1998



Model: STZ Model life 1985>>1998

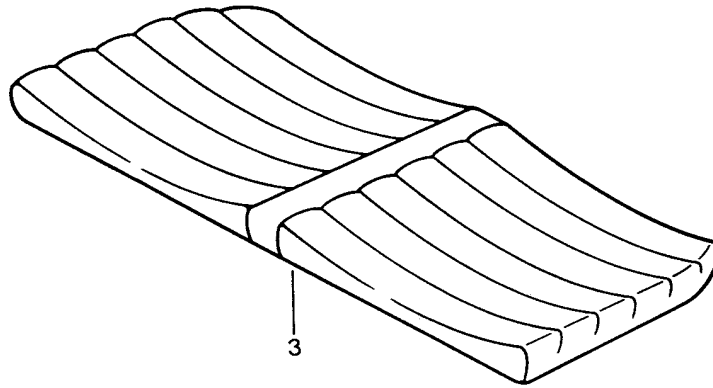
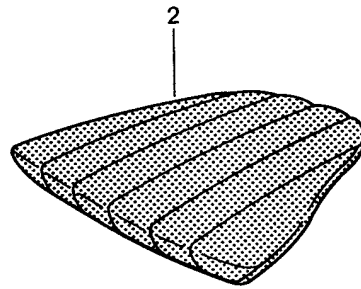
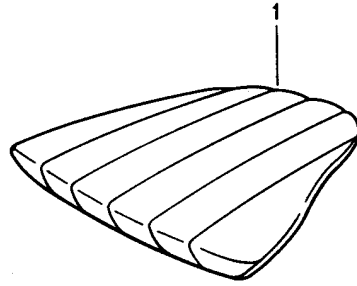
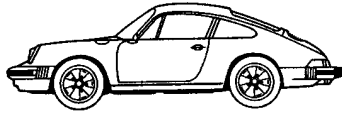
Pos	Part Number	Description	Remark	Qty	Model
		Back seat cushion	85-86		911 CARRERA TURBO
1	911 522 051 06	Back seat cushion Leatherette	/L	1	
	911 522 051 06 3MK	Burgundy			
	911 522 051 06 4FK	Grey-beige	86		
	911 522 051 06 43S	Black			
	911 522 051 06 1HH	Blue			
	911 522 051 06 4RB	Brown			
	911 522 051 06 4JX	Greyish green			
(1)	911 522 052 06	Back seat cushion Leatherette	/R	1	
	911 522 052 06 3MK	Burgundy			
	911 522 052 06 4FK	Grey-beige	86		
	911 522 052 06 43S	Black			
	911 522 052 06 1HH	Blue			
	911 522 052 06 4RB	Brown			
	911 522 052 06 4JX	Greyish green			
1	930 522 051 74	Back seat cushion Whole-leather	/L	1	
	930 522 051 74 KZ2	Black			
	930 522 051 74 KZ3	Blue			
	930 522 051 74 KZ5	Cadbury brown			
	930 522 051 74 LG7	Burgundy			
	930 522 051 74 KZ4	Grey-beige	86		
	930 522 051 74 KZ6	Can-can-red			
	930 522 051 74 LG4	Pearl white			
	930 522 051 74 LG5	Champagne			
	930 522 051 74 LG6	Dark green			
	930 522 051 74 QC2	Greyish green			
	930 522 051 74 PY9	Ocean blue			
	930 522 051 74 PZ1	Wild buffalo			
(1)	930 522 052 74	Back seat cushion Whole-leather	/R	1	
	930 522 052 74 KZ2	Black			
	930 522 052 74 KZ3	Blue			
	930 522 052 74 KZ5	Cadbury brown			
	930 522 052 74 LG7	Burgundy			
	930 522 052 74 KZ4	Grey-beige	86		
	930 522 052 74 KZ6	Can-can-red			
	930 522 052 74 LG4	Pearl white			
	930 522 052 74 LG5	Champagne			
	930 522 052 74 LG6	Dark green			
	930 522 052 74 QC2	Greyish green			
	930 522 052 74 PY9	Ocean blue			
	930 522 052 74 PZ1	Wild buffalo			
2	930 522 051 01	Back seat cushion Cloth Pin stripe velour	/L	1	
	930 522 051 01 JN1	Black-white			
	930 522 051 01 LT1	Blue-white			
	930 522 051 01 JN2	Brown-beige			
	930 522 051 01 LT2	Burgundy-white			
	930 522 051 01 LD4	Grey-beige-white	86		
	930 522 051 01 PY5	Greyish green-white			
(2)	930 522 052 01	Back seat cushion Cloth Pin stripe velour	/R	1	
	930 522 052 01 JN1	Black-white			
	930 522 052 01 LT1	Blue-white			
	930 522 052 01 JN2	Brown-beige			
	930 522 052 01 LT2	Burgundy-white			

Model: STZ Model life 1985>>1998

Pos	Part Number	Description	Remark	Qty	Model			
2	930 522 052 01 LD4	Grey-beige-white	86	1				
	930 522 052 01 PY5	Greyish green-white						
	930 522 051 01	Back seat cushion	/L					
		Cloth						
		Pin stripe flannel						
	930 522 051 01 PZ2	Anthracite						
	930 522 051 01 PZ3	Brown						
	930 522 051 01 PZ4	Blue						
	930 522 051 01 PZ5	Burgundy						
	930 522 051 01 PZ6	Greyish green						
(2)	930 522 051 01 LR3	Grey-beige		1				
	930 522 052 01	Back seat cushion	/R					
		Cloth						
		Pin stripe flannel						
	930 522 052 01 PZ2	Anthracite						
	930 522 052 01 PZ3	Brown						
	930 522 052 01 PZ4	Blue						
	930 522 052 01 PZ5	Burgundy						
	930 522 052 01 PZ6	Greyish green						
	930 522 052 01 LR3	Grey-beige						
2	930 522 051 01	Back seat cushion	/L	1				
		Porsche lettering cloth						
	930 522 051 01 PZ7	Black						
	930 522 051 01 PZ8	Brown						
	930 522 051 01 PZ9	Blue						
	930 522 051 01 QA1	Burgundy						
	930 522 051 01 QA2	Greyish green						
	930 522 051 01 QD8	Grey-beige	86					
	(2)	930 522 052 01	Back seat cushion			/R	1	
			Porsche lettering cloth					
930 522 052 01 PZ7		Black						
930 522 052 01 PZ8		Brown						
930 522 052 01 PZ9		Blue						
930 522 052 01 QA1		Burgundy						
930 522 052 01 QA2		Greyish green						
930 522 052 01 QD8		Grey-beige	86					

Model: STZ

Model life 1985>>1998





Model: STZ Model life 1985>>1998

Pos	Part Number	Description	Remark	Qty	Model
		Back seat cushion	87-89		911 CARRERA TURBO
1	911 522 051 06	Back seat cushion Leatherette	/L	1	
	911 522 051 06 3MK	Burgundy			
	911 522 051 06 1MX	Mahogany			
	911 522 051 06 43S	Black			
	911 522 051 06 1KX	Marine blue			
	911 522 051 06 4WX	Linen			
	911 522 051 06 4JX	Greyish green	-88		
	911 522 051 06 7RT	Cashmere beige	89		
(1)	911 522 052 06	Back seat cushion Leatherette	/R	1	
	911 522 052 06 3MK	Burgundy			
	911 522 052 06 1MX	Mahogany			
	911 522 052 06 43S	Black			
	911 522 052 06 1KX	Marine blue			
	911 522 052 06 4WX	Linen			
	911 522 052 06 4JX	Greyish green	-88		
	911 522 052 06 7RT	Cashmere beige	89		
1	930 522 051 74	Back seat cushion Whole-leather	/L	1	
	930 522 051 74 KZ2	Black			
	930 522 051 74 TV1	Mahogany			
	930 522 051 74 TS1	Marine blue			
	930 522 051 74 LG7	Burgundy			
	930 522 051 74 TW1	Linen			
	930 522 051 74 UD3	Plum red	-88		
	930 522 051 74 UD4	Silver-grey	-88		
	930 522 051 74 LG5	Champagne	-88		
	930 522 051 74 UD5	Caramel			
	930 522 051 74 QC2	Greyish green	-88		
	930 522 051 74 UD6	Venetian blue			
	930 522 051 74 XN4	Cashmere beige	89		
	930 522 051 74 XN5	Silk grey	89		
	930 522 051 74 XN6	Velvet red	89		
	930 522 051 74 XN7	Slate grey	89		
(1)	930 522 052 74	Back seat cushion Whole-leather	/R	1	
	930 522 052 74 KZ2	Black			
	930 522 052 74 TV1	Mahogany			
	930 522 052 74 TS1	Marine blue			
	930 522 052 74 LG7	Burgundy			
	930 522 052 74 TW1	Linen			
	930 522 052 74 UD3	Plum red	-88		
	930 522 052 74 UD4	Silver-grey	-88		
	930 522 052 74 LG5	Champagne	-88		
	930 522 052 74 UD5	Caramel			
	930 522 052 74 QC2	Greyish green	-88		
	930 522 052 74 UD6	Venetian blue			
	930 522 052 74 XN4	Cashmere beige	89		
	930 522 052 74 XN5	Silk grey	89		
	930 522 052 74 XN6	Velvet red	89		
	930 522 052 74 XN7	Slate grey	89		
1	930 522 051 02	Back seat cushion Draped leather	/L	1	
	930 522 051 02 KZ2	Black			
	930 522 051 02 TV1	Mahogany			
	930 522 051 02 TS1	Marine blue			
	930 522 051 02 LG7	Burgundy			
	930 522 051 02 TW1	Linen			
	930 522 051 02 UD3	Plum red	-88		

Model: STZ Model life 1985>>1998

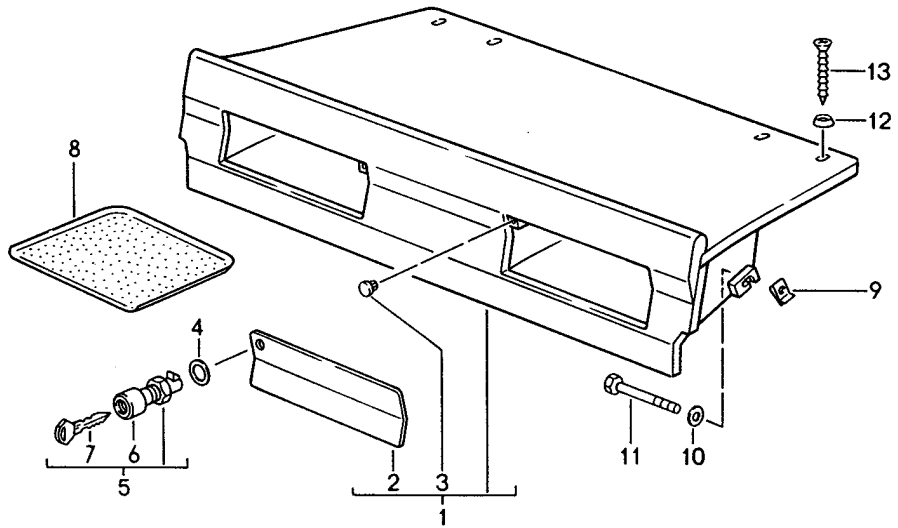
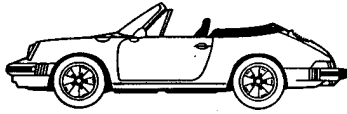
Pos	Part Number	Description	Remark	Qty	Model
	930 522 051 02 UD4	Silver-grey	-88		
	930 522 051 02 LG5	Champagne			
	930 522 051 02 UD5	Caramel			
	930 522 051 02 QC2	Greyish green	-88		
	930 522 051 02 UD6	Venetian blue			
	930 522 051 02 XN4	Cashmere beige	89		
	930 522 051 02 XN5	Silk grey	89		
	930 522 051 02 XN6	Velvet red	89		
	930 522 051 02 XN7	Slate grey	89		
(1)	930 522 052 02	Back seat cushion Draped leather	/R	1	
	930 522 052 02 KZ2	Black			
	930 522 052 02 TV1	Mahogany			
	930 522 052 02 TS1	Marine blue			
	930 522 052 02 LG7	Burgundy			
	930 522 052 02 TW1	Linen			
	930 522 052 02 UD3	Plum red	-88		
	930 522 052 02 UD4	Silver-grey	-88		
	930 522 052 02 LG5	Champagne			
	930 522 052 02 UD5	Caramel			
	930 522 052 02 QC2	Greyish green	-88		
	930 522 052 02 UD6	Venetian blue			
	930 522 052 02 XN4	Cashmere beige	89		
	930 522 052 02 XN5	Silk grey	89		
	930 522 052 02 XN6	Velvet red	89		
	930 522 052 02 XN7	Slate grey	89		
1	930 522 051 02	Back seat cushion Draped leather	/L 88-89	1	JUBI.88/89
	930 522 051 02 WR2	Blue metallic			
	930 522 051 02 XN5	Silk grey			
(1)	930 522 052 02	Back seat cushion Draped leather	/R 88-89	1	JUBI.88/89
	930 522 052 02 WR2	Blue metallic			
	930 522 052 02 XN5	Silk grey			
2	930 522 051 01	Back seat cushion Cloth Pin stripe velour	/L	1	
	930 522 051 01 JN1	Black-white			
	930 522 051 01 TU1	Mahogany			
	930 522 051 01 TR1	Blue-white			
	930 522 051 01 LT2	Burgundy-white			
	930 522 051 01 PY5	Greyish green-white	-88		
	930 522 051 01 4WJ	Linen white	89		
	930 522 051 01 4TN	Cashmere beige-white	89		
(2)	930 522 052 01	Back seat cushion Cloth Pin stripe velour	/R	1	
	930 522 052 01 JN1	Black-white			
	930 522 052 01 TU1	Mahogany			
	930 522 052 01 TR1	Marine blue			
	930 522 052 01 LT2	Burgundy-white			
	930 522 052 01 PY5	Greyish green-white	-88		
	930 522 052 01 4WJ	Linen white	89		
	930 522 052 01 4TN	Cashmere beige-white	89		
2	930 522 051 01	Back seat cushion Cloth Pin stripe flannel	/L	1	
	930 522 051 01 PZ2	Anthracite	-88		
	930 522 051 01 TU2	Mahogany			
	930 522 051 01 TR2	Marine blue			
	930 522 051 01 PZ5	Burgundy			
	930 522 051 01 PZ6	Greyish green			
(2)	930 522 052 01	Back seat cushion	/R	1	

Model: STZ Model life 1985>>1998

Pos	Part Number	Description	Remark	Qty	Model
		Cloth			
		Pin stripe flannel	-88		
	930 522 052 01 PZ2	Anthracite			
	930 522 052 01 TU2	Mahogany			
	930 522 052 01 TR2	Marine blue			
	930 522 052 01 PZ5	Burgundy			
	930 522 052 01 PZ6	Greyish green			
2	930 522 051 01	Back seat cushion	/L	1	
		Cloth			
		Multicolour	89		
	930 522 051 01 2VV	Black			
	930 522 051 01 8XV	Mahogany			
	930 522 051 01 9JV	Marine blue			
	930 522 051 01 1MV	Burgundy			
	930 522 051 01 6UV	Linen			
	930 522 051 01 5TC	Cashmere beige			
(2)	930 522 052 01	Back seat cushion	/R	1	
		Cloth			
		Multicolour	89		
	930 522 052 01 2VV	Black			
	930 522 052 01 8XV	Mahogany			
	930 522 052 01 9JV	Marine blue			
	930 522 052 01 1MV	Burgundy			
	930 522 052 01 6UV	Linen			
	930 522 052 01 5TC	Cashmere beige			
2	930 522 051 01	Back seat cushion	/L	1	
		Porsche lettering cloth			
	930 522 051 01 PZ7	Black			
	930 522 051 01 TU3	Mahogany			
	930 522 051 01 TR3	Blue			
	930 522 051 01 QA1	Burgundy			
	930 522 051 01 QA2	Greyish green	-88		
	930 522 051 01 5WZ	Linen	89		
	930 522 051 01 7TH	Cashmere beige	89		
(2)	930 522 052 01	Back seat cushion	/R	1	
		Porsche lettering cloth			
	930 522 052 01 PZ7	Black			
	930 522 052 01 TU3	Mahogany			
	930 522 052 01 TR3	Blue			
	930 522 052 01 QA1	Burgundy			
	930 522 052 01 QA2	Greyish green	-88		
	930 522 052 01 5WZ	Linen	89		
	930 522 052 01 7TH	Cashmere beige	89		

Model: STZ

Model life 1985>>1998

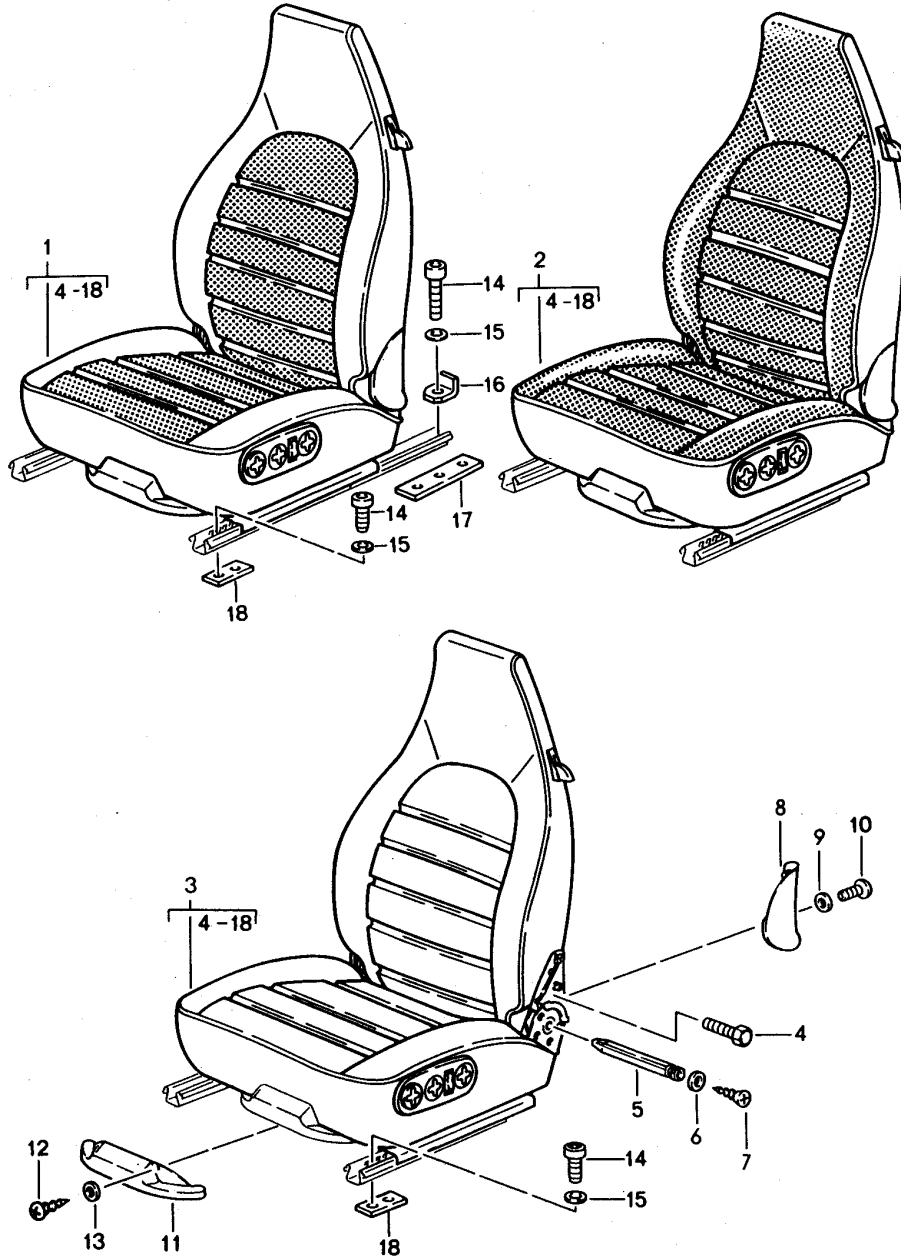
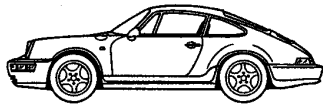


Model: STZ Model life 1985>>1998

Pos	Part Number	Description	Remark	Qty	Model
		Rear luggage dump	87-89		911 CABRIO
			-88		M637
			89		SPEEDSTER
(1)	911 555 123 00	Rear luggage dump without Glove compartment cover	-88	1	M637
	911 555 123 00 70E	Black			
	911 555 123 00 5MF	Mahogany			
	911 555 123 00 3KF	Marine blue			
	911 555 123 00 80E	Burgundy			
	911 555 123 00 8JK	Greyish green			
1	911 555 123 62	Rear luggage dump Carpet	89	1	SPEEDSTER
	911 555 123 62 5FV	Black	89		
	911 555 123 62 5MF	Mahogany			
	911 555 123 62 4KV	Marine blue	89		
	911 555 123 62 8MD	Burgundy	89		
	911 555 123 62 7VT	Silk grey	89		
	911 555 123 62 8UT	Cashmere beige	89		
	911 555 123 62 9MT	Velvet red	89		
	911 555 123 62 3WT	Slate grey	89		
2	911 552 488 04	Cover	89	2	SPEEDSTER
	911 552 488 04 7AE	Black			CABRIO
3	999 703 002 40	Stopper 6,5 X 10 X 7	89	2	SPEEDSTER
4	911 552 103 01	Washer	89	2	SPEEDSTER
5	911 552 902 07	Glove compartment lock W/o stipulated lock number	89	2	SPEEDSTER
5	911 552 902 08	Glove compartment lock State lock number	89	2	SPEEDSTER
6	911 538 561 00	Knob	89	2	SPEEDSTER
7	911 538 902 00	Replacement key with Key cap State lock number Information available	89	2	SPEEDSTER
8	911 555 151 61	Base Seat well	89	2	SPEEDSTER
	911 555 151 61 5FV	Black	89		CABRIO
	911 555 151 61 5MF	Mahogany			
	911 555 151 61 4KV	Marine blue	89		
	911 555 151 61 8MD	Burgundy	89		
	911 555 151 61 2XF	Linen			
	911 555 151 61 7VT	Silk grey	89		
	911 555 151 61 8UT	Cashmere beige	89		
	911 555 151 61 9MT	Velvet red	89		
	911 555 151 61 3WT	Slate grey	89		
	911 555 151 61 5UM	Caramel			
	911 555 151 61 3KM	Venetian blue			
9	999 507 248 02	Speed nut M 5		2	
10	N 011 665 3	Washer B 5,3		2	
10	N 011 665 16	Washer B 5,3		2	
11	N 100 017 01	Hexagon-head bolt M 5 X 45		2	
12	999 591 116 07	Cone washer		2	
13	900 145 062 07	Tapping screw B 3,5 X 25		2	SPEEDSTER
13	900 145 072 07	Tapping screw B 3,5 X 22		2	CABRIO
					M637

Model: STZ

Model life 1985>>1998



Model: STZ Model life 1985>>1998

Pos	Part Number	Description	Remark	Qty	Model
		Front seat Complete All-electric Standard seat And Combined seat Speedster Not available	89-94		CARRERA 2/4 TURBO/LOOK
1	964 521 003 20	Comfort seat Leatherette/leather Centre part in cloth Pin stripe velour	/L	1	M437
	964 521 003 20 PY1	Black/black Black-white	-90		
	964 521 003 20 TU4	Mahogany/mahogany Mahogany-white	-90		
	964 521 003 20 TR4	Marine blue/marine blue Blue-white	-90		
	964 521 003 20 PY4	Burgundy/burgundy Burgundy-white	-90		
	964 521 003 20 XH2	Linen/linen Linen white	-90		
	964 521 003 20 XH7	Cashmere beige/cash. beige Cashmere beige-white	-90		
(1)	964 521 004 20	Comfort seat Leatherette/leather Centre part in cloth Pin stripe velour	/R	1	M438
	964 521 004 20 PY1	Black/black Black-white	-90		
	964 521 004 20 TU4	Mahogany/mahogany Mahogany-white	-90		
	964 521 004 20 TR4	Blue/ Blue-white	-90		
	964 521 004 20 PY4	Burgundy/burgundy Burgundy-white	-90		
	964 521 004 20 XH2	Linen/linen Linen white	-90		
	964 521 004 20 XH7	Cashmere beige/cash. beige Cashmere beige-white	-90		
1	964 521 003 26	Comfort seat with heating Leatherette/leather Centre part in cloth Pin stripe velour	/L	1	M437
	964 521 003 26 PY1	Black/black Black-white	-90		
	964 521 003 26 TU4	Mahogany/mahogany Mahogany-white	-90		
	964 521 003 26 TR4	Marine blue/marine blue Blue-white	-90		
	964 521 003 26 PY4	Burgundy/burgundy Burgundy-white	-90		
	964 521 003 26 XH2	Linen/linen Linen white	-90		
	964 521 003 26 XH7	Cashmere beige/cash. beige Cashmere beige-white	-90		
(1)	964 521 004 26	Comfort seat with heating Leatherette/leather Centre part in cloth Pin stripe velour	/R	1	M438
	964 521 004 26 PY1	Black/black	-90		

Model: STZ Model life 1985>>1998

Pos	Part Number	Description	Remark	Qty	Model
	964 521 004 26 TU4	Black-white Mahogany/mahogany	-90		
	964 521 004 26 TR4	Mahogany-white Marine blue/marine blue	-90		
	964 521 004 26 PY4	Blue-white Burgundy/burgundy	-90		
	964 521 004 26 XH2	Burgundy-white Linen/linen	-90		
	964 521 004 26 XH7	Linen white Cashmere beige/cash. beige	-90		
1	964 521 003 32	Cashmere beige-white Comfort seat with Lumbar support Leatherette/leather Centre part in cloth Pin stripe velour	/L	1	M437
	964 521 003 32 PY1	Black/black Black-white	-90		
	964 521 003 32 TU4	Mahogany/mahogany Mahogany-white	-90		
	964 521 003 32 TR4	Marine blue/marine blue Blue-white	-90		
	964 521 003 32 PY4	Burgundy/burgundy Burgundy-white	-90		
	964 521 003 32 XH2	Linen/linen Linen white	-90		
	964 521 003 32 XH7	Cashmere beige/cash. beige Cashmere beige-white	-90		
(1)	964 521 004 32	Comfort seat with Lumbar support Leatherette/leather Centre part in cloth Pin stripe velour	/R	1	M438
	964 521 004 32 PY1	Black/black Black-white	-90		
	964 521 004 32 TU4	Mahogany/mahogany Mahogany-white	-90		
	964 521 004 32 TR4	Marine blue/marine blue Blue-white	-90		
	964 521 004 32 PY4	Burgundy/burgundy Burgundy-white	-90		
	964 521 004 32 XH2	Linen/linen Linen white	-90		
	964 521 004 32 XH7	Cashmere beige/cash. beige Cashmere beige-white	-90		
1	964 521 003 38	Comfort seat Lumbar support with heating Leatherette/leather Centre part in cloth Pin stripe velour	/L	1	M437
	964 521 003 38 PY1	Black/black Black-white	-90		
	964 521 003 38 TU4	Mahogany/mahogany Mahogany-white	-90		
	964 521 003 38 TR4	Marine blue/marine blue Blue-white	-90		
	964 521 003 38 PY4	Burgundy/burgundy Burgundy-white	-90		
	964 521 003 38 XH2	Linen/linen Linen white	-90		



Model: STZ Model life 1985>>1998

Pos	Part Number	Description	Remark	Qty	Model
	964 521 003 38 XH7	Cashmere beige/cash. beige	-90		
(1)	964 521 004 38	Cashmere beige-white Comfort seat Lumbar support with heating Leatherette/leather Centre part in cloth Pin stripe velour	/R	1	M438
	964 521 004 38 PY1	Black/black	-90		
	964 521 004 38 TU4	Black-white Mahogany/mahogany	-90		
	964 521 004 38 TR4	Mahogany-white Marine blue/marine blue	-90		
	964 521 004 38 PY4	Blue-white Burgundy/burgundy	-90		
	964 521 004 38 XH2	Burgundy-white Linen/linen	-90		
	964 521 004 38 XH7	Linen white Cashmere beige/cash. beige	-90		
1	964 521 003 20	Cashmere beige-white Comfort seat Leatherette/leather Centre part in cloth Multicolour	/L	1	M437
	964 521 003 20 XJ2	Black/black	-90		
	964 521 003 20 XJ3	Black Mahogany/mahogany	-90		
	964 521 003 20 XJ5	Mahogany Marine blue/blue	-90		
	964 521 003 20 XJ7	Marine blue Burgundy/burgundy	-90		
	964 521 003 20 XH6	Burgundy Linen/linen	-90		
	964 521 003 20 XH9	Linen Cashmere beige/cash. beige	-90		
	964 521 003 20 ATF	Cashmere beige Black/black	91-		
	964 521 003 20 APF	Black Classic grey/classic grey	91-		
	964 521 003 20 ARF	Classic grey Cobalt blue/cobalt blue	91-		
	964 521 003 20 ASF	Cobalt blue Magenta/Magenta	91-		
	964 521 003 20 AQF	Magenta Light grey/light grey	91-		
	964 521 003 20 ATL	Light grey Cashmere beige/cash. beige	91-		
	964 521 003 20 BQK	Cashmere beige Marine blue/marine blue	91-		
(1)	964 521 004 20	Marine blue Comfort seat Leatherette/leather Centre part in cloth Multicolour	/R	1	M438
	964 521 004 20 XJ2	Black/black	-90		
	964 521 004 20 XJ3	Black Mahogany/mahogany	-90		
	964 521 004 20 XJ5	Mahogany Marine blue/blue	-90		
	964 521 004 20 XJ7	Marine blue Burgundy/burgundy	-90		
	964 521 004 20 XH6	Burgundy Linen/linen	-90		

Model: STZ Model life 1985>>1998

Pos	Part Number	Description	Remark	Qty	Model
	964 521 004 20 XH9	Linen Cashmere beige/cash. beige	-90		
	964 521 004 20 ATF	Cashmere beige Black/black	91-		
	964 521 004 20 APF	Black Classic grey/classic grey	91-		
	964 521 004 20 ARF	Classic grey Cobalt blue/cobalt blue	91-		
	964 521 004 20 ASF	Cobalt blue Magenta/Magenta	91-		
	964 521 004 20 AQF	Magenta Light grey/light grey	91-		
	964 521 004 20 ATL	Light grey Cashmere beige/cash. beige	91-		
	964 521 004 20 BQK	Cashmere beige Marine blue/marine blue	91-		
1	964 521 003 26	Marine blue Comfort seat with heating Leatherette/leather Centre part in cloth Multicolour	/L	1	M437
	964 521 003 26 XJ2	Black/black Black	-90		
	964 521 003 26 XJ3	Mahogany/mahogany Mahogany	-90		
	964 521 003 26 XJ5	Marine blue/blue Marine blue	-90		
	964 521 003 26 XJ7	Burgundy/burgundy Burgundy	-90		
	964 521 003 26 XH6	Linen/linen Linen	-90		
	964 521 003 26 XH9	Cashmere beige/cash. beige Cashmere beige	-90		
	964 521 003 26 ATF	Black/black Black	91-		
	964 521 003 26 APF	Classic grey/classic grey Classic grey	91-		
	964 521 003 26 ARF	Cobalt blue/cobalt blue Cobalt blue	91-		
	964 521 003 26 ASF	Magenta/Magenta Magenta	91-		
	964 521 003 26 AQF	Light grey/light grey Light grey	91-		
	964 521 003 26 ATL	Cashmere beige/cash. beige Cashmere beige	91-		
	964 521 003 26 BQK	Marine blue/marine blue Marine blue	91-		
(1)	964 521 004 26	Comfort seat with heating Leatherette/leather Centre part in cloth Multicolour	/R	1	M438
	964 521 004 26 XJ2	Black/black Black	-90		
	964 521 004 26 XJ3	Mahogany/mahogany Mahogany	-90		
	964 521 004 26 XJ5	Marine blue/blue Marine blue	-90		
	964 521 004 26 XJ7	Burgundy/burgundy Burgundy	-90		
	964 521 004 26 XH6	Linen/linen Linen	-90		

Model: STZ Model life 1985>>1998

Pos	Part Number	Description	Remark	Qty	Model
	964 521 004 26 XH9	Cashmere beige/cash. beige Cashmere beige	-90		
	964 521 004 26 ATF	Black/black Black	91-		
	964 521 004 26 APF	Classic grey/classic grey Classic grey	91-		
	964 521 004 26 ARF	Cobalt blue/cobalt blue Cobalt blue	91-		
	964 521 004 26 ASF	Magenta/Magenta Magenta	91-		
	964 521 004 26 AQF	Light grey/light grey Light grey	91-		
	964 521 004 26 ATL	Cashmere beige/cash. beige Cashmere beige	91-		
	964 521 004 26 BQK	Marine blue/marine blue Marine blue	91-		
1	964 521 003 32	Comfort seat with Lumbar support Leatherette/leather Centre part in cloth Multicolour	/L	1	M437
	964 521 003 32 XJ2	Cashmere beige/ Black	-90		
	964 521 003 32 XJ3	Mahogany/mahogany Mahogany	-90		
	964 521 003 32 XJ5	Marine blue/blue Marine blue	-90		
	964 521 003 32 XJ7	Burgundy/burgundy Burgundy	-90		
	964 521 003 32 XH6	Linen/linen Linen	-90		
	964 521 003 32 XH9	Cashmere beige/cash. beige Cashmere beige	-90		
	964 521 003 32 ATF	Black/black Black	91-		
	964 521 003 32 APF	Classic grey/classic grey Classic grey	91-		
	964 521 003 32 ARF	Cobalt blue/cobalt blue Cobalt blue	91-		
	964 521 003 32 ASF	Magenta/Magenta Magenta	91-		
	964 521 003 32 AQF	Light grey/light grey Light grey	91-		
	964 521 003 32 ATL	Cashmere beige/cash. beige Cashmere beige	91-		
	964 521 003 32 BQK	Marine blue/marine blue Marine blue	91-		
(1)	964 521 004 32	Comfort seat with Lumbar support Leatherette/leather Centre part in cloth Multicolour	/R	1	M438
	964 521 004 32 XJ2	Black/black Black	-90		
	964 521 004 32 XJ3	Mahogany/mahogany Mahogany	-90		
	964 521 004 32 XJ5	Marine blue/blue Marine blue	-90		
	964 521 004 32 XJ7	Burgundy/burgundy Burgundy	-90		
	964 521 004 32 XH6	Linen/linen	-90		

Model: STZ Model life 1985&gt;&gt;1998

Pos	Part Number	Description	Remark	Qty	Model
	964 521 004 32 XH9	Linen Cashmere beige/cash. beige	-90		
	964 521 004 32 ATF	Cashmere beige Black/black	91-		
	964 521 004 32 APF	Black Classic grey/classic grey	91-		
	964 521 004 32 ARF	Classic grey Cobalt blue/cobalt blue	91-		
	964 521 004 32 ASF	Cobalt blue Magenta/Magenta	91-		
	964 521 004 32 AQF	Magenta Light grey/light grey	91-		
	964 521 004 32 ATL	Light grey Cashmere beige/cash. beige	91-		
	964 521 004 32 BQK	Cashmere beige Marine blue/marine blue	91-		
1	964 521 003 38	Marine blue Comfort seat Lumbar support with heating Leatherette/leather Centre part in cloth Multicolour	/L	1	M437
	964 521 003 38 XJ2	Black/black Black	-90		
	964 521 003 38 XJ3	Mahogany/mahogany Mahogany	-90		
	964 521 003 38 XJ5	Marine blue/blue Marine blue	-90		
	964 521 003 38 XJ7	Burgundy/burgundy Burgundy	-90		
	964 521 003 38 XH6	Linen/linen Linen	-90		
	964 521 003 38 XH9	Cashmere beige/cash. beige Cashmere beige	-90		
	964 521 003 38 ATF	Black/black Black	91-		
	964 521 003 38 APF	Classic grey/classic grey Classic grey	91-		
	964 521 003 38 ARF	Cobalt blue/cobalt blue Cobalt blue	91-		
	964 521 003 38 ASF	Magenta/Magenta Magenta	91-		
	964 521 003 38 AQF	Light grey/light grey Light grey	91-		
	964 521 003 38 ATL	Cashmere beige/cash. beige Cashmere beige	91-		
	964 521 003 38 BQK	Marine blue/marine blue Marine blue	91-		
(1)	964 521 004 38	Comfort seat Lumbar support with heating Leatherette/leather Centre part in cloth Multicolour	/R	1	M438
	964 521 004 38 XJ2	Black/black Black	-90		
	964 521 004 38 XJ3	Mahogany/mahogany Mahogany	-90		
	964 521 004 38 XJ5	Marine blue/blue Marine blue	-90		
	964 521 004 38 XJ7	Burgundy/burgundy Burgundy	-90		

Model: STZ Model life 1985>>1998

Pos	Part Number	Description	Remark	Qty	Model
	964 521 004 38 XH6	Linen/linen Linen	-90		
	964 521 004 38 XH9	Cashmere beige/cash. beige Cashmere beige	-90		
	964 521 004 38 ATF	Black/black Black	91-		
	964 521 004 38 APF	Classic grey/classic grey Classic grey	91-		
	964 521 004 38 ARF	Cobalt blue/cobalt blue Cobalt blue	91-		
	964 521 004 38 ASF	Magenta/Magenta Magenta	91-		
	964 521 004 38 AQF	Light grey/light grey Light grey	91-		
	964 521 004 38 ATL	Cashmere beige/cash. beige Cashmere beige	91-		
	964 521 004 38 BQK	Marine blue/marine blue Marine blue	91-		
1	964 521 003 20	Comfort seat Leatherette/leather Centre part Porsche lettering cloth	/L	1	M437
	964 521 003 20 PZ7	Black/black Black	-90		
	964 521 003 20 TU6	Mahogany/mahogany Mahogany	-90		
	964 521 003 20 TR6	Marine blue/marine blue Blue	-90		
	964 521 003 20 QA1	Burgundy/burgundy Burgundy	-90		
	964 521 003 20 XH4	Linen/linen Linen	-90		
	964 521 003 20 XH8	Cashmere beige/cash. beige Cashmere beige	-90		
	964 521 003 20 ATA	Black/black Black	91-		
	964 521 003 20 APD	Classic grey/classic grey Classic grey	91-		
	964 521 003 20 ARD	Cobalt blue/cobalt blue Cobalt blue	91-		
	964 521 003 20 ASD	Magenta/Magenta Magenta	91-		
	964 521 003 20 AQD	Light grey/light grey Light grey	91-		
	964 521 003 20 ATR	Cashmere beige/cash. beige Cashmere beige	91-		
	964 521 003 20 BQM	Marine blue/marine blue Blue	91-		
(1)	964 521 004 20	Comfort seat Leatherette/leather Centre part Porsche lettering cloth	/R	1	M438
	964 521 004 20 PZ7	Black/black Black	-90		
	964 521 004 20 TU6	Mahogany/mahogany Mahogany	-90		
	964 521 004 20 TR6	Marine blue/marine blue Blue	-90		
	964 521 004 20 QA1	Burgundy/burgundy Burgundy	-90		
	964 521 004 20 XH4	Linen/linen Linen	-90		
	964 521 004 20 XH8	Cashmere beige/cash. beige	-90		

Model: STZ Model life 1985>>1998

Pos	Part Number	Description	Remark	Qty	Model
	964 521 004 20 ATA	Cashmere beige Black/black	91-		
	964 521 004 20 APD	Black Classic grey/classic grey	91-		
	964 521 004 20 ARD	Classic grey Cobalt blue/cobalt blue	91-		
	964 521 004 20 ASD	Cobalt blue Magenta/Magenta	91-		
	964 521 004 20 AQD	Magenta Light grey/light grey	91-		
	964 521 004 20 ATR	Light grey Cashmere beige/cash. beige	91-		
	964 521 004 20 BQM	Cashmere beige Marine blue/marine blue	91-		
1	964 521 003 26	Blue Comfort seat with heating Leatherette/leather Centre part Porsche lettering cloth	/L	1	M437
	964 521 003 26 PZ7	Black/black Black	-90		
	964 521 003 26 TU6	Mahogany/mahogany Mahogany	-90		
	964 521 003 26 TR6	Marine blue/marine blue Blue	-90		
	964 521 003 26 QA1	Burgundy/burgundy Burgundy	-90		
	964 521 003 26 XH4	Linen/linen Linen	-90		
	964 521 003 26 XH8	Cashmere beige/cash. beige Cashmere beige	-90		
	964 521 003 26 ATA	Black/black Black	91-		
	964 521 003 26 APD	Classic grey/classic grey Classic grey	91-		
	964 521 003 26 ARD	Cobalt blue/cobalt blue Cobalt blue	91-		
	964 521 003 26 ASD	Magenta/Magenta Magenta	91-		
	964 521 003 26 AQD	Light grey/light grey Light grey	91-		
	964 521 003 26 ATR	Cashmere beige/cash. beige Cashmere beige	91-		
	964 521 003 26 BQM	Marine blue/marine blue Blue	91-		
(1)	964 521 004 26	Comfort seat with heating Leatherette/leather Centre part Porsche lettering cloth	/R	1	M438
	964 521 004 26 PZ7	Black/black Black	-90		
	964 521 004 26 TU6	Mahogany/mahogany Mahogany	-90		
	964 521 004 26 TR6	Marine blue/marine blue Blue	-90		
	964 521 004 26 QA1	Burgundy/burgundy Burgundy	-90		
	964 521 004 26 XH4	Linen/linen Linen	-90		
	964 521 004 26 XH8	Cashmere beige/cash. beige Cashmere beige	-90		

Model: STZ Model life 1985>>1998

Pos	Part Number	Description	Remark	Qty	Model
	964 521 004 26 ATA	Black/black Black	91-		
	964 521 004 26 APD	Classic grey/classic grey Classic grey	91-		
	964 521 004 26 ARD	Cobalt blue/cobalt blue Cobalt blue	91-		
	964 521 004 26 ASD	Magenta/Magenta Magenta	91-		
	964 521 004 26 AQD	Light grey/light grey Light grey	91-		
	964 521 004 26 ATR	Cashmere beige/cash. beige Cashmere beige	91-		
	964 521 004 26 BQM	Marine blue/marine blue Blue	91-		
1	964 521 003 32	Comfort seat with Lumbar support Leatherette/leather Centre part Porsche lettering cloth	/L	1	M437
	964 521 003 32 PZ7	Black/black Black	-90		
	964 521 003 32 TU6	Mahogany/mahogany Mahogany	-90		
	964 521 003 32 TR6	Marine blue/marine blue Blue	-90		
	964 521 003 32 QA1	Burgundy/burgundy Burgundy	-90		
	964 521 003 32 XH4	Linen/linen Linen	-90		
	964 521 003 32 XH8	Cashmere beige/cash. beige Cashmere beige	-90		
	964 521 003 32 ATA	Black/black Black	91-		
	964 521 003 32 APD	Classic grey/classic grey Classic grey	91-		
	964 521 003 32 ARD	Cobalt blue/cobalt blue Cobalt blue	91-		
	964 521 003 32 ASD	Magenta/Magenta Magenta	91-		
	964 521 003 32 AQD	Light grey/light grey Light grey	91-		
	964 521 003 32 ATR	Cashmere beige/cash. beige Cashmere beige	91-		
	964 521 003 32 BQM	Marine blue/marine blue Blue	91-		
(1)	964 521 004 32	Comfort seat with Lumbar support Leatherette/leather Centre part Porsche lettering cloth	/R	1	M438
	964 521 004 32 PZ7	Black/black Black	-90		
	964 521 004 32 TU6	Mahogany/mahogany Mahogany	-90		
	964 521 004 32 TR6	Marine blue/marine blue Blue	-90		
	964 521 004 32 QA1	Burgundy/burgundy Burgundy	-90		
	964 521 004 32 XH4	Linen/linen Linen	-90		
	964 521 004 32 XH8	Cashmere beige/cash. beige	-90		

Model: STZ Model life 1985>>1998

Pos	Part Number	Description	Remark	Qty	Model
	964 521 004 32 ATA	Cashmere beige Black/black	91-		
	964 521 004 32 APD	Black Classic grey/classic grey	91-		
	964 521 004 32 ARD	Classic grey Cobalt blue/cobalt blue	91-		
	964 521 004 32 ASD	Cobalt blue Magenta/Magenta	91-		
	964 521 004 32 AQD	Magenta Light grey/light grey	91-		
	964 521 004 32 ATR	Light grey Cashmere beige/cash. beige	91-		
	964 521 004 32 BQM	Cashmere beige Marine blue/marine blue	91-		
1	964 521 003 38	Blue Comfort seat Lumbar support with heating Leatherette/leather Centre part Porsche lettering cloth	/L	1	M437
	964 521 003 38 PZ7	Black/black Black	-90		
	964 521 003 38 TU6	Mahogany/mahogany Mahogany	-90		
	964 521 003 38 TR6	Marine blue/marine blue Blue	-90		
	964 521 003 38 QA1	Burgundy/burgundy Burgundy	-90		
	964 521 003 38 XH4	Linen/linen Linen	-90		
	964 521 003 38 XH8	Cashmere beige/cash. beige Cashmere beige	-90		
	964 521 003 38 ATA	Black/black Black	91-		
	964 521 003 38 APD	Classic grey/classic grey Classic grey	91-		
	964 521 003 38 ARD	Cobalt blue/cobalt blue Cobalt blue	91-		
	964 521 003 38 ASD	Magenta/Magenta Magenta	91-		
	964 521 003 38 AQD	Light grey/light grey Light grey	91-		
	964 521 003 38 ATR	Cashmere beige/cash. beige Cashmere beige	91-		
	964 521 003 38 BQM	Marine blue/marine blue Blue	91-		
(1)	964 521 004 38	Comfort seat Lumbar support with heating Leatherette/leather Centre part Porsche lettering cloth	/R	1	M438
	964 521 004 38 PZ7	Black/black Black	-90		
	964 521 004 38 TU6	Mahogany/mahogany Mahogany	-90		
	964 521 004 38 TR6	Marine blue/marine blue Blue	-90		
	964 521 004 38 QA1	Burgundy/burgundy Burgundy	-90		
	964 521 004 38 XH4	Linen/linen Linen	-90		



Model: STZ Model life 1985>>1998

Pos	Part Number	Description	Remark	Qty	Model
	964 521 004 38 XH8	Linen/linen	-90		
		Cashmere beige			
	964 521 004 38 ATA	Black/black	91-		
		Black			
	964 521 004 38 APD	Classic grey/classic grey	91-		
		Classic grey			
	964 521 004 38 ARD	Cobalt blue/cobalt blue	91-		
		Cobalt blue			
	964 521 004 38 ASD	Magenta/Magenta	91-		
		Magenta			
	964 521 004 38 AQD	Light grey/light grey	91-		
		Light grey			
	964 521 004 38 ATR	Cashmere beige/cash. beige	91-		
		Cashmere beige			
	964 521 004 38 BQM	Marine blue/marine blue	91-		
		Blue			
1	964 521 003 22	Comfort seat	/L	1	M437
		Leather/			
		Centre part in cloth			
		Pin stripe velour			
	964 521 003 22 LS5	Black/	-90		
		Black-white			
	964 521 003 22 TU1	Mahogany/	-90		
		Mahogany-white			
	964 521 003 22 TR1	Blue/	-90		
		Blue-white			
	964 521 003 22 LS9	Burgundy/	-90		
		Burgundy-white			
	964 521 003 22 XF5	Linen/	-90		
		Linen white			
	964 521 003 22 XF8	Cashmere beige/	-90		
		Cashmere beige-white			
(1)	964 521 004 22	Comfort seat	/R	1	M438
		Leather/			
		Centre part in cloth			
		Pin stripe velour			
	964 521 004 22 LS5	Black/	-90		
		Black-white			
	964 521 004 22 TU1	Mahogany/	-90		
		Mahogany-white			
	964 521 004 22 TR1	Blue/	-90		
		Blue-white			
	964 521 004 22 LS9	Burgundy/	-90		
		Burgundy-white			
	964 521 004 22 XF5	Linen/	-90		
		Linen white			
	964 521 004 22 XF8	Cashmere beige/	-90		
		Cashmere beige-white			
1	964 521 003 28	Comfort seat	/L	1	M437
		with heating			
		Leather/			
		Centre part in cloth			
		Pin stripe velour			
	964 521 003 28 LS5	Black/	-90		
		Black-white			
	964 521 003 28 TU1	Mahogany/	-90		
		Mahogany-white			
	964 521 003 28 TR1	Blue/	-90		
		Blue-white			
	964 521 003 28 LS9	Burgundy/	-90		
		Burgundy-white			
	964 521 003 28 XF5	Linen/	-90		
		Linen white			

Model: STZ Model life 1985>>1998

Pos	Part Number	Description	Remark	Qty	Model
	964 521 003 28 XF8	Cashmere beige/ Cashmere beige-white	-90		
(1)	964 521 004 28	Comfort seat with heating Leather/ Centre part in cloth Pin stripe velour	/R	1	M438
	964 521 004 28 LS5	Black/ Black-white	-90		
	964 521 004 28 TU1	Mahogany/ Mahogany-white	-90		
	964 521 004 28 TR1	Blue/ Blue-white	-90		
	964 521 004 28 LS9	Burgundy/ Burgundy-white	-90		
	964 521 004 28 XF5	Linen/ Linen white	-90		
	964 521 004 28 XF8	Cashmere beige/ Cashmere beige-white	-90		
1	964 521 003 34	Comfort seat with Lumbar support Leather/ Centre part in cloth Pin stripe velour	/L	1	M437
	964 521 003 34 LS5	Black/ Black-white	-90		
	964 521 003 34 TU1	Mahogany/ Mahogany-white	-90		
	964 521 003 34 TR1	Blue/ Blue-white	-90		
	964 521 003 34 LS9	Burgundy/ Burgundy-white	-90		
	964 521 003 34 XF5	Linen/ Linen white	-90		
	964 521 003 34 XF8	Cashmere beige/ Cashmere beige-white	-90		
(1)	964 521 004 34	Comfort seat with Lumbar support Leather/ Centre part in cloth Pin stripe velour	/R	1	M438
	964 521 004 34 LS5	Black/ Black-white	-90		
	964 521 004 34 TU1	Mahogany/ Mahogany-white	-90		
	964 521 004 34 TR1	Blue/ Blue-white	-90		
	964 521 004 34 LS9	Burgundy/ Burgundy-white	-90		
	964 521 004 34 XF5	Linen/ Linen white	-90		
	964 521 004 34 XF8	Cashmere beige/ Cashmere beige-white	-90		
1	964 521 003 40	Comfort seat with heating Lumbar support Leather/ Centre part in cloth Pin stripe velour	/L	1	M437
	964 521 003 40 LS5	Black/ Black-white	-90		

Model: STZ Model life 1985>>1998

Pos	Part Number	Description	Remark	Qty	Model
	964 521 003 40 TU1	Mahogany/ Mahogany-white	-90		
	964 521 003 40 TR1	Blue/ Blue-white	-90		
	964 521 003 40 LS9	Burgundy/ Burgundy-white	-90		
	964 521 003 40 XF5	Linen/ Linen white	-90		
	964 521 003 40 XF8	Cashmere beige/ Cashmere beige-white	-90		
(1)	964 521 004 40	Comfort seat Lumbar support with heating Leather/ Centre part in cloth Pin stripe velour	/R	1	M438
	964 521 004 40 LS5	Black/ Black-white	-90		
	964 521 004 40 TU1	Mahogany/ Mahogany-white	-90		
	964 521 004 40 TR1	Blue/ Blue-white	-90		
	964 521 004 40 LS9	Burgundy/ Burgundy-white	-90		
	964 521 004 40 XF5	Linen/ Linen white	-90		
	964 521 004 40 XF8	Cashmere beige/ Cashmere beige-white	-90		
1	964 521 003 22	Comfort seat Leather/ Centre part in cloth Multicolour	/L	1	M437
	964 521 003 22 XG6	Black/black	-90		
	964 521 003 22 XG7	Mahogany/mahogany	-90		
	964 521 003 22 XG8	Marine blue/blue	-90		
	964 521 003 22 XG9	Burgundy/burgundy	-90		
	964 521 003 22 XF7	Linen/linen	-90		
	964 521 003 22 XG5	Cashmere beige/cash. beige	-90		
	964 521 003 22 ATJ	Black/black	91-		
	964 521 003 22 AQT	Classic grey/classic grey	91-		
	964 521 003 22 AQU	Cobalt blue/cobalt blue	91-		
	964 521 003 22 ASJ	Magenta/Magenta	91-		
	964 521 003 22 AQJ	Light grey/light grey	91-		
	964 521 003 22 ATW	Cashmere beige/cash. beige	91-		
	964 521 003 22 BQJ	Marine blue/marine blue	91-		
(1)	964 521 004 22	Comfort seat Leather/ Centre part in cloth Multicolour	/R	1	M438
	964 521 004 22 XG6	Black/black	-90		
	964 521 004 22 XG7	Mahogany/mahogany	-90		
	964 521 004 22 XG8	Marine blue/blue	-90		
	964 521 004 22 XG9	Burgundy/burgundy	-90		
	964 521 004 22 XF7	Linen/linen	-90		
	964 521 004 22 XG5	Cashmere beige/cash. beige	-90		
	964 521 004 22 ATJ	Black/black	91-		
	964 521 004 22 AQT	Classic grey/classic grey	91-		
	964 521 004 22 AQU	Cobalt blue/cobalt blue	91-		
	964 521 004 22 ASJ	Magenta/Magenta	91-		
	964 521 004 22 AQJ	Light grey/light grey	91-		
	964 521 004 22 ATW	Cashmere beige/cash. beige	91-		
	964 521 004 22 BQJ	Marine blue/marine blue	91-		
1	964 521 003 28	Comfort seat	/L	1	M437

Model: STZ Model life 1985>>1998

Pos	Part Number	Description	Remark	Qty	Model
		with heating Leather/ Centre part in cloth Multicolour			
	964 521 003 28 XG6	Black/black	-90		
	964 521 003 28 XG7	Mahogany/mahogany	-90		
	964 521 003 28 XG8	Marine blue/blue	-90		
	964 521 003 28 XG9	Burgundy/burgundy	-90		
	964 521 003 28 XF7	Linen/linen	-90		
	964 521 003 28 XG5	Cashmere beige/cash. beige	-90		
	964 521 003 28 ATJ	Black/black	91-		
	964 521 003 28 AQT	Classic grey/classic grey	91-		
	964 521 003 28 AQU	Cobalt blue/cobalt blue	91-		
	964 521 003 28 ASJ	Magenta/Magenta	91-		
	964 521 003 28 AQJ	Light grey/light grey	91-		
	964 521 003 28 ATW	Cashmere beige/cash. beige	91-		
	964 521 003 28 BQJ	Marine blue/marine blue	91-		
(1)	964 521 004 28	Comfort seat with heating Leather/ Centre part in cloth Multicolour	/R	1	M438
	964 521 004 28 XG6	Black/black	-90		
	964 521 004 28 XG7	Mahogany/mahogany	-90		
	964 521 004 28 XG8	Marine blue/blue	-90		
	964 521 004 28 XG9	Burgundy/burgundy	-90		
	964 521 004 28 XF7	Linen/linen	-90		
	964 521 004 28 XG5	Cashmere beige/cash. beige	-90		
	964 521 004 28 ATJ	Black/black	91-		
	964 521 004 28 AQT	Classic grey/classic grey	91-		
	964 521 004 28 AQU	Cobalt blue/cobalt blue	91-		
	964 521 004 28 ASJ	Magenta/Magenta	91-		
	964 521 004 28 AQJ	Light grey/light grey	91-		
	964 521 004 28 ATW	Cashmere beige/cash. beige	91-		
	964 521 004 28 BQJ	Marine blue/marine blue	91-		
1	964 521 003 34	Comfort seat with Lumbar support Leather/ Centre part in cloth Multicolour	/L	1	M437
	964 521 003 34 XG6	Black/black	-90		
	964 521 003 34 XG7	Mahogany/mahogany	-90		
	964 521 003 34 XG8	Marine blue/blue	-90		
	964 521 003 34 XG9	Burgundy/burgundy	-90		
	964 521 003 34 XF7	Linen/linen	-90		
	964 521 003 34 XG5	Cashmere beige/cash. beige	-90		
	964 521 003 34 ATJ	Black/black	91-		
	964 521 003 34 AQT	Classic grey/classic grey	91-		
	964 521 003 34 AQU	Cobalt blue/cobalt blue	91-		
	964 521 003 34 ASJ	Magenta/Magenta	91-		
	964 521 003 34 AQJ	Light grey/light grey	91-		
	964 521 003 34 ATW	Cashmere beige/cash. beige	91-		
	964 521 003 34 BQJ	Marine blue/marine blue	91-		
(1)	964 521 004 34	Comfort seat with Lumbar support Leather/ Centre part in cloth Multicolour	/R	1	M438
	964 521 004 34 XG6	Black/black	-90		
	964 521 004 34 XG7	Mahogany/mahogany	-90		
	964 521 004 34 XG8	Marine blue/blue	-90		

Model: STZ Model life 1985>>1998

Pos	Part Number	Description	Remark	Qty	Model
	964 521 004 34 XG9	Burgundy/burgundy	-90		
	964 521 004 34 XF7	Linen/linen	-90		
	964 521 004 34 XG5	Cashmere beige/cash. beige	-90		
	964 521 004 34 ATJ	Black/black	91-		
	964 521 004 34 AQT	Classic grey/classic grey	91-		
	964 521 004 34 AQU	Cobalt blue/cobalt blue	91-		
	964 521 004 34 ASJ	Magenta/Magenta	91-		
	964 521 004 34 AQJ	Light grey/light grey	91-		
	964 521 004 34 ATW	Cashmere beige/cash. beige	91-		
	964 521 004 34 BQJ	Marine blue/marine blue	91-		
1	964 521 003 40	Comfort seat Lumbar support with heating Leather/ Centre part in cloth Multicolour	/L	1	M437
	964 521 003 40 XG6	Black/black	-90		
	964 521 003 40 XG7	Mahogany/mahogany	-90		
	964 521 003 40 XG8	Marine blue/blue	-90		
	964 521 003 40 XG9	Burgundy/burgundy	-90		
	964 521 003 40 XF7	Linen/linen	-90		
	964 521 003 40 XG5	Cashmere beige/cash. beige	-90		
	964 521 003 40 ATJ	Black/black	91-		
	964 521 003 40 AQT	Classic grey/classic grey	91-		
	964 521 003 40 AQU	Cobalt blue/cobalt blue	91-		
	964 521 003 40 ASJ	Magenta/Magenta	91-		
	964 521 003 40 AQJ	Light grey/light grey	91-		
	964 521 003 40 ATW	Cashmere beige/cash. beige	91-		
	964 521 003 40 BQJ	Marine blue/marine blue	91-		
(1)	964 521 004 40	Comfort seat Lumbar support with heating Leather/ Centre part in cloth Multicolour	/R	1	M438
	964 521 004 40 XG6	Black/black	-90		
	964 521 004 40 XG7	Mahogany/mahogany	-90		
	964 521 004 40 XG8	Marine blue/blue	-90		
	964 521 004 40 XG9	Burgundy/burgundy	-90		
	964 521 004 40 XF7	Linen/linen	-90		
	964 521 004 40 XG5	Cashmere beige/cash. beige	-90		
	964 521 004 40 ATJ	Black/black	91-		
	964 521 004 40 AQT	Classic grey/classic grey	91-		
	964 521 004 40 AQU	Cobalt blue/cobalt blue	91-		
	964 521 004 40 ASJ	Magenta/Magenta	91-		
	964 521 004 40 AQJ	Light grey/light grey	91-		
	964 521 004 40 ATW	Cashmere beige/cash. beige	91-		
	964 521 004 40 BQJ	Marine blue/marine blue	91-		
1	964 521 003 22	Comfort seat Leather/ Centre part Porsche lettering cloth	/L	1	M437
	964 521 003 22 QB2	Black/black	-90		
	964 521 003 22 TU3	Mahogany/mahogany	-90		
	964 521 003 22 TR3	Marine blue/blue	-90		
	964 521 003 22 QB8	Burgundy/burgundy	-90		
	964 521 003 22 XF6	Linen/linen	-90		
	964 521 003 22 XF9	Cashmere beige/cash. beige	-90		
	964 521 003 22 ATD	Black/black	91-		
	964 521 003 22 APG	Classic grey/classic grey	91-		
	964 521 003 22 ARG	Cobalt blue/cobalt blue	91-		
	964 521 003 22 ASG	Magenta/Magenta	91-		
	964 521 003 22 AQG	Light grey/light grey	91-		

Model: STZ Model life 1985>>1998

Pos	Part Number	Description	Remark	Qty	Model
(1)	964 521 003 22 ATU	Cashmere beige/cash. beige	91-	1	M438
	964 521 003 22 BQL	Marine blue/marine blue	91-		
	964 521 004 22	Comfort seat Leather/ Centre part Porsche lettering cloth	/R		
	964 521 004 22 QB2	Black/black	-90		
	964 521 004 22 TU3	Mahogany/mahogany	-90		
	964 521 004 22 TR3	Marine blue/blue	-90		
	964 521 004 22 QB8	Burgundy/burgundy	-90		
	964 521 004 22 XF6	Linen/linen	-90		
	964 521 004 22 XF9	Linen/linen	-90		
	964 521 004 22 ATD	Black/black	91-		
	964 521 004 22 APG	Classic grey/classic grey	91-		
	964 521 004 22 ARG	Cobalt blue/cobalt blue	91-		
	964 521 004 22 ASG	Magenta/Magenta	91-		
	964 521 004 22 AQG	Light grey/light grey	91-		
1	964 521 004 22 ATU	Cashmere beige/cash. beige	91-	1	M437
	964 521 004 22 BQL	Marine blue/marine blue	91-		
	964 521 003 28	Comfort seat with heating Leather/ Centre part Porsche lettering cloth	/L		
	964 521 003 28 QB2	Black/black	-90		
	964 521 003 28 TU3	Mahogany/mahogany	-90		
	964 521 003 28 TR3	Marine blue/blue	-90		
	964 521 003 28 QB8	Burgundy/burgundy	-90		
	964 521 003 28 XF6	Linen/linen	-90		
	964 521 003 28 XF9	Cashmere beige/cash. beige	-90		
	964 521 003 28 ATD	Black/black	91-		
	964 521 003 28 APG	Classic grey/classic grey	91-		
	964 521 003 28 ARG	Cobalt blue/cobalt blue	91-		
	964 521 003 28 ASG	Magenta/Magenta	91-		
	964 521 003 28 AQG	Light grey/light grey	91-		
(1)	964 521 003 28 ATU	Cashmere beige/cash. beige	91-	1	M438
	964 521 003 28 BQL	Marine blue/marine blue	91-		
	964 521 004 28	Comfort seat with heating Leather/ Centre part Porsche lettering cloth	/R		
	964 521 004 28 QB2	Black/black	-90		
	964 521 004 28 TU3	Mahogany/mahogany	-90		
	964 521 004 28 TR3	Marine blue/blue	-90		
	964 521 004 28 QB8	Burgundy/burgundy	-90		
	964 521 004 28 XF6	Linen/linen	-90		
	964 521 004 28 XF9	Cashmere beige/cash. beige	-90		
	964 521 004 28 ATD	Black/black	91-		
	964 521 004 28 APG	Classic grey/classic grey	91-		
	964 521 004 28 ARG	Cobalt blue/cobalt blue	91-		
	964 521 004 28 ASG	Magenta/Magenta	91-		
	964 521 004 28 AQG	Light grey/light grey	91-		
1	964 521 004 28 ATU	Cashmere beige/cash. beige	91-	1	M437
	964 521 004 28 BQL	Marine blue/marine blue	91-		
	964 521 003 34	Comfort seat with Lumbar support Leather/ Centre part Porsche lettering cloth	/L		
	964 521 003 34 QB2	Black/black	-90		
	964 521 003 34 TU3	Mahogany/mahogany	-90		

Model: STZ Model life 1985>>1998

Pos	Part Number	Description	Remark	Qty	Model
	964 521 003 34 TR3	Marine blue/blue	-90		
	964 521 003 34 QB8	Burgundy/burgundy	-90		
	964 521 003 34 XF6	Linen/linen	-90		
	964 521 003 34 XF9	Cashmere beige/cash. beige	-90		
	964 521 003 34 ATD	Black/black	91-		
	964 521 003 34 APG	Classic grey/classic grey	91-		
	964 521 003 34 ARG	Cobalt blue/cobalt blue	91-		
	964 521 003 34 ASG	Magenta/Magenta	91-		
	964 521 003 34 AQG	Light grey/light grey	91-		
	964 521 003 34 ATU	Cashmere beige/cash. beige	91-		
	964 521 003 34 BQL	Marine blue/marine blue	91-		
(1)	964 521 004 34	Comfort seat with Lumbar support Leather/ Centre part Porsche lettering cloth	/R	1	M438
	964 521 004 34 QB2	Black/black	-90		
	964 521 004 34 TU3	Mahogany/mahogany	-90		
	964 521 004 34 TR3	Marine blue/blue	-90		
	964 521 004 34 QB8	Burgundy/burgundy	-90		
	964 521 004 34 XF6	Linen/linen	-90		
	964 521 004 34 XF9	Cashmere beige/cash. beige	-90		
	964 521 004 34 ATD	Black/black	91-		
	964 521 004 34 APG	Classic grey/classic grey	91-		
	964 521 004 34 ARG	Cobalt blue/cobalt blue	91-		
	964 521 004 34 ASG	Magenta/Magenta	91-		
	964 521 004 34 AQG	Light grey/light grey	91-		
	964 521 004 34 ATU	Cashmere beige/cash. beige	91-		
	964 521 004 34 BQL	Marine blue/marine blue	91-		
1	964 521 003 40	Comfort seat Lumbar support with heating Leather/ Centre part Porsche lettering cloth	/L	1	M437
	964 521 003 40 QB2	Black/black	-90		
	964 521 003 40 TU3	Mahogany/mahogany	-90		
	964 521 003 40 TR3	Marine blue/blue	-90		
	964 521 003 40 QB8	Burgundy/burgundy	-90		
	964 521 003 40 XF6	Linen/linen	-90		
	964 521 003 40 XF9	Cashmere beige/cash. beige	-90		
	964 521 003 40 ATD	Black/black	91-		
	964 521 003 40 APG	Classic grey/classic grey	91-		
	964 521 003 40 ARG	Cobalt blue/cobalt blue	91-		
	964 521 003 40 ASG	Magenta/Magenta	91-		
	964 521 003 40 AQG	Light grey/light grey	91-		
	964 521 003 40 ATU	Cashmere beige/cash. beige	91-		
	964 521 003 40 BQL	Marine blue/marine blue	91-		
(1)	964 521 004 40	Comfort seat Lumbar support with heating Leather/ Centre part Porsche lettering cloth	/R	1	M438
	964 521 004 40 QB2	Black/black	-90		
	964 521 004 40 TU3	Mahogany/mahogany	-90		
	964 521 004 40 TR3	Marine blue/blue	-90		
	964 521 004 40 QB8	Burgundy/burgundy	-90		
	964 521 004 40 XF6	Linen/linen	-90		
	964 521 004 40 XF9	Cashmere beige/cash. beige	-90		
	964 521 004 40 ATD	Black/black	91-		
	964 521 004 40 APG	Classic grey/classic grey	91-		

Model: STZ Model life 1985&gt;&gt;1998

Pos	Part Number	Description	Remark	Qty	Model
	964 521 004 40 ARG	Cobalt blue/cobalt blue	91-		
	964 521 004 40 ASG	Magenta/Magenta	91-		
	964 521 004 40 AQG	Light grey/light grey	91-		
	964 521 004 40 ATU	Cashmere beige/cash. beige	91-		
	964 521 004 40 BQL	Marine blue/marine blue	91-		
2	964 521 003 19	Comfort seat Leatherette/ Seat and backrest surface Pin stripe velour	/L	1	M437
	964 521 003 19 NY5	Black/ Black-white	-90		
	964 521 003 19 TU7	Mahogany/ Mahogany-white	-90		
	964 521 003 19 TR7	Blue/ Blue-white	-90		
	964 521 003 19 NY8	Burgundy/ Burgundy-white	-90		
	964 521 003 19 XK2	Linen/ Linen white	-90		
	964 521 003 19 XK5	Cashmere beige/ Cashmere beige-white	-90		
(2)	964 521 004 19	Comfort seat Leatherette/ Seat and backrest surface Pin stripe velour	/R	1	M438
	964 521 004 19 NY5	Black/ Black-white	-90		
	964 521 004 19 TU7	Mahogany/ Mahogany-white	-90		
	964 521 004 19 TR7	Blue/ Blue-white	-90		
	964 521 004 19 NY8	Burgundy/ Burgundy-white	-90		
	964 521 004 19 XK2	Linen/ Linen white	-90		
	964 521 004 19 XK5	Cashmere beige/ Cashmere beige-white	-90		
2	964 521 003 25	Comfort seat with heating Leatherette/ Seat and backrest surface Pin stripe velour	/L	1	M437
	964 521 003 25 NY5	Black/ Black-white	-90		
	964 521 003 25 TU7	Mahogany/ Mahogany-white	-90		
	964 521 003 25 TR7	Blue/ Blue-white	-90		
	964 521 003 25 NY8	Burgundy/ Burgundy-white	-90		
	964 521 003 25 XK2	Linen/ Linen white	-90		
	964 521 003 25 XK5	Cashmere beige/ Cashmere beige-white	-90		
(2)	964 521 004 25	Comfort seat with heating Leatherette/ Seat and backrest surface Pin stripe velour	/R	1	M438
	964 521 004 25 NY5	Black/ Black-white	-90		
	964 521 004 25 TU7	Mahogany/ Mahogany-white	-90		



Model: STZ Model life 1985>>1998

Pos	Part Number	Description	Remark	Qty	Model
	964 521 004 25 TR7	Blue/ Blue-white	-90		
	964 521 004 25 NY8	Burgundy/ Burgundy-white	-90		
	964 521 004 25 XK2	Linen/ Linen white	-90		
	964 521 004 25 XK5	Cashmere beige/ Cashmere beige-white	-90		
2	964 521 003 31	Comfort seat with Lumbar support Leatherette/ Seat and backrest surface Pin stripe velour	/L	1	M437
	964 521 003 31 NY5	Black/ Black-white	-90		
	964 521 003 31 TU7	Mahogany/ Mahogany-white	-90		
	964 521 003 31 TR7	Blue/ Blue-white	-90		
	964 521 003 31 NY8	Burgundy/ Burgundy-white	-90		
	964 521 003 31 XK2	Linen/ Linen white	-90		
	964 521 003 31 XK5	Cashmere beige/ Cashmere beige-white	-90		
(2)	964 521 004 31	Comfort seat with Lumbar support Leatherette/ Seat and backrest surface Pin stripe velour	/R	1	M438
	964 521 004 31 NY5	Black/ Black-white	-90		
	964 521 004 31 TU7	Mahogany/ Mahogany-white	-90		
	964 521 004 31 TR7	Blue/ Blue-white	-90		
	964 521 004 31 NY8	Burgundy/ Burgundy-white	-90		
	964 521 004 31 XK2	Linen/ Linen white	-90		
	964 521 004 31 XK5	Cashmere beige/ Cashmere beige-white	-90		
2	964 521 003 37	Comfort seat Lumbar support with heating Leatherette/ Seat and backrest surface Pin stripe velour	/L	1	M437
	964 521 003 37 NY5	Black/ Black-white	-90		
	964 521 003 37 TU7	Mahogany/ Mahogany-white	-90		
	964 521 003 37 TR7	Blue/ Blue-white	-90		
	964 521 003 37 NY8	Burgundy/ Burgundy-white	-90		
	964 521 003 37 XK2	Linen/ Linen white	-90		
	964 521 003 37 XK5	Cashmere beige/ Cashmere beige-white	-90		
(2)	964 521 004 37	Comfort seat	/R	1	M438

Model: STZ Model life 1985>>1998

Pos	Part Number	Description	Remark	Qty	Model
		Lumbar support with heating Leatherette/ Seat and backrest surface Pin stripe velour			
	964 521 004 37 NY5	Black/ Black-white	-90		
	964 521 004 37 TU7	Mahogany/ Mahogany-white	-90		
	964 521 004 37 TR7	Blue/ Blue-white	-90		
	964 521 004 37 NY8	Burgundy/ Burgundy-white	-90		
	964 521 004 37 XK2	Linen/ Linen white	-90		
	964 521 004 37 XK5	Cashmere beige/ Cashmere beige-white	-90		
2	964 521 003 19	Comfort seat Leatherette/ Seat and backrest surface Multicolour	/L	1	M437
	964 521 003 19 XK8	Black/black			
	964 521 003 19 XK9	Mahogany/mahogany	-90		
	964 521 003 19 XN1	Marine blue/marine blue			
	964 521 003 19 XN2	Burgundy/burgundy	-90		
	964 521 003 19 XK4	Linen/linen	-90		
	964 521 003 19 XK7	Cashmere beige/cash. beige			
	964 521 003 19 AQP	Classic grey/classic grey	91-		
	964 521 003 19 AQV	Cobalt blue/cobalt blue	91-		
	964 521 003 19 ASN	Magenta/Magenta	91-		
	964 521 003 19 AQN	Light grey/light grey	91-		
(2)	964 521 004 19	Comfort seat Leatherette/ Seat and backrest surface Multicolour	/R	1	M438
	964 521 004 19 XK8	Black/black			
	964 521 004 19 XK9	Mahogany/mahogany	-90		
	964 521 004 19 XN1	Marine blue/marine blue			
	964 521 004 19 XN2	Burgundy/burgundy	-90		
	964 521 004 19 XK4	Linen/linen	-90		
	964 521 004 19 XK7	Cashmere beige/cash. beige			
	964 521 004 19 AQP	Classic grey/classic grey	91-		
	964 521 004 19 AQV	Cobalt blue/cobalt blue	91-		
	964 521 004 19 ASN	Magenta/Magenta	91-		
	964 521 004 19 AQN	Light grey/light grey	91-		
2	964 521 003 25	Comfort seat with heating Leatherette/ Seat and backrest surface Multicolour	/L	1	M437
	964 521 003 25 XK8	Black/black			
	964 521 003 25 XK9	Mahogany/mahogany	-90		
	964 521 003 25 XN1	Marine blue/marine blue			
	964 521 003 25 XN2	Burgundy/burgundy	-90		
	964 521 003 25 XK4	Linen/linen	-90		
	964 521 003 25 XK7	Cashmere beige/cash. beige			
	964 521 003 25 AQP	Classic grey/classic grey	91-		
	964 521 003 25 AQV	Cobalt blue/cobalt blue	91-		
	964 521 003 25 ASN	Magenta/Magenta	91-		
	964 521 003 25 AQN	Light grey/light grey	91-		
(2)	964 521 004 25	Comfort seat with heating Leatherette/	/R	1	M438

Model: STZ Model life 1985>>1998

Pos	Part Number	Description	Remark	Qty	Model
		Seat and backrest surface Multicolour			
	964 521 004 25 XK8	Black/black			
	964 521 004 25 XK9	Mahogany/mahogany	-90		
	964 521 004 25 XN1	Marine blue/marine blue			
	964 521 004 25 XN2	Burgundy/burgundy	-90		
	964 521 004 25 XK4	Linen/linen	-90		
	964 521 004 25 XK7	Cashmere beige/cash. beige			
	964 521 004 25 AQP	Classic grey/classic grey	91-		
	964 521 004 25 AQV	Cobalt blue/cobalt blue	91-		
	964 521 004 25 ASN	Magenta/Magenta	91-		
	964 521 004 25 AQN	Light grey/light grey	91-		
2	964 521 003 31	Comfort seat with Lumbar support Leatherette/ Seat and backrest surface Multicolour	/L	1	M437
	964 521 003 31 XK8	Black/black			
	964 521 003 31 XK9	Mahogany/mahogany	-90		
	964 521 003 31 XN1	Marine blue/marine blue			
	964 521 003 31 XN2	Burgundy/burgundy	-90		
	964 521 003 31 XK4	Linen/linen	-90		
	964 521 003 31 XK7	Cashmere beige/cash. beige			
	964 521 003 31 AQP	Classic grey/classic grey	91-		
	964 521 003 31 AQV	Cobalt blue/cobalt blue	91-		
	964 521 003 31 ASN	Magenta/Magenta	91-		
	964 521 003 31 AQN	Light grey/light grey	91-		
(2)	964 521 004 31	Comfort seat with Lumbar support Leatherette/ Seat and backrest surface Multicolour	/R	1	M438
	964 521 004 31 XK8	Black/black			
	964 521 004 31 XK9	Mahogany/mahogany	-90		
	964 521 004 31 XN1	Marine blue/marine blue			
	964 521 004 31 XN2	Burgundy/burgundy	-90		
	964 521 004 31 XK4	Linen/linen	-90		
	964 521 004 31 XK7	Cashmere beige/cash. beige			
	964 521 004 31 AQP	Classic grey/classic grey	91-		
	964 521 004 31 AQV	Cobalt blue/cobalt blue	91-		
	964 521 004 31 ASN	Magenta/Magenta	91-		
	964 521 004 31 AQN	Light grey/light grey	91-		
2	964 521 003 37	Comfort seat Lumbar support with heating Leatherette/ Seat and backrest surface Multicolour	/L	1	M437
	964 521 003 37 XK8	Black/black			
	964 521 003 37 XK9	Mahogany/mahogany	-90		
	964 521 003 37 XN1	Marine blue/marine blue			
	964 521 003 37 XN2	Burgundy/burgundy	-90		
	964 521 003 37 XK4	Linen/linen	-90		
	964 521 003 37 XK7	Cashmere beige/cash. beige			
	964 521 003 37 AQP	Classic grey/classic grey	91-		
	964 521 003 37 AQV	Cobalt blue/cobalt blue	91-		
	964 521 003 37 ASN	Magenta/Magenta	91-		
	964 521 003 37 AQN	Light grey/light grey	91-		
(2)	964 521 004 37	Comfort seat Lumbar support with heating	/R	1	M438

Model: STZ Model life 1985>>1998

Pos	Part Number	Description	Remark	Qty	Model
		Leatherette/ Seat and backrest surface Multicolour			
	964 521 004 37 XK8	Black/black			
	964 521 004 37 XK9	Mahogany/mahogany	-90		
	964 521 004 37 XN1	Marine blue/marine blue			
	964 521 004 37 XN2	Burgundy/burgundy	-90		
	964 521 004 37 XK4	Linen/linen	-90		
	964 521 004 37 XK7	Cashmere beige/cash. beige			
	964 521 004 37 AQP	Classic grey/classic grey	91-		
	964 521 004 37 AQV	Cobalt blue/cobalt blue	91-		
	964 521 004 37 ASN	Magenta/Magenta	91-		
	964 521 004 37 AQN	Light grey/light grey	91-		
2	964 521 003 19	Comfort seat Leatherette/ Seat and backrest surface Porsche lettering cloth	/L	1	M437
	964 521 003 19 PX2	Black/black			
	964 521 003 19 TU9	Mahogany/mahogany	-90		
	964 521 003 19 TR9	Marine blue/marine blue			
	964 521 003 19 PX8	Greyish green/grey-green	-90		
	964 521 003 19 XK3	Linen/linen	-90		
	964 521 003 19 XK6	Cashmere beige/cash. beige			
	964 521 003 19 APM	Classic grey/classic grey	91-		
	964 521 003 19 ARM	Cobalt blue/cobalt blue	91-		
	964 521 003 19 ASM	Magenta/Magenta	91-		
	964 521 003 19 AQM	Light grey/light grey	91-		
(2)	964 521 004 19	Comfort seat Leatherette/ Seat and backrest surface Porsche lettering cloth	/R	1	M438
	964 521 004 19 PX2	Black/black			
	964 521 004 19 TU9	Mahogany/mahogany	-90		
	964 521 004 19 TR9	Marine blue/marine blue			
	964 521 004 19 PX8	Greyish green/grey-green	-90		
	964 521 004 19 XK3	Linen/linen	-90		
	964 521 004 19 XK6	Cashmere beige/cash. beige			
	964 521 004 19 APM	Classic grey/classic grey	91-		
	964 521 004 19 ARM	Cobalt blue/cobalt blue	91-		
	964 521 004 19 ASM	Magenta/Magenta	91-		
	964 521 004 19 AQM	Light grey/light grey	91-		
2	964 521 003 25	Comfort seat with heating Leatherette/ Seat and backrest surface Porsche lettering cloth	/L	1	M437
	964 521 003 25 PX2	Black/black			
	964 521 003 25 TU9	Mahogany/mahogany	-90		
	964 521 003 25 TR9	Marine blue/marine blue			
	964 521 003 25 PX8	Greyish green/grey-green	-90		
	964 521 003 25 XK3	Linen/linen	-90		
	964 521 003 25 XK6	Cashmere beige/cash. beige			
	964 521 003 25 APM	Classic grey/classic grey	91-		
	964 521 003 25 ARM	Cobalt blue/cobalt blue	91-		
	964 521 003 25 ASM	Magenta/Magenta	91-		
	964 521 003 25 AQM	Light grey/light grey	91-		
(2)	964 521 004 25	Comfort seat with heating Leatherette/ Seat and backrest surface Porsche lettering cloth	/R	1	M438
	964 521 004 25 PX2	Black/black			
	964 521 004 25 TU9	Mahogany/mahogany	-90		

Model: STZ Model life 1985>>1998

Pos	Part Number	Description	Remark	Qty	Model
	964 521 004 25 TR9	Marine blue/marine blue			
	964 521 004 25 PX8	Greyish green/grey-green	-90		
	964 521 004 25 XK3	Linen/linen	-90		
	964 521 004 25 XK6	Cashmere beige/cash. beige			
	964 521 004 25 APM	Classic grey/classic grey	91-		
	964 521 004 25 ARM	Cobalt blue/cobalt blue	91-		
	964 521 004 25 ASM	Magenta/Magenta	91-		
	964 521 004 25 AQM	Light grey/light grey	91-		
2	964 521 003 31	Comfort seat with Lumbar support Leatherette/ Seat and backrest surface Porsche lettering cloth	/L	1	M437
	964 521 003 31 PX2	Black/black			
	964 521 003 31 TU9	Mahogany/mahogany	-90		
	964 521 003 31 TR9	Marine blue/marine blue			
	964 521 003 31 PX8	Greyish green/grey-green	-90		
	964 521 003 31 XK3	Linen/linen	-90		
	964 521 003 31 XK6	Cashmere beige/cash. beige			
	964 521 003 31 APM	Classic grey/classic grey	91-		
	964 521 003 31 ARM	Cobalt blue/cobalt blue	91-		
	964 521 003 31 ASM	Magenta/Magenta	91-		
	964 521 003 31 AQM	Light grey/light grey	91-		
(2)	964 521 004 31	Comfort seat with Lumbar support Leatherette/ Seat and backrest surface Porsche lettering cloth	/R	1	M438
	964 521 004 31 PX2	Black/black			
	964 521 004 31 TU9	Mahogany/mahogany	-90		
	964 521 004 31 TR9	Marine blue/marine blue			
	964 521 004 31 PX8	Greyish green/grey-green	-90		
	964 521 004 31 XK3	Linen/linen	-90		
	964 521 004 31 XK6	Cashmere beige/cash. beige			
	964 521 004 31 APM	Classic grey/classic grey	91-		
	964 521 004 31 ARM	Cobalt blue/cobalt blue	91-		
	964 521 004 31 ASM	Magenta/Magenta	91-		
	964 521 004 31 AQM	Light grey/light grey	91-		
2	964 521 003 37	Comfort seat Lumbar support with heating Leatherette/ Seat and backrest surface Porsche lettering cloth	/L	1	M437
	964 521 003 37 PX2	Black/black			
	964 521 003 37 TU9	Mahogany/mahogany	-90		
	964 521 003 37 TR9	Marine blue/marine blue			
	964 521 003 37 PX8	Greyish green/grey-green	-90		
	964 521 003 37 XK3	Linen/linen	-90		
	964 521 003 37 XK6	Cashmere beige/cash. beige			
	964 521 003 37 APM	Classic grey/classic grey	91-		
	964 521 003 37 ARM	Cobalt blue/cobalt blue	91-		
	964 521 003 37 ASM	Magenta/Magenta	91-		
	964 521 003 37 AQM	Light grey/light grey	91-		
(2)	964 521 004 37	Comfort seat Lumbar support with heating Leatherette/ Seat and backrest surface Porsche lettering cloth	/R	1	M438
	964 521 004 37 PX2	Black/black			

Model: STZ Model life 1985>>1998

Pos	Part Number	Description	Remark	Qty	Model
	964 521 004 37 TU9	Mahogany/mahogany	-90		
	964 521 004 37 TR9	Marine blue/marine blue			
	964 521 004 37 PX8	Greyish green/grey-green	-90		
	964 521 004 37 XK3	Linen/linen	-90		
	964 521 004 37 XK6	Cashmere beige/cash. beige			
	964 521 004 37 APM	Classic grey/classic grey	91-		
	964 521 004 37 ARM	Cobalt blue/cobalt blue	91-		
	964 521 004 37 ASM	Magenta/Magenta	91-		
	964 521 004 37 AQM	Light grey/light grey	91-		
3	964 521 003 21	Comfort seat Leatherette/ Seat and backrest surface Leather	/L	1	M437
	964 521 003 21 JN3	Black/black	-90		
	964 521 003 21 TV2	Mahogany	-90		
	964 521 003 21 TS2	Marine blue/marine blue	-90		
	964 521 003 21 NZ8	Burgundy/burgundy	-90		
	964 521 003 21 TW2	Linen/linen	-90		
	964 521 003 21 XN3	Cashmere beige	-90		
	964 521 003 21 ATG	Black/black	91-		
	964 521 003 21 APK	Classic grey/classic grey	91-		
	964 521 003 21 ARK	Cobalt blue/cobalt blue	91-		
	964 521 003 21 ASK	Magenta/Magenta	91-		
	964 521 003 21 AQK	Light grey/light grey	91-		
	964 521 003 21 ATX	Cashmere beige/cash. beige	91-		
	964 521 003 21 BQA	Marine blue/marine blue	91-		
(3)	964 521 004 21	Comfort seat Leatherette/ Seat and backrest surface Leather	/R	1	M438
	964 521 004 21 JN3	Black/black	-90		
	964 521 004 21 TV2	Mahogany	-90		
	964 521 004 21 TS2	Marine blue/marine blue	-90		
	964 521 004 21 NZ8	Burgundy/burgundy	-90		
	964 521 004 21 TW2	Linen/linen	-90		
	964 521 004 21 XN3	Cashmere beige	-90		
	964 521 004 21 ATG	Black/black	91-		
	964 521 004 21 APK	Classic grey/classic grey	91-		
	964 521 004 21 ARK	Cobalt blue/cobalt blue	91-		
	964 521 004 21 ASK	Magenta/Magenta	91-		
	964 521 004 21 AQK	Light grey/light grey	91-		
	964 521 004 21 ATX	Cashmere beige/cash. beige	91-		
	964 521 004 21 BQA	Marine blue/marine blue	91-		
3	964 521 003 27	Comfort seat with heating Leatherette/ Seat and backrest surface Leather	/L	1	M437
	964 521 003 27 JN3	Black/black	-90		
	964 521 003 27 TV2	Mahogany	-90		
	964 521 003 27 TS2	Marine blue/marine blue	-90		
	964 521 003 27 NZ8	Burgundy/burgundy	-90		
	964 521 003 27 TW2	Linen/linen	-90		
	964 521 003 27 XN3	Cashmere beige	-90		
	964 521 003 27 ATG	Black/black	91-		
	964 521 003 27 APK	Classic grey/classic grey	91-		
	964 521 003 27 ARK	Cobalt blue/cobalt blue	91-		
	964 521 003 27 ASK	Magenta/Magenta	91-		
	964 521 003 27 AQK	Light grey/light grey	91-		
	964 521 003 27 ATX	Cashmere beige/cash. beige	91-		
	964 521 003 27 BQA	Marine blue/marine blue	91-		
(3)	964 521 004 27	Comfort seat with heating	/R	1	M438

Model: STZ Model life 1985>>1998

Pos	Part Number	Description	Remark	Qty	Model
		Leatherette/ Seat and backrest surface Leather			
	964 521 004 27 JN3	Black/black	-90		
	964 521 004 27 TV2	Mahogany	-90		
	964 521 004 27 TS2	Marine blue/marine blue	-90		
	964 521 004 27 NZ8	Burgundy/burgundy	-90		
	964 521 004 27 TW2	Linen/linen	-90		
	964 521 004 27 XN3	Cashmere beige	-90		
	964 521 004 27 ATG	Black/black	91-		
	964 521 004 27 APK	Classic grey/classic grey	91-		
	964 521 004 27 ARK	Cobalt blue/cobalt blue	91-		
	964 521 004 27 ASK	Magenta/Magenta	91-		
	964 521 004 27 AQK	Light grey/light grey	91-		
	964 521 004 27 ATX	Cashmere beige/cash. beige	91-		
	964 521 004 27 BQA	Marine blue/marine blue	91-		
3	964 521 003 33	Comfort seat with Lumbar support Leatherette/ Seat and backrest surface Leather	/L	1	M437
	964 521 003 33 JN3	Black/black	-90		
	964 521 003 33 TV2	Mahogany	-90		
	964 521 003 33 TS2	Marine blue/marine blue	-90		
	964 521 003 33 NZ8	Burgundy/burgundy	-90		
	964 521 003 33 TW2	Linen/linen	-90		
	964 521 003 33 XN3	Cashmere beige	-90		
	964 521 003 33 ATG	Black/black	91-		
	964 521 003 33 APK	Classic grey/classic grey	91-		
	964 521 003 33 ARK	Cobalt blue/cobalt blue	91-		
	964 521 003 33 ASK	Magenta/Magenta	91-		
	964 521 003 33 AQK	Light grey/light grey	91-		
	964 521 003 33 ATX	Cashmere beige/cash. beige	91-		
	964 521 003 33 BQA	Marine blue/marine blue	91-		
(3)	964 521 004 33	Comfort seat with Lumbar support Leatherette/ Seat and backrest surface Leather	/R	1	M438
	964 521 004 33 JN3	Black/black	-90		
	964 521 004 33 TV2	Mahogany	-90		
	964 521 004 33 TS2	Marine blue/marine blue	-90		
	964 521 004 33 NZ8	Burgundy/burgundy	-90		
	964 521 004 33 TW2	Linen/linen	-90		
	964 521 004 33 XN3	Cashmere beige	-90		
	964 521 004 33 ATG	Black/black	91-		
	964 521 004 33 APK	Classic grey/classic grey	91-		
	964 521 004 33 ARK	Cobalt blue/cobalt blue	91-		
	964 521 004 33 ASK	Magenta/Magenta	91-		
	964 521 004 33 AQK	Light grey/light grey	91-		
	964 521 004 33 ATX	Cashmere beige/cash. beige	91-		
	964 521 004 33 BQA	Marine blue/marine blue	91-		
3	964 521 003 39	Comfort seat Lumbar support with heating Leatherette/ Seat and backrest surface Leather	/L	1	M437
	964 521 003 39 JN3	Black/black	-90		
	964 521 003 39 TV2	Mahogany	-90		
	964 521 003 39 TS2	Marine blue/marine blue	-90		

Model: STZ Model life 1985>>1998

Pos	Part Number	Description	Remark	Qty	Model	
(3)	964 521 003 39 NZ8	Burgundy/burgundy	-90	1	M438	
	964 521 003 39 TW2	Linen/linen	-90			
	964 521 003 39 XN3	Cashmere beige	-90			
	964 521 003 39 ATG	Black/black	91-			
	964 521 003 39 APK	Classic grey/classic grey	91-			
	964 521 003 39 ARK	Cobalt blue/cobalt blue	91-			
	964 521 003 39 ASK	Magenta/Magenta	91-			
	964 521 003 39 AQK	Light grey/light grey	91-			
	964 521 003 39 ATX	Cashmere beige/cash. beige	91-			
	964 521 003 39 BQA	Marine blue/marine blue	91-			
	964 521 004 39	Comfort seat	/R			
		Lumbar support				
		with heating				
		Leatherette/				
		Seat and backrest surface				
		Leather				
		964 521 004 39 JN3	Black/black			-90
		964 521 004 39 TV2	Mahogany			-90
		964 521 004 39 TS2	Marine blue/marine blue			-90
		964 521 004 39 NZ8	Burgundy/burgundy			-90
		964 521 004 39 TW2	Linen/linen			-90
	964 521 004 39 XN3	Cashmere beige	-90			
	964 521 004 39 ATG	Black/black	91-			
	964 521 004 39 APK	Classic grey/classic grey	91-			
	964 521 004 39 ARK	Cobalt blue/cobalt blue	91-			
	964 521 004 39 ASK	Magenta/Magenta	91-			
	964 521 004 39 AQK	Light grey/light grey	91-			
	964 521 004 39 ATX	Cashmere beige/cash. beige	91-			
	964 521 004 39 BQA	Marine blue/marine blue	91-			
3	964 521 003 23	Comfort seat	/L	1	M437	
		Whole-leather				
	964 521 003 23 KZ2	Black	-90			
	964 521 003 23 TV1	Mahogany	-90			
	964 521 003 23 TS1	Marine blue	-90			
	964 521 003 23 LG7	Burgundy	-90			
	964 521 003 23 XG3	Caramel	-90			
	964 521 003 23 TW1	Linen	-90			
	964 521 003 23 XG4	Venetian blue	-90			
	964 521 003 23 XN4	Cashmere beige	-90			
	964 521 003 23 XN5	Silk grey	-90			
	964 521 003 23 XN6	Velvet red	-90			
	964 521 003 23 XN7	Slate grey	-90			
	964 521 003 23 ATH	Black	91-			
	964 521 003 23 APL	Classic grey	91-			
	964 521 003 23 ARL	Cobalt blue	91-			
	964 521 003 23 ASL	Magenta	91-			
	964 521 003 23 AQL	Light grey	91-			
	964 521 003 23 ATY	Cashmere beige	91-			
	964 521 003 23 AVF	Matador red	91-			
	964 521 003 23 AVG	Carrara grey	91-			
	964 521 003 23 AVH	Sherwood green	91-			
	964 521 003 23 BQB	Marine blue	91-			
(3)	964 521 004 23	Comfort seat	/R	1	M438	
		Whole-leather				
	964 521 004 23 KZ2	Black	-90			
	964 521 004 23 TV1	Mahogany	-90			
	964 521 004 23 TS1	Marine blue	-90			
	964 521 004 23 LG7	Burgundy	-90			
	964 521 004 23 XG3	Caramel	-90			
	964 521 004 23 TW1	Linen	-90			
	964 521 004 23 XG4	Venetian blue	-90			
	964 521 004 23 XN4	Cashmere beige	-90			
	964 521 004 23 XN5	Silk grey	-90			



Model: STZ Model life 1985>>1998

Pos	Part Number	Description	Remark	Qty	Model
	964 521 004 23 XN6	Velvet red	-90		
	964 521 004 23 XN7	Slate grey	-90		
	964 521 004 23 ATH	Black	91-		
	964 521 004 23 APL	Classic grey	91-		
	964 521 004 23 ARL	Cobalt blue	91-		
	964 521 004 23 ASL	Magenta	91-		
	964 521 004 23 AQL	Light grey	91-		
	964 521 004 23 ATY	Cashmere beige	91-		
	964 521 004 23 AVF	Matador red	91-		
	964 521 004 23 AVG	Carrara grey	91-		
	964 521 004 23 AVH	Sherwood green	91-		
	964 521 004 23 BQB	Marine blue	91-		
3	964 521 003 29	Comfort seat with heating Whole-leather	/L	1	M437
	964 521 003 29 KZ2	Black	-90		
	964 521 003 29 TV1	Mahogany	-90		
	964 521 003 29 TS1	Marine blue	-90		
	964 521 003 29 LG7	Burgundy	-90		
	964 521 003 29 XG3	Caramel	-90		
	964 521 003 29 TW1	Linen	-90		
	964 521 003 29 XG4	Venetian blue	-90		
	964 521 003 29 XN4	Cashmere beige	-90		
	964 521 003 29 XN5	Silk grey	-90		
	964 521 003 29 XN6	Velvet red	-90		
	964 521 003 29 XN7	Slate grey	-90		
	964 521 003 29 ATH	Black	91-		
	964 521 003 29 APL	Classic grey	91-		
	964 521 003 29 ARL	Cobalt blue	91-		
	964 521 003 29 ASL	Magenta	91-		
	964 521 003 29 AQL	Light grey	91-		
	964 521 003 29 ATY	Cashmere beige	91-		
	964 521 003 29 AVF	Matador red	91-		
	964 521 003 29 AVG	Carrara grey	91-		
	964 521 003 29 AVH	Sherwood green	91-		
	964 521 003 29 BQB	Marine blue	91-		
(3)	964 521 004 29	Comfort seat with heating Whole-leather	/R	1	M438
	964 521 004 29 KZ2	Black	-90		
	964 521 004 29 TV1	Mahogany	-90		
	964 521 004 29 TS1	Marine blue	-90		
	964 521 004 29 LG7	Burgundy	-90		
	964 521 004 29 XG3	Caramel	-90		
	964 521 004 29 TW1	Linen	-90		
	964 521 004 29 XG4	Venetian blue	-90		
	964 521 004 29 XN4	Cashmere beige	-90		
	964 521 004 29 XN5	Silk grey	-90		
	964 521 004 29 XN6	Velvet red	-90		
	964 521 004 29 XN7	Slate grey	-90		
	964 521 004 29 ATH	Black	91-		
	964 521 004 29 APL	Classic grey	91-		
	964 521 004 29 ARL	Cobalt blue	91-		
	964 521 004 29 ASL	Magenta	91-		
	964 521 004 29 AQL	Light grey	91-		
	964 521 004 29 ATY	Cashmere beige	91-		
	964 521 004 29 AVF	Matador red	91-		
	964 521 004 29 AVG	Carrara grey	91-		
	964 521 004 29 AVH	Sherwood green	91-		
	964 521 004 29 BQB	Marine blue	91-		
3	964 521 003 35	Comfort seat with Lumbar support	/L	1	M437

Model: STZ Model life 1985>>1998

Pos	Part Number	Description	Remark	Qty	Model
		Whole-leather			
	964 521 003 35 KZ2	Black	-90		
	964 521 003 35 TV1	Mahogany	-90		
	964 521 003 35 TS1	Marine blue	-90		
	964 521 003 35 LG7	Burgundy	-90		
	964 521 003 35 XG3	Caramel	-90		
	964 521 003 35 TW1	Linen	-90		
	964 521 003 35 XG4	Venetian blue	-90		
	964 521 003 35 XN4	Cashmere beige	-90		
	964 521 003 35 XN5	Silk grey	-90		
	964 521 003 35 XN6	Velvet red	-90		
	964 521 003 35 XN7	Slate grey	-90		
	964 521 003 35 ATH	Black	91-		
	964 521 003 35 APL	Classic grey	91-		
	964 521 003 35 ARL	Cobalt blue	91-		
	964 521 003 35 ASL	Magenta	91-		
	964 521 003 35 AQL	Light grey	91-		
	964 521 003 35 ATY	Cashmere beige	91-		
	964 521 003 35 AVF	Matador red	91-		
	964 521 003 35 AVG	Carrara grey	91-		
	964 521 003 35 AVH	Sherwood green	91-		
	964 521 003 35 BQB	Marine blue	91-		
(3)	964 521 004 35	Comfort seat with Lumbar support Whole-leather	/R	1	M438
	964 521 004 35 KZ2	Black	-90		
	964 521 004 35 TV1	Mahogany	-90		
	964 521 004 35 TS1	Marine blue	-90		
	964 521 004 35 LG7	Burgundy	-90		
	964 521 004 35 XG3	Caramel	-90		
	964 521 004 35 TW1	Linen	-90		
	964 521 004 35 XG4	Venetian blue	-90		
	964 521 004 35 XN4	Cashmere beige	-90		
	964 521 004 35 XN5	Silk grey	-90		
	964 521 004 35 XN6	Velvet red	-90		
	964 521 004 35 XN7	Slate grey	-90		
	964 521 004 35 ATH	Black	91-		
	964 521 004 35 APL	Classic grey	91-		
	964 521 004 35 ARL	Cobalt blue	91-		
	964 521 004 35 ASL	Magenta	91-		
	964 521 004 35 AQL	Light grey	91-		
	964 521 004 35 ATY	Cashmere beige	91-		
	964 521 004 35 AVF	Matador red	91-		
	964 521 004 35 AVG	Carrara grey	91-		
	964 521 004 35 AVH	Sherwood green	91-		
	964 521 004 35 BQB	Marine blue	91-		
3	964 521 003 41	Comfort seat Lumbar support with heating Whole-leather	/L	1	M437
	964 521 003 41 KZ2	Black	-90		
	964 521 003 41 TV1	Mahogany	-90		
	964 521 003 41 TS1	Marine blue	-90		
	964 521 003 41 LG7	Burgundy	-90		
	964 521 003 41 XG3	Caramel	-90		
	964 521 003 41 TW1	Linen	-90		
	964 521 003 41 XG4	Venetian blue	-90		
	964 521 003 41 XN4	Cashmere beige	-90		
	964 521 003 41 XN5	Silk grey	-90		
	964 521 003 41 XN6	Velvet red	-90		
	964 521 003 41 XN7	Slate grey	-90		
	964 521 003 41 ATH	Black	91-		

Model: STZ Model life 1985>>1998

Pos	Part Number	Description	Remark	Qty	Model
	964 521 003 41 APL	Classic grey	91-		
	964 521 003 41 ARL	Cobalt blue	91-		
	964 521 003 41 ASL	Magenta	91-		
	964 521 003 41 AQL	Light grey	91-		
	964 521 003 41 ATY	Cashmere beige	91-		
	964 521 003 41 AVF	Matador red	91-		
	964 521 003 41 AVG	Carrara grey	91-		
	964 521 003 41 AVH	Sherwood green	91-		
	964 521 003 41 BQB	Marine blue	91-		
(3)	964 521 004 41	Comfort seat Lumbar support with heating Whole-leather	/R	1	M438
	964 521 004 41 KZ2	Black	-90		
	964 521 004 41 TV1	Mahogany	-90		
	964 521 004 41 TS1	Marine blue	-90		
	964 521 004 41 LG7	Burgundy	-90		
	964 521 004 41 XG3	Caramel	-90		
	964 521 004 41 TW1	Linen	-90		
	964 521 004 41 XG4	Venetian blue	-90		
	964 521 004 41 XN4	Cashmere beige	-90		
	964 521 004 41 XN5	Silk grey	-90		
	964 521 004 41 XN6	Velvet red	-90		
	964 521 004 41 XN7	Slate grey	-90		
	964 521 004 41 ATH	Black	91-		
	964 521 004 41 APL	Classic grey	91-		
	964 521 004 41 ARL	Cobalt blue	91-		
	964 521 004 41 ASL	Magenta	91-		
	964 521 004 41 AQL	Light grey	91-		
	964 521 004 41 ATY	Cashmere beige	91-		
	964 521 004 41 AVF	Matador red	91-		
	964 521 004 41 AVG	Carrara grey	91-		
	964 521 004 41 AVH	Sherwood green	91-		
	964 521 004 41 BQB	Marine blue	91-		
3	964 521 003 24	Comfort seat Draped leather	/L	1	M437
	964 521 003 24 KZ2	Black	-90		
	964 521 003 24 TV1	Mahogany	-90		
	964 521 003 24 TS1	Marine blue	-90		
	964 521 003 24 LG7	Burgundy	-90		
	964 521 003 24 XG3	Caramel	-90		
	964 521 003 24 TW1	Linen	-90		
	964 521 003 24 XG4	Venetian blue	-90		
	964 521 003 24 XN4	Cashmere beige	-90		
	964 521 003 24 XN5	Silk grey	-90		
	964 521 003 24 XN6	Velvet red	-90		
	964 521 003 24 XN7	Slate grey	-90		
	964 521 003 24 ATH	Black	91-		
	964 521 003 24 APL	Classic grey	91-		
	964 521 003 24 ARL	Cobalt blue	91-		
	964 521 003 24 ASL	Magenta	91-		
	964 521 003 24 AQL	Light grey	91-		
	964 521 003 24 ATY	Cashmere beige	91-		
	964 521 003 24 AVF	Matador red	91-		
	964 521 003 24 AVG	Carrara grey	91-		
	964 521 003 24 AVH	Sherwood green	91-		
	964 521 003 24 BQB	Marine blue	91-		
(3)	964 521 004 24	Comfort seat Draped leather	/R	1	M438
	964 521 004 24 KZ2	Black	-90		
	964 521 004 24 TV1	Mahogany	-90		
	964 521 004 24 TS1	Marine blue	-90		
	964 521 004 24 LG7	Burgundy	-90		

Model: STZ Model life 1985>>1998

Pos	Part Number	Description	Remark	Qty	Model
	964 521 004 24 XG3	Caramel	-90		
	964 521 004 24 TW1	Linen	-90		
	964 521 004 24 XG4	Venetian blue	-90		
	964 521 004 24 XN4	Cashmere beige	-90		
	964 521 004 24 XN5	Silk grey	-90		
	964 521 004 24 XN6	Velvet red	-90		
	964 521 004 24 XN7	Slate grey	-90		
	964 521 004 24 ATH	Black	91-		
	964 521 004 24 APL	Classic grey	91-		
	964 521 004 24 ARL	Cobalt blue	91-		
	964 521 004 24 ASL	Magenta	91-		
	964 521 004 24 AQL	Light grey	91-		
	964 521 004 24 ATY	Cashmere beige	91-		
	964 521 004 24 AVF	Matador red	91-		
	964 521 004 24 AVG	Carrara grey	91-		
	964 521 004 24 AVH	Sherwood green	91-		
	964 521 004 24 BQB	Marine blue	91-		
3	964 521 003 30	Comfort seat with heating Draped leather	/L	1	M437
	964 521 003 30 KZ2	Black	-90		
	964 521 003 30 TV1	Mahogany	-90		
	964 521 003 30 TS1	Marine blue	-90		
	964 521 003 30 LG7	Burgundy	-90		
	964 521 003 30 XG3	Caramel	-90		
	964 521 003 30 TW1	Linen	-90		
	964 521 003 30 XG4	Venetian blue	-90		
	964 521 003 30 XN4	Cashmere beige	-90		
	964 521 003 30 XN5	Silk grey	-90		
	964 521 003 30 XN6	Velvet red	-90		
	964 521 003 30 XN7	Slate grey	-90		
	964 521 003 30 ATH	Black	91-		
	964 521 003 30 APL	Classic grey	91-		
	964 521 003 30 ARL	Cobalt blue	91-		
	964 521 003 30 ASL	Magenta	91-		
	964 521 003 30 AQL	Light grey	91-		
	964 521 003 30 ATY	Cashmere beige	91-		
	964 521 003 30 AVF	Matador red	91-		
	964 521 003 30 AVG	Carrara grey	91-		
	964 521 003 30 AVH	Sherwood green	91-		
	964 521 003 30 BQB	Marine blue	91-		
(3)	964 521 004 30	Comfort seat with heating Draped leather	/R	1	M438
	964 521 004 30 KZ2	Black	-90		
	964 521 004 30 TV1	Mahogany	-90		
	964 521 004 30 TS1	Marine blue	-90		
	964 521 004 30 LG7	Burgundy	-90		
	964 521 004 30 XG3	Caramel	-90		
	964 521 004 30 TW1	Linen	-90		
	964 521 004 30 XG4	Venetian blue	-90		
	964 521 004 30 XN4	Cashmere beige	-90		
	964 521 004 30 XN5	Silk grey	-90		
	964 521 004 30 XN6	Velvet red	-90		
	964 521 004 30 XN7	Slate grey	-90		
	964 521 004 30 ATH	Black	91-		
	964 521 004 30 APL	Classic grey	91-		
	964 521 004 30 ARL	Cobalt blue	91-		
	964 521 004 30 ASL	Magenta	91-		
	964 521 004 30 AQL	Light grey	91-		
	964 521 004 30 ATY	Cashmere beige	91-		
	964 521 004 30 AVF	Matador red	91-		
	964 521 004 30 AVG	Carrara grey	91-		

Model: STZ Model life 1985>>1998

Pos	Part Number	Description	Remark	Qty	Model
3	964 521 004 30 AVH	Sherwood green	91-	1	M437
	964 521 004 30 BQB	Marine blue	91-		
	964 521 003 36	Comfort seat with Lumbar support Draped leather	/L		
	964 521 003 36 KZ2	Black	-90		
	964 521 003 36 TV1	Mahogany	-90		
	964 521 003 36 TS1	Marine blue	-90		
	964 521 003 36 LG7	Burgundy	-90		
	964 521 003 36 XG3	Caramel	-90		
	964 521 003 36 TW1	Linen	-90		
	964 521 003 36 XG4	Venetian blue	-90		
	964 521 003 36 XN4	Cashmere beige	-90		
	964 521 003 36 XN5	Silk grey	-90		
	964 521 003 36 XN6	Velvet red	-90		
	964 521 003 36 XN7	Slate grey	-90		
	964 521 003 36 ATH	Black	91-		
	964 521 003 36 APL	Classic grey	91-		
	964 521 003 36 ARL	Cobalt blue	91-		
	964 521 003 36 ASL	Magenta	91-		
	964 521 003 36 AQL	Light grey	91-		
	964 521 003 36 ATY	Cashmere beige	91-		
964 521 003 36 AVF	Matador red	91-			
964 521 003 36 AVG	Carrara grey	91-			
964 521 003 36 AVH	Sherwood green	91-			
(3)	964 521 003 36 BQB	Marine blue	91-	1	M438
	964 521 004 36	Comfort seat with Lumbar support Draped leather	/R		
	964 521 004 36 KZ2	Black	-90		
	964 521 004 36 TV1	Mahogany	-90		
	964 521 004 36 TS1	Marine blue	-90		
	964 521 004 36 LG7	Burgundy	-90		
	964 521 004 36 XG3	Caramel	-90		
	964 521 004 36 TW1	Linen	-90		
	964 521 004 36 XG4	Venetian blue	-90		
	964 521 004 36 XN4	Cashmere beige	-90		
	964 521 004 36 XN5	Silk grey	-90		
	964 521 004 36 XN6	Velvet red	-90		
	964 521 004 36 XN7	Slate grey	-90		
	964 521 004 36 ATH	Black	91-		
	964 521 004 36 APL	Classic grey	91-		
	964 521 004 36 ARL	Cobalt blue	91-		
	964 521 004 36 ASL	Magenta	91-		
	964 521 004 36 AQL	Light grey	91-		
	964 521 004 36 ATY	Cashmere beige	91-		
	964 521 004 36 AVF	Matador red	91-		
964 521 004 36 AVG	Carrara grey	91-			
964 521 004 36 AVH	Sherwood green	91-			
3	964 521 004 36 BQB	Marine blue	91-	1	M437
	964 521 003 42	Comfort seat with heating Draped leather	/L		
	964 521 003 42 KZ2	Black	-90		
	964 521 003 42 TV1	Mahogany	-90		
	964 521 003 42 TS1	Marine blue	-90		
	964 521 003 42 LG7	Burgundy	-90		
	964 521 003 42 XG3	Caramel	-90		
	964 521 003 42 TW1	Linen	-90		
	964 521 003 42 XG4	Venetian blue	-90		

Model: STZ Model life 1985>>1998

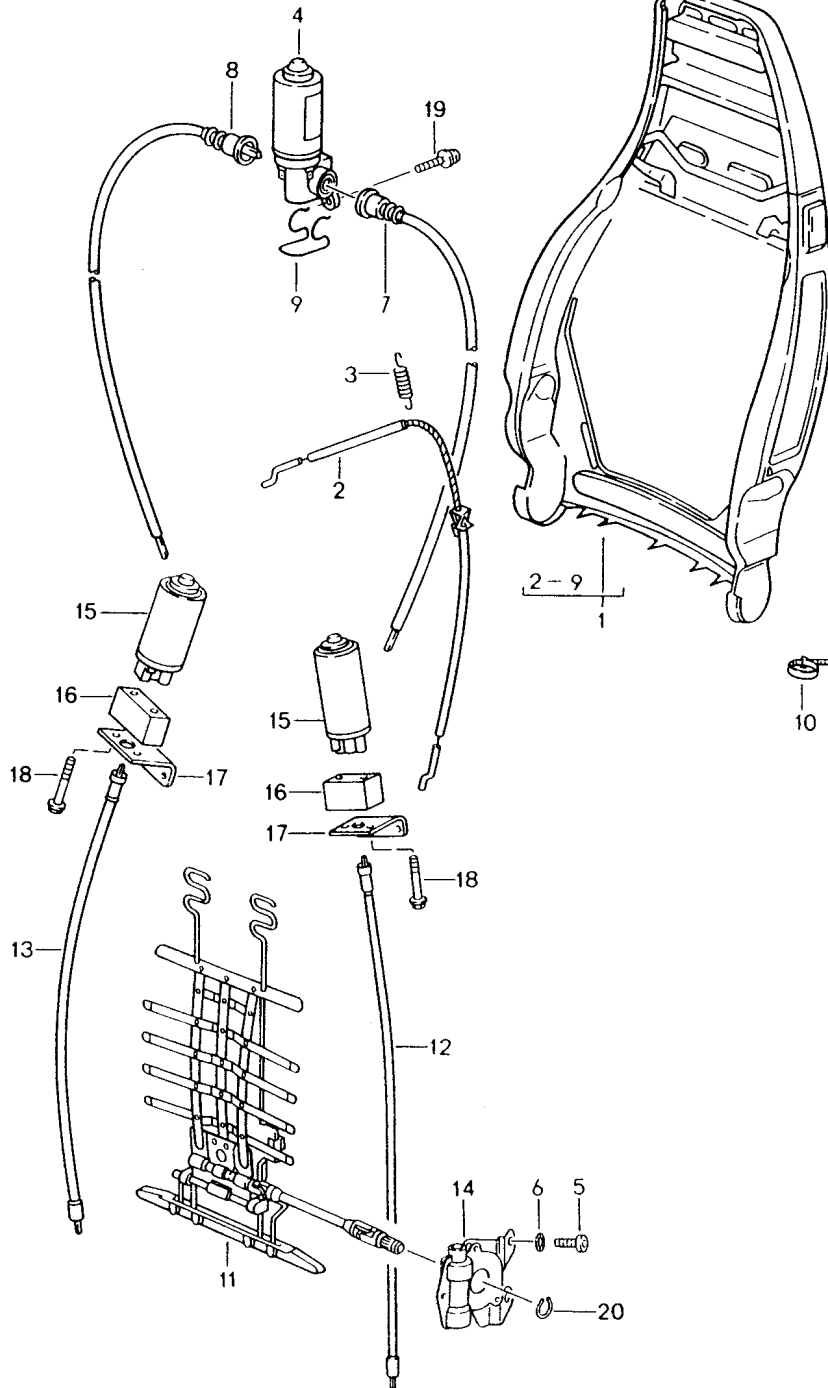
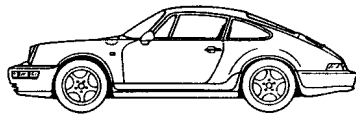
Pos	Part Number	Description	Remark	Qty	Model
	964 521 003 42 XN4	Cashmere beige	-90		
	964 521 003 42 XN5	Silk grey	-90		
	964 521 003 42 XN6	Velvet red	-90		
	964 521 003 42 XN7	Slate grey	-90		
	964 521 003 42 ATH	Black	91-		
	964 521 003 42 APL	Classic grey	91-		
	964 521 003 42 ARL	Cobalt blue	91-		
	964 521 003 42 ASL	Magenta	91-		
	964 521 003 42 AQL	Light grey	91-		
	964 521 003 42 ATY	Cashmere beige	91-		
	964 521 003 42 AVF	Matador red	91-		
	964 521 003 42 AVG	Carrara grey	91-		
	964 521 003 42 AVH	Sherwood green	91-		
	964 521 003 42 BQB	Marine blue	91-		
(3)	964 521 004 42	Comfort seat Lumbar support with heating Draped leather	/R	1	M438
	964 521 004 42 KZ2	Black	-90		
	964 521 004 42 TV1	Mahogany	-90		
	964 521 004 42 TS1	Marine blue	-90		
	964 521 004 42 LG7	Burgundy	-90		
	964 521 004 42 XG3	Caramel	-90		
	964 521 004 42 TW1	Linen	-90		
	964 521 004 42 XG4	Venetian blue	-90		
	964 521 004 42 XN4	Cashmere beige	-90		
	964 521 004 42 XN5	Silk grey	-90		
	964 521 004 42 XN6	Velvet red	-90		
	964 521 004 42 XN7	Slate grey	-90		
	964 521 004 42 ATH	Black	91-		
	964 521 004 42 APL	Classic grey	91-		
	964 521 004 42 ARL	Cobalt blue	91-		
	964 521 004 42 ASL	Magenta	91-		
	964 521 004 42 AQL	Light grey	91-		
	964 521 004 42 ATY	Cashmere beige	91-		
	964 521 004 42 AVF	Matador red	91-		
	964 521 004 42 AVG	Carrara grey	91-		
	964 521 004 42 AVH	Sherwood green	91-		
	964 521 004 42 BQB	Marine blue	91-		
3	964 521 003 29	Comfort seat All-electric with heating Whole-leather	/L 92	1	TURBO-LOOK M437/438
	964 521 003 29 BQZ	Rhodamine			
	964 521 003 29 BQY	Wimbledon green			
	964 521 003 29 BQX	Florentine grey			
(3)	964 521 004 29	Comfort seat All-electric with heating Whole-leather	/R 92	1	TURBO-LOOK M437/438
	964 521 004 29 BQZ	Rhodamine			
	964 521 004 29 BQY	Wimbledon green			
	964 521 004 29 BQX	Florentine grey			
4	911 521 547 00	Screw M 10 X 20		6	
5	928 521 717 02	Square rod for backrest adjustment		4	
6	928 521 716 02	Lock washer for backrest adjustment		4	
7	900 249 004 02	Countersunk-head screw M 4 X 8 for backrest adjustment		4	
8	928 521 147 02	Cover	/L	2	

Model: STZ Model life 1985>>1998

Pos	Part Number	Description	Remark	Qty	Model
	928 521 147 02 01C	Black			
	928 521 147 02 4MJ	Mahogany	-90		
	928 521 147 02 9JJ	Marine blue			
	928 521 147 02 9MM	Burgundy	-90		
	928 521 147 02 7XJ	Linen	-90		
	928 521 147 02 3UD	Cashmere beige			
	928 521 147 02 4XC	Classic grey	91-		
	928 521 147 02 6ZF	Cobalt blue	91-		
	928 521 147 02 6WX	Magenta	91-		
	928 521 147 02 9ZN	Light grey	91-		
(8)	928 521 148 02	Cover	/R	2	
	928 521 148 02 01C	Black			
	928 521 148 02 4MJ	Mahogany	-90		
	928 521 148 02 9JJ	Marine blue			
	928 521 148 02 9MM	Burgundy	-90		
	928 521 148 02 7XJ	Linen	-90		
	928 521 148 02 3UD	Cashmere beige			
	928 521 148 02 4XC	Classic grey	91-		
	928 521 148 02 6ZF	Cobalt blue	91-		
	928 521 148 02 6WX	Magenta	91-		
	928 521 148 02 9ZN	Light grey	91-		
9	900 025 044 07	Washer A 4,3		8	
10	900 143 113 07	Oval-head screw B 4,2 X 13		8	
10	900 143 113 0G	Oval-head screw B 4,2 X 13		8	
11	928 521 760 04	Cover Comfort seat		2	
(11)	928 521 760 04 01C	Satin black			
	928 521 760 05	Cover Standard seat		2	
	928 521 760 05 01C	Electrically adjustable Satin black			
12	900 143 113 07	Oval-head screw 4,2 X 13		4	
12	900 143 113 0G	Oval-head screw 4,2 X 13		4	
13	900 025 044 07	Washer A 4,3		4	
-	N 100 472 01	Speed nut ST. 3,9		4	
14	900 119 030 02	Pan-head screw M 8 X 20		12	
15	900 089 006 02	Washer 8		12	
15	900 089 006 01	Washer 8		12	
16	911 521 347 00	Stop	-90	2	
17	928 521 101 08	Threaded plate Rear		X	
18	964 521 701 00	4 X M 8 Threaded plate Front and rear 2 X M 8		X	

Model: STZ

Model life 1985>>1998





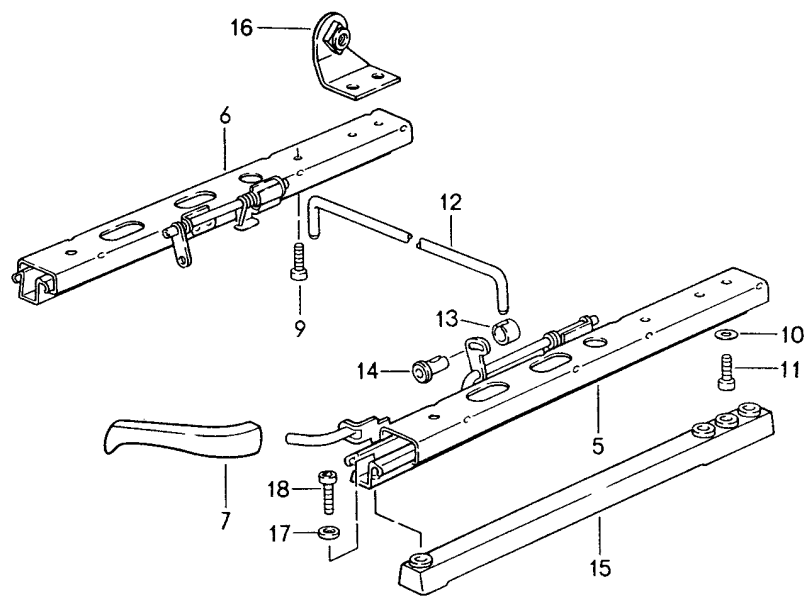
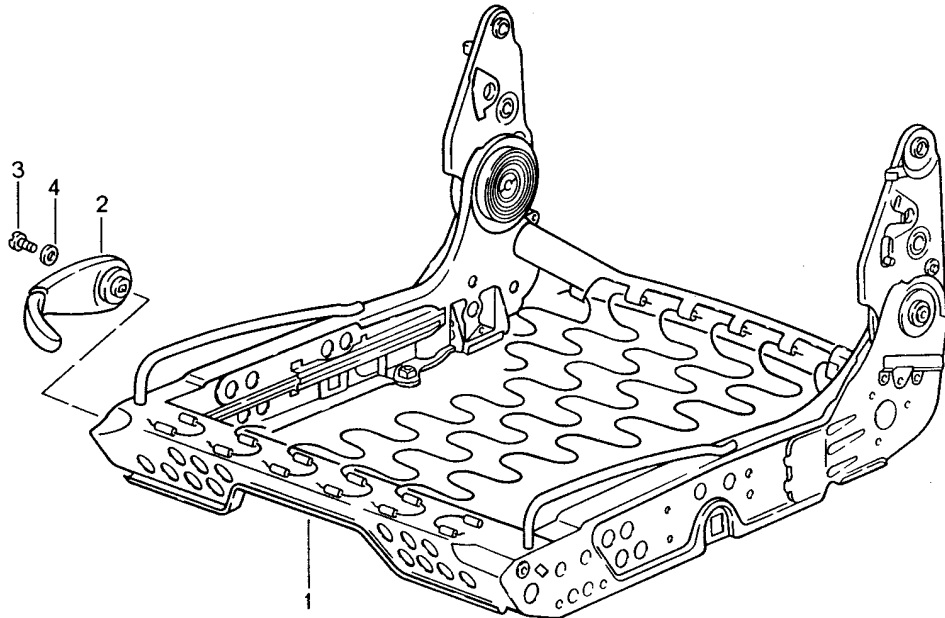
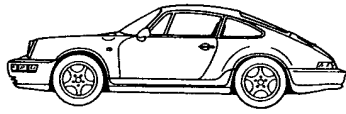
Model: STZ

Model life 1985&gt;&gt;1998

Pos	Part Number	Description	Remark	Qty	Model
		Backrest frame Electric Manually Lumbar support	89-94		CARRERA 2/4 TURBO/LOOK
(1)	928 521 027 08	Backrest frame Manually adjustable		2	
1	928 521 027 10	Backrest frame Electrically adjustable		2	
2	928 521 093 02	Bowden cable		4	
3	311 881 287 A	Tension spring		4	
4	928 624 126 01	Actuating lever Geared motor for backrest adjustment		2	
5	N 014 128 4	Oval-head screw M 5 X 8		4	
6	N 012 130 2	Shake-proof washer A 5,3		4	
7	928 521 617 03	Shaft for backrest adjustment	/L	2	
8	928 521 618 03	Shaft for backrest adjustment	/R	2	
9	928 521 675 02	Moulded spring		2	
10	N 020 904 4	Tie-wrap 6,5 X 120		5	
11	928 521 135 02	Lumbar support		2	
12	928 521 315 03	Pliable shaft Lumbar support adjustment Curvature		2	
13	928 521 315 02	Pliable shaft Lumbar support adjustment Height		2	
14	928 521 153 03	Transmission		2	
15	928 624 122 02	Adjusting motor		4	
16	928 624 199 00	Lumbar Spacer		4	
17	928 624 057 00	Lumbar support Engine carrier Lumbar support		4	
18	999 919 058 02	Hexagon-head bolt H 5 X 40		8	
19	900 146 117 02	Combination screw M 5 X 12 Z1		4	
20	N 012 411 1	Circlip 11 X 1		2	

Model: STZ

Model life 1985>>1998

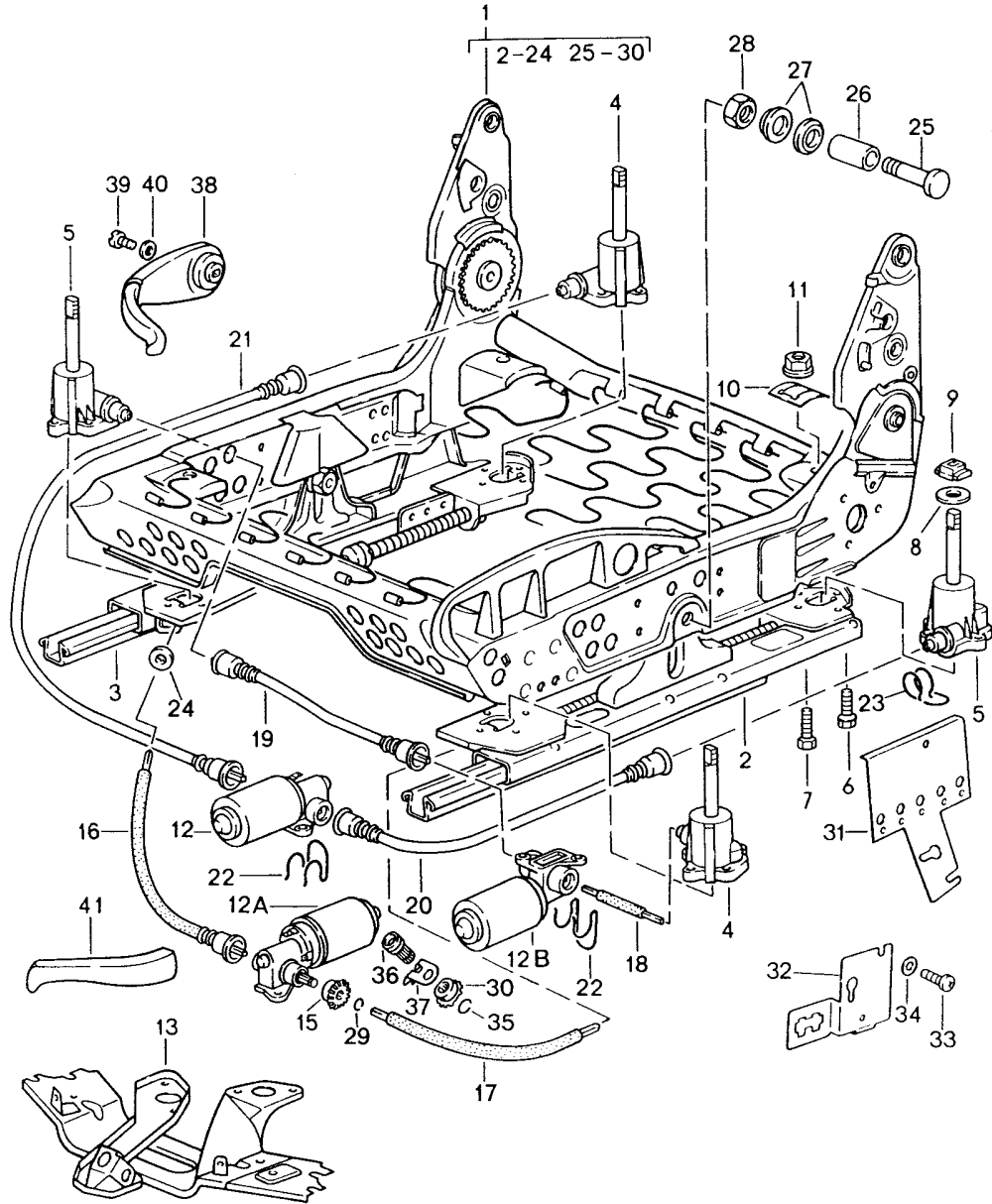
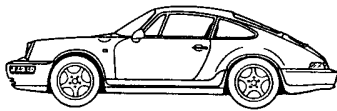


Model: STZ Model life 1985&gt;&gt;1998

Pos	Part Number	Description	Remark	Qty	Model
		Seat frame for manual adjustment	89-94		CARRERA 2/4 TURBO
1	993 521 069 00	Seat frame	/L	1	
(1)	993 521 070 00	Seat frame	/R	1	
(2)	964 521 073 00	Lever for backrest adjustment		2	
	964 521 073 00 01C	Satin black			
(2)	964 521 073 01	Lever for backrest adjustment		2	
	964 521 073 01 01C	Black			
3	900 119 011 07	Pan-head screw M 5 X 10		2	
4	900 031 006 07	Washer 5,3		2	
5	928 521 489 10	Seat rail Left seat Outer		1	
(5)	928 521 490 10	Seat rail Right seat Outer		1	
6	928 521 492 08	Seat rail Left seat Inner		1	
(6)	928 521 491 08	Seat rail Right seat Inner		1	
(7)	911 521 533 01	Handle for longitudinal adjustment		2	
	911 521 533 01 01C	Satin black			
9	900 119 091 02	Pan-head screw M 6 X 15		1	
10	900 025 007 02	Washer A 8,4		6	
10	900 025 007 03	Washer A 8,4		6	
11	900 119 052 02	Pan-head screw M 8 X 16		6	
12	928 521 525 03	Connecting rod for longitudinal adjustment		1	
13	N 902 514 01	Clamping sleeve for longitudinal adjustment		2	
14	N 902 515 01	Guide bush for longitudinal adjustment		2	
15	911 521 493 02	Spacer		2	
15	911 521 493 04	Spacer		2	
16	964 521 065 00	Support for Seat-belt buckle		2	
17	900 031 105 01	Washer		6	
17	900 031 001 02	Washer A 8,4		6	
17	900 031 105 01	Washer A 8,4		6	
18	900 119 081 02	Pan-head screw M 8 X 35		6	

Model: STZ

Model life 1985>>1998



Model: STZ Model life 1985&gt;&gt;1998

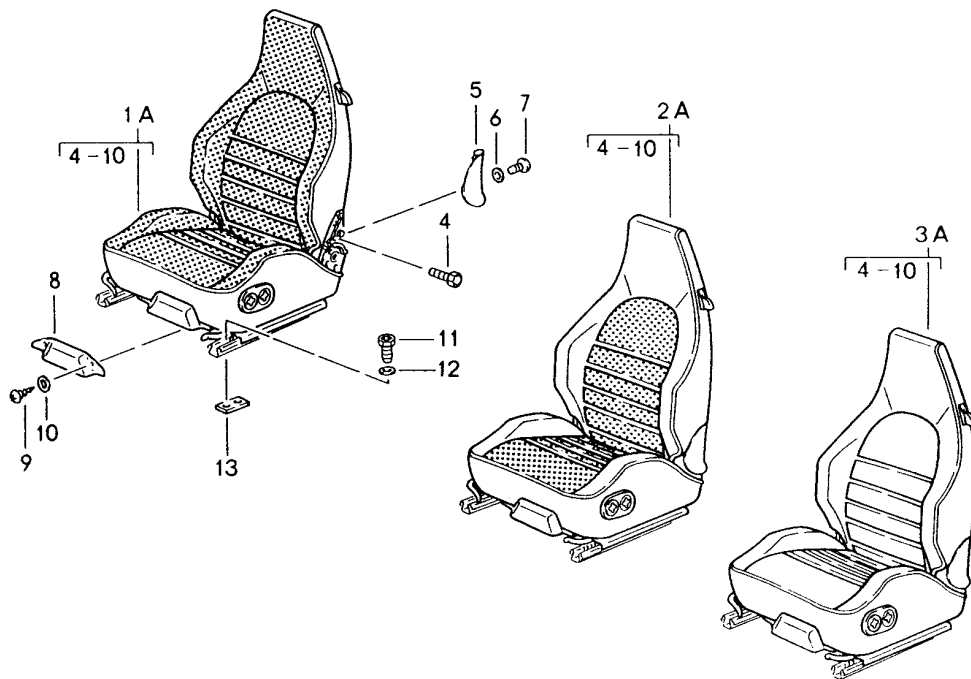
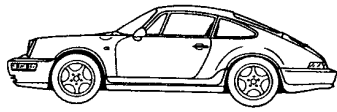
Pos	Part Number	Description	Remark	Qty	Model
1	993 521 069 03	Seat frame Electrically adjustable	89-94	1	CARRERA 2/4 TURBO
(1)	993 521 070 03	Seat frame All-electric	/L	1	
(1)	993 521 069 01	Seat frame Elect. vertical adjustment	/R	1	
(1)	993 521 070 01	Seat frame Elect. vertical adjustment	/L	1	
(1)	993 521 070 01	Seat frame Elect. vertical adjustment	/R	1	
(1)	993 521 070 01	Seat frame Elect. vertical adjustment	/R	1	
2	928 521 489 08	Seat rail Left seat Outer All-electric		1	
(2)	928 521 490 08	Seat rail Right seat Outer All-electric		1	
3	964 521 492 01	Seat rail Left seat Inner All-electric		1	
(3)	964 521 491 01	Seat rail Right seat Inner All-electric		1	
2	928 521 489 11	Seat rail Left seat Outer Elect. vertical adjustment		1	
(2)	928 521 490 11	Seat rail Right seat Outer Elect. vertical adjustment		1	
3	964 521 492 00	Seat rail Left seat Inner Elect. vertical adjustment		1	
(3)	964 521 491 00	Seat rail Right seat Inner Elect. vertical adjustment		1	
4	928 521 721 03	Lifting gear Left front, right rear		4	
5	928 521 722 03	Lifting gear Right front, left rear		4	
6	999 217 033 01	Locking screw M 6 X 16		20	
7	900 186 032 02	Pan-head screw M 6 X 12		8	
8	999 025 129 40	Washer		8	
9	928 521 727 02	Slide		8	
10	928 521 723 02	Guide spring		8	
11	928 521 730 02	Nut		8	
12	928 624 126 01	Geared motor Rear vertical adjustment		2	
12A	928 624 136 00	Geared motor for longitudinal adjustment		2	
12B	928 624 126 01	Geared motor Front vertical adjustment		2	
13	928 521 033 03	Engine support		2	

Model: STZ Model life 1985&gt;&gt;1998

Pos	Part Number	Description	Remark	Qty	Model
15	928 521 818 03	Bevel pinion for emergency control		2	
16	928 521 252 04	Shaft for longitudinal adjustment	/L	2	
17	928 521 251 03	Shaft for longitudinal adjustment	/R	2	
18	928 521 671 03	Shaft Front vertical adjustment	/L	2	
19	928 521 672 03	Shaft Front vertical adjustment	/R	2	
20	928 521 673 05	Flexible shaft Rear vertical adjustment	/L	2	
21	928 521 674 05	Flexible shaft Rear vertical adjustment	/R	2	
21	928 521 674 06	Flexible shaft Rear vertical adjustment	/R	2	
22	928 521 675 02	Moulded spring for engine		6	
23	928 521 699 00	Moulded spring Transmission		6	
24	999 591 778 02	Support Shaft for longitudinal adjustment		6	
25	928 521 681 02	Bolt 1,5 PA 6		4	
26	928 521 685 02	Bush		4	
27	928 521 683 02	Washer 1,5 PA 6		8	
28	900 034 003 02	Hexagon nut M 10		4	
29	900 906 005 01	Circlip A 8		2	
30	928 521 818 04	Bevel pinion for emergency control		2	
31	928 653 501 03	Bracket		2	
32	928 653 503 02	Bracket		2	
33	N 014 133 8	Oval-head screw M 5 X 12		2	
34	900 025 003 02	Washer A 5,3		2	
35	N 042 499 1	Circlip A 12		2	
36	928 521 816 03	Bearing pin		2	
37	928 521 686 00	Moulded spring		2	
(38)	964 521 073 00	Lever		2	
	964 521 073 00 01C	Satin black			
(38)	964 521 073 01	Lever		2	
	964 521 073 01 01C	Black			
39	900 119 011 07	Pan-head screw M 5 X 10		2	
40	900 031 006 07	Washer 5,3		2	
(41)	911 521 533 01	Handle		2	
	911 521 533 01 01C	Satin black			

Model: STZ

Model life 1985>>1998



Model: STZ Model life 1985>>1998

Pos	Part Number	Description	Remark	Qty	Model
		Sports seat Complete	89-94		CARRERA 2/4 TURBO RS AMERICA M383
1A	944 521 001 04	Sports seat without heating Leatherette/ Seat and backrest surface Pin stripe velour	/L	1	
	944 521 001 04 NY5	Black/ Black-white	-90		
	944 521 001 04 TU7	Mahogany/ Mahogany-white	-90		
	944 521 001 04 TR7	Blue/ Blue-white	-90		
	944 521 001 04 NY8	Burgundy/ Burgundy-white	-90		
	944 521 001 04 XK2	Linen/ Linen white	-90		
	944 521 001 04 XK5	Cashmere beige/ Cashmere beige-white	-90		
(1A)	944 521 002 04	Sports seat without heating Leatherette/ Seat and backrest surface Pin stripe velour	/R	1	M387
	944 521 002 04 NY5	Black/ Black-white	-90		
	944 521 002 04 TU7	Mahogany/ Mahogany-white	-90		
	944 521 002 04 TR7	Blue/ Blue-white	-90		
	944 521 002 04 NY8	Burgundy/ Burgundy-white	-90		
	944 521 002 04 XK2	Linen/ Linen white	-90		
	944 521 002 04 XK5	Cashmere beige/ Cashmere beige-white	-90		
(1A)	944 521 001 05	Sports seat with heating Leatherette/ Seat and backrest surface Pin stripe velour	/L	1	M383
	944 521 001 05 NY5	Black/ Black-white	-90		
	944 521 001 05 TU7	Mahogany/ Mahogany-white	-90		
	944 521 001 05 TR7	Blue/ Blue-white	-90		
	944 521 001 05 NY8	Burgundy/ Burgundy-white	-90		
	944 521 001 05 XK2	Linen/ Linen white	-90		
	944 521 001 05 XK5	Cashmere beige/ Cashmere beige-white	-90		
(1A)	944 521 002 05	Sports seat with heating Leatherette/ Seat and backrest surface Pin stripe velour	/R	1	M387
	944 521 002 05 NY5	Black/ Black-white	-90		
	944 521 002 05 TU7	Mahogany/ Mahogany-white	-90		



Model: STZ Model life 1985>>1998

Pos	Part Number	Description	Remark	Qty	Model
	944 521 002 05 TR7	Blue/ Blue-white	-90		
	944 521 002 05 NY8	Burgundy/ Burgundy-white	-90		
	944 521 002 05 XK2	Linen/ Linen white	-90		
	944 521 002 05 XK5	Cashmere beige/ Cashmere beige-white	-90		
1A	944 521 001 04	Sports seat without heating Leatherette/ Seat and backrest surface Multicolour	/L	1	M383
	944 521 001 04 XK8	Black/black			
	944 521 001 04 XK9	Mahogany/mahogany	-90		
	944 521 001 04 XN1	Marine blue/marine blue			
	944 521 001 04 XN2	Burgundy/burgundy	-90		
	944 521 001 04 XK4	Linen/linen	-90		
	944 521 001 04 XK7	Cashmere beige/cash. beige			
	944 521 001 04 AQP	Classic grey/classic grey	91-		
	944 521 001 04 AQV	Cobalt blue/cobalt blue	91-		
	944 521 001 04 ASN	Magenta/Magenta	91-		
	944 521 001 04 AQN	Light grey/light grey	91-		
(1A)	944 521 002 04	Sports seat without heating Leatherette/ Seat and backrest surface Multicolour	/R	1	M387
	944 521 002 04 XK8	Black/black			
	944 521 002 04 XK9	Mahogany/mahogany	-90		
	944 521 002 04 XN1	Marine blue/marine blue			
	944 521 002 04 XN2	Burgundy/burgundy	-90		
	944 521 002 04 XK4	Linen/linen	-90		
	944 521 002 04 XK7	Cashmere beige/cash. beige			
	944 521 002 04 AQP	Classic grey/classic grey	91-		
	944 521 002 04 AQV	Cobalt blue/cobalt blue	91-		
	944 521 002 04 ASN	Magenta/Magenta	91-		
	944 521 002 04 AQN	Light grey/light grey	91-		
(1A)	944 521 001 05	Sports seat with heating Leatherette/ Seat and backrest surface Multicolour	/L	1	M383
	944 521 001 05 XK8	Black/black			
	944 521 001 05 XK9	Mahogany/mahogany	-90		
	944 521 001 05 XN1	Marine blue/marine blue			
	944 521 001 05 XN2	Burgundy/burgundy	-90		
	944 521 001 05 XK4	Linen/linen	-90		
	944 521 001 05 XK7	Cashmere beige/cash. beige			
	944 521 001 05 AQP	Classic grey/classic grey	91-		
	944 521 001 05 AQV	Cobalt blue/cobalt blue	91-		
	944 521 001 05 ASN	Magenta/Magenta	91-		
	944 521 001 05 AQN	Light grey/light grey	91-		
(1A)	944 521 002 05	Sports seat with heating Leatherette/ Seat and backrest surface Multicolour	/R	1	M387
	944 521 002 05 XK8	Black/black			
	944 521 002 05 XK9	Mahogany/mahogany	-90		
	944 521 002 05 XN1	Marine blue/marine blue			
	944 521 002 05 XN2	Burgundy/burgundy	-90		
	944 521 002 05 XK4	Linen/linen	-90		

Model: STZ Model life 1985>>1998

Pos	Part Number	Description	Remark	Qty	Model
1A	944 521 002 05 XK7	Cashmere beige/cash. beige		1	M383
	944 521 002 05 AQP	Classic grey/classic grey	91-		
	944 521 002 05 AQV	Cobalt blue/cobalt blue	91-		
	944 521 002 05 ASN	Magenta/Magenta	91-		
	944 521 002 05 AQN	Light grey/light grey	91-		
	944 521 001 04	Sports seat without heating Leatherette/ Seat and backrest surface Porsche lettering cloth	/L		
	944 521 001 04 PX2	Black/black			
	944 521 001 04 TU9	Mahogany/mahogany	-90		
	944 521 001 04 TR9	Marine blue/blue			
	944 521 001 04 PX6	Burgundy/burgundy	-90		
(1A)	944 521 001 04 XK3	Linen/linen	-90	1	M387
	944 521 001 04 XK6	Cashmere beige/cash. beige			
	944 521 001 04 APM	Classic grey/classic grey	91-		
	944 521 001 04 ARM	Cobalt blue/cobalt blue	91-		
	944 521 001 04 ASM	Magenta/Magenta	91-		
	944 521 001 04 AQM	Light grey/light grey	91-		
	944 521 002 04	Sports seat without heating Leatherette/ Seat and backrest surface Porsche lettering cloth	/R		
	944 521 002 04 PX2	Black/black			
	944 521 002 04 TU9	Mahogany/mahogany	-90		
	944 521 002 04 TR9	Marine blue/blue			
(1A)	944 521 002 04 PX6	Burgundy/burgundy	-90	1	M383
	944 521 002 04 XK3	Linen/linen	-90		
	944 521 002 04 XK6	Cashmere beige/cash. beige			
	944 521 002 04 APM	Classic grey/classic grey	91-		
	944 521 002 04 ARM	Cobalt blue/cobalt blue	91-		
	944 521 002 04 ASM	Magenta/Magenta	91-		
	944 521 002 04 AQM	Light grey/light grey	91-		
	944 521 001 05	Sports seat with heating Leatherette/ Seat and backrest surface Porsche lettering cloth	/L		
	944 521 001 05 PX2	Black/black			
	944 521 001 05 TU9	Mahogany/mahogany	-90		
(1A)	944 521 001 05 TR9	Marine blue/blue		1	M387
	944 521 001 05 PX6	Burgundy/burgundy	-90		
	944 521 001 05 XK3	Linen/linen	-90		
	944 521 001 05 XK6	Cashmere beige/cash. beige			
	944 521 001 05 APM	Classic grey/classic grey	91-		
	944 521 001 05 ARM	Cobalt blue/cobalt blue	91-		
	944 521 001 05 ASM	Magenta/Magenta	91-		
	944 521 001 05 AQM	Light grey/light grey	91-		
	944 521 002 05	Sports seat with heating Leatherette/ Seat and backrest surface Porsche lettering cloth	/R		
	944 521 002 05 PX2	Black/black			
(1A)	944 521 002 05 TU9	Mahogany/mahogany	-90	1	M383
	944 521 002 05 TR9	Marine blue/blue			
	944 521 002 05 PX6	Burgundy/burgundy	-90		
	944 521 002 05 XK3	Linen/linen	-90		
	944 521 002 05 XK6	Cashmere beige/cash. beige			
	944 521 002 05 APM	Classic grey/classic grey	91-		
	944 521 002 05 ARM	Cobalt blue/cobalt blue	91-		

Model: STZ Model life 1985>>1998

Pos	Part Number	Description	Remark	Qty	Model
1A	944 521 002 05 ASM	Magenta/Magenta	91-	1	RS AMERICA M383
	944 521 002 05 AQM	Light grey/light grey	91-		
	944 521 001 04	Sports seat without heating Leatherette/ Seat and backrest surface Corduroy cloth	/L		
(1A)	944 521 001 04 CJE	Black/black	/R	1	RS AMERICA M387
	944 521 002 04	Sports seat without heating Leatherette/ Seat and backrest surface Corduroy cloth			
2A	944 521 002 04 CJE	Black/black	/L	1	M383
	944 521 001 63	Sports seat without heating Leatherette/leather Centre part in cloth Pin stripe velour			
	944 521 001 63 PY1	Black/black Black-white	-90		
	944 521 001 63 TU4	Mahogany/mahogany Mahogany-white	-90		
	944 521 001 63 TR4	Marine blue/marine blue Blue-white	-90		
	944 521 001 63 PY4	Burgundy/burgundy Burgundy-white	-90		
	944 521 001 63 XH2	Linen/linen Linen white	-90		
	944 521 001 63 XH7	Cashmere beige/cash. beige Cashmere beige-white	-90		
(2A)	944 521 002 63	Sports seat without heating Leatherette/leather Centre part in cloth Pin stripe velour	/R	1	M387
	944 521 002 63 PY1	Black/black Black-white	-90		
	944 521 002 63 TU4	Mahogany/mahogany Mahogany-white	-90		
	944 521 002 63 TR4	Marine blue/marine blue Blue-white	-90		
	944 521 002 63 PY4	Burgundy/burgundy Burgundy-white	-90		
	944 521 002 63 XH2	Linen/linen Linen white	-90		
	944 521 002 63 XH7	Cashmere beige/cash. beige Cashmere beige-white	-90		
(2A)	944 521 001 67	Sports seat with heating Leatherette/leather Centre part in cloth Pin stripe velour	/L	1	M383
	944 521 001 67 PY1	Black/black Black-white	-90		
	944 521 001 67 TU4	Mahogany/mahogany Mahogany-white	-90		
	944 521 001 67 TR4	Marine blue/marine blue Blue-white	-90		
	944 521 001 67 PY4	Burgundy/burgundy Burgundy-white	-90		
	944 521 001 67 XH2	Linen/linen Linen white	-90		

Model: STZ Model life 1985&gt;&gt;1998

Pos	Part Number	Description	Remark	Qty	Model
	944 521 001 67 XH7	Cashmere beige/cash. beige	-90		
(2A)	944 521 002 67	Cashmere beige-white Sports seat with heating Leatherette/leather Centre part in cloth Pin stripe velour	/R	1	M387
	944 521 002 67 PY1	Black/black Black-white	-90		
	944 521 002 67 TU4	Mahogany/mahogany Mahogany-white	-90		
	944 521 002 67 TR4	Marine blue/marine blue Blue-white	-90		
	944 521 002 67 PY4	Burgundy/burgundy Burgundy-white	-90		
	944 521 002 67 XH2	Linen/linen Linen white	-90		
	944 521 002 67 XH7	Cashmere beige/cash. beige Cashmere beige-white	-90		
2A	944 521 001 63	Sports seat without heating Leatherette/leather Centre part in cloth Multicolour	/L	1	M383
	944 521 001 63 XJ2	Black/black Black	-90		
	944 521 001 63 XJ3	Mahogany/mahogany Mahogany	-90		
	944 521 001 63 XJ5	Marine blue/marine blue Marine blue	-90		
	944 521 001 63 XJ7	Burgundy/burgundy Burgundy	-90		
	944 521 001 63 XH6	Linen/linen Linen	-90		
	944 521 001 63 XH9	Cashmere beige/cash. beige Cashmere beige	-90		
	944 521 001 63 ATF	Black/black Black	91-		
	944 521 001 63 APF	Classic grey/classic grey Classic grey	91-		
	944 521 001 63 ARF	Cobalt blue/cobalt blue Cobalt blue	91-		
	944 521 001 63 ASF	Magenta/Magenta Magenta	91-		
	944 521 001 63 AQF	Light grey/light grey Light grey	91-		
	944 521 001 63 ATL	Cashmere beige/cash. beige Cashmere beige	91-		
	944 521 001 63 BQK	Marine blue/marine blue Marine blue	91-		
(2A)	944 521 002 63	Sports seat without heating Leatherette/leather Centre part in cloth Multicolour	/R	1	M387
	944 521 002 63 XJ2	Black/black Black	-90		
	944 521 002 63 XJ3	Mahogany/mahogany Mahogany	-90		
	944 521 002 63 XJ5	Marine blue/marine blue Marine blue	-90		
	944 521 002 63 XJ7	Burgundy/burgundy Burgundy	-90		

Model: STZ Model life 1985>>1998

Pos	Part Number	Description	Remark	Qty	Model
	944 521 002 63 XH6	Linen/linen Linen	-90		
	944 521 002 63 XH9	Cashmere beige/cash. beige Cashmere beige	-90		
	944 521 002 63 ATF	Black/black Black	91-		
	944 521 002 63 APF	Classic grey/classic grey Classic grey	91-		
	944 521 002 63 ARF	Cobalt blue/cobalt blue Cobalt blue	91-		
	944 521 002 63 ASF	Magenta/Magenta Magenta	91-		
	944 521 002 63 AQF	Light grey/light grey Light grey	91-		
	944 521 002 63 ATL	Cashmere beige/cash. beige Cashmere beige	91-		
	944 521 002 63 BQK	Marine blue/marine blue Marine blue	91-		
(2A)	944 521 001 67	Sports seat with heating Leatherette/leather Centre part in cloth Multicolour	/L	1	M383
	944 521 001 67 XJ2	Black/black Black	-90		
	944 521 001 67 XJ3	Mahogany/mahogany Mahogany	-90		
	944 521 001 67 XJ5	Marine blue/marine blue Marine blue	-90		
	944 521 001 67 XJ7	Burgundy/burgundy Burgundy	-90		
	944 521 001 67 XH6	Linen/linen Linen	-90		
	944 521 001 67 XH9	Cashmere beige/cash. beige Cashmere beige	-90		
	944 521 001 67 ATF	Black/black Black	91-		
	944 521 001 67 APF	Classic grey/classic grey Classic grey	91-		
	944 521 001 67 ARF	Cobalt blue/cobalt blue Cobalt blue	91-		
	944 521 001 67 ASF	Magenta/Magenta Magenta	91-		
	944 521 001 67 AQF	Light grey/light grey Light grey	91-		
	944 521 001 67 ATL	Cashmere beige/cash. beige Cashmere beige	91-		
	944 521 001 67 BQK	Marine blue/marine blue Marine blue	91-		
(2A)	944 521 002 67	Sports seat with heating Leatherette/leather Centre part in cloth Multicolour	/R	1	M387
	944 521 002 67 XJ2	Black/black Black	-90		
	944 521 002 67 XJ3	Mahogany/mahogany Mahogany	-90		
	944 521 002 67 XJ5	Marine blue/marine blue Marine blue	-90		
	944 521 002 67 XJ7	Burgundy/burgundy Burgundy	-90		
	944 521 002 67 XH6	Linen/linen	-90		

Model: STZ Model life 1985&gt;&gt;1998

Pos	Part Number	Description	Remark	Qty	Model
		Linen			
	944 521 002 67 XH9	Cashmere beige/cash. beige	-90		
		Cashmere beige			
	944 521 002 67 ATF	Black/black	91-		
		Black			
	944 521 002 67 APF	Classic grey/classic grey	91-		
		Classic grey			
	944 521 002 67 ARF	Cobalt blue/cobalt blue	91-		
		Cobalt blue			
	944 521 002 67 ASF	Magenta/Magenta	91-		
		Magenta			
	944 521 002 67 AQF	Light grey/light grey	91-		
		Light grey			
	944 521 002 67 ATL	Cashmere beige/cash. beige	91-		
		Cashmere beige			
	944 521 002 67 BQK	Marine blue/marine blue	91-		
		Marine blue			
2A	944 521 001 63	Sports seat without heating Leatherette/leather Centre part Porsche lettering cloth	/L	1	M383
	944 521 001 63 PZ7	Black/black	-90		
		Black			
	944 521 001 63 TU6	Mahogany/mahogany	-90		
		Mahogany			
	944 521 001 63 TR6	Marine blue/marine blue	-90		
		Blue			
	944 521 001 63 QA1	Burgundy/burgundy	-90		
		Burgundy			
	944 521 001 63 XH4	Linen/linen	-90		
		Linen			
	944 521 001 63 XH8	Cashmere beige/cash. beige	-90		
		Cashmere beige			
	944 521 001 63 ATA	Black/black	91-		
		Black			
	944 521 001 63 APD	Classic grey/classic grey	91-		
		Classic grey			
	944 521 001 63 ARD	Cobalt blue/cobalt blue	91-		
		Cobalt blue			
	944 521 001 63 ASD	Magenta/Magenta	91-		
		Magenta			
	944 521 001 63 AQD	Light grey/light grey	91-		
		Light grey			
	944 521 001 63 ATR	Cashmere beige/cash. beige	91-		
		Cashmere beige			
	944 521 001 63 BQM	Marine blue/marine blue	91-		
		Blue			
(2A)	944 521 002 63	Sports seat without heating Leatherette/leather Centre part Porsche lettering cloth	/R	1	M387
	944 521 002 63 PZ7	Black/black	-90		
		Black			
	944 521 002 63 TU6	Mahogany/mahogany	-90		
		Mahogany			
	944 521 002 63 TR6	Marine blue/marine blue	-90		
		Blue			
	944 521 002 63 QA1	Burgundy/burgundy	-90		
		Burgundy			
	944 521 002 63 XH4	Linen/linen	-90		
		Linen			

Model: STZ Model life 1985>>1998

Pos	Part Number	Description	Remark	Qty	Model
	944 521 002 63 XH8	Cashmere beige/cash. beige Cashmere beige	-90		
	944 521 002 63 ATA	Black/black Black	91-		
	944 521 002 63 APD	Classic grey/classic grey Classic grey	91-		
	944 521 002 63 ARD	Cobalt blue/cobalt blue Cobalt blue	91-		
	944 521 002 63 ASD	Magenta/Magenta Magenta	91-		
	944 521 002 63 AQD	Light grey/light grey Light grey	91-		
	944 521 002 63 ATR	Cashmere beige/cash. beige Cashmere beige	91-		
	944 521 002 63 BQM	Marine blue/marine blue Blue	91-		
(2A)	944 521 001 67	Sports seat with heating Leatherette/leather Centre part Porsche lettering cloth	/L	1	M383
	944 521 001 67 PZ7	Black/black Black	-90		
	944 521 001 67 TU6	Mahogany/mahogany Mahogany	-90		
	944 521 001 67 TR6	Marine blue/marine blue Blue	-90		
	944 521 001 67 QA1	Burgundy/burgundy Burgundy	-90		
	944 521 001 67 XH4	Linen/linen Linen	-90		
	944 521 001 67 XH8	Cashmere beige/cash. beige Cashmere beige	-90		
	944 521 001 67 ATA	Black/black Black	91-		
	944 521 001 67 APD	Classic grey/classic grey Classic grey	91-		
	944 521 001 67 ARD	Cobalt blue/cobalt blue Cobalt blue	91-		
	944 521 001 67 ASD	Magenta/Magenta Magenta	91-		
	944 521 001 67 AQD	Light grey/light grey Light grey	91-		
	944 521 001 67 ATR	Cashmere beige/cash. beige Cashmere beige	91-		
	944 521 001 67 BQM	Marine blue/marine blue Blue	91-		
(2A)	944 521 002 67	Sports seat with heating Leatherette/leather Centre part Porsche lettering cloth	/R	1	M387
	944 521 002 67 PZ7	Black/black Black	-90		
	944 521 002 67 TU6	Mahogany/mahogany Mahogany	-90		
	944 521 002 67 TR6	Marine blue/marine blue Blue	-90		
	944 521 002 67 QA1	Burgundy/burgundy Burgundy	-90		
	944 521 002 67 XH4	Linen/linen Linen	-90		
	944 521 002 67 XH8	Cashmere beige/cash. beige	-90		

Model: STZ Model life 1985>>1998

Pos	Part Number	Description	Remark	Qty	Model
	944 521 002 67 ATA	Cashmere beige Black/black	91-		
	944 521 002 67 APD	Black Classic grey/classic grey	91-		
	944 521 002 67 ARD	Classic grey Cobalt blue/cobalt blue	91-		
	944 521 002 67 ASD	Cobalt blue Magenta/Magenta	91-		
	944 521 002 67 AQD	Magenta Light grey/light grey	91-		
	944 521 002 67 ATR	Light grey Cashmere beige/cash. beige	91-		
	944 521 002 67 BQM	Cashmere beige Marine blue/marine blue	91-		
2A	944 521 001 61	Blue Sports seat without heating Leather/ Centre part in cloth Pin stripe velour	/L	1	M383
	944 521 001 61 LS5	Black/ Black-white	-90		
	944 521 001 61 TU1	Mahogany/ Mahogany-white	-90		
	944 521 001 61 TR1	Blue/ Blue-white	-90		
	944 521 001 61 LS9	Burgundy/ Burgundy-white	-90		
	944 521 001 61 XF5	Linen/ Linen white	-90		
	944 521 001 61 XF8	Cashmere beige/ Cashmere beige-white	-90		
(2A)	944 521 002 61	Sports seat without heating Leather/ Centre part in cloth Pin stripe velour	/R	1	M387
	944 521 002 61 LS5	Black/ Black-white	-90		
	944 521 002 61 TU1	Mahogany/ Mahogany-white	-90		
	944 521 002 61 TR1	Blue/ Blue-white	-90		
	944 521 002 61 LS9	Burgundy/ Burgundy-white	-90		
	944 521 002 61 XF5	Linen/ Linen white	-90		
	944 521 002 61 XF8	Cashmere beige/ Cashmere beige-white	-90		
(2A)	944 521 001 65	Sports seat with heating Leather/ Centre part in cloth Pin stripe velour	/L	1	M383
	944 521 001 65 LS5	Black/ Black-white	-90		
	944 521 001 65 TU1	Mahogany/ Mahogany-white	-90		
	944 521 001 65 TR1	Blue/ Blue-white	-90		
	944 521 001 65 LS9	Burgundy/ Burgundy-white	-90		
	944 521 001 65 XF5	Linen/ Linen white	-90		



Model: STZ Model life 1985>>1998

Pos	Part Number	Description	Remark	Qty	Model
	944 521 001 65 XF8	Linen white Cashmere beige/ Cashmere beige-white	-90		
(2A)	944 521 002 65	Sports seat with heating Leather/ Centre part in cloth Pin stripe velour	/R	1	M387
	944 521 002 65 LS5	Black/ Black-white	-90		
	944 521 002 65 TU1	Mahogany/ Mahogany-white	-90		
	944 521 002 65 TR1	Blue/ Blue-white	-90		
	944 521 002 65 LS9	Burgundy/ Burgundy-white	-90		
	944 521 002 65 XF5	Linen/ Linen white	-90		
	944 521 002 65 XF8	Cashmere beige/ Cashmere beige-white	-90		
2A	944 521 001 61	Sports seat without heating Leather/ Centre part in cloth Multicolour	/L	1	M383
	944 521 001 61 XG6	Black/black	-90		
	944 521 001 61 XG7	Mahogany/mahogany	-90		
	944 521 001 61 XG8	Marine blue/marine blue	-90		
	944 521 001 61 XG9	Burgundy/burgundy	-90		
	944 521 001 61 XF7	Linen/linen	-90		
	944 521 001 61 XG5	Cashmere beige/cash. beige	-90		
	944 521 001 61 ATJ	Black/black	91-		
	944 521 001 61 AQT	Classic grey/classic grey	91-		
	944 521 001 61 AQU	Cobalt blue/cobalt blue	91-		
	944 521 001 61 ASJ	Magenta/Magenta	91-		
	944 521 001 61 AQJ	Light grey/light grey	91-		
	944 521 001 61 ATW	Cashmere beige/cash. beige	91-		
	944 521 001 61 BQJ	Marine blue/marine blue	91-		
(2A)	944 521 002 61	Sports seat without heating Leather/ Centre part in cloth Multicolour	/R	1	M387
	944 521 002 61 XG6	Black/black	-90		
	944 521 002 61 XG7	Mahogany/mahogany	-90		
	944 521 002 61 XG8	Marine blue/marine blue	-90		
	944 521 002 61 XG9	Burgundy/burgundy	-90		
	944 521 002 61 XF7	Linen/linen	-90		
	944 521 002 61 XG5	Cashmere beige/cash. beige	-90		
	944 521 002 61 ATJ	Black/black	91-		
	944 521 002 61 AQT	Classic grey/classic grey	91-		
	944 521 002 61 AQU	Cobalt blue/cobalt blue	91-		
	944 521 002 61 ASJ	Magenta/Magenta	91-		
	944 521 002 61 AQJ	Light grey/light grey	91-		
	944 521 002 61 ATW	Cashmere beige/cash. beige	91-		
	944 521 002 61 BQJ	Marine blue/marine blue	91-		
(2A)	944 521 001 65	Sports seat with heating Leather/ Centre part in cloth Multicolour	/L	1	M383
	944 521 001 65 XG6	Black/black	-90		
	944 521 001 65 XG7	Mahogany/mahogany	-90		

Model: STZ Model life 1985>>1998

Pos	Part Number	Description	Remark	Qty	Model
	944 521 001 65 XG8	Marine blue/marine blue	-90		
	944 521 001 65 XG9	Burgundy/burgundy	-90		
	944 521 001 65 XF7	Linen/linen	-90		
	944 521 001 65 XG5	Cashmere beige/cash. beige	-90		
	944 521 001 65 ATJ	Black/black	91-		
	944 521 001 65 AQT	Classic grey/classic grey	91-		
	944 521 001 65 AQU	Cobalt blue/cobalt blue	91-		
	944 521 001 65 ASJ	Magenta/Magenta	91-		
	944 521 001 65 AQJ	Light grey/light grey	91-		
	944 521 001 65 ATW	Cashmere beige/cash. beige	91-		
	944 521 001 65 BQJ	Marine blue/marine blue	91-		
(2A)	944 521 002 65	Sports seat with heating Leather/ Centre part in cloth Multicolour	/R	1	M387
	944 521 002 65 XG6	Black/black	-90		
	944 521 002 65 XG7	Mahogany/mahogany	-90		
	944 521 002 65 XG8	Marine blue/marine blue	-90		
	944 521 002 65 XG9	Burgundy/burgundy	-90		
	944 521 002 65 XF7	Linen/linen	-90		
	944 521 002 65 XG5	Cashmere beige/cash. beige	-90		
	944 521 002 65 ATJ	Black/black	91-		
	944 521 002 65 AQT	Classic grey/classic grey	91-		
	944 521 002 65 AQU	Cobalt blue/cobalt blue	91-		
	944 521 002 65 ASJ	Magenta/Magenta	91-		
	944 521 002 65 AQJ	Light grey/light grey	91-		
	944 521 002 65 ATW	Cashmere beige/cash. beige	91-		
	944 521 002 65 BQJ	Marine blue/marine blue	91-		
2A	944 521 001 61	Sports seat without heating Leather/ Centre part Porsche lettering cloth	/L	1	M383
	944 521 001 61 QB2	Black/black	-90		
	944 521 001 61 TU3	Mahogany/mahogany	-90		
	944 521 001 61 TR3	Marine blue/blue	-90		
	944 521 001 61 QB8	Burgundy/burgundy	-90		
	944 521 001 61 XF6	Linen/linen	-90		
	944 521 001 61 XF9	Cashmere beige/cash. beige	-90		
	944 521 001 61 ATD	Black/black	91-		
	944 521 001 61 APG	Classic grey/classic grey	91-		
	944 521 001 61 ARG	Cobalt blue/cobalt blue	91-		
	944 521 001 61 ASG	Magenta/Magenta	91-		
	944 521 001 61 AQG	Light grey/light grey	91-		
	944 521 001 61 ATU	Cashmere beige/cash. beige	91-		
	944 521 001 61 BQL	Marine blue/blue	91-		
(2A)	944 521 002 61	Sports seat without heating Leather/ Centre part Porsche lettering cloth	/R	1	M387
	944 521 002 61 QB2	Black/black	-90		
	944 521 002 61 TU3	Mahogany/mahogany	-90		
	944 521 002 61 TR3	Marine blue/blue	-90		
	944 521 002 61 QB8	Burgundy/burgundy	-90		
	944 521 002 61 XF6	Linen/linen	-90		
	944 521 002 61 XF9	Cashmere beige/cash. beige	-90		
	944 521 002 61 ATD	Black/black	91-		
	944 521 002 61 APG	Classic grey/classic grey	91-		
	944 521 002 61 ARG	Cobalt blue/cobalt blue	91-		
	944 521 002 61 ASG	Magenta/Magenta	91-		
	944 521 002 61 AQG	Light grey/light grey	91-		

Model: STZ Model life 1985>>1998

Pos	Part Number	Description	Remark	Qty	Model
(2A)	944 521 002 61 ATU	Cashmere beige/cash. beige	91-	1	M383
	944 521 002 61 BQL	Marine blue/blue	91-		
	944 521 001 65	Sports seat with heating Leather/ Centre part Porsche lettering cloth	/L		
	944 521 001 65 QB2	Black/black	-90		
	944 521 001 65 TU3	Mahogany/mahogany	-90		
	944 521 001 65 TR3	Marine blue/blue	-90		
	944 521 001 65 QB8	Burgundy/burgundy	-90		
	944 521 001 65 XF6	Linen/linen	-90		
	944 521 001 65 XF9	Cashmere beige/cash. beige	-90		
	944 521 001 65 ATD	Black/black	91-		
	944 521 001 65 APG	Classic grey/classic grey	91-		
	944 521 001 65 ARG	Cobalt blue/cobalt blue	91-		
	944 521 001 65 ASG	Magenta/Magenta	91-		
	944 521 001 65 AQG	Light grey/light grey	91-		
	(2A)	944 521 001 65 ATU	Cashmere beige/cash. beige		
944 521 001 65 BQL		Marine blue/blue	91-		
944 521 002 65		Sports seat with heating Leather/ Centre part Porsche lettering cloth	/R		
944 521 002 65 QB2		Black/black	-90		
944 521 002 65 TU3		Mahogany/mahogany	-90		
944 521 002 65 TR3		Marine blue/blue	-90		
944 521 002 65 QB8		Burgundy/burgundy	-90		
944 521 002 65 XF6		Linen/linen	-90		
944 521 002 65 XF9		Cashmere beige/cash. beige	-90		
944 521 002 65 ATD		Black/black	91-		
944 521 002 65 APG		Classic grey/classic grey	91-		
944 521 002 65 ARG		Cobalt blue/cobalt blue	91-		
944 521 002 65 ASG		Magenta/Magenta	91-		
944 521 002 65 AQG		Light grey/light grey	91-		
3A		944 521 002 65 ATU	Cashmere beige/cash. beige	91-	1
	944 521 002 65 BQL	Marine blue/blue	91-		
	944 521 001 62	Sports seat without heating Leatherette/ Seat and backrest surface Leather	/L		
	944 521 001 62 JN3	Black/black	-90		
	944 521 001 62 TV2	Mahogany/mahogany	-90		
	944 521 001 62 TS2	Marine blue/marine blue	-90		
	944 521 001 62 NZ8	Burgundy/burgundy	-90		
	944 521 001 62 TW2	Linen/linen	-90		
	944 521 001 62 XN3	Cashmere beige/cash. beige	-90		
	944 521 001 62 ATG	Black/black	91-		
	944 521 001 62 APK	Classic grey/classic grey	91-		
	944 521 001 62 ARK	Cobalt blue/cobalt blue	91-		
	944 521 001 62 ASK	Magenta/Magenta	91-		
	944 521 001 62 AOK	Light grey/light grey	91-		
	(3A)	944 521 001 62 ATX	Cashmere beige/cash. beige	91-	
944 521 001 62 BQA		Marine blue/marine blue	91-		
944 521 002 62		Sports seat without heating Leatherette/ Seat and backrest surface Leather	/R		
944 521 002 62 JN3		Black/black	-90		
944 521 002 62 TV2		Mahogany/mahogany	-90		

Model: STZ Model life 1985>>1998

Pos	Part Number	Description	Remark	Qty	Model
	944 521 002 62 TS2	Marine blue/marine blue	-90		
	944 521 002 62 NZ8	Burgundy/burgundy	-90		
	944 521 002 62 TW2	Linen/linen	-90		
	944 521 002 62 XN3	Cashmere beige/cash. beige	-90		
	944 521 002 62 ATG	Black/black	91-		
	944 521 002 62 APK	Classic grey/classic grey	91-		
	944 521 002 62 ARK	Cobalt blue/cobalt blue	91-		
	944 521 002 62 ASK	Magenta/Magenta	91-		
	944 521 002 62 AQK	Light grey/light grey	91-		
	944 521 002 62 ATX	Cashmere beige/cash. beige	91-		
	944 521 002 62 BQA	Marine blue/marine blue	91-		
(3A)	944 521 001 66	Sports seat with heating Leatherette/ Seat and backrest surface Leather	/L	1	M383
	944 521 001 66 JN3	Black/black	-90		
	944 521 001 66 TV2	Mahogany/mahogany	-90		
	944 521 001 66 TS2	Marine blue/marine blue	-90		
	944 521 001 66 NZ8	Burgundy/burgundy	-90		
	944 521 001 66 TW2	Linen/linen	-90		
	944 521 001 66 XN3	Cashmere beige/cash. beige	-90		
	944 521 001 66 ATG	Black/black	91-		
	944 521 001 66 APK	Classic grey/classic grey	91-		
	944 521 001 66 ARK	Cobalt blue/cobalt blue	91-		
	944 521 001 66 ASK	Magenta/Magenta	91-		
	944 521 001 66 AQK	Light grey/light grey	91-		
	944 521 001 66 ATX	Cashmere beige/cash. beige	91-		
	944 521 001 66 BQA	Marine blue/marine blue	91-		
(3A)	944 521 002 66	Sports seat with heating Leatherette/ Seat and backrest surface Leather	/R	1	M387
	944 521 002 66 JN3	Black/black	-90		
	944 521 002 66 TV2	Mahogany/mahogany	-90		
	944 521 002 66 TS2	Marine blue/marine blue	-90		
	944 521 002 66 NZ8	Burgundy/burgundy	-90		
	944 521 002 66 TW2	Linen/linen	-90		
	944 521 002 66 XN3	Cashmere beige/cash. beige	-90		
	944 521 002 66 ATG	Black/black	91-		
	944 521 002 66 APK	Classic grey/classic grey	91-		
	944 521 002 66 ARK	Cobalt blue/cobalt blue	91-		
	944 521 002 66 ASK	Magenta/Magenta	91-		
	944 521 002 66 AQK	Light grey/light grey	91-		
	944 521 002 66 ATX	Cashmere beige/cash. beige	91-		
	944 521 002 66 BQA	Marine blue/marine blue	91-		
3A	944 521 001 60	Sports seat without heating Whole-leather	/L	1	M383
	944 521 001 60 KZ2	Black	-90		
	944 521 001 60 TV1	Mahogany	-90		
	944 521 001 60 TS1	Marine blue	-90		
	944 521 001 60 LG7	Burgundy	-90		
	944 521 001 60 XG3	Caramel	-90		
	944 521 001 60 TW1	Linen	-90		
	944 521 001 60 XG4	Venetian blue	-90		
	944 521 001 60 XN4	Cashmere beige	-90		
	944 521 001 60 XN5	Silk grey	-90		
	944 521 001 60 XN6	Velvet red	-90		
	944 521 001 60 XN7	Slate grey	-90		
	944 521 001 60 ATH	Black	91-		
	944 521 001 60 APL	Classic grey	91-		

Model: STZ Model life 1985>>1998

Pos	Part Number	Description	Remark	Qty	Model
	944 521 001 60 ARL	Cobalt blue	91-		
	944 521 001 60 ASL	Magenta	91-		
	944 521 001 60 AQL	Light grey	91-		
	944 521 001 60 ATY	Cashmere beige	91-		
	944 521 001 60 BQB	Marine blue	91-		
	944 521 001 60 AVF	Matador red	91-		
	944 521 001 60 AVG	Carrara grey	91-		
	944 521 001 60 AVH	Sherwood green	91-		
(3A)	944 521 002 60	Sports seat without heating Whole-leather	/R	1	M387
	944 521 002 60 KZ2	Black	-90		
	944 521 002 60 TV1	Mahogany	-90		
	944 521 002 60 TS1	Marine blue	-90		
	944 521 002 60 LG7	Burgundy	-90		
	944 521 002 60 XG3	Caramel	-90		
	944 521 002 60 TW1	Linen	-90		
	944 521 002 60 XG4	Venetian blue	-90		
	944 521 002 60 XN4	Cashmere beige	-90		
	944 521 002 60 XN5	Silk grey	-90		
	944 521 002 60 XN6	Velvet red	-90		
	944 521 002 60 XN7	Slate grey	-90		
	944 521 002 60 ATH	Black	91-		
	944 521 002 60 APL	Classic grey	91-		
	944 521 002 60 ARL	Cobalt blue	91-		
	944 521 002 60 ASL	Magenta	91-		
	944 521 002 60 AQL	Light grey	91-		
	944 521 002 60 ATY	Cashmere beige	91-		
	944 521 002 60 BQB	Marine blue	91-		
	944 521 002 60 AVF	Matador red	91-		
	944 521 002 60 AVG	Carrara grey	91-		
	944 521 002 60 AVH	Sherwood green	91-		
(3A)	944 521 001 64	Sports seat with heating Whole-leather	/L	1	M383
	944 521 001 64 KZ2	Black	-90		
	944 521 001 64 TV1	Mahogany	-90		
	944 521 001 64 TS1	Marine blue	-90		
	944 521 001 64 LG7	Burgundy	-90		
	944 521 001 64 XG3	Caramel	-90		
	944 521 001 64 TW1	Linen	-90		
	944 521 001 64 XG4	Venetian blue	-90		
	944 521 001 64 XN4	Cashmere beige	-90		
	944 521 001 64 XN5	Silk grey	-90		
	944 521 001 64 XN6	Velvet red	-90		
	944 521 001 64 XN7	Slate grey	-90		
	944 521 001 64 ATH	Black	91-		
	944 521 001 64 APL	Classic grey	91-		
	944 521 001 64 ARL	Cobalt blue	91-		
	944 521 001 64 ASL	Magenta	91-		
	944 521 001 64 AQL	Light grey	91-		
	944 521 001 64 ATY	Cashmere beige	91-		
	944 521 001 64 BQB	Marine blue	91-		
	944 521 001 64 AVF	Matador red	91-		
	944 521 001 64 AVG	Carrara grey	91-		
	944 521 001 64 AVH	Sherwood green	91-		
(3A)	944 521 002 64	Sports seat with heating Whole-leather	/R	1	M387
	944 521 002 64 KZ2	Black	-90		
	944 521 002 64 TV1	Mahogany	-90		
	944 521 002 64 TS1	Marine blue	-90		
	944 521 002 64 LG7	Burgundy	-90		

Model: STZ Model life 1985>>1998

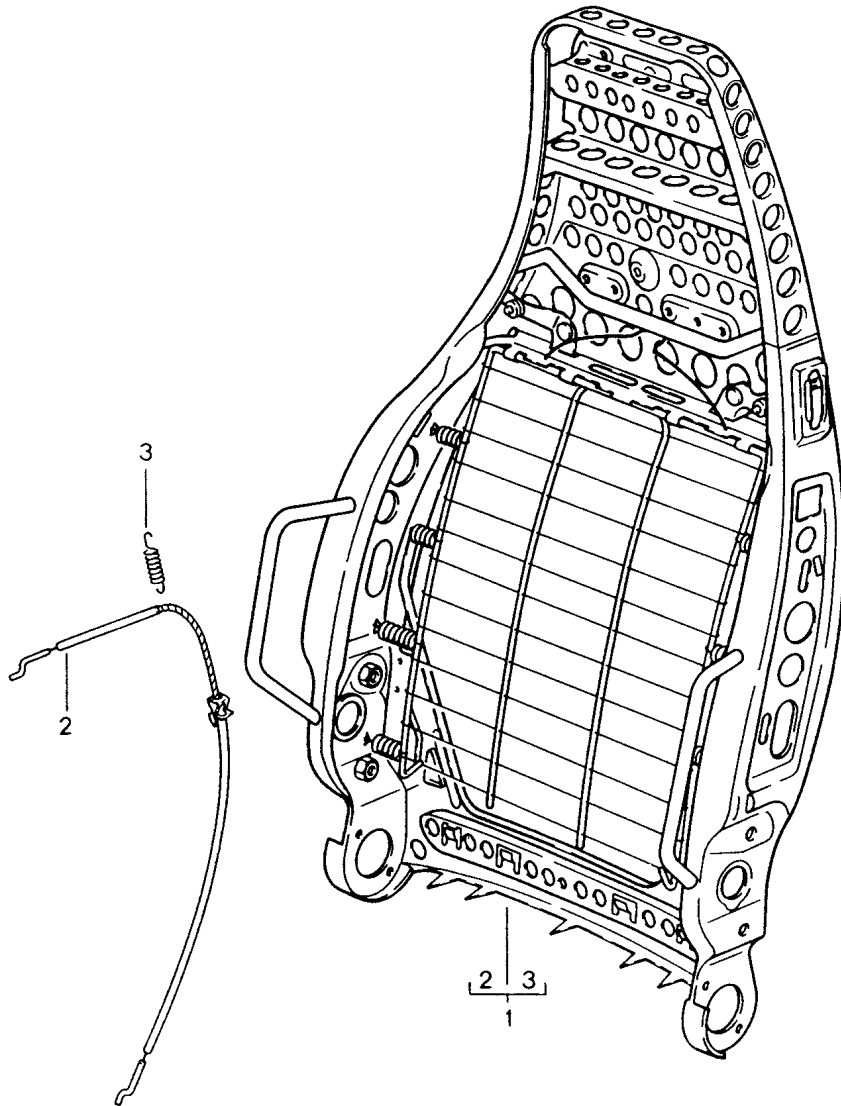
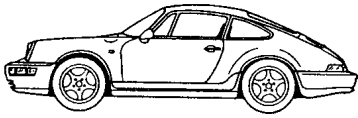
Pos	Part Number	Description	Remark	Qty	Model
	944 521 002 64 XG3	Caramel	-90		
	944 521 002 64 TW1	Linen	-90		
	944 521 002 64 XG4	Venetian blue	-90		
	944 521 002 64 XN4	Cashmere beige	-90		
	944 521 002 64 XN5	Silk grey	-90		
	944 521 002 64 XN6	Velvet red	-90		
	944 521 002 64 XN7	Slate grey	-90		
	944 521 002 64 ATH	Black	91-		
	944 521 002 64 APL	Classic grey	91-		
	944 521 002 64 ARL	Cobalt blue	91-		
	944 521 002 64 ASL	Magenta	91-		
	944 521 002 64 AQL	Light grey	91-		
	944 521 002 64 ATY	Cashmere beige	91-		
	944 521 002 64 BQB	Marine blue	91-		
	944 521 002 64 AVF	Matador red	91-		
	944 521 002 64 AVG	Carrara grey	91-		
	944 521 002 64 AVH	Sherwood green	91-		
4	911 521 547 00	Screw M 10 X 20		8	
5	928 521 147 02	Cover	/L	2	
	928 521 147 02 01C	Black			
	928 521 147 02 4MJ	Mahogany	-90		
	928 521 147 02 9JJ	Marine blue			
	928 521 147 02 9MM	Burgundy	-90		
	928 521 147 02 7XJ	Linen	-90		
	928 521 147 02 3UD	Cashmere beige			
	928 521 147 02 4XC	Classic grey	91-		
	928 521 147 02 6ZF	Cobalt blue	91-		
	928 521 147 02 6WX	Magenta	91-		
	928 521 147 02 9ZN	Light grey	91-		
(5)	928 521 148 02	Cover	/R	2	
	928 521 148 02 01C	Black			
	928 521 148 02 4MJ	Mahogany	-90		
	928 521 148 02 9JJ	Marine blue			
	928 521 148 02 9MM	Burgundy	-90		
	928 521 148 02 7XJ	Linen	-90		
	928 521 148 02 3UD	Cashmere beige			
	928 521 148 02 4XC	Classic grey	91-		
	928 521 148 02 6ZF	Cobalt blue	91-		
	928 521 148 02 6WX	Magenta	91-		
	928 521 148 02 9ZN	Light grey	91-		
6	900 025 044 07	Washer A 4,3		8	
7	900 143 113 07	Oval-head screw B 4,2 X 13		8	
7	900 143 113 0G	Oval-head screw B 4,2 X 13		8	
8	928 521 760 05	Cover		2	
	928 521 760 05 01C	Satin black			
9	900 143 113 07	Oval-head screw 4,2 X 13		4	
9	900 143 113 0G	Oval-head screw 4,2 X 13		4	
10	900 025 044 07	Washer A 4,3		4	
-	N 100 472 01	Speed nut ST. 3,9		4	
11	900 119 030 02	Pan-head screw M 8 X 20		12	
12	900 031 105 01	Washer		12	
12	900 031 001 02	Washer 8,4		12	
12	900 031 105 01	Washer		12	

Model: STZ Model life 1985&gt;&gt;1998

Pos	Part Number	Description	Remark	Qty	Model
13	964 521 701 00	8,4 Threaded plate Front and rear 2 X M 8		X	
(13)	928 521 101 08	Threaded plate Rear 4 X M 8		X	

Model: STZ

Model life 1985>>1998



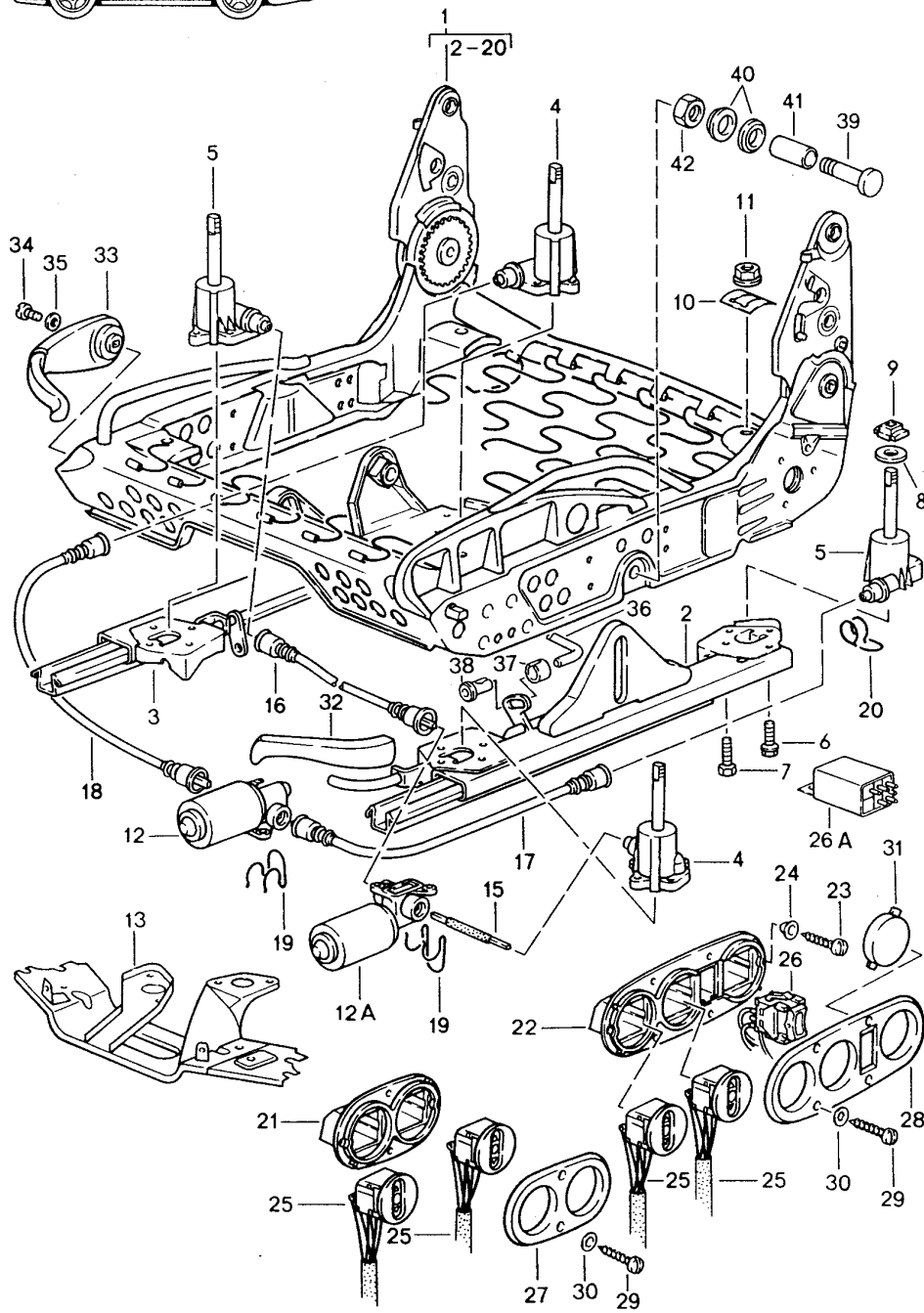
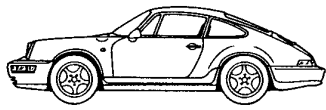


**Model: STZ**      **Model life 1985>>1998**

Pos	Part Number	Description	Remark	Qty	Model
		Backrest frame	89-94		CARRERA 2/4
		Sports seat			RS/TURBO
1	944 521 027 01	Backrest frame		2	
2	928 521 093 02	Bowden cable		2	
3	311 881 287 A	Tension spring		2	
		Actuating lever			

Model: STZ

Model life 1985>>1998



Model: STZ Model life 1985>>1998

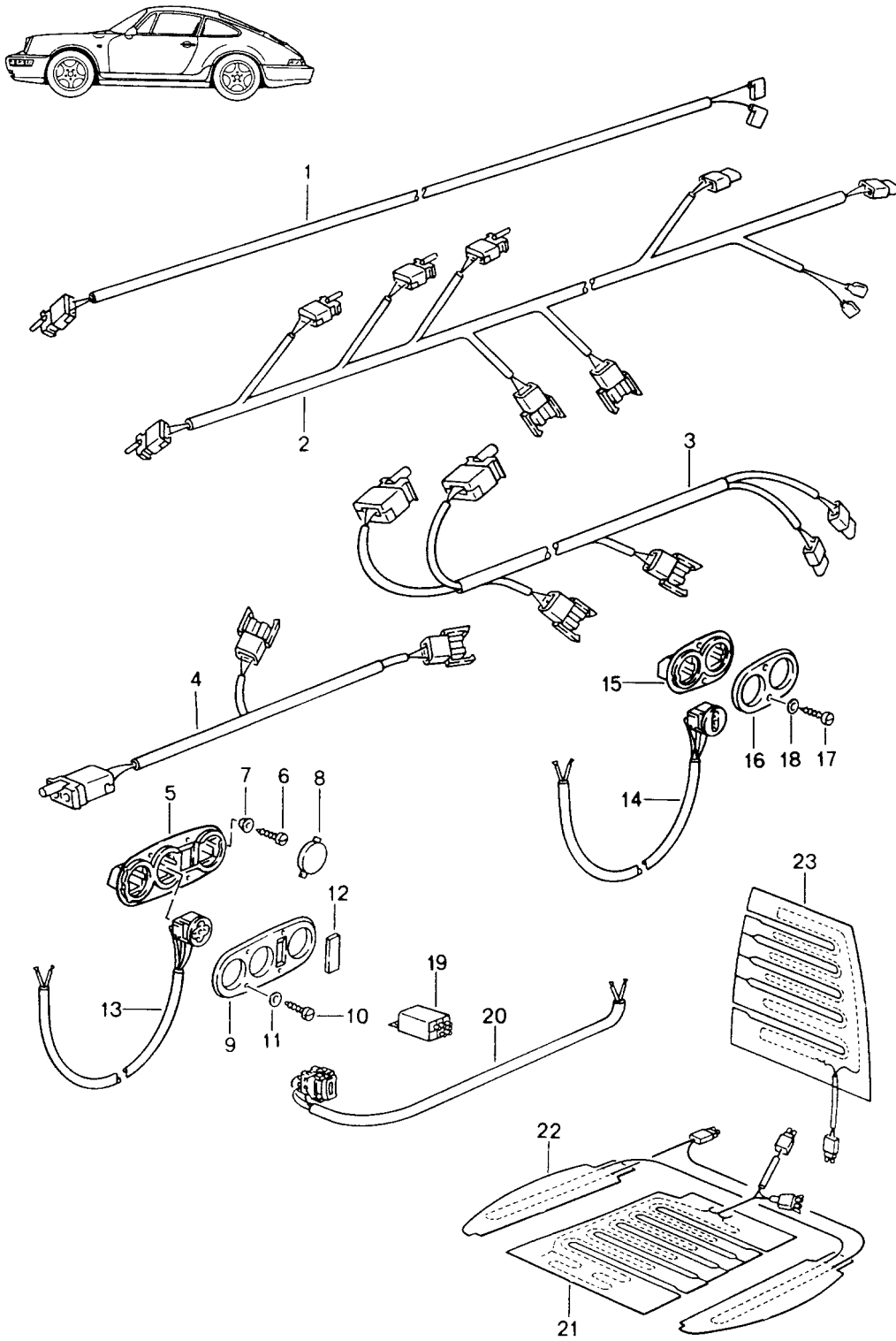
Pos	Part Number	Description	Remark	Qty	Model
		Seat frame	89-94		CARRERA 2/4
		Sports seat			RS/TURBO
1	993 521 069 02	Seat frame	/L	1	
(1)	993 521 070 02	Seat frame	/R	1	
2	928 521 489 11	Seat rail		1	
		Left seat			
		Outer			
(2)	928 521 490 11	Seat rail		1	
		Right seat			
		Outer			
(3)	964 521 491 00	Seat rail		1	
		Right seat			
		Inner			
3	964 521 492 00	Seat rail		1	
		Left seat			
		Inner			
4	928 521 721 03	Lifting gear		4	
		Left front, right rear			
5	928 521 722 03	Lifting gear		4	
		Right front, left rear			
6	999 217 033 01	Locking screw		10	
		M 6 X 16			
7	900 186 032 02	Pan-head screw		4	
		M 6 X 12			
8	999 025 129 40	Washer		8	
9	928 521 727 02	Slide		8	
10	928 521 723 02	Guide spring		8	
11	928 521 730 02	Nut		8	
12	928 624 126 01	Geared motor		2	
		Rear vertical adjustment			
12A		Geared motor		2	
		Front vertical adjustment			
13	928 521 033 02	Engine support		2	
15	928 521 671 03	Shaft		2	
		Front vertical adjustment			
		Left			
16	928 521 672 03	Shaft		2	
		Front vertical adjustment			
		Right			
17	928 521 673 05	Flexible shaft	/L	2	
		Rear vertical adjustment			
18	928 521 674 05	Flexible shaft	/R	2	
		Rear vertical adjustment			
18	928 521 674 06	Flexible shaft	/R	2	
		Rear vertical adjustment			
19	928 521 675 02	Moulded spring		4	
		for engine			
20	928 521 699 00	Moulded spring		6	
		Transmission			
21	928 521 559 04	Switch insert		2	
22	928 521 559 02	Switch insert	/L	1	
		Seat heater			
(22)	928 521 560 02	Switch insert	/R	1	
		Seat heater			
23	N 013 988 1	Counters. head tapp. screw		4	
		B 3,5 X 16			
24	999 591 849 07	Washer		4	
25	928 613 181 00	Switch		4	
		Front vertical adjustment			
		Rear vertical adjustment			
26	928 613 187 04	Switch		2	
		Seat heater			
	928 613 187 04 01C	Satin black			

Model: STZ Model life 1985>>1998

Pos	Part Number	Description	Remark	Qty	Model
26A	928 618 521 03	Control unit Seat heater		2	
27	928 521 561 04 928 521 561 04 01C	Trim for switch Satin black		2	
28	928 521 561 03 928 521 561 03 01C	Trim for switch Seat heater Satin black		2	
29	N 013 959 3	Oval-head sheetmetal screw B 3,5 X 16		X	
29	900 143 016 02	Oval-head sheetmetal screw B 3,5 X 16		X	
30	900 025 013 07	Washer A 3,7		X	
31	928 613 425 00	Cover Seat heater		X	
(32)	911 521 533 01 911 521 533 01 01C	Handle for longitudinal adjustment Satin black		2	
(33)	964 521 073 00 964 521 073 00 01C	Lever for backrest adjustment Satin black		2	
(33)	964 521 073 01 964 521 073 01 01C	Lever for backrest adjustment Black		2	
34	900 119 011 07	Pan-head screw M 5 X 10		2	
35	900 031 006 07	Washer 5,3		2	
36	928 521 525 03	Connecting rod for longitudinal adjustment		2	
37	N 902 514 01	Clamping sleeve for longitudinal adjustment		4	
38	N 902 515 01	Guide bush for longitudinal adjustment		4	
39	928 521 681 02	Bolt		4	
40	928 521 683 02	Washer 1,5 PA 6		8	
41	928 521 685 02	Bush		4	
42	900 034 003 02	Hexagon nut M 10		4	

Model: STZ

Model life 1985>>1998



Model: STZ Model life 1985>>1998

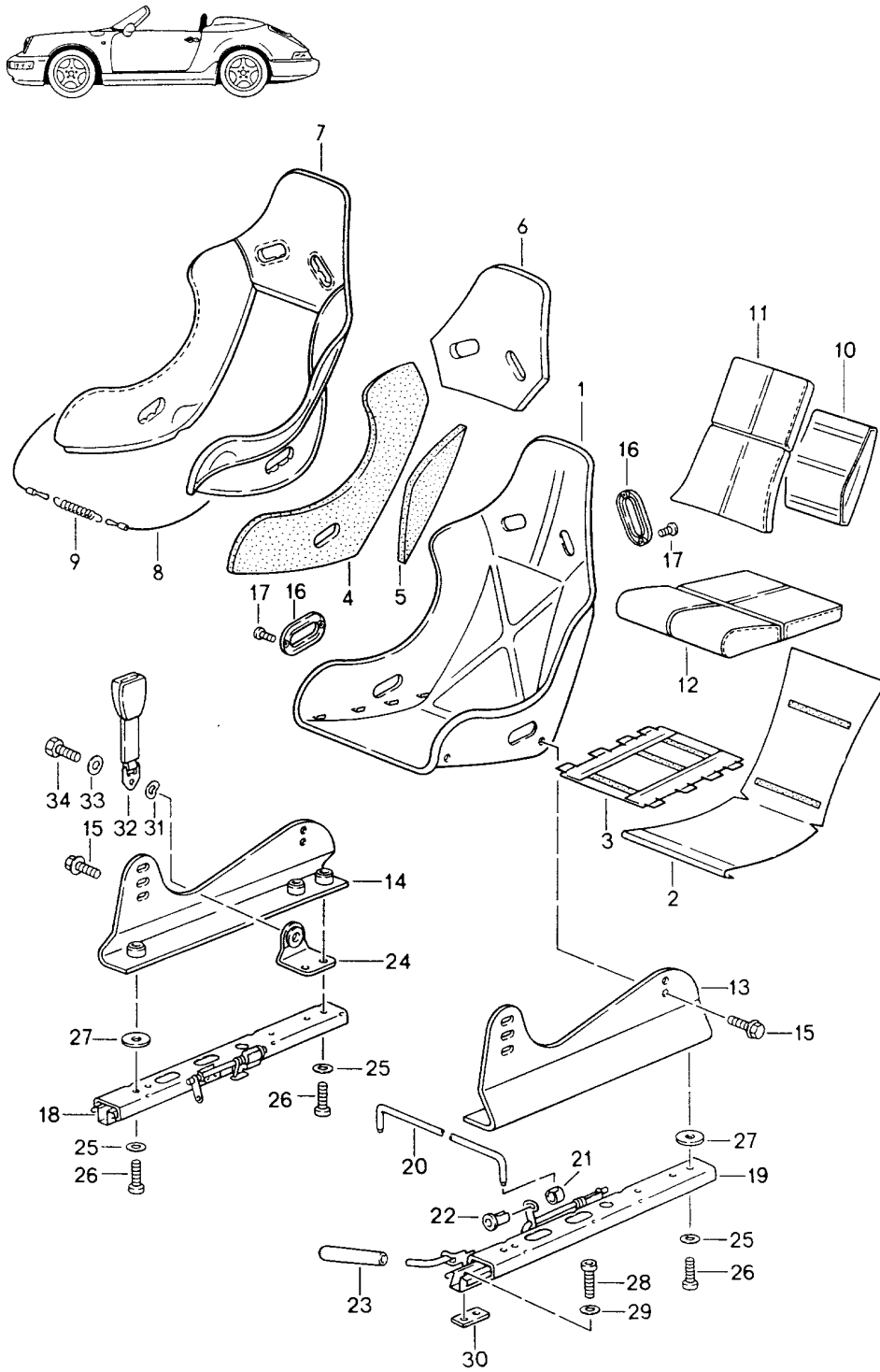
Pos	Part Number	Description	Remark	Qty	Model
		Wiring harnesses Switch Seat heater Front seat Connecting line for backrest adjustment	89-94	2	CARRERA 2/4 RS/TURBO TURBO-LOOK
1	928 612 343 00				
2	928 612 337 00	Wiring harness for backrest adjustment Lumbar support adjustment And Seat heater		2	
3	928 612 338 00	Wiring harness for backrest adjustment And Seat heater		2	
4	928 612 340 00	Wiring harness Seat heater		2	
-	999 652 373 40	Lid Wiring harness Seat heater		1	
5	928 521 559 02	Switch insert Seat heater	/L	1	
(5)	928 521 560 02	Switch insert Seat heater	/R	1	
6	N 013 988 1	Counters. head tapp. screw B 3,5 X 16		4	
7	999 591 849 07	Washer		4	
8	928 613 425 00	Cover Seat heater		X	
9	928 521 561 03	Trim for switch Seat heater		2	
10	928 521 561 03 01C N 013 959 3	Satin black Oval-head sheetmetal screw B 3,5 X 16		4	
10	900 143 016 02	Oval-head sheetmetal screw B 3,5 X 16		4	
11	900 025 013 07	Washer A 3,7		4	
(12)	944 613 259 02	Cover		X	
13	944 613 259 02 1DB 928 613 182 00	Satin black Switch for longitudinal adjustment		2	
(13)	928 613 183 00	Front vertical adjustment Switch for backrest adjustment Rear vertical adjustment		2	
(13)	928 613 184 00	Switch Lumbar support adjustment		2	
14	928 613 184 00 01C 928 613 181 00	Satin black Switch Front vertical adjustment Rear vertical adjustment		4	
15	928 521 559 04	Switch insert		2	
16	928 521 561 04	Trim for switch		2	
17	N 013 959 3	Oval-head sheetmetal screw B 3,5 X 16		4	
17	900 143 016 02	Oval-head sheetmetal screw B 3,5 X 16		4	
18	900 025 013 07	Washer A 3,7		4	
19	928 618 521 03	Control unit Seat heater		2	
20	928 613 187 04	Switch		2	

Model: STZ Model life 1985>>1998

Pos	Part Number	Description	Remark	Qty	Model
-	928 613 187 04 01C 964 612 227 00	Seat heater Satin black Wiring harness Adapter		1	
21	964 653 901 00	Seat heater Seat surface		2	
22	993 653 120 00	Seat heater Seat side bolster		2	
23	964 653 902 00	Seat heater Backrest		2	

Model: STZ

Model life 1985>>1998





Model: STZ Model life 1985>>1998

Pos	Part Number	Description	Remark	Qty	Model
		Bucket seat with Whole-leather Cover			SPEEDSTER M384/385
1	964 521 501 00	Cup		1	
2	964 521 577 02	Insert for Bucket seat		1	
3	964 521 753 00	Damping mat		1	
4	964 521 755 01	Foam part Lateral		2	
5	964 521 757 00	Foam part Lateral		2	
6	964 521 759 00	Foam part Head rest		1	
7	964 521 517 01	Cover Seat Leather		1	
	964 521 517 01 8YR	Black			
	964 521 517 01 C35	Black mat			
8	964 521 920 00	Tension wire		1	
9	964 521 823 00	Tensioning spring		1	
10	964 521 793 01	Desk pad Backrest		1	
11	964 521 319 00	Backrest cushion		1	
	964 521 319 00 ATH	Black/black			
	964 521 319 00 CJL	Pearl grey Pearl grey			
12	964 521 323 00	Seat cushion		1	
	964 521 323 00 ATH	Black/black			
	964 521 323 00 CJX	Dark grey Dark grey			
13	964 521 819 01	Adapter	/L	1	
14	964 521 820 01	Adapter	/R	1	
15	999 093 010 07	Hexagon-head bolt M 8 X 20		4	
16	964 521 855 00	Cover		4	
	964 521 855 00 01C	Satin black			
(16)	996 521 907 90	Parts kit Cover		1	
17	900 146 131 07	Oval-head screw M 3,5 X 6		8	
18	928 521 492 08	Seat rail Left seat Inner		1	
(18)	928 521 491 08	Seat rail Right seat Inner		1	
19	928 521 489 10	Seat rail Left seat Outer		1	
(19)	928 521 490 10	Seat rail Right seat Outer		1	
20	928 521 525 03	Connecting rod for longitudinal adjustment		1	
21	N 902 514 01	Clamping sleeve for longitudinal adjustment		2	
22	N 902 515 01	Guide bush for longitudinal adjustment		2	
23	911 521 533 01	Handle		1	
	911 521 533 01 01C	Satin black			
24	964 521 065 00	Support		1	

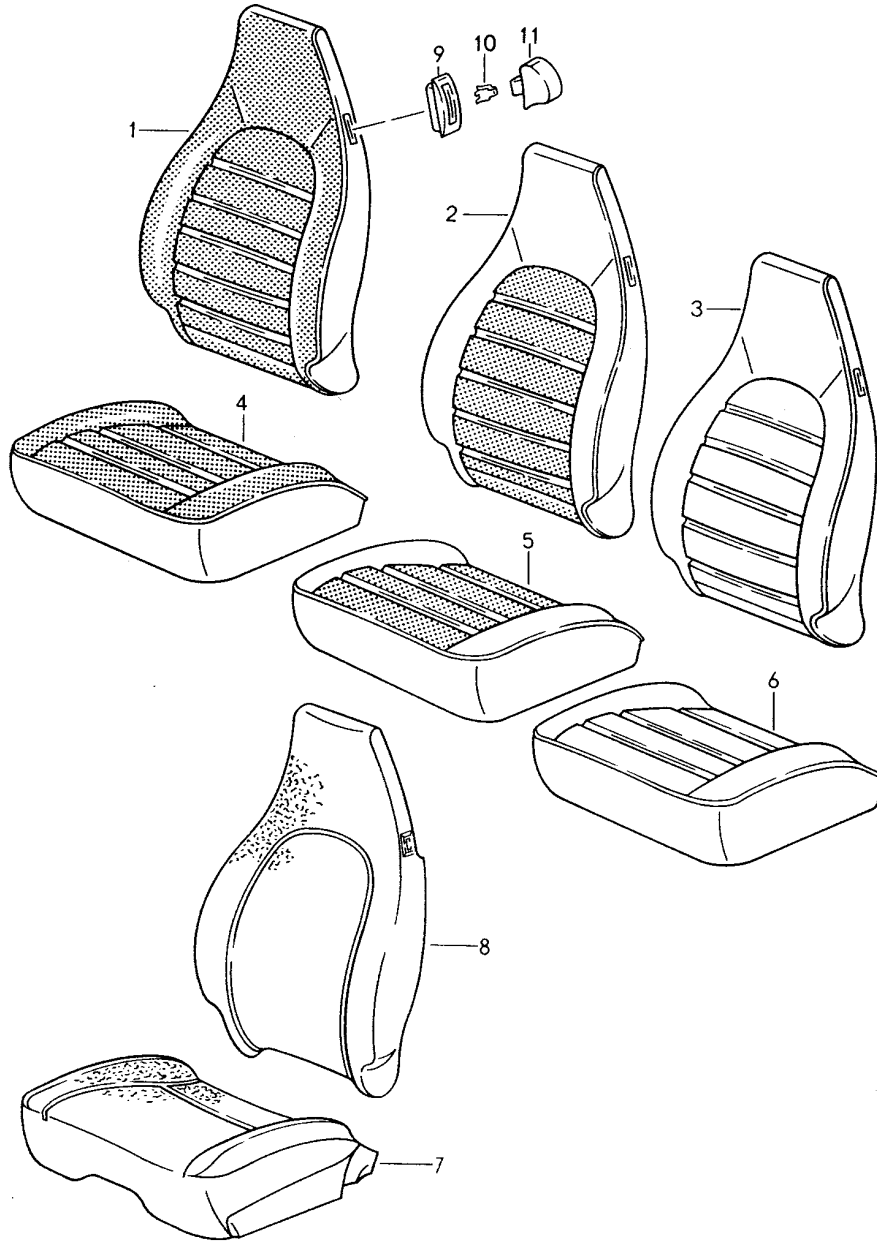
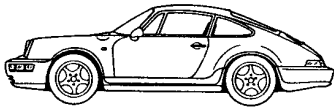
Model: STZ

Model life 1985&gt;&gt;1998

Pos	Part Number	Description	Remark	Qty	Model
		for			
25	900 025 007 03	Seat-belt buckle		6	
25	900 025 007 02	Washer		6	
		A 8,4			
25	900 025 007 03	Washer		6	
		A 8,4			
26	900 186 135 02	Pan-head screw		6	
		M 8 X 20			
27	999 025 231 03	Washer		4	
		8 X 27 X 3			
27	999 025 231 01	Washer		4	
		8 X 27 X 3			
28	900 089 006 02	Washer		6	
		8,0			
28	900 089 006 01	Washer		6	
		8,0			
29	900 119 030 02	Pan-head screw		6	
		M 8 X 20			
30	964 521 701 00	Threaded plate		3	
31	999 028 014 02	Spring washer		1	
32	964 803 183 04	Seat-belt buckle		1	
	964 803 183 04 70B	Black			
		Passenger's side			
(32)	964 803 183 05	Seat-belt buckle		1	
	964 803 183 05 70B	Black			
		Driver's side			
33	N 011 655 2	Washer		1	
34	959 803 701 00	Hexagon-head bolt		1	
34	959 803 701 01	Hexagon-head bolt		1	

Model: STZ

Model life 1985>>1998



Model: STZ Model life 1985>>1998

Pos	Part Number	Description	Remark	Qty	Model
1	928 521 071 22	Cover Front seat Backrest cover without heating Leatherette/ Backrest surface Pin stripe velour	89-94	2	CARRERA 2/4 TURBO/LOOK
	928 521 071 22 NY5	Black/ Black-white	-90		
	928 521 071 22 TU7	Mahogany/ Mahogany-white	-90		
	928 521 071 22 TR7	Blue/ Blue-white	-90		
	928 521 071 22 NY8	Burgundy/ Burgundy-white	-90		
	928 521 071 22 XK2	Linen/ Linen white	-90		
	928 521 071 22 XK5	Cashmere beige/ Cashmere beige-white	-90		
(1)	964 521 071 01	Backrest cover with heating Leatherette/ Backrest surface Pin stripe velour		2	
	964 521 071 01 NY5	Black/ Black-white	-90		
	964 521 071 01 TU7	Mahogany/ Mahogany-white	-90		
	964 521 071 01 TR7	Blue/ Blue-white	-90		
	964 521 071 01 NY8	Burgundy/ Burgundy-white	-90		
	964 521 071 01 XK2	Linen/ Linen white	-90		
	964 521 071 01 XK5	Cashmere beige/ Cashmere beige-white	-90		
1	928 521 071 22	Backrest cover without heating Leatherette/ Backrest surface Multicolour		2	
	928 521 071 22 XK8	Black/black			
	928 521 071 22 XK9	Mahogany/mahogany	-90		
	928 521 071 22 XN1	Marine blue/blue			
	928 521 071 22 XN2	Burgundy/burgundy	-90		
	928 521 071 22 XK4	Linen/linen	-90		
	928 521 071 22 XK7	Cashmere beige/cash. beige			
	928 521 071 22 AQP	Classic grey/classic grey	91-		
	928 521 071 22 AQV	Cobalt blue/cobalt blue	91-		
	928 521 071 22 ASN	Magenta/Magenta	91-		
	928 521 071 22 AQN	Light grey/light grey	91-		
(1)	964 521 071 01	Backrest cover with heating Leatherette/ Backrest surface Multicolour		2	
	964 521 071 01 XK8	Black/black			
	964 521 071 01 XK9	Mahogany/mahogany	-90		
	964 521 071 01 XN1	Marine blue/marine blue			
	964 521 071 01 XN2	Burgundy/burgundy	-90		
	964 521 071 01 XK4	Linen/linen	-90		
	964 521 071 01 XK7	Cashmere beige/cash. beige			
	964 521 071 01 AQP	Classic grey/classic grey	91-		

Model: STZ Model life 1985>>1998

Pos	Part Number	Description	Remark	Qty	Model
1	964 521 071 01 AQV	Cobalt blue/cobalt blue	91-	2	
	964 521 071 01 ASN	Magenta/Magenta	91-		
	964 521 071 01 AQN	Light grey/light grey	91-		
	928 521 071 22	Backrest cover without heating Leatherette/ Backrest surface Porsche lettering cloth			
	928 521 071 22 PX2	Black/black			
	928 521 071 22 TU9	Mahogany	-90		
	928 521 071 22 TR9	Marine blue			
	928 521 071 22 PX6	Burgundy/burgundy	-90		
	928 521 071 22 XK3	Linen/linen	-90		
	928 521 071 22 XK6	Cashmere beige/cash. beige			
	928 521 071 22 APM	Classic grey/classic grey	91-		
	928 521 071 22 ARM	Cobalt blue/cobalt blue	91-		
	928 521 071 22 ASM	Magenta/Magenta	91-		
	928 521 071 22 AQM	Light grey/light grey	91-		
(1)	964 521 071 01	Backrest cover with heating Leatherette/ Backrest surface Porsche lettering cloth		2	
2	964 521 071 01 PX2	Black/black		2	
	964 521 071 01 TU9	Mahogany/mahogany	-90		
	964 521 071 01 TR9	Marine blue/marine blue			
	964 521 071 01 PX6	Burgundy/burgundy	-90		
	964 521 071 01 XK3	Linen/linen	-90		
	964 521 071 01 XK6	Linen/linen			
	964 521 071 01 APM	Classic grey/classic grey	91-		
	964 521 071 01 ARM	Cobalt blue/cobalt blue	91-		
	964 521 071 01 ASM	Magenta/Magenta	91-		
	964 521 071 01 AQM	Light grey/light grey	91-		
	928 521 071 50	Backrest cover without heating Leatherette/leather Centre part in cloth Pin stripe velour			
	928 521 071 50 PY1	Black/black Black-white	-90		
	928 521 071 50 TU4	Mahogany/mahogany Mahogany-white	-90		
	928 521 071 50 TR4	Marine blue/marine blue Blue-white	-90		
928 521 071 50 PY4	Burgundy/burgundy Burgundy-white	-90			
928 521 071 50 XH2	Linen/linen Linen white	-90			
928 521 071 50 XH7	Cashmere beige/cash. beige Cashmere beige-white	-90			
(2)	964 521 071 02	Backrest cover with heating Leatherette/leather Centre part in cloth Pin stripe velour		2	
	964 521 071 02 PY1	Black/black Black-white	-90		
	964 521 071 02 TU4	Mahogany/mahogany Mahogany-white	-90		
	964 521 071 02 TR4	Blue/ Blue-white	-90		
	964 521 071 02 PY4	Burgundy/burgundy Burgundy-white	-90		

Model: STZ Model life 1985>>1998

Pos	Part Number	Description	Remark	Qty	Model
	964 521 071 02 XH2	Linen/linen Linen white	-90		
	964 521 071 02 XH7	Cashmere beige/cash. beige Cashmere beige-white	-90		
2	928 521 071 50	Backrest cover without heating Leatherette/leather Centre part in cloth Multicolour		2	
	928 521 071 50 XJ2	Black/black Black	-90		
	928 521 071 50 XJ3	Mahogany/mahogany Mahogany	-90		
	928 521 071 50 XJ5	Marine blue/blue Marine blue	-90		
	928 521 071 50 XJ7	Burgundy/burgundy Burgundy	-90		
	928 521 071 50 XH6	Linen/linen Linen	-90		
	928 521 071 50 XH9	Cashmere beige/cash. beige Cashmere beige	-90		
	928 521 071 50 ATF	Black/black Black	91-		
	928 521 071 50 APF	Classic grey/classic grey Classic grey	91-		
	928 521 071 50 ARF	Cobalt blue/cobalt blue Cobalt blue	91-		
	928 521 071 50 ASF	Magenta/Magenta Magenta	91-		
	928 521 071 50 AQF	Light grey/light grey Light grey	91-		
	928 521 071 50 ATL	Cashmere beige/cash. beige Cashmere beige	91-		
	928 521 071 50 BQK	Marine blue/marine blue Marine blue	91-		
(2)	964 521 071 02	Backrest cover with heating Leatherette/leather Centre part in cloth Multicolour		2	
	964 521 071 02 XJ2	Black/black Black	-90		
	964 521 071 02 XJ3	Mahogany/mahogany Mahogany	-90		
	964 521 071 02 XJ5	Marine blue/blue Marine blue	-90		
	964 521 071 02 XJ7	Burgundy/burgundy Burgundy	-90		
	964 521 071 02 XH6	Linen/linen Linen	-90		
	964 521 071 02 XH9	Cashmere beige/cash. beige Cashmere beige	-90		
	964 521 071 02 ATF	Black/black Black	91-		
	964 521 071 02 APF	Classic grey/classic grey Classic grey	91-		
	964 521 071 02 ARF	Cobalt blue/cobalt blue Cobalt blue	91-		
	964 521 071 02 ASF	Magenta/Magenta Magenta	91-		
	964 521 071 02 AQF	Light grey/light grey Light grey	91-		
	964 521 071 02 ATL	Cashmere beige/cash. beige	91-		

Model: STZ Model life 1985>>1998

Pos	Part Number	Description	Remark	Qty	Model	
2	964 521 071 02 BQK	Cashmere beige Marine blue/marine blue	91-	2		
	928 521 071 50	Marine blue Backrest cover without heating Leatherette/leather Centre part Porsche lettering cloth				
	928 521 071 50 PZ7	Black/black Black	-90			
	928 521 071 50 TU6	Mahogany Mahogany	-90			
	928 521 071 50 TR6	Marine blue/marine blue Blue	-90			
	928 521 071 50 QA1	Burgundy/burgundy Burgundy	-90			
	928 521 071 50 XH4	Linen/linen Linen	-90			
	928 521 071 50 XH8	Cashmere beige/cash. beige Cashmere beige	-90			
	928 521 071 50 ATA	Black/black Black	91-			
	928 521 071 50 APD	Classic grey/classic grey Classic grey	91-			
	928 521 071 50 ARD	Cobalt blue/cobalt blue Cobalt blue	91-			
	928 521 071 50 ASD	Magenta/Magenta Magenta	91-			
	928 521 071 50 AQD	Light grey/light grey Light grey	91-			
	928 521 071 50 ATR	Cashmere beige/cash. beige Cashmere beige	91-			
	928 521 071 50 BQM	Marine blue/marine blue Blue	91-			
	(2) 964 521 071 02	Backrest cover with heating Leatherette/leather Centre part Porsche lettering cloth				2
	964 521 071 02 PZ7	Black/black Black	-90			
964 521 071 02 TU6	Mahogany/mahogany Mahogany	-90				
964 521 071 02 TR6	Marine blue/blue Blue	-90				
964 521 071 02 QA1	Burgundy/burgundy Burgundy	-90				
964 521 071 02 XH4	Linen/linen Linen	-90				
964 521 071 02 XH8	Cashmere beige/cash. beige Cashmere beige	-90				
964 521 071 02 ATA	Black/black Black	91-				
964 521 071 02 APD	Classic grey/classic grey Classic grey	91-				
964 521 071 02 ARD	Cobalt blue/cobalt blue Cobalt blue	91-				
964 521 071 02 ASD	Magenta/Magenta Magenta	91-				
964 521 071 02 AQD	Light grey/light grey Light grey	91-				
964 521 071 02 ATR	Cashmere beige/cash. beige Cashmere beige	91-				

Model: STZ Model life 1985>>1998

Pos	Part Number	Description	Remark	Qty	Model	
2	964 521 071 02 BQM	Marine blue/marine blue Blue	91-	2		
	928 521 071 66	Backrest cover without heating Leather/ Centre part in cloth Pin stripe velour				
	928 521 071 66 LS5	Black/ Black-white	-90			
	928 521 071 66 TU1	Mahogany/ Mahogany-white	-90			
	928 521 071 66 TR1	Blue/ Blue-white	-90			
	928 521 071 66 LS9	Burgundy/ Burgundy-white	-90			
	928 521 071 66 XF5	Linen/ Linen white	-90			
	928 521 071 66 XF8	Cashmere beige/ Cashmere beige-white	-90			
	(2) 964 521 071 05	Backrest cover with heating Leather/ Centre part in cloth Pin stripe velour				2
	964 521 071 05 LS5	Black/ Black-white	-90			
964 521 071 05 TU1	Mahogany/ Mahogany-white	-90				
964 521 071 05 TR1	Blue/ Blue-white	-90				
964 521 071 05 LS9	Burgundy/ Burgundy-white	-90				
964 521 071 05 XF5	Linen/ Linen white	-90				
964 521 071 05 XF8	Cashmere beige/ Cashmere beige-white	-90				
2 928 521 071 66	Backrest cover without heating Leather/ Centre part in cloth Multicolour		2			
928 521 071 66 XG6	Black/black	-90				
928 521 071 66 XG7	Mahogany/mahogany	-90				
928 521 071 66 XG8	Marine blue/blue	-90				
928 521 071 66 XG9	Burgundy/burgundy	-90				
928 521 071 66 XF7	Linen/linen	-90				
928 521 071 66 XG5	Cashmere beige/cash. beige	-90				
928 521 071 66 ATJ	Black/black	91-				
928 521 071 66 AQT	Classic grey/classic grey	91-				
928 521 071 66 AQU	Cobalt blue/cobalt blue	91-				
928 521 071 66 ASG	Magenta/Magenta	91-				
928 521 071 66 AQJ	Light grey/light grey	91-				
928 521 071 66 ATW	Cashmere beige/cash. beige	91-				
928 521 071 66 BQJ	Marine blue/marine blue	91-				
(2) 964 521 071 05	Backrest cover with heating Leather/ Centre part in cloth Multicolour		2			
964 521 071 05 XG6	Black/black	-90				
964 521 071 05 XG7	Mahogany/mahogany	-90				
964 521 071 05 XG8	Marine blue/blue	-90				
964 521 071 05 XG9	Burgundy/burgundy	-90				



Model: STZ Model life 1985>>1998

Pos	Part Number	Description	Remark	Qty	Model
	964 521 071 05 XF7	Linen/linen	-90		
	964 521 071 05 XG5	Cashmere beige/cash. beige	-90		
	964 521 071 05 ATJ	Black/black	91-		
	964 521 071 05 AQT	Classic grey/classic grey	91-		
	964 521 071 05 AQU	Cobalt blue/cobalt blue	91-		
	964 521 071 05 ASG	Magenta/Magenta	91-		
	964 521 071 05 AQJ	Light grey/light grey	91-		
	964 521 071 05 ATW	Cashmere beige/cash. beige	91-		
	964 521 071 05 BQJ	Marine blue/marine blue	91-		
2	928 521 071 66	Backrest cover without heating Leather/ Centre part Porsche lettering cloth		2	
	928 521 071 66 QB2	Black/black	-90		
	928 521 071 66 TU3	Mahogany	-90		
	928 521 071 66 TR3	Marine blue	-90		
	928 521 071 66 QB8	Burgundy/burgundy	-90		
	928 521 071 66 XF6	Linen/linen	-90		
	928 521 071 66 XF9	Cashmere beige/cash. beige	-90		
	928 521 071 66 ATD	Black/black	91-		
	928 521 071 66 APG	Classic grey/classic grey	91-		
	928 521 071 66 ARG	Cobalt blue/cobalt blue	91-		
	928 521 071 66 ASG	Magenta/Magenta	91-		
	928 521 071 66 AQG	Light grey/light grey	91-		
	928 521 071 66 ATU	Cashmere beige/cash. beige	91-		
	928 521 071 66 BQL	Marine blue/marine blue	91-		
(2)	964 521 071 05	Backrest cover with heating Leather/ Centre part Porsche lettering cloth		2	
	964 521 071 05 QB2	Black/black	-90		
	964 521 071 05 TU3	Mahogany/mahogany	-90		
	964 521 071 05 TR3	Marine blue/blue	-90		
	964 521 071 05 QB8	Burgundy/burgundy	-90		
	964 521 071 05 XF6	Linen/linen	-90		
	964 521 071 05 XF9	Cashmere beige/cash. beige	-90		
	964 521 071 05 ATD	Black/black	91-		
	964 521 071 05 APG	Classic grey/classic grey	91-		
	964 521 071 05 ARG	Cobalt blue/cobalt blue	91-		
	964 521 071 05 ASG	Magenta/Magenta	91-		
	964 521 071 05 AQG	Light grey/light grey	91-		
	964 521 071 05 ATU	Cashmere beige/cash. beige	91-		
	964 521 071 05 BQL	Marine blue/marine blue	91-		
3	928 521 071 51	Backrest cover without heating Leatherette/ Backrest surface Leather		2	
	928 521 071 51 JN3	Black	-90		
	928 521 071 51 TV2	Mahogany	-90		
	928 521 071 51 TS2	Marine blue	-90		
	928 521 071 51 NZ8	Burgundy	-90		
	928 521 071 51 TW2	Linen	-90		
	928 521 071 51 XN3	Cashmere beige	-90		
	928 521 071 51 ATG	Black/black	91-		
	928 521 071 51 APK	Classic grey/classic grey	91-		
	928 521 071 51 ARK	Cobalt blue/cobalt blue	91-		
	928 521 071 51 ASK	Magenta/Magenta	91-		
	928 521 071 51 AQK	Light grey/light grey	91-		
	928 521 071 51 ATX	Cashmere beige/cash. beige	91-		
	928 521 071 51 BQA	Marine blue/marine blue	91-		

Model: STZ Model life 1985>>1998

Pos	Part Number	Description	Remark	Qty	Model
(3)	964 521 071 03	Backrest cover with heating Leatherette/ Backrest surface Leather		2	
	964 521 071 03 JN3	Black	-90		
	964 521 071 03 TV2	Mahogany	-90		
	964 521 071 03 TS2	Marine blue/marine blue	-90		
	964 521 071 03 NZ8	Burgundy/burgundy	-90		
	964 521 071 03 TW2	Linen/linen	-90		
	964 521 071 03 XN3	Cashmere beige	-90		
	964 521 071 03 ATG	Black/black	91-		
	964 521 071 03 APK	Classic grey/classic grey	91-		
	964 521 071 03 ARK	Cobalt blue/cobalt blue	91-		
	964 521 071 03 ASK	Magenta/Magenta	91-		
	964 521 071 03 AOK	Light grey/light grey	91-		
	964 521 071 03 ATX	Cashmere beige/cash. beige	91-		
	964 521 071 03 BQA	Marine blue/marine blue	91-		
3	928 521 071 65	Backrest cover without heating Whole-leather		2	
	928 521 071 65 KZ2	Black	-90		
	928 521 071 65 TV1	Mahogany	-90		
	928 521 071 65 TS1	Marine blue	-90		
	928 521 071 65 LG7	Burgundy	-90		
	928 521 071 65 XG3	Caramel	-90		
	928 521 071 65 TW1	Linen	-90		
	928 521 071 65 XG4	Venetian blue	-90		
	928 521 071 65 XN4	Cashmere beige	-90		
	928 521 071 65 XN5	Silk grey	-90		
	928 521 071 65 XN6	Velvet red	-90		
	928 521 071 65 XN7	Slate grey	-90		
	928 521 071 65 ATH	Black	91-		
	928 521 071 65 APL	Classic grey	91-		
	928 521 071 65 ARL	Cobalt blue	91-		
	928 521 071 65 ASL	Magenta	91-		
	928 521 071 65 AQL	Light grey	91-		
	928 521 071 65 ATY	Cashmere beige	91-		
	928 521 071 65 BQB	Marine blue	91-		
	928 521 071 65 AVF	Matador red	91-		
	928 521 071 65 AVG	Carrara grey	91-		
	928 521 071 65 AVH	Sherwood green	91-		
(3)	964 521 071 04	Backrest cover with heating Whole-leather		2	
	964 521 071 04 KZ2	Black	-90		
	964 521 071 04 TV1	Mahogany	-90		
	964 521 071 04 TS1	Marine blue	-90		
	964 521 071 04 LG7	Burgundy	-90		
	964 521 071 04 XG3	Caramel	-90		
	964 521 071 04 TW1	Linen	-90		
	964 521 071 04 XG4	Venetian blue	-90		
	964 521 071 04 XN4	Cashmere beige	-90		
	964 521 071 04 XN5	Silk grey	-90		
	964 521 071 04 XN6	Velvet red	-90		
	964 521 071 04 XN7	Slate grey	-90		
	964 521 071 04 ATH	Black	91-		
	964 521 071 04 APL	Classic grey	91-		
	964 521 071 04 ARL	Cobalt blue	91-		
	964 521 071 04 ASL	Magenta	91-		
	964 521 071 04 AQL	Light grey	91-		
	964 521 071 04 ATY	Cashmere beige	91-		
	964 521 071 04 BQB	Marine blue	91-		

Model: STZ Model life 1985>>1998

Pos	Part Number	Description	Remark	Qty	Model
3	964 521 071 04 AVF	Matador red	91-	2	
	964 521 071 04 AVG	Carrara grey	91-		
	964 521 071 04 AVH	Sherwood green	91-		
	928 521 071 01	Backrest cover without heating Draped leather			
	928 521 071 01 KZ2	Black	-90		
	928 521 071 01 TV1	Mahogany	-90		
	928 521 071 01 TS1	Marine blue	-90		
	928 521 071 01 LG7	Burgundy	-90		
	928 521 071 01 XG3	Caramel	-90		
	928 521 071 01 TW1	Linen	-90		
	928 521 071 01 XG4	Venetian blue	-90		
	928 521 071 01 XN4	Cashmere beige	-90		
	928 521 071 01 XN5	Silk grey	-90		
	928 521 071 01 XN6	Velvet red	-90		
	928 521 071 01 XN7	Slate grey	-90		
	928 521 071 01 ATH	Black	91-		
	928 521 071 01 APL	Classic grey	91-		
	928 521 071 01 ARL	Cobalt blue	91-		
	928 521 071 01 ASL	Magenta	91-		
	928 521 071 01 AQL	Light grey	91-		
	928 521 071 01 ATY	Cashmere beige	91-		
	928 521 071 01 BQB	Marine blue	91-		
	928 521 071 01 AVF	Matador red	91-		
	928 521 071 01 AVG	Carrara grey	91-		
	928 521 071 01 AVH	Sherwood green	91-		
	(3) 964 521 071 06	Backrest cover with heating Draped leather			
	964 521 071 06 KZ2	Black	-90		
964 521 071 06 TV1	Mahogany	-90			
964 521 071 06 TS1	Marine blue	-90			
964 521 071 06 LG7	Burgundy	-90			
964 521 071 06 XG3	Caramel	-90			
964 521 071 06 TW1	Linen	-90			
964 521 071 06 XG4	Venetian blue	-90			
964 521 071 06 XN4	Cashmere beige	-90			
964 521 071 06 XN5	Silk grey	-90			
964 521 071 06 XN6	Velvet red	-90			
964 521 071 06 XN7	Slate grey	-90			
964 521 071 06 ATH	Black	91-			
964 521 071 06 APL	Classic grey	91-			
964 521 071 06 ARL	Cobalt blue	91-			
964 521 071 06 ASL	Magenta	91-			
964 521 071 06 AQL	Light grey	91-			
964 521 071 06 ATY	Cashmere beige	91-			
964 521 071 06 BQB	Marine blue	91-			
964 521 071 06 AVF	Matador red	91-			
964 521 071 06 AVG	Carrara grey	91-			
964 521 071 06 AVH	Sherwood green	91-			
3 964 521 071 04	Backrest cover with heating Leather	92			
964 521 071 04 BQZ	Rhodamine				
964 521 071 04 BQY	Wimbledon green				
964 521 071 04 BQX	Florentine grey				
4 944 521 037 11	Cover for cushion for manual adjustment Leatherette/ Seat surface Pin stripe velour				
944 521 037 11 NY5	Black/	-90			

Model: STZ Model life 1985>>1998

Pos	Part Number	Description	Remark	Qty	Model
	944 521 037 11 TU7	Black-white Mahogany/	-90		
	944 521 037 11 TR7	Mahogany-white Blue/	-90		
	944 521 037 11 NY8	Blue-white Burgundy/	-90		
	944 521 037 11 XK2	Burgundy-white Linen/	-90		
	944 521 037 11 XK5	Linen white Cashmere beige/	-90		
(4)	944 521 037 14	Cashmere beige-white Cover for cushion without heating for electric adjustment Leatherette/ Seat surface Pin stripe velour		2	
	944 521 037 14 NY5	Black/ Black-white	-90		
	944 521 037 14 TU7	Mahogany Mahogany-white	-90		
	944 521 037 14 TR7	Marine blue Blue-white	-90		
	944 521 037 14 NY8	Burgundy/ Burgundy-white	-90		
	944 521 037 14 XK2	Linen/ Linen white	-90		
	944 521 037 14 XK5	Cashmere beige/ Cashmere beige-white	-90		
(4)	964 521 037 01	Cover for cushion with heating for electric adjustment Leatherette/ Seat surface Pin stripe velour		2	
	964 521 037 01 NY5	Black/ Black-white	-90		
	964 521 037 01 TU7	Mahogany/ Mahogany-white	-90		
	964 521 037 01 TR7	Blue/ Blue-white	-90		
	964 521 037 01 NY8	Burgundy/ Burgundy-white	-90		
	964 521 037 01 XK2	Linen/ Linen white	-90		
	964 521 037 01 XK5	Cashmere beige/ Cashmere beige-white	-90		
4	944 521 037 11	Cover for cushion for manual adjustment Leatherette/ Seat surface Multicolour		2	
	944 521 037 11 XK8	Black/black			
	944 521 037 11 XK9	Mahogany/mahogany	-90		
	944 521 037 11 XN1	Marine blue/blue			
	944 521 037 11 XN2	Burgundy/burgundy	-90		
	944 521 037 11 XK4	Linen/linen	-90		
	944 521 037 11 XK7	Cashmere beige/cash. beige			
	944 521 037 11 AQP	Classic grey/classic grey	91-		
	944 521 037 11 AQP	Cobalt blue/cobalt blue	91-		
	944 521 037 11 ASN	Magenta/Magenta	91-		
	944 521 037 11 AQN	Light grey/light grey	91-		
(4)	944 521 037 14	Cover for cushion		2	

Model: STZ Model life 1985>>1998

Pos	Part Number	Description	Remark	Qty	Model
		without heating for electric adjustment Leatherette/ Seat surface Multicolour			
	944 521 037 14 XK8	Black/black			
	944 521 037 14 XK9	Mahogany/mahogany	-90		
	944 521 037 14 XN1	Marine blue/blue			
	944 521 037 14 XN2	Burgundy/burgundy	-90		
	944 521 037 14 XK4	Linen/linen	-90		
	944 521 037 14 XK7	Cashmere beige/cash. beige			
	944 521 037 14 AQP	Classic grey/classic grey	91-		
	944 521 037 14 AQV	Cobalt blue/cobalt blue	91-		
	944 521 037 14 ASN	Magenta/Magenta	91-		
	944 521 037 14 AQN	Light grey/light grey	91-		
(4)	964 521 037 01	Cover for cushion with heating for electric adjustment Leatherette/ Seat surface Multicolour		2	
	964 521 037 01 XK8	Black/black			
	964 521 037 01 XK9	Mahogany/mahogany	-90		
	964 521 037 01 XN1	Marine blue/marine blue			
	964 521 037 01 XN2	Burgundy/burgundy	-90		
	964 521 037 01 XK4	Linen/linen	-90		
	964 521 037 01 XK7	Cashmere beige/cash. beige			
	964 521 037 01 AQP	Classic grey/classic grey	91-		
	964 521 037 01 AQV	Cobalt blue/cobalt blue	91-		
	964 521 037 01 ASN	Magenta/Magenta	91-		
	964 521 037 01 AQN	Light grey/light grey	91-		
4	944 521 037 11	Cover for cushion for manual adjustment Leatherette/ Seat surface Porsche lettering cloth		2	
	944 521 037 11 PX2	Black/black			
	944 521 037 11 TU9	Mahogany	-90		
	944 521 037 11 TR9	Marine blue			
	944 521 037 11 PX6	Burgundy/burgundy	-90		
	944 521 037 11 XK3	Linen/linen	-90		
	944 521 037 11 XK6	Cashmere beige/cash. beige			
	944 521 037 11 APM	Classic grey/classic grey	91-		
	944 521 037 11 ARM	Cobalt blue/cobalt blue	91-		
	944 521 037 11 ASM	Magenta/Magenta	91-		
	944 521 037 11 AQM	Light grey/light grey	91-		
(4)	944 521 037 14	Cover for cushion without heating for electric adjustment Leatherette/ Seat surface Porsche lettering cloth		2	
	944 521 037 14 PX2	Black/black			
	944 521 037 14 TU9	Mahogany	-90		
	944 521 037 14 TR9	Marine blue			
	944 521 037 14 PX6	Burgundy/burgundy	-90		
	944 521 037 14 XK3	Linen/linen	-90		
	944 521 037 14 XK6	Cashmere beige/cash. beige			
	944 521 037 14 APM	Classic grey/classic grey	91-		
	944 521 037 14 ARM	Cobalt blue/cobalt blue	91-		
	944 521 037 14 ASM	Magenta/Magenta	91-		
	944 521 037 14 AQM	Light grey/light grey	91-		
(4)	964 521 037 01	Cover for cushion		2	

Model: STZ Model life 1985>>1998

Pos	Part Number	Description	Remark	Qty	Model
		with heating for electric adjustment Leatherette/ Seat surface Porsche lettering cloth			
	964 521 037 01 PX2	Black/black			
	964 521 037 01 TU9	Mahogany/mahogany	-90		
	964 521 037 01 TR9	Marine blue/blue			
	964 521 037 01 PX6	Burgundy/burgundy	-90		
	964 521 037 01 XK3	Linen/linen	-90		
	964 521 037 01 XK6	Cashmere beige/cash. beige			
	964 521 037 01 APM	Classic grey/classic grey	91-		
	964 521 037 01 ARM	Cobalt blue/cobalt blue	91-		
	964 521 037 01 ASM	Magenta/Magenta	91-		
	964 521 037 01 AQM	Light grey/light grey	91-		
5	944 521 037 75	Cover for cushion for manual adjustment Leatherette/leather Centre part in cloth Pin stripe velour		2	
	944 521 037 75 PY1	Black/black Black-white	-90		
	944 521 037 75 TU4	Mahogany Mahogany-white	-90		
	944 521 037 75 TR4	Marine blue/marine blue Blue-white	-90		
	944 521 037 75 PY4	Burgundy/burgundy Burgundy-white	-90		
	944 521 037 75 XH2	Linen/linen Linen white	-90		
	944 521 037 75 XH7	Cashmere beige/cash. beige Cashmere beige-white	-90		
(5)	944 521 037 79	Cover for cushion for electric adjustment without heating Leatherette/leather Centre part in cloth Pin stripe velour		2	
	944 521 037 79 PY1	Black/black Black-white	-90		
	944 521 037 79 TU4	Mahogany/mahogany Mahogany-white	-90		
	944 521 037 79 TR4	Marine blue/marine blue Blue-white	-90		
	944 521 037 79 PY4	Burgundy/burgundy Burgundy-white	-90		
	944 521 037 79 XH2	Linen/linen Linen white	-90		
	944 521 037 79 XH7	Cashmere beige/cash. beige Cashmere beige-white	-90		
(5)	964 521 037 02	Cover for cushion for electric adjustment with heating Leatherette/leather Centre part in cloth Pin stripe velour		2	
	964 521 037 02 PY1	Black/black Black-white	-90		
	964 521 037 02 TU4	Mahogany/mahogany Mahogany-white	-90		
	964 521 037 02 TR4	Marine blue/marine blue Blue-white	-90		
	964 521 037 02 PY4	Burgundy/burgundy	-90		

Model: **STZ** Model life **1985>>1998**

Pos	Part Number	Description	Remark	Qty	Model
	964 521 037 02 XH2	Burgundy-white Linen/linen	-90		
	964 521 037 02 XH7	Linen white Cashmere beige/cash. beige	-90		
5	944 521 037 75	Cashmere beige-white Cover for cushion for manual adjustment Leatherette/leather Centre part in cloth Multicolour		2	
	944 521 037 75 XJ2	Black/black Black	-90		
	944 521 037 75 XJ3	Mahogany/mahogany Mahogany	-90		
	944 521 037 75 XJ5	Marine blue/blue Marine blue	-90		
	944 521 037 75 XJ7	Burgundy/burgundy Burgundy	-90		
	944 521 037 75 XH6	Linen/linen Linen	-90		
	944 521 037 75 XH9	Cashmere beige/cash. beige Cashmere beige	-90		
	944 521 037 75 ATF	Black/black Black	91-		
	944 521 037 75 APF	Classic grey/classic grey Classic grey	91-		
	944 521 037 75 ARF	Cobalt blue/cobalt blue Cobalt blue	91-		
	944 521 037 75 ASF	Magenta/Magenta Magenta	91-		
	944 521 037 75 AQF	Light grey/light grey Light grey	91-		
	944 521 037 75 ATL	Cashmere beige/cash. beige Cashmere beige	91-		
	944 521 037 75 BQK	Marine blue/marine blue Marine blue	91-		
(5)	944 521 037 79	Cover for cushion for electric adjustment without heating Leatherette/leather Centre part in cloth Multicolour		2	
	944 521 037 79 XJ2	Black/black Black	-90		
	944 521 037 79 XJ3	Mahogany/mahogany Mahogany	-90		
	944 521 037 79 XJ5	Marine blue/blue Marine blue	-90		
	944 521 037 79 XJ7	Burgundy/burgundy Burgundy	-90		
	944 521 037 79 XH6	Linen/linen Linen	-90		
	944 521 037 79 XH9	Cashmere beige/cash. beige Cashmere beige	-90		
	944 521 037 79 ATF	Black/black Black	91-		
	944 521 037 79 APF	Classic grey/classic grey Classic grey	91-		
	944 521 037 79 ARF	Cobalt blue/cobalt blue Cobalt blue	91-		
	944 521 037 79 ASF	Magenta/Magenta Magenta	91-		
	944 521 037 79 AQF	Light grey/light grey	91-		

Model: STZ Model life 1985&gt;&gt;1998

Pos	Part Number	Description	Remark	Qty	Model
	944 521 037 79 ATL	Light grey Cashmere beige/cash. beige	91-		
	944 521 037 79 BQK	Cashmere beige Marine blue/marine blue	91-		
(5)	964 521 037 02	Marine blue Cover for cushion for electric adjustment with heating Leatherette/leather Centre part in cloth Multicolour		2	
	964 521 037 02 XJ2	Black/black Black	-90		
	964 521 037 02 XJ3	Mahogany/mahogany Mahogany	-90		
	964 521 037 02 XJ5	Marine blue/marine blue Marine blue	-90		
	964 521 037 02 XJ7	Burgundy/burgundy Burgundy	-90		
	964 521 037 02 XH6	Linen/linen Linen	-90		
	964 521 037 02 XH9	Cashmere beige/cash. beige Cashmere beige	-90		
	964 521 037 02 ATF	Black/black Black	91-		
	964 521 037 02 APF	Classic grey/classic grey Classic grey	91-		
	964 521 037 02 ARF	Cobalt blue/cobalt blue Cobalt blue	91-		
	964 521 037 02 ASF	Magenta/Magenta Magenta	91-		
	964 521 037 02 AQF	Light grey/light grey Light grey	91-		
	964 521 037 02 ATL	Cashmere beige/cash. beige Cashmere beige	91-		
	964 521 037 02 BQK	Marine blue/marine blue Marine blue	91-		
5	944 521 037 75	Cover for cushion for manual adjustment Leatherette/leather Centre part Porsche lettering cloth		2	
	944 521 037 75 PZ7	Black/black Black	-90		
	944 521 037 75 TU6	Mahogany Mahogany	-90		
	944 521 037 75 TR6	Marine blue/marine blue Blue	-90		
	944 521 037 75 QA1	Burgundy/burgundy Burgundy	-90		
	944 521 037 75 XH4	Linen/linen Linen	-90		
	944 521 037 75 XH8	Cashmere beige/cash. beige Cashmere beige	-90		
	944 521 037 75 ATA	Black/black Black	91-		
	944 521 037 75 APD	Classic grey/classic grey Classic grey	91-		
	944 521 037 75 ARD	Cobalt blue/cobalt blue Cobalt blue	91-		
	944 521 037 75 ASD	Magenta/Magenta Magenta	91-		
	944 521 037 75 AQD	Light grey/light grey	91-		



Model: STZ Model life 1985&gt;&gt;1998

Pos	Part Number	Description	Remark	Qty	Model
	944 521 037 75 ATR	Light grey Cashmere beige/cash. beige	91-		
	944 521 037 75 BQM	Cashmere beige Marine blue/marine blue	91-		
(5)	944 521 037 79	Blue Cover for cushion for electric adjustment without heating Leatherette/leather Centre part Porsche lettering cloth		2	
	944 521 037 79 PZ7	Black/black Black	-90		
	944 521 037 79 TU6	Mahogany Mahogany	-90		
	944 521 037 79 TR6	Marine blue Blue	-90		
	944 521 037 79 QA1	Burgundy/burgundy Burgundy	-90		
	944 521 037 79 XH4	Linen/linen Linen	-90		
	944 521 037 79 XH8	Cashmere beige/cash. beige Cashmere beige	-90		
	944 521 037 79 ATA	Black/black Black	91-		
	944 521 037 79 APD	Classic grey/classic grey Classic grey	91-		
	944 521 037 79 ARD	Cobalt blue/cobalt blue Cobalt blue	91-		
	944 521 037 79 ASD	Magenta/Magenta Magenta	91-		
	944 521 037 79 AQD	Light grey/light grey Light grey	91-		
	944 521 037 79 ATR	Cashmere beige/cash. beige Cashmere beige	91-		
	944 521 037 79 BQM	Marine blue/marine blue Blue	91-		
(5)	964 521 037 02	Cover for cushion for electric adjustment with heating Leatherette/leather Centre part Porsche lettering cloth		2	
	964 521 037 02 PZ7	Black/black Black	-90		
	964 521 037 02 TU6	Mahogany/mahogany Mahogany	-90		
	964 521 037 02 TR6	Marine blue/marine blue Blue	-90		
	964 521 037 02 QA1	Burgundy/burgundy Burgundy	-90		
	964 521 037 02 XH4	Linen/linen Linen	-90		
	964 521 037 02 XH8	Cashmere beige/cash. beige Cashmere beige	-90		
	964 521 037 02 ATA	Black/black Black	91-		
	964 521 037 02 APD	Classic grey/classic grey Classic grey	91-		
	964 521 037 02 ARD	Cobalt blue/cobalt blue Cobalt blue	91-		
	964 521 037 02 ASD	Magenta/Magenta Magenta	91-		

Model: STZ Model life 1985>>1998

Pos	Part Number	Description	Remark	Qty	Model
	964 521 037 02 AQD	Light grey/light grey	91-		
	964 521 037 02 ATR	Light grey Cashmere beige/cash. beige	91-		
	964 521 037 02 BQM	Cashmere beige Marine blue/marine blue	91-		
5	944 521 037 78	Blue Cover for cushion for manual adjustment Leather/ Centre part in cloth Pin stripe velour		2	
	944 521 037 78 LS5	Black/ Black-white	-90		
	944 521 037 78 TU1	Mahogany/ Mahogany-white	-90		
	944 521 037 78 TR1	Blue/ Blue-white	-90		
	944 521 037 78 LS9	Burgundy/ Burgundy-white	-90		
	944 521 037 78 XF5	Linen/ Linen white	-90		
	944 521 037 78 XF8	Cashmere beige/ Cashmere beige-white	-90		
(5)	944 521 037 82	Cover for cushion for electric adjustment without heating Leather/ Centre part in cloth Pin stripe velour		2	
	944 521 037 82 LS5	Black/ Black-white	-90		
	944 521 037 82 TU1	Mahogany/ Mahogany-white	-90		
	944 521 037 82 TR1	Blue/ Blue-white	-90		
	944 521 037 82 LS9	Burgundy/ Burgundy-white	-90		
	944 521 037 82 XF5	Linen/ Linen white	-90		
	944 521 037 82 XF8	Cashmere beige/ Cashmere beige-white	-90		
(5)	964 521 037 05	Cover for cushion for electric adjustment with heating Leather/ Centre part in cloth Pin stripe velour		2	
	964 521 037 05 LS5	Black/ Black-white	-90		
	964 521 037 05 TU1	Mahogany/ Mahogany-white	-90		
	964 521 037 05 TR1	Blue/ Blue-white	-90		
	964 521 037 05 LS9	Burgundy/ Burgundy-white	-90		
	964 521 037 05 XF5	Linen/ Linen white	-90		
	964 521 037 05 XF8	Cashmere beige/ Cashmere beige-white	-90		
5	944 521 037 78	Cover for cushion for manual adjustment Leather/ Centre part in cloth		2	

Model: STZ Model life 1985>>1998

Pos	Part Number	Description	Remark	Qty	Model
		Multicolour			
	944 521 037 78 XG6	Black/black	-90		
	944 521 037 78 XG7	Mahogany/mahogany	-90		
	944 521 037 78 XG8	Marine blue/blue	-90		
	944 521 037 78 XG9	Burgundy/burgundy	-90		
	944 521 037 78 XF7	Linen/linen	-90		
	944 521 037 78 XG5	Cashmere beige/cash. beige	-90		
	944 521 037 78 ATJ	Black/black	91-		
	944 521 037 78 AQT	Classic grey/classic grey	91-		
	944 521 037 78 AQU	Cobalt blue/cobalt blue	91-		
	944 521 037 78 ASJ	Magenta/Magenta	91-		
	944 521 037 78 AQJ	Light grey/light grey	91-		
	944 521 037 78 ATW	Cashmere beige/cash. beige	91-		
	944 521 037 78 BQJ	Marine blue/marine blue	91-		
(5)	944 521 037 82	Cover for cushion for electric adjustment without heating Leather/ Centre part in cloth Multicolour		2	
	944 521 037 82 XG6	Black/black	-90		
	944 521 037 82 XG7	Mahogany/mahogany	-90		
	944 521 037 82 XG8	Marine blue/blue	-90		
	944 521 037 82 XG9	Burgundy/burgundy	-90		
	944 521 037 82 XF7	Linen/linen	-90		
	944 521 037 82 XG5	Cashmere beige/cash. beige	-90		
	944 521 037 82 ATJ	Black/black	91-		
	944 521 037 82 AQT	Classic grey/classic grey	91-		
	944 521 037 82 AQU	Cobalt blue/cobalt blue	91-		
	944 521 037 82 ASJ	Magenta/Magenta	91-		
	944 521 037 82 AQJ	Light grey/light grey	91-		
	944 521 037 82 ATW	Cashmere beige/cash. beige	91-		
	944 521 037 82 BQJ	Marine blue/marine blue	91-		
(5)	964 521 037 05	Cover for cushion for electric adjustment with heating Leather/ Centre part in cloth Multicolour		2	
	964 521 037 05 XG6	Black/black	-90		
	964 521 037 05 XG7	Mahogany/mahogany	-90		
	964 521 037 05 XG8	Marine blue/marine blue	-90		
	964 521 037 05 XG9	Burgundy/burgundy	-90		
	964 521 037 05 XF7	Linen/linen	-90		
	964 521 037 05 XG5	Cashmere beige/cash. beige	-90		
	964 521 037 05 ATJ	Black/black	91-		
	964 521 037 05 AQT	Classic grey/classic grey	91-		
	964 521 037 05 AQU	Cobalt blue/cobalt blue	91-		
	964 521 037 05 ASJ	Magenta/Magenta	91-		
	964 521 037 05 AQJ	Light grey/light grey	91-		
	964 521 037 05 ATW	Cashmere beige/cash. beige	91-		
	964 521 037 05 BQJ	Marine blue/marine blue	91-		
5	944 521 037 78	Cover for cushion for manual adjustment Leather/ Centre part Porsche lettering cloth		2	
	944 521 037 78 QB2	Black/black	-90		
	944 521 037 78 TU3	Mahogany	-90		
	944 521 037 78 TR3	Marine blue	-90		
	944 521 037 78 QB8	Burgundy/burgundy	-90		
	944 521 037 78 XF6	Linen/linen	-90		
	944 521 037 78 XF9	Cashmere beige/cash. beige	-90		

Model: STZ Model life 1985>>1998

Pos	Part Number	Description	Remark	Qty	Model
	944 521 037 78 ATD	Black/black	91-		
	944 521 037 78 APG	Classic grey/classic grey	91-		
	944 521 037 78 ARG	Cobalt blue/cobalt blue	91-		
	944 521 037 78 ASG	Magenta/Magenta	91-		
	944 521 037 78 AQG	Light grey/light grey	91-		
	944 521 037 78 ATU	Cashmere beige/cash. beige	91-		
	944 521 037 78 BQL	Marine blue/marine blue	91-		
(5)	944 521 037 82	Cover for cushion for electric adjustment without heating Leather/ Centre part Porsche lettering cloth		2	
	944 521 037 82 QB2	Black/black	-90		
	944 521 037 82 TU3	Mahogany	-90		
	944 521 037 82 TR3	Marine blue	-90		
	944 521 037 82 QB8	Burgundy/burgundy	-90		
	944 521 037 82 XF6	Linen/linen	-90		
	944 521 037 82 XF9	Cashmere beige/cash. beige	-90		
	944 521 037 82 ATD	Black/black	91-		
	944 521 037 82 APG	Classic grey/classic grey	91-		
	944 521 037 82 ARG	Cobalt blue/cobalt blue	91-		
	944 521 037 82 ASG	Magenta/Magenta	91-		
	944 521 037 82 AQG	Light grey/light grey	91-		
	944 521 037 82 ATU	Cashmere beige/cash. beige	91-		
	944 521 037 82 BQL	Marine blue/marine blue	91-		
(5)	964 521 037 05	Cover for cushion for electric adjustment with heating Leather/ Centre part Porsche lettering cloth		2	
	964 521 037 05 QB2	Black/black	-90		
	964 521 037 05 TU3	Mahogany/mahogany	-90		
	964 521 037 05 TR3	Marine blue/blue	-90		
	964 521 037 05 QB8	Burgundy/burgundy	-90		
	964 521 037 05 XF6	Linen/linen	-90		
	964 521 037 05 XF9	Cashmere beige/cash. beige	-90		
	964 521 037 05 ATD	Black/black	91-		
	964 521 037 05 APG	Classic grey/classic grey	91-		
	964 521 037 05 ARG	Cobalt blue/cobalt blue	91-		
	964 521 037 05 ASG	Magenta/Magenta	91-		
	964 521 037 05 AQG	Light grey/light grey	91-		
	964 521 037 05 ATU	Cashmere beige/cash. beige	91-		
	964 521 037 05 BQL	Marine blue/blue	91-		
6	944 521 037 76	Cover for cushion for manual adjustment Leatherette/ Seat surface Leather		2	
	944 521 037 76 JN3	Black/black	-90		
	944 521 037 76 TV2	Mahogany	-90		
	944 521 037 76 TS2	Marine blue	-90		
	944 521 037 76 NZ8	Burgundy/burgundy	-90		
	944 521 037 76 TW2	Linen/linen	-90		
	944 521 037 76 XN3	Cashmere beige/cash. beige	-90		
	944 521 037 76 ATG	Black/black	91-		
	944 521 037 76 APK	Classic grey/classic grey	91-		
	944 521 037 76 ARK	Cobalt blue/cobalt blue	91-		
	944 521 037 76 ASK	Magenta/Magenta	91-		
	944 521 037 76 AQK	Light grey/light grey	91-		
	944 521 037 76 ATX	Cashmere beige/cash. beige	91-		
	944 521 037 76 BQA	Marine blue/marine blue	91-		

Model: STZ Model life 1985>>1998

Pos	Part Number	Description	Remark	Qty	Model
(6)	944 521 037 80	Cover for cushion for electric adjustment without heating Leatherette/ Seat surface Leather		2	
	944 521 037 80 JN3	Black/black	-90		
	944 521 037 80 TV2	Mahogany	-90		
	944 521 037 80 TS2	Marine blue/marine blue	-90		
	944 521 037 80 NZ8	Burgundy/burgundy	-90		
	944 521 037 80 TW2	Linen/linen	-90		
	944 521 037 80 XN3	Cashmere beige/cash. beige	-90		
	944 521 037 80 ATG	Black/black	91-		
	944 521 037 80 APK	Classic grey/classic grey	91-		
	944 521 037 80 ARK	Cobalt blue/cobalt blue	91-		
	944 521 037 80 ASK	Magenta/Magenta	91-		
	944 521 037 80 AQK	Light grey/light grey	91-		
	944 521 037 80 ATX	Cashmere beige/cash. beige	91-		
	944 521 037 80 BQA	Marine blue/marine blue	91-		
(6)	964 521 037 03	Cover for cushion for electric adjustment with heating Leatherette/ Seat surface Leather		2	
	964 521 037 03 JN3	Black/black	-90		
	964 521 037 03 TV2	Mahogany/mahogany	-90		
	964 521 037 03 TS2	Marine blue/blue	-90		
	964 521 037 03 NZ8	Burgundy/burgundy	-90		
	964 521 037 03 TW2	Linen	-90		
	964 521 037 03 XN3	Cashmere beige/cash. beige	-90		
	964 521 037 03 ATG	Black/black	91-		
	964 521 037 03 APK	Classic grey/classic grey	91-		
	964 521 037 03 ARK	Cobalt blue/cobalt blue	91-		
	964 521 037 03 ASK	Magenta/Magenta	91-		
	964 521 037 03 AQK	Light grey/light grey	91-		
	964 521 037 03 ATX	Cashmere beige/cash. beige	91-		
	964 521 037 03 BQA	Marine blue/marine blue	91-		
6	944 521 037 77	Cover for cushion for manual adjustment Whole-leather		2	
	944 521 037 77 KZ2	Black	-90		
	944 521 037 77 TV1	Mahogany	-90		
	944 521 037 77 TS1	Marine blue	-90		
	944 521 037 77 LG7	Burgundy	-90		
	944 521 037 77 XG3	Caramel	-90		
	944 521 037 77 TW1	Linen	-90		
	944 521 037 77 XG4	Venetian blue	-90		
	944 521 037 77 XN4	Cashmere beige	-90		
	944 521 037 77 XN5	Silk grey	-90		
	944 521 037 77 XN6	Velvet red	-90		
	944 521 037 77 XN7	Slate grey	-90		
	944 521 037 77 ATH	Black	91-		
	944 521 037 77 APL	Classic grey	91-		
	944 521 037 77 ARL	Cobalt blue	91-		
	944 521 037 77 ASL	Magenta	91-		
	944 521 037 77 AQL	Light grey	91-		
	944 521 037 77 ATY	Cashmere beige	91-		
	944 521 037 77 BQB	Marine blue	91-		
	944 521 037 77 AVF	Matador red	91-		
	944 521 037 77 AVG	Carrara grey	91-		
	944 521 037 77 AVH	Sherwood green	91-		
(6)	944 521 037 81	Cover for cushion		2	

Model: STZ Model life 1985>>1998

Pos	Part Number	Description	Remark	Qty	Model
		for electric adjustment without heating Whole-leather			
	944 521 037 81 KZ2	Black	-90		
	944 521 037 81 TV1	Mahogany	-90		
	944 521 037 81 TS1	Marine blue	-90		
	944 521 037 81 LG7	Burgundy	-90		
	944 521 037 81 XG3	Caramel	-90		
	944 521 037 81 TW1	Linen	-90		
	944 521 037 81 XG4	Venetian blue	-90		
	944 521 037 81 XN4	Cashmere beige	-90		
	944 521 037 81 XN5	Silk grey	-90		
	944 521 037 81 XN6	Velvet red	-90		
	944 521 037 81 XN7	Slate grey	-90		
	944 521 037 81 ATH	Black	91-		
	944 521 037 81 APL	Classic grey	91-		
	944 521 037 81 ARL	Cobalt blue	91-		
	944 521 037 81 ASL	Magenta	91-		
	944 521 037 81 AQL	Light grey	91-		
	944 521 037 81 ATY	Cashmere beige	91-		
	944 521 037 81 BQB	Marine blue	91-		
	944 521 037 81 AVF	Matador red	91-		
	944 521 037 81 AVG	Carrara grey	91-		
	944 521 037 81 AVH	Sherwood green	91-		
(6)	964 521 037 04	Cover for cushion for electric adjustment with heating Whole-leather		2	
	964 521 037 04 KZ2	Black	-90		
	964 521 037 04 TV1	Mahogany	-90		
	964 521 037 04 TS1	Marine blue	-90		
	964 521 037 04 LG7	Burgundy	-90		
	964 521 037 04 XG3	Caramel	-90		
	964 521 037 04 TW1	Linen	-90		
	964 521 037 04 XG4	Venetian blue	-90		
	964 521 037 04 XN4	Cashmere beige	-90		
	964 521 037 04 XN5	Silk grey	-90		
	964 521 037 04 XN6	Velvet red	-90		
	964 521 037 04 XN7	Slate grey	-90		
	964 521 037 04 ATH	Black	91-		
	964 521 037 04 APL	Classic grey	91-		
	964 521 037 04 ARL	Cobalt blue	91-		
	964 521 037 04 ASL	Magenta	91-		
	964 521 037 04 AQL	Light grey	91-		
	964 521 037 04 ATY	Cashmere beige	91-		
	964 521 037 04 BQB	Marine blue	91-		
	964 521 037 04 AVF	Matador red	91-		
	964 521 037 04 AVG	Carrara grey	91-		
	964 521 037 04 AVH	Sherwood green	91-		
6	944 521 037 20	Cover for cushion for manual adjustment Draped leather		2	
	944 521 037 20 KZ2	Black	-90		
	944 521 037 20 TV1	Mahogany	-90		
	944 521 037 20 TS1	Linen	-90		
	944 521 037 20 LG7	Burgundy	-90		
	944 521 037 20 XG3	Caramel	-90		
	944 521 037 20 TW1	Linen	-90		
	944 521 037 20 XG4	Venetian blue	-90		
	944 521 037 20 XN4	Cashmere beige	-90		
	944 521 037 20 XN5	Silk grey	-90		
	944 521 037 20 XN6	Velvet red	-90		
	944 521 037 20 XN7	Slate grey	-90		

Model: STZ Model life 1985>>1998

Pos	Part Number	Description	Remark	Qty	Model
	944 521 037 20 ATH	Black	91-		
	944 521 037 20 APL	Classic grey	91-		
	944 521 037 20 ARL	Cobalt blue	91-		
	944 521 037 20 ASL	Magenta	91-		
	944 521 037 20 AQL	Light grey	91-		
	944 521 037 20 ATY	Cashmere beige	91-		
	944 521 037 20 BQB	Marine blue	91-		
	944 521 037 20 AVF	Matador red	91-		
	944 521 037 20 AVG	Carrara grey	91-		
	944 521 037 20 AVH	Sherwood green	91-		
(6)	944 521 037 22	Cover for cushion for electric adjustment without heating Draped leather		2	
	944 521 037 22 KZ2	Black	-90		
	944 521 037 22 TV1	Mahogany	-90		
	944 521 037 22 TS1	Marine blue	-90		
	944 521 037 22 LG7	Burgundy	-90		
	944 521 037 22 XG3	Caramel	-90		
	944 521 037 22 TW1	Linen	-90		
	944 521 037 22 XG4	Venetian blue	-90		
	944 521 037 22 XN4	Cashmere beige	-90		
	944 521 037 22 XN5	Silk grey	-90		
	944 521 037 22 XN6	Velvet red	-90		
	944 521 037 22 XN7	Slate grey	-90		
	944 521 037 22 ATH	Black	91-		
	944 521 037 22 APL	Classic grey	91-		
	944 521 037 22 ARL	Cobalt blue	91-		
	944 521 037 22 ASL	Magenta	91-		
	944 521 037 22 AQL	Light grey	91-		
	944 521 037 22 ATY	Cashmere beige	91-		
	944 521 037 22 BQB	Marine blue	91-		
	944 521 037 22 AVF	Matador red	91-		
	944 521 037 22 AVG	Carrara grey	91-		
	944 521 037 22 AVH	Sherwood green	91-		
(6)	964 521 037 06	Cover for cushion for electric adjustment with heating Draped leather		2	
	964 521 037 06 KZ2	Black	-90		
	964 521 037 06 TV1	Mahogany	-90		
	964 521 037 06 TS1	Marine blue	-90		
	964 521 037 06 LG7	Burgundy	-90		
	964 521 037 06 XG3	Caramel	-90		
	964 521 037 06 TW1	Linen	-90		
	964 521 037 06 XG4	Venetian blue	-90		
	964 521 037 06 XN4	Cashmere beige	-90		
	964 521 037 06 XN5	Silk grey	-90		
	964 521 037 06 XN6	Velvet red	-90		
	964 521 037 06 XN7	Slate grey	-90		
	964 521 037 06 ATH	Black	91-		
	964 521 037 06 APL	Classic grey	91-		
	964 521 037 06 ARL	Cobalt blue	91-		
	964 521 037 06 ASL	Magenta	91-		
	964 521 037 06 AQL	Light grey	91-		
	964 521 037 06 ATY	Cashmere beige	91-		
	964 521 037 06 BQB	Marine blue	91-		
	964 521 037 06 AVF	Matador red	91-		
	964 521 037 06 AVG	Carrara grey	91-		
	964 521 037 06 AVH	Sherwood green	91-		
6	964 521 037 04	Cover for cushion with heating Whole-leather	92	2	TURBO-LOOK

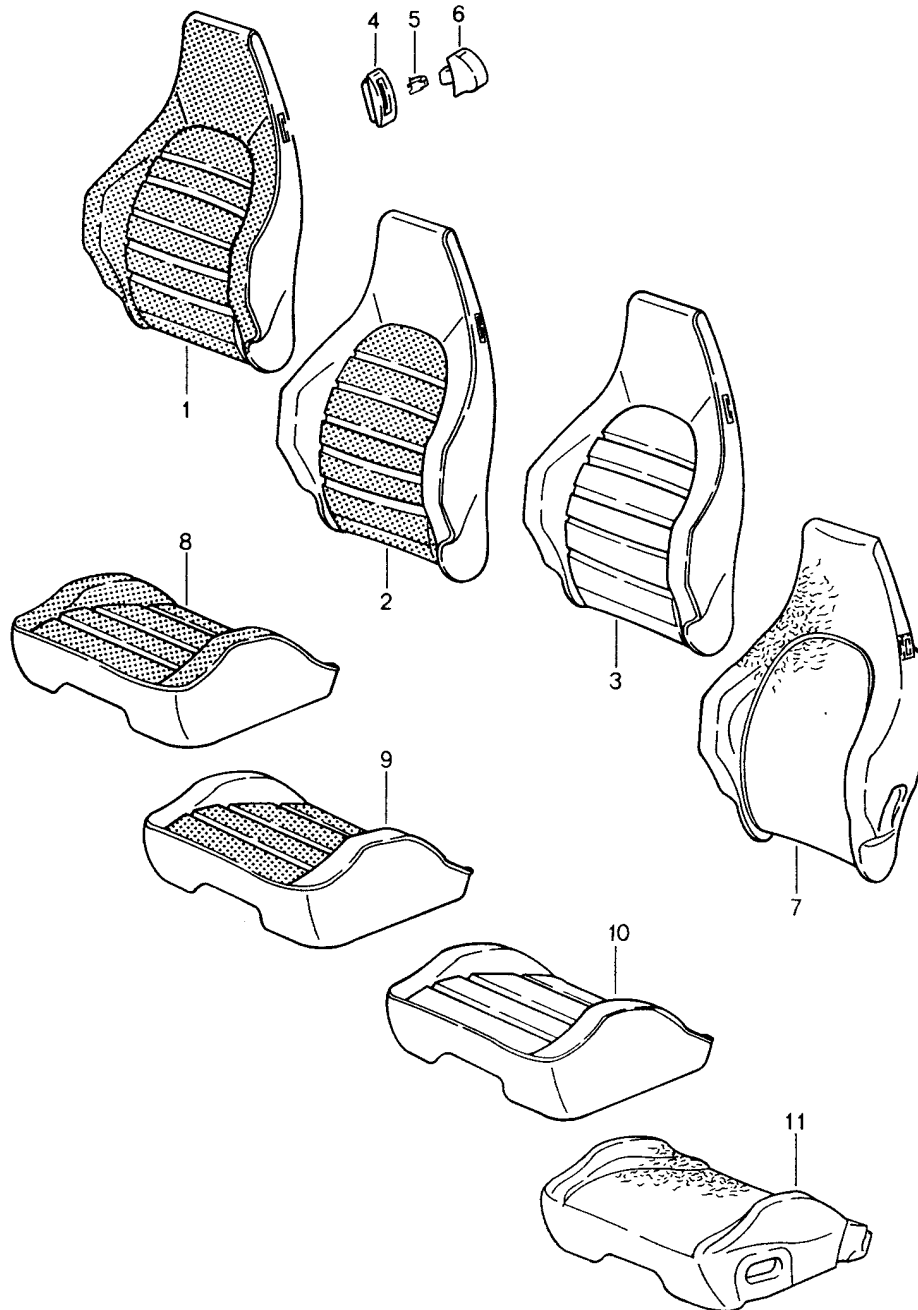
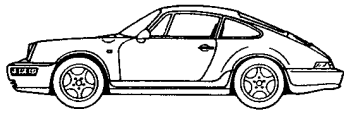
Model: STZ Model life 1985>>1998

Pos	Part Number	Description	Remark	Qty	Model
	964 521 037 04 BQZ	Rhodamine			
	964 521 037 04 BQY	Wimbledon green			
	964 521 037 04 BQX	Florentine grey			
-	000 043 071 00	Clamp		X	
		Mount			
		Cover			
		Bag			
		Content			
		50			
		Pieces			
7	928 521 385 22	Foam part		2	
		Seat cushion			
		for manual adjustment			
(7)	928 521 385 23	Foam part	/L	1	
		Seat cushion			
		for electric adjustment			
(7)	928 521 386 23	Foam part	/R	1	
		Seat cushion			
		for electric adjustment			
(7)	928 521 385 24	Foam part	/L	1	
		Seat cushion			
		with seat heating			
		for electric adjustment			
(7)	928 521 386 24	Foam part	/R	1	
		Seat cushion			
		with seat heating			
		for electric adjustment			
8	928 521 393 13	Foam part		2	
		Backrest frame			
		for manual adjustment			
(8)	993 521 393 06	Foam part		2	
		Backrest frame			
		for electric adjustment			
		See technical information			
		6 ZYL. GR.7D NR.1/94			
(8)		Foam part		2	
		Backrest frame			
		for electric adjustment			
		See technical information			
		6 ZYL. GR.7D NR.1/94			
(8)	928 521 393 19	Foam part		2	
		Backrest frame			
		Lumbar support adjustment			
		with seat heating			
		for electric adjustment			
9	911 521 815 00	Rosette		4	
	911 521 815 00 01C	Satin black			
10	311 881 247	Clip		4	
11	911 521 817 00	Control button		4	
	911 521 817 00 01C	Satin black			



Model: STZ

Model life 1985>>1998



Model: STZ Model life 1985>>1998

Pos	Part Number	Description	Remark	Qty	Model
		Cover Sports seat	89-94		CARRERA 2/4 TURBO RS AMERICA
1	944 521 071 05	Backrest cover without heating Leatherette/ Backrest surface Pin stripe velour		2	
	944 521 071 05 NY5	Black/ Black-white	-90		
	944 521 071 05 TU7	Mahogany/ Mahogany-white	-90		
	944 521 071 05 TR7	Blue/ Blue-white	-90		
	944 521 071 05 NY8	Burgundy Burgundy-white	-90		
	944 521 071 05 XK2	Linen/ Linen white	-90		
	944 521 071 05 XK5	Cashmere beige/ Cashmere beige-white	-90		
(1)	964 521 071 08	Backrest cover with heating Leatherette/ Backrest surface Pin stripe velour		2	
	964 521 071 08 NY5	Black/ Black-white	-90		
	964 521 071 08 TU7	Mahogany/ Mahogany-white	-90		
	964 521 071 08 TR7	Blue/ Blue-white	-90		
	964 521 071 08 NY8	Burgundy/ Burgundy-white	-90		
	964 521 071 08 XK2	Linen/ Linen white	-90		
	964 521 071 08 XK5	Cashmere beige/ Cashmere beige-white	-90		
1	944 521 071 05	Backrest cover without heating Leatherette/ Backrest surface Multicolour		2	
	944 521 071 05 XK8	Black/black			
	944 521 071 05 XK9	Mahogany/mahogany	-90		
	944 521 071 05 XN1	Marine blue/blue			
	944 521 071 05 XN2	Burgundy/burgundy	-90		
	944 521 071 05 XK4	Linen/linen	-90		
	944 521 071 05 XK7	Cashmere beige/cash. beige			
	944 521 071 05 AQP	Classic grey/classic grey	91-		
	944 521 071 05 AQP	Cobalt blue/cobalt blue	91-		
	944 521 071 05 ASN	Magenta/Magenta	91-		
	944 521 071 05 AQN	Light grey/light grey	91-		
(1)	964 521 071 08	Backrest cover with heating Leatherette/ Backrest surface Multicolour		2	
	964 521 071 08 XK8	Black/black			
	964 521 071 08 XK9	Mahogany/mahogany	-90		
	964 521 071 08 XN1	Marine blue/blue			
	964 521 071 08 XN2	Burgundy/burgundy	-90		
	964 521 071 08 XK4	Linen/linen	-90		
	964 521 071 08 XK7	Cashmere beige/cash. beige			

Model: STZ Model life 1985>>1998

Pos	Part Number	Description	Remark	Qty	Model	
1	964 521 071 08 AQP	Classic grey/classic grey	91-	2		
	964 521 071 08 AQV	Cobalt blue/cobalt blue	91-			
	964 521 071 08 ASN	Magenta/Magenta	91-			
	964 521 071 08 AQN	Light grey/light grey	91-			
	944 521 071 05	Backrest cover without heating Leatherette/ Backrest surface Porsche lettering cloth				
	944 521 071 05 PX2	Black/black				
	944 521 071 05 TU9	Mahogany	-90			
	944 521 071 05 TR9	Marine blue				
	944 521 071 05 PX6	Burgundy/burgundy	-90			
	944 521 071 05 XK3	Linen/linen	-90			
	944 521 071 05 XK6	Cashmere beige/cash. beige				
	944 521 071 05 APM	Classic grey/classic grey	91-			
	944 521 071 05 ARM	Cobalt blue/cobalt blue	91-			
	944 521 071 05 ASM	Magenta/Magenta	91-			
(1) 944 521 071 05 AQM	Light grey/light grey	91-				
1	964 521 071 08	Backrest cover with heating Leatherette/ Backrest surface Porsche lettering cloth		2	RS AMERICA	
	964 521 071 08 PX2	Black/black				
	964 521 071 08 TU9	Mahogany/mahogany	-90			
	964 521 071 08 TR9	Marine blue/blue				
	964 521 071 08 PX6	Burgundy/burgundy	-90			
	964 521 071 08 XK3	Linen/linen	-90			
	964 521 071 08 XK6	Cashmere beige/cash. beige				
	964 521 071 08 APM	Classic grey/classic grey	91-			
	964 521 071 08 ARM	Cobalt blue/cobalt blue	91-			
	964 521 071 08 ASM	Magenta/Magenta	91-			
	964 521 071 08 AQM	Light grey/light grey	91-			
	944 521 071 05	Backrest cover without heating Leatherette/ Backrest surface Corduroy cloth				
	944 521 071 05 CJE	Black/black				
	2 944 521 071 60	Backrest cover without heating Leatherette/leather Centre part in cloth Pin stripe velour				2
944 521 071 60 PY1	Black/black Black-white	-90				
944 521 071 60 TU4	Mahogany/mahogany Mahogany-white	-90				
944 521 071 60 TR4	Marine blue/marine blue Blue-white	-90				
944 521 071 60 PY4	Burgundy/burgundy Burgundy-white	-90				
944 521 071 60 XH2	Linen/linen Linen white	-90				
944 521 071 60 XH7	Cashmere beige/cash. beige Cashmere beige-white	-90				
(2) 964 521 071 09	Backrest cover with heating Leatherette/leather Centre part in cloth Pin stripe velour		2			
964 521 071 09 PY1	Black/black	-90				

Model: STZ Model life 1985>>1998

Pos	Part Number	Description	Remark	Qty	Model
	964 521 071 09 TU4	Black-white Mahogany/mahogany	-90		
	964 521 071 09 TR4	Mahogany-white Blue/ Blue-white	-90		
	964 521 071 09 PY4	Burgundy/burgundy Burgundy-white	-90		
	964 521 071 09 XH2	Linen/linen Linen white	-90		
	964 521 071 09 XH7	Cashmere beige/cash. beige Cashmere beige-white	-90		
2	944 521 071 60	Backrest cover without heating Leatherette/leather Centre part in cloth Multicolour		2	
	944 521 071 60 XJ2	Black/black Black	-90		
	944 521 071 60 XJ3	Mahogany/mahogany Mahogany	-90		
	944 521 071 60 XJ5	Marine blue/blue Marine blue	-90		
	944 521 071 60 XJ7	Burgundy/burgundy Burgundy	-90		
	944 521 071 60 XH6	Linen/linen Linen	-90		
	944 521 071 60 XH9	Cashmere beige/cash. beige Cashmere beige	-90		
	944 521 071 60 ATF	Black/black Black	91-		
	944 521 071 60 APF	Classic grey/classic grey Classic grey	91-		
	944 521 071 60 ARF	Cobalt blue/cobalt blue Cobalt blue	91-		
	944 521 071 60 ASF	Magenta/Magenta Magenta	91-		
	944 521 071 60 AQF	Light grey/light grey Light grey	91-		
	944 521 071 60 ATL	Cashmere beige/cash. beige Cashmere beige	91-		
	944 521 071 60 BQK	Marine blue/marine blue Marine blue	91-		
(2)	964 521 071 09	Backrest cover with heating Leatherette/leather Centre part in cloth Multicolour		2	
	964 521 071 09 XJ2	Black/black Black	-90		
	964 521 071 09 XJ3	Mahogany/mahogany Mahogany	-90		
	964 521 071 09 XJ5	Marine blue/blue Marine blue	-90		
	964 521 071 09 XJ7	Burgundy/burgundy Burgundy	-90		
	964 521 071 09 XH6	Linen/linen Linen	-90		
	964 521 071 09 XH9	Cashmere beige/cash. beige Cashmere beige	-90		
	964 521 071 09 ATF	Black/black Black	91-		
	964 521 071 09 APF	Classic grey/classic grey Classic grey	91-		

Model: STZ Model life 1985>>1998

Pos	Part Number	Description	Remark	Qty	Model
	964 521 071 09 ARF	Cobalt blue/cobalt blue Cobalt blue	91-		
	964 521 071 09 ASF	Magenta/Magenta Magenta	91-		
	964 521 071 09 AQF	Light grey/light grey Light grey	91-		
	964 521 071 09 ATL	Cashmere beige/cash. beige Cashmere beige	91-		
	964 521 071 09 BQK	Marine blue/marine blue Marine blue	91-		
2	944 521 071 60	Backrest cover without heating Leatherette/leather Centre part Porsche lettering cloth		2	
	944 521 071 60 PZ7	Black/black Black	-90		
	944 521 071 60 TU6	Mahogany Mahogany	-90		
	944 521 071 60 TR6	Marine blue/marine blue Blue	-90		
	944 521 071 60 QA1	Burgundy/burgundy Burgundy	-90		
	944 521 071 60 XH4	Linen/linen Linen	-90		
	944 521 071 60 XH8	Cashmere beige/cash. beige Cashmere beige	-90		
	944 521 071 60 ATA	Black/black Black	91-		
	944 521 071 60 APD	Classic grey/classic grey Classic grey	91-		
	944 521 071 60 ARD	Cobalt blue/cobalt blue Cobalt blue	91-		
	944 521 071 60 ASD	Magenta/Magenta Magenta	91-		
	944 521 071 60 AQD	Light grey/light grey Light grey	91-		
	944 521 071 60 ATR	Cashmere beige/cash. beige Cashmere beige	91-		
	944 521 071 60 BQM	Marine blue/marine blue Blue	91-		
(2)	964 521 071 09	Backrest cover with heating Leatherette/leather Centre part Porsche lettering cloth		2	
	964 521 071 09 PZ7	Black/black Black	-90		
	964 521 071 09 TU6	Mahogany/mahogany Mahogany	-90		
	964 521 071 09 TR6	Marine blue/blue Blue	-90		
	964 521 071 09 QA1	Burgundy/burgundy Burgundy	-90		
	964 521 071 09 XH4	Linen/linen Linen	-90		
	964 521 071 09 XH8	Cashmere beige/cash. beige Cashmere beige	-90		
	964 521 071 09 ATA	Black/black Black	91-		
	964 521 071 09 APD	Classic grey/classic grey Classic grey	91-		
	964 521 071 09 ARD	Cobalt blue/cobalt blue	91-		

Model: STZ Model life 1985>>1998

Pos	Part Number	Description	Remark	Qty	Model
	964 521 071 09 ASD	Cobalt blue Magenta/Magenta	91-		
	964 521 071 09 AQD	Magenta Light grey/light grey	91-		
	964 521 071 09 ATR	Light grey Cashmere beige/cash. beige	91-		
	964 521 071 09 BQM	Cashmere beige Marine blue/marine blue	91-		
2	944 521 071 63	Blue Backrest cover without heating Leather/ Centre part in cloth Pin stripe velour		2	
	944 521 071 63 LS5	Black/ Black-white	-90		
	944 521 071 63 TU1	Mahogany/ Mahogany-white	-90		
	944 521 071 63 TR1	Blue/ Blue-white	-90		
	944 521 071 63 LS9	Burgundy/ Burgundy-white	-90		
	944 521 071 63 XF5	Linen/ Linen white	-90		
	944 521 071 63 XF8	Cashmere beige/ Cashmere beige-white	-90		
(2)	964 521 071 12	Backrest cover with heating Leather/ Centre part in cloth Pin stripe velour		2	
	964 521 071 12 LS5	Black/ Black-white	-90		
	964 521 071 12 TU1	Mahogany/ Mahogany-white	-90		
	964 521 071 12 TR1	Blue/ Blue-white	-90		
	964 521 071 12 LS9	Burgundy/ Burgundy-white	-90		
	964 521 071 12 XF5	Linen/ Linen white	-90		
	964 521 071 12 XF8	Cashmere beige/ Cashmere beige-white	-90		
2	944 521 071 63	Backrest cover without heating Leather/ Centre part in cloth Multicolour		2	
	944 521 071 63 XG6	Black/black	-90		
	944 521 071 63 XG7	Mahogany/mahogany	-90		
	944 521 071 63 XG8	Marine blue/blue	-90		
	944 521 071 63 XG9	Burgundy/burgundy	-90		
	944 521 071 63 XF7	Linen/linen	-90		
	944 521 071 63 XG5	Cashmere beige/cash. beige	-90		
	944 521 071 63 ATJ	Black/black	91-		
	944 521 071 63 AQT	Classic grey/classic grey	91-		
	944 521 071 63 AQU	Cobalt blue/cobalt blue	91-		
	944 521 071 63 ASJ	Magenta/Magenta	91-		
	944 521 071 63 AQJ	Light grey/light grey	91-		
	944 521 071 63 ATW	Cashmere beige/cash. beige	91-		
	944 521 071 63 BQJ	Marine blue/marine blue	91-		
(2)	964 521 071 12	Backrest cover with heating		2	

Model: STZ Model life 1985>>1998

Pos	Part Number	Description	Remark	Qty	Model
		Leather/ Centre part in cloth Multicolour			
	964 521 071 12 XG6	Black/black	-90		
	964 521 071 12 XG7	Mahogany/mahogany	-90		
	964 521 071 12 XG8	Marine blue/blue	-90		
	964 521 071 12 XG9	Burgundy/burgundy	-90		
	964 521 071 12 XF7	Linen/linen	-90		
	964 521 071 12 XG5	Cashmere beige/cash. beige	-90		
	964 521 071 12 ATJ	Black/black	91-		
	964 521 071 12 AQT	Classic grey/classic grey	91-		
	964 521 071 12 AQU	Cobalt blue/cobalt blue	91-		
	964 521 071 12 ASJ	Magenta/Magenta	91-		
	964 521 071 12 AQJ	Light grey/light grey	91-		
	964 521 071 12 ATW	Cashmere beige/cash. beige	91-		
	964 521 071 12 BQJ	Marine blue/marine blue	91-		
2	944 521 071 63	Backrest cover without heating Leather/ Centre part Porsche lettering cloth		2	
	944 521 071 63 QB2	Black/black	-90		
	944 521 071 63 TU3	Mahogany	-90		
	944 521 071 63 TR3	Marine blue	-90		
	944 521 071 63 QB8	Burgundy/burgundy	-90		
	944 521 071 63 XF6	Linen/linen	-90		
	944 521 071 63 XF9	Cashmere beige/cash. beige	-90		
	944 521 071 63 ATD	Black/black	91-		
	944 521 071 63 APG	Classic grey/classic grey	91-		
	944 521 071 63 ARG	Cobalt blue/cobalt blue	91-		
	944 521 071 63 ASG	Magenta/Magenta	91-		
	944 521 071 63 AQG	Light grey/light grey	91-		
	944 521 071 63 ATU	Cashmere beige/cash. beige	91-		
	944 521 071 63 BQL	Marine blue/marine blue	91-		
(2)	964 521 071 12	Backrest cover with heating Leather/ Centre part Porsche lettering cloth		2	
	964 521 071 12 QB2	Black/black	-90		
	964 521 071 12 TU3	Mahogany/mahogany	-90		
	964 521 071 12 TR3	Marine blue/blue	-90		
	964 521 071 12 QB8	Burgundy/burgundy	-90		
	964 521 071 12 XF6	Linen/linen	-90		
	964 521 071 12 XF9	Cashmere beige/cash. beige	-90		
	964 521 071 12 ATD	Black/black	91-		
	964 521 071 12 APG	Classic grey/classic grey	91-		
	964 521 071 12 ARG	Cobalt blue/cobalt blue	91-		
	964 521 071 12 ASG	Magenta/Magenta	91-		
	964 521 071 12 AQG	Light grey/light grey	91-		
	964 521 071 12 ATU	Cashmere beige/cash. beige	91-		
	964 521 071 12 BQL	Marine blue/marine blue	91-		
3	944 521 071 61	Backrest cover without heating Leatherette/ Backrest surface Leather		2	
	944 521 071 61 JN3	Black	-90		
	944 521 071 61 TV2	Mahogany	-90		
	944 521 071 61 TS2	Marine blue	-90		
	944 521 071 61 NZ8	Burgundy	-90		
	944 521 071 61 TW2	Linen	-90		
	944 521 071 61 XN3	Cashmere beige	-90		

Model: STZ Model life 1985>>1998

Pos	Part Number	Description	Remark	Qty	Model
	944 521 071 61 ATG	Black/black	91-		
	944 521 071 61 APK	Classic grey/classic grey	91-		
	944 521 071 61 ARK	Cobalt blue/cobalt blue	91-		
	944 521 071 61 ASK	Magenta/Magenta	91-		
	944 521 071 61 AOK	Light grey/light grey	91-		
	944 521 071 61 ATX	Cashmere beige/cash. beige	91-		
	944 521 071 61 BQA	Marine blue/marine blue	91-		
(3)	964 521 071 10	Backrest cover with heating Leatherette/ Backrest surface Leather		2	
	964 521 071 10 JN3	Black	-90		
	964 521 071 10 TV2	Mahogany	-90		
	964 521 071 10 TS2	Marine blue	-90		
	964 521 071 10 NZ8	Burgundy	-90		
	964 521 071 10 TW2	Linen	-90		
	964 521 071 10 XN3	Cashmere beige	-90		
	964 521 071 10 ATG	Black/black	91-		
	964 521 071 10 APK	Classic grey/classic grey	91-		
	964 521 071 10 ARK	Cobalt blue/cobalt blue	91-		
	964 521 071 10 ASK	Magenta/Magenta	91-		
	964 521 071 10 AOK	Light grey/light grey	91-		
	964 521 071 10 ATX	Cashmere beige/cash. beige	91-		
	964 521 071 10 BQA	Marine blue/marine blue	91-		
3	944 521 071 62	Backrest cover without heating Whole-leather		2	
	944 521 071 62 KZ2	Black	-90		
	944 521 071 62 TV1	Mahogany	-90		
	944 521 071 62 TS1	Marine blue	-90		
	944 521 071 62 LG7	Burgundy	-90		
	944 521 071 62 XG3	Caramel	-90		
	944 521 071 62 TW1	Linen	-90		
	944 521 071 62 XG4	Venetian blue	-90		
	944 521 071 62 XN4	Cashmere beige	-90		
	944 521 071 62 XN5	Silk grey	-90		
	944 521 071 62 XN6	Velvet red	-90		
	944 521 071 62 XN7	Slate grey	-90		
	944 521 071 62 ATH	Black	91-		
	944 521 071 62 APL	Classic grey	91-		
	944 521 071 62 ARL	Cobalt blue	91-		
	944 521 071 62 ASL	Magenta	91-		
	944 521 071 62 AQL	Light grey	91-		
	944 521 071 62 ATY	Cashmere beige	91-		
	944 521 071 62 BQB	Marine blue	91-		
	944 521 071 62 AVF	Matador red	91-		
	944 521 071 62 AVG	Carrara grey	91-		
	944 521 071 62 AVH	Sherwood green	91-		
(3)	964 521 071 11	Backrest cover with heating Whole-leather		2	
	964 521 071 11 KZ2	Black	-90		
	964 521 071 11 TV1	Mahogany	-90		
	964 521 071 11 TS1	Marine blue	-90		
	964 521 071 11 LG7	Burgundy	-90		
	964 521 071 11 XG3	Caramel	-90		
	964 521 071 11 TW1	Linen	-90		
	964 521 071 11 XG4	Venetian blue	-90		
	964 521 071 11 XN4	Cashmere beige	-90		
	964 521 071 11 XN5	Silk grey	-90		
	964 521 071 11 XN6	Velvet red	-90		
	964 521 071 11 XN7	Slate grey	-90		



Model: STZ Model life 1985>>1998

Pos	Part Number	Description	Remark	Qty	Model
	964 521 071 11 ATH	Black	91-		
	964 521 071 11 APL	Classic grey	91-		
	964 521 071 11 ARL	Cobalt blue	91-		
	964 521 071 11 ASL	Magenta	91-		
	964 521 071 11 AQL	Light grey	91-		
	964 521 071 11 ATY	Cashmere beige	91-		
	964 521 071 11 BQB	Marine blue	91-		
	964 521 071 11 AVF	Matador red	91-		
	964 521 071 11 AVG	Carrara grey	91-		
	964 521 071 11 AVH	Sherwood green	91-		
4	911 521 815 00	Rosette		4	
	911 521 815 00 01C	Satin black			
5	311 881 247	Clip		4	
6	911 521 817 00	Control button		4	
	911 521 817 00 01C	Satin black			
7	928 521 393 15	Foam part		2	
		Backrest frame			
8	944 521 037 16	Cover for cushion without heating		2	
		Leatherette/ Seat surface			
		Pin stripe velour			
	944 521 037 16 NY5	Black/ Black-white	-90		
	944 521 037 16 TU7	Mahogany/ Mahogany-white	-90		
	944 521 037 16 TR7	Blue/ Blue-white	-90		
	944 521 037 16 NY8	Burgundy Burgundy-white	-90		
	944 521 037 16 XK2	Linen/ Linen white	-90		
	944 521 037 16 XK5	Cashmere beige/ Cashmere beige-white	-90		
(8)	964 521 037 08	Cover for cushion with heating		2	
		Leatherette/ Seat surface			
		Pin stripe velour			
	964 521 037 08 NY5	Black/ Black-white	-90		
	964 521 037 08 TU7	Mahogany/ Mahogany-white	-90		
	964 521 037 08 TR7	Blue/ Blue-white	-90		
	964 521 037 08 NY8	Burgundy/ Burgundy-white	-90		
	964 521 037 08 XK2	Linen/ Linen white	-90		
	964 521 037 08 XK5	Cashmere beige/ Cashmere beige-white	-90		
8	944 521 037 16	Cover for cushion without heating		2	
		Leatherette/ Seat surface			
		Multicolour			
	944 521 037 16 XK8	Black/black			
	944 521 037 16 XK9	Mahogany/mahogany	-90		
	944 521 037 16 XN1	Marine blue/blue			
	944 521 037 16 XN2	Burgundy/burgundy	-90		
	944 521 037 16 XK4	Linen/linen	-90		
	944 521 037 16 XK7	Cashmere beige/cash. beige			
	944 521 037 16 AQP	Classic grey/classic grey	91-		

Model: STZ Model life 1985>>1998

Pos	Part Number	Description	Remark	Qty	Model
(8)	944 521 037 16 AOV	Cobalt blue/cobalt blue	91-	2	
	944 521 037 16 ASN	Magenta/Magenta	91-		
	944 521 037 16 AQN	Light grey/light grey	91-		
	964 521 037 08	Cover for cushion with heating Leatherette/ Seat surface Multicolour			
	964 521 037 08 XK8	Black/black			
	964 521 037 08 XK9	Mahogany/mahogany	-90		
	964 521 037 08 XN1	Marine blue/marine blue			
	964 521 037 08 XN2	Burgundy/burgundy	-90		
	964 521 037 08 XK4	Linen/linen	-90		
	964 521 037 08 XK7	Cashmere beige/cash. beige			
8	964 521 037 08 AQP	Classic grey/classic grey	91-	2	
	964 521 037 08 AOV	Cobalt blue/cobalt blue	91-		
	964 521 037 08 ASN	Magenta/Magenta	91-		
	964 521 037 08 AQN	Light grey/light grey	91-		
	944 521 037 16	Cover for cushion without heating Leatherette/ Seat surface Porsche lettering cloth			
	944 521 037 16 PX2	Black/black			
	944 521 037 16 TU9	Mahogany	-90		
	944 521 037 16 TR9	Marine blue			
	944 521 037 16 PX6	Burgundy/burgundy	-90		
	944 521 037 16 XK3	Linen/linen	-90		
(8)	944 521 037 16 XK6	Cashmere beige/cash. beige		2	
	944 521 037 16 APM	Classic grey/classic grey	91-		
	944 521 037 16 ARM	Cobalt blue/cobalt blue	91-		
	944 521 037 16 ASM	Magenta/Magenta	91-		
	944 521 037 16 AQM	Light grey/light grey	91-		
	964 521 037 08	Cover for cushion with heating Leatherette/ Seat surface Porsche lettering cloth			
	964 521 037 08 PX2	Black/black			
	964 521 037 08 TU9	Mahogany/mahogany	-90		
	964 521 037 08 TR9	Marine blue/blue			
	964 521 037 08 PX6	Burgundy/burgundy	-90		
8	964 521 037 08 XK3	Linen/linen	-90	2	RS AMERICA
	964 521 037 08 XK6	Cashmere beige/cash. beige			
	964 521 037 08 APM	Classic grey/classic grey	91-		
	964 521 037 08 ARM	Cobalt blue/cobalt blue	91-		
	964 521 037 08 ASM	Magenta/Magenta	91-		
	964 521 037 08 AQM	Light grey/light grey	91-		
	944 521 037 16	Cover for cushion without heating Leatherette/ Seat surface Corduroy cloth			
	944 521 037 16 CJE	Black/black			
	944 521 037 83	Cover for cushion without heating Leatherette/leather Centre part in cloth Pin stripe velour			
	944 521 037 83 PY1	Black/black Black-white	-90		
9	944 521 037 83 TU4	Mahogany/mahogany Mahogany-white	-90	2	

Model: STZ Model life 1985>>1998

Pos	Part Number	Description	Remark	Qty	Model
	944 521 037 83 TR4	Marine blue/marine blue Blue-white	-90		
	944 521 037 83 PY4	Burgundy/burgundy Burgundy-white	-90		
	944 521 037 83 XH2	Linen/linen Linen white	-90		
(9)	944 521 037 83 XH7	Cashmere beige/cash. beige	-90		
	964 521 037 09	Cover for cushion with heating Leatherette/leather Centre part in cloth Pin stripe velour		2	
	964 521 037 09 PY1	Black/black Black-white	-90		
	964 521 037 09 TU4	Mahogany/mahogany Mahogany-white	-90		
	964 521 037 09 TR4	Marine blue/marine blue Blue-white	-90		
	964 521 037 09 PY4	Burgundy/burgundy Burgundy-white	-90		
	964 521 037 09 XH2	Linen/linen Linen white	-90		
9	964 521 037 09 XH7	Cashmere beige/cash. beige	-90		
	944 521 037 83	Cover for cushion without heating Leatherette/leather Centre part in cloth Multicolour		2	
	944 521 037 83 XJ2	Black/black Black	-90		
	944 521 037 83 XJ3	Mahogany/mahogany Mahogany	-90		
	944 521 037 83 XJ5	Marine blue/marine blue Marine blue	-90		
	944 521 037 83 XJ7	Burgundy/burgundy Burgundy	-90		
	944 521 037 83 XH6	Linen/linen Linen	-90		
	944 521 037 83 XH9	Cashmere beige/cash. beige Cashmere beige	-90		
	944 521 037 83 ATF	Black/black Black	91-		
	944 521 037 83 APF	Classic grey/classic grey Classic grey	91-		
	944 521 037 83 ARF	Cobalt blue/cobalt blue Cobalt blue	91-		
	944 521 037 83 ASF	Magenta/Magenta Magenta	91-		
	944 521 037 83 AQF	Light grey/light grey Light grey	91-		
	944 521 037 83 ATL	Cashmere beige/cash. beige Cashmere beige	91-		
	944 521 037 83 BQK	Marine blue/marine blue Marine blue	91-		
(9)	964 521 037 09	Cover for cushion with heating Leatherette/leather Centre part in cloth Multicolour		2	
	964 521 037 09 XJ2	Black/black Black	-90		
	964 521 037 09 XJ3	Mahogany/mahogany Mahogany	-90		

Model: STZ Model life 1985>>1998

Pos	Part Number	Description	Remark	Qty	Model
	964 521 037 09 XJ5	Marine blue/marine blue Marine blue	-90		
	964 521 037 09 XJ7	Burgundy/burgundy Burgundy	-90		
	964 521 037 09 XH6	Linen/linen Linen	-90		
	964 521 037 09 XH9	Cashmere beige/cash. beige Cashmere beige	-90		
	964 521 037 09 ATF	Black/black Black	91-		
	964 521 037 09 APF	Classic grey/classic grey Classic grey	91-		
	964 521 037 09 ARF	Cobalt blue/cobalt blue Cobalt blue	91-		
	964 521 037 09 ASF	Magenta/Magenta Magenta	91-		
	964 521 037 09 AQF	Light grey/light grey Light grey	91-		
	964 521 037 09 ATL	Cashmere beige/cash. beige Cashmere beige	91-		
	964 521 037 09 BQK	Marine blue/marine blue Marine blue	91-		
9	944 521 037 83	Cover for cushion without heating Leatherette/leather Centre part in cloth Porsche lettering cloth		2	
	944 521 037 83 PZ7	Black/black Black	-90		
	944 521 037 83 TU6	Mahogany/mahogany Mahogany	-90		
	944 521 037 83 TR6	Marine blue/marine blue Blue	-90		
	944 521 037 83 QA1	Burgundy/burgundy Burgundy	-90		
	944 521 037 83 XH4	Linen/linen Linen	-90		
	944 521 037 83 XH8	Cashmere beige/cash. beige Cashmere beige	-90		
	944 521 037 83 ATA	Black/black Black	91-		
	944 521 037 83 APD	Classic grey/classic grey Classic grey	91-		
	944 521 037 83 ARD	Cobalt blue/cobalt blue Cobalt blue	91-		
	944 521 037 83 ASD	Magenta/Magenta Magenta	91-		
	944 521 037 83 AQD	Light grey/light grey Light grey	91-		
	944 521 037 83 ATR	Cashmere beige/cash. beige Cashmere beige	91-		
	944 521 037 83 BQM	Marine blue/marine blue Blue	91-		
(9)	964 521 037 09	Cover for cushion with heating Leatherette/leather Centre part in cloth Porsche lettering cloth		2	
	964 521 037 09 PZ7	Black/black Black	-90		
	964 521 037 09 TU6	Mahogany/mahogany Mahogany	-90		
	964 521 037 09 TR6	Marine blue/marine blue	-90		

Model: STZ Model life 1985>>1998

Pos	Part Number	Description	Remark	Qty	Model
	964 521 037 09 QA1	Blue Burgundy/burgundy	-90		
	964 521 037 09 XH4	Burgundy Linen/linen	-90		
	964 521 037 09 XH8	Linen Cashmere beige/cash. beige	-90		
	964 521 037 09 ATA	Cashmere beige Black/black	91-		
	964 521 037 09 APD	Black Classic grey/classic grey	91-		
	964 521 037 09 ARD	Classic grey Cobalt blue/cobalt blue	91-		
	964 521 037 09 ASD	Cobalt blue Magenta/Magenta	91-		
	964 521 037 09 AQD	Magenta Light grey/light grey	91-		
	964 521 037 09 ATR	Light grey Cashmere beige/cash. beige	91-		
	964 521 037 09 BQM	Cashmere beige Marine blue/marine blue	91-		
9	944 521 037 86	Blue Cover for cushion without heating		2	
		Leather/ Centre part in cloth Pin stripe velour			
	944 521 037 86 LS5	Black/ Black-white	-90		
	944 521 037 86 TU1	Mahogany/ Mahogany-white	-90		
	944 521 037 86 TR1	Blue/ Blue-white	-90		
	944 521 037 86 LS9	Burgundy/ Burgundy-white	-90		
	944 521 037 86 XF5	Linen/ Linen white	-90		
	944 521 037 86 XF8	Cashmere beige/ Cashmere beige-white	-90		
(9)	964 521 037 12	Cover for cushion with heating		2	
		Leather/ Centre part in cloth Pin stripe velour			
	964 521 037 12 LS5	Black/ Black-white	-90		
	964 521 037 12 TU1	Mahogany/ Mahogany-white	-90		
	964 521 037 12 TR1	Blue/ Blue-white	-90		
	964 521 037 12 LS9	Burgundy/ Burgundy-white	-90		
	964 521 037 12 XF5	Linen/ Linen white	-90		
	964 521 037 12 XF8	Cashmere beige/ Cashmere beige-white	-90		
9	944 521 037 86	Cover for cushion without heating		2	
		Leather/ Centre part in cloth Multicolour			
	944 521 037 86 XG6	Black/black	-90		
	944 521 037 86 XG7	Mahogany/mahogany	-90		
	944 521 037 86 XG8	Marine blue/marine blue	-90		

Model: STZ Model life 1985>>1998

Pos	Part Number	Description	Remark	Qty	Model
	944 521 037 86 XG9	Burgundy/burgundy	-90		
	944 521 037 86 XF7	Linen/linen	-90		
	944 521 037 86 XG5	Cashmere beige/cash. beige	-90		
	944 521 037 86 ATJ	Black/black	91-		
	944 521 037 86 AQT	Classic grey/classic grey	91-		
	944 521 037 86 AQU	Cobalt blue/cobalt blue	91-		
	944 521 037 86 ASJ	Magenta/Magenta	91-		
	944 521 037 86 AQJ	Light grey/light grey	91-		
	944 521 037 86 ATW	Cashmere beige/cash. beige	91-		
	944 521 037 86 BQJ	Marine blue/marine blue	91-		
(9)	964 521 037 12	Cover for cushion with heating Leather/ Centre part in cloth Multicolour		2	
	964 521 037 12 XG6	Black/black	-90		
	964 521 037 12 XG7	Mahogany/mahogany	-90		
	964 521 037 12 XG8	Marine blue/marine blue	-90		
	964 521 037 12 XG9	Burgundy/burgundy	-90		
	964 521 037 12 XF7	Linen/linen	-90		
	964 521 037 12 XG5	Cashmere beige/cash. beige	-90		
	964 521 037 12 ATJ	Black/black	91-		
	964 521 037 12 AQT	Classic grey/classic grey	91-		
	964 521 037 12 AQU	Cobalt blue/cobalt blue	91-		
	964 521 037 12 ASJ	Magenta/Magenta	91-		
	964 521 037 12 AQJ	Light grey/light grey	91-		
	964 521 037 12 ATW	Cashmere beige/cash. beige	91-		
	964 521 037 12 BQJ	Marine blue/marine blue	91-		
9	944 521 037 86	Cover for cushion without heating Leather/ Centre part Porsche lettering cloth		2	
	944 521 037 86 QB2	Black/black	-90		
	944 521 037 86 TU3	Mahogany/mahogany	-90		
	944 521 037 86 TR3	Marine blue/blue	-90		
	944 521 037 86 QB8	Burgundy/burgundy	-90		
	944 521 037 86 XF6	Linen/linen	-90		
	944 521 037 86 XF9	Cashmere beige/cash. beige	-90		
	944 521 037 86 ATD	Black/black	91-		
	944 521 037 86 APG	Classic grey/classic grey	91-		
	944 521 037 86 ARG	Cobalt blue/cobalt blue	91-		
	944 521 037 86 ASG	Magenta/Magenta	91-		
	944 521 037 86 AQG	Light grey/light grey	91-		
	944 521 037 86 ATU	Cashmere beige/cash. beige	91-		
	944 521 037 86 BQL	Marine blue/blue	91-		
(9)	964 521 037 12	Cover for cushion with heating Leather/ Centre part Porsche lettering cloth		2	
	964 521 037 12 QB2	Black/black	-90		
	964 521 037 12 TU3	Mahogany/mahogany	-90		
	964 521 037 12 TR3	Marine blue/blue	-90		
	964 521 037 12 QB8	Burgundy/burgundy	-90		
	964 521 037 12 XF6	Linen/linen	-90		
	964 521 037 12 XF9	Cashmere beige/cash. beige	-90		
	964 521 037 12 ATD	Black/black	91-		
	964 521 037 12 APG	Classic grey/classic grey	91-		
	964 521 037 12 ARG	Cobalt blue/cobalt blue	91-		
	964 521 037 12 ASG	Magenta/Magenta	91-		
	964 521 037 12 AQG	Light grey/light grey	91-		
	964 521 037 12 ATU	Cashmere beige/cash. beige	91-		

Model: STZ Model life 1985>>1998

Pos	Part Number	Description	Remark	Qty	Model		
10	964 521 037 12 BQL	Marine blue/blue	91-	2			
	944 521 037 84	Cover for cushion without heating Leatherette/ Seat surface Leather					
	944 521 037 84 JN3	Black/black	-90				
	944 521 037 84 TV2	Mahogany/mahogany	-90				
	944 521 037 84 TS2	Marine blue/marine blue	-90				
	944 521 037 84 NZ8	Burgundy/burgundy	-90				
	944 521 037 84 TW2	Linen/linen	-90				
	944 521 037 84 XN3	Cashmere beige/cash. beige	-90				
	944 521 037 84 ATG	Black/black	91-				
	944 521 037 84 APK	Classic grey/classic grey	91-				
	944 521 037 84 ARK	Cobalt blue/cobalt blue	91-				
	944 521 037 84 ASK	Magenta/Magenta	91-				
	944 521 037 84 AQK	Light grey/light grey	91-				
	944 521 037 84 ATX	Cashmere beige/cash. beige	91-				
	944 521 037 84 BQA	Marine blue/marine blue	91-				
(10)	964 521 037 10	Seat cover with heating Leatherette/ Seat surface Leather				2	
	964 521 037 10 JN3	Black	-90				
	964 521 037 10 TV2	Mahogany	-90				
	964 521 037 10 TS2	Marine blue	-90				
	964 521 037 10 NZ8	Burgundy	-90				
	964 521 037 10 TW2	Linen	-90				
	964 521 037 10 XN3	Cashmere beige/cash. beige	-90				
	964 521 037 10 ATG	Black/black	91-				
	964 521 037 10 APK	Classic grey/classic grey	91-				
	964 521 037 10 ARK	Cobalt blue/cobalt blue	91-				
	964 521 037 10 ASK	Magenta/Magenta	91-				
	964 521 037 10 AQK	Light grey/light grey	91-				
	964 521 037 10 ATX	Cashmere beige/cash. beige	91-				
	964 521 037 10 BQA	Marine blue/marine blue	91-				
10	944 521 037 85	Cover for cushion without heating Whole-leather		2			
	944 521 037 85 KZ2	Black	-90				
	944 521 037 85 TV1	Mahogany	-90				
	944 521 037 85 TS1	Marine blue	-90				
	944 521 037 85 LG7	Burgundy	-90				
	944 521 037 85 XG3	Caramel	-90				
	944 521 037 85 TW1	Linen	-90				
	944 521 037 85 XG4	Venetian blue	-90				
	944 521 037 85 XN4	Cashmere beige	-90				
	944 521 037 85 XN5	Silk grey	-90				
	944 521 037 85 XN6	Velvet red	-90				
	944 521 037 85 XN7	Slate grey	-90				
	944 521 037 85 ATH	Black	91-				
	944 521 037 85 APL	Classic grey	91-				
	944 521 037 85 ARL	Cobalt blue	91-				
	944 521 037 85 ASL	Magenta	91-				
	944 521 037 85 AQL	Light grey	91-				
	944 521 037 85 ATY	Cashmere beige	91-				
	944 521 037 85 BQB	Marine blue	91-				
	944 521 037 85 AVF	Matador red	91-				
	944 521 037 85 AVG	Carrara grey	91-				
	944 521 037 85 AVH	Sherwood green	91-				
(10)	964 521 037 11	Cover for cushion with heating		2			

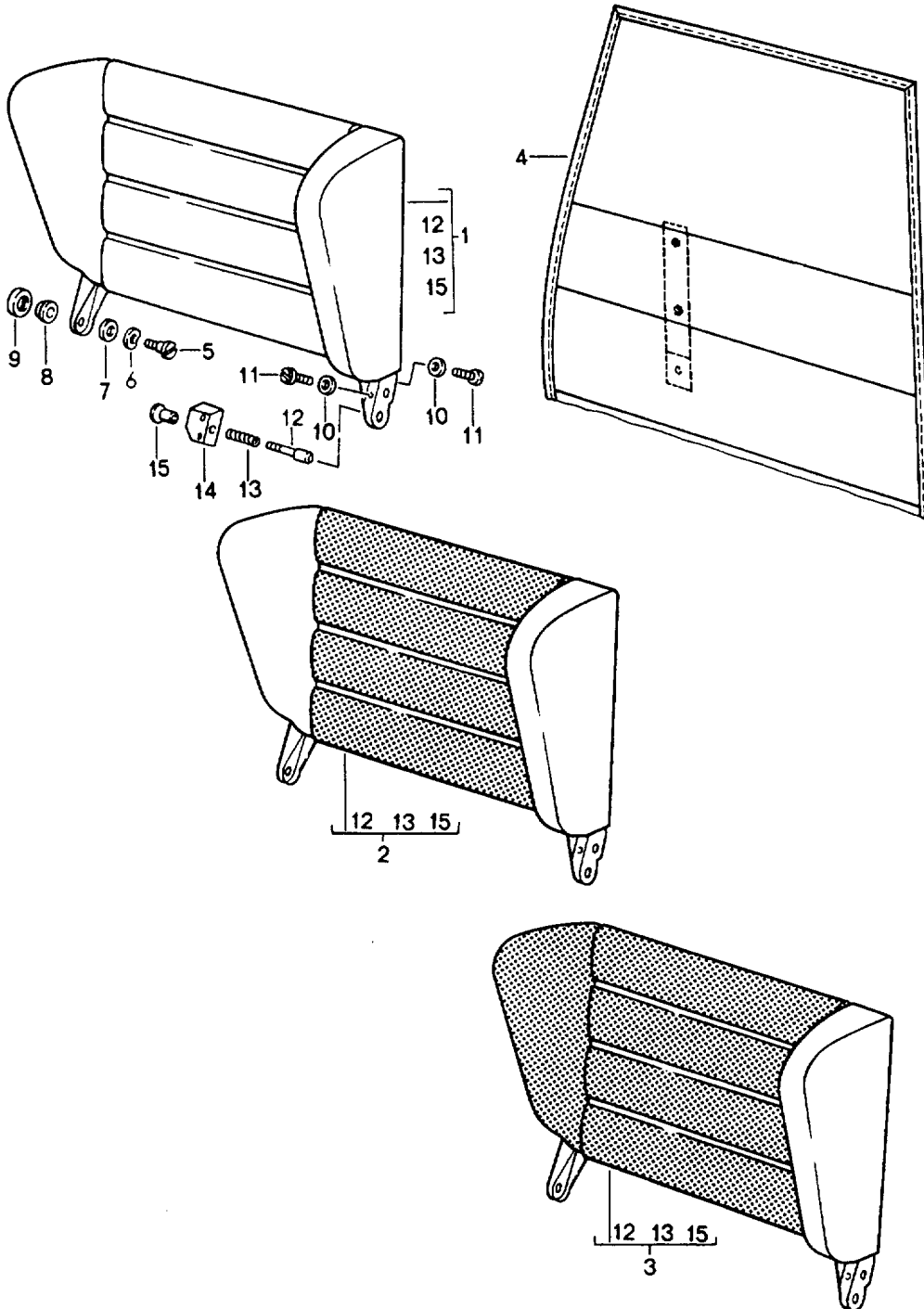
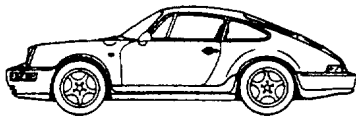
Model: STZ Model life 1985>>1998

Pos	Part Number	Description	Remark	Qty	Model
		Whole-leather			
	964 521 037 11 KZ2	Black	-90		
	964 521 037 11 TV1	Mahogany	-90		
	964 521 037 11 TS1	Marine blue	-90		
	964 521 037 11 LG7	Burgundy	-90		
	964 521 037 11 XG3	Caramel	-90		
	964 521 037 11 TW1	Linen	-90		
	964 521 037 11 XG4	Venetian blue	-90		
	964 521 037 11 XN4	Cashmere beige	-90		
	964 521 037 11 XN5	Silk grey	-90		
	964 521 037 11 XN6	Velvet red	-90		
	964 521 037 11 XN7	Slate grey	-90		
	964 521 037 11 ATH	Black	91-		
	964 521 037 11 APL	Classic grey	91-		
	964 521 037 11 ARL	Cobalt blue	91-		
	964 521 037 11 ASL	Magenta	91-		
	964 521 037 11 AQL	Light grey	91-		
	964 521 037 11 ATY	Cashmere beige	91-		
	964 521 037 11 BQB	Marine blue	91-		
	964 521 037 11 AVF	Matador red	91-		
	964 521 037 11 AVG	Carrara grey	91-		
	964 521 037 11 AVH	Sherwood green	91-		
-	000 043 071 00	Clamp		X	
		Mount			
		Cover			
		Bag			
		Content			
		50			
		Pieces			
11	928 521 385 27	Foam part	/L	1	
		Seat cushion			
(11)	928 521 385 28	Foam part	/L	1	
		with seat heating			
		Seat cushion			
(11)	928 521 386 27	Foam part	/R	1	
		Seat cushion			
(11)	928 521 386 28	Foam part	/R	1	
		with seat heating			
		Seat cushion			



Model: STZ

Model life 1985>>1998



Model: STZ Model life 1985>>1998

Pos	Part Number	Description	Remark	Qty	Model
		Back seat backrest with Pull-type release Lower	89-91		COUPE TARGA
(1)	964 522 017 02	Back seat backrest Leatherette	/L	1	
	964 522 017 02 3MK	Burgundy	-90		
	964 522 017 02 1MX	Mahogany	-90		
	964 522 017 02 43S	Black			
	964 522 017 02 1KX	Marine blue			
	964 522 017 02 4WX	Linen	-90		
	964 522 017 02 7RT	Cashmere beige			
	964 522 017 02 2WJ	Classic grey	91		
	964 522 017 02 9ZH	Cobalt blue	91		
	964 522 017 02 4WY	Magenta	91		
	964 522 017 02 1ZU	Light grey	91		
1	964 522 018 02	Back seat backrest Leatherette	/R	1	
	964 522 018 02 3MK	Burgundy	-90		
	964 522 018 02 1MX	Mahogany	-90		
	964 522 018 02 43S	Black			
	964 522 018 02 1KX	Marine blue			
	964 522 018 02 4WX	Linen	-90		
	964 522 018 02 7RT	Cashmere beige			
	964 522 018 02 2WJ	Classic grey	91		
	964 522 018 02 9ZH	Cobalt blue	91		
	964 522 018 02 4WY	Magenta	91		
	964 522 018 02 1ZU	Light grey	91		
(1)	964 522 017 03	Back seat backrest Whole-leather	/L	1	
	964 522 017 03 KZ2	Black	-90		
	964 522 017 03 TV1	Mahogany	-90		
	964 522 017 03 TS1	Marine blue	-90		
	964 522 017 03 TW1	Linen	-90		
	964 522 017 03 UD5	Caramel	-90		
	964 522 017 03 LG7	Burgundy	-90		
	964 522 017 03 UD6	Venetian blue	-90		
	964 522 017 03 XN4	Cashmere beige	-90		
	964 522 017 03 XN5	Silk grey	-90		
	964 522 017 03 XN6	Velvet red	-90		
	964 522 017 03 XN7	Slate grey	-90		
	964 522 017 03 8YR	Black	91		
	964 522 017 03 6XL	Classic grey	91		
	964 522 017 03 9YL	Cobalt blue	91		
	964 522 017 03 6YL	Magenta	91		
	964 522 017 03 8ZL	Light grey	91		
	964 522 017 03 4YU	Cashmere beige	91		
	964 522 017 03 H05	Marine blue	91		
	964 522 017 03 M05	Matador red	91		
	964 522 017 03 D35	Carrara grey	91		
	964 522 017 03 J25	Sherwood green	91		
1	964 522 018 03	Back seat backrest Whole-leather	/R	1	
	964 522 018 03 KZ2	Black	-90		
	964 522 018 03 TV1	Mahogany	-90		
	964 522 018 03 TS1	Marine blue	-90		
	964 522 018 03 TW1	Linen	-90		
	964 522 018 03 UD5	Caramel	-90		
	964 522 018 03 LG7	Burgundy	-90		
	964 522 018 03 UD6	Venetian blue	-90		
	964 522 018 03 XN4	Cashmere beige	-90		
	964 522 018 03 XN5	Silk grey	-90		
	964 522 018 03 XN6	Velvet red	-90		

Model: STZ Model life 1985>>1998

Pos	Part Number	Description	Remark	Qty	Model
	964 522 018 03 XN7	Slate grey	-90		
	964 522 018 03 8YR	Black	91		
	964 522 018 03 6XL	Classic grey	91		
	964 522 018 03 9YL	Cobalt blue	91		
	964 522 018 03 6YL	Magenta	91		
	964 522 018 03 8ZL	Light grey	91		
	964 522 018 03 4YU	Cashmere beige	91		
	964 522 018 03 H05	Marine blue	91		
	964 522 018 03 M05	Matador red	91		
	964 522 018 03 D35	Carrara grey	91		
	964 522 018 03 J25	Sherwood green	91		
(1)	964 522 017 05	Back seat backrest Draped leather	/L	1	
	964 522 017 05 KZ2	Black	-90		
	964 522 017 05 TV1	Mahogany	-90		
	964 522 017 05 TS1	Marine blue	-90		
	964 522 017 05 TW1	Linen	-90		
	964 522 017 05 UD5	Caramel	-90		
	964 522 017 05 LG7	Burgundy	-90		
	964 522 017 05 UD6	Venetian blue	-90		
	964 522 017 05 XN4	Cashmere beige	-90		
	964 522 017 05 XN5	Silk grey	-90		
	964 522 017 05 XN6	Velvet red	-90		
	964 522 017 05 XN7	Slate grey	-90		
	964 522 017 05 8YR	Black	91		
	964 522 017 05 6XL	Classic grey	91		
	964 522 017 05 9YL	Cobalt blue	91		
	964 522 017 05 6YL	Magenta	91		
	964 522 017 05 8ZL	Light grey	91		
	964 522 017 05 4YU	Cashmere beige	91		
	964 522 017 05 H05	Marine blue	91		
	964 522 017 05 M05	Matador red	91		
	964 522 017 05 D35	Carrara grey	91		
	964 522 017 05 J25	Sherwood green	91		
1	964 522 018 05	Back seat backrest Draped leather	/R	1	
	964 522 018 05 KZ2	Black	-90		
	964 522 018 05 TV1	Mahogany	-90		
	964 522 018 05 TS1	Marine blue	-90		
	964 522 018 05 TW1	Linen	-90		
	964 522 018 05 UD5	Caramel	-90		
	964 522 018 05 LG7	Burgundy	-90		
	964 522 018 05 UD6	Venetian blue	-90		
	964 522 018 05 XN4	Cashmere beige	-90		
	964 522 018 05 XN5	Silk grey	-90		
	964 522 018 05 XN6	Velvet red	-90		
	964 522 018 05 XN7	Slate grey	-90		
	964 522 018 05 8YR	Black	91		
	964 522 018 05 6XL	Classic grey	91		
	964 522 018 05 9YL	Cobalt blue	91		
	964 522 018 05 6YL	Magenta	91		
	964 522 018 05 8ZL	Light grey	91		
	964 522 018 05 4YU	Cashmere beige	91		
	964 522 018 05 H05	Marine blue	91		
	964 522 018 05 M05	Matador red	91		
	964 522 018 05 D35	Carrara grey	91		
	964 522 018 05 J25	Sherwood green	91		
(2)	964 522 017 01	Back seat backrest Leatherette/ Centre part in cloth Pin stripe velour	/L	1	
	964 522 017 01 JN1	Black/ Black-white	-90		

Model: STZ Model life 1985>>1998

Pos	Part Number	Description	Remark	Qty	Model
	964 522 017 01 TU4	Mahogany/ Mahogany-white	-90		
	964 522 017 01 TR4	Blue/ Blue-white	-90		
	964 522 017 01 LT2	Burgundy/ Burgundy-white	-90		
	964 522 017 01 XH2	Linen/ Linen white	-90		
	964 522 017 01 XH7	Cashmere beige/ Cashmere beige-white	-90		
2	964 522 018 01	Back seat backrest Leatherette/ Centre part in cloth Pin stripe velour	/R	1	
	964 522 018 01 JN1	Black/ Black-white	-90		
	964 522 018 01 TU4	Mahogany/ Mahogany-white	-90		
	964 522 018 01 TR4	Blue/ Blue-white	-90		
	964 522 018 01 LT2	Burgundy/ Burgundy-white	-90		
	964 522 018 01 XH2	Linen/ Linen white	-90		
	964 522 018 01 XH7	Cashmere beige/ Cashmere beige-white	-90		
(2)	964 522 017 01	Back seat backrest Leatherette/ Centre part in cloth Multicolour	/L	1	
	964 522 017 01 XJ2	Black/black			
	964 522 017 01 XJ3	Mahogany/mahogany	-90		
	964 522 017 01 XJ5	Marine blue/marine blue			
	964 522 017 01 XJ7	Burgundy/burgundy	-90		
	964 522 017 01 XH6	Linen/linen	-90		
	964 522 017 01 XH9	Cashmere beige/cash. beige			
	964 522 017 01 APF	Classic grey/classic grey	91		
	964 522 017 01 ARF	Cobalt blue/cobalt blue	91		
	964 522 017 01 ASF	Magenta/Magenta	91		
	964 522 017 01 AQF	Light grey/light grey	91		
2	964 522 018 01	Back seat backrest Leatherette/ Centre part in cloth Multicolour	/R	1	
	964 522 018 01 XJ2	Black/black			
	964 522 018 01 XJ3	Mahogany/mahogany	-90		
	964 522 018 01 XJ5	Marine blue/marine blue			
	964 522 018 01 XJ7	Burgundy/burgundy	-90		
	964 522 018 01 XH6	Linen/linen	-90		
	964 522 018 01 XH9	Cashmere beige/cash. beige			
	964 522 018 01 APF	Classic grey/classic grey	91		
	964 522 018 01 ARF	Cobalt blue/cobalt blue	91		
	964 522 018 01 ASF	Magenta/Magenta	91		
	964 522 018 01 AQF	Light grey/light grey	91		
(2)	964 522 017 01	Back seat backrest Leatherette/ Centre part Porsche lettering cloth	/L	1	
	964 522 017 01 PZ7	Black/black			
	964 522 017 01 TU6	Mahogany/mahogany	-90		
	964 522 017 01 TR6	Marine blue/blue			
	964 522 017 01 QA1	Burgundy/burgundy	-90		
	964 522 017 01 XH4	Linen/linen	-90		

Model: STZ Model life 1985>>1998

Pos	Part Number	Description	Remark	Qty	Model
	964 522 017 01 XH8	Cashmere beige/cash. beige			
	964 522 017 01 APA	Classic grey/classic grey	91		
	964 522 017 01 ARA	Cobalt blue/cobalt blue	91		
	964 522 017 01 ASA	Magenta/Magenta	91		
	964 522 017 01 AQA	Light grey/light grey	91		
2	964 522 018 01	Back seat backrest Leatherette/ Centre part Porsche lettering cloth	/R	1	
	964 522 018 01 PZ7	Black/black			
	964 522 018 01 TU6	Mahogany/mahogany	-90		
	964 522 018 01 TR6	Marine blue/blue			
	964 522 018 01 QA1	Burgundy/burgundy	-90		
	964 522 018 01 XH4	Linen/linen	-90		
	964 522 018 01 XH8	Cashmere beige/cash. beige			
	964 522 018 01 APA	Classic grey/classic grey	91		
	964 522 018 01 ARA	Cobalt blue/cobalt blue	91		
	964 522 018 01 ASA	Magenta/Magenta	91		
	964 522 018 01 AQA	Light grey/light grey	91		
(2)	964 522 017 04	Back seat backrest Leather/ Centre part in cloth Pin stripe velour	/L	1	
	964 522 017 04 LS5	Black/ Black-white	-90		
	964 522 017 04 TU1	Mahogany/ Mahogany-white	-90		
	964 522 017 04 TR1	Blue/ Blue-white	-90		
	964 522 017 04 LS9	Burgundy/ Burgundy-white	-90		
	964 522 017 04 XF5	Linen/ Linen white	-90		
	964 522 017 04 XF8	Cashmere beige/ Cashmere beige-white	-90		
2	964 522 018 04	Back seat backrest Leather/ Centre part in cloth Pin stripe velour	/R	1	
	964 522 018 04 LS5	Black/ Black-white	-90		
	964 522 018 04 TU1	Mahogany/ Mahogany-white	-90		
	964 522 018 04 TR1	Blue/ Blue-white	-90		
	964 522 018 04 LS9	Burgundy/ Burgundy-white	-90		
	964 522 018 04 XF5	Linen/ Linen white	-90		
	964 522 018 04 XF8	Cashmere beige/ Cashmere beige-white	-90		
(2)	964 522 017 04	Back seat backrest Leather/ Centre part in cloth Multicolour	/L	1	
	964 522 017 04 XG6	Black/black	-90		
	964 522 017 04 XG7	Mahogany/mahogany	-90		
	964 522 017 04 XG8	Marine blue/marine blue	-90		
	964 522 017 04 XG9	Burgundy/burgundy	-90		
	964 522 017 04 XF7	Linen/linen	-90		
	964 522 017 04 XG5	Cashmere beige/cash. beige	-90		
	964 522 017 04 ATJ	Black/black	91		
	964 522 017 04 AQT	Classic grey/classic grey	91		

Model: STZ Model life 1985>>1998

Pos	Part Number	Description	Remark	Qty	Model			
2	964 522 017 04 AQU	Cobalt blue/cobalt blue	91	1				
	964 522 017 04 ASJ	Magenta/Magenta	91					
	964 522 017 04 AQJ	Light grey/light grey	91					
	964 522 017 04 ATW	Cashmere beige/cash. beige	91					
	964 522 017 04 BQJ	Marine blue/marine blue	91					
	964 522 018 04	Back seat backrest Leather/ Centre part in cloth Multicolour	/R					
	964 522 018 04 XG6	Black/black	-90					
	964 522 018 04 XG7	Mahogany/mahogany	-90					
	964 522 018 04 XG8	Marine blue/marine blue	-90					
	964 522 018 04 XG9	Burgundy/burgundy	-90					
	964 522 018 04 XF7	Linen/linen	-90					
	964 522 018 04 XG5	Cashmere beige/cash. beige	-90					
	964 522 018 04 ATJ	Black/black	91					
	964 522 018 04 AQT	Classic grey/classic grey	91					
	964 522 018 04 AQU	Cobalt blue/cobalt blue	91					
	964 522 018 04 ASJ	Magenta/Magenta	91					
	(2)	964 522 018 04 AQJ	Light grey/light grey			91	1	
964 522 018 04 ATW		Cashmere beige	91					
964 522 018 04 BQJ		Marine blue/marine blue	91					
964 522 017 04		Back seat backrest Leather/ Centre part Porsche lettering cloth	/L					
964 522 017 04 QB2		Black/black	-90					
964 522 017 04 TU3		Mahogany/mahogany	-90					
964 522 017 04 TR3		Marine blue/blue	-90					
964 522 017 04 QB8		Burgundy/burgundy	-90					
964 522 017 04 XF6		Linen/linen	-90					
964 522 017 04 XF9		Cashmere beige/cash. beige	-90					
964 522 017 04 ATD		Black/black	91					
964 522 017 04 APG		Classic grey/classic grey	91					
964 522 017 04 ARG		Cobalt blue/cobalt blue	91					
964 522 017 04 ASG		Magenta/Magenta	91					
964 522 017 04 AQG		Light grey/light grey	91					
964 522 017 04 ATU		Cashmere beige/cash. beige	91					
2		964 522 017 04 BQL	Marine blue/blue	91	1			
	964 522 018 04	Back seat backrest Leather/ Centre part Porsche lettering cloth	/R					
	964 522 018 04 QB2	Black/black	-90					
	964 522 018 04 TU3	Mahogany/mahogany	-90					
	964 522 018 04 TR3	Marine blue/blue	-90					
	964 522 018 04 QB8	Burgundy/burgundy	-90					
	964 522 018 04 XF6	Linen/linen	-90					
	964 522 018 04 XF9	Cashmere beige/cash. beige	-90					
	964 522 018 04 ATD	Black/black	91					
	964 522 018 04 APG	Classic grey/classic grey	91					
	964 522 018 04 ARG	Cobalt blue/cobalt blue	91					
	964 522 018 04 ASG	Magenta/Magenta	91					
	964 522 018 04 AQG	Light grey/light grey	91					
	964 522 018 04 ATU	Cashmere beige/cash. beige	91					
	964 522 018 04 BQL	Marine blue/blue	91					
	3	964 522 017 00	Back seat backrest Leatherette/ Backrest surface Porsche lettering cloth	/L			1	
		964 522 017 00 PX2	Black/black					
964 522 017 00 TU9		Mahogany/mahogany	-90					
964 522 017 00 TR9		Marine blue/blue						

Model: STZ Model life 1985>>1998

Pos	Part Number	Description	Remark	Qty	Model
	964 522 017 00 PX6	Burgundy/burgundy	-90		
	964 522 017 00 XK3	Linen/linen	-90		
	964 522 017 00 XK6	Cashmere beige/cash. beige			
	964 522 017 00 APM	Classic grey/classic grey	91		
	964 522 017 00 ARM	Cobalt blue/cobalt blue	91		
	964 522 017 00 ASM	Magenta/Magenta	91		
	964 522 017 00 AQM	Light grey/light grey	91		
(3)	964 522 018 00	Back seat backrest Leatherette/ Backrest surface Porsche lettering cloth	/R	1	
	964 522 018 00 PX2	Black/black			
	964 522 018 00 TU9	Mahogany/mahogany	-90		
	964 522 018 00 TR9	Marine blue/blue			
	964 522 018 00 PX6	Burgundy/burgundy	-90		
	964 522 018 00 XK3	Linen/linen	-90		
	964 522 018 00 XK6	Cashmere beige/cash. beige			
	964 522 018 00 APM	Classic grey/classic grey	91		
	964 522 018 00 ARM	Cobalt blue/cobalt blue	91		
	964 522 018 00 ASM	Magenta/Magenta	91		
	964 522 018 00 AQM	Light grey/light grey	91		
3	964 522 017 00	Back seat backrest Leatherette/ Backrest surface Pin stripe velour	/L	1	
	964 522 017 00 NY5	Black/ Black-white	-90		
	964 522 017 00 TU7	Mahogany/ Mahogany-white	-90		
	964 522 017 00 TR7	Blue/ Blue-white	-90		
	964 522 017 00 NY8	Burgundy/ Burgundy-white	-90		
	964 522 017 00 XK2	Linen/ Linen white	-90		
	964 522 017 00 XH7	Cashmere beige/ Cashmere beige-white	-90		
(3)	964 522 018 00	Back seat backrest Leatherette/ Backrest surface Pin stripe velour	/R	1	
	964 522 018 00 NY5	Black/ Black-white	-90		
	964 522 018 00 TU7	Mahogany/ Mahogany-white	-90		
	964 522 018 00 TR7	Blue/ Blue-white	-90		
	964 522 018 00 NY8	Burgundy/ Burgundy-white	-90		
	964 522 018 00 XK2	Linen/ Linen white	-90		
	964 522 018 00 XH7	Cashmere beige/ Cashmere beige-white	-90		
3	964 522 017 00	Back seat backrest Leatherette/ Backrest surface Multicolour	/L	1	
	964 522 017 00 XK8	Black/black			
	964 522 017 00 XK9	Mahogany/mahogany	-90		
	964 522 017 00 XN1	Marine blue/marine blue			
	964 522 017 00 XN2	Burgundy/burgundy	-90		
	964 522 017 00 XK4	Linen/linen	-90		
	964 522 017 00 XK7	Cashmere beige/cash. beige			

Model: STZ Model life 1985>>1998

Pos	Part Number	Description	Remark	Qty	Model
(3)	964 522 017 00 AQP	Classic grey/classic grey	91	1	
	964 522 017 00 AQV	Cobalt blue/cobalt blue	91		
	964 522 017 00 ASN	Magenta/Magenta	91		
	964 522 017 00 AQN	Light grey/light grey	91		
	964 522 018 00	Back seat backrest Leatherette/ Backrest surface Multicolour	/R		
	964 522 018 00 XK8	Black/black			
	964 522 018 00 XK9	Mahogany/mahogany	-90		
	964 522 018 00 XN1	Marine blue/marine blue			
	964 522 018 00 XN2	Burgundy/burgundy	-90		
	964 522 018 00 XK4	Linen/linen	-90		
(4)	964 522 018 00 XK7	Cashmere beige/cash. beige		1	
	964 522 018 00 AQP	Classic grey/classic grey	91		
	964 522 018 00 AQV	Cobalt blue/cobalt blue	91		
	964 522 018 00 ASN	Magenta/Magenta	91		
	964 522 018 00 AQN	Light grey/light grey	91		
	964 522 173 00	Carpet for Back seat backrest	/L -90		
	964 522 173 00 5FV	Black			
	964 522 173 00 5MF	Mahogany			
	964 522 173 00 4KV	Marine blue			
	964 522 173 00 8MD	Burgundy			
4	964 522 173 00 2XF	Linen		1	
	964 522 173 00 8UT	Cashmere beige			
	964 522 173 00 7VT	Silk grey			
	964 522 173 00 9MT	Velvet red			
	964 522 173 00 3WT	Slate grey			
	964 522 173 00 5UM	Caramel			
	964 522 173 00 3KM	Venetian blue			
	964 522 174 00	Carpet for Back seat backrest	/R -90		
	964 522 174 00 5FV	Black			
	964 522 174 00 5MF	Mahogany			
(4)	964 522 174 00 4KV	Marine blue		1	
	964 522 174 00 8MD	Burgundy			
	964 522 174 00 2XF	Linen			
	964 522 174 00 8UT	Cashmere beige			
	964 522 174 00 7VT	Silk grey			
	964 522 174 00 9MT	Velvet red			
	964 522 174 00 3WT	Slate grey			
	964 522 174 00 5UM	Caramel			
	964 522 174 00 3KM	Venetian blue			
	964 522 173 01	Carpet for Back seat backrest	/L 91		
4	964 522 173 01 5FV	Black		1	
	964 522 173 01 8UT	Cashmere beige			
	964 522 173 01 4XR	Classic grey			
	964 522 173 01 4ZN	Cobalt blue			
	964 522 173 01 8WZ	Magenta			
	964 522 173 01 6YR	Light grey			
	964 522 173 01 M33	Matador red			
	964 522 173 01 D13	Carrara grey			
	964 522 173 01 J23	Sherwood green			
	964 522 173 01 4KV	Marine blue			
964 522 174 01	Carpet for Back seat backrest	/R 91			
964 522 174 01 5FV	Black				

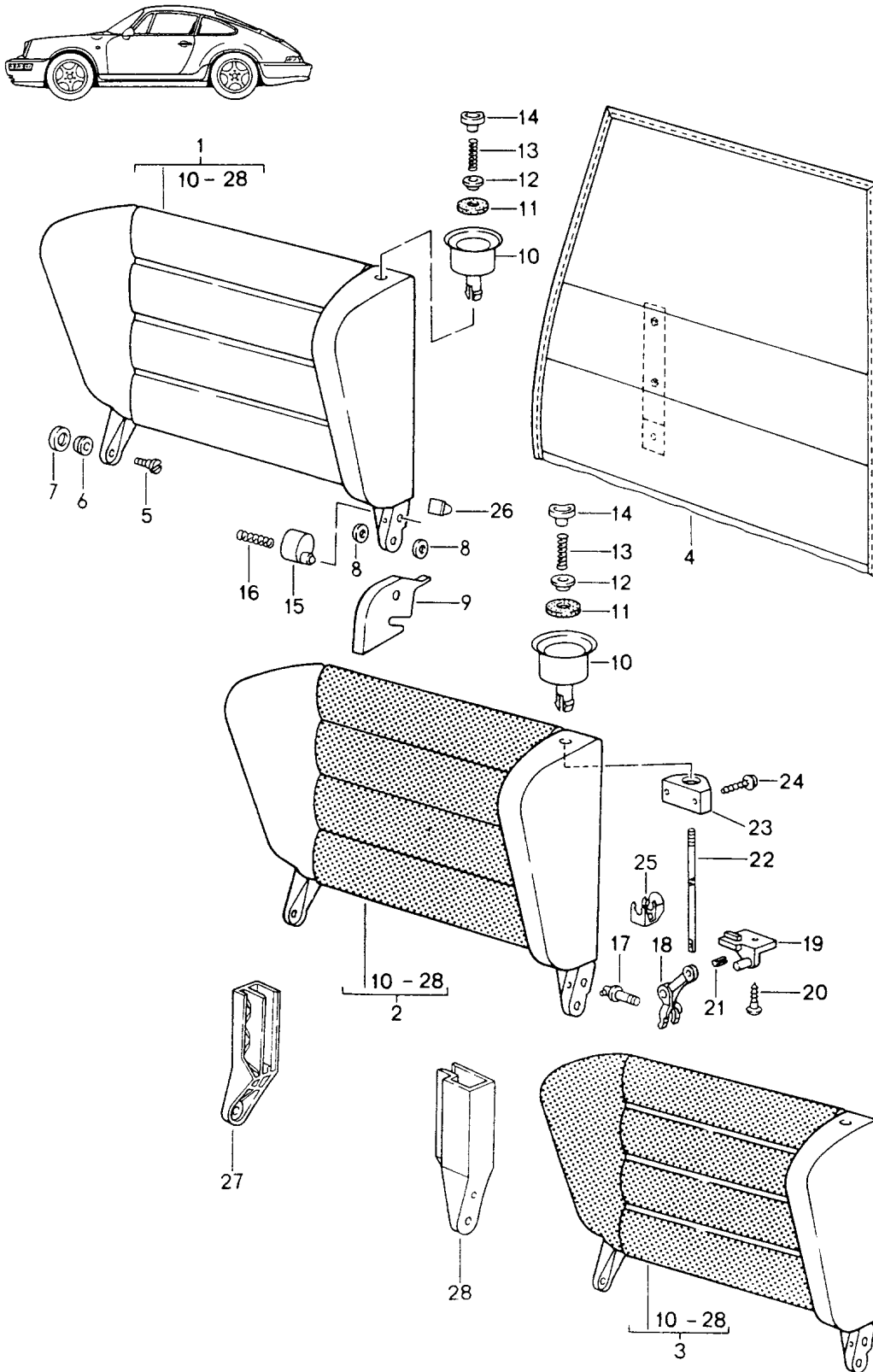


Model: STZ Model life 1985>>1998

Pos	Part Number	Description	Remark	Qty	Model
	964 522 174 01 8UT	Cashmere beige			
	964 522 174 01 4XR	Classic grey			
	964 522 174 01 4ZN	Cobalt blue			
	964 522 174 01 8WZ	Magenta			
	964 522 174 01 6YR	Light grey			
	964 522 174 01 M33	Matador red			
	964 522 174 01 D13	Carrara grey			
	964 522 174 01 J23	Sherwood green			
	964 522 174 01 4KV	Marine blue			
-	911 522 065 00	Retaining strap		2	
	911 522 065 00 70A	Black			
5	900 236 001 07	Oval-head screw M 8 X 10		2	
5	900 236 001 03	Oval-head screw M 8 X 10		2	
6	N 012 230 1	Spring washer B 10		2	
7	911 559 435 00	Spacer		4	
8	901 522 509 20	Bearing sleeve		2	
9	901 522 365 20	Cap		2	
10	999 523 106 02	Lock washer B 5		4	
11	N 014 133 8	Oval-head screw M 5 X 12		4	
12	911 522 229 01	Bolt		2	
13	911 522 233 00	Spring		1	
(14)	911 522 227 01	Bearing	/L	1	
14	911 522 228 01	Bearing	/R	1	
15	911 522 231 00	Knob		1	

Model: STZ

Model life 1985>>1998



Model: STZ Model life 1985>>1998

Pos	Part Number	Description	Remark	Qty	Model
		Back seat backrest with Release button Upper	91-94		CARRERA 2/4 COUPE TARGA TURBO
(1)	964 522 017 08	Back seat backrest Leatherette	/L	1	
	964 522 017 08 43S	Black			
	964 522 017 08 2WJ	Classic grey			
	964 522 017 08 9ZH	Cobalt blue			
	964 522 017 08 4WY	Magenta			
	964 522 017 08 1ZU	Light grey			
	964 522 017 08 7RT	Cashmere beige			
	964 522 017 08 1KX	Marine blue			
1	964 522 018 08	Back seat backrest Leatherette	/R	1	
	964 522 018 08 43S	Black			
	964 522 018 08 2WJ	Classic grey			
	964 522 018 08 9ZH	Cobalt blue			
	964 522 018 08 4WY	Magenta			
	964 522 018 08 1ZU	Light grey			
	964 522 018 08 7RT	Cashmere beige			
	964 522 018 08 1KX	Marine blue			
(1)	964 522 017 09	Back seat backrest Whole-leather	/L	1	
	964 522 017 09 8YR	Black			
	964 522 017 09 6XL	Classic grey			
	964 522 017 09 9YL	Cobalt blue			
	964 522 017 09 6YL	Magenta			
	964 522 017 09 8ZL	Light grey			
	964 522 017 09 4YU	Cashmere beige			
	964 522 017 09 M05	Matador red			
	964 522 017 09 D35	Carrara grey			
	964 522 017 09 J25	Sherwood green			
	964 522 017 09 H05	Marine blue			
1	964 522 018 09	Back seat backrest Whole-leather	/R	1	
	964 522 018 09 8YR	Black			
	964 522 018 09 6XL	Classic grey			
	964 522 018 09 9YL	Cobalt blue			
	964 522 018 09 6YL	Magenta			
	964 522 018 09 8ZL	Light grey			
	964 522 018 09 4YU	Cashmere beige			
	964 522 018 09 M05	Matador red			
	964 522 018 09 D35	Carrara grey			
	964 522 018 09 J25	Sherwood green			
	964 522 018 09 H05	Marine blue			
(1)	964 522 017 11	Back seat backrest Draped leather	/L	1	
	964 522 017 11 8YR	Black			
	964 522 017 11 6XL	Classic grey			
	964 522 017 11 9YL	Cobalt blue			
	964 522 017 11 6YL	Magenta			
	964 522 017 11 8ZL	Light grey			
	964 522 017 11 4YU	Cashmere beige			
	964 522 017 11 M05	Matador red			
	964 522 017 11 D35	Carrara grey			
	964 522 017 11 J25	Sherwood green			
	964 522 017 11 H05	Marine blue			
1	964 522 018 11	Back seat backrest Draped leather	/R	1	
	964 522 018 11 8YR	Black			
	964 522 018 11 6XL	Classic grey			
	964 522 018 11 9YL	Cobalt blue			

Model: STZ Model life 1985>>1998

Pos	Part Number	Description	Remark	Qty	Model
	964 522 018 11 6YL	Magenta			
	964 522 018 11 8ZL	Light grey			
	964 522 018 11 4YU	Cashmere beige			
	964 522 018 11 M05	Matador red			
	964 522 018 11 D35	Carrara grey			
	964 522 018 11 J25	Sherwood green			
	964 522 018 11 H05	Marine blue			
(2)	964 522 017 07	Back seat backrest Leatherette/ Centre part in cloth Multicolour	/L	1	
	964 522 017 07 XJ2	Black/black			
	964 522 017 07 APF	Classic grey/classic grey			
	964 522 017 07 ARF	Cobalt blue/cobalt blue			
	964 522 017 07 ASF	Magenta/Magenta			
	964 522 017 07 AQF	Light grey/light grey			
	964 522 017 07 XJ5	Marine blue/marine blue			
	964 522 017 07 XH9	Cashmere beige/cash. beige			
2	964 522 018 07	Back seat backrest Leatherette/ Centre part in cloth Multicolour	/R	1	
	964 522 018 07 XJ2	Black/black			
	964 522 018 07 APF	Classic grey/classic grey			
	964 522 018 07 ARF	Cobalt blue/cobalt blue			
	964 522 018 07 ASF	Magenta/Magenta			
	964 522 018 07 AQF	Light grey/light grey			
	964 522 018 07 XJ5	Marine blue/marine blue			
	964 522 018 07 XH9	Cashmere beige/cash. beige			
(2)	964 522 017 07	Back seat backrest Leatherette/ Centre part Porsche lettering cloth	/L	1	
	964 522 017 07 PZ7	Black/black			
	964 522 017 07 APA	Classic grey/classic grey			
	964 522 017 07 ARA	Cobalt blue/cobalt blue			
	964 522 017 07 ASA	Magenta/Magenta			
	964 522 017 07 AQA	Light grey/light grey			
	964 522 017 07 XH8	Cashmere beige/cash. beige			
	964 522 017 07 TR6	Marine blue/blue			
2	964 522 018 07	Back seat backrest Leatherette/ Centre part Porsche lettering cloth	/R	1	
	964 522 018 07 PZ7	Black/black			
	964 522 018 07 APA	Classic grey/classic grey			
	964 522 018 07 ARA	Cobalt blue/cobalt blue			
	964 522 018 07 ASA	Magenta/Magenta			
	964 522 018 07 AQA	Light grey/light grey			
	964 522 018 07 XH8	Cashmere beige/cash. beige			
	964 522 018 07 TR6	Marine blue/blue			
(2)	964 522 017 10	Back seat backrest Leather Centre part in cloth Multicolour		1	
	964 522 017 10 ATJ	Black/black			
	964 522 017 10 AQT	Classic grey/classic grey			
	964 522 017 10 AQU	Cobalt blue/cobalt blue			
	964 522 017 10 ASJ	Magenta/Magenta			
	964 522 017 10 AQJ	Light grey/light grey			
	964 522 017 10 ATW	Cashmere beige/cash. beige			
	964 522 017 10 BQJ	Marine blue/marine blue			
2	964 522 018 10	Back seat backrest		1	

Model: STZ Model life 1985>>1998

Pos	Part Number	Description	Remark	Qty	Model	
(2)		Leather Centre part in cloth Multicolour		1		
	964 522 018 10 ATJ	Black/black				
	964 522 018 10 AQT	Classic grey/classic grey				
	964 522 018 10 AQU	Cobalt blue/cobalt blue				
	964 522 018 10 ASJ	Magenta/Magenta				
	964 522 018 10 AQJ	Light grey/light grey				
	964 522 018 10 ATW	Cashmere beige/cash. beige				
	964 522 018 10 BQJ	Marine blue/marine blue				
	964 522 017 10	Back seat backrest				
		Leather Centre part Porsche lettering cloth				
2	964 522 017 10 ATD	Black/black		1		
	964 522 017 10 APG	Classic grey/classic grey				
	964 522 017 10 ARG	Cobalt blue/cobalt blue				
	964 522 017 10 ASG	Magenta/Magenta				
	964 522 017 10 AQG	Light grey/light grey				
	964 522 017 10 ATU	Cashmere beige/cash. beige				
	964 522 017 10 BQL	Marine blue/blue				
	964 522 018 10	Back seat backrest				
		Leather Centre part Porsche lettering cloth				
		964 522 018 10 ATD	Black/black			
(3)	964 522 018 10 APG	Classic grey/classic grey		1		
	964 522 018 10 ARG	Cobalt blue/cobalt blue				
	964 522 018 10 ASG	Magenta/Magenta				
	964 522 018 10 AQG	Light grey/light grey				
	964 522 018 10 ATU	Cashmere beige/cash. beige				
	964 522 018 10 BQL	Marine blue/blue				
	964 522 017 06	Back seat backrest				
		Leatherette/ Backrest surface Multicolour				
		964 522 017 06 XK8	Black/black			
		964 522 017 06 AQP	Classic grey			
3	964 522 017 06 AQP	Classic grey		1		
	964 522 017 06 AQV	Cobalt blue				
	964 522 017 06 ASN	Magenta				
	964 522 017 06 AQN	Light grey				
	964 522 017 06 XK7	Cashmere beige				
	964 522 017 06 XN1	Marine blue/marine blue				
	964 522 018 06	Back seat backrest				
		Leatherette/ Backrest surface Multicolour				
		964 522 018 06 XK8	Black/black			
		964 522 018 06 AQP	Classic grey			
(3)	964 522 018 06 AQP	Classic grey		1		
	964 522 018 06 AQV	Cobalt blue				
	964 522 018 06 ASN	Magenta				
	964 522 018 06 AQN	Light grey				
	964 522 018 06 XK7	Cashmere beige				
	964 522 018 06 XN1	Marine blue/marine blue				
	964 522 017 06	Back seat backrest				
		Leatherette/ Backrest surface Porsche lettering cloth				
		964 522 017 06 PX2	Black/black			
		964 522 017 06 APM	Classic grey/classic grey			
	964 522 017 06 ARM	Cobalt blue/cobalt blue				
	964 522 017 06 ASM	Magenta/Magenta				
	964 522 017 06 AQM	Light grey/light grey				

Model: STZ Model life 1985>>1998

Pos	Part Number	Description	Remark	Qty	Model			
3	964 522 017 06 XK6	Cashmere beige/cash. beige		1				
	964 522 017 06 TR9	Marine blue/blue						
	964 522 018 06	Back seat backrest Leatherette/ Backrest surface Porsche lettering cloth						
	964 522 018 06 PX2	Black/black						
	964 522 018 06 APM	Classic grey/classic grey						
	964 522 018 06 ARM	Cobalt blue/cobalt blue						
	964 522 018 06 ASM	Magenta/Magenta						
	964 522 018 06 AQM	Light grey/light grey						
	964 522 018 06 XK6	Cashmere beige/cash. beige						
	964 522 018 06 TR9	Marine blue/blue						
4	964 522 173 01	Carpet for Back seat backrest	/L	1	COUPE/TARGA			
	964 522 173 01 5FV	Black						
	964 522 173 01 4XR	Classic grey						
	964 522 173 01 4ZN	Cobalt blue						
	964 522 173 01 8WZ	Magenta						
	964 522 173 01 6YR	Light grey						
	964 522 173 01 8UT	Cashmere beige						
	964 522 173 01 M33	Matador red						
	964 522 173 01 D13	Carrara grey						
	964 522 173 01 J23	Sherwood green						
	964 522 173 01 4KV	Marine blue						
	(4)	964 522 174 01	Carpet for Back seat backrest			/R	1	COUPE/TARGA
		964 522 174 01 5FV	Black					
		964 522 174 01 4XR	Classic grey					
		964 522 174 01 4ZN	Cobalt blue					
		964 522 174 01 8WZ	Magenta					
		964 522 174 01 6YR	Light grey					
964 522 174 01 8UT		Cashmere beige						
964 522 174 01 M33		Matador red						
964 522 174 01 D13		Carrara grey						
964 522 174 01 J23		Sherwood green						
964 522 174 01 4KV		Marine blue						
(4)		965 522 173 01	Carpet for Back seat backrest	/L -92	1	TURBO		
		965 522 173 01 5FV	Black					
		965 522 173 01 4XR	Classic grey					
		965 522 173 01 4ZN	Cobalt blue					
		965 522 173 01 8WZ	Magenta					
		965 522 173 01 6YR	Light grey					
	965 522 173 01 8UT	Cashmere beige						
	965 522 173 01 M33	Matador red						
	965 522 173 01 D13	Carrara grey						
	965 522 173 01 J23	Sherwood green						
	965 522 173 01 4KV	Marine blue						
	(4)	965 522 174 01	Carpet for Back seat backrest	/R -92			1	TURBO
		965 522 174 01 5FV	Black					
		965 522 174 01 4XR	Classic grey					
		965 522 174 01 4ZN	Cobalt blue					
		965 522 174 01 8WZ	Magenta					
		965 522 174 01 6YR	Light grey					
965 522 174 01 8UT		Cashmere beige						
965 522 174 01 M33		Matador red						
965 522 174 01 D13		Carrara grey						

Model: STZ Model life 1985>>1998

Pos	Part Number	Description	Remark	Qty	Model
(4)	965 522 174 01 J23	Sherwood green		1	TURBO 3,6
	965 522 174 01 4KV	Marine blue			
	965 522 173 02	Carpet for Back seat backrest	/L 93-		
	965 522 173 02 5FV	Black			
	965 522 173 02 4XR	Classic grey			
	965 522 173 02 4ZN	Cobalt blue			
	965 522 173 02 8WZ	Magenta			
	965 522 173 02 6YR	Light grey			
	965 522 173 02 8UT	Cashmere beige			
	965 522 173 02 M33	Matador red			
(4)	965 522 173 02 D13	Carrara grey		1	TURBO 3,6
	965 522 173 02 J23	Sherwood green			
	965 522 173 02 4KV	Marine blue			
	965 522 174 02	Carpet for Back seat backrest	/R 93-		
	965 522 174 02 5FV	Black			
	965 522 174 02 4XR	Classic grey			
	965 522 174 02 4ZN	Cobalt blue			
	965 522 174 02 8WZ	Magenta			
	965 522 174 02 6YR	Light grey			
	965 522 174 02 8UT	Cashmere beige			
-	911 522 065 00	Retaining strap		2	
	911 522 065 00 70A	Black			
5	900 236 001 07	Oval-head screw M 8 X 10		2	
5	900 236 001 03	Oval-head screw M 8 X 10		2	
6	901 522 509 20	Bearing sleeve		2	
7	901 522 365 20	Cap		2	
8	999 704 160 40	Rubber washer		4	
9	964 522 517 00	Cover		1	
10	964 522 517 00 01C	Satin black		2	
	944 522 315 00	Rosette			
11	944 522 315 00 01C	Satin black		2	
	944 522 319 00	Guide piece			
12	964 522 363 00	Washer		2	
13	999 521 068 07	Compression spring	92-	2	
14	944 522 317 00	Push button		2	
	944 522 317 00 01C	Satin black			
15	964 522 197 00	Bolt		2	
16	964 803 659 00	Compression spring		2	
17	964 522 199 00	Control lever		2	
18	964 522 603 01	Reverse lever		2	
(19)	964 522 601 01	Bearing	/L	1	
	964 522 602 01	Bearing	/R		
20	900 316 008 02	Screw 3,5 X 22		2	
	900 095 126 01	Roll pin 2,5 X 5			
21	900 095 126 0B	Roll pin 2,5 X 5		2	
22	964 522 701 00	Operating rod		2	
23	964 522 721 00	Bearing		2	
24	999 919 065 07	Combination screw 5 X 20		4	
	964 522 605 00	Torsion protection			

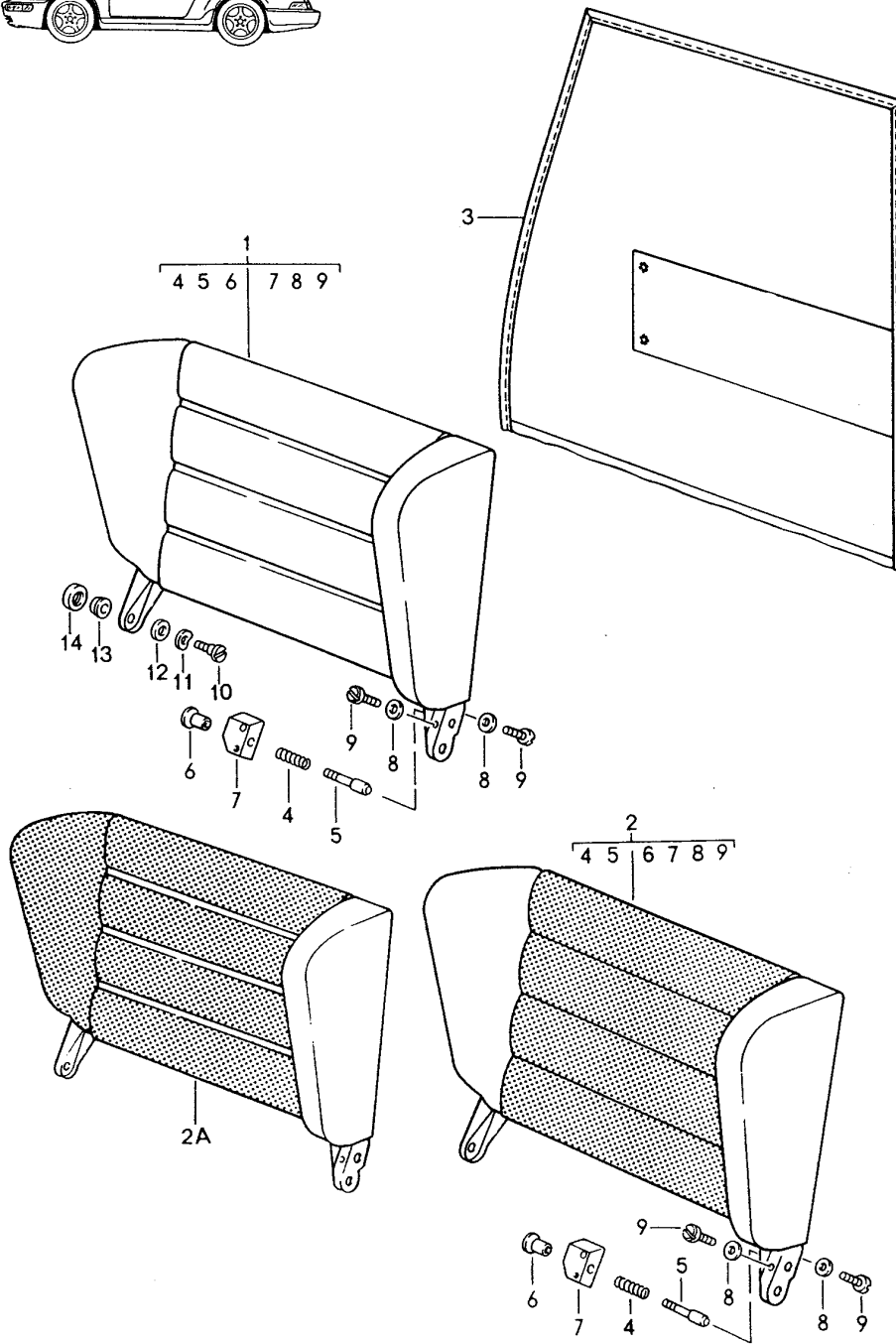
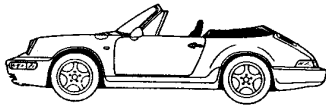
Model: STZ Model life 1985>>1998

Pos	Part Number	Description	Remark	Qty	Model
26	999 703 402 40	Buffer		2	
27	964 522 593 00	Hinge		1	
		Left			
		Outer			
	964 522 593 00 01C	Satin black			
(27)	964 522 594 00	Hinge		1	
		Right			
		Outer			
	964 522 594 00 01C	Satin black			
28	964 522 195 00	Hinge		1	
		Left			
		Inner			
	964 522 195 00 01C	Satin black			
(28)	964 522 196 00	Hinge		1	
		Right			
		Inner			
	964 522 196 00 01C	Satin black			



Model: STZ

Model life 1985>>1998



Model: STZ Model life 1985>>1998

Pos	Part Number	Description	Remark	Qty	Model
		Back seat backrest with Pull-type release Lower	89-91		CABRIO
(1)	964 522 017 62	Back seat backrest Leatherette	/L	1	
	964 522 017 62 43S	Black			
	964 522 017 62 1MX	Mahogany	-90		
	964 522 017 62 1KX	Marine blue			
	964 522 017 62 3MK	Burgundy	-90		
	964 522 017 62 4WX	Linen	-90		
	964 522 017 62 7RT	Cashmere beige			
	964 522 017 62 2WJ	Classic grey	91		
	964 522 017 62 9ZH	Cobalt blue	91		
	964 522 017 62 4WY	Magenta	91		
	964 522 017 62 1ZU	Light grey	91		
1	964 522 018 62	Back seat backrest Leatherette	/R	1	
	964 522 018 62 43S	Black			
	964 522 018 62 1MX	Mahogany	-90		
	964 522 018 62 1KX	Marine blue			
	964 522 018 62 3MK	Burgundy	-90		
	964 522 018 62 4WX	Linen	-90		
	964 522 018 62 7RT	Cashmere beige			
	964 522 018 62 2WJ	Classic grey	91		
	964 522 018 62 9ZH	Cobalt blue	91		
	964 522 018 62 4WY	Magenta	91		
	964 522 018 62 1ZU	Light grey	91		
(1)	964 522 017 63	Back seat backrest Whole-leather	/L	1	
	964 522 017 63 KZ2	Black	-90		
	964 522 017 63 TV1	Mahogany	-90		
	964 522 017 63 TS1	Marine blue	-90		
	964 522 017 63 TW1	Linen	-90		
	964 522 017 63 UD5	Caramel	-90		
	964 522 017 63 LG7	Burgundy	-90		
	964 522 017 63 UD6	Venetian blue	-90		
	964 522 017 63 XN4	Cashmere beige	-90		
	964 522 017 63 XN5	Silk grey	-90		
	964 522 017 63 XN6	Velvet red	-90		
	964 522 017 63 XN7	Slate grey	-90		
	964 522 017 63 8YR	Black	91		
	964 522 017 63 6XL	Classic grey	91		
	964 522 017 63 9YL	Cobalt blue	91		
	964 522 017 63 6YL	Magenta	91		
	964 522 017 63 8ZL	Light grey	91		
	964 522 017 63 4YU	Cashmere beige	91		
	964 522 017 63 M05	Matador red	91		
	964 522 017 63 D35	Carrara grey	91		
	964 522 017 63 J25	Sherwood green	91		
	964 522 017 63 H05	Marine blue	91		
1	964 522 018 63	Back seat backrest Whole-leather	/R	1	
	964 522 018 63 KZ2	Black	-90		
	964 522 018 63 TV1	Mahogany	-90		
	964 522 018 63 TS1	Marine blue	-90		
	964 522 018 63 TW1	Linen	-90		
	964 522 018 63 UD5	Caramel	-90		
	964 522 018 63 LG7	Burgundy	-90		
	964 522 018 63 UD6	Venetian blue	-90		
	964 522 018 63 XN4	Cashmere beige	-90		
	964 522 018 63 XN5	Silk grey	-90		
	964 522 018 63 XN6	Velvet red	-90		

Model: STZ Model life 1985>>1998

Pos	Part Number	Description	Remark	Qty	Model
	964 522 018 63 XN7	Slate grey	-90		
	964 522 018 63 8YR	Black	91		
	964 522 018 63 6XL	Classic grey	91		
	964 522 018 63 9YL	Cobalt blue	91		
	964 522 018 63 6YL	Magenta	91		
	964 522 018 63 8ZL	Light grey	91		
	964 522 018 63 4YU	Cashmere beige	91		
	964 522 018 63 M05	Matador red	91		
	964 522 018 63 D35	Carrara grey	91		
	964 522 018 63 J25	Sherwood green	91		
	964 522 018 63 H05	Marine blue	91		
(1)	964 522 017 65	Back seat backrest Draped leather	/L	1	
	964 522 017 65 KZ2	Black	-90		
	964 522 017 65 TV1	Mahogany	-90		
	964 522 017 65 TS1	Marine blue	-90		
	964 522 017 65 TW1	Linen	-90		
	964 522 017 65 UD5	Caramel	-90		
	964 522 017 65 LG7	Burgundy	-90		
	964 522 017 65 UD6	Venetian blue	-90		
	964 522 017 65 XN4	Cashmere beige	-90		
	964 522 017 65 XN5	Silk grey	-90		
	964 522 017 65 XN6	Velvet red	-90		
	964 522 017 65 XN7	Slate grey	-90		
	964 522 017 65 8YR	Black	91		
	964 522 017 65 6XL	Classic grey	91		
	964 522 017 65 9YL	Cobalt blue	91		
	964 522 017 65 6YL	Magenta	91		
	964 522 017 65 8ZL	Light grey	91		
	964 522 017 65 4YU	Cashmere beige	91		
	964 522 017 65 M05	Matador red	91		
	964 522 017 65 D35	Carrara grey	91		
	964 522 017 65 J25	Sherwood green	91		
	964 522 017 65 H05	Marine blue	91		
1	964 522 018 65	Back seat backrest Draped leather	/R	1	
	964 522 018 65 KZ2	Black	-90		
	964 522 018 65 TV1	Mahogany	-90		
	964 522 018 65 TS1	Marine blue	-90		
	964 522 018 65 TW1	Linen	-90		
	964 522 018 65 UD5	Caramel	-90		
	964 522 018 65 LG7	Burgundy	-90		
	964 522 018 65 UD6	Venetian blue	-90		
	964 522 018 65 XN4	Cashmere beige	-90		
	964 522 018 65 XN5	Silk grey	-90		
	964 522 018 65 XN6	Velvet red	-90		
	964 522 018 65 XN7	Slate grey	-90		
	964 522 018 65 8YR	Black	91		
	964 522 018 65 6XL	Classic grey	91		
	964 522 018 65 9YL	Cobalt blue	91		
	964 522 018 65 6YL	Magenta	91		
	964 522 018 65 8ZL	Light grey	91		
	964 522 018 65 4YU	Cashmere beige	91		
	964 522 018 65 M05	Matador red	91		
	964 522 018 65 D35	Carrara grey	91		
	964 522 018 65 J25	Sherwood green	91		
	964 522 018 65 H05	Marine blue	91		
(2)	964 522 017 61	Back seat backrest Leatherette/ Centre part Porsche lettering cloth	/L	1	
	964 522 017 61 PZ7	Black/black			
	964 522 017 61 TU6	Mahogany/mahogany	-90		

Model: STZ Model life 1985>>1998

Pos	Part Number	Description	Remark	Qty	Model
	964 522 017 61 TR6	Marine blue/blue			
	964 522 017 61 QA1	Burgundy/burgundy	-90		
	964 522 017 61 XH4	Linen/linen	-90		
	964 522 017 61 XH8	Cashmere beige/cash. beige			
	964 522 017 61 APA	Classic grey/classic grey	91		
	964 522 017 61 ARA	Cobalt blue/cobalt blue	91		
	964 522 017 61 ASA	Magenta/Magenta	91		
	964 522 017 61 AQA	Light grey/light grey	91		
2	964 522 018 61	Back seat backrest Leatherette/ Centre part Porsche lettering cloth	/R	1	
	964 522 018 61 PZ7	Black/black			
	964 522 018 61 TU6	Mahogany/mahogany	-90		
	964 522 018 61 TR6	Marine blue/blue			
	964 522 018 61 QA1	Burgundy/burgundy	-90		
	964 522 018 61 XH4	Linen/linen	-90		
	964 522 018 61 XH8	Cashmere beige/cash. beige			
	964 522 018 61 APA	Classic grey/classic grey	91		
	964 522 018 61 ARA	Cobalt blue/cobalt blue	91		
	964 522 018 61 ASA	Magenta/Magenta	91		
	964 522 018 61 AQA	Light grey/light grey	91		
(2)	964 522 017 61	Back seat backrest Leatherette/ Centre part in cloth Pin stripe velour	/L	1	
	964 522 017 61 JN1	Black/ Black-white	-90		
	964 522 017 61 TU4	Mahogany/ Mahogany-white	-90		
	964 522 017 61 TR4	Blue/ Blue-white	-90		
	964 522 017 61 LT2	Burgundy/ Burgundy-white	-90		
	964 522 017 61 XH2	Linen/ Linen white	-90		
	964 522 017 61 XH7	Cashmere beige/ Cashmere beige-white	89-		
2	964 522 018 61	Back seat backrest Leatherette/ Centre part in cloth Pin stripe velour	/R	1	
	964 522 018 61 JN1	Black/ Black-white	-90		
	964 522 018 61 TU4	Mahogany/ Mahogany-white	-90		
	964 522 018 61 TR4	Blue/ Blue-white	-90		
	964 522 018 61 LT2	Burgundy/ Burgundy-white	-90		
	964 522 018 61 XH2	Linen/ Linen white	-90		
	964 522 018 61 XH7	Cashmere beige/ Cashmere beige-white	89-		
(2)	964 522 017 61	Back seat backrest Leatherette/ Centre part in cloth Multicolour	/L	1	
	964 522 017 61 XJ2	Black/black	89-		
	964 522 017 61 XJ3	Mahogany/mahogany	-90		
	964 522 017 61 XJ5	Marine blue/marine blue			
	964 522 017 61 XJ7	Burgundy/burgundy	-90		
	964 522 017 61 XH6	Linen/linen	-90		

Model: STZ Model life 1985>>1998

Pos	Part Number	Description	Remark	Qty	Model
	964 522 017 61 XH9	Cashmere beige/cash. beige			
	964 522 017 61 APF	Classic grey/classic grey	91		
	964 522 017 61 ARF	Cobalt blue/cobalt blue	91		
	964 522 017 61 ASF	Magenta/Magenta	91		
	964 522 017 61 AQF	Light grey/light grey	91		
2	964 522 018 61	Back seat backrest Leatherette/ Centre part in cloth Multicolour	/R  89-	1	
	964 522 018 61 XJ2	Black/black			
	964 522 018 61 XJ3	Mahogany/mahogany	-90		
	964 522 018 61 XJ5	Marine blue/marine blue			
	964 522 018 61 XJ7	Burgundy/burgundy	-90		
	964 522 018 61 XH6	Linen/linen	-90		
	964 522 018 61 XH9	Cashmere beige/cash. beige			
	964 522 018 61 APF	Classic grey/classic grey	91		
	964 522 018 61 ARF	Cobalt blue/cobalt blue	91		
	964 522 018 61 ASF	Magenta/Magenta	91		
	964 522 018 61 AQF	Light grey/light grey	91		
(2)	964 522 017 64	Back seat backrest Leather/ Centre part in cloth Pin stripe velour	/L	1	
	964 522 017 64 LS5	Black/ Black-white	-90		
	964 522 017 64 TU1	Mahogany/ Mahogany-white	-90		
	964 522 017 64 TR1	Blue/ Blue-white	-90		
	964 522 017 64 LS9	Burgundy/ Burgundy-white	-90		
	964 522 017 64 XF5	Linen/ Linen white	89-90		
	964 522 017 64 XF8	Cashmere beige/ Cashmere beige-white	89-90		
2	964 522 018 64	Back seat backrest Leather/ Centre part in cloth Pin stripe velour	/R	1	
	964 522 018 64 LS5	Black/ Black-white	-90		
	964 522 018 64 TU1	Mahogany/ Mahogany-white	-90		
	964 522 018 64 TR1	Blue/ Blue-white	-90		
	964 522 018 64 LS9	Burgundy/ Burgundy-white	-90		
	964 522 018 64 XF5	Linen/ Linen white	89-90		
	964 522 018 64 XF8	Cashmere beige/ Cashmere beige-white	89-90		
(2)	964 522 017 64	Back seat backrest Leather/ Centre part in cloth Multicolour	/L  89-	1	
	964 522 017 64 XG6	Black/black	-90		
	964 522 017 64 XG7	Mahogany/mahogany	-90		
	964 522 017 64 XG8	Marine blue/marine blue	-90		
	964 522 017 64 XG9	Burgundy/burgundy	-90		
	964 522 017 64 XF7	Linen/linen	-90		
	964 522 017 64 XG5	Cashmere beige/cash. beige	-90		
	964 522 017 64 ATJ	Black/black	91		
	964 522 017 64 AQT	Classic grey/classic grey	91		

Model: STZ Model life 1985>>1998

Pos	Part Number	Description	Remark	Qty	Model
	964 522 017 64 AQU	Cobalt blue/cobalt blue	91		
	964 522 017 64 ASJ	Magenta/Magenta	91		
	964 522 017 64 AQJ	Light grey/light grey	91		
	964 522 017 64 ATW	Cashmere beige/cash. beige	91		
	964 522 017 64 BQJ	Marine blue/marine blue	91		
2	964 522 018 64	Back seat backrest Leather/ Centre part in cloth Multicolour	/R  89-	1	
	964 522 018 64 XG6	Black/black	-90		
	964 522 018 64 XG7	Mahogany/mahogany	-90		
	964 522 018 64 XG8	Marine blue/marine blue	-90		
	964 522 018 64 XG9	Burgundy/burgundy	-90		
	964 522 018 64 XF7	Linen/linen	-90		
	964 522 018 64 XG5	Cashmere beige/cash. beige	-90		
	964 522 018 64 ATJ	Black/black	91		
	964 522 018 64 AQT	Classic grey/classic grey	91		
	964 522 018 64 AQU	Cobalt blue/cobalt blue	91		
	964 522 018 64 ASJ	Magenta/Magenta	91		
	964 522 018 64 AQJ	Light grey/light grey	91		
	964 522 018 64 ATW	Cashmere beige/cash. beige	91		
	964 522 018 64 BQJ	Marine blue/marine blue	91		
(2)	964 522 017 64	Back seat backrest Leather/ Centre part Porsche lettering cloth	/L   -90	1	
	964 522 017 64 QB2	Black/black	-90		
	964 522 017 64 TU3	Mahogany/mahogany	-90		
	964 522 017 64 TR3	Marine blue/blue	-90		
	964 522 017 64 QB8	Burgundy/burgundy	-90		
	964 522 017 64 XF6	Linen/linen	-90		
	964 522 017 64 XF9	Cashmere beige/cash. beige	-90		
	964 522 017 64 ATD	Black/black	91		
	964 522 017 64 APG	Classic grey/classic grey	91		
	964 522 017 64 ARG	Cobalt blue/cobalt blue	91		
	964 522 017 64 ASG	Magenta/Magenta	91		
	964 522 017 64 AQG	Light grey/light grey	91		
	964 522 017 64 ATU	Cashmere beige/cash. beige	91		
	964 522 017 64 BQL	Marine blue/blue	91		
2	964 522 018 64	Back seat backrest Leather/ Centre part Porsche lettering cloth	/R   -90	1	
	964 522 018 64 QB2	Black/black	-90		
	964 522 018 64 TU3	Mahogany/mahogany	-90		
	964 522 018 64 TR3	Marine blue/blue	-90		
	964 522 018 64 QB8	Burgundy/burgundy	-90		
	964 522 018 64 XF6	Linen/linen	-90		
	964 522 018 64 XF9	Cashmere beige/cash. beige	-90		
	964 522 018 64 ATD	Black/black	91		
	964 522 018 64 APG	Classic grey/classic grey	91		
	964 522 018 64 ARG	Cobalt blue/cobalt blue	91		
	964 522 018 64 ASG	Magenta/Magenta	91		
	964 522 018 64 AQG	Light grey/light grey	91		
	964 522 018 64 ATU	Cashmere beige/cash. beige	91		
	964 522 018 64 BQL	Marine blue/blue	91		
(2A)	964 522 017 60	Back seat backrest Leatherette/ Backrest surface Pin stripe velour	/L   -90	1	
	964 522 017 60 NY5	Black/ Black-white	-90		
	964 522 017 60 TU7	Mahogany/	-90		

Model: STZ Model life 1985>>1998

Pos	Part Number	Description	Remark	Qty	Model
	964 522 017 60 TR7	Mahogany-white Blue/ Blue-white	-90		
	964 522 017 60 NY8	Burgundy/ Burgundy-white	-90		
	964 522 017 60 XK2	Linen/ Linen white	-90		
	964 522 017 60 XK5	Cashmere beige/ Cashmere beige-white	-90		
2A	964 522 018 60	Back seat backrest Leatherette/ Backrest surface Pin stripe velour	/R	1	
	964 522 018 60 NY5	Black/ Black-white	-90		
	964 522 018 60 TU7	Mahogany/ Mahogany-white	-90		
	964 522 018 60 TR7	Blue/ Blue-white	-90		
	964 522 018 60 NY8	Burgundy/ Burgundy-white	-90		
	964 522 018 60 XK2	Linen/ Linen white	-90		
	964 522 018 60 XK5	Cashmere beige/ Cashmere beige-white	-90		
(2A)	964 522 017 60	Back seat backrest Leatherette/ Backrest surface Multicolour	/L	1	
	964 522 017 60 XK8	Black/black			
	964 522 017 60 XK9	Mahogany/mahogany	-90		
	964 522 017 60 XN1	Marine blue/marine blue			
	964 522 017 60 XN2	Burgundy/burgundy	-90		
	964 522 017 60 XK4	Linen/linen	-90		
	964 522 017 60 XK7	Cashmere beige/cash. beige			
	964 522 017 60 AQP	Classic grey/classic grey	91		
	964 522 017 60 AQV	Cobalt blue/cobalt blue	91		
	964 522 017 60 ASN	Magenta/Magenta	91		
	964 522 017 60 AQN	Light grey/light grey	91		
2A	964 522 018 60	Back seat backrest Leatherette/ Backrest surface Multicolour	/R	1	
	964 522 018 60 XK8	Black/black			
	964 522 018 60 XK9	Mahogany/mahogany	-90		
	964 522 018 60 XN1	Marine blue/marine blue			
	964 522 018 60 XN2	Burgundy/burgundy	-90		
	964 522 018 60 XK4	Linen/linen	-90		
	964 522 018 60 XK7	Cashmere beige/cash. beige			
	964 522 018 60 AQP	Classic grey/classic grey	91		
	964 522 018 60 AQV	Cobalt blue/cobalt blue	91		
	964 522 018 60 ASN	Magenta/Magenta	91		
	964 522 018 60 AQN	Light grey/light grey	91		
(2A)	964 522 017 60	Back seat backrest Leatherette/ Backrest surface Porsche lettering cloth	/L	1	
	964 522 017 60 PX2	Black/black			
	964 522 017 60 TU9	Mahogany/mahogany	-90		
	964 522 017 60 TR9	Marine blue/blue			
	964 522 017 60 PX6	Burgundy/burgundy	-90		
	964 522 017 60 XK3	Linen/linen	-90		
	964 522 017 60 XK6	Cashmere beige/cash. beige			

Model: STZ Model life 1985>>1998

Pos	Part Number	Description	Remark	Qty	Model			
2A	964 522 017 60 APM	Classic grey/classic grey	91	1				
	964 522 017 60 ARM	Cobalt blue/cobalt blue	91					
	964 522 017 60 ASM	Magenta/Magenta	91					
	964 522 017 60 AQM	Light grey/light grey	91					
	964 522 018 60	Back seat backrest Leatherette/ Backrest surface Porsche lettering cloth	/R					
	964 522 018 60 PX2	Black/black						
	964 522 018 60 TU9	Mahogany/mahogany	-90					
	964 522 018 60 TR9	Marine blue/blue						
	964 522 018 60 PX6	Burgundy/burgundy	-90					
	964 522 018 60 XK3	Linen/linen	-90					
(3)	964 522 018 60 XK6	Cashmere beige/cash. beige		1				
	964 522 018 60 APM	Classic grey/classic grey	91					
	964 522 018 60 ARM	Cobalt blue/cobalt blue	91					
	964 522 018 60 ASM	Magenta/Magenta	91					
	964 522 018 60 AQM	Light grey/light grey	91					
	964 522 173 61	Carpet for Back seat backrest	/L					
	964 522 173 61 5FV	Black						
	964 522 173 61 5MF	Mahogany	-90					
	964 522 173 61 7VT	Silk grey	-90					
	964 522 173 61 4KV	Marine blue						
3	964 522 173 61 8MD	Burgundy	-90	1				
	964 522 173 61 2XF	Linen	-90					
	964 522 173 61 8UT	Cashmere beige	89-					
	964 522 173 61 4XR	Classic grey	91					
	964 522 173 61 4ZN	Cobalt blue	91					
	964 522 173 61 8WZ	Magenta	91					
	964 522 173 61 6YR	Light grey	91					
	964 522 173 61 M33	Matador red	91					
	964 522 173 61 D13	Carrara grey	91					
	964 522 173 61 J23	Sherwood green	91					
-	964 522 174 61	Carpet for Back seat backrest	/R	1				
	964 522 174 61 5FV	Black						
	964 522 174 61 5MF	Mahogany	-90					
	964 522 174 61 7VT	Silk grey	-90					
	964 522 174 61 4KV	Marine blue						
	964 522 174 61 8MD	Burgundy	-90					
	964 522 174 61 2XF	Linen	-90					
	964 522 174 61 8UT	Cashmere beige	89-					
	964 522 174 61 4XR	Classic grey	91					
	964 522 174 61 4ZN	Cobalt blue	91					
-	964 522 174 61 8WZ	Magenta	91	2				
	964 522 174 61 6YR	Light grey	91					
	964 522 174 61 M33	Matador red	91					
	964 522 174 61 D13	Carrara grey	91					
	964 522 174 61 J23	Sherwood green	91					
	911 522 065 00	Retaining strap						
	911 522 065 00 70A	Black						
	4	911 522 233 00	Spring				2	
	5	911 522 229 01	Bolt				2	
	6	911 522 231 00	Knob				2	
(7)	911 522 227 01	Bearing	/L	1				
7	911 522 228 01	Bearing	/R	1				
8	999 523 106 02	Lock washer B 5		4				
9	N 014 133 8	Oval-head screw M 5 X 12		4				



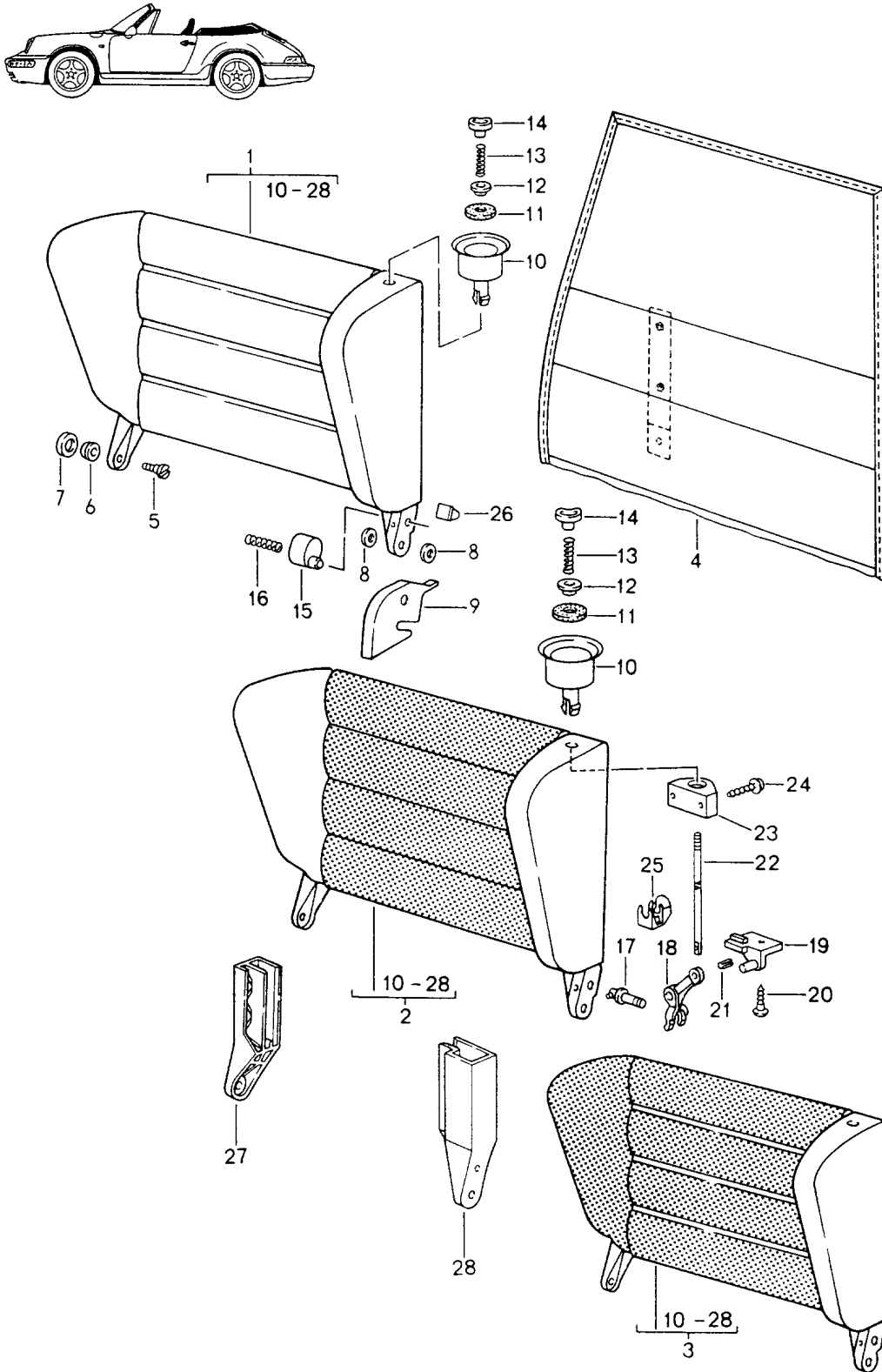
Model: STZ

Model life 1985&gt;&gt;1998

Pos	Part Number	Description	Remark	Qty	Model
10	900 236 001 07	Oval-head screw M 8 X 10		2	
10	900 236 001 03	Oval-head screw M 8 X 10		2	
11	N 012 230 1	Spring washer B 10		2	
12	911 559 435 00	Spacer		4	
13	901 522 509 20	Bearing sleeve		2	
14	901 522 365 20	Cap		2	

Model: STZ

Model life 1985>>1998



Model: STZ Model life 1985>>1998

Pos	Part Number	Description	Remark	Qty	Model
		Back seat backrest with Release button Upper	91-94		CABRIO TURBO-LOOK M491
(1)	964 522 017 68	Back seat backrest Leatherette	/L	1	
	964 522 017 68 43S	Black			
	964 522 017 68 2WJ	Classic grey			
	964 522 017 68 9ZH	Cobalt blue			
	964 522 017 68 4WY	Magenta			
	964 522 017 68 1ZU	Light grey			
	964 522 017 68 7RT	Cashmere beige			
	964 522 017 68 1KX	Marine blue			
1	964 522 018 68	Back seat backrest Leatherette	/R	1	
	964 522 018 68 43S	Black			
	964 522 018 68 2WJ	Classic grey			
	964 522 018 68 9ZH	Cobalt blue			
	964 522 018 68 4WY	Magenta			
	964 522 018 68 1ZU	Light grey			
	964 522 018 68 7RT	Cashmere beige			
	964 522 018 68 1KX	Marine blue			
(1)	964 522 017 69	Back seat backrest Whole-leather	/L	1	
	964 522 017 69 8YR	Black			
	964 522 017 69 6XL	Classic grey			
	964 522 017 69 9YL	Cobalt blue			
	964 522 017 69 6YL	Magenta			
	964 522 017 69 8ZL	Light grey			
	964 522 017 69 4YU	Cashmere beige			
	964 522 017 69 M05	Matador red			
	964 522 017 69 D35	Carrara grey			
	964 522 017 69 J25	Sherwood green			
	964 522 017 69 H05	Marine blue			
1	964 522 018 69	Back seat backrest Whole-leather	/R	1	
	964 522 018 69 8YR	Black			
	964 522 018 69 6XL	Classic grey			
	964 522 018 69 9YL	Cobalt blue			
	964 522 018 69 6YL	Magenta			
	964 522 018 69 8ZL	Light grey			
	964 522 018 69 4YU	Cashmere beige			
	964 522 018 69 M05	Matador red			
	964 522 018 69 D35	Carrara grey			
	964 522 018 69 J25	Sherwood green			
	964 522 018 69 H05	Marine blue			
(1)	964 522 017 71	Back seat backrest Draped leather	/L	1	
	964 522 017 71 8YR	Black			
	964 522 017 71 6XL	Classic grey			
	964 522 017 71 9YL	Cobalt blue			
	964 522 017 71 6YL	Magenta			
	964 522 017 71 8ZL	Light grey			
	964 522 017 71 4YU	Cashmere beige			
	964 522 017 71 M05	Matador red			
	964 522 017 71 D35	Carrara grey			
	964 522 017 71 J25	Sherwood green			
	964 522 017 71 H05	Marine blue			
1	964 522 018 71	Back seat backrest Draped leather	/R	1	
	964 522 018 71 8YR	Black			
	964 522 018 71 6XL	Classic grey			
	964 522 018 71 9YL	Cobalt blue			

Model: STZ Model life 1985>>1998

Pos	Part Number	Description	Remark	Qty	Model
	964 522 018 71 6YL	Magenta			
	964 522 018 71 8ZL	Light grey			
	964 522 018 71 4YU	Cashmere beige			
	964 522 018 71 M05	Matador red			
	964 522 018 71 D35	Carrara grey			
	964 522 018 71 J25	Sherwood green			
	964 522 018 71 H05	Marine blue			
(1)	964 522 017 69	Back seat backrest Whole-leather	/L 92	1	TURBO-LOOK
	964 522 017 69 BQZ	Rhodamine			
	964 522 017 69 BQY	Wimbledon green			
	964 522 017 69 BQX	Florentine grey			
1	964 522 018 69	Back seat backrest Whole-leather	/R 92	1	TURBO-LOOK
	964 522 018 69 BQZ	Rhodamine			
	964 522 018 69 BQY	Wimbledon green			
	964 522 018 69 BQX	Florentine grey			
(1)	964 522 017 71	Back seat backrest Draped leather	/L 92	1	TURBO-LOOK
	964 522 017 71 BQZ	Rhodamine			
	964 522 017 71 BQY	Wimbledon green			
	964 522 017 71 BQX	Florentine grey			
1	964 522 018 71	Back seat backrest Draped leather	/R 92	1	TURBO-LOOK
	964 522 018 71 BQZ	Rhodamine			
	964 522 018 71 BQY	Wimbledon green			
	964 522 018 71 BQX	Florentine grey			
(2)	964 522 017 67	Back seat backrest Leatherette/ Centre part in cloth Multicolour	/L	1	
	964 522 017 67 XJ2	Black/black			
	964 522 017 67 APF	Classic grey/classic grey			
	964 522 017 67 ARF	Cobalt blue/cobalt blue			
	964 522 017 67 ASF	Magenta/Magenta			
	964 522 017 67 AQF	Light grey/light grey			
	964 522 017 67 XH9	Cashmere beige/cash. beige			
	964 522 017 67 XJ5	Marine blue/marine blue			
2	964 522 018 67	Back seat backrest Leatherette/ Centre part in cloth Multicolour	/R	1	
	964 522 018 67 XJ2	Black/black			
	964 522 018 67 APF	Classic grey/classic grey			
	964 522 018 67 ARF	Cobalt blue/cobalt blue			
	964 522 018 67 ASF	Magenta/Magenta			
	964 522 018 67 AQF	Light grey/light grey			
	964 522 018 67 XH9	Cashmere beige/cash. beige			
	964 522 018 67 XJ5	Marine blue/marine blue			
(2)	964 522 017 67	Back seat backrest Leatherette/ Centre part Porsche lettering cloth	/L	1	
	964 522 017 67 PZ7	Black/black			
	964 522 017 67 APA	Classic grey/classic grey			
	964 522 017 67 ARA	Cobalt blue/cobalt blue			
	964 522 017 67 ASA	Magenta/Magenta			
	964 522 017 67 AQA	Light grey/light grey			
	964 522 017 67 XH8	Cashmere beige/cash. beige			
	964 522 017 67 TR6	Marine blue/blue			
2	964 522 018 67	Back seat backrest Leatherette/ Centre part	/R	1	

Model: STZ Model life 1985>>1998

Pos	Part Number	Description	Remark	Qty	Model
	964 522 018 67 PZ7	Porsche lettering cloth Black/black			
	964 522 018 67 APA	Classic grey/classic grey			
	964 522 018 67 ARA	Cobalt blue/cobalt blue			
	964 522 018 67 ASA	Magenta/Magenta			
	964 522 018 67 AQA	Light grey/light grey			
	964 522 018 67 XH8	Cashmere beige/cash. beige			
(2)	964 522 018 67 TR6	Marine blue/blue			
	964 522 017 70	Back seat backrest Leather/ Centre part in cloth Multicolour	/L	1	
	964 522 017 70 ATJ	Black/black			
	964 522 017 70 AQT	Classic grey/classic grey			
	964 522 017 70 AQU	Cobalt blue/cobalt blue			
	964 522 017 70 ASJ	Magenta/Magenta			
	964 522 017 70 AQJ	Light grey/light grey			
	964 522 017 70 ATW	Cashmere beige/cash. beige			
2	964 522 017 70 BQJ	Marine blue/marine blue			
	964 522 018 70	Back seat backrest Leather/ Centre part in cloth Multicolour	/R	1	
	964 522 018 70 ATJ	Black/black			
	964 522 018 70 AQT	Classic grey/classic grey			
	964 522 018 70 AQU	Cobalt blue/cobalt blue			
	964 522 018 70 ASJ	Magenta/Magenta			
	964 522 018 70 AQJ	Light grey/light grey			
	964 522 018 70 ATW	Cashmere beige/cash. beige			
(2)	964 522 018 70 BQJ	Marine blue/marine blue			
	964 522 017 70	Back seat backrest Leather/ Centre part Porsche lettering cloth	/L	1	
	964 522 017 70 ATD	Black/black			
	964 522 017 70 APG	Classic grey/classic grey			
	964 522 017 70 ARG	Cobalt blue/cobalt blue			
	964 522 017 70 ASG	Magenta/Magenta			
	964 522 017 70 AQG	Light grey/light grey			
	964 522 017 70 ATU	Cashmere beige/cash. beige			
2	964 522 017 70 BQL	Marine blue/blue			
	964 522 018 70	Back seat backrest Leather/ Centre part Porsche lettering cloth	/R	1	
	964 522 018 70 ATD	Black/black			
	964 522 018 70 APG	Classic grey/classic grey			
	964 522 018 70 ARG	Cobalt blue/cobalt blue			
	964 522 018 70 ASG	Magenta/Magenta			
	964 522 018 70 AQG	Light grey/light grey			
	964 522 018 70 ATU	Cashmere beige/cash. beige			
(3)	964 522 018 70 BQL	Marine blue/blue			
	964 522 017 66	Back seat backrest Leatherette/ Backrest surface Multicolour	/L	1	
	964 522 017 66 XK8	Black/black			
	964 522 017 66 AQP	Classic grey/classic grey			
	964 522 017 66 AQP	Cobalt blue/cobalt blue			
	964 522 017 66 ASN	Magenta/Magenta			
	964 522 017 66 AQN	Light grey/light grey			
	964 522 017 66 XK7	Cashmere beige/cash. beige			
	964 522 017 66 XN1	Marine blue/marine blue			

Model: STZ Model life 1985>>1998

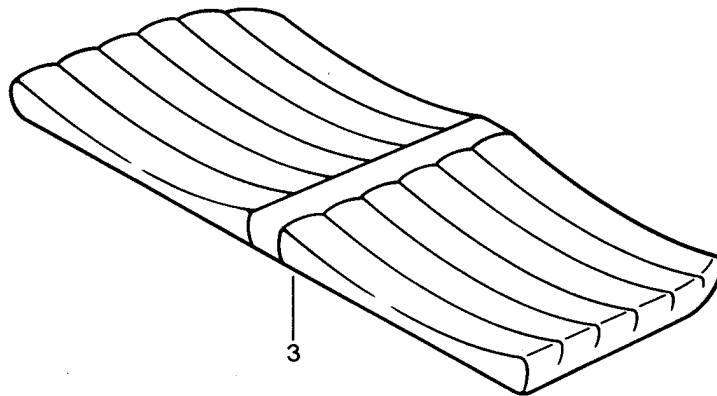
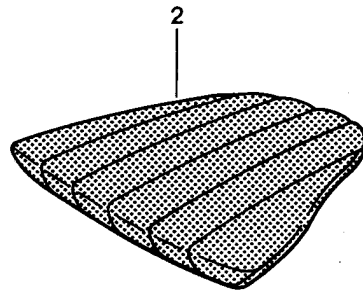
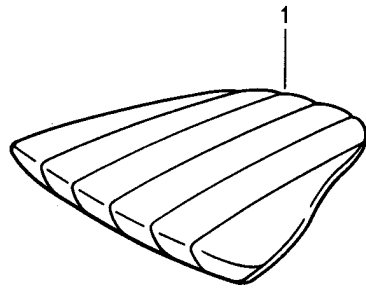
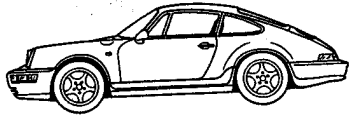
Pos	Part Number	Description	Remark	Qty	Model
3	964 522 018 66	Back seat backrest Leatherette/ Backrest surface Multicolour	/R	1	
	964 522 018 66 XK8	Black/black			
	964 522 018 66 AQP	Classic grey/classic grey			
	964 522 018 66 AQP	Cobalt blue/cobalt blue			
	964 522 018 66 ASN	Magenta/Magenta			
	964 522 018 66 AQN	Light grey/light grey			
	964 522 018 66 XK7	Cashmere beige/cash. beige			
	964 522 018 66 XN1	Marine blue/marine blue			
(3)	964 522 017 66	Back seat backrest Leatherette/ Backrest surface Porsche lettering cloth	/L	1	
	964 522 017 66 PX2	Black/black			
	964 522 017 66 APM	Classic grey/classic grey			
	964 522 017 66 ARM	Cobalt blue/cobalt blue			
	964 522 017 66 ASM	Magenta/Magenta			
	964 522 017 66 AQM	Light grey/light grey			
	964 522 017 66 XK6	Cashmere beige/cash. beige			
	964 522 017 66 TR9	Marine blue/blue			
3	964 522 018 66	Back seat backrest Leatherette/ Backrest surface Porsche lettering cloth	/R	1	
	964 522 018 66 PX2	Black/black			
	964 522 018 66 APM	Classic grey/classic grey			
	964 522 018 66 ARM	Cobalt blue/cobalt blue			
	964 522 018 66 ASM	Magenta/Magenta			
	964 522 018 66 AQM	Light grey/light grey			
	964 522 018 66 XK6	Cashmere beige/cash. beige			
	964 522 018 66 TR9	Marine blue/blue			
(4)	964 522 173 61	Carpet for Back seat backrest	/L	1	
	964 522 173 61 5FV	Black			
	964 522 173 61 4XR	Classic grey			
	964 522 173 61 4ZN	Cobalt blue			
	964 522 173 61 8WZ	Magenta			
	964 522 173 61 6YR	Light grey			
	964 522 173 61 8UT	Cashmere beige			
	964 522 173 61 M33	Matador red			
	964 522 173 61 D13	Carrara grey			
	964 522 173 61 J23	Sherwood green			
	964 522 173 61 4KV	Marine blue			
	964 522 173 61 M10	Rhodamine	92		TURBO-LOOK
	964 522 173 61 K20	Wimbledon green	92		TURBO-LOOK
	964 522 173 61 D50	Florentine grey	92		TURBO-LOOK
4	964 522 174 61	Carpet for Back seat backrest	/R	1	
	964 522 174 61 5FV	Black			
	964 522 174 61 4XR	Classic grey			
	964 522 174 61 4ZN	Cobalt blue			
	964 522 174 61 8WZ	Magenta			
	964 522 174 61 6YR	Light grey			
	964 522 174 61 8UT	Cashmere beige			
	964 522 174 61 M33	Matador red			
	964 522 174 61 D13	Carrara grey			
	964 522 174 61 J23	Sherwood green			
	964 522 174 61 4KV	Marine blue			
	964 522 174 61 M10	Rhodamine	92		TURBO-LOOK

Model: STZ Model life 1985>>1998

Pos	Part Number	Description	Remark	Qty	Model
	964 522 174 61 K20	Wimbledon green	92		TURBO-LOOK
	964 522 174 61 D50	Florentine grey	92		TURBO-LOOK
-	911 522 065 00	Retaining strap		2	
	911 522 065 00 70A	Black			
5	900 236 001 07	Oval-head screw M 8 X 10		2	
5	900 236 001 03	Oval-head screw M 8 X 10		2	
6	901 522 509 20	Bearing sleeve		2	
7	901 522 365 20	Cap		2	
8	999 704 160 40	Rubber washer		4	
9	964 522 517 00	Cover		1	
	964 522 517 00 01C	Satin black			
10	944 522 315 00	Rosette		2	
	944 522 315 00 01C	Satin black			
11	944 522 319 00	Guide piece		2	
12	964 522 363 00	Washer		2	
13	999 521 068 07	Compression spring	92-	2	
14	944 522 317 00	Push button		2	
	944 522 317 00 01C	Satin black			
15	964 522 197 00	Bolt		2	
16	964 803 659 00	Compression spring		2	
17	964 522 199 00	Control lever		2	
18	964 522 603 01	Reverse lever		2	
(19)	964 522 601 01	Bearing	/L	1	
19	964 522 602 01	Bearing	/R	1	
20	900 316 008 02	Screw 3,5 X 22		2	
21	900 095 126 01	Roll pin 2,5 X 5		2	
21	900 095 126 0B	Roll pin 2,5 X 5		2	
22	964 522 701 60	Operating rod		2	
23	964 522 721 00	Bearing		2	
24	999 919 065 07	Combination screw 5 X 20		4	
25	964 522 605 00	Torsion protection		2	
26	999 703 401 40	Rubber buffer		2	
27	964 522 593 00	Hinge Left Outer		1	
	964 522 593 00 01C	Satin black			
(27)	964 522 594 00	Hinge Right Outer		1	
	964 522 594 00 01C	Satin black			
28	964 522 195 00	Hinge Left Inner		1	
	964 522 195 00 01C	Satin black			
(28)	964 522 196 00	Hinge Right Inner		1	
	964 522 196 00 01C	Satin black			

Model: STZ

Model life 1985>>1998





Model: STZ Model life 1985>>1998

Pos	Part Number	Description	Remark	Qty	Model
		Back seat cushion	89-94		CARRERA 2/4 TURBO/LOOK CABRIO
1	964 522 051 01	Back seat cushion Leatherette	/L	1	
	964 522 051 01 3MK	Burgundy	-90		
	964 522 051 01 1MX	Mahogany	-90		
	964 522 051 01 43S	Black			
	964 522 051 01 1KX	Marine blue			
	964 522 051 01 4WX	Linen	-90		
	964 522 051 01 7RT	Cashmere beige			
	964 522 051 01 2WJ	Classic grey	91-		
	964 522 051 01 9ZH	Cobalt blue	91-		
	964 522 051 01 4WY	Magenta	91-		
	964 522 051 01 1ZU	Light grey	91-		
(1)	964 522 052 01	Back seat cushion Leatherette	/R	1	
	964 522 052 01 3MK	Burgundy	-90		
	964 522 052 01 1MX	Mahogany	-90		
	964 522 052 01 43S	Black			
	964 522 052 01 1KX	Marine blue			
	964 522 052 01 4WX	Linen	-90		
	964 522 052 01 7RT	Cashmere beige			
	964 522 052 01 2WJ	Classic grey	91-		
	964 522 052 01 9ZH	Cobalt blue	91-		
	964 522 052 01 4WY	Magenta	91-		
	964 522 052 01 1ZU	Light grey	91-		
1	964 522 051 02	Back seat cushion Whole-leather	/L	1	
	964 522 051 02 KZ2	Black	-90		
	964 522 051 02 TV1	Mahogany	-90		
	964 522 051 02 TS1	Marine blue	-90		
	964 522 051 02 LG7	Burgundy	-90		
	964 522 051 02 TW1	Linen	-90		
	964 522 051 02 UD5	Caramel	-90		
	964 522 051 02 UD6	Venetian blue	-90		
	964 522 051 02 XN4	Cashmere beige	-90		
	964 522 051 02 XN5	Silk grey	-90		
	964 522 051 02 XN6	Velvet red	-90		
	964 522 051 02 XN7	Slate grey	-90		
	964 522 051 02 8YR	Black	91-		
	964 522 051 02 6XL	Classic grey	91-		
	964 522 051 02 9YL	Cobalt blue	91-		
	964 522 051 02 6YL	Magenta	91-		
	964 522 051 02 8ZL	Light grey	91-		
	964 522 051 02 4YU	Cashmere beige	91-		
	964 522 051 02 H05	Marine blue	91-		
	964 522 051 02 M05	Matador red	91-		
	964 522 051 02 D35	Carrara grey	91-		
	964 522 051 02 J25	Sherwood green	91-		
(1)	964 522 052 02	Back seat cushion Whole-leather	/R	1	
	964 522 052 02 KZ2	Black	-90		
	964 522 052 02 TV1	Mahogany	-90		
	964 522 052 02 TS1	Marine blue	-90		
	964 522 052 02 LG7	Burgundy	-90		
	964 522 052 02 TW1	Linen	-90		
	964 522 052 02 UD5	Caramel	-90		
	964 522 052 02 UD6	Venetian blue	-90		
	964 522 052 02 XN4	Cashmere beige	-90		
	964 522 052 02 XN5	Silk grey	-90		
	964 522 052 02 XN6	Velvet red	-90		
	964 522 052 02 XN7	Slate grey	-90		

Model: STZ Model life 1985>>1998

Pos	Part Number	Description	Remark	Qty	Model
	964 522 052 02 8YR	Black	91-		
	964 522 052 02 6XL	Classic grey	91-		
	964 522 052 02 9YL	Cobalt blue	91-		
	964 522 052 02 6YL	Magenta	91-		
	964 522 052 02 8ZL	Light grey	91-		
	964 522 052 02 4YU	Cashmere beige	91-		
	964 522 052 02 H05	Marine blue	91-		
	964 522 052 02 M05	Matador red	91-		
	964 522 052 02 D35	Carrara grey	91-		
	964 522 052 02 J25	Sherwood green	91-		
1	964 522 051 03	Back seat cushion Draped leather	/L	1	
	964 522 051 03 KZ2	Black	-90		
	964 522 051 03 TV1	Mahogany	-90		
	964 522 051 03 TS1	Marine blue	-90		
	964 522 051 03 LG7	Burgundy	-90		
	964 522 051 03 TW1	Linen	-90		
	964 522 051 03 UD5	Caramel	-90		
	964 522 051 03 UD6	Venetian blue	-90		
	964 522 051 03 XN4	Cashmere beige	-90		
	964 522 051 03 XN5	Silk grey	-90		
	964 522 051 03 XN6	Velvet red	-90		
	964 522 051 03 XN7	Slate grey	-90		
	964 522 051 03 8YR	Black	91-		
	964 522 051 03 6XL	Classic grey	91-		
	964 522 051 03 9YL	Cobalt blue	91-		
	964 522 051 03 6YL	Magenta	91-		
	964 522 051 03 8ZL	Light grey	91-		
	964 522 051 03 4YU	Cashmere beige	91-		
	964 522 051 03 H05	Marine blue	91-		
	964 522 051 03 M05	Matador red	91-		
	964 522 051 03 D35	Carrara grey	91-		
	964 522 051 03 J25	Sherwood green	91-		
(1)	964 522 052 03	Back seat cushion Draped leather	/R	1	
	964 522 052 03 KZ2	Black	-90		
	964 522 052 03 TV1	Mahogany	-90		
	964 522 052 03 TS1	Marine blue	-90		
	964 522 052 03 LG7	Burgundy	-90		
	964 522 052 03 TW1	Linen	-90		
	964 522 052 03 UD5	Caramel	-90		
	964 522 052 03 UD6	Venetian blue	-90		
	964 522 052 03 XN4	Cashmere beige	-90		
	964 522 052 03 XN5	Silk grey	-90		
	964 522 052 03 XN6	Velvet red	-90		
	964 522 052 03 XN7	Slate grey	-90		
	964 522 052 03 8YR	Black	91-		
	964 522 052 03 6XL	Classic grey	91-		
	964 522 052 03 9YL	Cobalt blue	91-		
	964 522 052 03 6YL	Magenta	91-		
	964 522 052 03 8ZL	Light grey	91-		
	964 522 052 03 4YU	Cashmere beige	91-		
	964 522 052 03 H05	Marine blue	91-		
	964 522 052 03 M05	Matador red	91-		
	964 522 052 03 D35	Carrara grey	91-		
	964 522 052 03 J25	Sherwood green	91-		
1	964 522 051 02	Back seat cushion Whole-leather	/L 92	1	TURBO-LOOK
	964 522 051 02 BQZ	Rhodamine			
	964 522 051 02 BQY	Wimbledon green			
	964 522 051 02 BQX	Florentine grey			
(1)	964 522 052 02	Back seat cushion Whole-leather	/R 92	1	TURBO-LOOK

Model: STZ Model life 1985>>1998

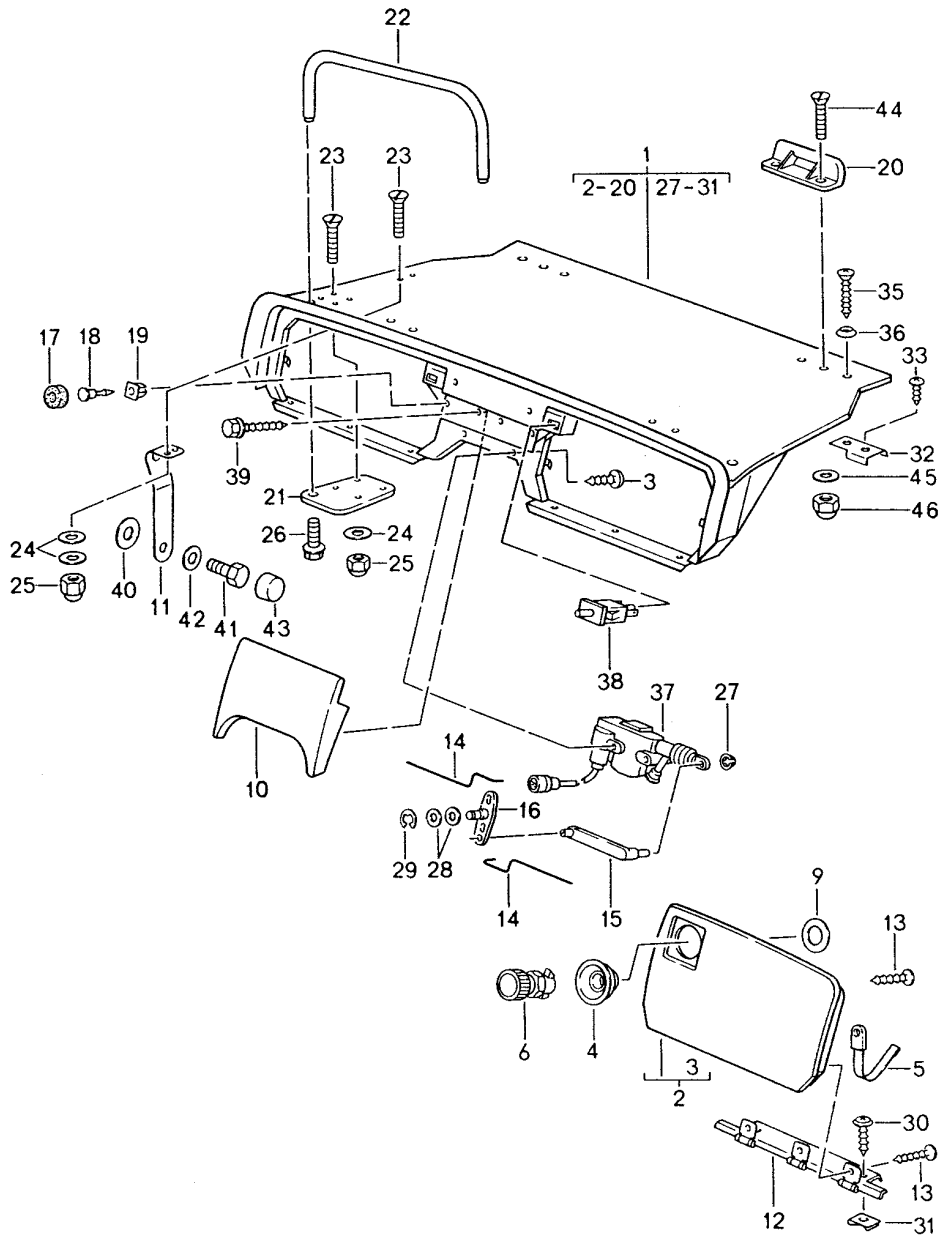
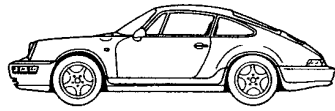
Pos	Part Number	Description	Remark	Qty	Model
1	964 522 052 02 BQZ	Rhodamine		1	TURBO-LOOK
	964 522 052 02 BQY	Wimbledon green			
	964 522 052 02 BQX	Florentine grey			
	964 522 051 03	Back seat cushion Draped leather	/L 92		
(1)	964 522 051 03 BQZ	Rhodamine		1	TURBO-LOOK
	964 522 051 03 BQY	Wimbledon green			
	964 522 051 03 BQX	Florentine grey			
	964 522 052 03	Back seat cushion Draped leather	/R 92		
2	964 522 052 03 BQZ	Rhodamine		1	
	964 522 052 03 BQY	Wimbledon green			
	964 522 052 03 BQX	Florentine grey			
	964 522 051 00	Back seat cushion Cloth Pin stripe velour	/L		
(2)	964 522 051 00 JN1	Black-white	-90	1	
	964 522 051 00 TU1	Mahogany-white	-90		
	964 522 051 00 TR1	Blue-white	-90		
	964 522 051 00 LT2	Burgundy-white	-90		
	964 522 051 00 4WJ	Linen white	-90		
	964 522 051 00 4TN	Cashmere beige-white	-90		
	964 522 052 00	Back seat cushion Cloth Pin stripe velour	/R		
	964 522 052 00 JN1	Black-white	-90		
	964 522 052 00 TU1	Mahogany-white	-90		
	964 522 052 00 TR1	Blue-white	-90		
	964 522 052 00 LT2	Burgundy-white	-90		
	964 522 052 00 4WJ	Linen white	-90		
(2)	964 522 052 00 4TN	Cashmere beige-white	-90	1	
	964 522 051 00	Back seat cushion Cloth Multicolour	/L 89-		
	964 522 051 00 2VV	Black			
	964 522 051 00 8XV	Mahogany	-90		
	964 522 051 00 9JV	Marine blue			
	964 522 051 00 1MV	Burgundy	-90		
	964 522 051 00 6UV	Linen	-90		
	964 522 051 00 5TC	Cashmere beige	-90		
	964 522 051 00 9WT	Classic grey	91-		
	964 522 051 00 9YD	Cobalt blue	91-		
	964 522 051 00 1MV	Burgundy	91-		
	964 522 051 00 6UV	Linen	91-		
(2)	964 522 052 00	Back seat cushion Cloth Multicolour	/R 89-	1	
	964 522 052 00 2VV	Black			
	964 522 052 00 8XV	Mahogany	-90		
	964 522 052 00 9JV	Marine blue			
	964 522 052 00 1MV	Burgundy	-90		
	964 522 052 00 6UV	Linen	-90		
	964 522 052 00 5TC	Cashmere beige	-90		
	964 522 052 00 9WT	Classic grey	91-		
	964 522 052 00 9YD	Cobalt blue	91-		
	964 522 052 00 1MV	Magenta	91-		
	964 522 052 00 6UV	Light grey	91-		
	2	964 522 051 00	Back seat cushion Porsche lettering cloth		
964 522 051 00 2CZ		Black			
964 522 051 00 TU3		Mahogany	-90		
964 522 051 00 6HZ		Blue			
964 522 051 00 QA1		Burgundy	-90		

Model: STZ Model life 1985>>1998

Pos	Part Number	Description	Remark	Qty	Model
	964 522 051 00 5WZ	Linen	-90		
	964 522 051 00 7TH	Cashmere beige			
	964 522 051 00 6WC	Classic grey	91-		
	964 522 051 00 7ZK	Cobalt blue	91-		
	964 522 051 00 9YC	Magenta	91-		
	964 522 051 00 2ZV	Light grey	91-		
(2)	964 522 052 00	Back seat cushion	/R 89-	1	
		Porsche lettering cloth			
	964 522 052 00 2CZ	Black			
	964 522 052 00 TU3	Mahogany	-90		
	964 522 052 00 6HZ	Blue			
	964 522 052 00 QA1	Burgundy	-90		
	964 522 052 00 5WZ	Linen	-90		
	964 522 052 00 7TH	Cashmere beige			
	964 522 052 00 6WC	Classic grey	91-		
	964 522 052 00 7ZK	Cobalt blue	91-		
	964 522 052 00 9YC	Magenta	91-		
	964 522 052 00 2ZV	Light grey	91-		

Model: STZ

Model life 1985>>1998



Model: STZ Model life 1985>>1998

Pos	Part Number	Description	Remark	Qty	Model
		Rear luggage dump	92-94		CARRERA 2/4 COUPE/TARGA CABRIO TURBO-LOOK RS AMERICA M419
1	964 555 123 00	Rear luggage dump Carpet/ Leatherette		1	CABRIO
	964 555 123 00 5FV	Black/black			
	964 555 123 00 4XR	Classic grey/classic grey			
	964 555 123 00 4ZN	Cobalt blue/cobalt blue			
	964 555 123 00 8WZ	Magenta/Magenta			
	964 555 123 00 6YR	Light grey/light grey			
	964 555 123 00 8UT	Cashmere beige/cash. beige			
	964 555 123 00 4KV	Marine blue/marine blue			
(1)	964 555 123 04	Rear luggage dump Carpet/ Leatherette		1	COUPE/TARGA
	964 555 123 04 5FV	Black/black			
	964 555 123 04 4XR	Classic grey/classic grey			
	964 555 123 04 4ZN	Cobalt blue/cobalt blue			
	964 555 123 04 8WZ	Magenta/Magenta			
	964 555 123 04 6YR	Light grey/light grey			
	964 555 123 04 8UT	Cashmere beige/cash. beige			
	964 555 123 04 4KV	Marine blue/marine blue			
1	964 555 123 01	Rear luggage dump Carpet/ Leather		1	CABRIO
	964 555 123 01 5FV	Black/black			
	964 555 123 01 4XR	Classic grey/classic grey			
	964 555 123 01 4ZN	Cobalt blue/cobalt blue			
	964 555 123 01 8WZ	Magenta/Magenta			
	964 555 123 01 6YR	Light grey/light grey			
	964 555 123 01 8UT	Cashmere beige/cash. beige			
	964 555 123 01 4KV	Marine blue/marine blue			
	964 555 123 01 M33	Matador red/matador red			
	964 555 123 01 D13	Carrara grey/carrara grey			
	964 555 123 01 J23	Sherwood gr./sherw. green			
(1)	964 555 123 05	Rear luggage dump Carpet/ Leather		1	COUPE/TARGA
	964 555 123 05 5FV	Black/black			
	964 555 123 05 4XR	Classic grey/classic grey			
	964 555 123 05 4ZN	Cobalt blue/cobalt blue			
	964 555 123 05 8WZ	Magenta/Magenta			
	964 555 123 05 6YR	Light grey/light grey			
	964 555 123 05 8UT	Cashmere beige/cash. beige			
	964 555 123 05 4KV	Marine blue/marine blue			
	964 555 123 05 M33	Matador red/matador red			
	964 555 123 05 D13	Carrara grey/carrara grey			
	964 555 123 05 J23	Sherwood gr./sherw. green			
1	964 555 123 01	Rear luggage dump Carpet/ Leather	92-	1	TURBO-LOOK
	964 555 123 01 M10	Rhodamine/rhodamine			
	964 555 123 01 K20	Wimbledon gr./wimbl. green			
	964 555 123 01 D50	Florentine gr./flor. grey			
1	964 555 123 08	Rear luggage dump Carpet/ Leatherette		1	RS AMERICA
	964 555 123 08 5FV	Black/black			
2	964 555 921 00	Lid	/L	1	

Model: STZ Model life 1985>>1998

Pos	Part Number	Description	Remark	Qty	Model
		Leatherette			
	964 555 921 00 05T	Black			
	964 555 921 00 2WJ	Classic grey			
	964 555 921 00 9ZH	Cobalt blue			
	964 555 921 00 4WY	Magenta			
	964 555 921 00 1ZU	Light grey			
	964 555 921 00 7RT	Cashmere beige			
	964 555 921 00 1KX	Marine blue			
(2)	964 555 922 00	Lid	/R	1	
		Leatherette			
	964 555 922 00 05T	Black			
	964 555 922 00 2WJ	Classic grey			
	964 555 922 00 9ZH	Cobalt blue			
	964 555 922 00 4WY	Magenta			
	964 555 922 00 1ZU	Light grey			
	964 555 922 00 7RT	Cashmere beige			
	964 555 922 00 1KX	Marine blue			
2	964 555 921 01	Lid	/L	1	
		Whole-leather			
	964 555 921 01 8YR	Black			
	964 555 921 01 6XL	Classic grey			
	964 555 921 01 9YL	Cobalt blue			
	964 555 921 01 6YL	Magenta			
	964 555 921 01 8ZL	Light grey			
	964 555 921 01 4YU	Cashmere beige			
	964 555 921 01 H05	Marine blue			
	964 555 921 01 M05	Matador red			
	964 555 921 01 D35	Carrara grey			
	964 555 921 01 J25	Sherwood green			
(2)	964 555 922 01	Lid	/R	1	
		Whole-leather			
	964 555 922 01 8YR	Black			
	964 555 922 01 6XL	Classic grey			
	964 555 922 01 9YL	Cobalt blue			
	964 555 922 01 6YL	Magenta			
	964 555 922 01 8ZL	Light grey			
	964 555 922 01 4YU	Cashmere beige			
	964 555 922 01 H05	Marine blue			
	964 555 922 01 M05	Matador red			
	964 555 922 01 D35	Carrara grey			
	964 555 922 01 J25	Sherwood green			
2	964 555 921 01	Lid	/L 92	1	TURBO-LOOK
		Whole-leather			
	964 555 921 01 L37	Rhodamine			
	964 555 921 01 J17	Wimbledon green			
	964 555 921 01 E27	Florentine grey			
(2)	964 555 922 01	Lid	/R 92	1	TURBO-LOOK
		Whole-leather			
	964 555 922 01 L37	Rhodamine			
	964 555 922 01 J17	Wimbledon green			
	964 555 922 01 E27	Florentine grey			
3	999 919 050 02	Oval-head screw		4	
		4,0 X 12			
4	964 552 312 00	Rosette		2	
	964 552 312 00 01C	Satin black			
5	964 555 515 00	Securing strap		4	
6	964 538 059 02	Glove compartment lock		2	
	964 538 059 02 01C	Satin black			
6	964 538 059 03	Glove compartment lock		2	
	964 538 059 03 01C	Satin black			
9	999 025 200 07	Washer		2	
		21,3 X 40 X 1			
10	964 555 323 00	Centre part		1	

Model: STZ Model life 1985>>1998

Pos	Part Number	Description	Remark	Qty	Model
		Leatherette			
	964 555 323 00 05T	Black			
	964 555 323 00 2WJ	Classic grey			
	964 555 323 00 9ZH	Cobalt blue			
	964 555 323 00 4WY	Magenta			
	964 555 323 00 1ZU	Light grey			
	964 555 323 00 7RT	Cashmere beige			
	964 555 323 00 1KX	Marine blue			
10	964 555 323 01	Centre part		1	
		Whole-leather			
	964 555 323 01 8YR	Black			
	964 555 323 01 6XL	Classic grey			
	964 555 323 01 9YL	Cobalt blue			
	964 555 323 01 6YL	Magenta			
	964 555 323 01 8ZL	Light grey			
	964 555 323 01 4YU	Cashmere beige			
	964 555 323 01 H05	Marine blue			
	964 555 323 01 M05	Matador red			
	964 555 323 01 D35	Carrara grey			
	964 555 323 01 J25	Sherwood green			
10	964 555 323 01	Centre part	92	1	TURBO-LOOK
		Whole-leather			
	964 555 323 01 L37	Rhodamine			
	964 555 323 01 J17	Wimbledon green			
	964 555 323 01 E27	Florentine grey			
11	964 555 851 00	Support		2	
12	964 555 487 00	Hinge		2	
13	999 919 105 07	Countersunk-head screw		20	
		4,0 X 12			
14	964 555 661 00	Closing element		2	CABRIO
15	964 555 657 00	Reverse lever		1	CABRIO
16	964 555 659 00	Segment		1	CABRIO
17	944 552 259 00	Plug		4	
18	N 902 662 01	Combination tapping screw		4	
		B 3,5 X 16			
19	999 591 679 40	Special nut		4	
		B 4,2			
20	477 885 761	Retaining bar		4	
(21)	964 555 679 00	Retainer plate	/L	2	
21	964 555 680 00	Retainer plate	/R	2	
22	964 555 601 00	Protective bracket		2	
23	900 075 362 02	Combination screw		20	
		M 5 X 25			
24	900 151 027 03	Washer		24	
24	900 151 027 02	Washer		24	
		B 5,3 X 15 X 1,6			
24	900 151 027 03	Washer		24	
		B 5,3 X 15 X 1,6			
25	999 033 003 02	Nut		X	
		M 5			
26	900 067 207 02	Combination screw		4	
		M 6 X 20			
27	999 591 946 02	Clamping washer		1	CABRIO
		5,0			
27	999 591 946 03	Clamping washer		1	CABRIO
		5,0			
28	900 031 001 02	Washer		2	CABRIO
		8,4			
28	900 031 105 01	Washer		2	CABRIO
		8,4			
29	N 012 435 1	Lock washer		1	CABRIO
		5			
30	999 073 060 02	Tapping screw		6	

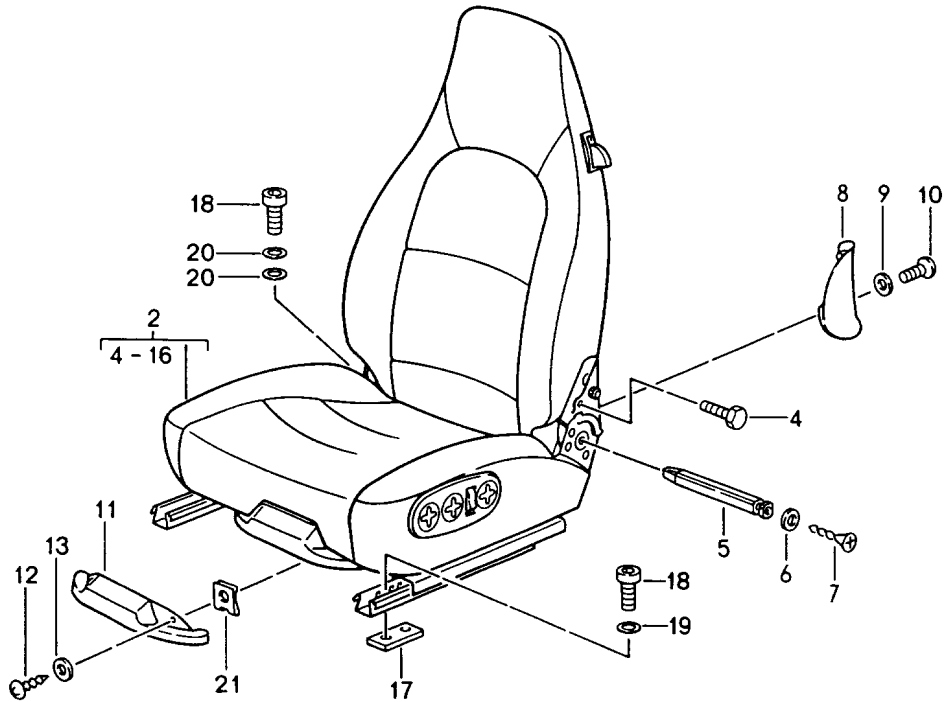
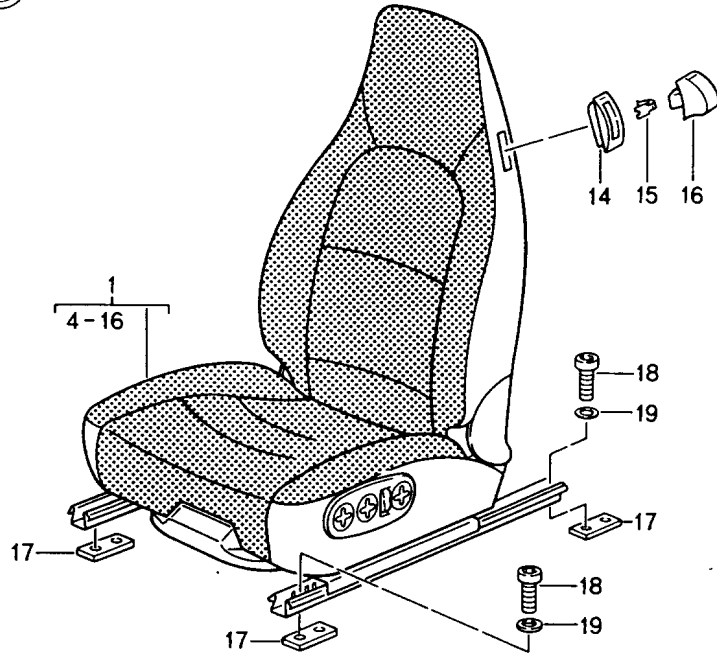
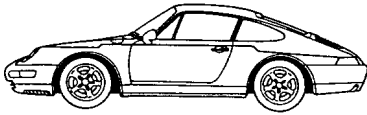


Model: STZ Model life 1985>>1998

Pos	Part Number	Description	Remark	Qty	Model
31	999 507 023 02	B 4,8 X 13 Speed nut		6	
31	999 507 023 01	B 4,8 Speed nut		6	
32	964 555 645 00	B 4,8 Clip		2	
33	900 073 507 01	Oval-head sheetmetal screw		2	
33	900 143 007 02	Oval-head sheetmetal screw		2	
33	900 073 507 01	B 4,2 X 13 Oval-head sheetmetal screw		2	
35	900 145 012 07	B 4,2 X 13 Counters. head tapp. screw		2	
36	999 591 116 00	B 4,2 X 32 Washer		2	
37	928 624 211 00	4,5 Transmission element		1	
38	964 613 602 00	Contact switch		2	
39	999 919 108 02	Hexagon-head bolt		2	
41	111 857 799 A	5,0 X 35 Hexagon-head bolt		2	
41	3B0 857 799	Hexagon-head bolt		2	
42	999 025 113 02	Washer		2	
43	811 857 845	11,5 X 21 X 2 Cap		2	
44	811 857 845 01C	Satin black			
44	N 033 183 1	Countersunk-head screw		8	
44	N 033 183 A	M 5 X 20 Countersunk-head screw		8	
45	900 151 027 03	M 5 X 20 Washer		8	
45	900 151 027 02	Washer		8	
45	900 151 027 03	B 5,3 X 15 X 1,6 Washer		8	
46	999 033 003 02	B 5,3 X 15 X 1,6 Nut		X	
		M 5			

Model: STZ

Model life 1985>>1998



Model: STZ Model life 1985>>1998

Pos	Part Number	Description	Remark	Qty	Model
		Front seat	94-98 96-98		CARRERA TARGA/ TURBO M437/438
		Comfort seat All-electric Complete Standard seat Manually adjustable And with Elect. vertical adjustment Complete Not available			M381/382 M379/380
1	993 521 015 16	Comfort seat without heating Leatherette/ Seat and backrest surface Porsche lettering cloth	/L	1	CARRERA TARGA
	993 521 015 16 PX2	Black/black	94-98		
	993 521 015 16 APM	Classic grey/classic grey	94-98		
	993 521 015 16 DBA	Midnight bl./midnight blue	94-98		
	993 521 015 16 DCA	Chestnut brown/ Chestnut brown	94-98 94-98		
	993 521 015 16 DDA	Marble grey/marble grey	94-97		
	993 521 015 16 XK6	Cashmere beige/cash. beige	94-98		
(1)	993 521 016 16	Comfort seat without heating Leatherette/ Seat and backrest surface Porsche lettering cloth	/R	1	CARRERA TARGA
	993 521 016 16 PX2	Black/black	94-98		
	993 521 016 16 APM	Classic grey/classic grey	94-98		
	993 521 016 16 DBA	Midnight bl./midnight blue	94-98		
	993 521 016 16 DCA	Chestnut brown/ Chestnut brown	94-98 94-98		
	993 521 016 16 DDA	Marble grey/marble grey	94-97		
	993 521 016 16 XK6	Cashmere beige/cash. beige	94-98		
1	993 521 015 20	Comfort seat with heating Leatherette/ Seat and backrest surface Porsche lettering cloth	/L	1	CARRERA TARGA
	993 521 015 20 PX2	Black/black	94-98		
	993 521 015 20 APM	Classic grey/classic grey	94-98		
	993 521 015 20 DBA	Midnight bl./midnight blue	94-98		
	993 521 015 20 DCA	Chestnut brown/ Chestnut brown	94-98 94-98		
	993 521 015 20 DDA	Marble grey/marble grey	94-97		
	993 521 015 20 XK6	Cashmere beige/cash. beige	94-98		
(1)	993 521 016 20	Comfort seat with heating Leatherette/ Seat and backrest surface Porsche lettering cloth	/R	1	CARRERA TARGA
	993 521 016 20 PX2	Black/black	94-98		
	993 521 016 20 APM	Classic grey/classic grey	94-98		
	993 521 016 20 DBA	Midnight bl./midnight blue	94-98		
	993 521 016 20 DCA	Chestnut brown/ Chestnut brown	94-98 94-98		
	993 521 016 20 DDA	Marble grey/marble grey	94-97		
	993 521 016 20 XK6	Cashmere beige/cash. beige	94-98		
1	993 521 015 24	Comfort seat with Lumbar support	/L	1	CARRERA TARGA

Model: STZ Model life 1985>>1998

Pos	Part Number	Description	Remark	Qty	Model
		Leatherette/ Seat and backrest surface Porsche lettering cloth			
	993 521 015 24 PX2	Black/black	94-98		
	993 521 015 24 APM	Classic grey/classic grey	94-98		
	993 521 015 24 DBA	Midnight bl./midnight blue	94-98		
	993 521 015 24 DCA	Chestnut brown/ Chestnut brown	94-98 94-98		
	993 521 015 24 DDA	Marble grey/marble grey	94-97		
	993 521 015 24 XK6	Cashmere beige/cash. beige	94-98		
(1)	993 521 016 24	Comfort seat with Lumbar support Leatherette/ Seat and backrest surface Porsche lettering cloth	/R	1	CARRERA TARGA
	993 521 016 24 PX2	Black/black	94-98		
	993 521 016 24 APM	Classic grey/classic grey	94-98		
	993 521 016 24 DBA	Midnight bl./midnight blue	94-98		
	993 521 016 24 DCA	Chestnut brown/ Chestnut brown	94-98 94-98		
	993 521 016 24 DDA	Marble grey/marble grey	94-97		
	993 521 016 24 XK6	Cashmere beige/cash. beige	94-98		
1	993 521 015 28	Comfot seat with heating And Lumbar support Leatherette/ Seat and backrest surface Porsche lettering cloth	/L	1	CARRERA TARGA
	993 521 015 28 PX2	Black/black	94-98		
	993 521 015 28 APM	Classic grey/classic grey	94-98		
	993 521 015 28 DBA	Midnight bl./midnight blue	94-98		
	993 521 015 28 DCA	Chestnut brown/ Chestnut brown	94-98 94-98		
	993 521 015 28 DDA	Marble grey/marble grey	94-97		
	993 521 015 28 XK6	Cashmere beige/cash. beige	94-98		
(1)	993 521 016 28	Comfort seat with heating And Lumbar support Leatherette/ Seat and backrest surface Porsche lettering cloth	/R	1	CARRERA TARGA
	993 521 016 28 PX2	Black/black	94-98		
	993 521 016 28 APM	Classic grey/classic grey	94-98		
	993 521 016 28 DBA	Midnight bl./midnight blue	94-98		
	993 521 016 28 DCA	Chestnut brown/ Chestnut brown	94-98 94-98		
	993 521 016 28 DDA	Marble grey/marble grey	94-97		
	993 521 016 28 XK6	Cashmere beige/cash. beige	94-98		
2	993 521 015 17	Comfot seat without heating Leatherette/ Seat and backrest surface Leather	/L	1	CARRERA TARGA
	993 521 015 17 ATG	Black/black	94-98		
	993 521 015 17 APK	Classic grey/classic grey	94-98		
	993 521 015 17 DBC	Midnight bl./midnight blue	94-98		
	993 521 015 17 DCC	Chestnut brown/ Chestnut brown	94-98 94-98		
	993 521 015 17 DDC	Marble grey/marble grey	94-97		
	993 521 015 17 ATX	Cashmere beige/cash. beige	94-98		

Model: STZ Model life 1985>>1998

Pos	Part Number	Description	Remark	Qty	Model
(2)	993 521 016 17	Comfort seat without heating Leatherette/ Seat and backrest surface Leather	/R	1	CARRERA TARGA
	993 521 016 17 ATG	Black/black	94-98		
	993 521 016 17 APK	Classic grey/classic grey	94-98		
	993 521 016 17 DBC	Midnight bl./midnight blue	94-98		
	993 521 016 17 DCC	Chestnut brown/ Chestnut brown	94-98 94-98		
	993 521 016 17 DDC	Marble grey/marble grey	94-97		
	993 521 016 17 ATX	Cashmere beige/cash. beige	94-98		
2	993 521 015 21	Comfort seat with heating Leatherette/ Seat and backrest surface Leather	/L	1	CARRERA TARGA
	993 521 015 21 ATG	Black/black	94-98		
	993 521 015 21 APK	Classic grey/classic grey	94-98		
	993 521 015 21 DBC	Midnight bl./midnight blue	94-98		
	993 521 015 21 DCC	Chestnut brown/ Chestnut brown	94-98 94-98		
	993 521 015 21 DDC	Marble grey/marble grey	94-97		
	993 521 015 21 ATX	Cashmere beige/cash. beige	94-98		
(2)	993 521 016 21	Comfort seat with heating Leatherette/ Seat and backrest surface Leather	/R	1	CARRERA TARGA
	993 521 016 21 ATG	Black/black	94-98		
	993 521 016 21 APK	Classic grey/classic grey	94-98		
	993 521 016 21 DBC	Midnight bl./midnight blue	94-98		
	993 521 016 21 DCC	Chestnut brown/ Chestnut brown	94-98 94-98		
	993 521 016 21 DDC	Marble grey/marble grey	94-97		
	993 521 016 21 ATX	Cashmere beige/cash. beige	94-98		
2	993 521 015 25	Comfort seat with Lumbar support Leatherette/ Seat and backrest surface Leather	/L	1	CARRERA TARGA
	993 521 015 25 ATG	Black/black	94-98		
	993 521 015 25 APK	Classic grey/classic grey	94-98		
	993 521 015 25 DBC	Midnight bl./midnight blue	94-98		
	993 521 015 25 DCC	Chestnut brown/ Chestnut brown	94-98 94-98		
	993 521 015 25 DDC	Marble grey/marble grey	94-97		
	993 521 015 25 ATX	Cashmere beige/cash. beige	94-98		
(2)	993 521 016 25	Comfort seat with Lumbar support Leatherette/ Seat and backrest surface Leather	/R	1	CARRERA TARGA
	993 521 016 25 ATG	Black/black	94-98		
	993 521 016 25 APK	Classic grey/classic grey	94-98		
	993 521 016 25 DBC	Midnight bl./midnight blue	94-98		
	993 521 016 25 DCC	Chestnut brown/ Chestnut brown	94-98 94-98		
	993 521 016 25 DDC	Marble grey/marble grey	94-97		
	993 521 016 25 ATX	Cashmere beige/cash. beige	94-98		
2	993 521 015 29	Comfort seat	/L	1	CARRERA

Model: STZ Model life 1985>>1998

Pos	Part Number	Description	Remark	Qty	Model
		with heating And Lumbar support Leatherette/ Seat and backrest surface Leather			TARGA
	993 521 015 29 ATG	Black/black	94-98		
	993 521 015 29 APK	Classic grey/classic grey	94-98		
	993 521 015 29 DBC	Midnight bl./midnight blue	94-98		
	993 521 015 29 DCC	Chestnut brown/ Chestnut brown	94-98 94-98		
	993 521 015 29 DDC	Marble grey/marble grey	94-97		
	993 521 015 29 ATX	Cashmere beige/cash. beige	94-98		
(2)	993 521 016 29	Comfort seat with heating And Lumbar support Leatherette/ Seat and backrest surface Leather	/R	1	CARRERA TARGA
	993 521 016 29 ATG	Black/black	94-98		
	993 521 016 29 APK	Classic grey/classic grey	94-98		
	993 521 016 29 DBC	Midnight bl./midnight blue	94-98		
	993 521 016 29 DCC	Chestnut brown/ Chestnut brown	94-98 94-98		
	993 521 016 29 DDC	Marble grey/marble grey	94-97		
	993 521 016 29 ATX	Cashmere beige/cash. beige	94-98		
2	993 521 015 18	Front seat without heating Whole-leather	/L 96-	1	CARRERA TARGA/TURBO
	993 521 015 18 ATH	Black	94-98		
	993 521 015 18 APL	Classic grey	94-98		
	993 521 015 18 DBD	Midnight blue	94-98		
	993 521 015 18 DCD	Chestnut brown	94-98		
	993 521 015 18 DDD	Marble grey	94-97		
	993 521 015 18 ATY	Cashmere beige	94-98		
	993 521 015 18 DEC	Provence blue	94-96		
	993 521 015 18 DEE	Cedar green	94-96		
	993 521 015 18 DEF	Flamenco red	94-96		
	993 521 015 18 DEA	Rubicon grey	96-97		
	993 521 015 18 ELA	Nephrite green	97-98		
	993 521 015 18 ENA	Boxster red	97-98		
	993 521 015 18 EJX	Space grey	98		
(2)	993 521 016 18	Front seat without heating Whole-leather	/R 96-	1	CARRERA TARGA/TURBO
	993 521 016 18 ATH	Black	94-98		
	993 521 016 18 APL	Classic grey	94-98		
	993 521 016 18 DBD	Midnight blue	94-98		
	993 521 016 18 DCD	Chestnut brown	94-98		
	993 521 016 18 DDD	Marble grey	94-97		
	993 521 016 18 ATY	Cashmere beige	94-98		
	993 521 016 18 DEC	Provence blue	94-96		
	993 521 016 18 DEE	Cedar green	94-96		
	993 521 016 18 DEF	Flamenco red	94-96		
	993 521 016 18 DEA	Rubicon grey	96-97		
	993 521 016 18 ELA	Nephrite green	97-98		
	993 521 016 18 ENA	Boxster red	97-98		
	993 521 016 18 EJX	Space grey	98		
2	993 521 015 22	Front seat with heating Whole-leather	/L 96-	1	CARRERA TARGA/TURBO
	993 521 015 22 ATH	Black	94-98		

Model: STZ Model life 1985>>1998

Pos	Part Number	Description	Remark	Qty	Model
	993 521 015 22 APL	Classic grey	94-98		
	993 521 015 22 DBD	Midnight blue	94-98		
	993 521 015 22 DCD	Chestnut brown	94-98		
	993 521 015 22 DDD	Marble grey	94-97		
	993 521 015 22 ATY	Cashmere beige	94-98		
	993 521 015 22 DEC	Provence blue	94-96		
	993 521 015 22 DEE	Cedar green	94-96		
	993 521 015 22 DEF	Flamenco red	94-96		
	993 521 015 22 DEA	Rubicon grey	96-97		
	993 521 015 22 ELA	Nephrite green	97-98		
	993 521 015 22 ENA	Boxster red	97-98		
	993 521 015 22 EJX	Space grey	98		
(2)	993 521 016 22	Front seat with heating Whole-leather	/R 96-	1	CARRERA TARGA/TURBO
	993 521 016 22 ATH	Black	94-98		
	993 521 016 22 APL	Classic grey	94-98		
	993 521 016 22 DBD	Midnight blue	94-98		
	993 521 016 22 DCD	Chestnut brown	94-98		
	993 521 016 22 DDD	Marble grey	94-97		
	993 521 016 22 ATY	Cashmere beige	94-98		
	993 521 016 22 DEC	Provence blue	94-96		
	993 521 016 22 DEE	Cedar green	94-96		
	993 521 016 22 DEF	Flamenco red	94-96		
	993 521 016 22 DEA	Rubicon grey	96-97		
	993 521 016 22 ELA	Nephrite green	97-98		
	993 521 016 22 ENA	Boxster red	97-98		
	993 521 016 22 EJX	Space grey	98		
2	993 521 015 26	Front seat with Lumbar support Whole-leather	/L	1	CARRERA TARGA/TURBO
	993 521 015 26 ATH	Black	94-98		
	993 521 015 26 APL	Classic grey	94-98		
	993 521 015 26 DBD	Midnight blue	94-98		
	993 521 015 26 DCD	Chestnut brown	94-98		
	993 521 015 26 DDD	Marble grey	94-97		
	993 521 015 26 ATY	Cashmere beige	94-98		
	993 521 015 26 DEC	Provence blue	94-96		
	993 521 015 26 DEE	Cedar green	94-96		
	993 521 015 26 DEF	Flamenco red	94-96		
	993 521 015 26 DEA	Rubicon grey	96-97		
	993 521 015 26 ELA	Nephrite green	97-98		
	993 521 015 26 ENA	Boxster red	97-98		
	993 521 015 26 EJX	Space grey	98		
(2)	993 521 016 26	Front seat with Lumbar support Whole-leather	/R	1	CARRERA TARGA/TURBO
	993 521 016 26 ATH	Black	94-98		
	993 521 016 26 APL	Classic grey	94-98		
	993 521 016 26 DBD	Midnight blue	94-98		
	993 521 016 26 DCD	Chestnut brown	94-98		
	993 521 016 26 DDD	Marble grey	94-97		
	993 521 016 26 ATY	Cashmere beige	94-98		
	993 521 016 26 DEC	Provence blue	94-96		
	993 521 016 26 DEE	Cedar green	94-96		
	993 521 016 26 DEF	Flamenco red	94-96		
	993 521 016 26 DEA	Rubicon grey	96-97		
	993 521 016 26 ELA	Nephrite green	97-98		
	993 521 016 26 ENA	Boxster red	97-98		
	993 521 016 26 EJX	Space grey	98		
2	993 521 015 30	Front seat	/L	1	CARRERA

Model: STZ Model life 1985>>1998

Pos	Part Number	Description	Remark	Qty	Model
		with heating And Lumbar support Whole-leather	96-		TARGA/TURBO
	993 521 015 30 ATH	Black	94-98		
	993 521 015 30 APL	Classic grey	94-98		
	993 521 015 30 DBD	Midnight blue	94-98		
	993 521 015 30 DCD	Chestnut brown	94-98		
	993 521 015 30 DDD	Marble grey	94-97		
	993 521 015 30 ATY	Cashmere beige	94-98		
	993 521 015 30 DEC	Provence blue	94-96		
	993 521 015 30 DEE	Cedar green	94-96		
	993 521 015 30 DEF	Flamenco red	94-96		
	993 521 015 30 DEA	Rubicon grey	96-97		
	993 521 015 30 ELA	Nephrite green	97-98		
	993 521 015 30 ENA	Boxster red	97-98		
	993 521 015 30 EJX	Space grey	98		
(2)	993 521 016 30	Front seat with heating And Lumbar support Whole-leather	/R 96-	1	CARRERA TARGA/TURBO
	993 521 016 30 ATH	Black	94-98		
	993 521 016 30 APL	Classic grey	94-98		
	993 521 016 30 DBD	Midnight blue	94-98		
	993 521 016 30 DCD	Chestnut brown	94-98		
	993 521 016 30 DDD	Marble grey	94-97		
	993 521 016 30 ATY	Cashmere beige	94-98		
	993 521 016 30 DEC	Provence blue	94-96		
	993 521 016 30 DEE	Cedar green	94-96		
	993 521 016 30 DEF	Flamenco red	94-96		
	993 521 016 30 DEA	Rubicon grey	96-97		
	993 521 016 30 ELA	Nephrite green	97-98		
	993 521 016 30 ENA	Boxster red	97-98		
	993 521 016 30 EJX	Space grey	98		
2	993 521 015 19	Front seat without heating Draped leather	/L 96-	1	CARRERA TARGA/TURBO
	993 521 015 19 ATH	Black	94-98		
	993 521 015 19 APL	Classic grey	94-98		
	993 521 015 19 DBD	Midnight blue	94-98		
	993 521 015 19 DCD	Chestnut brown	94-98		
	993 521 015 19 DDD	Marble grey	94-97		
	993 521 015 19 ATY	Cashmere beige	94-98		
	993 521 015 19 DEC	Provence blue	94-96		
	993 521 015 19 DEE	Cedar green	94-96		
	993 521 015 19 DEF	Flamenco red	94-96		
	993 521 015 19 DEA	Rubicon grey	96-97		
	993 521 015 19 ELA	Nephrite green	97-98		
	993 521 015 19 ENA	Boxster red	97-98		
	993 521 015 19 EJX	Space grey	98		
(2)	993 521 016 19	Front seat without heating Draped leather	/R 96-	1	CARRERA TARGA/TURBO
	993 521 016 19 ATH	Black	94-98		
	993 521 016 19 APL	Classic grey	94-98		
	993 521 016 19 DBD	Midnight blue	94-98		
	993 521 016 19 DCD	Chestnut brown	94-98		
	993 521 016 19 DDD	Marble grey	94-97		
	993 521 016 19 ATY	Cashmere beige	94-98		
	993 521 016 19 DEC	Provence blue	94-96		
	993 521 016 19 DEE	Cedar green	94-96		
	993 521 016 19 DEF	Flamenco red	94-96		



Model: STZ Model life 1985>>1998

Pos	Part Number	Description	Remark	Qty	Model
2	993 521 016 19 DEA	Rubicon grey	96-97	1	CARRERA TARGA/TURBO
	993 521 016 19 ELA	Nephrite green	97-98		
	993 521 016 19 ENA	Boxster red	97-98		
	993 521 016 19 EJX	Space grey	98		
	993 521 015 23	Front seat with heating Draped leather	/L 96-		
	993 521 015 23 ATH	Black	94-98		
	993 521 015 23 APL	Classic grey	94-98		
	993 521 015 23 DBD	Midnight blue	94-98		
	993 521 015 23 DCD	Chestnut brown	94-98		
	993 521 015 23 DDD	Marble grey	94-97		
	993 521 015 23 ATY	Cashmere beige	94-98		
	993 521 015 23 DEC	Provence blue	94-96		
	993 521 015 23 DEE	Cedar green	94-96		
	993 521 015 23 DEF	Flamenco red	94-96		
	993 521 015 23 DEA	Rubicon grey	96-97		
(2)	993 521 015 23 ELA	Nephrite green	97-98	1	CARRERA TARGA/TURBO
	993 521 015 23 ENA	Boxster red	97-98		
	993 521 015 23 EJX	Space grey	98		
	993 521 016 23	Front seat with heating Draped leather	/R 96-		
	993 521 016 23 ATH	Black	94-98		
	993 521 016 23 APL	Classic grey	94-98		
	993 521 016 23 DBD	Midnight blue	94-98		
	993 521 016 23 DCD	Chestnut brown	94-98		
	993 521 016 23 DDD	Marble grey	94-97		
	993 521 016 23 ATY	Cashmere beige	94-98		
	993 521 016 23 DEC	Provence blue	94-96		
	993 521 016 23 DEE	Cedar green	94-96		
	993 521 016 23 DEF	Flamenco red	94-96		
	993 521 016 23 DEA	Rubicon grey	96-97		
	2	993 521 016 23 ELA	Nephrite green		
993 521 016 23 ENA		Boxster red	97-98		
993 521 016 23 EJX		Space grey	98		
993 521 015 27		Front seat with Lumbar support Draped leather	/L		
993 521 015 27 ATH		Black	94-98		
993 521 015 27 APL		Classic grey	94-98		
993 521 015 27 DBD		Midnight blue	94-98		
993 521 015 27 DCD		Chestnut brown	94-98		
993 521 015 27 DDD		Marble grey	94-97		
993 521 015 27 ATY		Cashmere beige	94-98		
993 521 015 27 DEC		Provence blue	94-96		
993 521 015 27 DEE		Cedar green	94-96		
993 521 015 27 DEF		Flamenco red	94-96		
993 521 015 27 DEA		Rubicon grey	96-97		
(2)		993 521 015 27 ELA	Nephrite green	97-98	1
	993 521 015 27 ENA	Boxster red	97-98		
	993 521 015 27 EJX	Space grey	98		
	993 521 016 27	Front seat with Lumbar support Draped leather	/R		
	993 521 016 27 ATH	Black	94-98		
	993 521 016 27 APL	Classic grey	94-98		
	993 521 016 27 DBD	Midnight blue	94-98		
	993 521 016 27 DCD	Chestnut brown	94-98		
	993 521 016 27 DDD	Marble grey	94-97		
	993 521 016 27 ATY	Cashmere beige	94-98		

Model: STZ Model life 1985>>1998

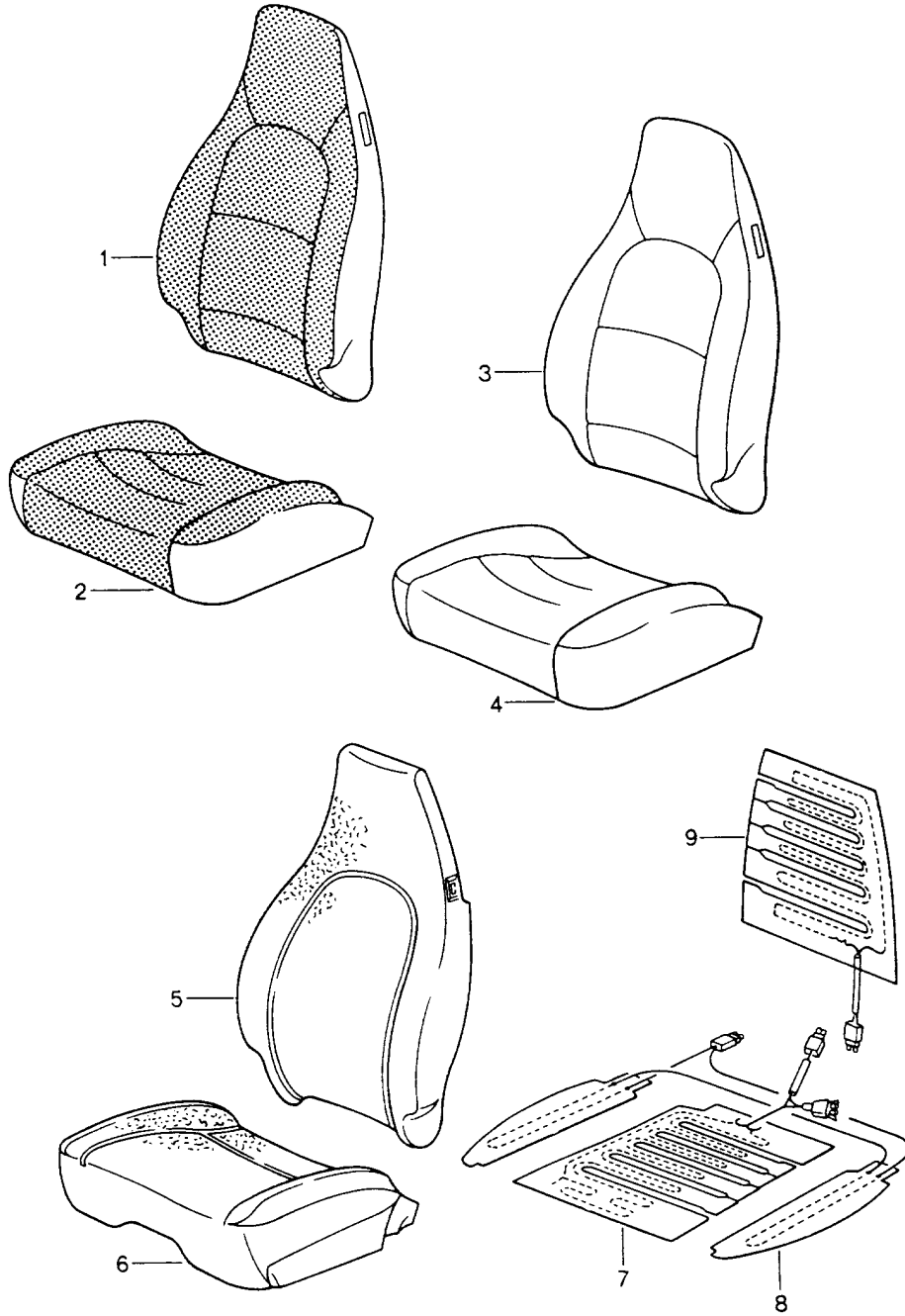
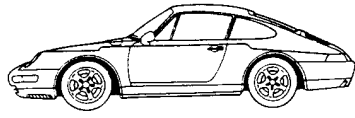
Pos	Part Number	Description	Remark	Qty	Model
	993 521 016 27 DEC	Provence blue	94-96		
	993 521 016 27 DEE	Cedar green	94-96		
	993 521 016 27 DEF	Flamenco red	94-96		
	993 521 016 27 DEA	Rubicon grey	96-97		
	993 521 016 27 ELA	Nephrite green	97-98		
	993 521 016 27 ENA	Boxster red	97-98		
	993 521 016 27 EJX	Space grey	98		
2	993 521 015 31	Front seat with heating And Lumbar support Draped leather	/L 96-	1	CARRERA TARGA/TURBO
	993 521 015 31 ATH	Black	94-98		
	993 521 015 31 APL	Classic grey	94-98		
	993 521 015 31 DBD	Midnight blue	94-98		
	993 521 015 31 DCD	Chestnut brown	94-98		
	993 521 015 31 DDD	Marble grey	94-97		
	993 521 015 31 ATY	Cashmere beige	94-98		
	993 521 015 31 DEC	Provence blue	94-96		
	993 521 015 31 DEE	Cedar green	94-96		
	993 521 015 31 DEF	Flamenco red	94-96		
	993 521 015 31 DEA	Rubicon grey	96-97		
	993 521 015 31 ELA	Nephrite green	97-98		
	993 521 015 31 ENA	Boxster red	97-98		
	993 521 015 31 EJX	Space grey	98		
(2)	993 521 016 31	Front seat with heating And Lumbar support Draped leather	/R 96-	1	CARRERA TARGA/TURBO
	993 521 016 31 ATH	Black	94-98		
	993 521 016 31 APL	Classic grey	94-98		
	993 521 016 31 DBD	Midnight blue	94-98		
	993 521 016 31 DCD	Chestnut brown	94-98		
	993 521 016 31 DDD	Marble grey	94-97		
	993 521 016 31 ATY	Cashmere beige	94-98		
	993 521 016 31 DEC	Provence blue	94-96		
	993 521 016 31 DEE	Cedar green	94-96		
	993 521 016 31 DEF	Flamenco red	94-96		
	993 521 016 31 DEA	Rubicon grey	96-97		
	993 521 016 31 ELA	Nephrite green	97-98		
	993 521 016 31 ENA	Boxster red	97-98		
	993 521 016 31 EJX	Space grey	98		
4	911 521 547 00	Screw M 10 X 20		6	
5	928 521 717 02	Square rod for backrest adjustment		4	
6	928 521 716 02	Lock washer for backrest adjustment		4	
7	900 249 004 02	Countersunk-head screw M 4 X 8 for backrest adjustment		4	
8	928 521 147 02	Cover	/L	2	
	928 521 147 02 01C	Black			
	928 521 147 02 4XC	Classic grey			
	928 521 147 02 2GS	Midnight blue			
	928 521 147 02 4PV	Chestnut brown			
	928 521 147 02 3BE	Marble grey			
	928 521 147 02 3UD	Cashmere beige			
(8)	928 521 148 02	Cover	/R	2	
	928 521 148 02 01C	Black			
	928 521 148 02 4XC	Classic grey			
	928 521 148 02 2GS	Midnight blue			

Model: STZ Model life 1985>>1998

Pos	Part Number	Description	Remark	Qty	Model
9	928 521 148 02 4PV	Chestnut brown		8	
	928 521 148 02 3BE	Marble grey			
	928 521 148 02 3UD	Cashmere beige			
	900 025 044 07	Washer A 4,3			
10	N 013 962 3	Tapping screw B 3,9 X 16		8	
11	928 521 760 04	Cover Comfort seat		2	
(11)	928 521 760 04 01C	Satin black		2	
	928 521 760 05	Cover Standard seat Electrically adjustable			
12	928 521 760 05 01C	Satin black		4	
12	900 143 113 07	Oval-head screw B 4.2 X 13		4	
	900 143 113 0G	Oval-head screw B 4.2 X 13			
13	900 025 044 07	Washer A 4,3		4	
14	911 521 815 00	Rosette		4	
	911 521 815 00 01C	Satin black			
15	311 881 247	Clip		4	
16	911 521 817 00	Control button		4	
	911 521 817 00 01C	Satin black			
17	964 521 701 00	Threaded plate Front and rear 2 X M 8		3	
18	900 119 030 02	Pan-head screw M 8 X 20		12	
19	900 089 006 02	Washer 8.0		12	
19	900 089 006 01	Washer 8.0		12	
20	900 025 007 02	Washer 8.4 Only together with Assembly Seat rail Rear		2	
	900 025 007 03	Washer 8.4 Only together with Assembly Seat rail Rear			
21	N 100 472 01	Speed nut ST 3.9		4	

Model: STZ

Model life 1985>>1998



Model: STZ Model life 1985>>1998

Pos	Part Number	Description	Remark	Qty	Model	
1	993 521 123 08	Cover	94-98	2	CARRERA TARGA/TURBO CARRERA TARGA	
		Front seat	96-98			
		Backrest cover				
		without heating				
		Leatherette/				
		Backrest surface				
		Porsche lettering cloth				
		993 521 123 08 PX2	Black/black			94-98
		993 521 123 08 APM	Classic grey/classic grey			94-98
		993 521 123 08 DBA	Midnight bl./midnight blue			94-98
(1)	993 521 123 08	993 521 123 08 DCA	Chestnut brown	94-98		
			Chestnut brown	94-98		
		993 521 123 08 DDA	Marble grey/marble grey	94-97		
		993 521 123 08 XK6	Cashmere beige/cash. beige	94-98		
		993 521 123 12	Backrest cover	2	CARRERA TARGA	
		with heating				
		Leatherette/				
		Backrest surface				
		Porsche lettering cloth				
		993 521 123 12 PX2	Black/black			94-98
993 521 123 12 APM	Classic grey/classic grey	94-98				
993 521 123 12 DBA	Midnight bl./midnight blue	94-98				
993 521 123 12 DCA	Chestnut brown	94-98				
	Chestnut brown	94-98				
993 521 123 12 DDA	Marble grey/marble grey	94-97				
993 521 123 12 XK6	Cashmere beige/cash. beige	94-98				
2	993 521 133 08	Cover for cushion	2	CARRERA TARGA		
		without heating				
		Leatherette/				
		Seat surface				
		Porsche lettering cloth				
		993 521 133 08 PX2			Black/black	94-98
		993 521 133 08 APM			Classic grey/classic grey	94-98
		993 521 133 08 DBA			Midnight bl./midnight blue	94-98
		993 521 133 08 DCA			Chestnut brown/	94-98
					Chestnut brown	94-98
993 521 133 08 DDA	Marble grey/marble grey	94-97				
993 521 133 08 XK6	Cashmere beige/cash. beige	94-98				
(2)	993 521 133 12	Cover for cushion	2	CARRERA TARGA		
		with heating				
		Leatherette/				
		Seat surface				
		Porsche lettering cloth				
		993 521 133 12 PX2			Black/black	94-98
		993 521 133 12 APM			Classic grey/classic grey	94-98
		993 521 133 12 DBA			Midnight bl./midnight blue	94-98
		993 521 133 12 DCA			Chestnut brown/	94-98
					Chestnut brown	94-98
993 521 133 12 DDA	Marble grey/marble grey	94-97				
993 521 133 12 XK6	Cashmere beige/cash. beige	94-98				
3	993 521 123 09	Backrest cover	2	CARRERA TARGA		
		without heating				
		Leatherette/				
		Backrest surface				
		Leather				
		993 521 123 09 ATG			Black/black	94-98
		993 521 123 09 APK			Classic grey/classic grey	94-98
		993 521 123 09 DBC			Midnight bl./midnight blue	94-98
		993 521 123 09 DCC			Chestnut brown	94-98
					Chestnut brown	94-98
993 521 123 09 DDC	Marble grey/marble grey	94-97				
993 521 123 09 ATX	Cashmere beige/cash. beige	94-98				
(3)	993 521 123 13	Backrest cover	2	CARRERA		

Model: STZ Model life 1985>>1998

Pos	Part Number	Description	Remark	Qty	Model
		with heating Leatherette/ Backrest surface Leather			TARGA
	993 521 123 13 ATG	Black/black	94-98		
	993 521 123 13 APK	Classic grey/classic grey	94-98		
	993 521 123 13 DBC	Midnight bl./midnight blue	94-98		
	993 521 123 13 DCC	Chestnut brown	94-98		
		Chestnut brown	94-98		
	993 521 123 13 DDC	Marble grey/marble grey	94-97		
	993 521 123 13 ATX	Cashmere beige/cash. beige	94-98		
3	993 521 123 10	Backrest cover without heating Whole-leather	96-	2	CARRERA TARGA/TURBO
	993 521 123 10 ATH	Black	94-98		
	993 521 123 10 APL	Classic grey	94-98		
	993 521 123 10 DBD	Midnight blue	94-98		
	993 521 123 10 DCD	Chestnut brown	94-98		
	993 521 123 10 DDD	Marble grey	94-97		
	993 521 123 10 ATY	Cashmere beige	94-98		
	993 521 123 10 DEC	Provence blue	94-96		
	993 521 123 10 DEE	Cedar green	94-96		
	993 521 123 10 DEF	Flamenco red	94-96		
	993 521 123 10 DEA	Rubicon grey	96-97		
	993 521 123 10 ELA	Nephrite green	97-98		
	993 521 123 10 ENA	Boxster red	97-98		
	993 521 123 10 EJX	Space grey	98		
(3)	993 521 123 14	Backrest cover with heating Whole-leather	96-	2	CARRERA TARGA/TURBO
	993 521 123 14 ATH	Black	94-98		
	993 521 123 14 APL	Classic grey	94-98		
	993 521 123 14 DBD	Midnight blue	94-98		
	993 521 123 14 DCD	Chestnut brown	94-98		
	993 521 123 14 DDD	Marble grey	94-97		
	993 521 123 14 ATY	Cashmere beige	94-98		
	993 521 123 14 DEC	Provence blue	94-96		
	993 521 123 14 DEE	Cedar green	94-96		
	993 521 123 14 DEF	Flamenco red	94-96		
	993 521 123 14 DEA	Rubicon grey	96-97		
	993 521 123 14 ELA	Nephrite green	97-98		
	993 521 123 14 ENA	Boxster red	97-98		
	993 521 123 14 EJX	Space grey	98		
3	993 521 123 11	Backrest cover without heating Draped leather	96-	2	CARRERA TARGA/TURBO
	993 521 123 11 ATH	Black	94-98		
	993 521 123 11 APL	Classic grey	94-98		
	993 521 123 11 DBD	Midnight blue	94-98		
	993 521 123 11 DCD	Chestnut brown	94-98		
	993 521 123 11 DDD	Marble grey	94-97		
	993 521 123 11 ATY	Cashmere beige	94-98		
	993 521 123 11 DEC	Provence blue	94-96		
	993 521 123 11 DEE	Cedar green	94-96		
	993 521 123 11 DEF	Flamenco red	94-96		
	993 521 123 11 DEA	Rubicon grey	96-97		
	993 521 123 11 ELA	Nephrite green	97-98		
	993 521 123 11 ENA	Boxster red	97-98		
	993 521 123 11 EJX	Space grey	98		
(3)	993 521 123 15	Backrest cover with heating Draped leather	96-	2	CARRERA TARGA/TURBO
	993 521 123 15 ATH	Black	94-98		

Model: STZ Model life 1985>>1998

Pos	Part Number	Description	Remark	Qty	Model
	993 521 123 15 APL	Classic grey	94-98		
	993 521 123 15 DBD	Midnight blue	94-98		
	993 521 123 15 DCD	Chestnut brown	94-98		
	993 521 123 15 DDD	Marble grey	94-97		
	993 521 123 15 ATY	Cashmere beige	94-98		
	993 521 123 15 DEC	Provence blue	94-96		
	993 521 123 15 DEE	Cedar green	94-96		
	993 521 123 15 DEF	Flamenco red	94-96		
	993 521 123 15 DEA	Rubicon grey	96-97		
	993 521 123 15 ELA	Nephrite green	97-98		
	993 521 123 15 ENA	Boxster red	97-98		
	993 521 123 15 EJX	Space grey	98		
4	993 521 133 09	Cover for cushion without heating Leatherette/ Seat surface Leather		2	CARRERA TARGA
	993 521 133 09 ATG	Black/black	94-98		
	993 521 133 09 APK	Classic grey/classic grey	94-98		
	993 521 133 09 DBC	Midnight bl./midnight blue	94-98		
	993 521 133 09 DCC	Chestnut brown/ Chestnut brown	94-98 94-98 94-98		
	993 521 133 09 DDC	Marble grey/marble grey	94-97		
(4)	993 521 133 09 ATX	Cashmere beige/cash. beige	94-98	2	CARRERA TARGA
	993 521 133 13	Cover for cushion with heating Leatherette/ Seat surface Leather			
	993 521 133 13 ATG	Black/black	94-98		
	993 521 133 13 APK	Classic grey/classic grey	94-98		
	993 521 133 13 DBC	Midnight bl./midnight blue	94-98		
	993 521 133 13 DCC	Chestnut brown/ Chestnut brown	94-98 94-98 94-98		
	993 521 133 13 DDC	Marble grey/marble grey	94-97		
4	993 521 133 13 ATX	Cashmere beige/cash. beige	94-98	2	CARRERA TARGA/TURBO
	993 521 133 10	Cover for cushion without heating Whole-leather	96-		
	993 521 133 10 ATH	Black	94-98		
	993 521 133 10 APL	Classic grey	94-98		
	993 521 133 10 DBD	Midnight blue	94-98		
	993 521 133 10 DCD	Chestnut brown	94-98		
	993 521 133 10 DDD	Marble grey	94-97		
	993 521 133 10 ATY	Cashmere beige	94-98		
	993 521 133 10 DEC	Provence blue	94-96		
	993 521 133 10 DEE	Cedar green	94-96		
	993 521 133 10 DEF	Flamenco red	94-96		
	993 521 133 10 DEA	Rubicon grey	96-97		
	993 521 133 10 ELA	Nephrite green	97-98		
	993 521 133 10 ENA	Boxster red	97-98		
	993 521 133 10 EJX	Space grey	98		
(4)	993 521 133 14	Cover for cushion with heating Whole-leather	96-	2	CARRERA TARGA/TURBO
	993 521 133 14 ATH	Black	94-98		
	993 521 133 14 APL	Classic grey	94-98		
	993 521 133 14 DBD	Midnight blue	94-98		
	993 521 133 14 DCD	Chestnut brown	94-98		
	993 521 133 14 DDD	Marble grey	94-97		
	993 521 133 14 ATY	Cashmere beige	94-98		
	993 521 133 14 DEC	Provence blue	94-96		
	993 521 133 14 DEE	Cedar green	94-96		

Model: STZ Model life 1985>>1998

Pos	Part Number	Description	Remark	Qty	Model
	993 521 133 14 DEF	Flamenco red	94-96		
	993 521 133 14 DEA	Rubicon grey	96-97		
	993 521 133 14 ELA	Nephrite green	97-98		
	993 521 133 14 ENA	Boxster red	97-98		
	993 521 133 14 EJX	Space grey	98		
4	993 521 133 11	Cover for cushion without heating Draped leather	96-	2	CARRERA TARGA/TURBO
	993 521 133 11 ATH	Black	94-98		
	993 521 133 11 APL	Classic grey	94-98		
	993 521 133 11 DBD	Midnight blue	94-98		
	993 521 133 11 DCD	Chestnut brown	94-98		
	993 521 133 11 DDD	Marble grey	94-97		
	993 521 133 11 ATY	Cashmere beige	94-98		
	993 521 133 11 DEC	Provence blue	94-96		
	993 521 133 11 DEE	Cedar green	94-96		
	993 521 133 11 DEF	Flamenco red	94-96		
	993 521 133 11 DEA	Rubicon grey	96-97		
	993 521 133 11 ELA	Nephrite green	97-98		
	993 521 133 11 ENA	Boxster red	97-98		
	993 521 133 11 EJX	Space grey	98		
(4)	993 521 133 15	Cover for cushion with heating Draped leather	96-	2	CARRERA TARGA/TURBO
	993 521 133 15 ATH	Black	94-98		
	993 521 133 15 APL	Classic grey	94-98		
	993 521 133 15 DBD	Midnight blue	94-98		
	993 521 133 15 DCD	Chestnut brown	94-98		
	993 521 133 15 DDD	Marble grey	94-97		
	993 521 133 15 ATY	Cashmere beige	94-98		
	993 521 133 15 DEC	Provence blue	94-96		
	993 521 133 15 DEE	Cedar green	94-96		
	993 521 133 15 DEF	Flamenco red	94-96		
	993 521 133 15 DEA	Rubicon grey	96-97		
	993 521 133 15 ELA	Nephrite green	97-98		
	993 521 133 15 ENA	Boxster red	97-98		
	993 521 133 15 EJX	Space grey	98		
-	000 043 071 00	Clamp Mount Cover Bag Content 50 Pieces		X	
5	993 521 393 06	Foam part Backrest frame		1	M437/438
(5)	993 521 393 07	Foam part Backrest frame Lumbar support		1	M437/438
6	993 521 385 06	Foam part Seat cushion	/L	1	M379/437
(6)	993 521 386 06	Foam part Seat cushion	/R	1	M380
(6)	993 521 385 07	Foam part Seat cushion with heating	/L	1	M379
(6)	993 521 386 07	Foam part Seat cushion with heating	/R	1	M380
7	993 653 901 00	Seat heater Seat surface F >>99SS3 20075 F >>99SS3 40066		2	COUPE CABRIO

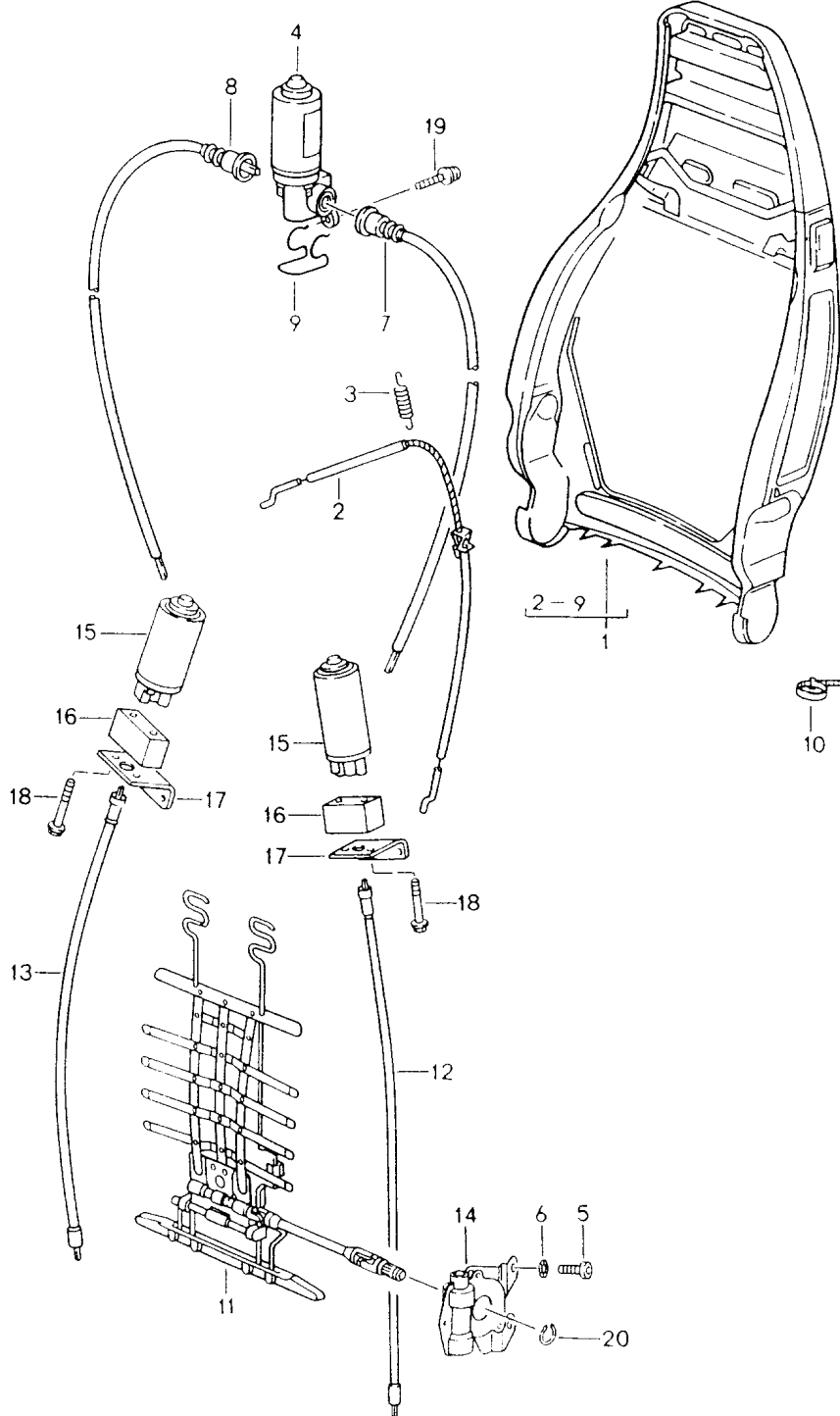
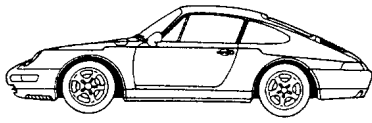


Model: STZ Model life 1985>>1998

Pos	Part Number	Description	Remark	Qty	Model
(7)	993 653 901 01	Seat heater Seat surface F 99SS3 20076>> F 99SS3 40067>>		2	COUPE CABRIO
(7)	993 653 901 02	Seat heater Seat surface Only together with Draped leather Seat cover F 99SS3 20076>> F 99SS3 40067>>		2	COUPE CABRIO
8	993 653 120 00	Seat heater Seat side bolster		2	
9	993 653 902 00	Seat heater Backrest surface F >>99SS3 20075 F >>99SS3 40066		2	COUPE CABRIO
(9)	993 653 902 01	Seat heater Backrest surface F 99SS3 20076>> F 99SS3 40067>>		2	COUPE CABRIO
(9)	993 653 902 02	Seat heater Backrest surface Only together with Draped leather Seat cover F 99SS3 20076>> F 99SS3 40067>>		2	COUPE CABRIO

Model: STZ

Model life 1985>>1998

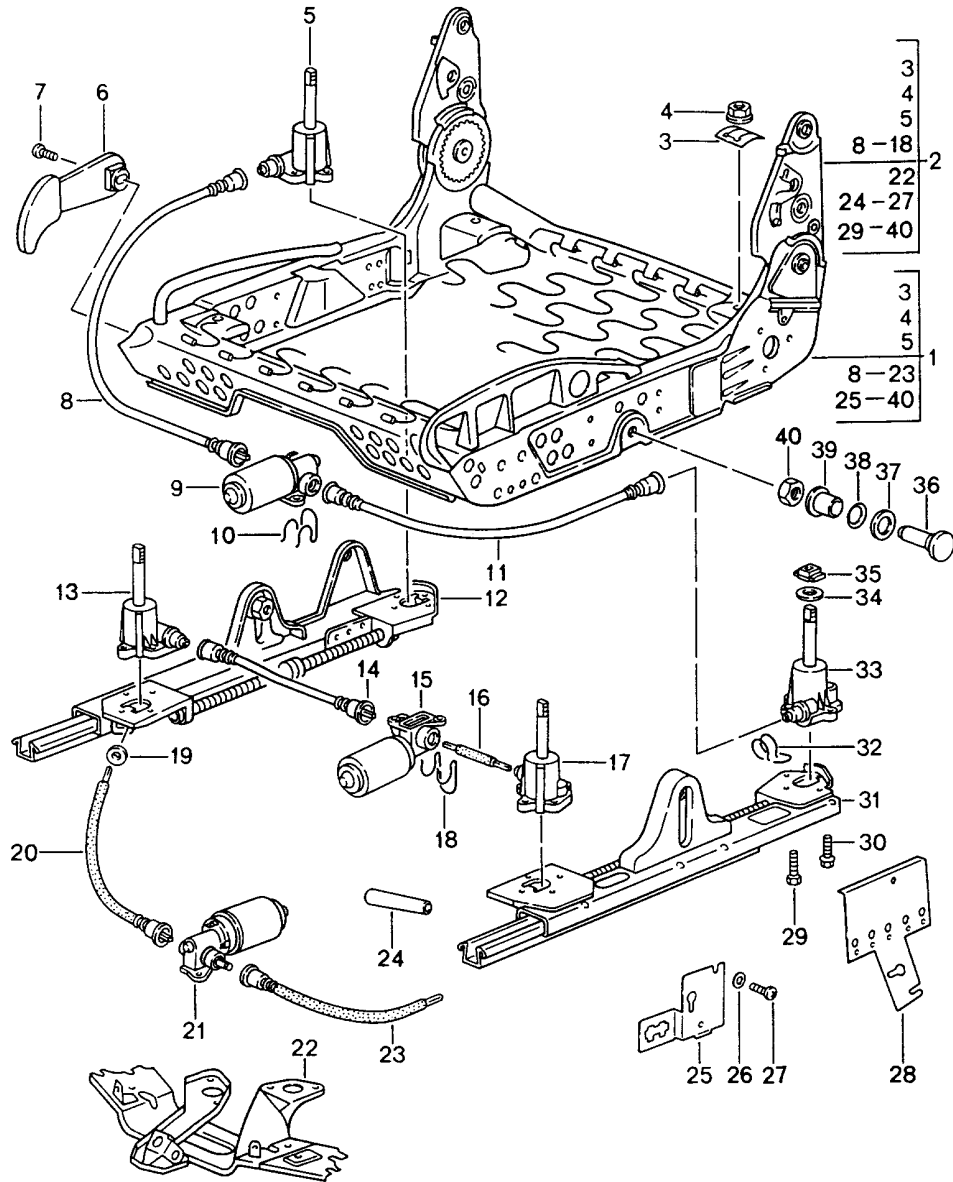
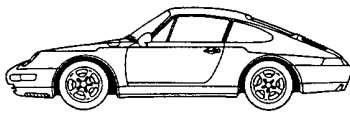


Model: STZ Model life 1985&gt;&gt;1998

Pos	Part Number	Description	Remark	Qty	Model
		Backrest frame	94-98 96-98		CARRERA TARGA/TURBO
(1)	928 521 027 08	Electric Manually Lumbar support Backrest frame		2	
1	928 521 027 10	Manually adjustable Backrest frame		2	
2	928 521 093 02	Electrically adjustable Bowden cable		4	
3	311 881 287 A	Tension spring		4	
4	928 624 126 01	Actuating lever Geared motor		2	
5	N 014 128 4	for backrest adjustment Oval-head screw		4	
6	N 012 130 2	M 5 X 8 Shake-proof washer		4	
7	928 521 617 03	A 5,3 Shaft	/L	2	
8	928 521 618 03	for backrest adjustment Shaft	/R	2	
9	928 521 675 02	for backrest adjustment Moulded spring		2	
10	N 020 904 4	Tie-wrap		5	
11	928 521 135 02	6,5 X 120 Lumbar support		2	
12	928 521 315 03	Pliable shaft Lumbar support adjustment		2	
13	928 521 315 02	Curvature Pliable shaft		2	
14	928 521 153 03	Lumbar support adjustment Transmission		2	
15	928 624 122 02	Adjusting motor		4	
16	928 624 199 00	Lumbar Spacer		4	
17	928 624 057 00	Lumbar support Engine carrier		4	
18	999 919 058 02	Lumbar support Hexagon-head bolt		8	
19	900 146 117 02	H 5 X 40 Combination screw		4	
20	N 012 411 1	M 5 X 12 Z1 Circlip		2	
		11 X 1			

Model: STZ

Model life 1985>>1998



Model: STZ Model life 1985>>1998

Pos	Part Number	Description	Remark	Qty	Model
		Seat frame for Comfort seat And Standard seat with Elect. vertical adjustment	94-98 96-98		CARRERA TARGA/TURBO
1	993 521 069 03	Seat frame Comfort seat All-electric	/L	1	
(1)	993 521 070 03	Seat frame Comfort seat All-electric	/R	1	
2	993 521 069 01	Seat frame Elect. vertical adjustment	/L	1	
(2)	993 521 070 01	Seat frame Elect. vertical adjustment	/R	1	
(2)		Seat frame Elect. vertical adjustment	/R	1	
3	928 521 723 02	Guide spring		8	
4	928 521 730 02	Nut		8	
5	928 521 721 03	Lifting gear Left front, right rear		4	
6	964 521 073 00	Lever for backrest adjustment		2	
	964 521 073 00 01C	Satin black			
6	964 521 073 01	Lever for backrest adjustment		2	
	964 521 073 01 01C	Black			
7	900 146 108 07	Round head screw M 5 X 10		2	
8	928 521 674 05	Flexible shaft Rear vertical adjustment	/R	2	
8	928 521 674 06	Flexible shaft Rear vertical adjustment	/R	2	
9	928 624 126 01	Geared motor Rear vertical adjustment		2	
10	928 521 675 02	Moulded spring		6	
11	928 521 673 05	Flexible shaft Rear vertical adjustment	/L	2	
12	964 521 492 01	Seat rail Left seat All-electric Inner		1	
(12)	964 521 491 01	Seat rail Right seat All-electric Inner		1	
(12)	964 521 492 00	Seat rail Left seat Elect. vertical adjustment Inner		1	
(12)	964 521 491 00	Seat rail Right seat Elect. vertical adjustment Inner		1	
13	928 521 722 03	Lifting gear Right front, left rear		4	
14	928 521 672 03	Shaft Front vertical adjustment	/R	2	
15	928 624 126 01	Geared motor Front vertical adjustment		2	
16	928 521 671 03	Shaft	/L	2	

Model: STZ Model life 1985&gt;&gt;1998

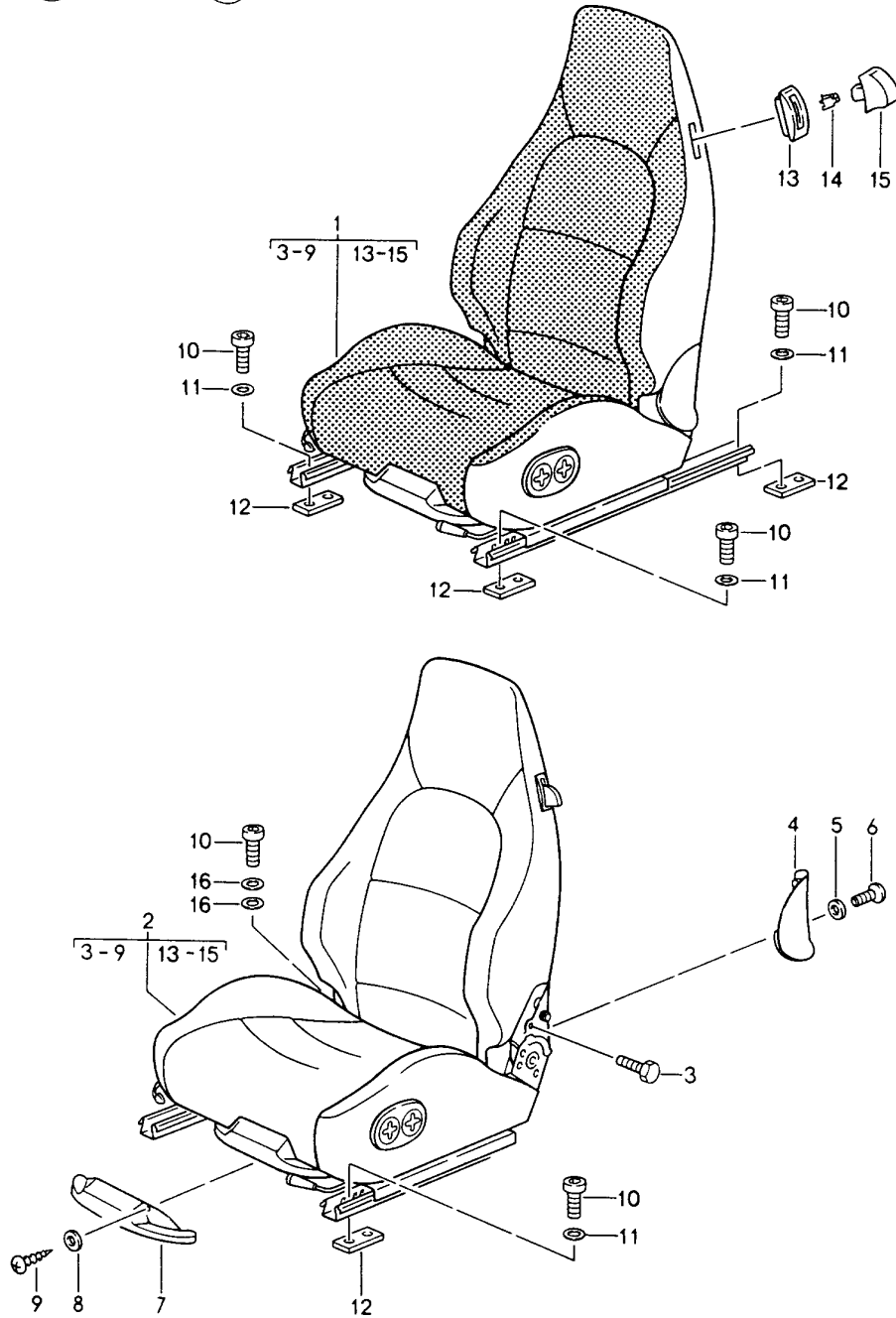
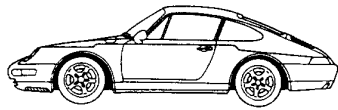
Pos	Part Number	Description	Remark	Qty	Model
17	928 521 721 03	Front vertical adjustment Lifting gear		4	
18	928 521 675 02	Left front, right rear Moulded spring		6	
19	999 591 778 02	Support Shaft		6	
20	928 521 252 04	for longitudinal adjustment Shaft	/L	4	
21	928 624 136 00	for longitudinal adjustment Geared motor		2	
22	928 521 033 03	for longitudinal adjustment Engine support		2	
(22)	928 521 033 02	Comfort seat Engine support		2	
23	928 521 252 04	Front seat Elect. vertical adjustment Shaft	/R	4	
24	911 521 533 01	for longitudinal adjustment Handle		2	
25	911 521 533 01 01C	for longitudinal adjustment Satin black		2	
26	928 653 503 02	Bracket		2	
27	900 025 003 02	Washer A 5,3		2	
28	N 014 133 8	Oval-head screw M 5 X 12		2	
29	928 653 501 03	Bracket Seat heater		2	
30	900 186 032 02	Pan-head screw M 6 X 12		8	
31	999 217 033 01	Locking screw M 6 X 16		20	
32	928 521 489 08	Seat rail Left seat		1	
(31)	928 521 490 08	All-electric Outer Seat rail		1	
(31)	928 521 489 11	Right seat All-electric Outer Seat rail		1	
(31)	928 521 490 11	Left seat Elect. vertical adjustment Outer Seat rail		1	
33	928 521 699 00	Right seat Elect. vertical adjustment Outer Moulded spring		6	
34	928 521 722 03	Lifting gear Right front, left rear		4	
35	999 025 129 40	Washer		8	
36	928 521 727 02	Slide		8	
37	928 521 681 02	Bolt		4	
38	928 521 683 02	Washer 1,5 PA 6		8	
39	999 028 015 00	Spring washer 16,2 X 0,5		8	
40	928 521 685 02	Bush		4	
40	900 034 003 02	Hexagon nut M 10		4	
		Switch And			

Model: STZ Model life 1985>>1998

Pos	Part Number	Description	Remark	Qty	Model
		Trim for switch See illustrations 8/07/30			

Model: STZ

Model life 1985>>1998





Model: STZ Model life 1985>>1998

Pos	Part Number	Description	Remark	Qty	Model
		Sports seat Complete	94		CARRERA M383/387
1	993 521 017 06	Elect. vertical adjustment Sports seat without heating Leatherette/ Seat and backrest surface Porsche lettering cloth	/L	1	M383
	993 521 017 06 PX2	Black/black			
	993 521 017 06 APM	Classic grey/classic grey			
	993 521 017 06 DBA	Midnight bl./midnight blue			
	993 521 017 06 DCA	Chestnut brown/ Chestnut brown			
	993 521 017 06 DDA	Marble grey/marble grey			
	993 521 017 06 XK6	Cashmere beige/cash. beige			
(1)	993 521 018 06	Sports seat without heating Leatherette/ Seat and backrest surface Porsche lettering cloth	/R	1	M387
	993 521 018 06 PX2	Black/black			
	993 521 018 06 APM	Classic grey/classic grey			
	993 521 018 06 DBA	Midnight bl./midnight blue			
	993 521 018 06 DCA	Chestnut brown/ Chestnut brown			
	993 521 018 06 DDA	Marble grey/marble grey			
	993 521 018 06 XK6	Cashmere beige/cash. beige			
1	993 521 017 09	Sports seat with heating Leatherette/ Seat and backrest surface Porsche lettering cloth	/L	1	M383
	993 521 017 09 PX2	Black/black			
	993 521 017 09 APM	Classic grey/classic grey			
	993 521 017 09 DBA	Midnight bl./midnight blue			
	993 521 017 09 DCA	Chestnut brown/ Chestnut brown			
	993 521 017 09 DDA	Marble grey/marble grey			
	993 521 017 09 XK6	Cashmere beige/cash. beige			
(1)	993 521 018 09	Sports seat with heating Leatherette/ Seat and backrest surface Porsche lettering cloth	/R	1	M387
	993 521 018 09 PX2	Black/black			
	993 521 018 09 APM	Classic grey/classic grey			
	993 521 018 09 DBA	Midnight bl./midnight blue			
	993 521 018 09 DCA	Chestnut brown/ Chestnut brown			
	993 521 018 09 DDA	Marble grey/marble grey			
	993 521 018 09 XK6	Cashmere beige/cash. beige			
2	993 521 017 07	Sports seat without heating Leatherette/ Seat and backrest surface Leather	/L	1	M383
	993 521 017 07 ATG	Black/black			
	993 521 017 07 APK	Classic grey/classic grey			
	993 521 017 07 DBC	Midnight bl./midnight blue			
	993 521 017 07 DCC	Chestnut brown/ Chestnut brown			
	993 521 017 07 DDC	Marble grey/marble grey			
	993 521 017 07 ATX	Cashmere beige/cash. beige			

Model: STZ Model life 1985>>1998

Pos	Part Number	Description	Remark	Qty	Model
(2)	993 521 018 07	Sports seat without heating Leatherette/ Seat and backrest surface Leather	/R	1	M387
	993 521 018 07 ATG	Black/black			
	993 521 018 07 APK	Classic grey/classic grey			
	993 521 018 07 DBC	Midnight bl./midnight blue			
	993 521 018 07 DCC	Chestnut brown/ Chestnut brown			
	993 521 018 07 DDC	Marble grey/marble grey			
	993 521 018 07 ATX	Cashmere beige/cash. beige			
2	993 521 017 10	Sports seat with heating Leatherette/ Seat and backrest surface Leather	/L	1	M383
	993 521 017 10 ATG	Black/black			
	993 521 017 10 APK	Classic grey/classic grey			
	993 521 017 10 DBC	Midnight bl./midnight blue			
	993 521 017 10 DCC	Chestnut brown/ Chestnut brown			
	993 521 017 10 DDC	Marble grey/marble grey			
	993 521 017 10 ATX	Cashmere beige/cash. beige			
(2)	993 521 018 10	Sports seat with heating Leatherette/ Seat and backrest surface Leather	/R	1	M387
	993 521 018 10 ATG	Black/black			
	993 521 018 10 APK	Classic grey/classic grey			
	993 521 018 10 DBC	Midnight bl./midnight blue			
	993 521 018 10 DCC	Chestnut brown/ Chestnut brown			
	993 521 018 10 DDC	Marble grey/marble grey			
	993 521 018 10 ATX	Cashmere beige/cash. beige			
2	993 521 017 08	Sports seat without heating Whole-leather	/L	1	M383
	993 521 017 08 ATH	Black			
	993 521 017 08 APL	Classic grey			
	993 521 017 08 DBD	Midnight blue			
	993 521 017 08 DCD	Chestnut brown			
	993 521 017 08 DDD	Marble grey			
	993 521 017 08 ATY	Cashmere beige			
	993 521 017 08 DEC	Provence blue			
	993 521 017 08 DEE	Cedar green			
	993 521 017 08 DEF	Flamenco red			
(2)	993 521 018 08	Sports seat without heating Whole-leather	/R	1	M387
	993 521 018 08 ATH	Black			
	993 521 018 08 APL	Classic grey			
	993 521 018 08 DBD	Midnight blue			
	993 521 018 08 DCD	Chestnut brown			
	993 521 018 08 DDD	Marble grey			
	993 521 018 08 ATY	Cashmere beige			
	993 521 018 08 DEC	Provence blue			
	993 521 018 08 DEE	Cedar green			
	993 521 018 08 DEF	Flamenco red			
2	993 521 017 11	Sports seat with heating Whole-leather	/L	1	M383

Model: STZ Model life 1985>>1998

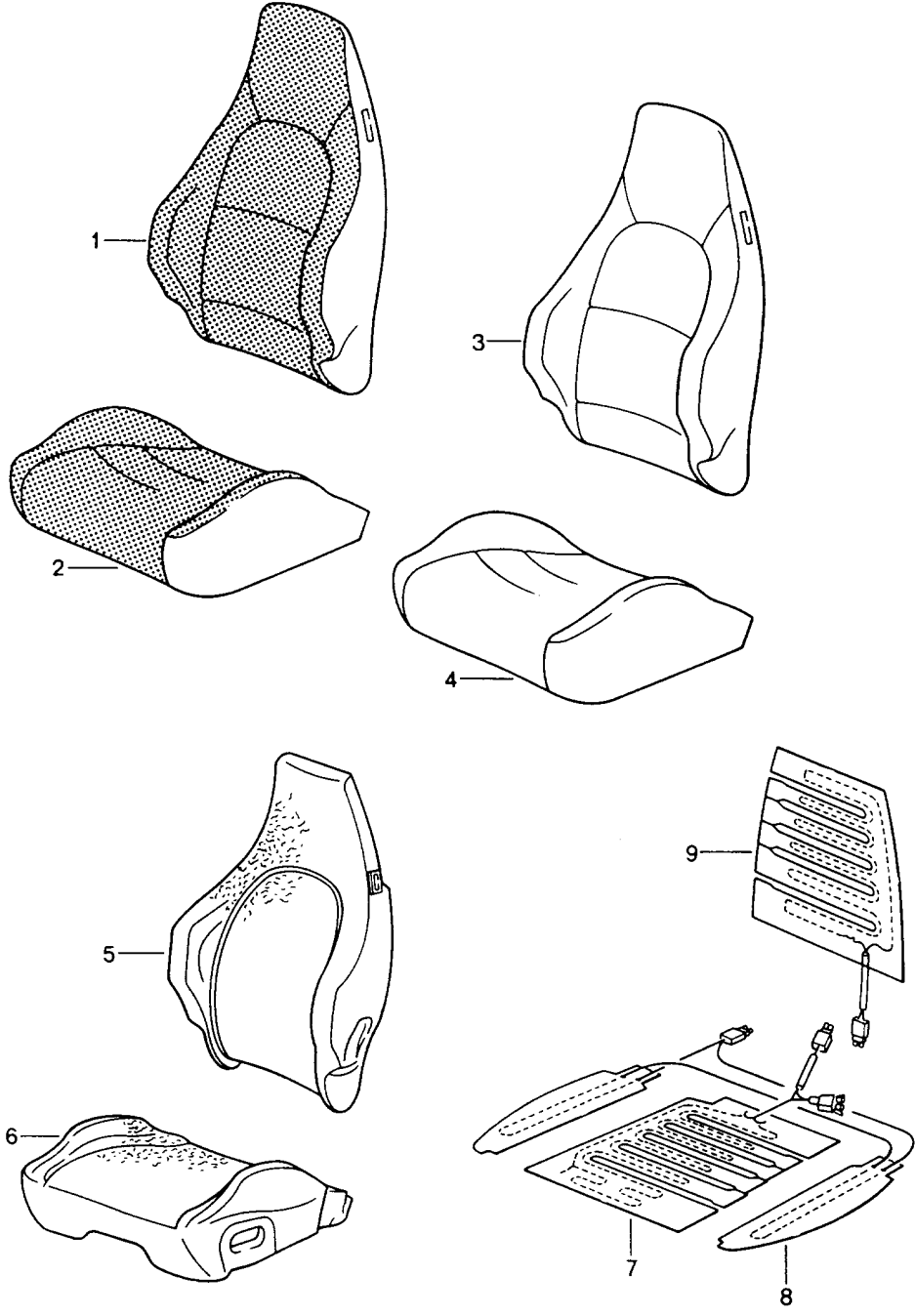
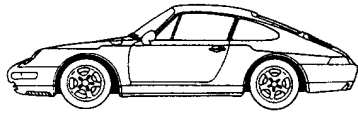
Pos	Part Number	Description	Remark	Qty	Model
	993 521 017 11 ATH	Black			
	993 521 017 11 APL	Classic grey			
	993 521 017 11 DBD	Midnight blue			
	993 521 017 11 DCD	Chestnut brown			
	993 521 017 11 DDD	Marble grey			
	993 521 017 11 ATY	Cashmere beige			
	993 521 017 11 DEC	Provence blue			
	993 521 017 11 DEE	Cedar green			
	993 521 017 11 DEF	Flamenco red			
(2)	993 521 018 11	Sports seat with heating Whole-leather	/R	1	M387
	993 521 018 11 ATH	Black			
	993 521 018 11 APL	Classic grey			
	993 521 018 11 DBD	Midnight blue			
	993 521 018 11 DCD	Chestnut brown			
	993 521 018 11 DDD	Marble grey			
	993 521 018 11 ATY	Cashmere beige			
	993 521 018 11 DEC	Provence blue			
	993 521 018 11 DEE	Cedar green			
	993 521 018 11 DEF	Flamenco red			
3	911 521 547 00	Screw M 10 X 20		8	
4	928 521 147 02	Cover	/L	2	
	928 521 147 02 01C	Black			
	928 521 147 02 4XC	Classic grey			
	928 521 147 02 2GS	Midnight blue			
	928 521 147 02 4PV	Chestnut brown			
	928 521 147 02 3BE	Marble grey			
	928 521 147 02 3UD	Cashmere beige			
(4)	928 521 148 02	Cover	/R	2	
	928 521 148 02 01C	Black			
	928 521 148 02 4XC	Classic grey			
	928 521 148 02 2GS	Midnight blue			
	928 521 148 02 4PV	Chestnut brown			
	928 521 148 02 3BE	Marble grey			
	928 521 148 02 3UD	Cashmere beige			
5	900 025 044 07	Washer A 4,3		8	
6	900 143 113 07	Oval-head screw B 4,2 X 13		8	
6	900 143 113 0G	Oval-head screw B 4,2 X 13		8	
(7)	928 521 760 05	Cover		2	
	928 521 760 05 01C	Satin black			
8	900 025 013 07	Washer A 3,7		4	
9	N 013 959 3	Oval-head sheetmetal screw B 3,5 X 16		4	
9	900 143 016 02	Oval-head sheetmetal screw B 3,5 X 16		4	
10	900 119 030 02	Pan-head screw M 8 X 20		12	
11	900 089 006 02	Washer 8,0		12	
11	900 089 006 01	Washer 8,0		12	
12	964 521 701 00	Threaded plate Front and rear 2 X M 8		3	
13	911 521 815 00	Rosette		4	
	911 521 815 00 01C	Satin black			
14	311 881 247	Clip		4	

Model: STZ Model life 1985>>1998

Pos	Part Number	Description	Remark	Qty	Model
15	911 521 817 00	Control button		4	
	911 521 817 00 01C	Satin black			
16	900 025 007 02	Washer 8,4 Only together with Assembly Seat rail Rear		2	
16	900 025 007 03	Washer 8,4 Only together with Assembly Seat rail Rear		2	

Model: STZ

Model life 1985>>1998



Model: STZ Model life 1985>>1998

Pos	Part Number	Description	Remark	Qty	Model
		Cover	94		CARRERA
1	993 521 127 06	Sports seat Backrest cover without heating Leatherette/ Backrest surface Porsche lettering cloth		2	
	993 521 127 06 PX2	Black/black			
	993 521 127 06 APM	Classic grey/classic grey			
	993 521 127 06 DBA	Midnight bl./midnight blue			
	993 521 127 06 DCA	Chestnut brown Chestnut brown			
	993 521 127 06 DDA	Marble grey/marble grey			
	993 521 127 06 XK6	Cashmere beige/cash. beige			
(1)	993 521 127 09	Backrest cover with heating Leatherette/ Backrest surface Porsche lettering cloth		2	
	993 521 127 09 PX2	Black/black			
	993 521 127 09 APM	Classic grey/classic grey			
	993 521 127 09 DBA	Midnight bl./midnight blue			
	993 521 127 09 DCA	Chestnut brown/ Chestnut brown			
	993 521 127 09 DDA	Marble grey/marble grey			
	993 521 127 09 XK6	Cashmere beige/cash. beige			
2	993 521 137 06	Cover for cushion without heating Leatherette/ Seat surface Porsche lettering cloth		2	
	993 521 137 06 PX2	Black/black			
	993 521 137 06 APM	Classic grey/classic grey			
	993 521 137 06 DBA	Midnight bl./midnight blue			
	993 521 137 06 DCA	Chestnut brown/ Chestnut brown			
	993 521 137 06 DDA	Marble grey/marble grey			
	993 521 137 06 XK6	Cashmere beige/cash. beige			
(2)	993 521 137 09	Cover for cushion with heating Leatherette/ Seat surface Porsche lettering cloth		2	
	993 521 137 09 PX2	Black/black			
	993 521 137 09 APM	Classic grey/classic grey			
	993 521 137 09 DBA	Midnight bl./midnight blue			
	993 521 137 09 DCA	Chestnut brown/ Chestnut brown			
	993 521 137 09 DDA	Marble grey/marble grey			
	993 521 137 09 XK6	Cashmere beige/cash. beige			
3	993 521 127 07	Backrest cover without heating Leatherette/ Backrest surface Leather		2	
	993 521 127 07 ATG	Black/black			
	993 521 127 07 APK	Classic grey/classic grey			
	993 521 127 07 DBC	Midnight bl./midnight blue			
	993 521 127 07 DCC	Chestnut brown/ Chestnut brown			
	993 521 127 07 DDC	Marble grey/marble grey			
	993 521 127 07 ATX	Cashmere beige/cash. beige			
(3)	993 521 127 10	Backrest cover		2	

Model: STZ Model life 1985>>1998

Pos	Part Number	Description	Remark	Qty	Model
		with heating Leatherette/ Backrest surface Leather			
	993 521 127 10 ATG	Black/black			
	993 521 127 10 APK	Classic grey/classic grey			
	993 521 127 10 DBC	Midnight bl./midnight blue			
	993 521 127 10 DCC	Chestnut brown/ Chestnut brown			
	993 521 127 10 DDC	Marble grey/marble grey			
	993 521 127 10 ATX	Cashmere beige/cash. beige			
3	993 521 127 08	Backrest cover without heating Whole-leather		2	
	993 521 127 08 ATH	Black			
	993 521 127 08 APL	Classic grey			
	993 521 127 08 DBD	Midnight blue			
	993 521 127 08 DCD	Chestnut brown			
	993 521 127 08 DDD	Marble grey			
	993 521 127 08 ATY	Cashmere beige			
	993 521 127 08 DEC	Provence blue			
	993 521 127 08 DEE	Cedar green			
	993 521 127 08 DEF	Flamenco red			
(3)	993 521 127 11	Backrest cover with heating Whole-leather		2	
	993 521 127 11 ATH	Black			
	993 521 127 11 APL	Classic grey			
	993 521 127 11 DBD	Midnight blue			
	993 521 127 11 DCD	Chestnut brown			
	993 521 127 11 DDD	Marble grey			
	993 521 127 11 ATY	Cashmere beige			
	993 521 127 11 DEC	Provence blue			
	993 521 127 11 DEE	Cedar green			
	993 521 127 11 DEF	Flamenco red			
4	993 521 137 07	Cover for cushion without heating Leatherette/ Seat surface Leather		2	
	993 521 137 07 ATG	Black/black			
	993 521 137 07 APK	Classic grey/classic grey			
	993 521 137 07 DBC	Midnight bl./midnight blue			
	993 521 137 07 DCC	Chestnut brown/ Chestnut brown			
	993 521 137 07 DDC	Marble grey/marble grey			
	993 521 137 07 ATX	Cashmere beige/cash. beige			
(4)	993 521 137 10	Cover for cushion with heating Leatherette/ Seat surface Leather		2	
	993 521 137 10 ATG	Black/black			
	993 521 137 10 APK	Classic grey/classic grey			
	993 521 137 10 DBC	Midnight bl./midnight blue			
	993 521 137 10 DCC	Chestnut brown/ Chestnut brown			
	993 521 137 10 DDC	Marble grey/marble grey			
	993 521 137 10 ATX	Cashmere beige/cash. beige			
4	993 521 137 08	Cover for cushion without heating Whole-leather		2	
	993 521 137 08 ATH	Black			

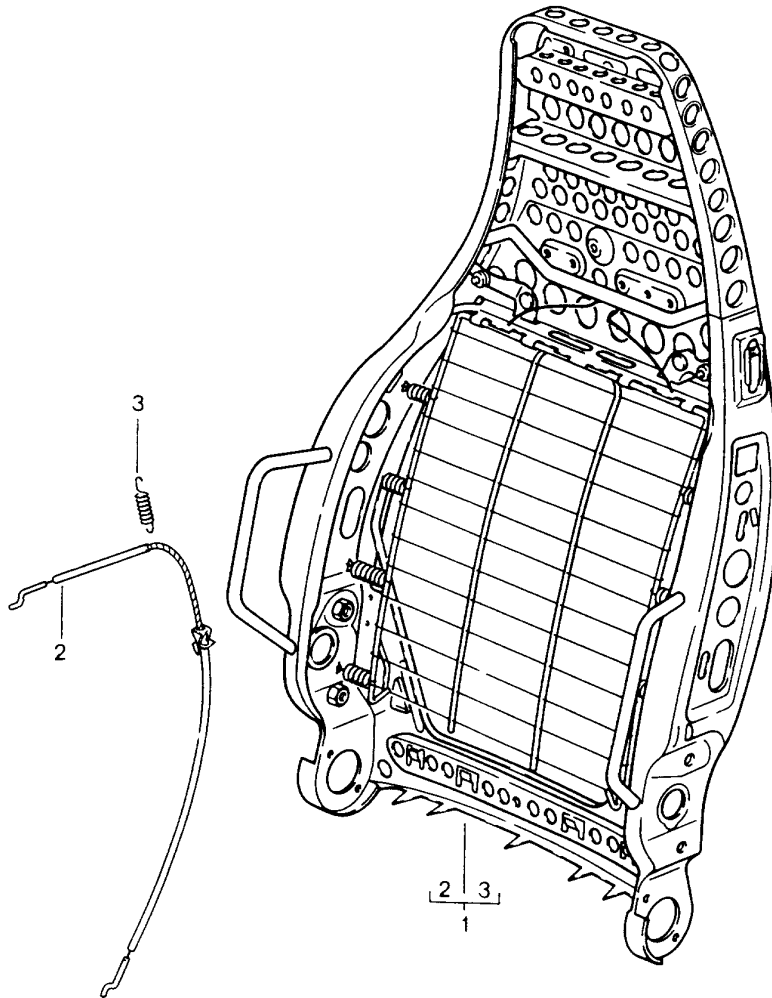
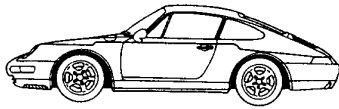
Model: STZ Model life 1985>>1998

Pos	Part Number	Description	Remark	Qty	Model
	993 521 137 08 APL	Classic grey			
	993 521 137 08 DBD	Midnight blue			
	993 521 137 08 DCD	Chestnut brown			
	993 521 137 08 DDD	Marble grey			
	993 521 137 08 ATY	Cashmere beige			
	993 521 137 08 DEC	Provence blue			
	993 521 137 08 DEE	Cedar green			
	993 521 137 08 DEF	Flamenco red			
(4)	993 521 137 11	Cover for cushion with heating Whole-leather		2	
	993 521 137 11 ATH	Black			
	993 521 137 11 APL	Classic grey			
	993 521 137 11 DBD	Midnight blue			
	993 521 137 11 DCD	Chestnut brown			
	993 521 137 11 DDD	Marble grey			
	993 521 137 11 ATY	Cashmere beige			
	993 521 137 11 DEC	Provence blue			
	993 521 137 11 DEE	Cedar green			
	993 521 137 11 DEF	Flamenco red			
-	000 043 071 00	Clamp Mount Cover Bag Content 50 Pieces		X	
(5)	993 521 393 05	Foam part Sports seat Backrest frame		1	
(6)	993 521 385 08	Foam part Seat cushion Sports seat	/L	1	
(6)	993 521 386 08	Foam part Seat cushion Sports seat	/R	1	
(6)	993 521 385 09	Foam part Seat cushion Sports seat	/L	1	
(6)	993 521 386 09	Foam part Seat cushion Sports seat with heating	/R	1	
7	993 653 901 00	Seat heater Seat surface F >>99SS3 20075 F >>99SS3 40066		1	COUPE CABRIO
(7)	993 653 901 01	Seat heater Seat surface F 99SS3 20076>> F 99SS3 40067>>		1	COUPE CABRIO
8	993 653 120 00	Seat heater Seat side bolster		1	
9	993 653 902 00	Seat heater Backrest surface F >>99SS3 20075 F >>99SS3 40066		1	COUPE CABRIO
(9)	993 653 902 01	Seat heater Backrest surface F 99SS3 20076>> F 99SS3 40067>>		1	COUPE CABRIO



Model: STZ

Model life 1985>>1998



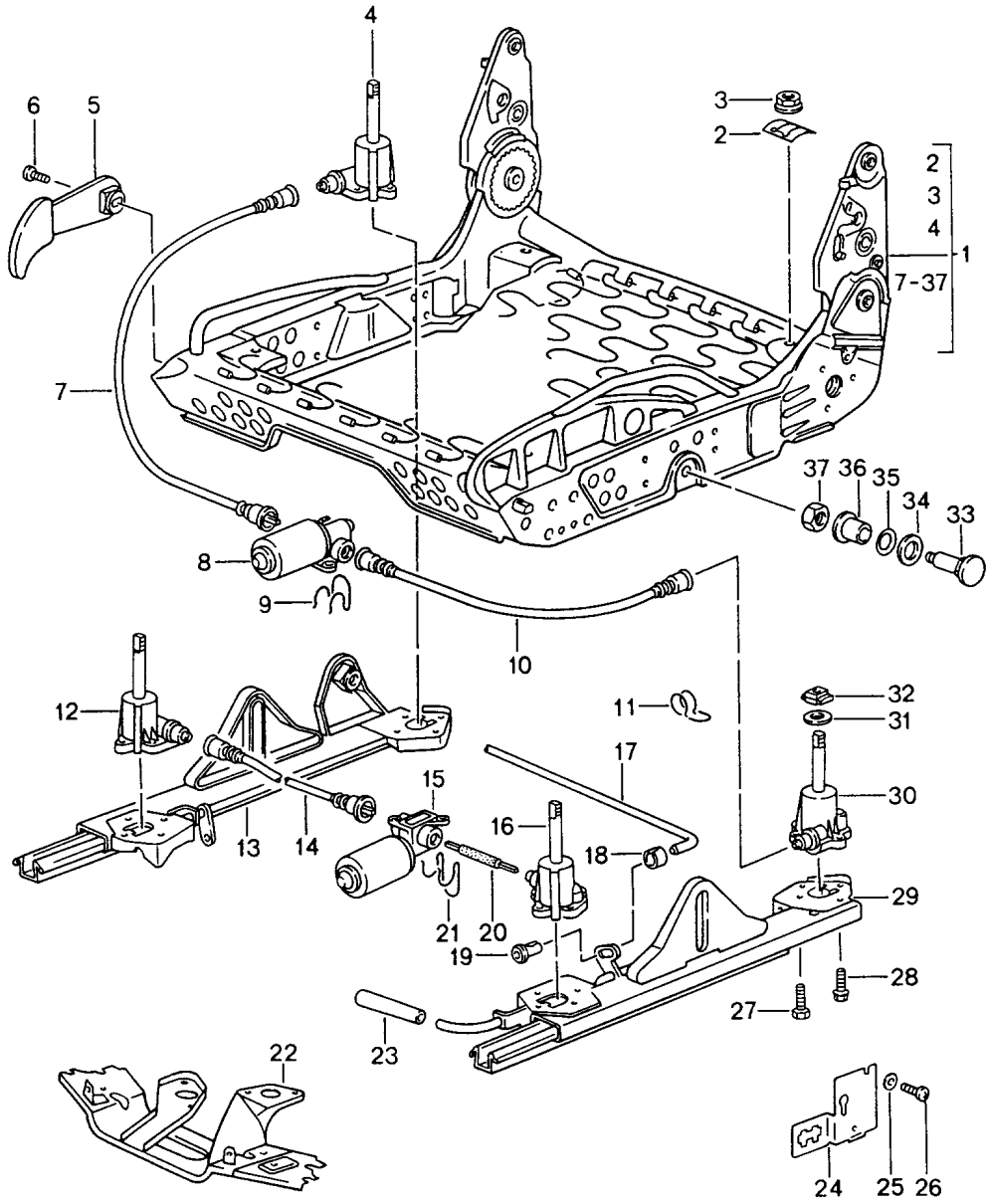
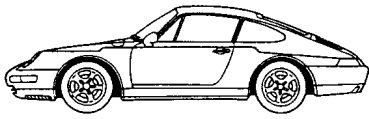
Model: STZ

Model life 1985&gt;&gt;1998

Pos	Part Number	Description	Remark	Qty	Model
		Backrest frame Sports seat	94		CARRERA
1	944 521 027 01	Backrest frame		2	
2	928 521 093 02	Bowden cable		2	
3	311 881 287 A	Tension spring for Actuating lever		2	

Model: STZ

Model life 1985>>1998



Model: STZ Model life 1985>>1998

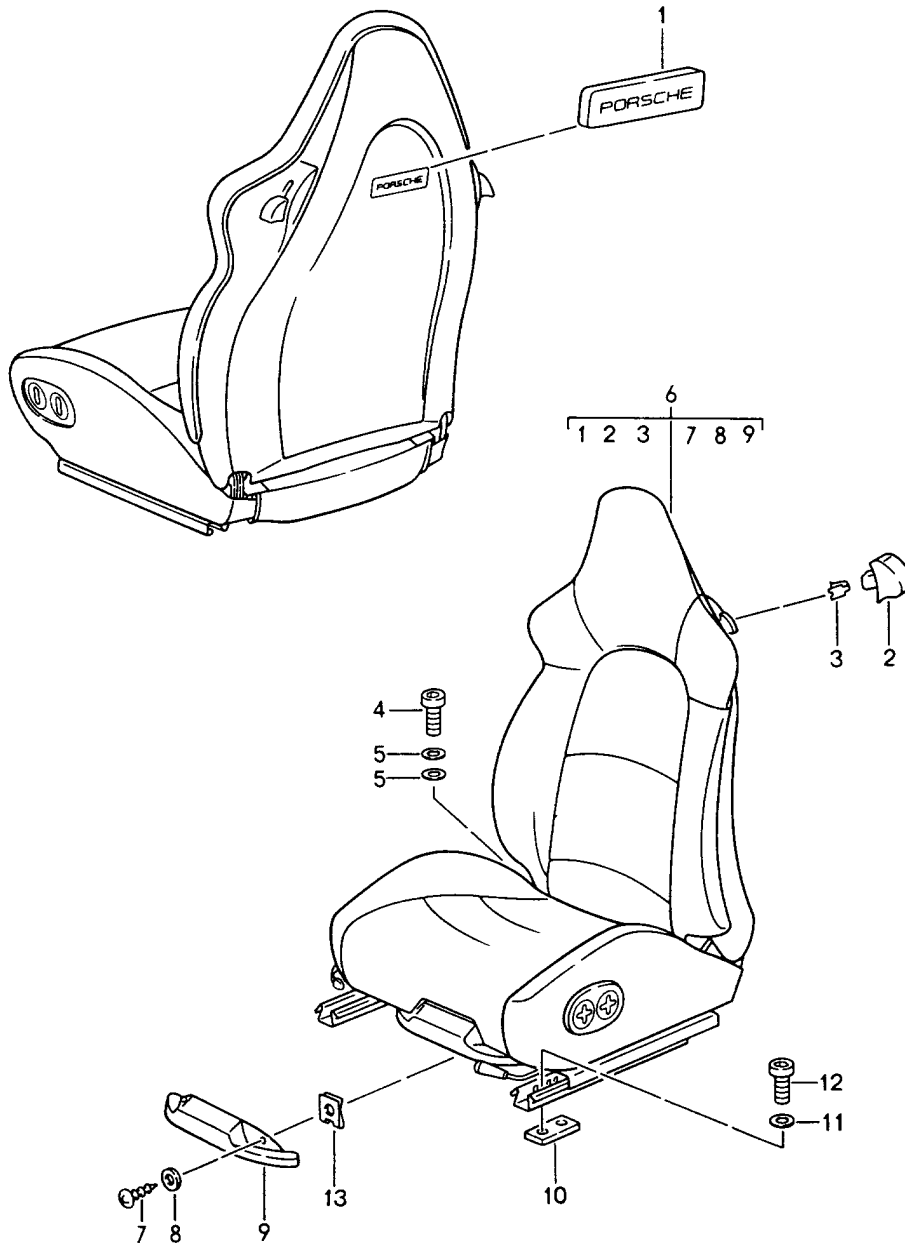
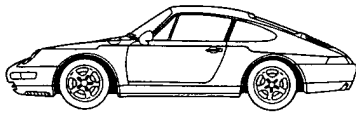
Pos	Part Number	Description	Remark	Qty	Model
		Seat frame	94		CARRERA
		Sports seat			M383/387
		Elect. vertical adjustment			
1	993 521 069 02	Seat frame	/L	1	
(1)	993 521 070 02	Seat frame	/R	1	
2	928 521 723 02	Guide spring		8	
3	928 521 730 02	Nut		8	
4	928 521 721 03	Lifting gear		4	
		Left front, right rear			
5	964 521 073 00	Lever		2	
		for backrest adjustment			
	964 521 073 00 01C	Satin black			
5	964 521 073 01	Lever		2	
		for backrest adjustment			
	964 521 073 01 01C	Black			
6	900 146 108 07	Round head screw		2	
		M 5 X 10			
7	928 521 674 05	Flexible shaft	/R	2	
		Rear vertical adjustment			
7	928 521 674 06	Flexible shaft	/R	2	
		Rear vertical adjustment			
8	928 624 126 01	Geared motor		2	
		Rear vertical adjustment			
9	928 521 675 02	Moulded spring		4	
10	928 521 673 05	Flexible shaft	/L	2	
		Rear vertical adjustment			
11	928 521 699 00	Moulded spring		6	
12	928 521 722 03	Lifting gear		4	
		Right front, left rear			
13	964 521 491 00	Seat rail		1	
		Right seat			
		Inner			
(13)	964 521 492 00	Seat rail		1	
		Left seat			
		Inner			
14	928 521 672 03	Shaft	/R	2	
		Front vertical adjustment			
15	928 624 126 01	Geared motor		2	
		Front vertical adjustment			
16	928 521 721 03	Lifting gear		4	
		Left front, right rear			
17	928 521 525 03	Connecting rod		2	
18	N 902 514 01	Clamping sleeve		4	
19	N 902 515 01	Guide bush		4	
		for longitudinal adjustment			
20	928 521 671 03	Shaft	/L	2	
		Front vertical adjustment			
21	928 521 675 02	Moulded spring		4	
22	928 521 033 02	Engine support		2	
23	911 521 533 01	Handle		2	
		for longitudinal adjustment			
	911 521 533 01 01C	Satin black			
24	928 653 503 02	Bracket		2	
25	900 025 003 02	Washer		2	
		A 5,3			
26	N 014 133 8	Oval-head screw		2	
		M 5 X 12			
27	900 186 032 02	Pan-head screw		4	
		M 6 X 12			
28	999 217 033 01	Locking screw		10	
		M 6 X 16			
29	928 521 489 11	Seat rail		1	
		Left seat			

Model: STZ Model life 1985>>1998

Pos	Part Number	Description	Remark	Qty	Model
(29)	928 521 490 11	Outer Seat rail Right seat		1	
30	928 521 722 03	Outer Lifting gear Right front, left rear		4	
31	999 025 129 40	Washer		8	
32	928 521 727 02	Slide		8	
33	928 521 681 02	Bolt		4	
34	928 521 683 02	Washer 1,5 PA 6		8	
35	999 028 015 00	Spring washer 16,2 X 0,5		8	
36	928 521 685 02	Bush		4	
37	900 034 003 02	Hexagon nut M 10 Switch And Trim for switch See illustrations 8/07/30		4	

Model: STZ

Model life 1985>>1998



Model: STZ Model life 1985>>1998

Pos	Part Number	Description	Remark	Qty	Model
		Sports seat	95-98		CARRERA
		Complete	96-98		TARGA/ TURBO
		Elect. vertical adjustment			M373/374
1	993 521 811 00	Badge		1	
2	911 521 817 00	Control button		2	
	911 521 817 00 01C	Satin black			
3	311 881 247	Clip		2	
4	900 119 030 02	Pan-head screw		6	
		M 8 X 20			
5	900 025 007 02	Washer		2	
		8,4			
		Only together with			
		Assembly			
		Seat rail			
		Rear			
5	900 025 007 03	Washer		2	
		8,4			
		Only together with			
		Assembly			
		Seat rail			
		Rear			
6	993 521 017 13	Sports seat	/L	1	M373
		without heating			
		Whole-leather			
	993 521 017 13 ATH	Black	95-98		
	993 521 017 13 APL	Classic grey	95-98		
	993 521 017 13 DBD	Midnight blue	95-98		
	993 521 017 13 DCD	Chestnut brown	95-98		
	993 521 017 13 DDD	Marble grey	95-97		
			95-97		
	993 521 017 13 ATY	Cashmere beige	95-98		
	993 521 017 13 DEC	Provence blue	95-96		
	993 521 017 13 DEE	Cedar green	95-96		
	993 521 017 13 DEF	Flamenco red	95-96		
	993 521 017 13 DEA	Rubicon grey	96-97		
	993 521 017 13 ELA	Nephrite green	97-98		
	993 521 017 13 ENA	Boxster red	97-98		
	993 521 017 13 EJX	Space grey	98		
(6)	993 521 018 13	Sports seat	/R	1	M374
		without heating			
		Whole-leather			
	993 521 018 13 ATH	Black	95-98		
	993 521 018 13 APL	Classic grey	95-98		
	993 521 018 13 DBD	Midnight blue	95-98		
	993 521 018 13 DCD	Chestnut brown	95-98		
	993 521 018 13 DDD	Marble grey	95-97		
			95-97		
	993 521 018 13 ATY	Cashmere beige	95-98		
	993 521 018 13 DEC	Provence blue	95-96		
	993 521 018 13 DEE	Cedar green	95-96		
	993 521 018 13 DEF	Flamenco red	95-96		
	993 521 018 13 DEA	Rubicon grey	96-97		
	993 521 018 13 ELA	Nephrite green	97-98		
	993 521 018 13 ENA	Boxster red	97-98		
	993 521 018 13 EJX	Space grey	98		
6	993 521 017 14	Sports seat	/L	1	M373
		with heating			
		Whole-leather			
	993 521 017 14 ATH	Black	95-98		
	993 521 017 14 APL	Classic grey	95-98		
	993 521 017 14 DBD	Midnight blue	95-98		
	993 521 017 14 DCD	Chestnut brown	95-98		

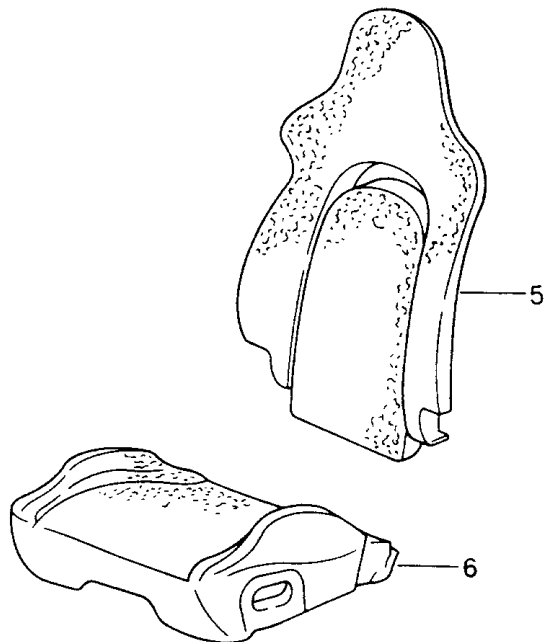
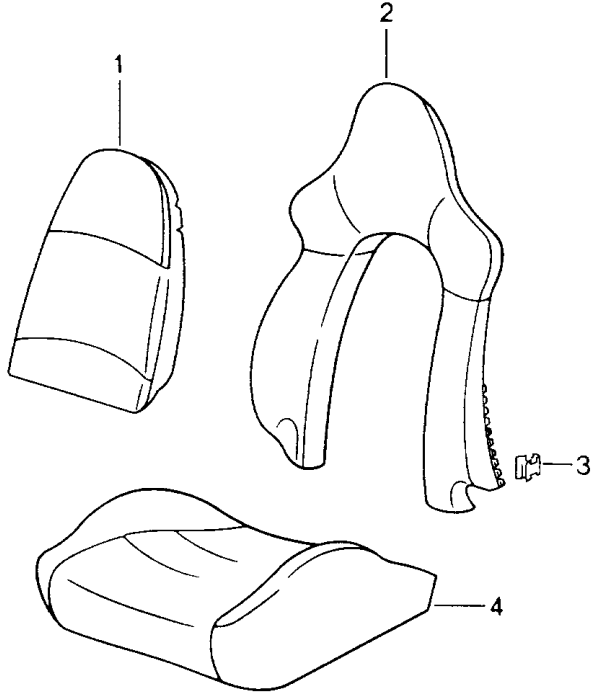
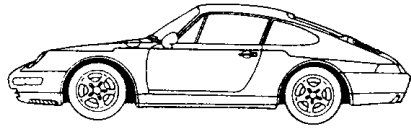
Model: STZ Model life 1985>>1998

Pos	Part Number	Description	Remark	Qty	Model
	993 521 017 14 DDD	Marble grey	95-97		
			95-97		
	993 521 017 14 ATY	Cashmere beige	95-98		
	993 521 017 14 DEC	Provence blue	95-96		
	993 521 017 14 DEE	Cedar green	95-96		
	993 521 017 14 DEF	Flamenco red	95-96		
	993 521 017 14 DEA	Rubicon grey	96-97		
	993 521 017 14 ELA	Nephrite green	97-98		
	993 521 017 14 ENA	Boxster red	97-98		
	993 521 017 14 EJX	Space grey	98		
(6)	993 521 018 14	Sports seat with heating Whole-leather	/R	1	M374
	993 521 018 14 ATH	Black	95-98		
	993 521 018 14 APL	Classic grey	95-98		
	993 521 018 14 DBD	Midnight blue	95-98		
	993 521 018 14 DCD	Chestnut brown	95-98		
	993 521 018 14 DDD	Marble grey	95-97		
			95-97		
	993 521 018 14 ATY	Cashmere beige	95-98		
	993 521 018 14 DEC	Provence blue	95-96		
	993 521 018 14 DEE	Cedar green	95-96		
	993 521 018 14 DEF	Flamenco red	95-96		
	993 521 018 14 DEA	Rubicon grey	96-97		
	993 521 018 14 ELA	Nephrite green	97-98		
	993 521 018 14 ENA	Boxster red	97-98		
	993 521 018 14 EJX	Space grey	98		
7	900 143 113 07	Oval-head screw B 4.2 X 13		2	
7	900 143 113 0G	Oval-head screw B 4.2 X 13		2	
8	900 025 044 07	Washer A 4,3		2	
9	928 521 760 05	Cover		1	
	928 521 760 05 01C	Satin black			
10	964 521 701 00	Threaded plate Front and rear 2 X M 8		3	
11	900 089 006 02	Washer 8,0		6	
11	900 089 006 01	Washer 8,0		6	
12	900 119 030 02	Pan-head screw M 8 X 20		6	
13	N 100 472 01	Speed nut ST 3.9		2	



Model: STZ

Model life 1985>>1998



Model: STZ Model life 1985>>1998

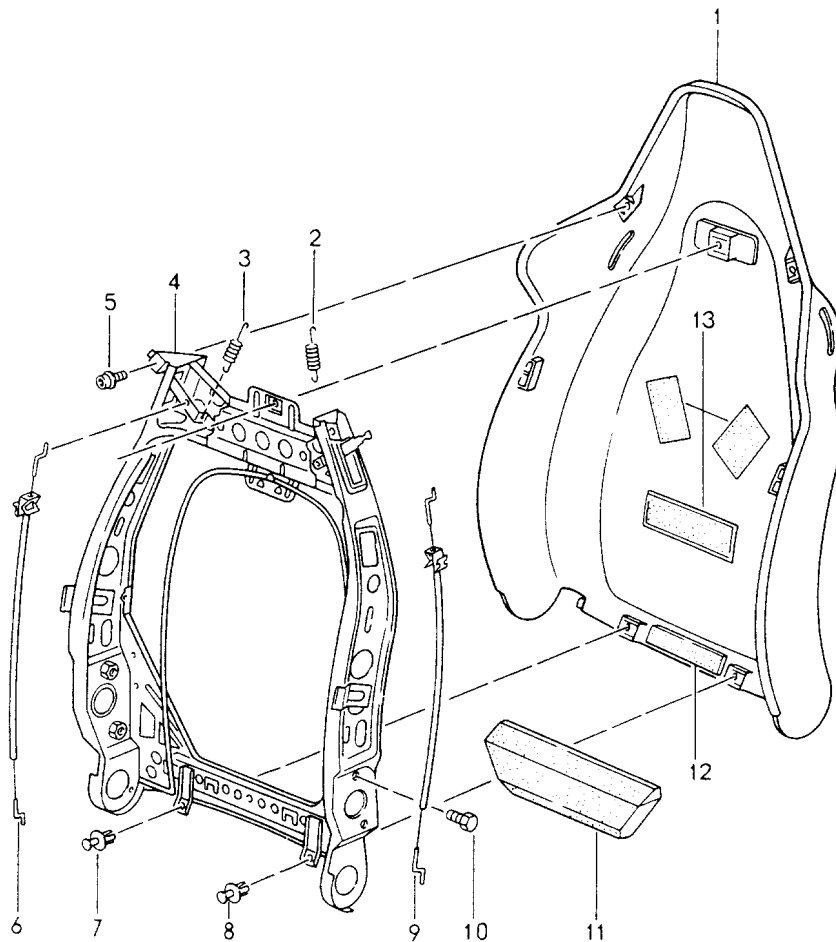
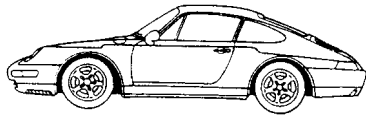
Pos	Part Number	Description	Remark	Qty	Model
		Sports seat	95-98 96-98		CARRERA TARGA/ TURBO M373/374
1	993 521 129 14	Cover Foam part Backrest cushion cover Centre part Leather without heating		1	
	993 521 129 14 ATH	Black	95-98		
	993 521 129 14 APL	Classic grey	95-98		
	993 521 129 14 DBD	Midnight blue	95-98		
	993 521 129 14 DCD	Chestnut brown	95-98		
	993 521 129 14 DDD	Marble grey	95-97		
	993 521 129 14 ATY	Cashmere beige	95-98		
	993 521 129 14 DEC	Provence blue	95-96		
	993 521 129 14 DEE	Cedar green	95-96		
	993 521 129 14 DEF	Flamenco red	95-96		
	993 521 129 14 DEA	Rubicon grey	96-97		
	993 521 129 14 ELA	Nephrite green	97-98		
	993 521 129 14 ENA	Boxster red	97-98		
	993 521 129 14 EJX	Space grey	98		
(1)	993 521 129 17	Backrest cushion cover Centre part Leather with heating		1	
	993 521 129 17 ATH	Black	95-98		
	993 521 129 17 APL	Classic grey	95-98		
	993 521 129 17 DBD	Midnight blue	95-98		
	993 521 129 17 DCD	Chestnut brown	95-98		
	993 521 129 17 DDD	Marble grey	95-97		
	993 521 129 17 ATY	Cashmere beige	95-98		
	993 521 129 17 DEC	Provence blue	95-96		
	993 521 129 17 DEE	Cedar green	95-96		
	993 521 129 17 DEF	Flamenco red	95-96		
	993 521 129 17 DEA	Rubicon grey	96-97		
	993 521 129 17 ELA	Nephrite green	97-98		
	993 521 129 17 ENA	Boxster red	97-98		
	993 521 129 17 EJX	Space grey	98		
2	993 521 127 14	Backrest cover Outer part Whole-leather		1	
	993 521 127 14 ATH	Black	95-98		
	993 521 127 14 APL	Classic grey	95-98		
	993 521 127 14 DBD	Midnight blue	95-98		
	993 521 127 14 DCD	Chestnut brown	95-98		
	993 521 127 14 DDD	Marble grey	95-97		
	993 521 127 14 ATY	Cashmere beige	95-98		
	993 521 127 14 DEC	Provence blue	95-96		
	993 521 127 14 DEE	Cedar green	95-96		
	993 521 127 14 DEF	Flamenco red	95-96		
	993 521 127 14 DEA	Rubicon grey	96-97		
	993 521 127 14 ELA	Nephrite green	97-98		
	993 521 127 14 ENA	Boxster red	97-98		
	993 521 127 14 EJX	Space grey	98		
3	999 507 526 01	Clamp		6	
4	993 521 137 14	Cover for cushion Whole-leather without heating		1	
	993 521 137 14 ATH	Black	95-98		
	993 521 137 14 APL	Classic grey	95-98		
	993 521 137 14 DBD	Midnight blue	95-98		
	993 521 137 14 DCD	Chestnut brown	95-98		

Model: STZ Model life 1985>>1998

Pos	Part Number	Description	Remark	Qty	Model
	993 521 137 14 DDD	Marble grey	95-97		
	993 521 137 14 ATY	Cashmere beige	95-98		
	993 521 137 14 DEC	Provence blue	95-96		
	993 521 137 14 DEE	Cedar green	95-96		
	993 521 137 14 DEF	Flamenco red	95-96		
	993 521 137 14 DEA	Rubicon grey	96-97		
	993 521 137 14 ELA	Nephrite green	97-98		
	993 521 137 14 ENA	Boxster red	98		
	993 521 137 14 EJX	Space grey	98		
4	993 521 137 15	Cover for cushion Whole-leather with heating		1	
	993 521 137 15 ATH	Black	95-98		
	993 521 137 15 APL	Classic grey	95-98		
	993 521 137 15 DBD	Midnight blue	95-98		
	993 521 137 15 DCD	Chestnut brown	95-98		
	993 521 137 15 DDD	Marble grey	95-97		
	993 521 137 15 ATY	Cashmere beige	95-98		
	993 521 137 15 DEC	Provence blue	95-96		
	993 521 137 15 DEE	Cedar green	95-96		
	993 521 137 15 DEF	Flamenco red	95-96		
	993 521 137 15 DEA	Rubicon grey	96-97		
	993 521 137 15 ELA	Nephrite green	97-98		
	993 521 137 15 ENA	Boxster red	97-98		
	993 521 137 15 EJX	Space grey	98		
-	000 043 071 00	Clamp Mount Cover Bag Content 50 Pieces		X	
5	993 521 135 00	Foam part Backrest Complete		1	
6	993 521 385 11	Foam part Seat cushion without heating	/L	1	
6	993 521 386 11	Foam part Seat cushion without heating	/R	1	
6	993 521 385 12	Foam part Seat cushion with heating	/L	1	
6	993 521 386 12	Foam part Seat cushion with heating	/R	1	

Model: STZ

Model life 1985>>1998

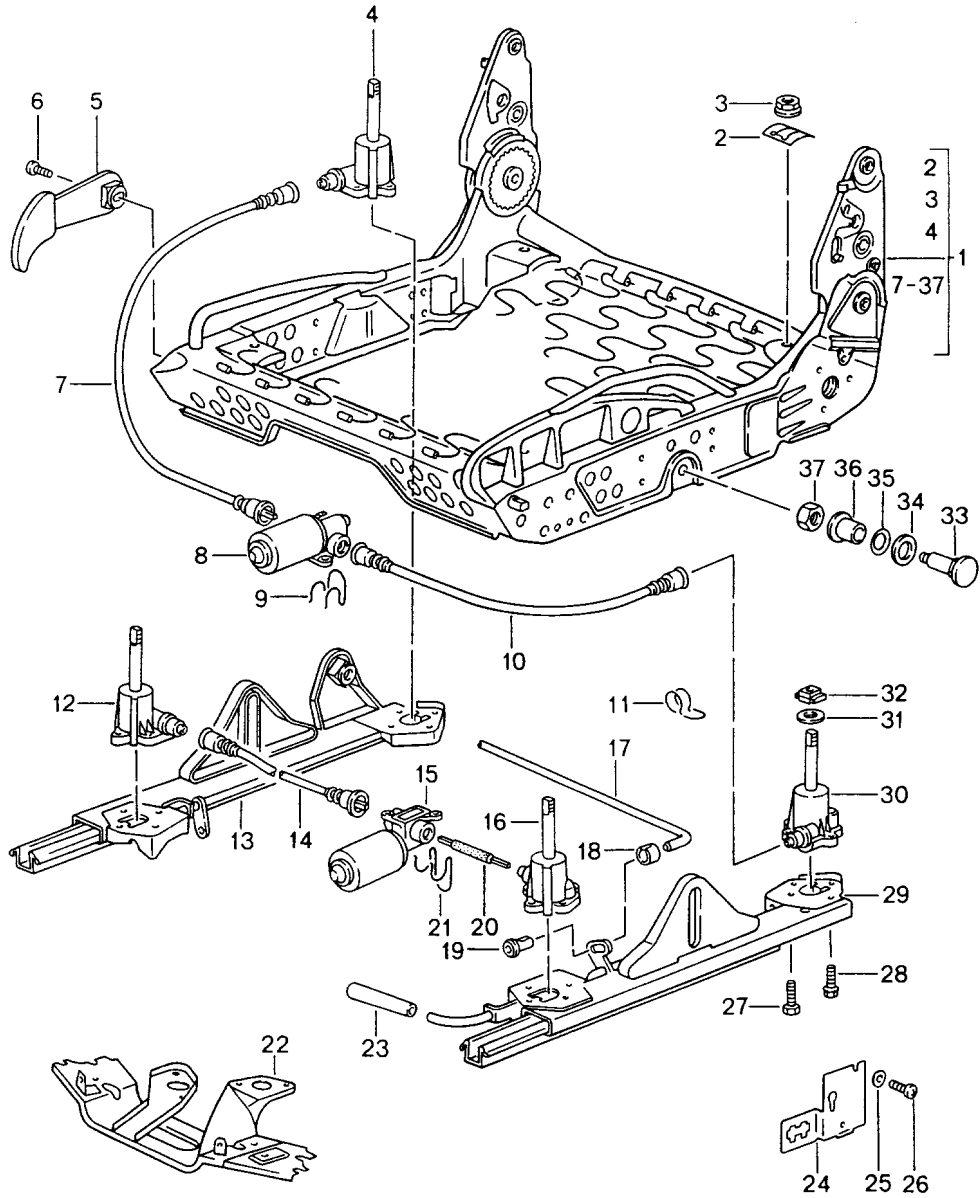
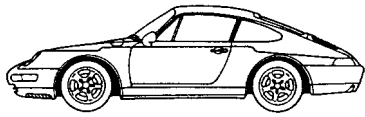


Model: STZ Model life 1985>>1998

Pos	Part Number	Description	Remark	Qty	Model
		Sports seat	95-98 96-98		CARRERA TARGA/TURBO M373/374
1	993 521 801 00	Backrest frame Single parts Backrest shell		1	
	993 521 801 00 A19	Anthracite			
2	311 881 287 A	Tension spring		1	
3		Tension spring		1	
4	993 521 057 00	Backrest frame Complete without Backrest shell		1	
5	999 218 051 02	Hexagon socket head bolt M 6 X 12		2	
6	928 521 093 02	Bowden cable for Release		1	
7	999 507 527 40	Expansion rivet		1	
8		Expansion rivet		1	
9	928 521 093 02	Bowden cable for Release		1	
10	911 521 547 00	Screw M 10		2	
11	993 521 793 00	Foam part Lumbar support		1	
12	993 521 833 00	Fleece tape 30 MM breit with Adhesive film		1	
12	PCG 521 833 00	Fleece tape Wide 30 MM Long 200 mm with Adhesive film		1	
13	993 521 823 00	Velcro strip 50 MM with Adhesive film		*	
13	PCG 521 823 00	Running meter Velcro strip Wide 50 MM Long 200 mm with Adhesive film		1	

Model: STZ

Model life 1985>>1998



Model: STZ Model life 1985&gt;&gt;1998

Pos	Part Number	Description	Remark	Qty	Model
		Seat frame	95-98		CARRERA
		Sports seat	96-98		TARGA/ TURBO
		Elect. vertical adjustment			M373/374
1	993 521 069 02	Seat frame	/L	1	
(1)	993 521 070 02	Seat frame	/R	1	
2	928 521 723 02	Guide spring		8	
3	928 521 730 02	Nut		8	
4	928 521 721 03	Lifting gear		4	
		Left front, right rear			
5	964 521 073 00	Lever		2	
		for backrest adjustment			
	964 521 073 00 01C	Satin black			
5	964 521 073 01	Lever		2	
		for backrest adjustment			
	964 521 073 01 01C	Black			
6	900 146 108 07	Round head screw		2	
		M 5 X 10			
7	928 521 674 05	Flexible shaft	/R	2	
		Rear vertical adjustment			
7	928 521 674 06	Flexible shaft	/R	2	
		Rear vertical adjustment			
8	928 624 126 01	Geared motor		2	
		Rear vertical adjustment			
9	928 521 675 02	Moulded spring		4	
10	928 521 673 05	Flexible shaft	/L	2	
		Rear vertical adjustment			
11	928 521 699 00	Moulded spring		6	
12	928 521 722 03	Lifting gear		4	
		Right front, left rear			
13	964 521 491 00	Seat rail		1	
		Right seat			
		Inner			
(13)	964 521 492 00	Seat rail		1	
		Left seat			
		Inner			
14	928 521 672 03	Shaft	/R	2	
		Front vertical adjustment			
15	928 624 126 01	Geared motor		2	
		Front vertical adjustment			
16	928 521 721 03	Lifting gear		4	
		Left front, right rear			
17	928 521 525 03	Connecting rod		2	
		for longitudinal adjustment			
18	N 902 514 01	Clamping sleeve		4	
		for longitudinal adjustment			
19	N 902 515 01	Guide bush		4	
		for longitudinal adjustment			
20	928 521 671 03	Shaft	/L	2	
		Front vertical adjustment			
21	928 521 675 02	Moulded spring		4	
22	928 521 033 02	Engine support		2	
23	911 521 533 01	Handle		2	
		for longitudinal adjustment			
	911 521 533 01 01C	Satin black			
24	928 653 503 02	Bracket		2	
25	900 025 003 02	Washer		2	
		A 5,3			
26	N 014 133 8	Oval-head screw		2	
		M 5 X 12			
27	900 186 032 02	Pan-head screw		4	
		M 6 X 12			
28	999 217 033 01	Locking screw		10	
		M 6 X 16			

Model: STZ

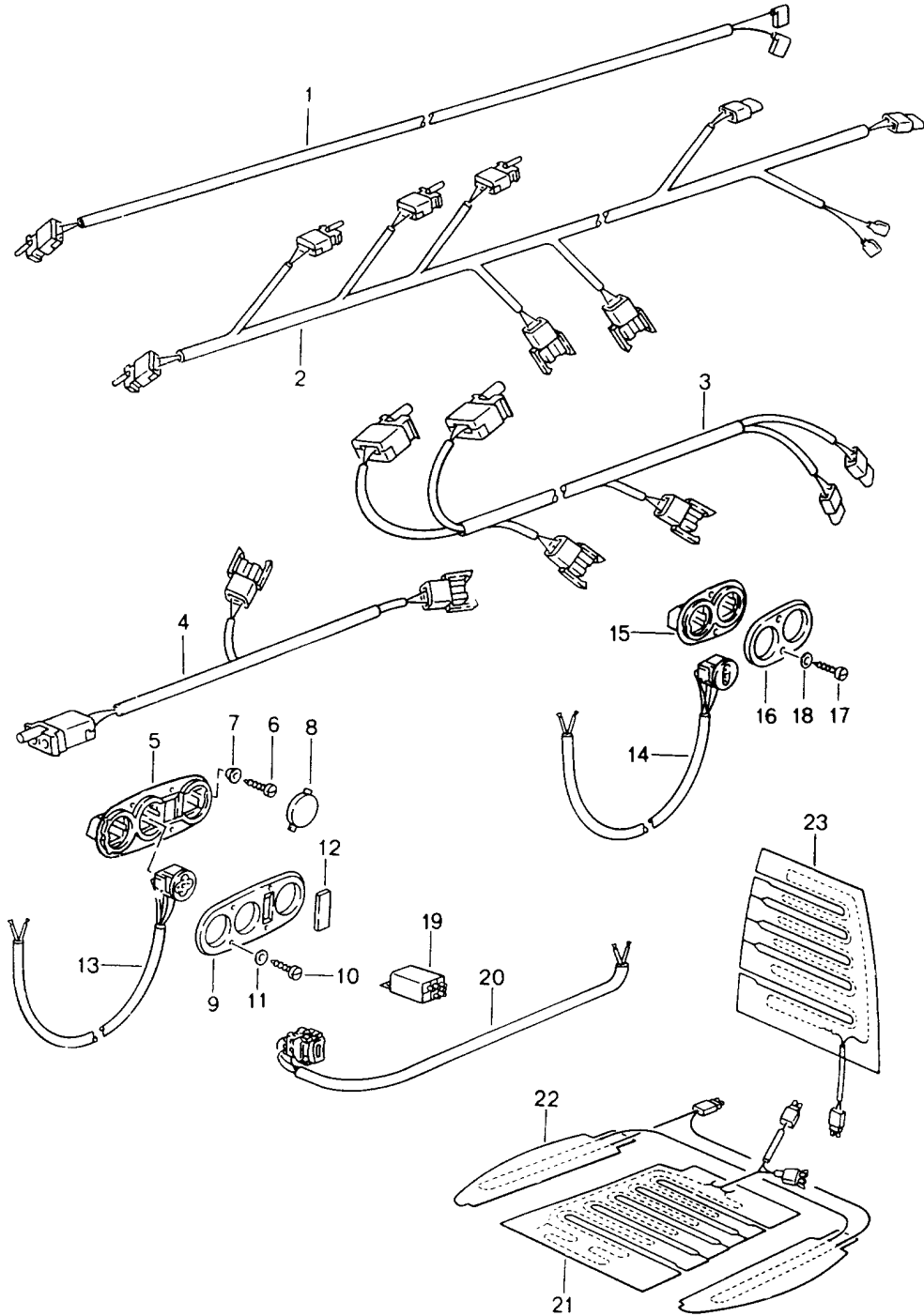
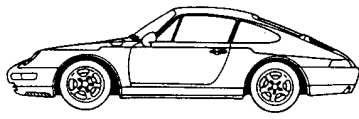
Model life 1985&gt;&gt;1998

Pos	Part Number	Description	Remark	Qty	Model
29	928 521 489 11	Seat rail Left seat Outer		1	
(29)	928 521 490 11	Seat rail Right seat Outer		1	
30	928 521 722 03	Lifting gear Right front, left rear		4	
31	999 025 129 40	Washer		8	
32	928 521 727 02	Slide		8	
33	928 521 681 02	Bolt		4	
34	928 521 683 02	Washer 1,5 PA 6		8	
35	999 028 015 00	Spring washer 16,2 X 0,5		8	
36	928 521 685 02	Bush		4	
37	900 034 003 02	Hexagon nut M 10 Switch And Trim for switch See illustrations 8/07/30		4	



Model: STZ

Model life 1985>>1998



Model: STZ Model life 1985>>1998

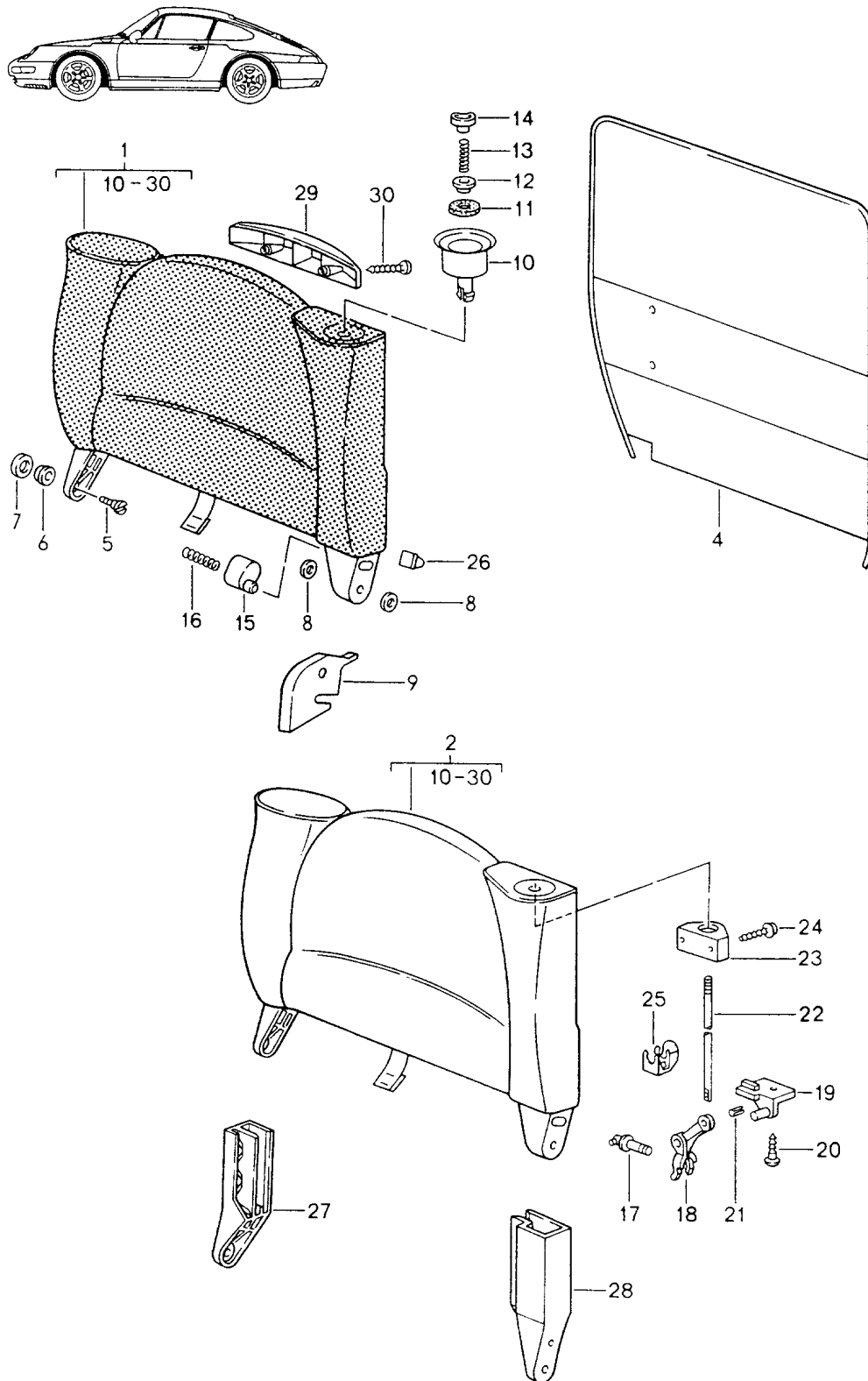
Pos	Part Number	Description	Remark	Qty	Model
		Wiring harnesses	94-98		CARRERA
		Switch	96-98		TARGA/TURBO
		Seat heater			
1	928 612 343 00	Front seat		2	
		Connecting line			
		for backrest adjustment			
2	928 612 337 00	Wiring harness		2	
		for backrest adjustment			
		Lumbar support adjustment			
		And			
		Seat heater			
3	928 612 338 00	Wiring harness		2	
		for backrest adjustment			
		And			
		Seat heater			
4	928 612 340 00	Wiring harness		2	
		Seat heater			
5	928 521 559 02	Switch insert		1	
		Seat heater			
		Lumbar support adjustment			
(5)	928 521 560 02	Switch insert		1	
		Seat heater			
		Lumbar support adjustment			
6	N 013 988 1	Counters. head tapp. screw		4	
		B 3,5 X 16			
7	999 591 849 07	Washer		4	
8	928 613 425 00	Cover		X	
		Seat heater			
9	928 521 561 03	Trim for switch		2	
		Seat heater			
		Lumbar support adjustment			
	928 521 561 03 01C	Satin black			
10	N 013 959 3	Oval-head sheetmetal screw		4	
		B 3,5 X 16			
10	900 143 016 02	Oval-head sheetmetal screw		4	
		B 3,5 X 16			
11	900 025 013 07	Washer		4	
		A 3,7			
12	944 613 259 02	Cover		X	
	944 613 259 02 1DB	Satin black			
13	928 613 182 00	Switch		2	
		for longitudinal adjustment			
		Front vertical adjustment			
(13)	928 613 183 00	Switch		2	
		for backrest adjustment			
		Rear vertical adjustment			
(13)	928 613 184 00	Switch		2	
		Lumbar support adjustment			
	928 613 184 00 01C	Satin black			
14	928 613 181 00	Switch		4	
		Front vertical adjustment			
		Rear vertical adjustment			
15	928 521 559 04	Switch insert		2	
16	928 521 561 04	Trim for switch		2	
	928 521 561 04 01C	Satin black			
17	N 013 959 3	Oval-head sheetmetal screw		4	
		B 3,5 X 16			
17	900 143 016 02	Oval-head sheetmetal screw		4	
		B 3,5 X 16			
18	900 025 013 07	Washer		4	
		A 3,7			
(19)	928 618 521 03	Control unit		2	
		Seat heater			

Model: STZ Model life 1985>>1998

Pos	Part Number	Description	Remark	Qty	Model
20	928 613 187 04 928 613 187 04 01C	See technical information 6 ZYL. GR.7D NR.1/94 Switch Satin black Seat heater		2	
21	993 653 901 00	Seat heater Seat surface F >>99SS3 20075 F >>99SS3 40066		2	COUPE CABRIO
(21)	993 653 901 01	Seat heater Seat surface F 99SS3 20076>> F 99SS3 40067>>		2	COUPE CABRIO
(21)	993 653 901 02	Seat heater Seat surface Only together with Draped leather Seat cover F 99SS3 20076>> F 99SS3 40067>>		2	COUPE CABRIO
22	993 653 120 00	Seat heater Seat side bolster		2	
23	993 653 902 00	Seat heater Backrest surface F >>99SS3 20075 F >>99SS3 40066		2	COUPE CABRIO
(23)	993 653 902 01	Seat heater Backrest surface F 99SS3 20076>> F 99SS3 40067>>		2	COUPE CABRIO
(23)	993 653 902 02	Seat heater Backrest surface Only together with Draped leather Seat cover F 99SS3 20076>> F 99SS3 40067>>		2	COUPE CABRIO

Model: STZ

Model life 1985>>1998



Model: STZ Model life 1985>>1998

Pos	Part Number	Description	Remark	Qty	Model
		Back seat backrest	94-98 96-98		COUPE TARGA/TURBO
-	993 522 031 00	with Release button Upper Foam part Back seat backrest Backrest side bolster Side section Outer Backrest side bolster for 993.522.017.00/01/02/03	94-98      /L 94-98	1	
-	993 522 032 00	Side section Outer Backrest side bolster for 993.522.018.00/01/02/03	/R 94-98	1	
-	993 522 033 00	Side section Inner Backrest side bolster for 993.522.017.00/01/02/03	/L 94-98	1	
-	993 522 034 00	Side section Inner Backrest side bolster for 993.522.018.00/01/02/03	/R 94-98	1	
(1)	993 522 017 00	Back seat backrest	/L 94- /L 96-	1	COUPE TARGA
		Cloth Porsche lettering cloth			
	993 522 017 00 PX2	Black	94-98		
	993 522 017 00 APM	Classic grey	94-98		
	993 522 017 00 DBA	Midnight blue	94-98		
	993 522 017 00 DCA	Chestnut brown	94-98		
	993 522 017 00 DDA	Marble grey	94-97		
	993 522 017 00 XK6	Cashmere beige	94-98		
1	993 522 018 00	Back seat backrest	/R 94- /R 96-	1	COUPE TARGA
		Cloth Porsche lettering cloth			
	993 522 018 00 PX2	Black	94-98		
	993 522 018 00 APM	Classic grey	94-98		
	993 522 018 00 DBA	Midnight blue	94-98		
	993 522 018 00 DCA	Chestnut brown	94-98		
	993 522 018 00 DDA	Marble grey	94-97		
	993 522 018 00 XK6	Cashmere beige	94-98		
(2)	993 522 017 01	Back seat backrest	/L 94- /L 96-	1	COUPE TARGA
		Leatherette			
	993 522 017 01 05T	Black	94-98		
	993 522 017 01 2WJ	Classic grey	94-98		
	993 522 017 01 6HP	Midnight blue	94-98		
	993 522 017 01 7PD	Chestnut brown	94-98		
	993 522 017 01 8CF	Marble grey	94-97		
	993 522 017 01 7RT	Cashmere beige			
2	993 522 018 01	Back seat backrest	/R 94- /R 96-	1	COUPE TARGA
		Leatherette			
	993 522 018 01 05T	Black	94-98		
	993 522 018 01 2WJ	Classic grey	94-98		
	993 522 018 01 6HP	Midnight blue	94-98		

Model: STZ Model life 1985>>1998

Pos	Part Number	Description	Remark	Qty	Model
(2)	993 522 018 01 7PD	Chestnut brown	94-98	1	COUPE TARGA/TURBO
	993 522 018 01 8CF	Marble grey	94-97		
	993 522 018 01 7RT	Cashmere beige			
	993 522 017 03	Back seat backrest	/L 94- /L 96-		
		Whole-leather			
	993 522 017 03 8YR	Black	94-98		
	993 522 017 03 6XL	Classic grey	94-98		
	993 522 017 03 H24	Midnight blue	94-98		
	993 522 017 03 T15	Chestnut brown	94-98		
	993 522 017 03 3QN	Marble grey	94-97		
	993 522 017 03 4YU	Cashmere beige	94-98		
	993 522 017 03 G43	Provence blue	94-96		
	993 522 017 03 K03	Cedar green	94-96		
	993 522 017 03 8SE	Flamenco red	94-96		
	2	993 522 017 03 E38	Rubicon grey		
993 522 017 03 J30		Nephrite green	97-98		
993 522 017 03 M30		Boxster red	97-98		
993 522 017 03 B50		Space grey	98		
993 522 018 03		Back seat backrest	/R 94- /R 96-		
		Whole-leather			
993 522 018 03 8YR		Black	94-98		
993 522 018 03 6XL		Classic grey	94-98		
993 522 018 03 H24		Midnight blue	94-98		
993 522 018 03 T15		Chestnut brown	94-98		
993 522 018 03 3QN		Marble grey	94-97		
993 522 018 03 4YU		Cashmere beige	94-98		
993 522 018 03 G43		Provence blue	94-96		
993 522 018 03 K03		Cedar green	94-96		
993 522 018 03 8SE		Flamenco red	94-96		
(2)	993 522 018 03 E38	Rubicon grey	96-97	1	COUPE TARGA/TURBO
	993 522 018 03 J30	Nephrite green	97-98		
	993 522 018 03 M30	Boxster red	97-98		
	993 522 018 03 B50	Space grey	98		
	993 522 017 02	Back seat backrest	/L 94- /L 96-		
		Draped leather			
	993 522 017 02 8YR	Black	94-98		
	993 522 017 02 6XL	Classic grey	94-98		
	993 522 017 02 H24	Midnight blue	94-98		
	993 522 017 02 T15	Chestnut brown	94-98		
	993 522 017 02 3QN	Marble grey	94-97		
	993 522 017 02 4YU	Cashmere beige	94-98		
	993 522 017 02 G43	Provence blue	94-96		
	993 522 017 02 K03	Cedar green	94-96		
	993 522 017 02 8SE	Flamenco red	94-96		
2	993 522 017 02 E38	Rubicon grey	96-97	1	COUPE TARGA/TURBO
	993 522 017 02 J30	Nephrite green	97-98		
	993 522 017 02 M30	Boxster red	97		
	993 522 017 02 B50	Space grey	98		
	993 522 018 02	Back seat backrest	/R 94- /R 96-		
		Draped leather			
	993 522 018 02 8YR	Black	94-98		
	993 522 018 02 6XL	Classic grey	94-98		
	993 522 018 02 H24	Midnight blue	94-98		
	993 522 018 02 T15	Chestnut brown	94-98		
	993 522 018 02 3QN	Marble grey	94-97		
	993 522 018 02 4YU	Cashmere beige	94-98		
	993 522 018 02 G43	Provence blue	94-96		
	993 522 018 02 K03	Cedar green	94-96		
	993 522 018 02 8SE	Flamenco red	94-96		

Model: STZ Model life 1985>>1998

Pos	Part Number	Description	Remark	Qty	Model
(4)	993 522 018 02 E38	Rubicon grey	96-97	1	COUPE TARGA
	993 522 018 02 J30	Nephrite green	97-98		
	993 522 018 02 M30	Boxster red	97		
	993 522 018 02 B50	Space grey	98		
	993 522 173 00	Carpet	/L 94- /L 96-		
		for Back seat backrest			
	993 522 173 00 5FV	Black	94-98		
	993 522 173 00 4XR	Classic grey	94-98		
	993 522 173 00 3GE	Midnight blue	94-98		
	993 522 173 00 6SC	Chestnut brown	94-98		
	993 522 173 00 DDQ	Florentine grey	94-97		
	993 522 173 00 8UT	Cashmere beige	94-98		
	993 522 173 00 1HQ	Provence blue	94-96		
	993 522 173 00 2JP	Cedar green	94-96		
4	993 522 173 00 3TE	Flamenco red	94-96	1	COUPE TARGA
	993 522 173 00 8AS	Rubicon grey	96-98		
	993 522 173 00 J30	Nephrite green	97-98		
	993 522 173 00 M30	Boxster red	97-98		
	993 522 174 00	Carpet	/R 94- /R 96-		
		for Back seat backrest			
	993 522 174 00 5FV	Black	94-98		
	993 522 174 00 4XR	Classic grey	94-98		
	993 522 174 00 3GE	Midnight blue	94-98		
	993 522 174 00 6SC	Chestnut brown	94-98		
	993 522 174 00 DDQ	Florentine grey	94-97		
	993 522 174 00 8UT	Cashmere beige	94-98		
	993 522 174 00 1HQ	Provence blue	94-96		
	993 522 174 00 2JP	Cedar green	94-96		
(4)	993 522 174 00 3TE	Flamenco red	94-96	1	TURBO
	993 522 174 00 8AS	Rubicon grey	96-98		
	993 522 174 00 J30	Nephrite green	97-98		
	993 522 174 00 M30	Boxster red	97-98		
	993 522 173 03	Carpet	/L		
		for Back seat backrest with Logo Turbo			
	993 522 173 03 ATS	Black			
	993 522 173 03 ATV	Classic grey			
	993 522 173 03 3GE	Midnight blue			
	993 522 173 03 6SC	Chestnut brown			
	993 522 173 03 DDQ	Florentine grey			
	993 522 173 03 8UT	Cashmere beige			
	993 522 173 03 1HQ	Provence blue			
	993 522 173 03 2JP	Cedar green			
993 522 173 03 3TE	Flamenco red				
(4)	993 522 173 03 ATN	Rubicon grey	96-98	1	TURBO
	993 522 173 03 J30	Nephrite green	97-98		
	993 522 173 03 M30	Boxster red	97-98		
	993 522 174 03	Carpet	/R		
		for Back seat backrest with Logo Turbo			
	993 522 174 03 ATS	Black			
	993 522 174 03 ATV	Classic grey			
	993 522 174 03 3GE	Midnight blue			

Model: STZ Model life 1985>>1998

Pos	Part Number	Description	Remark	Qty	Model
	993 522 174 03 6SC	Chestnut brown			
	993 522 174 03 DDQ	Florentine grey			
	993 522 174 03 8UT	Cashmere beige			
	993 522 174 03 1HQ	Provence blue			
	993 522 174 03 2JP	Cedar green			
	993 522 174 03 3TE	Flamenco red			
	993 522 174 03 ATN	Rubicon grey	96-98		
	993 522 174 03 J30	Nephrite green	97-98		
	993 522 174 03 M30	Boxster red	97-98		
(4)	993 522 573 04	Carpet for Back seat backrest with Logo	/L 97-98	1	TURBO S
	993 522 573 04 5FV	Black	97-98		
	993 522 573 04 3GE	Midnight blue	97-98		
	993 522 573 04 8AS	Rubicon grey	97-98		
	993 522 573 04 4XR	Classic grey	97-98		
	993 522 573 04 8UT	Cashmere beige	97-98		
	993 522 573 04 6SC	Chestnut brown	97-98		
	993 522 573 04 J30	Nephrite green	97-98		
	993 522 573 04 M30	Boxster red	97-98		
(4)	993 522 980 00	Carpet for Back seat backrest with Logo	/L 97-98	1	TURBO S
	993 522 980 00 5FV	Black	97-98		
	993 522 980 00 3GE	Midnight blue	97-98		
	993 522 980 00 8AS	Rubicon grey	97-98		
	993 522 980 00 4XR	Classic grey	97-98		
	993 522 980 00 8UT	Cashmere beige	97-98		
	993 522 980 00 6SC	Chestnut brown	97-98		
	993 522 980 00 J30	Nephrite green	97-98		
	993 522 980 00 M30	Boxster red	97-98		
(4)	993 522 574 04	Carpet for Back seat backrest with Logo	/R 97-98	1	TURBO S
	993 522 574 04 5FV	Black	97-98		
	993 522 574 04 3GE	Midnight blue	97-98		
	993 522 574 04 8AS	Rubicon grey	97-98		
	993 522 574 04 4XR	Classic grey	97-98		
	993 522 574 04 8UT	Cashmere beige	97-98		
	993 522 574 04 6SC	Chestnut brown	97-98		
	993 522 574 04 J30	Nephrite green	97-98		
	993 522 574 04 M30	Boxster red	97-98		
(4)	993 522 981 00	Carpet for Back seat backrest with Logo TURBO S	/R 97-98	1	TURBO S
	993 522 981 00 5FV	Black	97-98		
	993 522 981 00 3GE	Midnight blue	97-98		
	993 522 981 00 8AS	Rubicon grey	97-98		
	993 522 981 00 4XR	Classic grey	97-98		
	993 522 981 00 8UT	Cashmere beige	97-98		
	993 522 981 00 6SC	Chestnut brown	97-98		
	993 522 981 00 J30	Nephrite green	97-98		
	993 522 981 00 M30	Boxster red	97-98		
-	911 522 065 00	Retaining strap		2	



Model: STZ Model life 1985>>1998

Pos	Part Number	Description	Remark	Qty	Model
	911 522 065 00 70A	Black			
5	900 236 001 07	Oval-head screw M 8 X 10		2	
5	900 236 001 03	Oval-head screw M 8 X 10		2	
6	901 522 509 20	Bearing sleeve		2	
7	901 522 365 20	Cap		2	
8	999 704 160 40	Rubber washer		4	
9	964 522 517 00	Cover		1	
	964 522 517 00 01C	Satin black			
10	944 522 315 00	Rosette		2	
	944 522 315 00 01C	Satin black			
11	944 522 319 00	Guide piece		2	
12	964 522 363 00	Washer		2	
13	999 521 068 07	Compression spring		2	
14	944 522 317 00	Push button		2	
	944 522 317 00 01C	Satin black			
15	964 522 197 00	Bolt		2	
16	964 803 659 00	Compression spring		2	
17	964 522 199 00	Control lever		2	
18	964 522 603 01	Reverse lever		2	
(19)	964 522 601 01	Bearing	/L	1	
19	964 522 602 01	Bearing	/R	1	
20	900 316 008 02	Screw 3,5 X 22		2	
21	900 095 126 01	Roll pin 2,5 X 5		2	
21	900 095 126 0B	Roll pin 2,5 X 5		2	
(22)	993 522 701 00	Operating rod	/L	1	
22	993 522 702 00	Operating rod	/R	1	
23	964 522 721 00	Bearing		2	
24	999 919 065 07	Combination screw 5 X 20		4	
25	964 522 605 00	Torsion protection		2	
26	999 703 402 40	Buffer		2	
(27)	964 522 593 00	Hinge Outer	/L	1	
	964 522 593 00 01C	Satin black			
27	964 522 594 00	Hinge Outer	/R	1	
	964 522 594 00 01C	Satin black			
(28)	964 522 195 00	Hinge Inner	/L	1	
	964 522 195 00 01C	Satin black			
28	964 522 196 00	Hinge Inner	/R	1	
	964 522 196 00 01C	Satin black			
29	993 522 421 00	Stop		2	
	993 522 421 00 01C	Satin black			
(29)	996 522 421 00	Stop		2	
	996 522 421 00 01C	Satin black			
30	999 073 050 02	Tapping screw 3,5 X 19		4	



Model: STZ Model life 1985>>1998

Pos	Part Number	Description	Remark	Qty	Model
		Back seat backrest System with 3-point automat. seat belt	94-98 (CDN) (USA) (AUS) (J) (NZ)		CABRIO M335
1	900 145 071 07	Tapping screw 3,5 X 13		2	
2	999 591 102 17	Washer 3,5		2	
2	999 591 102 1H	Washer 3,5		2	
3	993 522 237 00	Cover Carpet Rear		1	
	993 522 237 00 5FV	Black	94-98		
	993 522 237 00 4XR	Classic grey	94-98		
	993 522 237 00 3GE	Midnight blue	94-98		
	993 522 237 00 6SC	Chestnut brown	94-98		
	993 522 237 00 DDQ	Florentine grey	94-97		
	993 522 237 00 8UT	Cashmere beige	94-98		
	993 522 237 00 1HQ	Provence blue	94-96		
	993 522 237 00 2JP	Cedar green	94-96		
	993 522 237 00 3TE	Flamenco red	94-96		
	993 522 237 00 8AS	Rubicon grey	96-98		
	993 522 237 00 J30	Nephrite green	97-98		
	993 522 237 00 M30	Boxster red	97-98		
4	900 380 001 02	Nut VM 5		1	
5	999 507 438 40	Support		2	
6	993 522 037 00	Lining Seat belt Leatherette		1	
	993 522 037 00 05T	Black	94-98		
	993 522 037 00 2WJ	Classic grey	94-98		
	993 522 037 00 6HP	Midnight blue	94-98		
	993 522 037 00 7PD	Chestnut brown	94-98		
	993 522 037 00 8CF	Marble grey	94-97		
	993 522 037 00 7RT	Cashmere beige	94-98		
(6)	993 522 037 01	Lining Seat belt Whole-leather		1	
	993 522 037 01 8YR	Black	94-98		
	993 522 037 01 6XL	Classic grey	94-98		
	993 522 037 01 H24	Midnight blue	94-98		
	993 522 037 01 T15	Chestnut brown	94-98		
	993 522 037 01 3QN	Marble grey	94-97		
	993 522 037 01 4YU	Cashmere beige	94-98		
	993 522 037 01 G43	Provence blue	94-96		
	993 522 037 01 K03	Cedar green	94-96		
	993 522 037 01 8SE	Flamenco red	94-96		
	993 522 037 01 E38	Rubicon grey	96-97		
	993 522 037 01 J30	Nephrite green	97-98		
	993 522 037 01 M30	Boxster red	97-98		
	993 522 037 01 B50	Space grey	98		
7	900 145 071 07	Tapping screw 3,5 X 13		2	
8	999 591 879 02	Speed nut ST 4,2		2	
9	900 151 048 09	Washer 4,3		2	
10	900 145 026 07	Tapping screw 4,2 X 22		2	
11	311 867 169	Cap		2	

Model: STZ Model life 1985>>1998

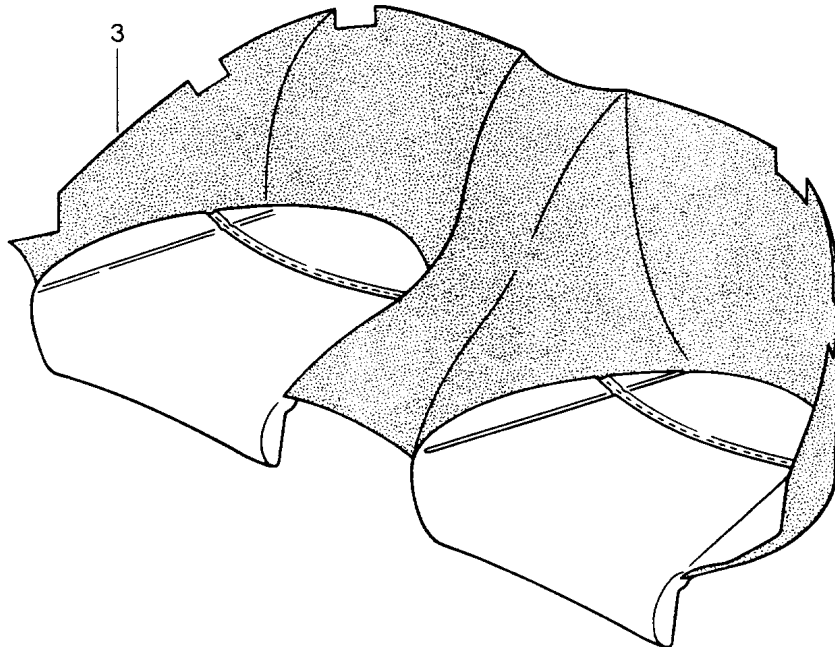
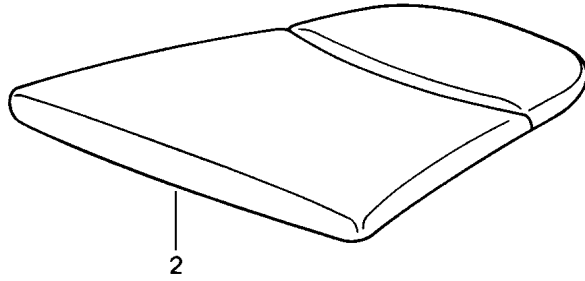
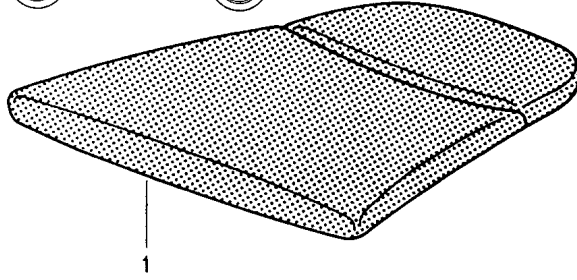
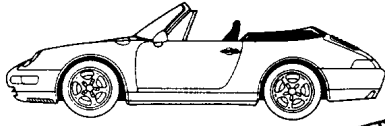
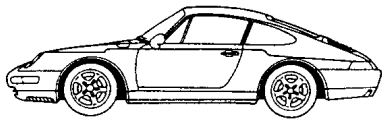
Pos	Part Number	Description	Remark	Qty	Model
	311 867 169 01C	Black			
	311 867 169 4XC	Classic grey			
	311 867 169 2GS	Midnight blue			
	311 867 169 4PV	Chestnut brown			
12	900 145 026 07	Tapping screw 4,2 X 22		2	
13	999 025 249 00	Washer		2	
14	993 522 733 00	Washer Foam part Foam part Back seat backrest	94-98	1	Cabrio
-	993 522 031 00	Backrest side bolster Side section Outer Backrest side bolster for 993.522.017.08/09/10/11	/L 94-98	1	
-	993 522 032 00	Side section Outer Backrest side bolster for 993.522.018.08/09/10/11	/R 94-98	1	
-	993 522 033 01	Side section Inner Backrest side bolster for 993.522.017.08/09/10/11	/L 94-98	1	
-	993 522 034 01	Side section Inner Backrest side bolster for 993.522.018.08/09/10/11	/R 94-98	1	
(15)	993 522 005 08	Back seat backrest Porsche lettering cloth	/L	1	
	993 522 005 08 DDR	Black	94-98		
	993 522 005 08 DDS	Classic grey	94-98		
	993 522 005 08 DDT	Midnight blue	94-98		
	993 522 005 08 DDU	Chestnut brown	94-98		
	993 522 005 08 DDV	Marble grey	94-97		
	993 522 005 08 DDW	Cashmere beige	94-98		
(15)	993 522 006 08	Back seat backrest Porsche lettering cloth	/R	1	
	993 522 006 08 DDR	Black	94-98		
	993 522 006 08 DDS	Classic grey	94-98		
	993 522 006 08 DDT	Midnight blue	94-98		
	993 522 006 08 DDU	Chestnut brown	94-98		
	993 522 006 08 DDV	Marble grey	94-97		
	993 522 006 08 DDW	Cashmere beige	94-98		
15	993 522 005 09	Back seat backrest Leatherette	/L	1	
	993 522 005 09 SM3	Black	94-98		
	993 522 005 09 APU	Classic grey	94-98		
	993 522 005 09 DBS	Midnight blue	94-98		
	993 522 005 09 DCL	Chestnut brown	94-98		
	993 522 005 09 DDX	Marble grey	94-97		
	993 522 005 09 DDY	Cashmere beige	94-98		
(15)	993 522 006 09	Back seat backrest Leatherette	/R	1	
	993 522 006 09 SM3	Black	94-98		
	993 522 006 09 APU	Classic grey	94-98		
	993 522 006 09 DBS	Midnight blue	94-98		
	993 522 006 09 DCL	Chestnut brown	94-98		
	993 522 006 09 DDX	Marble grey	94-97		

Model: STZ Model life 1985>>1998

Pos	Part Number	Description	Remark	Qty	Model
15	993 522 006 09 DDY	Cashmere beige	94-98	1	
	993 522 005 11	Back seat backrest Whole-leather	/L		
	993 522 005 11 ATZ	Black	94-98		
	993 522 005 11 APV	Classic grey	94-98		
	993 522 005 11 DBT	Midnight blue	94-98		
	993 522 005 11 DCM	Chestnut brown	94-98		
	993 522 005 11 DCN	Marble grey	94-97		
	993 522 005 11 DCP	Cashmere beige	94-98		
	993 522 005 11 DCQ	Provence blue	94-96		
	993 522 005 11 DFL	Cedar green	94-96		
	993 522 005 11 DFM	Flamenco red	94-96		
	993 522 005 11 DCX	Rubicon grey	96-98		
	993 522 005 11 J30	Nephrite green	97-98		
	993 522 005 11 M30	Boxster red	97-98		
	993 522 005 11 B50	Space grey	98		
(15)	993 522 006 11	Back seat backrest Whole-leather	/R	1	
	993 522 006 11 ATZ	Black	94-98		
	993 522 006 11 APV	Classic grey	94-98		
	993 522 006 11 DBT	Midnight blue	94-98		
	993 522 006 11 DCM	Chestnut brown	94-98		
	993 522 006 11 DCN	Marble grey	94-97		
	993 522 006 11 DCP	Cashmere beige	94-98		
	993 522 006 11 DCQ	Provence blue	94-96		
	993 522 006 11 DFL	Cedar green	94-96		
	993 522 006 11 DFM	Flamenco red	94-96		
	993 522 006 11 DCX	Rubicon grey	96-98		
	993 522 006 11 J30	Nephrite green	97-98		
	993 522 006 11 M30	Boxster red	97-98		
	993 522 006 11 B50	Space grey	98		
	(15)	993 522 005 10	Back seat backrest Draped leather		
993 522 005 10 ATZ		Black	94-98		
993 522 005 10 APV		Classic grey	94-98		
993 522 005 10 DBT		Midnight blue	94-98		
993 522 005 10 DCM		Chestnut brown	94-98		
993 522 005 10 DCN		Marble grey	94-97		
993 522 005 10 DCP		Cashmere beige	94-98		
993 522 005 10 DCQ		Provence blue	94-96		
993 522 005 10 DFL		Cedar green	94-96		
993 522 005 10 DFM		Flamenco red	94-96		
993 522 005 10 DCX		Rubicon grey	96-97		
993 522 005 10 J30		Nephrite green	97-98		
993 522 005 10 M30		Boxster red	97-98		
993 522 005 10 B50		Space grey	98		
(15)		993 522 006 10	Back seat backrest Draped leather	/R	1
	993 522 006 10 ATZ	Black	94-98		
	993 522 006 10 APV	Classic grey	94-98		
	993 522 006 10 DBT	Midnight blue	94-98		
	993 522 006 10 DCM	Chestnut brown	94-98		
	993 522 006 10 DCN	Marble grey	94-97		
	993 522 006 10 DCP	Cashmere beige	94-98		
	993 522 006 10 DCQ	Provence blue	94-96		
	993 522 006 10 DFL	Cedar green	94-96		
	993 522 006 10 DFM	Flamenco red	94-96		
	993 522 006 10 DCX	Rubicon grey	96-97		
	993 522 006 10 J30	Nephrite green	97-98		
	993 522 006 10 M30	Boxster red	97-98		
	993 522 006 10 B50	Space grey	98		
	16	900 380 005 09	Hexagon nut M 8		

Model: STZ

Model life 1985>>1998



Model: STZ Model life 1985>>1998

Pos	Part Number	Description	Remark	Qty	Model	
1	993 522 051 00	Back seat cushion	94-98	1	COUPE/CABRIO TARGA/TURBO COUPE/CABRIO TARGA	
		Back seat cushion	96-98			
			/L 94-			
			/L 96-			
		Cloth				
		Porsche lettering cloth				
		993 522 051 00 2CZ	Black			94-98
		993 522 051 00 6WC	Classic grey			94-98
		993 522 051 00 4GP	Midnight blue			94-98
		993 522 051 00 7SA	Chestnut brown			94-98
(1)	993 522 051 00	993 522 051 00 9BE	Marble grey	94-97		
		993 522 051 00 7TH	Cashmere beige	94-98		
		993 522 052 00	Back seat cushion	/R 94-		
			/R 96-			
		Cloth				
		Porsche lettering cloth				
		993 522 052 00 2CZ	Black	94-98		
		993 522 052 00 6WC	Classic grey	94-98		
		993 522 052 00 4GP	Midnight blue	94-98		
		993 522 052 00 7SA	Chestnut brown	94-98		
2	993 522 051 01	993 522 052 00 9BE	Marble grey	94-97		
		993 522 052 00 7TH	Cashmere beige	94-98		
		993 522 051 01	Back seat cushion	/L 94-		
			/L 96-			
		Leatherette				
		993 522 051 01 43S	Black	94-98		
		993 522 051 01 2WJ	Classic grey	94-98		
		993 522 051 01 6HP	Midnight blue	94-98		
		993 522 051 01 7PD	Chestnut brown	94-98		
		993 522 051 01 8CF	Marble grey	94-97		
(2)	993 522 051 01	993 522 051 01 7RT	Cashmere beige	94-98		
		993 522 052 01	Back seat cushion	/R 94-		
			/R 96-			
		Leatherette				
		993 522 052 01 43S	Black	94-98		
		993 522 052 01 2WJ	Classic grey	94-98		
		993 522 052 01 6HP	Midnight blue	94-98		
		993 522 052 01 7PD	Chestnut brown	94-98		
		993 522 052 01 8CF	Marble grey	94-97		
		993 522 052 01 7RT	Cashmere beige	94-98		
2	993 522 051 02	993 522 051 02	Back seat cushion	/L 94-		
			/L 96-			
		Whole-leather				
		993 522 051 02 8YR	Black	94-98		
		993 522 051 02 6XL	Classic grey	94-98		
		993 522 051 02 H24	Midnight blue	94-98		
		993 522 051 02 T15	Chestnut brown	94-98		
		993 522 051 02 3QN	Marble grey	94-97		
		993 522 051 02 4YU	Cashmere beige	94-98		
		993 522 051 02 G43	Provence blue	94-96		
(2)	993 522 051 02	993 522 051 02 K03	Cedar green	94-96		
		993 522 051 02 8SE	Flamenco red	94-96		
		993 522 051 02 E38	Rubicon grey	96-97		
		993 522 051 02 J30	Nephrite green	97-98		
		993 522 051 02 M30	Boxster red	97-98		
		993 522 051 02 B50	Space grey	98		
		993 522 052 02	Back seat cushion	/R 94-		
			/R 96-			
		Whole-leather				
		993 522 052 02 8YR	Black	94-98		
993 522 052 02 6XL	Classic grey	94-98				
993 522 052 02 H24	Midnight blue	94-98				
993 522 052 02 T15	Chestnut brown	94-98				

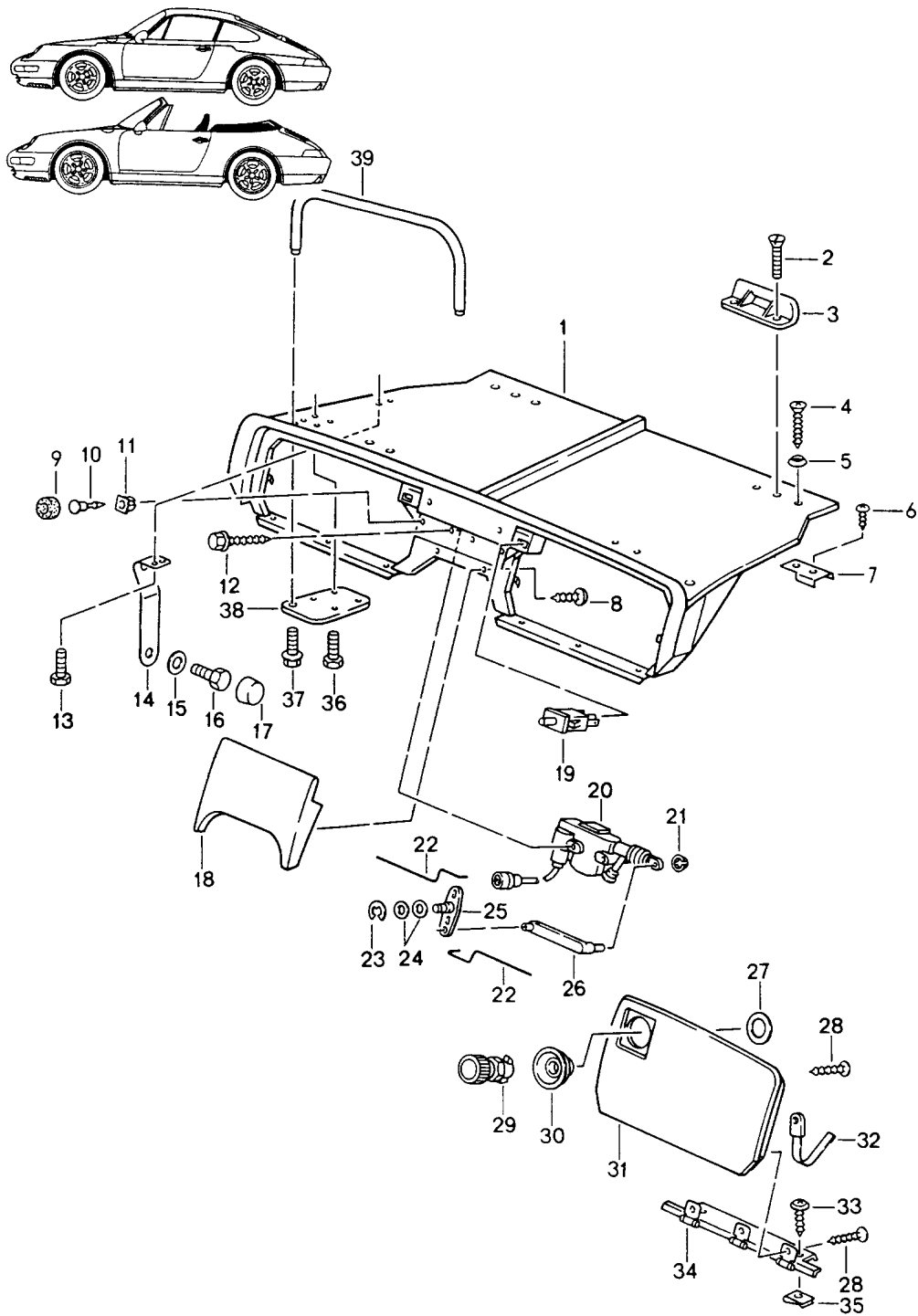
Model: STZ Model life 1985>>1998

Pos	Part Number	Description	Remark	Qty	Model
	993 522 052 02 3QN	Marble grey	94-97		
	993 522 052 02 4YU	Cashmere beige	94-98		
	993 522 052 02 G43	Provence blue	94-96		
	993 522 052 02 K03	Cedar green	94-96		
	993 522 052 02 8SE	Flamenco red	94-96		
	993 522 052 02 E38	Rubicon grey	96-97		
	993 522 052 02 J30	Nephrite green	97-98		
	993 522 052 02 M30	Boxster red	97-98		
	993 522 052 02 B50	Space grey	98		
2	993 522 051 03	Back seat cushion	/L 94- /L 96-	1	COUPE/CABRIO TARGA/TURBO
		Draped leather			
	993 522 051 03 8YR	Black	94-98		
	993 522 051 03 6XL	Classic grey	94-98		
	993 522 051 03 H24	Midnight blue	94-98		
	993 522 051 03 T15	Chestnut brown	94-98		
	993 522 051 03 3QN	Marble grey	94-97		
	993 522 051 03 4YU	Cashmere beige	94-98		
	993 522 051 03 G43	Provence blue	94-96		
	993 522 051 03 K03	Cedar green	94-96		
	993 522 051 03 8SE	Flamenco red	94-96		
	993 522 051 03 E38	Rubicon grey	96-97		
	993 522 051 03 J30	Nephrite green	97-98		
	993 522 051 03 M30	Boxster red	97-98		
	993 522 051 03 B50	Space grey	98		
(2)	993 522 052 03	Back seat cushion	/R 94- /R 96-	1	COUPE/CABRIO TARGA/TURBO
		Draped leather			
	993 522 052 03 8YR	Black	94-98		
	993 522 052 03 6XL	Classic grey	94-98		
	993 522 052 03 H24	Midnight blue	94-98		
	993 522 052 03 T15	Chestnut brown	94-98		
	993 522 052 03 3QN	Marble grey	94-97		
	993 522 052 03 4YU	Cashmere beige	94-98		
	993 522 052 03 G43	Provence blue	94-96		
	993 522 052 03 K03	Cedar green	94-96		
	993 522 052 03 8SE	Flamenco red	94-96		
	993 522 052 03 E38	Rubicon grey	96-97		
	993 522 052 03 J30	Nephrite green	97-98		
	993 522 052 03 M30	Boxster red	97-98		
	993 522 052 03 B50	Space grey	98		



Model: STZ

Model life 1985>>1998



Model: STZ Model life 1985>>1998

Pos	Part Number	Description	Remark	Qty	Model
1	993 555 123 00	Rear luggage dump Complete Comprising: NR.2/3/8-11/13/14/18/27-35 Carpet/ Leatherette	94-98	1	COUPE/CABRIO M419 COUPE
	993 555 123 00 5FV	Black/black	94-98		
	993 555 123 00 4XR	Classic grey/classic grey	94-98		
	993 555 123 00 3GE	Midnight bl./midnight blue	94-98		
	993 555 123 00 6SC	Chestnut brown Chestnut brown	94-98 94-98		
	993 555 123 00 DDQ	Marble grey/marble grey	94-97		
	993 555 123 00 8UT	Cashmere beige/cash. beige	94-98		
1	993 555 123 01	Rear luggage dump Complete Comprising: NR.2/3/8-11/13/14/18/27-35 Carpet/ Leather		1	COUPE
	993 555 123 01 5FV	Black/black	94-98		
	993 555 123 01 4XR	Classic grey/classic grey	94-98		
	993 555 123 01 3GE	Midnight bl./midnight blue	94-98		
	993 555 123 01 6SC	Chestnut brown Chestnut brown	94-98 94-98		
	993 555 123 01 DDQ	Marble grey/marble grey	94-97		
	993 555 123 01 8UT	Cashmere beige/cash. beige	94-98		
	993 555 123 01 1HQ	Provence blue/provence bl.	94-96		
	993 555 123 01 2JP	Cedar green/cedar green	94-96		
	993 555 123 01 3TE	Flamenco red/flamenco red	94-96		
	993 555 123 01 8AS	Rubicon grey/rubicon grey	96-97		
	993 555 123 01 J30	Nephrite gr./nephr. green	98		
	993 555 123 01 M30	Boxster red/boxster red	98		
	993 555 123 01 B50	Space grey Space grey	98 98		
1	993 555 123 02	Rear luggage dump Complete Comprising: NR.2/3/8-14/18-35 Carpet/ Leatherette		1	CABRIO
	993 555 123 02 5FV	Black/black	94-98		
	993 555 123 02 4XR	Classic grey/classic grey	94-98		
	993 555 123 02 3GE	Midnight bl./midnight blue	94-98		
	993 555 123 02 6SC	Chestnut brown Chestnut brown	94-98 94-98		
	993 555 123 02 DDQ	Marble grey/marble grey	94-97		
	993 555 123 02 8UT	Cashmere beige/cash. beige	94-98		
1	993 555 123 03	Rear luggage dump Complete Comprising: NR.2/3/8-14/18-35 Carpet/ Leather		1	CABRIO
	993 555 123 03 5FV	Black/black	94-98		
	993 555 123 03 4XR	Classic grey/classic grey	94-98		
	993 555 123 03 3GE	Midnight bl./midnight blue	94-98		
	993 555 123 03 6SC	Chestnut brown Chestnut brown	94-98 94-98		
	993 555 123 03 DDQ	Marble grey/marble grey	94-97		
	993 555 123 03 8UT	Cashmere beige/cash. beige	94-98		
	993 555 123 03 1HQ	Provence blue/provence bl.	94-96		

Model: STZ Model life 1985>>1998

Pos	Part Number	Description	Remark	Qty	Model
	993 555 123 03 2JP	Cedar green/cedar green	94-96		
	993 555 123 03 3TE	Flamenco red/flamenco red	94-96		
	993 555 123 03 8AS	Rubicon grey/rubicon grey	96-97		
	993 555 123 03 J30	Nephrite gr./nephr. green	97-98		
	993 555 123 03 M30	Boxster red/boxster red	97-98		
	993 555 123 03 B50	Space grey	98		
2	N 033 183 1	Countersunk-head screw M 5 X 20		8	
2	N 033 183 A	Countersunk-head screw M 5 X 20		8	
3	477 885 761	Retaining bar		4	
4	900 145 012 07	Counters. head tapp. screw B 4,2 X 32		2	COUPE
5	999 591 116 00	Washer 4,5		2	COUPE
6	900 143 007 02	Oval-head sheetmetal screw B 4,2 X 13		2	COUPE
6	900 073 507 01	Oval-head sheetmetal screw B 4,2 X 13		2	COUPE
7	993 555 645 00	Clip		2	COUPE
8	999 919 050 02	Oval-head screw		4	
9	944 552 259 00	Plug		4	
10	N 902 662 01	Combination tapping screw B 3,5 X 16		4	
11	999 591 679 40	Special nut B 4,2		4	
12	999 919 108 02	Hexagon-head bolt 5,0 X 35		2	CABRIO
13	900 075 362 02	Combination screw M 5 X 16		4	
14	964 555 851 00	Support		2	
15	999 025 113 02	Washer 11,5 X 21 X 2		2	
16	111 857 799 A	Hexagon-head bolt		2	
16	3B0 857 799	Hexagon-head bolt		2	
17	811 857 845	Cap		2	
	811 857 845 01C	Satin black			
18	964 555 323 00	Centre part Leatherette		1	
	964 555 323 00 05T	Black	94-98		
	964 555 323 00 2WJ	Classic grey	94-98		
	964 555 323 00 6HP	Midnight blue	94-98		
	964 555 323 00 7PD	Chestnut brown	94-98		
	964 555 323 00 8CF	Marble grey	94-97		
	964 555 323 00 7RT	Cashmere beige	94-98		
18	964 555 323 01	Centre part Leather		1	
	964 555 323 01 8YR	Black	94-98		
	964 555 323 01 6XL	Classic grey	94-98		
	964 555 323 01 H24	Midnight blue	94-98		
	964 555 323 01 T15	Chestnut brown	94-98		
	964 555 323 01 3QN	Marble grey	94-97		
	964 555 323 01 4YU	Cashmere beige	94-98		
	964 555 323 01 G43	Provence blue	94-96		
	964 555 323 01 K03	Cedar green	94-96		
	964 555 323 01 8SE	Flamenco red	94-96		
	964 555 323 01 E38	Rubicon grey	96-97		
	964 555 323 01 J30	Nephrite green	97-98		
	964 555 323 01 M30	Boxster red	97-98		
	964 555 323 01 B50	Space grey	98		
19	964 613 602 00	Contact switch		2	CABRIO
20	928 624 211 00	Transmission element		1	CABRIO
21	999 591 946 02	Clamping washer		1	CABRIO

Model: STZ Model life 1985>>1998

Pos	Part Number	Description	Remark	Qty	Model
21	999 591 946 03	5,0 Clamping washer		1	CABRIO
22	964 555 661 00	5,0 Closing element		2	CABRIO
23	N 012 435 4	Lock washer		1	CABRIO
24	900 031 001 02	Washer		2	CABRIO
		8,4			
24	900 031 105 01	Washer		2	CABRIO
		8,4			
25	964 555 659 00	Segment		1	CABRIO
26	964 555 657 00	Reverse lever		1	CABRIO
27	999 025 200 07	Washer		2	
28	999 919 105 07	21,3 X 40 X 1 Countersunk-head screw		10	
		4,0 X 12			
29	964 538 059 03	Glove compartment lock		2	
	964 538 059 03 01C	Satin black			
30	964 552 312 00	Rosette		2	
	964 552 312 00 01C	Satin black			
31	964 555 921 00	Lid	/L	1	
		Leatherette			
	964 555 921 00 05T	Black	94-98		
	964 555 921 00 2WJ	Classic grey	94-98		
	964 555 921 00 6HP	Midnight blue	94-98		
	964 555 921 00 7PD	Chestnut brown	94-98		
	964 555 921 00 8CF	Marble grey	94-97		
	964 555 921 00 7RT	Cashmere beige	94-98		
(31)	964 555 922 00	Lid	/R	1	
		Leatherette			
	964 555 922 00 05T	Black	94-98		
	964 555 922 00 2WJ	Classic grey	94-98		
	964 555 922 00 6HP	Midnight blue	94-98		
	964 555 922 00 7PD	Chestnut brown	94-98		
	964 555 922 00 8CF	Marble grey	94-97		
	964 555 922 00 7RT	Cashmere beige	94-98		
31	964 555 921 01	Lid	/L	1	
		Leather			
	964 555 921 01 8YR	Black	94-98		
	964 555 921 01 6XL	Classic grey	94-98		
	964 555 921 01 H24	Midnight blue	94-98		
	964 555 921 01 T15	Chestnut brown	94-98		
	964 555 921 01 3QN	Marble grey	94-97		
	964 555 921 01 4YU	Cashmere beige	94-98		
	964 555 921 01 G43	Provence blue	94-96		
	964 555 921 01 K03	Cedar green	94-96		
	964 555 921 01 8SE	Flamenco red	94-96		
	964 555 921 01 E38	Rubicon grey	96-97		
	964 555 921 01 J30	Nephrite green	97-98		
	964 555 921 01 M30	Boxster red	97-98		
	964 555 921 01 B50	Space grey	98		
(31)	964 555 922 01	Lid	/R	1	
		Leather			
	964 555 922 01 8YR	Black	94-98		
	964 555 922 01 6XL	Classic grey	94-98		
	964 555 922 01 H24	Midnight blue	94-98		
	964 555 922 01 T15	Chestnut brown	94-98		
	964 555 922 01 3QN	Marble grey	94-97		
	964 555 922 01 4YU	Cashmere beige	94-98		
	964 555 922 01 G43	Provence blue	94-96		
	964 555 922 01 K03	Cedar green	94-96		
	964 555 922 01 8SE	Flamenco red	94-96		
	964 555 922 01 E38	Rubicon grey	96-97		
	964 555 922 01 J30	Nephrite green	97-98		

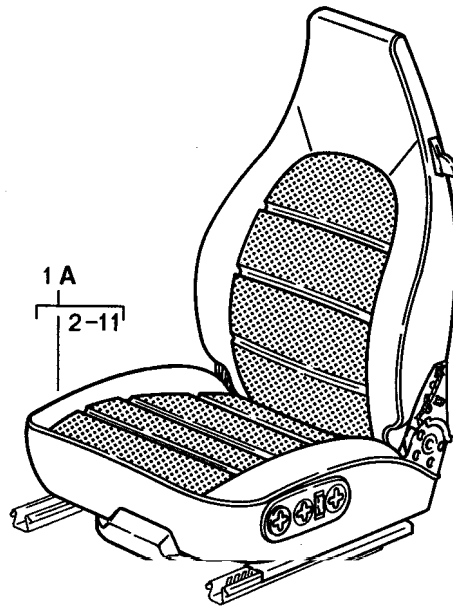
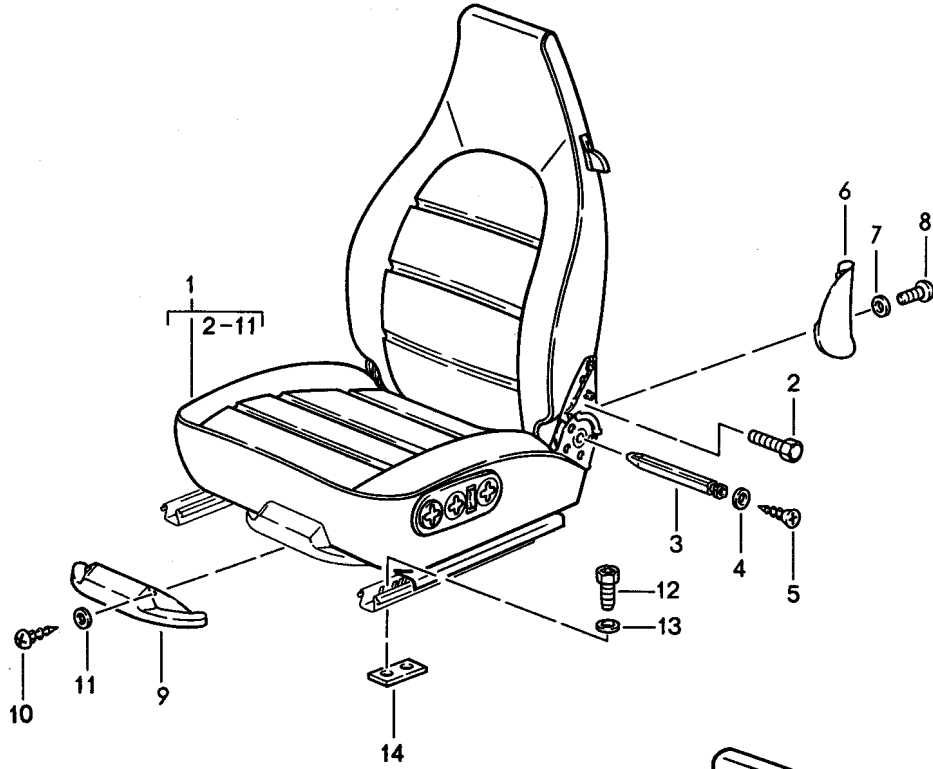
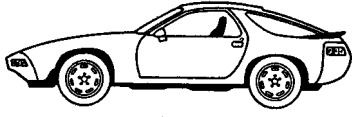
Model: STZ

Model life 1985&gt;&gt;1998

Pos	Part Number	Description	Remark	Qty	Model
	964 555 922 01 M30	Boxster red	97-98		
	964 555 922 01 B50	Space grey	98		
32	964 555 515 00	Securing strap		4	
33	999 073 060 02	Tapping screw B 4,8 X 13		6	
34	964 555 487 00	Hinge		2	
35	999 507 023 02	Speed nut B 4,8		6	
35	999 507 023 01	Speed nut B 4,8		6	
36	900 075 362 02	Combination screw M 5 X 16		16	CABRIO
37	900 067 207 02	Combination screw M 6 X 20		4	CABRIO
38	964 555 679 00	Retainer plate	/L	2	CABRIO
(38)	964 555 680 00	Retainer plate	/R	2	CABRIO
39	964 555 601 00	Protective bracket		2	CABRIO

Model: STZ

Model life 1985>>1998



Model: STZ Model life 1985>>1998

Pos	Part Number	Description	Remark	Qty	Model
		Front seat Complete	85-86		928 S
1	928 521 001 86	Comfort seat without heating Whole-leather	/L	1	M437
	928 521 001 86 KZ2	Black			
	928 521 001 86 KZ3	Blue			
	928 521 001 86 KZ5	Brown			
	928 521 001 86 LG7	Burgundy			
	928 521 001 86 QC2	Greyish green			
	928 521 001 86 LG6	Dark green			
	928 521 001 86 KZ6	Can-can-red			
	928 521 001 86 LG4	Pearl white			
	928 521 001 86 LG5	Champagne			
	928 521 001 86 PY9	Ocean blue			
	928 521 001 86 PZ1	Wild buffalo			
	928 521 001 86 KZ4	Grey-beige	86		
(1)	928 521 002 86	Comfort seat without heating Whole-leather	/R	1	M438
	928 521 002 86 KZ2	Black			
	928 521 002 86 KZ3	Blue			
	928 521 002 86 KZ5	Brown			
	928 521 002 86 LG7	Burgundy			
	928 521 002 86 QC2	Greyish green			
	928 521 002 86 LG6	Dark green			
	928 521 002 86 KZ6	Can-can-red			
	928 521 002 86 LG4	Pearl white			
	928 521 002 86 LG5	Champagne			
	928 521 002 86 PY9	Ocean blue			
	928 521 002 86 PZ1	Wild buffalo			
	928 521 002 86 KZ4	Grey-beige	86		
(1)	928 521 001 89	Comfort seat with heating Whole-leather	/L	1	M437
	928 521 001 89 KZ2	Black			
	928 521 001 89 KZ3	Blue			
	928 521 001 89 KZ5	Brown			
	928 521 001 89 LG7	Burgundy			
	928 521 001 89 QC2	Greyish green			
	928 521 001 89 LG6	Dark green			
	928 521 001 89 KZ6	Can-can-red			
	928 521 001 89 LG4	Pearl white			
	928 521 001 89 LG5	Champagne			
	928 521 001 89 PY9	Ocean blue			
	928 521 001 89 PZ1	Wild buffalo			
	928 521 001 89 KZ4	Grey-beige	86		
(1)	928 521 002 89	Comfort seat with heating Whole-leather	/R	1	M438
	928 521 002 89 KZ2	Black			
	928 521 002 89 KZ3	Blue			
	928 521 002 89 KZ5	Brown			
	928 521 002 89 LG7	Burgundy			
	928 521 002 89 QC2	Greyish green			
	928 521 002 89 LG6	Dark green			
	928 521 002 89 KZ6	Can-can-red			
	928 521 002 89 LG4	Pearl white			
	928 521 002 89 LG5	Champagne			
	928 521 002 89 PY9	Ocean blue			
	928 521 002 89 PZ1	Wild buffalo			
	928 521 002 89 KZ4	Grey-beige	86		
1A	928 521 001 88	Comfort seat	/L	1	M437

Model: STZ Model life 1985>>1998

Pos	Part Number	Description	Remark	Qty	Model
		without heating Leather/ Centre part in cloth Pin stripe velour			
	928 521 001 88 LS5	Black/ Black-white			
	928 521 001 88 LS6	Brown/ Brown-beige			
	928 521 001 88 LS8	Blue/ Blue-white			
	928 521 001 88 LS9	Burgundy/ Burgundy-white			
	928 521 001 88 QA7	Greyish green/ Greyish green-white			
	928 521 001 88 LS7	Grey-beige/ Grey-beige-white	86		
(1A)	928 521 002 88	Comfort seat without heating Leather/ Centre part in cloth Pin stripe velour	/R	1	M438
	928 521 002 88 LS5	Black/ Black-white			
	928 521 002 88 LS6	Brown/ Brown-beige			
	928 521 002 88 LS8	Blue/ Blue-white			
	928 521 002 88 LS9	Burgundy/ Burgundy-white			
	928 521 002 88 QA7	Greyish green/ Greyish green-white			
	928 521 002 88 LS7	Grey-beige/ Grey-beige-white	86		
(1A)	928 521 001 90	Comfort seat with heating Leather/ Centre part in cloth Pin stripe velour	/L	1	M437
	928 521 001 90 LS5	Black/ Black-white			
	928 521 001 90 LS6	Brown/ Brown-beige			
	928 521 001 90 LS8	Blue/ Blue-white			
	928 521 001 90 LS9	Burgundy/ Burgundy-white			
	928 521 001 90 QA7	Greyish green/ Greyish green-white			
	928 521 001 90 LS7	Grey-beige/ Grey-beige-white	86		
(1A)	928 521 002 90	Comfort seat with heating Leather/ Centre part in cloth Pin stripe velour	/R	1	M438
	928 521 002 90 LS5	Black/ Black-white			
	928 521 002 90 LS6	Brown/ Brown-beige			
	928 521 002 90 LS8	Blue/ Blue-white			
	928 521 002 90 LS9	Burgundy/ Burgundy-white			



Model: STZ Model life 1985>>1998

Pos	Part Number	Description	Remark	Qty	Model
	928 521 002 90 QA7	Greyish green/ Greyish green-white			
	928 521 002 90 LS7	Grey-beige/ Grey-beige-white	86		
1A	928 521 001 88	Comfort seat without heating Leather/ Centre part in cloth Pin stripe flannel	/L	1	M437
	928 521 001 88 QB1	Black/anthracite			
	928 521 001 88 QB3	Brown/brown			
	928 521 001 88 QB5	Blue/blue			
	928 521 001 88 QB7	Burgundy/burgundy			
	928 521 001 88 QA8	Greyish green/grey-green			
(1A)	928 521 002 88	Comfort seat without heating Leather/ Centre part in cloth Pin stripe flannel	/R	1	M438
	928 521 002 88 QB1	Black/anthracite			
	928 521 002 88 QB3	Brown/brown			
	928 521 002 88 QB5	Blue/blue			
	928 521 002 88 QB7	Burgundy/burgundy			
	928 521 002 88 QA8	Greyish green/grey-green			
(1A)	928 521 001 90	Comfort seat with heating Leather/ Centre part in cloth Pin stripe flannel	/L	1	M437
	928 521 001 90 QB1	Black/anthracite			
	928 521 001 90 QB3	Brown/brown			
	928 521 001 90 QB5	Blue/blue			
	928 521 001 90 QB7	Burgundy/burgundy			
	928 521 001 90 QA8	Greyish green/grey-green			
(1A)	928 521 002 90	Comfort seat with heating Leather/ Centre part in cloth Pin stripe flannel	/R	1	M438
	928 521 002 90 QB1	Black/anthracite			
	928 521 002 90 QB3	Brown/brown			
	928 521 002 90 QB5	Blue/blue			
	928 521 002 90 QB7	Burgundy/burgundy			
	928 521 002 90 QA8	Greyish green/grey-green			
1A	928 521 001 88	Comfort seat without heating Leather/ Centre part Porsche lettering cloth	/L	1	M437
	928 521 001 88 QB2	Black/black			
	928 521 001 88 QB4	Brown/brown			
	928 521 001 88 QB6	Blue/blue			
	928 521 001 88 QB8	Burgundy/burgundy			
	928 521 001 88 QA9	Greyish green/grey-green			
	928 521 001 88 RU1	Grey-beige/grey-beige	86		
(1A)	928 521 002 88	Comfort seat without heating Leather/ Centre part Porsche lettering cloth	/R	1	M438
	928 521 002 88 QB2	Black/black			
	928 521 002 88 QB4	Brown/brown			
	928 521 002 88 QB6	Blue/blue			

Model: STZ Model life 1985>>1998

Pos	Part Number	Description	Remark	Qty	Model
(1A)	928 521 002 88 QB8	Burgundy/burgundy			
	928 521 002 88 QA9	Greyish green/grey-green			
	928 521 002 88 RU1	Grey-beige/grey-beige	86		
	928 521 001 90	Comfort seat with heating Leather/ Centre part Porsche lettering cloth	/L	1	M437
	928 521 001 90 QB2	Black/black			
	928 521 001 90 QB4	Brown/brown			
	928 521 001 90 QB6	Blue/blue			
	928 521 001 90 QB8	Burgundy/burgundy			
	928 521 001 90 QA9	Greyish green/grey-green			
	928 521 001 90 RU1	Grey-beige/grey-beige	86		
(1A)	928 521 002 90	Comfort seat with heating Leather/ Centre part Porsche lettering cloth	/R	1	M438
	928 521 002 90 QB2	Black/black			
	928 521 002 90 QB4	Brown/brown			
	928 521 002 90 QB6	Blue/blue			
	928 521 002 90 QB8	Burgundy/burgundy			
	928 521 002 90 QA9	Greyish green/grey-green			
	928 521 002 90 RU1	Grey-beige/grey-beige	86		
2	911 521 547 00	Screw M 10 X 20		8	
3	928 521 717 02	Square rod for backrest adjustment		4	
4	928 521 716 02	Lock washer for backrest adjustment		4	
5	900 249 004 02	Countersunk-head screw M 4 X 8 for backrest adjustment		4	
6	928 521 147 02	Cover	/L	2	
	928 521 147 02 01C	Black			
	928 521 147 02 4RB	Brown			
	928 521 147 02 5HJ	Blue			
	928 521 147 02 9MM	Burgundy			
	928 521 147 02 1DJ	Greyish green			
	928 521 147 02 3UC	Grey-beige	86		
(6)	928 521 148 02	Cover	/R	2	
	928 521 148 02 01C	Black			
	928 521 148 02 4RB	Brown			
	928 521 148 02 5HJ	Blue			
	928 521 148 02 9MM	Burgundy			
	928 521 148 02 1DJ	Greyish green			
	928 521 148 02 3UC	Grey-beige	86		
7	900 025 044 07	Washer A 4,3		8	
8	900 143 113 07	Oval-head screw B 4,2 X 13	-85	8	
8	900 143 113 0G	Oval-head screw B 4,2 X 13		8	
8	N 013 962 3	Tapping screw B 3,9 X 16	86	8	
9	928 521 760 02	Cover		2	
10	N 013 959 3	Oval-head sheetmetal screw B 3,5 X 16		4	
10	900 143 016 02	Oval-head sheetmetal screw B 3,5 X 16		4	
11	900 025 013 07	Washer A 3,7		4	

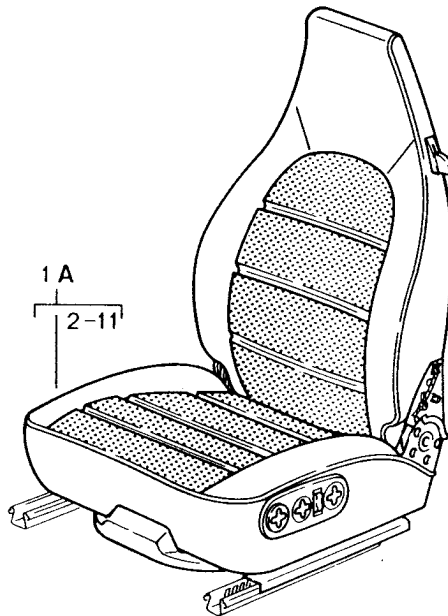
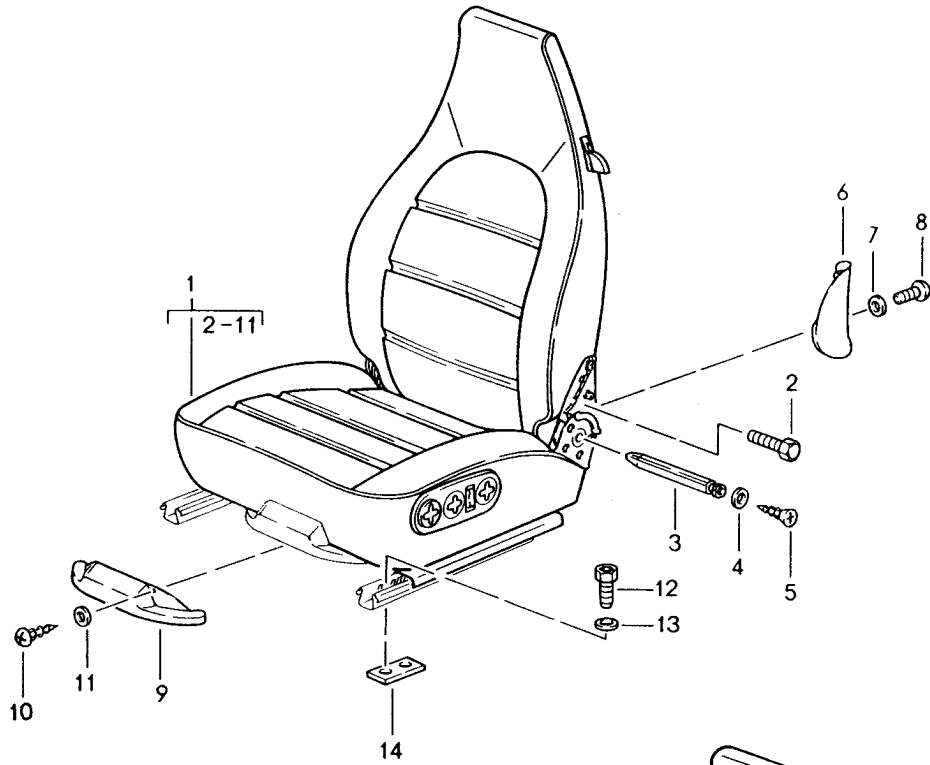
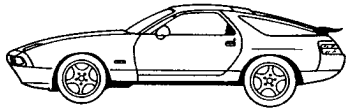
Model: STZ

Model life 1985&gt;&gt;1998

Pos	Part Number	Description	Remark	Qty	Model
12	900 119 030 02	Pan-head screw M 8 X 20		12	
13	900 031 001 02	Washer 8,4		16	
13	900 031 105 01	Washer 8,4		16	
14	928 521 101 05	Threaded plate Front		X	
(14)	928 521 101 08	Threaded plate Rear		X	
-	999 703 334 40	Stopper for Seat rail support		2	

Model: STZ

Model life 1985>>1998



Model: STZ Model life 1985>>1998

Pos	Part Number	Description	Remark	Qty	Model
1	928 521 001 86	Front seat Complete Comfort seat without heating Whole-leather	87- -95 /L	1	928 S4/GT 928 GTS M437
	928 521 001 86 KZ2	Black	-90		
	928 521 001 86 TS1	Marine blue	-90		
	928 521 001 86 TV1	Mahogany	-90		
	928 521 001 86 LG7	Burgundy	-90		
	928 521 001 86 QC2	Greyish green	-88		
	928 521 001 86 LG5	Champagne	-88		
	928 521 001 86 TW1	Linen	-90		
	928 521 001 86 XN4	Cashmere beige	89-90		
	928 521 001 86 XG1	Plum red	-88		
	928 521 001 86 XG2	Silver-grey	-88		
	928 521 001 86 AVY	Caramel	87-90		
	928 521 001 86 AVZ	Venetian blue	87-90		
	928 521 001 86 AVW	Silk grey	89-90		
	928 521 001 86 AVV	Velvet red	89-90		
	928 521 001 86 AVX	Slate grey	89-90		
	928 521 001 86 ATH	Black	91-		
	928 521 001 86 APL	Classic grey	91-		
	928 521 001 86 ARL	Cobalt blue	91-		
	928 521 001 86 ASL	Magenta	91-		
	928 521 001 86 AQL	Light grey	91-		
	928 521 001 86 ATY	Cashmere beige	91-		
	928 521 001 86 BQB	Marine blue	91-		
	928 521 001 86 AVF	Matador red	91-		
	928 521 001 86 AVG	Carrara grey	91-		
	928 521 001 86 AVH	Sherwood green	91-		
	928 521 001 86 DBD	Midnight blue	94-		
	928 521 001 86 DCD	Chestnut brown	94-		
	928 521 001 86 DDD	Marble grey	94-		
	928 521 001 86 DEC	Provence blue	94-		
	928 521 001 86 DEE	Cedar green	94-		
	928 521 001 86 DEF	Flamenco red	94-		
(1)	928 521 002 86	Comfort seat without heating Whole-leather	/R	1	M438
	928 521 002 86 KZ2	Black	-90		
	928 521 002 86 TS1	Marine blue	-90		
	928 521 002 86 TV1	Mahogany	-90		
	928 521 002 86 LG7	Burgundy	-90		
	928 521 002 86 QC2	Greyish green	-88		
	928 521 002 86 LG5	Champagne	-88		
	928 521 002 86 TW1	Linen	-90		
	928 521 002 86 XN4	Cashmere beige	89-90		
	928 521 002 86 XG1	Plum red	-88		
	928 521 002 86 XG2	Silver-grey	-88		
	928 521 002 86 AVY	Caramel	87-90		
	928 521 002 86 AVZ	Venetian blue	87-90		
	928 521 002 86 AVW	Silk grey	89-90		
	928 521 002 86 AVV	Velvet red	89-90		
	928 521 002 86 AVX	Slate grey	89-90		
	928 521 002 86 ATH	Black	91-		
	928 521 002 86 APL	Classic grey	91-		
	928 521 002 86 ARL	Cobalt blue	91-		
	928 521 002 86 ASL	Magenta	91-		
	928 521 002 86 AQL	Light grey	91-		
	928 521 002 86 ATY	Cashmere beige	91-		
	928 521 002 86 BQB	Marine blue	91-		
	928 521 002 86 AVF	Matador red	91-		
	928 521 002 86 AVG	Carrara grey	91-		

Model: STZ Model life 1985>>1998

Pos	Part Number	Description	Remark	Qty	Model
1	928 521 002 86 AVH	Sherwood green	91-	1	M437
	928 521 002 86 DBD	Midnight blue	94-		
	928 521 002 86 DCD	Chestnut brown	94-		
	928 521 002 86 DDD	Marble grey	94-		
	928 521 002 86 DEC	Provence blue	94-		
	928 521 002 86 DEE	Cedar green	94-		
	928 521 002 86 DEF	Flamenco red	94-		
	928 521 001 05	Comfort seat Draped leather without heating Whole-leather	/L		
	928 521 001 05 KZ2	Black	-90		
	928 521 001 05 TS1	Marine blue	-90		
	928 521 001 05 TV1	Mahogany	-90		
	928 521 001 05 LG7	Burgundy	-90		
	928 521 001 05 QC2	Greyish green	-88		
	928 521 001 05 LG5	Champagne	-88		
	928 521 001 05 TW1	Linen	-90		
	928 521 001 05 XN4	Cashmere beige	89-90		
	928 521 001 05 XG1	Plum red	-88		
	928 521 001 05 XG2	Silver-grey	-88		
	928 521 001 05 AVY	Caramel	87-90		
	928 521 001 05 AVZ	Venetian blue	87-90		
	928 521 001 05 AVW	Silk grey	89-90		
	928 521 001 05 AVV	Velvet red	89-90		
	928 521 001 05 AVX	Slate grey	89-90		
	928 521 001 05 ATH	Black	91-		
	928 521 001 05 APL	Classic grey	91-		
	928 521 001 05 ARL	Cobalt blue	91-		
	928 521 001 05 ASL	Magenta	91-		
	928 521 001 05 AQL	Light grey	91-		
	928 521 001 05 ATY	Cashmere beige	91-		
	928 521 001 05 BQB	Marine blue	91-		
	928 521 001 05 AVF	Matador red	91-		
	928 521 001 05 AVG	Carrara grey	91-		
	928 521 001 05 AVH	Sherwood green	91-		
928 521 001 05 DBD	Midnight blue	94-			
928 521 001 05 DCD	Chestnut brown	94-			
928 521 001 05 DDD	Marble grey	94-			
928 521 001 05 DEC	Provence blue	94-			
928 521 001 05 DEE	Cedar green	94-			
928 521 001 05 DEF	Flamenco red	94-			
(1)	928 521 002 05	Comfort seat Draped leather without heating Whole-leather	/R	1	M438
	928 521 002 05 KZ2	Black	-90		
	928 521 002 05 TS1	Marine blue	-90		
	928 521 002 05 TV1	Mahogany	-90		
	928 521 002 05 LG7	Burgundy	-90		
	928 521 002 05 QC2	Greyish green	-88		
	928 521 002 05 LG5	Champagne	-88		
	928 521 002 05 TW1	Linen	-90		
	928 521 002 05 XN4	Cashmere beige	89-90		
	928 521 002 05 XG1	Plum red	-88		
	928 521 002 05 XG2	Silver-grey	-88		
	928 521 002 05 AVY	Caramel	87-90		
	928 521 002 05 AVZ	Venetian blue	87-90		
	928 521 002 05 AVW	Silk grey	89-90		
	928 521 002 05 AVV	Velvet red	89-90		
	928 521 002 05 AVX	Slate grey	89-90		
	928 521 002 05 ATH	Black	91-		
	928 521 002 05 APL	Classic grey	91-		

Model: STZ Model life 1985>>1998

Pos	Part Number	Description	Remark	Qty	Model
	928 521 002 05 ARL	Cobalt blue	91-		
	928 521 002 05 ASL	Magenta	91-		
	928 521 002 05 AQL	Light grey	91-		
	928 521 002 05 ATY	Cashmere beige	91-		
	928 521 002 05 BQB	Marine blue	91-		
	928 521 002 05 AVF	Matador red	91-		
	928 521 002 05 AVG	Carrara grey	91-		
	928 521 002 05 AVH	Sherwood green	91-		
	928 521 002 05 DBD	Midnight blue	94-		
	928 521 002 05 DCD	Chestnut brown	94-		
	928 521 002 05 DDD	Marble grey	94-		
	928 521 002 05 DEC	Provence blue	94-		
	928 521 002 05 DEE	Cedar green	94-		
	928 521 002 05 DEF	Flamenco red	94-		
(1)	928 521 001 89	Comfort seat with heating Whole-leather	/L	1	M437
	928 521 001 89 KZ2	Black	-90		
	928 521 001 89 TS1	Marine blue	-90		
	928 521 001 89 TV1	Mahogany	-90		
	928 521 001 89 LG7	Burgundy	-90		
	928 521 001 89 QC2	Greyish green	-88		
	928 521 001 89 LG5	Champagne	-88		
	928 521 001 89 TW1	Linen	-90		
	928 521 001 89 XN4	Cashmere beige	89-90		
	928 521 001 89 XG1	Plum red	-88		
	928 521 001 89 XG2	Silver-grey	-88		
	928 521 001 89 AVY	Caramel	87-90		
	928 521 001 89 AVZ	Venetian blue	87-90		
	928 521 001 89 AVW	Silk grey	89-90		
	928 521 001 89 AVV	Velvet red	89-90		
	928 521 001 89 AVX	Slate grey	89-90		
	928 521 001 89 ATH	Black	91-		
	928 521 001 89 APL	Classic grey	91-		
	928 521 001 89 ARL	Cobalt blue	91-		
	928 521 001 89 ASL	Magenta	91-		
	928 521 001 89 AQL	Light grey	91-		
	928 521 001 89 ATY	Cashmere beige	91-		
	928 521 001 89 BQB	Marine blue	91-		
	928 521 001 89 AVF	Matador red	91-		
	928 521 001 89 AVG	Carrara grey	91-		
	928 521 001 89 AVH	Sherwood green	91-		
	928 521 001 89 DBD	Midnight blue	94-		
	928 521 001 89 DCD	Chestnut brown	94-		
	928 521 001 89 DDD	Marble grey	94-		
	928 521 001 89 DEC	Provence blue	94-		
	928 521 001 89 DEE	Cedar green	94-		
	928 521 001 89 DEF	Flamenco red	94-		
(1)	928 521 002 89	Comfort seat with heating Whole-leather	/R	1	M438
	928 521 002 89 KZ2	Black	-90		
	928 521 002 89 TS1	Marine blue	-90		
	928 521 002 89 TV1	Mahogany	-90		
	928 521 002 89 LG7	Burgundy	-90		
	928 521 002 89 QC2	Greyish green	-88		
	928 521 002 89 LG5	Champagne	-88		
	928 521 002 89 TW1	Linen	-90		
	928 521 002 89 XN4	Cashmere beige	89-90		
	928 521 002 89 XG1	Plum red	-88		
	928 521 002 89 XG2	Silver-grey	-88		
	928 521 002 89 AVY	Caramel	87-90		
	928 521 002 89 AVZ	Venetian blue	87-90		

Model: STZ Model life 1985>>1998

Pos	Part Number	Description	Remark	Qty	Model
	928 521 002 89 AVW	Silk grey	89-90		
	928 521 002 89 AVV	Velvet red	89-90		
	928 521 002 89 AVX	Slate grey	89-90		
	928 521 002 89 ATH	Black	91-		
	928 521 002 89 APL	Classic grey	91-		
	928 521 002 89 ARL	Cobalt blue	91-		
	928 521 002 89 ASL	Magenta	91-		
	928 521 002 89 AQL	Light grey	91-		
	928 521 002 89 ATY	Cashmere beige	91-		
	928 521 002 89 BQB	Marine blue	91-		
	928 521 002 89 AVF	Matador red	91-		
	928 521 002 89 AVG	Carrara grey	91-		
	928 521 002 89 AVH	Sherwood green	91-		
	928 521 002 89 DBD	Midnight blue	94-		
	928 521 002 89 DCD	Chestnut brown	94-		
	928 521 002 89 DDD	Marble grey	94-		
	928 521 002 89 DEC	Provence blue	94-		
	928 521 002 89 DEE	Cedar green	94-		
	928 521 002 89 DEF	Flamenco red	94-		
(1)	928 521 001 25	Comfort seat Draped leather with heating Whole-leather	/L	1	M437
	928 521 001 25 KZ2	Black	-90		
	928 521 001 25 TS1	Marine blue	-90		
	928 521 001 25 TV1	Mahogany	-90		
	928 521 001 25 LG7	Burgundy	-90		
	928 521 001 25 QC2	Greyish green	-88		
	928 521 001 25 LG5	Champagne	-88		
	928 521 001 25 TW1	Linen	-90		
	928 521 001 25 XN4	Cashmere beige	89-90		
	928 521 001 25 XG1	Plum red	-88		
	928 521 001 25 XG2	Silver-grey	-88		
	928 521 001 25 AVY	Caramel	87-90		
	928 521 001 25 AVZ	Venetian blue	87-90		
	928 521 001 25 AVW	Silk grey	89-90		
	928 521 001 25 AVV	Velvet red	89-90		
	928 521 001 25 AVX	Slate grey	89-90		
	928 521 001 25 ATH	Black	91-		
	928 521 001 25 APL	Classic grey	91-		
	928 521 001 25 ARL	Cobalt blue	91-		
	928 521 001 25 ASL	Magenta	91-		
	928 521 001 25 AQL	Light grey	91-		
	928 521 001 25 ATY	Cashmere beige	91-		
	928 521 001 25 BQB	Marine blue	91-		
	928 521 001 25 AVF	Matador red	91-		
	928 521 001 25 AVG	Carrara grey	91-		
	928 521 001 25 AVH	Sherwood green	91-		
	928 521 001 25 DBD	Midnight blue	94-		
	928 521 001 25 DCD	Chestnut brown	94-		
	928 521 001 25 DDD	Marble grey	94-		
	928 521 001 25 DEC	Provence blue	94-		
	928 521 001 25 DEE	Cedar green	94-		
	928 521 001 25 DEF	Flamenco red	94-		
(1)	928 521 002 25	Comfort seat Draped leather with heating Whole-leather	/R	1	M438
	928 521 002 25 KZ2	Black	-90		
	928 521 002 25 TS1	Marine blue	-90		
	928 521 002 25 TV1	Mahogany	-90		
	928 521 002 25 LG7	Burgundy	-90		
	928 521 002 25 QC2	Greyish green	-88		



Model: STZ Model life 1985>>1998

Pos	Part Number	Description	Remark	Qty	Model
	928 521 002 25 LG5	Champagne	-88		
	928 521 002 25 TW1	Linen	-90		
	928 521 002 25 XN4	Cashmere beige	89-90		
	928 521 002 25 XG1	Plum red	-88		
	928 521 002 25 XG2	Silver-grey	-88		
	928 521 002 25 AVY	Caramel	87-90		
	928 521 002 25 AVZ	Venetian blue	87-90		
	928 521 002 25 AVW	Silk grey	89-90		
	928 521 002 25 AVV	Velvet red	89-90		
	928 521 002 25 AVX	Slate grey	89-90		
	928 521 002 25 ATH	Black	91-		
	928 521 002 25 APL	Classic grey	91-		
	928 521 002 25 ARL	Cobalt blue	91-		
	928 521 002 25 ASL	Magenta	91-		
	928 521 002 25 AQL	Light grey	91-		
	928 521 002 25 ATY	Cashmere beige	91-		
	928 521 002 25 BQB	Marine blue	91-		
	928 521 002 25 AVF	Matador red	91-		
	928 521 002 25 AVG	Carrara grey	91-		
	928 521 002 25 AVH	Sherwood green	91-		
	928 521 002 25 DBD	Midnight blue	94-		
	928 521 002 25 DCD	Chestnut brown	94-		
	928 521 002 25 DDD	Marble grey	94-		
	928 521 002 25 DEC	Provence blue	94-		
	928 521 002 25 DEE	Cedar green	94-		
	928 521 002 25 DEF	Flamenco red	94-		
1	928 521 001 91	Comfort seat Lumbar support without heating Whole-leather	/L	1	M437
	928 521 001 91 KZ2	Black	-90		
	928 521 001 91 TS1	Marine blue	-90		
	928 521 001 91 TV1	Mahogany	-90		
	928 521 001 91 LG7	Burgundy	-90		
	928 521 001 91 QC2	Greyish green	-88		
	928 521 001 91 LG5	Champagne	-88		
	928 521 001 91 TW1	Linen	-90		
	928 521 001 91 XN4	Cashmere beige	89-90		
	928 521 001 91 XG1	Plum red	-88		
	928 521 001 91 XG2	Silver-grey	-88		
	928 521 001 91 AVY	Caramel	87-90		
	928 521 001 91 AVZ	Venetian blue	87-90		
	928 521 001 91 AVW	Venetian blue	89-90		
	928 521 001 91 AVV	Caramel	89-90		
	928 521 001 91 AVX	Slate grey	89-90		
	928 521 001 91 ATH	Black	91-		
	928 521 001 91 APL	Classic grey	91-		
	928 521 001 91 ARL	Cobalt blue	91-		
	928 521 001 91 ASL	Magenta	91-		
	928 521 001 91 AQL	Light grey	91-		
	928 521 001 91 ATY	Cashmere beige	91-		
	928 521 001 91 BQB	Marine blue	91-		
	928 521 001 91 AVF	Matador red	91-		
	928 521 001 91 AVG	Carrara grey	91-		
	928 521 001 91 AVH	Sherwood green	91-		
	928 521 001 91 DBD	Midnight blue	94-		
	928 521 001 91 DCD	Chestnut brown	94-		
	928 521 001 91 DDD	Marble grey	94-		
	928 521 001 91 DEC	Provence blue	94-		
	928 521 001 91 DEE	Cedar green	94-		
	928 521 001 91 DEF	Flamenco red	94-		
(1)	928 521 002 91	Comfort seat Lumbar support	/R	1	M438

Model: STZ Model life 1985>>1998

Pos	Part Number	Description	Remark	Qty	Model
		without heating			
		Whole-leather			
	928 521 002 91 KZ2	Black	-90		
	928 521 002 91 TS1	Marine blue	-90		
	928 521 002 91 TV1	Mahogany	-90		
	928 521 002 91 LG7	Burgundy	-90		
	928 521 002 91 QC2	Greyish green	-88		
	928 521 002 91 LG5	Champagne	-88		
	928 521 002 91 TW1	Linen	-90		
	928 521 002 91 XN4	Cashmere beige	89-90		
	928 521 002 91 XG1	Plum red	-88		
	928 521 002 91 XG2	Silver-grey	-88		
	928 521 002 91 AVY	Caramel	87-90		
	928 521 002 91 AVZ	Venetian blue	87-90		
	928 521 002 91 AVW	Silk grey	89-90		
	928 521 002 91 AVV	Velvet red	89-90		
	928 521 002 91 AVX	Slate grey	89-90		
	928 521 002 91 ATH	Black	91-		
	928 521 002 91 APL	Classic grey	91-		
	928 521 002 91 ARL	Cobalt blue	91-		
	928 521 002 91 ASL	Magenta	91-		
	928 521 002 91 AQL	Light grey	91-		
	928 521 002 91 ATY	Cashmere beige	91-		
	928 521 002 91 BQB	Marine blue	91-		
	928 521 002 91 AVF	Matador red	91-		
	928 521 002 91 AVG	Carrara grey	91-		
	928 521 002 91 AVH	Sherwood green	91-		
	928 521 002 91 DBD	Midnight blue	94-		
	928 521 002 91 DCD	Chestnut brown	94-		
	928 521 002 91 DDD	Marble grey	94-		
	928 521 002 91 DEC	Provence blue	94-		
	928 521 002 91 DEE	Cedar green	94-		
	928 521 002 91 DEF	Flamenco red	94-		
1	928 521 001 26	Comfort seat	/L	1	M437
		Draped leather			
		Lumbar support			
		without heating			
		Whole-leather			
	928 521 001 26 KZ2	Black	-90		
	928 521 001 26 TS1	Marine blue	-90		
	928 521 001 26 TV1	Mahogany	-90		
	928 521 001 26 LG7	Burgundy	-90		
	928 521 001 26 QC2	Greyish green	-88		
	928 521 001 26 LG5	Champagne	-88		
	928 521 001 26 TW1	Linen	-90		
	928 521 001 26 XN4	Cashmere beige	89-90		
	928 521 001 26 XG1	Plum red	-88		
	928 521 001 26 XG2	Silver-grey	-88		
	928 521 001 26 AVY	Caramel	87-90		
	928 521 001 26 AVZ	Venetian blue	87-90		
	928 521 001 26 AVW	Silk grey	89-90		
	928 521 001 26 AVV	Velvet red	89-90		
	928 521 001 26 AVX	Slate grey	89-90		
	928 521 001 26 ATH	Black	91-		
	928 521 001 26 APL	Classic grey	91-		
	928 521 001 26 ARL	Cobalt blue	91-		
	928 521 001 26 ASL	Magenta	91-		
	928 521 001 26 AQL	Light grey	91-		
	928 521 001 26 ATY	Cashmere beige	91-		
	928 521 001 26 BQB	Marine blue	91-		
	928 521 001 26 AVF	Matador red	91-		
	928 521 001 26 AVG	Carrara grey	91-		
	928 521 001 26 AVH	Sherwood green	91-		

Model: STZ Model life 1985>>1998

Pos	Part Number	Description	Remark	Qty	Model
(1)	928 521 001 26 DBD	Midnight blue	94-	1	M438
	928 521 001 26 DCD	Chestnut brown	94-		
	928 521 001 26 DDD	Marble grey	94-		
	928 521 001 26 DEC	Provence blue	94-		
	928 521 001 26 DEE	Cedar green	94-		
	928 521 001 26 DEF	Flamenco red	94-		
	928 521 002 26	Comfort seat	/R		
		Draped leather			
		Lumbar support			
		without heating			
		Whole-leather			
	928 521 002 26 KZ2	Black	-90		
	928 521 002 26 TS1	Marine blue	-90		
	928 521 002 26 TV1	Mahogany	-90		
	928 521 002 26 LG7	Burgundy	-90		
	928 521 002 26 QC2	Greyish green	-88		
	928 521 002 26 LG5	Champagne	-88		
	928 521 002 26 TW1	Linen	-90		
	928 521 002 26 XN4	Cashmere beige	89-90		
	928 521 002 26 XG1	Plum red	-88		
	928 521 002 26 XG2	Silver-grey	-88		
	928 521 002 26 AVY	Caramel	87-90		
	928 521 002 26 AVZ	Venetian blue	87-90		
	928 521 002 26 AVW	Silk grey	89-90		
	928 521 002 26 AVV	Velvet red	89-90		
	928 521 002 26 AVX	Slate grey	89-90		
	928 521 002 26 ATH	Black	91-		
	928 521 002 26 APL	Classic grey	91-		
	928 521 002 26 ARL	Cobalt blue	91-		
	928 521 002 26 ASL	Magenta	91-		
	928 521 002 26 AQL	Light grey	91-		
	928 521 002 26 ATY	Cashmere beige	91-		
	928 521 002 26 BQB	Marine blue	91-		
928 521 002 26 AVF	Matador red	91-			
928 521 002 26 AVG	Carrara grey	91-			
928 521 002 26 AVH	Sherwood green	91-			
928 521 002 26 DBD	Midnight blue	94-			
928 521 002 26 DCD	Chestnut brown	94-			
928 521 002 26 DDD	Marble grey	94-			
928 521 002 26 DEC	Provence blue	94-			
928 521 002 26 DEE	Cedar green	94-			
928 521 002 26 DEF	Flamenco red	94-			
1	928 521 001 93	Comfort seat	/L	1	M437
		Lumbar support			
		with heating			
		Whole-leather			
928 521 001 93 KZ2	Black	-90			
928 521 001 93 TS1	Marine blue	-90			
928 521 001 93 TV1	Mahogany	-90			
928 521 001 93 LG7	Burgundy	-90			
928 521 001 93 QC2	Greyish green	-88			
928 521 001 93 LG5	Champagne	-88			
928 521 001 93 TW1	Linen	-90			
928 521 001 93 XN4	Cashmere beige	89-90			
928 521 001 93 XG1	Plum red	-88			
928 521 001 93 XG2	Silver-grey	-88			
928 521 001 93 AVY	Caramel	87-90			
928 521 001 93 AVZ	Venetian blue	87-90			
928 521 001 93 AVW	Silk grey	89-90			
928 521 001 93 AVV	Velvet red	89-90			
928 521 001 93 AVX	Slate grey	89-90			
928 521 001 93 ATH	Black	91-			
928 521 001 93 APL	Classic grey	91-			

Model: STZ Model life 1985>>1998

Pos	Part Number	Description	Remark	Qty	Model
	928 521 001 93 ARL	Cobalt blue	91-		
	928 521 001 93 ASL	Magenta	91-		
	928 521 001 93 AQL	Light grey	91-		
	928 521 001 93 ATY	Cashmere beige	91-		
	928 521 001 93 BQB	Marine blue	91-		
	928 521 001 93 AVF	Matador red	91-		
	928 521 001 93 AVG	Carrara grey	91-		
	928 521 001 93 AVH	Sherwood green	91-		
	928 521 001 93 DBD	Midnight blue	94-		
	928 521 001 93 DCD	Chestnut brown	94-		
	928 521 001 93 DDD	Marble grey	94-		
	928 521 001 93 DEC	Provence blue	94-		
	928 521 001 93 DEE	Cedar green	94-		
	928 521 001 93 DEF	Flamenco red	94-		
(1)	928 521 002 93	Comfort seat Lumbar support with heating Whole-leather	/R	1	M438
	928 521 002 93 KZ2	Black	-90		
	928 521 002 93 TS1	Marine blue	-90		
	928 521 002 93 TV1	Mahogany	-90		
	928 521 002 93 LG7	Burgundy	-90		
	928 521 002 93 QC2	Greyish green	-88		
	928 521 002 93 LG5	Champagne	-88		
	928 521 002 93 TW1	Linen	-90		
	928 521 002 93 XN4	Cashmere beige	89-90		
	928 521 002 93 XG1	Plum red	-88		
	928 521 002 93 XG2	Silver-grey	-88		
	928 521 002 93 AVY	Caramel	87-90		
	928 521 002 93 AVZ	Venetian blue	87-90		
	928 521 002 93 AVW	Silk grey	89-90		
	928 521 002 93 AVV	Velvet red	89-90		
	928 521 002 93 AVX	Slate grey	89-90		
	928 521 002 93 ATH	Black	91-		
	928 521 002 93 APL	Classic grey	91-		
	928 521 002 93 ARL	Cobalt blue	91-		
	928 521 002 93 ASL	Magenta	91-		
	928 521 002 93 AQL	Light grey	91-		
	928 521 002 93 ATY	Cashmere beige	91-		
	928 521 002 93 BQB	Marine blue	91-		
	928 521 002 93 AVF	Matador red	91-		
	928 521 002 93 AVG	Carrara grey	91-		
	928 521 002 93 AVH	Sherwood green	91-		
	928 521 002 93 DBD	Midnight blue	94-		
	928 521 002 93 DCD	Chestnut brown	94-		
	928 521 002 93 DDD	Marble grey	94-		
	928 521 002 93 DEC	Provence blue	94-		
	928 521 002 93 DEE	Cedar green	94-		
	928 521 002 93 DEF	Flamenco red	94-		
1	928 521 001 27	Comfort seat Draped leather Lumbar support with heating Whole-leather	/L	1	M437
	928 521 001 27 KZ2	Black	-90		
	928 521 001 27 TS1	Marine blue	-90		
	928 521 001 27 TV1	Mahogany	-90		
	928 521 001 27 LG7	Burgundy	-90		
	928 521 001 27 QC2	Greyish green	-88		
	928 521 001 27 LG5	Champagne	-88		
	928 521 001 27 TW1	Linen	-90		
	928 521 001 27 XN4	Cashmere beige	89-90		
	928 521 001 27 XG1	Plum red	-88		

Model: STZ Model life 1985>>1998

Pos	Part Number	Description	Remark	Qty	Model
	928 521 001 27 XG2	Silver-grey	-88		
	928 521 001 27 AVY	Caramel	87-90		
	928 521 001 27 AVZ	Venetian blue	87-90		
	928 521 001 27 AVW	Silk grey	89-90		
	928 521 001 27 AVV	Velvet red	89-90		
	928 521 001 27 AVX	Slate grey	89-90		
	928 521 001 27 ATH	Black	91-		
	928 521 001 27 APL	Classic grey	91-		
	928 521 001 27 ARL	Cobalt blue	91-		
	928 521 001 27 ASL	Magenta	91-		
	928 521 001 27 AQL	Light grey	91-		
	928 521 001 27 ATY	Cashmere beige	91-		
	928 521 001 27 BQB	Marine blue	91-		
	928 521 001 27 AVF	Matador red	91-		
	928 521 001 27 AVG	Carrara grey	91-		
	928 521 001 27 AVH	Sherwood green	91-		
	928 521 001 27 DBD	Midnight blue	94-		
	928 521 001 27 DCD	Chestnut brown	94-		
	928 521 001 27 DDD	Marble grey	94-		
	928 521 001 27 DEC	Provence blue	94-		
	928 521 001 27 DEE	Cedar green	94-		
	928 521 001 27 DEF	Flamenco red	94-		
(1)	928 521 002 27	Comfort seat Draped leather Lumbar support with heating Whole-leather	/R	1	M438
	928 521 002 27 KZ2	Black	-90		
	928 521 002 27 TS1	Marine blue	-90		
	928 521 002 27 TV1	Mahogany	-90		
	928 521 002 27 LG7	Burgundy	-90		
	928 521 002 27 QC2	Greyish green	-88		
	928 521 002 27 LG5	Champagne	-88		
	928 521 002 27 TW1	Linen	-90		
	928 521 002 27 XN4	Cashmere beige	89-90		
	928 521 002 27 XG1	Plum red	-88		
	928 521 002 27 XG2	Silver-grey	-88		
	928 521 002 27 AVY	Caramel	87-90		
	928 521 002 27 AVZ	Venetian blue	87-90		
	928 521 002 27 AVW	Silk grey	89-90		
	928 521 002 27 AVV	Velvet red	89-90		
	928 521 002 27 AVX	Slate grey	89-90		
	928 521 002 27 ATH	Black	91-		
	928 521 002 27 APL	Classic grey	91-		
	928 521 002 27 ARL	Cobalt blue	91-		
	928 521 002 27 ASL	Magenta	91-		
	928 521 002 27 AQL	Light grey	91-		
	928 521 002 27 ATY	Cashmere beige	91-		
	928 521 002 27 BQB	Marine blue	91-		
	928 521 002 27 AVF	Matador red	91-		
	928 521 002 27 AVG	Carrara grey	91-		
	928 521 002 27 AVH	Sherwood green	91-		
	928 521 002 27 DBD	Midnight blue	94-		
	928 521 002 27 DCD	Chestnut brown	94-		
	928 521 002 27 DDD	Marble grey	94-		
	928 521 002 27 DEC	Provence blue	94-		
	928 521 002 27 DEE	Cedar green	94-		
	928 521 002 27 DEF	Flamenco red	94-		
1	928 521 001 82	Comfort seat Lumbar support Seating position control without heating Whole-leather	/L	1	M437

Model: STZ Model life 1985>>1998

Pos	Part Number	Description	Remark	Qty	Model
	928 521 001 82 KZ2	Black	-90		
	928 521 001 82 TS1	Marine blue	-90		
	928 521 001 82 TV1	Mahogany	-90		
	928 521 001 82 LG7	Burgundy	-90		
	928 521 001 82 QC2	Greyish green	-88		
	928 521 001 82 LG5	Champagne	-88		
	928 521 001 82 TW1	Linen	-90		
	928 521 001 82 XN4	Cashmere beige	89-90		
	928 521 001 82 XG1	Plum red	-88		
	928 521 001 82 XG2	Silver-grey	-88		
	928 521 001 82 AVY	Caramel	87-90		
	928 521 001 82 AVZ	Venetian blue	87-90		
	928 521 001 82 AVW	Silk grey	89-90		
	928 521 001 82 AVV	Velvet red	89-90		
	928 521 001 82 AVX	Slate grey	89-90		
	928 521 001 82 ATH	Black	91-		
	928 521 001 82 APL	Classic grey	91-		
	928 521 001 82 ARL	Cobalt blue	91-		
	928 521 001 82 ASL	Magenta	91-		
	928 521 001 82 AQL	Light grey	91-		
	928 521 001 82 ATY	Cashmere beige	91-		
	928 521 001 82 BQB	Marine blue	91-		
	928 521 001 82 AVF	Matador red	91-		
	928 521 001 82 AVG	Carrara grey	91-		
	928 521 001 82 AVH	Sherwood green	91-		
	928 521 001 82 DBD	Midnight blue	94-		
	928 521 001 82 DCD	Chestnut brown	94-		
	928 521 001 82 DDD	Marble grey	94-		
	928 521 001 82 DEC	Provence blue	94-		
	928 521 001 82 DEE	Cedar green	94-		
	928 521 001 82 DEF	Flamenco red	94-		
(1)	928 521 002 82	Comfort seat Lumbar support Seating position control without heating Whole-leather	/R	1	M438
	928 521 002 82 KZ2	Black	-90		
	928 521 002 82 TS1	Marine blue	-90		
	928 521 002 82 TV1	Mahogany	-90		
	928 521 002 82 LG7	Burgundy	-90		
	928 521 002 82 QC2	Greyish green	-88		
	928 521 002 82 LG5	Champagne	-88		
	928 521 002 82 TW1	Linen	-90		
	928 521 002 82 XN4	Cashmere beige	89-90		
	928 521 002 82 XG1	Plum red	-88		
	928 521 002 82 XG2	Silver-grey	-88		
	928 521 002 82 AVY	Caramel	87-90		
	928 521 002 82 AVZ	Venetian blue	87-90		
	928 521 002 82 AVW	Silk grey	89-90		
	928 521 002 82 AVV	Velvet red	89-90		
	928 521 002 82 AVX	Slate grey	89-90		
	928 521 002 82 ATH	Black	91-		
	928 521 002 82 APL	Classic grey	91-		
	928 521 002 82 ARL	Cobalt blue	91-		
	928 521 002 82 ASL	Magenta	91-		
	928 521 002 82 AQL	Light grey	91-		
	928 521 002 82 ATY	Cashmere beige	91-		
	928 521 002 82 BQB	Marine blue	91-		
	928 521 002 82 AVF	Matador red	91-		
	928 521 002 82 AVG	Carrara grey	91-		
	928 521 002 82 AVH	Sherwood green	91-		
	928 521 002 82 DBD	Midnight blue	94-		
	928 521 002 82 DCD	Chestnut brown	94-		

Model: STZ Model life 1985>>1998

Pos	Part Number	Description	Remark	Qty	Model
1	928 521 002 82 DDD	Marble grey	94-	1	M437
	928 521 002 82 DEC	Provence blue	94-		
	928 521 002 82 DEE	Cedar green	94-		
	928 521 002 82 DEF	Flamenco red	94-		
	928 521 001 28	Comfort seat	/L		
		Draped leather			
		Lumbar support			
		Seating position control without heating			
		Whole-leather			
	928 521 001 28 KZ2	Black	-90		
	928 521 001 28 TS1	Marine blue	-90		
	928 521 001 28 TV1	Mahogany	-90		
	928 521 001 28 LG7	Burgundy	-90		
	928 521 001 28 QC2	Greyish green	-88		
	928 521 001 28 LG5	Champagne	-88		
	928 521 001 28 TW1	Linen	-90		
	928 521 001 28 XN4	Cashmere beige	89-90		
	928 521 001 28 XG1	Plum red	-88		
	928 521 001 28 XG2	Silver-grey	-88		
	928 521 001 28 AVY	Caramel	87-90		
	928 521 001 28 AVZ	Venetian blue	87-90		
	928 521 001 28 AVW	Silk grey	89-90		
	928 521 001 28 AVV	Velvet red	89-90		
	928 521 001 28 AVX	Slate grey	89-90		
	928 521 001 28 ATH	Black	91-		
	928 521 001 28 APL	Classic grey	91-		
	928 521 001 28 ARL	Cobalt blue	91-		
	928 521 001 28 ASL	Magenta	91-		
	928 521 001 28 AQL	Light grey	91-		
	928 521 001 28 ATY	Cashmere beige	91-		
	928 521 001 28 BQB	Marine blue	91-		
	928 521 001 28 AVF	Matador red	91-		
	928 521 001 28 AVG	Carrara grey	91-		
928 521 001 28 AVH	Sherwood green	91-			
928 521 001 28 DBD	Midnight blue	94-			
928 521 001 28 DCD	Chestnut brown	94-			
928 521 001 28 DDD	Marble grey	94-			
928 521 001 28 DEC	Provence blue	94-			
928 521 001 28 DEE	Cedar green	94-			
928 521 001 28 DEF	Flamenco red	94-			
(1) 928 521 002 28	Comfort seat	/R			
	Draped leather				
	Lumbar support				
	Seating position control without heating				
	Whole-leather				
928 521 002 28 KZ2	Black	-90			
928 521 002 28 TS1	Marine blue	-90			
928 521 002 28 TV1	Mahogany	-90			
928 521 002 28 LG7	Burgundy	-90			
928 521 002 28 QC2	Greyish green	-88			
928 521 002 28 LG5	Champagne	-88			
928 521 002 28 TW1	Linen	-90			
928 521 002 28 XN4	Cashmere beige	89-90			
928 521 002 28 XG1	Plum red	-88			
928 521 002 28 XG2	Silver-grey	-88			
928 521 002 28 AVY	Caramel	87-90			
928 521 002 28 AVZ	Venetian blue	87-90			
928 521 002 28 AVW	Silk grey	89-90			
928 521 002 28 AVV	Velvet red	89-90			
928 521 002 28 AVX	Slate grey	89-90			
928 521 002 28 ATH	Black	91-			

Model: STZ Model life 1985>>1998

Pos	Part Number	Description	Remark	Qty	Model
	928 521 002 28 APL	Classic grey	91-		
	928 521 002 28 ARL	Cobalt blue	91-		
	928 521 002 28 ASL	Magenta	91-		
	928 521 002 28 AQL	Light grey	91-		
	928 521 002 28 ATY	Cashmere beige	91-		
	928 521 002 28 BQB	Marine blue	91-		
	928 521 002 28 AVF	Matador red	91-		
	928 521 002 28 AVG	Carrara grey	91-		
	928 521 002 28 AVH	Sherwood green	91-		
	928 521 002 28 DBD	Midnight blue	94-		
	928 521 002 28 DCD	Chestnut brown	94-		
	928 521 002 28 DDD	Marble grey	94-		
	928 521 002 28 DEC	Provence blue	94-		
	928 521 002 28 DEE	Cedar green	94-		
	928 521 002 28 DEF	Flamenco red	94-		
1	928 521 001 84	Comfort seat Lumbar support Seating position control with heating Whole-leather	/L	1	M437
	928 521 001 84 KZ2	Black	-90		
	928 521 001 84 TS1	Marine blue	-90		
	928 521 001 84 TV1	Mahogany	-90		
	928 521 001 84 LG7	Burgundy	-90		
	928 521 001 84 QC2	Greyish green	-88		
	928 521 001 84 LG5	Champagne	-88		
	928 521 001 84 TW1	Linen	-90		
	928 521 001 84 XN4	Cashmere beige	89-90		
	928 521 001 84 XG1	Plum red	-88		
	928 521 001 84 XG2	Silver-grey	-88		
	928 521 001 84 AVY	Caramel	87-90		
	928 521 001 84 AVZ	Venetian blue	87-90		
	928 521 001 84 AVW	Silk grey	89-90		
	928 521 001 84 AVV	Velvet red	89-90		
	928 521 001 84 AVX	Slate grey	89-90		
	928 521 001 84 ATH	Black	91-		
	928 521 001 84 APL	Classic grey	91-		
	928 521 001 84 ARL	Cobalt blue	91-		
	928 521 001 84 ASL	Magenta	91-		
	928 521 001 84 AQL	Light grey	91-		
	928 521 001 84 ATY	Cashmere beige	91-		
	928 521 001 84 BQB	Marine blue	91-		
	928 521 001 84 AVF	Matador red	91-		
	928 521 001 84 AVG	Carrara grey	91-		
	928 521 001 84 AVH	Sherwood green	91-		
	928 521 001 84 DBD	Midnight blue	94-		
	928 521 001 84 DCD	Chestnut brown	94-		
	928 521 001 84 DDD	Marble grey	94-		
	928 521 001 84 DEC	Provence blue	94-		
	928 521 001 84 DEE	Cedar green	94-		
	928 521 001 84 DEF	Flamenco red	94-		
(1)	928 521 002 84	Comfort seat Lumbar support Seating position control with heating Whole-leather	/R	1	M438
	928 521 002 84 KZ2	Black	-90		
	928 521 002 84 TS1	Marine blue	-90		
	928 521 002 84 TV1	Mahogany	-90		
	928 521 002 84 LG7	Burgundy	-90		
	928 521 002 84 QC2	Greyish green	-88		
	928 521 002 84 LG5	Champagne	-88		
	928 521 002 84 TW1	Linen	-90		



Model: **STZ** Model life 1985>>1998

Pos	Part Number	Description	Remark	Qty	Model
	928 521 002 84 XN4	Cashmere beige	89-90		
	928 521 002 84 XG1	Plum red	-88		
	928 521 002 84 XG2	Silver-grey	-88		
	928 521 002 84 AVY	Caramel	87-90		
	928 521 002 84 AVZ	Venetian blue	87-90		
	928 521 002 84 AVW	Silk grey	89-90		
	928 521 002 84 AVV	Velvet red	89-90		
	928 521 002 84 AVX	Slate grey	89-90		
	928 521 002 84 ATH	Black	91-		
	928 521 002 84 APL	Classic grey	91-		
	928 521 002 84 ARL	Cobalt blue	91-		
	928 521 002 84 ASL	Magenta	91-		
	928 521 002 84 AQL	Light grey	91-		
	928 521 002 84 ATY	Cashmere beige	91-		
	928 521 002 84 BQB	Marine blue	91-		
	928 521 002 84 AVF	Matador red	91-		
	928 521 002 84 AVG	Carrara grey	91-		
	928 521 002 84 AVH	Sherwood green	91-		
	928 521 002 84 DBD	Midnight blue	94-		
	928 521 002 84 DCD	Chestnut brown	94-		
	928 521 002 84 DDD	Marble grey	94-		
	928 521 002 84 DEC	Provence blue	94-		
	928 521 002 84 DEE	Cedar green	94-		
	928 521 002 84 DEF	Flamenco red	94-		
1	928 521 001 29	Comfort seat Draped leather Lumbar support Seating position control with heating Whole-leather	/L	1	M437
	928 521 001 29 KZ2	Black	-90		
	928 521 001 29 TS1	Marine blue	-90		
	928 521 001 29 TV1	Mahogany	-90		
	928 521 001 29 LG7	Burgundy	-90		
	928 521 001 29 QC2	Greyish green	-88		
	928 521 001 29 LG5	Champagne	-88		
	928 521 001 29 TW1	Linen	-90		
	928 521 001 29 XN4	Cashmere beige	89-90		
	928 521 001 29 XG1	Plum red	-88		
	928 521 001 29 XG2	Silver-grey	-88		
	928 521 001 29 AVY	Caramel	87-90		
	928 521 001 29 AVZ	Venetian blue	87-90		
	928 521 001 29 AVW	Silk grey	89-90		
	928 521 001 29 AVV	Velvet red	89-90		
	928 521 001 29 AVX	Slate grey	89-90		
	928 521 001 29 ATH	Black	91-		
	928 521 001 29 APL	Classic grey	91-		
	928 521 001 29 ARL	Cobalt blue	91-		
	928 521 001 29 ASL	Magenta	91-		
	928 521 001 29 AQL	Light grey	91-		
	928 521 001 29 ATY	Cashmere beige	91-		
	928 521 001 29 BQB	Marine blue	91-		
	928 521 001 29 AVF	Matador red	91-		
	928 521 001 29 AVG	Carrara grey	91-		
	928 521 001 29 AVH	Sherwood green	91-		
	928 521 001 29 DBD	Midnight blue	94-		
	928 521 001 29 DCD	Chestnut brown	94-		
	928 521 001 29 DDD	Marble grey	94-		
	928 521 001 29 DEC	Provence blue	94-		
	928 521 001 29 DEE	Cedar green	94-		
	928 521 001 29 DEF	Flamenco red	94-		
(1)	928 521 002 29	Comfort seat Draped leather	/R	1	M438

Model: STZ Model life 1985>>1998

Pos	Part Number	Description	Remark	Qty	Model
		Lumbar support Seating position control with heating Whole-leather			
	928 521 002 29 KZ2	Black	-90		
	928 521 002 29 TS1	Marine blue	-90		
	928 521 002 29 TV1	Mahogany	-90		
	928 521 002 29 LG7	Burgundy	-90		
	928 521 002 29 QC2	Greyish green	-88		
	928 521 002 29 LG5	Champagne	-88		
	928 521 002 29 TW1	Linen	-90		
	928 521 002 29 XN4	Cashmere beige	89-90		
	928 521 002 29 XG1	Plum red	-88		
	928 521 002 29 XG2	Silver-grey	-88		
	928 521 002 29 AVY	Caramel	87-90		
	928 521 002 29 AVZ	Venetian blue	87-90		
	928 521 002 29 AVW	Silk grey	89-90		
	928 521 002 29 AVV	Velvet red	89-90		
	928 521 002 29 AVX	Slate grey	89-90		
	928 521 002 29 ATH	Black	91-		
	928 521 002 29 APL	Classic grey	91-		
	928 521 002 29 ARL	Cobalt blue	91-		
	928 521 002 29 ASL	Magenta	91-		
	928 521 002 29 AQL	Light grey	91-		
	928 521 002 29 ATY	Cashmere beige	91-		
	928 521 002 29 BQB	Marine blue	91-		
	928 521 002 29 AVF	Matador red	91-		
	928 521 002 29 AVG	Carrara grey	91-		
	928 521 002 29 AVH	Sherwood green	91-		
	928 521 002 29 DBD	Midnight blue	94-		
	928 521 002 29 DCD	Chestnut brown	94-		
	928 521 002 29 DDD	Marble grey	94-		
	928 521 002 29 DEC	Provence blue	94-		
	928 521 002 29 DEE	Cedar green	94-		
	928 521 002 29 DEF	Flamenco red	94-		
1	928 521 001 32	Comfort seat Seating position control without heating Whole-leather	/L	1	M437
	928 521 001 32 KZ2	Black	-90		
	928 521 001 32 TS1	Marine blue	-90		
	928 521 001 32 TV1	Mahogany	-90		
	928 521 001 32 LG7	Burgundy	-90		
	928 521 001 32 QC2	Greyish green	-88		
	928 521 001 32 LG5	Champagne	-88		
	928 521 001 32 TW1	Linen	-90		
	928 521 001 32 XN4	Cashmere beige	89-90		
	928 521 001 32 XG1	Plum red	-88		
	928 521 001 32 XG2	Silver-grey	-88		
	928 521 001 32 AVY	Caramel	87-90		
	928 521 001 32 AVZ	Venetian blue	87-90		
	928 521 001 32 AVW	Silk grey	89-90		
	928 521 001 32 AVV	Velvet red	89-90		
	928 521 001 32 AVX	Slate grey	89-90		
	928 521 001 32 ATH	Black	91-		
	928 521 001 32 APL	Classic grey	91-		
	928 521 001 32 ARL	Cobalt blue	91-		
	928 521 001 32 ASL	Magenta	91-		
	928 521 001 32 AQL	Light grey	91-		
	928 521 001 32 ATY	Cashmere beige	91-		
	928 521 001 32 BQB	Marine blue	91-		
	928 521 001 32 AVF	Matador red	91-		
	928 521 001 32 AVG	Carrara grey	91-		

Model: STZ Model life 1985>>1998

Pos	Part Number	Description	Remark	Qty	Model
	928 521 001 32 AVH	Sherwood green	91-		
	928 521 001 32 DBD	Midnight blue	94-		
	928 521 001 32 DCD	Chestnut brown	94-		
	928 521 001 32 DDD	Marble grey	94-		
	928 521 001 32 DEC	Provence blue	94-		
	928 521 001 32 DEE	Cedar green	94-		
	928 521 001 32 DEF	Flamenco red	94-		
(1)	928 521 002 32	Comfort seat Seating position control without heating Whole-leather	/R	1	M438
	928 521 002 32 KZ2	Black	-90		
	928 521 002 32 TS1	Marine blue	-90		
	928 521 002 32 TV1	Mahogany	-90		
	928 521 002 32 LG7	Burgundy	-90		
	928 521 002 32 QC2	Greyish green	-88		
	928 521 002 32 LG5	Champagne	-88		
	928 521 002 32 TW1	Linen	-90		
	928 521 002 32 XN4	Cashmere beige	89-90		
	928 521 002 32 XG1	Plum red	-88		
	928 521 002 32 XG2	Silver-grey	-88		
	928 521 002 32 AVY	Caramel	87-90		
	928 521 002 32 AVZ	Venetian blue	87-90		
	928 521 002 32 AVW	Silk grey	89-90		
	928 521 002 32 AVV	Velvet red	89-90		
	928 521 002 32 AVX	Slate grey	89-90		
	928 521 002 32 ATH	Black	91-		
	928 521 002 32 APL	Classic grey	91-		
	928 521 002 32 ARL	Cobalt blue	91-		
	928 521 002 32 ASL	Magenta	91-		
	928 521 002 32 AQL	Light grey	91-		
	928 521 002 32 ATY	Cashmere beige	91-		
	928 521 002 32 BQB	Marine blue	91-		
	928 521 002 32 AVF	Matador red	91-		
	928 521 002 32 AVG	Carrara grey	91-		
	928 521 002 32 AVH	Sherwood green	91-		
	928 521 002 32 DBD	Midnight blue	94-		
	928 521 002 32 DCD	Chestnut brown	94-		
	928 521 002 32 DDD	Marble grey	94-		
	928 521 002 32 DEC	Provence blue	94-		
	928 521 002 32 DEE	Cedar green	94-		
	928 521 002 32 DEF	Flamenco red	94-		
1	928 521 001 34	Comfort seat Seating position control with heating Whole-leather	/L	1	M437
	928 521 001 34 KZ2	Black	-90		
	928 521 001 34 TS1	Marine blue	-90		
	928 521 001 34 TV1	Mahogany	-90		
	928 521 001 34 LG7	Burgundy	-90		
	928 521 001 34 QC2	Greyish green	-88		
	928 521 001 34 LG5	Champagne	-88		
	928 521 001 34 TW1	Linen	-90		
	928 521 001 34 XN4	Cashmere beige	89-90		
	928 521 001 34 XG1	Plum red	-88		
	928 521 001 34 XG2	Silver-grey	-88		
	928 521 001 34 AVY	Caramel	87-90		
	928 521 001 34 AVZ	Venetian blue	87-90		
	928 521 001 34 AVW	Silk grey	89-90		
	928 521 001 34 AVV	Velvet red	89-90		
	928 521 001 34 AVX	Slate grey	89-90		
	928 521 001 34 ATH	Black	91-		
	928 521 001 34 APL	Classic grey	91-		

Model: STZ Model life 1985>>1998

Pos	Part Number	Description	Remark	Qty	Model
	928 521 001 34 ARL	Cobalt blue	91-		
	928 521 001 34 ASL	Magenta	91-		
	928 521 001 34 AQL	Light grey	91-		
	928 521 001 34 ATY	Cashmere beige	91-		
	928 521 001 34 BQB	Marine blue	91-		
	928 521 001 34 AVF	Matador red	91-		
	928 521 001 34 AVG	Carrara grey	91-		
	928 521 001 34 AVH	Sherwood green	91-		
	928 521 001 34 DBD	Midnight blue	94-		
	928 521 001 34 DCD	Chestnut brown	94-		
	928 521 001 34 DDD	Marble grey	94-		
	928 521 001 34 DEC	Provence blue	94-		
	928 521 001 34 DEE	Cedar green	94-		
	928 521 001 34 DEF	Flamenco red	94-		
(1)	928 521 002 34	Comfort seat Seating position control with heating Whole-leather	/R	1	M438
	928 521 002 34 KZ2	Black	-90		
	928 521 002 34 TS1	Marine blue	-90		
	928 521 002 34 TV1	Mahogany	-90		
	928 521 002 34 LG7	Burgundy	-90		
	928 521 002 34 QC2	Greyish green	-88		
	928 521 002 34 LG5	Champagne	-88		
	928 521 002 34 TW1	Linen	-90		
	928 521 002 34 XN4	Cashmere beige	89-90		
	928 521 002 34 XG1	Plum red	-88		
	928 521 002 34 XG2	Silver-grey	-88		
	928 521 002 34 AVY	Caramel	87-90		
	928 521 002 34 AVZ	Venetian blue	87-90		
	928 521 002 34 AVW	Silk grey	89-90		
	928 521 002 34 AVV	Velvet red	89-90		
	928 521 002 34 AVX	Slate grey	89-90		
	928 521 002 34 ATH	Black	91-		
	928 521 002 34 APL	Classic grey	91-		
	928 521 002 34 ARL	Cobalt blue	91-		
	928 521 002 34 ASL	Magenta	91-		
	928 521 002 34 AQL	Light grey	91-		
	928 521 002 34 ATY	Cashmere beige	91-		
	928 521 002 34 BQB	Marine blue	91-		
	928 521 002 34 AVF	Matador red	91-		
	928 521 002 34 AVG	Carrara grey	91-		
	928 521 002 34 AVH	Sherwood green	91-		
	928 521 002 34 DBD	Midnight blue	94-		
	928 521 002 34 DCD	Chestnut brown	94-		
	928 521 002 34 DDD	Marble grey	94-		
	928 521 002 34 DEC	Provence blue	94-		
	928 521 002 34 DEE	Cedar green	94-		
	928 521 002 34 DEF	Flamenco red	94-		
1	928 521 001 36	Comfort seat Draped leather Seating position control without heating Whole-leather	/L	1	M437
	928 521 001 36 KZ2	Black	-90		
	928 521 001 36 TS1	Marine blue	-90		
	928 521 001 36 TV1	Mahogany	-90		
	928 521 001 36 LG7	Burgundy	-90		
	928 521 001 36 QC2	Greyish green	-88		
	928 521 001 36 LG5	Champagne	-88		
	928 521 001 36 TW1	Linen	-90		
	928 521 001 36 XN4	Cashmere beige	89-90		
	928 521 001 36 XG1	Plum red	-88		

Model: STZ Model life 1985>>1998

Pos	Part Number	Description	Remark	Qty	Model
	928 521 001 36 XG2	Silver-grey	-88		
	928 521 001 36 AVY	Caramel	87-90		
	928 521 001 36 AVZ	Venetian blue	87-90		
	928 521 001 36 AVW	Silk grey	89-90		
	928 521 001 36 AVV	Velvet red	89-90		
	928 521 001 36 AVX	Slate grey	89-90		
	928 521 001 36 ATH	Black	91-		
	928 521 001 36 APL	Classic grey	91-		
	928 521 001 36 ARL	Cobalt blue	91-		
	928 521 001 36 ASL	Magenta	91-		
	928 521 001 36 AQL	Light grey	91-		
	928 521 001 36 ATY	Cashmere beige	91-		
	928 521 001 36 BQB	Marine blue	91-		
	928 521 001 36 AVF	Matador red	91-		
	928 521 001 36 AVG	Carrara grey	91-		
	928 521 001 36 AVH	Sherwood green	91-		
	928 521 001 36 DBD	Midnight blue	94-		
	928 521 001 36 DCD	Chestnut brown	94-		
	928 521 001 36 DDD	Marble grey	94-		
	928 521 001 36 DEC	Provence blue	94-		
	928 521 001 36 DEE	Cedar green	94-		
	928 521 001 36 DEF	Flamenco red	94-		
(1)	928 521 002 36	Comfort seat Draped leather Seating position control without heating Whole-leather	/R	1	M438
	928 521 002 36 KZ2	Black	-90		
	928 521 002 36 TS1	Marine blue	-90		
	928 521 002 36 TV1	Mahogany	-90		
	928 521 002 36 LG7	Burgundy	-90		
	928 521 002 36 QC2	Greyish green	-88		
	928 521 002 36 LG5	Champagne	-88		
	928 521 002 36 TW1	Linen	-90		
	928 521 002 36 XN4	Cashmere beige	89-90		
	928 521 002 36 XG1	Plum red	-88		
	928 521 002 36 XG2	Silver-grey	-88		
	928 521 002 36 AVY	Caramel	87-90		
	928 521 002 36 AVZ	Venetian blue	87-90		
	928 521 002 36 AVW	Silk grey	89-90		
	928 521 002 36 AVV	Velvet red	89-90		
	928 521 002 36 AVX	Slate grey	89-90		
	928 521 002 36 ATH	Black	91-		
	928 521 002 36 APL	Classic grey	91-		
	928 521 002 36 ARL	Cobalt blue	91-		
	928 521 002 36 ASL	Magenta	91-		
	928 521 002 36 AQL	Light grey	91-		
	928 521 002 36 ATY	Cashmere beige	91-		
	928 521 002 36 BQB	Marine blue	91-		
	928 521 002 36 AVF	Matador red	91-		
	928 521 002 36 AVG	Carrara grey	91-		
	928 521 002 36 AVH	Sherwood green	91-		
	928 521 002 36 DBD	Midnight blue	94-		
	928 521 002 36 DCD	Chestnut brown	94-		
	928 521 002 36 DDD	Marble grey	94-		
	928 521 002 36 DEC	Provence blue	94-		
	928 521 002 36 DEE	Cedar green	94-		
	928 521 002 36 DEF	Flamenco red	94-		
1	928 521 001 37	Comfort seat Draped leather Seating position control with heating Whole-leather	/L	1	M437

Model: STZ Model life 1985>>1998

Pos	Part Number	Description	Remark	Qty	Model
	928 521 001 37 KZ2	Black	-90		
	928 521 001 37 TS1	Marine blue	-90		
	928 521 001 37 TV1	Mahogany	-90		
	928 521 001 37 LG7	Burgundy	-90		
	928 521 001 37 QC2	Greyish green	-88		
	928 521 001 37 LG5	Champagne	-88		
	928 521 001 37 TW1	Linen	-90		
	928 521 001 37 XN4	Cashmere beige	89-90		
	928 521 001 37 XG1	Plum red	-88		
	928 521 001 37 XG2	Silver-grey	-88		
	928 521 001 37 AVY	Caramel	87-90		
	928 521 001 37 AVZ	Venetian blue	87-90		
	928 521 001 37 AVW	Silk grey	89-90		
	928 521 001 37 AVV	Velvet red	89-90		
	928 521 001 37 AVX	Slate grey	89-90		
	928 521 001 37 ATH	Black	91-		
	928 521 001 37 APL	Classic grey	91-		
	928 521 001 37 ARL	Cobalt blue	91-		
	928 521 001 37 ASL	Magenta	91-		
	928 521 001 37 AQL	Light grey	91-		
	928 521 001 37 ATY	Cashmere beige	91-		
	928 521 001 37 BQB	Marine blue	91-		
	928 521 001 37 AVF	Matador red	91-		
	928 521 001 37 AVG	Carrara grey	91-		
	928 521 001 37 AVH	Sherwood green	91-		
	928 521 001 37 DBD	Midnight blue	94-		
	928 521 001 37 DCD	Chestnut brown	94-		
	928 521 001 37 DDD	Marble grey	94-		
	928 521 001 37 DEC	Provence blue	94-		
	928 521 001 37 DEE	Cedar green	94-		
	928 521 001 37 DEF	Flamenco red	94-		
(1)	928 521 002 37	Comfort seat Draped leather Seating position control with heating Whole-leather	/R	1	M438
	928 521 002 37 KZ2	Black	-90		
	928 521 002 37 TS1	Marine blue	-90		
	928 521 002 37 TV1	Linen	-90		
	928 521 002 37 LG7	Burgundy	-90		
	928 521 002 37 QC2	Greyish green	-88		
	928 521 002 37 LG5	Champagne	-88		
	928 521 002 37 TW1	Linen	-90		
	928 521 002 37 XN4	Cashmere beige	89-90		
	928 521 002 37 XG1	Plum red	-88		
	928 521 002 37 XG2	Silver-grey	-88		
	928 521 002 37 AVY	Caramel	87-90		
	928 521 002 37 AVZ	Venetian blue	87-90		
	928 521 002 37 AVW	Silk grey	89-90		
	928 521 002 37 AVV	Velvet red	89-90		
	928 521 002 37 AVX	Slate grey	89-90		
	928 521 002 37 ATH	Black	91-		
	928 521 002 37 APL	Classic grey	91-		
	928 521 002 37 ARL	Cobalt blue	91-		
	928 521 002 37 ASL	Magenta	91-		
	928 521 002 37 AQL	Light grey	91-		
	928 521 002 37 ATY	Cashmere beige	91-		
	928 521 002 37 BQB	Marine blue	91-		
	928 521 002 37 AVF	Matador red	91-		
	928 521 002 37 AVG	Carrara grey	91-		
	928 521 002 37 AVH	Sherwood green	91-		
	928 521 002 37 DBD	Midnight blue	94-		
	928 521 002 37 DCD	Chestnut brown	94-		

Model: STZ Model life 1985&gt;&gt;1998

Pos	Part Number	Description	Remark	Qty	Model		
1A	928 521 002 37 DDD	Marble grey	94-	1	M437		
	928 521 002 37 DEC	Provence blue	94-				
	928 521 002 37 DEE	Cedar green	94-				
	928 521 002 37 DEF	Flamenco red	94-				
	928 521 001 88	Comfort seat without heating Leather/ Centre part in cloth Pin stripe velour	/L				
	928 521 001 88 LS5	Black/ Black-white	-90				
	928 521 001 88 TU1	Mahogany/ Mahogany-white	-90				
	928 521 001 88 TR1	Blue/ Blue-white	-90				
	928 521 001 88 LS9	Burgundy/ Burgundy-white	-90				
	928 521 001 88 QA7	Greyish green/ Greyish green-white	-88				
(1A)	928 521 001 88 XF5	Linen/ Linen white	89-90	1	M438		
	928 521 001 88 XF8	Cashmere beige/ Cashmere beige-white	89-90				
	928 521 002 88	Comfort seat without heating Leather/ Centre part in cloth Pin stripe velour	/R				
	928 521 002 88 LS5	Black/ Black-white	-90				
	928 521 002 88 TU1	Mahogany/ Mahogany-white	-90				
	928 521 002 88 TR1	Blue/ Blue-white	-90				
	928 521 002 88 LS9	Burgundy/ Burgundy-white	-90				
	928 521 002 88 QA7	Greyish green/ Greyish green-white	-88				
	928 521 002 88 XF5	Linen/ Linen white	89-90				
	928 521 002 88 XF8	Cashmere beige/ Cashmere beige-white	89-90				
(1A)	928 521 001 90	Comfort seat with heating Leather/ Centre part in cloth Pin stripe velour	/L	1	M437		
	928 521 001 90 LS5	Black/ Black-white	-90				
	928 521 001 90 TU1	Mahogany/ Mahogany-white	-90				
	928 521 001 90 TR1	Blue/ Blue-white	-90				
	928 521 001 90 LS9	Burgundy/ Burgundy-white	-90				
	928 521 001 90 QA7	Greyish green/ Greyish green-white	-88				
	928 521 001 90 XF5	Linen/ Linen white	89-90				
	928 521 001 90 XF8	Cashmere beige/ Cashmere beige-white	89-90				
	928 521 002 90	Comfort seat with heating	/R			1	M438
	(1A)						

Model: STZ Model life 1985>>1998

Pos	Part Number	Description	Remark	Qty	Model
		Leather/ Centre part in cloth Pin stripe velour			
	928 521 002 90 LS5	Black/ Black-white	-90		
	928 521 002 90 TU1	Mahogany/ Mahogany-white	-90		
	928 521 002 90 TR1	Blue/ Blue-white	-90		
	928 521 002 90 LS9	Burgundy/ Burgundy-white	-90		
	928 521 002 90 QA7	Greyish green/ Greyish green-white	-88		
	928 521 002 90 XF5	Linen/ Linen white	89-90		
	928 521 002 90 XF8	Cashmere beige/ Cashmere beige-white	89-90		
1A	928 521 001 92	Comfort seat Lumbar support without heating Leather/ Centre part in cloth Pin stripe velour	/L	1	M437
	928 521 001 92 LS5	Black/ Black-white	-90		
	928 521 001 92 TU1	Mahogany/ Mahogany-white	-90		
	928 521 001 92 TR1	Blue/ Blue-white	-90		
	928 521 001 92 LS9	Burgundy/ Burgundy-white	-90		
	928 521 001 92 QA7	Greyish green Greyish green-white	-88		
	928 521 001 92 XF5	Linen/ Linen white	89-90		
	928 521 001 92 XF8	Cashmere beige/ Cashmere beige-white	89-90		
(1A)	928 521 002 92	Comfort seat Lumbar support without heating Leather/ Centre part in cloth Pin stripe velour	/R	1	M438
	928 521 002 92 LS5	Black/ Black-white	-90		
	928 521 002 92 TU1	Mahogany/ Mahogany-white	-90		
	928 521 002 92 TR1	Blue/ Blue-white	-90		
	928 521 002 92 LS9	Burgundy/ Burgundy-white	-90		
	928 521 002 92 QA7	Greyish green Greyish green-white	-88		
	928 521 002 92 XF5	Linen/ Linen white	89-90		
	928 521 002 92 XF8	Cashmere beige/ Cashmere beige-white	89-90		
1A	928 521 001 94	Comfort seat Lumbar support with heating Leather/ Centre part in cloth Pin stripe velour	/L	1	M437



Model: STZ Model life 1985>>1998

Pos	Part Number	Description	Remark	Qty	Model
	928 521 001 94 LS5	Black/ Black-white	-90		
	928 521 001 94 TU1	Mahogany/ Mahogany-white	-90		
	928 521 001 94 TR1	Blue/ Blue-white	-90		
	928 521 001 94 LS9	Burgundy/ Burgundy-white	-90		
	928 521 001 94 QA7	Greyish green Greyish green-white	-88		
	928 521 001 94 XF5	Linen/ Linen white	89-90		
	928 521 001 94 XF8	Cashmere beige/ Cashmere beige-white	89-90		
(1A)	928 521 002 94	Comfort seat Lumbar support with heating Leather/ Centre part in cloth Pin stripe velour	/R	1	M438
	928 521 002 94 LS5	Black/ Black-white	-90		
	928 521 002 94 TU1	Mahogany Mahogany-white	-90		
	928 521 002 94 TR1	Marine blue Blue-white	-90		
	928 521 002 94 LS9	Burgundy/ Burgundy-white	-90		
	928 521 002 94 QA7	Greyish green Greyish green-white	-88		
	928 521 002 94 XF5	Linen/ Linen white	89-90		
	928 521 002 94 XF8	Cashmere beige/ Cashmere beige-white	89-90		
1A	928 521 001 83	Comfort seat Lumbar support Seating position control without heating Leather/ Centre part in cloth Pin stripe velour	/L	1	M437
	928 521 001 83 LS5	Black/ Black-white	-90		
	928 521 001 83 TU1	Mahogany Mahogany-white	-90		
	928 521 001 83 TR1	Marine blue Blue-white	-90		
	928 521 001 83 LS9	Burgundy/ Burgundy-white	-90		
	928 521 001 83 QA7	Greyish green/ Greyish green-white	-88		
	928 521 001 83 XF5	Linen/ Linen white	89-90		
	928 521 001 83 XF8	Cashmere beige/ Cashmere beige-white	89-90		
(1A)	928 521 002 83	Comfort seat Lumbar support Seating position control without heating Leather/ Centre part in cloth Pin stripe velour	/R	1	M438
	928 521 002 83 LS5	Black/ Black-white	-90		

Model: STZ Model life 1985&gt;&gt;1998

Pos	Part Number	Description	Remark	Qty	Model
	928 521 002 83 TU1	Black-white Mahogany/ Mahogany-white	-90		
	928 521 002 83 TR1	Blue/ Blue-white	-90		
	928 521 002 83 LS9	Burgundy/ Burgundy-white	-90		
	928 521 002 83 QA7	Greyish green Greyish green-white	-88		
	928 521 002 83 XF5	Linen/ Linen white	89-90		
	928 521 002 83 XF8	Cashmere beige/ Cashmere beige-white	89-90		
1A	928 521 001 85	Comfort seat Lumbar support Seating position control with heating Leather/ Centre part in cloth Pin stripe velour	/L	1	M437
	928 521 001 85 LS5	Black/ Black-white	-90		
	928 521 001 85 TU1	Mahogany/ Mahogany-white	-90		
	928 521 001 85 TR1	Blue/ Blue-white	-90		
	928 521 001 85 LS9	Burgundy/ Burgundy-white	-90		
	928 521 001 85 QA7	Greyish green Greyish green-white	-88		
	928 521 001 85 XF5	Linen/ Linen white	89-90		
	928 521 001 85 XF8	Cashmere beige/ Cashmere beige-white	89-90		
(1A)	928 521 002 85	Comfort seat Lumbar support Seating position control with heating Leather/ Centre part in cloth Pin stripe velour	/R	1	M438
	928 521 002 85 LS5	Black/ Black-white	-90		
	928 521 002 85 TU1	Mahogany/ Mahogany-white	-90		
	928 521 002 85 TR1	Blue/ Blue-white	-90		
	928 521 002 85 LS9	Burgundy/ Burgundy-white	-90		
	928 521 002 85 QA7	Greyish green Greyish green-white	-88		
	928 521 002 85 XF5	Linen/ Linen white	89-90		
	928 521 002 85 XF8	Cashmere beige/ Cashmere beige-white	89-90		
1A	928 521 001 33	Comfort seat Seating position control without heating Leather/ Centre part in cloth Pin stripe velour	/L	1	M437
	928 521 001 33 LS5	Black/ Black-white	-90		

Model: STZ Model life 1985>>1998

Pos	Part Number	Description	Remark	Qty	Model
	928 521 001 33 TU1	Mahogany/ Mahogany-white	-90		
	928 521 001 33 TR1	Blue/ Blue-white	-90		
	928 521 001 33 LS9	Burgundy/ Burgundy-white	-90		
	928 521 001 33 QA7	Greyish green/ Greyish green-white	-88		
	928 521 001 33 XF5	Linen/ Linen white	89-90		
	928 521 001 33 XF8	Cashmere beige/ Cashmere beige-white	89-90		
(1A)	928 521 002 33	Comfort seat Seating position control without heating Leather/ Centre part in cloth Pin stripe velour	/R	1	M438
	928 521 002 33 LS5	Black/ Black-white	-90		
	928 521 002 33 TU1	Mahogany/ Mahogany-white	-90		
	928 521 002 33 TR1	Blue/ Blue-white	-90		
	928 521 002 33 LS9	Burgundy/ Burgundy-white	-90		
	928 521 002 33 QA7	Greyish green/ Greyish green-white	-88		
	928 521 002 33 XF5	Linen/ Linen white	89-90		
	928 521 002 33 XF8	Cashmere beige/ Cashmere beige-white	89-90		
1A	928 521 001 35	Comfort seat Seating position control with heating Leather/ Centre part in cloth Pin stripe velour	/L	1	M437
	928 521 001 35 LS5	Black/ Black-white	-90		
	928 521 001 35 TU1	Mahogany/ Mahogany-white	-90		
	928 521 001 35 TR1	Blue/ Blue-white	-90		
	928 521 001 35 LS9	Burgundy/ Burgundy-white	-90		
	928 521 001 35 QA7	Greyish green/ Greyish green-white	-88		
	928 521 001 35 XF5	Linen/ Linen white	89-90		
	928 521 001 35 XF8	Cashmere beige/ Cashmere beige-white	89-90		
(1A)	928 521 002 35	Comfort seat Seating position control with heating Leather/ Centre part in cloth Pin stripe velour	/R	1	M438
	928 521 002 35 LS5	Black/ Black-white	-90		
	928 521 002 35 TU1	Mahogany/ Mahogany-white	-90		
	928 521 002 35 TR1	Blue/ Blue-white	-90		

Model: STZ Model life 1985>>1998

Pos	Part Number	Description	Remark	Qty	Model
	928 521 002 35 LS9	Blue-white Burgundy/ Burgundy-white	-90		
	928 521 002 35 QA7	Greyish green/ Greyish green-white	-88		
	928 521 002 35 XF5	Linen/ Linen white	89-90		
	928 521 002 35 XF8	Cashmere beige/ Cashmere beige-white	89-90		
1A	928 521 001 88	Comfort seat without heating Leather/ Centre part in cloth Multicolour	/L   89-	1	M437
	928 521 001 88 XG6	Black/black	-90		
	928 521 001 88 XG7	Mahogany/mahogany	-90		
	928 521 001 88 XG8	Marine blue/blue	-90		
	928 521 001 88 XG9	Burgundy/burgundy	-90		
	928 521 001 88 XF7	Linen/linen	-90		
	928 521 001 88 XG5	Cashmere beige/cash. beige	-90		
	928 521 001 88 ATJ	Black/black	91-		
	928 521 001 88 AOT	Classic grey/classic grey	91-		
	928 521 001 88 AQU	Cobalt blue/cobalt blue	91-		
	928 521 001 88 ASJ	Magenta/Magenta	91-		
	928 521 001 88 AQJ	Light grey/light grey	91-		
	928 521 001 88 ATW	Cashmere beige/cash. beige	91-		
(1A)	928 521 001 88 BQJ	Marine blue/marine blue	91-		
	928 521 002 88	Comfort seat without heating Leather/ Centre part in cloth Multicolour	/R   89-	1	M438
	928 521 002 88 XG6	Black/black	-90		
	928 521 002 88 XG7	Mahogany/mahogany	-90		
	928 521 002 88 XG8	Marine blue/blue	-90		
	928 521 002 88 XG9	Burgundy/burgundy	-90		
	928 521 002 88 XF7	Linen/linen	-90		
	928 521 002 88 XG5	Cashmere beige/cash. beige	-90		
	928 521 002 88 ATJ	Black/black	91-		
	928 521 002 88 AOT	Classic grey/classic grey	91-		
	928 521 002 88 AQU	Cobalt blue/cobalt blue	91-		
	928 521 002 88 ASJ	Magenta/Magenta	91-		
	928 521 002 88 AQJ	Light grey/light grey	91-		
	928 521 002 88 ATW	Cashmere beige/cash. beige	91-		
(1A)	928 521 002 88 BQJ	Marine blue/marine blue	91-		
	928 521 001 90	Comfort seat with heating Leather/ Centre part in cloth Multicolour	/L   89-	1	M437
	928 521 001 90 XG6	Black/black	-90		
	928 521 001 90 XG7	Mahogany/mahogany	-90		
	928 521 001 90 XG8	Marine blue/blue	-90		
	928 521 001 90 XG9	Burgundy/burgundy	-90		
	928 521 001 90 XF7	Linen/linen	-90		
	928 521 001 90 XG5	Cashmere beige/cash. beige	-90		
	928 521 001 90 ATJ	Black/black	91-		
	928 521 001 90 AOT	Classic grey/classic grey	91-		
	928 521 001 90 AQU	Cobalt blue/cobalt blue	91-		
	928 521 001 90 ASJ	Magenta/Magenta	91-		
	928 521 001 90 AQJ	Light grey/light grey	91-		
	928 521 001 90 ATW	Cashmere beige/cash. beige	91-		
	928 521 001 90 BQJ	Marine blue/marine blue	91-		

Model: STZ Model life 1985>>1998

Pos	Part Number	Description	Remark	Qty	Model
(1A)	928 521 002 90	Comfort seat with heating Leather/ Centre part in cloth Multicolour	/R	1	M438
	928 521 002 90 XG6	Black/black	89- -90		
	928 521 002 90 XG7	Mahogany/mahogany	-90		
	928 521 002 90 XG8	Marine blue/blue	-90		
	928 521 002 90 XG9	Burgundy/burgundy	-90		
	928 521 002 90 XF7	Linen/linen	-90		
	928 521 002 90 XG5	Cashmere beige/cash. beige	-90		
	928 521 002 90 ATJ	Black/black	91-		
	928 521 002 90 AOT	Classic grey/classic grey	91-		
	928 521 002 90 AQU	Cobalt blue/cobalt blue	91-		
	928 521 002 90 ASJ	Magenta/Magenta	91-		
	928 521 002 90 AQJ	Light grey/light grey	91-		
	928 521 002 90 ATW	Cashmere beige/cash. beige	91-		
	928 521 002 90 BQJ	Marine blue/marine blue	91-		
1A	928 521 001 92	Comfort seat Lumbar support without heating Leather/ Centre part in cloth Multicolour	/L	1	M437
	928 521 001 92 XG6	Black/black	89- -90		
	928 521 001 92 XG7	Mahogany/mahogany	-90		
	928 521 001 92 XG8	Marine blue/blue	-90		
	928 521 001 92 XG9	Burgundy/burgundy	-90		
	928 521 001 92 XF7	Linen/linen	-90		
	928 521 001 92 XG5	Cashmere beige/cash. beige	-90		
	928 521 001 92 ATJ	Black/black	91-		
	928 521 001 92 AOT	Classic grey/classic grey	91-		
	928 521 001 92 AQU	Cobalt blue/cobalt blue	91-		
	928 521 001 92 ASJ	Magenta/Magenta	91-		
	928 521 001 92 AQJ	Light grey/light grey	91-		
	928 521 001 92 ATW	Cashmere beige/cash. beige	91-		
	928 521 001 92 BQJ	Marine blue/marine blue	91-		
(1A)	928 521 002 92	Comfort seat Lumbar support without heating Leather/ Centre part in cloth Multicolour	/R	1	M438
	928 521 002 92 XG6	Black/black	89- -90		
	928 521 002 92 XG7	Mahogany/mahogany	-90		
	928 521 002 92 XG8	Marine blue/blue	-90		
	928 521 002 92 XG9	Burgundy/burgundy	-90		
	928 521 002 92 XF7	Linen/linen	-90		
	928 521 002 92 XG5	Cashmere beige/cash. beige	-90		
	928 521 002 92 ATJ	Black/black	91-		
	928 521 002 92 AOT	Classic grey/classic grey	91-		
	928 521 002 92 AQU	Cobalt blue/cobalt blue	91-		
	928 521 002 92 ASJ	Magenta/Magenta	91-		
	928 521 002 92 AQJ	Light grey/light grey	91-		
	928 521 002 92 ATW	Cashmere beige/cash. beige	91-		
	928 521 002 92 BQJ	Marine blue/marine blue	91-		
1A	928 521 001 94	Comfort seat Lumbar support with heating Leather/ Centre part in cloth Multicolour	/L	1	M437
	928 521 001 94 XG6	Black/black	89- -90		

Model: STZ Model life 1985>>1998

Pos	Part Number	Description	Remark	Qty	Model
	928 521 001 94 XG7	Mahogany/mahogany	-90		
	928 521 001 94 XG8	Marine blue/blue	-90		
	928 521 001 94 XG9	Burgundy/burgundy	-90		
	928 521 001 94 XF7	Linen/linen	-90		
	928 521 001 94 XG5	Cashmere beige/cash. beige	-90		
	928 521 001 94 ATJ	Black/black	91-		
	928 521 001 94 AOT	Classic grey/classic grey	91-		
	928 521 001 94 AQU	Cobalt blue/cobalt blue	91-		
	928 521 001 94 ASJ	Magenta/Magenta	91-		
	928 521 001 94 AQJ	Light grey/light grey	91-		
	928 521 001 94 ATW	Cashmere beige/cash. beige	91-		
	928 521 001 94 BQJ	Marine blue/marine blue	91-		
(1A)	928 521 002 94	Comfort seat Lumbar support with heating Leather/ Centre part in cloth Multicolour	/R    89-	1	M438
	928 521 002 94 XG6	Black/black	-90		
	928 521 002 94 XG7	Mahogany/mahogany	-90		
	928 521 002 94 XG8	Marine blue/blue	-90		
	928 521 002 94 XG9	Burgundy/burgundy	-90		
	928 521 002 94 XF7	Linen/linen	-90		
	928 521 002 94 XG5	Cashmere beige/cash. beige	-90		
	928 521 002 94 ATJ	Black/black	91-		
	928 521 002 94 AOT	Classic grey/classic grey	91-		
	928 521 002 94 AQU	Cobalt blue/cobalt blue	91-		
	928 521 002 94 ASJ	Magenta/Magenta	91-		
	928 521 002 94 AQJ	Light grey/light grey	91-		
	928 521 002 94 ATW	Cashmere beige/cash. beige	91-		
	928 521 002 94 BQJ	Marine blue/marine blue	91-		
1A	928 521 001 83	Comfort seat Lumbar support Seating position control without heating Leather/ Centre part in cloth Multicolour	/L    89-	1	M437
	928 521 001 83 XG6	Black/black	-90		
	928 521 001 83 XG7	Mahogany/mahogany	-90		
	928 521 001 83 XG8	Marine blue/marine blue	-90		
	928 521 001 83 XG9	Burgundy/burgundy	-90		
	928 521 001 83 XF7	Linen/linen	-90		
	928 521 001 83 XG5	Cashmere beige/cash. beige	-90		
	928 521 001 83 ATJ	Black/black	91-		
	928 521 001 83 AOT	Classic grey/classic grey	91-		
	928 521 001 83 AQU	Cobalt blue/cobalt blue	91-		
	928 521 001 83 ASJ	Magenta/Magenta	91-		
	928 521 001 83 AQJ	Light grey/light grey	91-		
	928 521 001 83 ATW	Cashmere beige/cash. beige	91-		
	928 521 001 83 BQJ	Marine blue/marine blue	91-		
(1A)	928 521 002 83	Comfort seat Lumbar support Seating position control without heating Leather/ Centre part in cloth Multicolour	/R    89-	1	M438
	928 521 002 83 XG6	Black/black	-90		
	928 521 002 83 XG7	Mahogany/mahogany	-90		
	928 521 002 83 XG8	Marine blue/blue	-90		
	928 521 002 83 XG9	Burgundy/burgundy	-90		
	928 521 002 83 XF7	Linen/linen	-90		

Model: STZ Model life 1985>>1998

Pos	Part Number	Description	Remark	Qty	Model
1A	928 521 002 83 XG5	Cashmere beige/cash. beige	-90	1	M437
	928 521 002 83 ATJ	Black/black	91-		
	928 521 002 83 AOT	Classic grey/classic grey	91-		
	928 521 002 83 AQU	Cobalt blue/cobalt blue	91-		
	928 521 002 83 ASJ	Magenta/Magenta	91-		
	928 521 002 83 AQJ	Light grey/light grey	91-		
	928 521 002 83 ATW	Cashmere beige/cash. beige	91-		
	928 521 002 83 BQJ	Marine blue/marine blue	91-		
	928 521 001 85	Comfort seat Lumbar support Seating position control with heating Leather/ Centre part in cloth Multicolour	/L      89-		
	928 521 001 85 XG6	Black/black	-90		
	928 521 001 85 XG7	Mahogany/mahogany	-90		
	928 521 001 85 XG8	Marine blue/blue	-90		
	928 521 001 85 XG9	Burgundy/burgundy	-90		
	928 521 001 85 XF7	Linen/linen	-90		
	928 521 001 85 XG5	Cashmere beige/cash. beige	-90		
	928 521 001 85 ATJ	Black/black	91-		
	928 521 001 85 AOT	Classic grey/classic grey	91-		
	928 521 001 85 AQU	Cobalt blue/cobalt blue	91-		
	928 521 001 85 ASJ	Magenta/Magenta	91-		
928 521 001 85 AQJ	Light grey/light grey	91-			
928 521 001 85 ATW	Cashmere beige/cash. beige	91-			
928 521 001 85 BQJ	Marine blue/marine blue	91-			
(1A)	928 521 002 85	Comfort seat Lumbar support Seating position control with heating Leather/ Centre part in cloth Multicolour	/R      89-	1	M438
1A	928 521 002 85 XG6	Black/black	-90	1	M437
	928 521 002 85 XG7	Mahogany/mahogany	-90		
	928 521 002 85 XG8	Marine blue/blue	-90		
	928 521 002 85 XG9	Burgundy/burgundy	-90		
	928 521 002 85 XF7	Linen/linen	-90		
	928 521 002 85 XG5	Cashmere beige/cash. beige	-90		
	928 521 002 85 ATJ	Black/black	91-		
	928 521 002 85 AOT	Classic grey/classic grey	91-		
	928 521 002 85 AQU	Cobalt blue/cobalt blue	91-		
	928 521 002 85 ASJ	Magenta/Magenta	91-		
	928 521 002 85 AQJ	Light grey/light grey	91-		
	928 521 002 85 ATW	Cashmere beige/cash. beige	91-		
	928 521 002 85 BQJ	Marine blue/marine blue	91-		
	928 521 001 33	Comfort seat Seating position control without heating Leather/ Centre part in cloth Multicolour	/L      89-		
	928 521 001 33 XG6	Black/black	-90		
	928 521 001 33 XG7	Mahogany/mahogany	-90		
	928 521 001 33 XG8	Marine blue/marine blue	-90		
	928 521 001 33 XG9	Burgundy/burgundy	-90		
	928 521 001 33 XF7	Linen/linen	-90		
928 521 001 33 XG5	Cashmere beige/cash. beige	-90			
928 521 001 33 ATJ	Black/black	91-			
928 521 001 33 AOT	Classic grey/classic grey	91-			
928 521 001 33 AQU	Cobalt blue/cobalt blue	91-			

Model: STZ Model life 1985>>1998

Pos	Part Number	Description	Remark	Qty	Model
(1A)	928 521 001 33 ASJ	Magenta/Magenta	91-	1	M438
	928 521 001 33 AQJ	Light grey/light grey	91-		
	928 521 001 33 ATW	Cashmere beige/cash. beige	91-		
	928 521 001 33 BQJ	Marine blue/marine blue	91-		
	928 521 002 33	Comfort seat	/R		
		Seating position control without heating			
		Leather/			
		Centre part in cloth			
		Multicolour	89-		
	928 521 002 33 XG6	Black/black	-90		
	928 521 002 33 XG7	Mahogany/mahogany	-90		
	928 521 002 33 XG8	Marine blue/blue	-90		
	928 521 002 33 XG9	Burgundy/burgundy	-90		
	928 521 002 33 XF7	Linen/linen	-90		
	928 521 002 33 XG5	Cashmere beige/cash. beige	-90		
	928 521 002 33 ATJ	Black/black	91-		
	928 521 002 33 AOT	Classic grey/classic grey	91-		
	928 521 002 33 AQU	Cobalt blue/cobalt blue	91-		
	928 521 002 33 ASJ	Magenta/Magenta	91-		
928 521 002 33 AQJ	Light grey/light grey	91-			
928 521 002 33 ATW	Cashmere beige/cash. beige	91-			
928 521 002 33 BQJ	Marine blue/marine blue	91-			
1A	928 521 001 35	Comfort seat	/L	1	M437
		Seating position control with heating			
		Leather/			
		Centre part in cloth			
		Multicolour	89-		
	928 521 001 35 XG6	Black/black	-90		
	928 521 001 35 XG7	Mahogany/mahogany	-90		
	928 521 001 35 XG8	Marine blue/marine blue	-90		
	928 521 001 35 XG9	Burgundy/burgundy	-90		
	928 521 001 35 XF7	Linen/linen	-90		
	928 521 001 35 XG5	Cashmere beige/cash. beige	-90		
	928 521 001 35 ATJ	Black/black	91-		
	928 521 001 35 AOT	Classic grey/classic grey	91-		
	928 521 001 35 AQU	Cobalt blue/cobalt blue	91-		
	928 521 001 35 ASJ	Magenta/Magenta	91-		
	928 521 001 35 AQJ	Light grey/light grey	91-		
	928 521 001 35 ATW	Cashmere beige/cash. beige	91-		
	928 521 001 35 BQJ	Marine blue/marine blue	91-		
(1A)	928 521 002 35	Comfort seat	/R	1	M438
		Seating position control with heating			
		Leather/			
		Centre part in cloth			
		Multicolour	89-		
	928 521 002 35 XG6	Black/black	-90		
	928 521 002 35 XG7	Mahogany/mahogany	-90		
	928 521 002 35 XG8	Marine blue/blue	-90		
	928 521 002 35 XG9	Burgundy/burgundy	-90		
	928 521 002 35 XF7	Linen/linen	-90		
	928 521 002 35 XG5	Cashmere beige/cash. beige	-90		
	928 521 002 35 ATJ	Black/black	91-		
	928 521 002 35 AOT	Classic grey/classic grey	91-		
	928 521 002 35 AQU	Cobalt blue/cobalt blue	91-		
	928 521 002 35 ASJ	Magenta/Magenta	91-		
	928 521 002 35 AQJ	Light grey/light grey	91-		
	928 521 002 35 ATW	Cashmere beige/cash. beige	91-		
	928 521 002 35 BQJ	Marine blue/marine blue	91-		
1A	928 521 001 88	Comfort seat	/L	1	M437
		without heating			



Model: STZ Model life 1985>>1998

Pos	Part Number	Description	Remark	Qty	Model
		Leather/ Centre part in cloth Pin stripe flannel	-88		
	928 521 001 88 QB1	Black/anthracite			
	928 521 001 88 TU2	Mahogany/mahogany			
	928 521 001 88 TR2	Marine blue/blue			
	928 521 001 88 QB7	Burgundy/burgundy			
	928 521 001 88 QA8	Greyish green/grey-green			
(1A)	928 521 002 88	Comfort seat without heating Leather/ Centre part in cloth Pin stripe flannel	/R -88	1	M438
	928 521 002 88 QB1	Black/anthracite			
	928 521 002 88 TU2	Mahogany/mahogany			
	928 521 002 88 TR2	Marine blue/blue			
	928 521 002 88 QB7	Burgundy/burgundy			
	928 521 002 88 QA8	Greyish green/grey-green			
(1A)	928 521 001 90	Comfort seat with heating Leather/ Centre part in cloth Pin stripe flannel	/L -88	1	M437
	928 521 001 90 QB1	Black/anthracite			
	928 521 001 90 TU2	Mahogany/mahogany			
	928 521 001 90 TR2	Marine blue/blue			
	928 521 001 90 QB7	Burgundy/burgundy			
	928 521 001 90 QA8	Greyish green/grey-green			
(1A)	928 521 002 90	Comfort seat with heating Leather/ Centre part in cloth Pin stripe flannel	/R -88	1	M438
	928 521 002 90 QB1	Black/anthracite			
	928 521 002 90 TU2	Mahogany/mahogany			
	928 521 002 90 TR2	Marine blue/blue			
	928 521 002 90 QB7	Burgundy/burgundy			
	928 521 002 90 QA8	Greyish green/grey-green			
1A	928 521 001 92	Comfort seat Lumbar support without heating Leather/ Centre part in cloth Pin stripe flannel	/L -88	1	M437
	928 521 001 92 QB1	Black/anthracite			
	928 521 001 92 TU2	Mahogany			
	928 521 001 92 TR2	Marine blue			
	928 521 001 92 QB7	Burgundy/burgundy			
	928 521 001 92 QA8	Greyish green/grey-green			
(1A)	928 521 002 92	Comfort seat Lumbar support without heating Leather/ Centre part in cloth Pin stripe flannel	/R -88	1	M438
	928 521 002 92 QB1	Black/anthracite			
	928 521 002 92 TU2	Mahogany			
	928 521 002 92 TR2	Marine blue			
	928 521 002 92 QB7	Burgundy/burgundy			
	928 521 002 92 QA8	Greyish green/grey-green			
1A	928 521 001 94	Comfort seat Lumbar support with heating	/L	1	M437

Model: STZ Model life 1985>>1998

Pos	Part Number	Description	Remark	Qty	Model
		Leather/ Centre part in cloth Pin stripe flannel	-88		
	928 521 001 94 QB1	Black/anthracite			
	928 521 001 94 TU2	Mahogany			
	928 521 001 94 TR2	Marine blue			
	928 521 001 94 QB7	Burgundy/burgundy			
	928 521 001 94 QA8	Greyish green/grey-green			
(1A)	928 521 002 94	Comfort seat Lumbar support with heating	/R	1	M438
		Leather/ Centre part in cloth Pin stripe flannel	-88		
	928 521 002 94 QB1	Black/anthracite			
	928 521 002 94 TU2	Mahogany			
	928 521 002 94 TR2	Marine blue			
	928 521 002 94 QB7	Burgundy/burgundy			
	928 521 002 94 QA8	Greyish green/grey-green			
1A	928 521 001 83	Comfort seat Lumbar support Seating position control without heating	/L	1	M437
		Leather/ Centre part in cloth Pin stripe flannel	-88		
	928 521 001 83 QB1	Black/anthracite			
	928 521 001 83 TU2	Mahogany			
	928 521 001 83 TR2	Marine blue			
	928 521 001 83 QB7	Burgundy/burgundy			
	928 521 001 83 QA8	Greyish green/grey-green			
(1A)	928 521 002 83	Comfort seat Lumbar support Seating position control without heating	/R	1	M438
		Leather/ Centre part in cloth Pin stripe flannel	-88		
	928 521 002 83 QB1	Black/anthracite			
	928 521 002 83 TU2	Mahogany			
	928 521 002 83 TR2	Marine blue			
	928 521 002 83 QB7	Burgundy/burgundy			
	928 521 002 83 QA8	Greyish green/grey-green			
1A	928 521 001 85	Comfort seat Lumbar support Seating position control with heating	/L	1	M437
		Leather/ Centre part in cloth Pin stripe flannel	-88		
	928 521 001 85 QB1	Black/anthracite			
	928 521 001 85 TU2	Mahogany			
	928 521 001 85 TR2	Marine blue			
	928 521 001 85 QB7	Burgundy/burgundy			
	928 521 001 85 QA8	Greyish green/grey-green			
(1A)	928 521 002 85	Comfort seat Lumbar support Seating position control with heating	/R	1	M438
		Leather/ Centre part in cloth Pin stripe flannel	-88		
	928 521 002 85 QB1	Black/anthracite			

Model: STZ Model life 1985>>1998

Pos	Part Number	Description	Remark	Qty	Model
1A	928 521 002 85 TU2	Mahogany			
	928 521 002 85 TR2	Marine blue			
	928 521 002 85 QB7	Burgundy/burgundy			
	928 521 002 85 QA8	Greyish green/grey-green			
	928 521 001 33	Comfort seat Seating position control without heating Leather/ Centre part in cloth Pin stripe flannel	/L    -88	1	M437
(1A)	928 521 001 33 QB1	Black/anthracite			
	928 521 001 33 TU2	Mahogany/mahogany			
	928 521 001 33 TR2	Marine blue/blue			
	928 521 001 33 QB7	Burgundy/burgundy			
	928 521 001 33 QA8	Greyish green/grey-green			
1A	928 521 002 33	Comfort seat Seating position control without heating Leather/ Centre part in cloth Pin stripe flannel	/R    -88	1	M438
	928 521 002 33 QB1	Black/anthracite			
	928 521 002 33 TU2	Mahogany/mahogany			
	928 521 002 33 TR2	Marine blue/blue			
	928 521 002 33 QB7	Burgundy/burgundy			
1A	928 521 002 33 QA8	Greyish green/grey-green			
	928 521 001 35	Comfort seat Seating position control with heating Leather/ Centre part in cloth Pin stripe flannel	/L    -88	1	M437
	928 521 001 35 QB1	Black/anthracite			
	928 521 001 35 TU2	Mahogany/mahogany			
	928 521 001 35 TR2	Marine blue/blue			
(1A)	928 521 001 35 QB7	Burgundy/burgundy			
	928 521 001 35 QA8	Greyish green/grey-green			
	928 521 002 35	Comfort seat Seating position control with heating Leather/ Centre part in cloth Pin stripe flannel	/R    -88	1	M438
	928 521 002 35 QB1	Black/anthracite			
	928 521 002 35 TU2	Mahogany/mahogany			
1A	928 521 002 35 TR2	Marine blue/blue			
	928 521 002 35 QB7	Burgundy/burgundy			
	928 521 002 35 QA8	Greyish green/grey-green			
	928 521 001 88	Comfort seat without heating Leather/ Centre part Porsche lettering cloth	/L    -90	1	M437
	928 521 001 88 QB2	Black/black	-90		
928 521 001 88 TU3	Mahogany/mahogany	-90			
928 521 001 88 TR3	Marine blue/blue	-90			
928 521 001 88 QB8	Burgundy/burgundy	-90			
928 521 001 88 XF6	Linen/linen	89-90			
928 521 001 88 XF9	Cashmere beige/cash. beige	89-90			
928 521 001 88 QA9	Greyish green/grey-green	-88			
928 521 001 88 ATD	Black/black	91-			
928 521 001 88 APG	Classic grey/classic grey	91-			
928 521 001 88 ARG	Cobalt blue/cobalt blue	91-			

Model: STZ Model life 1985>>1998

Pos	Part Number	Description	Remark	Qty	Model
	928 521 001 88 ASG	Magenta/Magenta	91-		
	928 521 001 88 AQG	Light grey/light grey	91-		
	928 521 001 88 ATU	Cashmere beige/cash. beige	91-		
	928 521 001 88 BQL	Marine blue/marine blue	91-		
	928 521 001 88 DBB	Midnight bl./midnight blue	94-		
	928 521 001 88 DCB	Chestnut brown/	94-		
	928 521 001 88 DDB	Marble grey/marble grey	94-		
(1A)	928 521 002 88	Comfort seat without heating Leather/ Centre part Porsche lettering cloth	/R	1	M438
	928 521 002 88 QB2	Black/black	-90		
	928 521 002 88 TU3	Mahogany	-90		
	928 521 002 88 TR3	Marine blue	-90		
	928 521 002 88 QB8	Burgundy/burgundy	-90		
	928 521 002 88 XF6	Linen/linen	89-90		
	928 521 002 88 XF9	Cashmere beige/cash. beige	89-90		
	928 521 002 88 QA9	Greyish green/grey-green	-88		
	928 521 002 88 ATD	Black/black	91-		
	928 521 002 88 APG	Classic grey/classic grey	91-		
	928 521 002 88 ARG	Cobalt blue/cobalt blue	91-		
	928 521 002 88 ASG	Magenta/Magenta	91-		
	928 521 002 88 AQG	Light grey/light grey	91-		
	928 521 002 88 ATU	Cashmere beige/cash. beige	91-		
	928 521 002 88 BQL	Marine blue/marine blue	91-		
	928 521 002 88 DBB	Midnight bl./midnight blue	94-		
	928 521 002 88 DCB	Chestnut brown/	94-		
	928 521 002 88 DDB	Marble grey/marble grey	94-		
(1A)	928 521 001 90	Comfort seat with heating Leather/ Centre part Porsche lettering cloth	/L	1	M437
	928 521 001 90 QB2	Black/black	-90		
	928 521 001 90 TU3	Mahogany/mahogany	-90		
	928 521 001 90 TR3	Marine blue/blue	-90		
	928 521 001 90 QB8	Burgundy/burgundy	-90		
	928 521 001 90 XF6	Linen/linen	89-90		
	928 521 001 90 XF9	Cashmere beige/cash. beige	89-90		
	928 521 001 90 QA9	Greyish green/grey-green	-88		
	928 521 001 90 ATD	Black/black	91-		
	928 521 001 90 APG	Classic grey/classic grey	91-		
	928 521 001 90 ARG	Cobalt blue/cobalt blue	91-		
	928 521 001 90 ASG	Magenta/Magenta	91-		
	928 521 001 90 AQG	Light grey/light grey	91-		
	928 521 001 90 ATU	Cashmere beige/cash. beige	91-		
	928 521 001 90 BQL	Marine blue/marine blue	91-		
	928 521 001 90 DBB	Midnight bl./midnight blue	94-		
	928 521 001 90 DCB	Chestnut brown/	94-		
	928 521 001 90 DDB	Marble grey/marble grey	94-		
(1A)	928 521 002 90	Comfort seat with heating Leather/ Centre part Porsche lettering cloth	/R	1	M438
	928 521 002 90 QB2	Black/black	-90		
	928 521 002 90 TU3	Mahogany/mahogany	-90		
	928 521 002 90 TR3	Marine blue/blue	-90		
	928 521 002 90 QB8	Burgundy/burgundy	-90		
	928 521 002 90 XF6	Linen/linen	89-90		
	928 521 002 90 XF9	Cashmere beige/cash. beige	89-90		
	928 521 002 90 QA9	Greyish green/grey-green	-88		

Model: STZ Model life 1985>>1998

Pos	Part Number	Description	Remark	Qty	Model
	928 521 002 90 ATD	Black/black	91-		
	928 521 002 90 APG	Classic grey/classic grey	91-		
	928 521 002 90 ARG	Cobalt blue/cobalt blue	91-		
	928 521 002 90 ASG	Magenta/Magenta	91-		
	928 521 002 90 AQG	Light grey/light grey	91-		
	928 521 002 90 ATU	Cashmere beige/cash. beige	91-		
	928 521 002 90 BQL	Marine blue/marine blue	91-		
	928 521 002 90 DBB	Midnight bl./midnight blue	94-		
	928 521 002 90 DCB	Chestnut brown/	94-		
	928 521 002 90 DDB	Marble grey/marble grey	94-		
1A	928 521 001 92	Comfort seat Lumbar support without heating Leather/ Centre part Porsche lettering cloth	/L	1	M437
	928 521 001 92 QB2	Black/black	-90		
	928 521 001 92 TU3	Mahogany	-90		
	928 521 001 92 TR3	Marine blue	-90		
	928 521 001 92 QB8	Burgundy/burgundy	-90		
	928 521 001 92 XF6	Linen/linen	89-90		
	928 521 001 92 XF9	Cashmere beige/cash. beige	89-90		
	928 521 001 92 QA9	Greyish green/grey-green	-88		
	928 521 001 92 ATD	Black/black	91-		
	928 521 001 92 APG	Classic grey/classic grey	91-		
	928 521 001 92 ARG	Cobalt blue/cobalt blue	91-		
	928 521 001 92 ASG	Magenta/Magenta	91-		
	928 521 001 92 AQG	Light grey/light grey	91-		
	928 521 001 92 ATU	Cashmere beige/cash. beige	91-		
	928 521 001 92 BQL	Marine blue/marine blue	91-		
	928 521 001 92 DBB	Midnight bl./midnight blue	94-		
	928 521 001 92 DCB	Chestnut brown/	94-		
	928 521 001 92 DDB	Marble grey/marble grey	94-		
(1A)	928 521 002 92	Comfot seat Lumbar support without heating Leather/ Centre part Porsche lettering cloth	/R	1	M438
	928 521 002 92 QB2	Black/black	-90		
	928 521 002 92 TU3	Mahogany	-90		
	928 521 002 92 TR3	Marine blue	-90		
	928 521 002 92 QB8	Burgundy/burgundy	-90		
	928 521 002 92 XF6	Linen/linen	89-90		
	928 521 002 92 XF9	Cashmere beige/cash. beige	89-90		
	928 521 002 92 QA9	Greyish green/grey-green	-88		
	928 521 002 92 ATD	Black/black	91-		
	928 521 002 92 APG	Classic grey/classic grey	91-		
	928 521 002 92 ARG	Cobalt blue/cobalt blue	91-		
	928 521 002 92 ASG	Magenta/Magenta	91-		
	928 521 002 92 AQG	Light grey/light grey	91-		
	928 521 002 92 ATU	Cashmere beige/cash. beige	91-		
	928 521 002 92 BQL	Marine blue/marine blue	91-		
	928 521 002 92 DBB	Midnight bl./midnight blue	94-		
	928 521 002 92 DCB	Chestnut brown/	94-		
	928 521 002 92 DDB	Marble grey/marble grey	94-		
1A	928 521 001 94	Comfot seat Lumbar support with heating Leather/ Centre part Porsche lettering cloth	/L	1	M437
	928 521 001 94 QB2	Black/black	-90		

Model: STZ Model life 1985>>1998

Pos	Part Number	Description	Remark	Qty	Model
	928 521 001 94 TU3	Mahogany	-90		
	928 521 001 94 TR3	Marine blue	-90		
	928 521 001 94 QB8	Burgundy/burgundy	-90		
	928 521 001 94 XF6	Cashmere beige/cash. beige	89-90		
	928 521 001 94 XF9	Cashmere beige/cash. beige	89-90		
	928 521 001 94 QA9	Greyish green/grey-green	-88		
	928 521 001 94 ATD	Black/black	91-		
	928 521 001 94 APG	Classic grey/classic grey	91-		
	928 521 001 94 ARG	Cobalt blue/cobalt blue	91-		
	928 521 001 94 ASG	Magenta/Magenta	91-		
	928 521 001 94 AQG	Light grey/light grey	91-		
	928 521 001 94 ATU	Cashmere beige/cash. beige	91-		
	928 521 001 94 BQL	Marine blue/marine blue	91-		
	928 521 001 94 DBB	Midnight bl./midnight blue	94-		
	928 521 001 94 DCB	Chestnut brown/	94-		
	928 521 001 94 DDB	Marble grey/marble grey	94-		
(1A)	928 521 002 94	Comfort seat Lumbar support with heating Leather/ Centre part Porsche lettering cloth	/R	1	M438
	928 521 002 94 QB2	Black/black	-90		
	928 521 002 94 TU3	Mahogany	-90		
	928 521 002 94 TR3	Marine blue	-90		
	928 521 002 94 QB8	Burgundy/burgundy	-90		
	928 521 002 94 XF6	Linen/linen	89-90		
	928 521 002 94 XF9	Cashmere beige/cash. beige	89-90		
	928 521 002 94 QA9	Greyish green/grey-green	-88		
	928 521 002 94 ATD	Black/black	91-		
	928 521 002 94 APG	Classic grey/classic grey	91-		
	928 521 002 94 ARG	Cobalt blue/cobalt blue	91-		
	928 521 002 94 ASG	Magenta/Magenta	91-		
	928 521 002 94 AQG	Light grey/light grey	91-		
	928 521 002 94 ATU	Cashmere beige/cash. beige	91-		
	928 521 002 94 BQL	Marine blue/marine blue	91-		
	928 521 002 94 DBB	Midnight bl./midnight blue	94-		
	928 521 002 94 DCB	Chestnut brown/	94-		
	928 521 002 94 DDB	Marble grey/marble grey	94-		
1A	928 521 001 83	Comfort seat Lumbar support Seating position control without heating Leather/ Centre part Porsche lettering cloth	/L	1	M437
	928 521 001 83 QB2	Black/black	-90		
	928 521 001 83 TU3	Mahogany	-90		
	928 521 001 83 TR3	Marine blue	-90		
	928 521 001 83 QB8	Burgundy/burgundy	-90		
	928 521 001 83 XF6	Linen/linen	89-90		
	928 521 001 83 XF9	Cashmere beige/cash. beige	89-90		
	928 521 001 83 QA9	Greyish green/grey-green	-88		
	928 521 001 83 ATD	Black/black	91-		
	928 521 001 83 APG	Classic grey/classic grey	91-		
	928 521 001 83 ARG	Cobalt blue/cobalt blue	91-		
	928 521 001 83 ASG	Magenta/Magenta	91-		
	928 521 001 83 AQG	Light grey/light grey	91-		
	928 521 001 83 ATU	Cashmere beige/cash. beige	91-		
	928 521 001 83 BQL	Marine blue/blue	91-		
	928 521 001 83 DBB	Midnight bl./midnight blue	94-		
	928 521 001 83 DCB	Chestnut brown/	94-		
	928 521 001 83 DDB	Marble grey/marble grey	94-		

Model: STZ Model life 1985>>1998

Pos	Part Number	Description	Remark	Qty	Model
(1A)	928 521 002 83	Comfort seat Lumbar support Seating position control without heating Leather/ Centre part Porsche lettering cloth	/R	1	M438
	928 521 002 83 QB2	Black/black	-90		
	928 521 002 83 TU3	Mahogany	-90		
	928 521 002 83 TR3	Marine blue	-90		
	928 521 002 83 QB8	Burgundy/burgundy	-90		
	928 521 002 83 XF6	Linen/linen	89-90		
	928 521 002 83 XF9	Cashmere beige/cash. beige	89-90		
	928 521 002 83 QA9	Greyish green/grey-green	-88		
	928 521 002 83 ATD	Black/black	91-		
	928 521 002 83 APG	Classic grey/classic grey	91-		
	928 521 002 83 ARG	Cobalt blue/cobalt blue	91-		
	928 521 002 83 ASG	Magenta/Magenta	91-		
	928 521 002 83 AQG	Light grey/light grey	91-		
	928 521 002 83 ATU	Cashmere beige/cash. beige	91-		
	928 521 002 83 BQL	Marine blue/marine blue	91-		
	928 521 002 83 DBB	Midnight bl./midnight blue	94-		
	928 521 002 83 DCB	Chestnut brown/	94-		
	928 521 002 83 DDB	Marble grey/marble grey	94-		
1A	928 521 001 85	Comfort seat Lumbar support Seating position control with heating Leather/ Centre part Porsche lettering cloth	/L	1	M437
	928 521 001 85 QB2	Black/black	-90		
	928 521 001 85 TU3	Mahogany	-90		
	928 521 001 85 TR3	Marine blue	-90		
	928 521 001 85 QB8	Burgundy/burgundy	-90		
	928 521 001 85 XF6	Linen/linen	89-90		
	928 521 001 85 XF9	Cashmere beige/cash. beige	89-90		
	928 521 001 85 QA9	Greyish green/grey-green	-88		
	928 521 001 85 ATD	Black/black	91-		
	928 521 001 85 APG	Classic grey/classic grey	91-		
	928 521 001 85 ARG	Cobalt blue/cobalt blue	91-		
	928 521 001 85 ASG	Magenta/Magenta	91-		
	928 521 001 85 AQG	Light grey/light grey	91-		
	928 521 001 85 ATU	Cashmere beige/cash. beige	91-		
	928 521 001 85 BQL	Marine blue/marine blue	91-		
	928 521 001 85 DBB	Midnight bl./midnight blue	94-		
	928 521 001 85 DCB	Chestnut brown/	94-		
	928 521 001 85 DDB	Marble grey/marble grey	94-		
(1A)	928 521 002 85	Comfort seat Lumbar support Seating position control with heating Leather/ Centre part Porsche lettering cloth	/R	1	M438
	928 521 002 85 QB2	Black/black	-90		
	928 521 002 85 TU3	Mahogany	-90		
	928 521 002 85 TR3	Marine blue	-90		
	928 521 002 85 QB8	Burgundy/burgundy	-90		
	928 521 002 85 XF6	Linen/linen	89-90		
	928 521 002 85 XF9	Cashmere beige/cash. beige	89-90		
	928 521 002 85 QA9	Greyish green/grey-green	-88		
	928 521 002 85 ATD	Black/black	91-		

Model: STZ Model life 1985>>1998

Pos	Part Number	Description	Remark	Qty	Model
	928 521 002 85 APG	Classic grey/classic grey	91-		
	928 521 002 85 ARG	Cobalt blue/cobalt blue	91-		
	928 521 002 85 ASG	Magenta/Magenta	91-		
	928 521 002 85 AQG	Light grey/light grey	91-		
	928 521 002 85 ATU	Cashmere beige/cash. beige	91-		
	928 521 002 85 BQL	Marine blue/marine blue	91-		
	928 521 002 85 DBB	Midnight bl./midnight blue	94-		
	928 521 002 85 DCB	Chestnut brown/	94-		
	928 521 002 85 DDB	Marble grey/marble grey	94-		
1A	928 521 001 33	Comfort seat Seating position control without heating Leather/ Centre part Porsche lettering cloth	/L	1	M437
	928 521 001 33 QB2	Black/black	-90		
	928 521 001 33 TU3	Mahogany/mahogany	-90		
	928 521 001 33 TR3	Marine blue/blue	-90		
	928 521 001 33 QB8	Burgundy/burgundy	-90		
	928 521 001 33 XF6	Linen/linen	89-90		
	928 521 001 33 XF9	Cashmere beige/cash. beige	89-90		
	928 521 001 33 QA9	Greyish green/grey-green	-88		
	928 521 001 33 ATD	Black/black	91-		
	928 521 001 33 APG	Classic grey/classic grey	91-		
	928 521 001 33 ARG	Cobalt blue/cobalt blue	91-		
	928 521 001 33 ASG	Magenta/Magenta	91-		
	928 521 001 33 AQG	Light grey/light grey	91-		
	928 521 001 33 ATU	Cashmere beige/cash. beige	91-		
	928 521 001 33 BQL	Marine blue/blue	91-		
	928 521 001 33 DBB	Midnight bl./midnight blue	94-		
	928 521 001 33 DCB	Chestnut brown/	94-		
	928 521 001 33 DDB	Marble grey/marble grey	94-		
(1A)	928 521 002 33	Comfort seat Seating position control without heating Leather/ Centre part Porsche lettering cloth	/R	1	M438
	928 521 002 33 QB2	Black/black	-90		
	928 521 002 33 TU3	Mahogany/mahogany	-90		
	928 521 002 33 TR3	Marine blue/blue	-90		
	928 521 002 33 QB8	Burgundy/burgundy	-90		
	928 521 002 33 XF6	Linen/linen	89-90		
	928 521 002 33 XF9	Cashmere beige/cash. beige	89-90		
	928 521 002 33 QA9	Greyish green/grey-green	-88		
	928 521 002 33 ATD	Black/black	91-		
	928 521 002 33 APG	Classic grey/classic grey	91-		
	928 521 002 33 ARG	Cobalt blue/cobalt blue	91-		
	928 521 002 33 ASG	Magenta/Magenta	91-		
	928 521 002 33 AQG	Light grey/light grey	91-		
	928 521 002 33 ATU	Cashmere beige/cash. beige	91-		
	928 521 002 33 BQL	Marine blue/marine blue	91-		
	928 521 002 33 DBB	Midnight bl./midnight blue	94-		
	928 521 002 33 DCB	Chestnut brown/	94-		
	928 521 002 33 DDB	Marble grey/marble grey	94-		
1A	928 521 001 35	Comfort seat Seating position control with heating Leather/ Centre part Porsche lettering cloth	/L	1	M437
	928 521 001 35 QB2	Black/black	-90		
	928 521 001 35 TU3	Mahogany/mahogany	-90		



Model: STZ Model life 1985>>1998

Pos	Part Number	Description	Remark	Qty	Model
	928 521 001 35 TR3	Marine blue/blue	-90		
	928 521 001 35 QB8	Burgundy/burgundy	-90		
	928 521 001 35 XF6	Linen/linen	89-90		
	928 521 001 35 XF9	Cashmere beige/cash. beige	89-90		
	928 521 001 35 QA9	Greyish green/grey-green	-88		
	928 521 001 35 ATD	Black/black	91-		
	928 521 001 35 APG	Classic grey/classic grey	91-		
	928 521 001 35 ARG	Cobalt blue/cobalt blue	91-		
	928 521 001 35 ASG	Magenta/Magenta	91-		
	928 521 001 35 AQG	Light grey/light grey	91-		
	928 521 001 35 ATU	Cashmere beige/cash. beige	91-		
	928 521 001 35 BQL	Marine blue/blue	91-		
	928 521 001 35 DBB	Midnight bl./midnight blue	94-		
	928 521 001 35 DCB	Chestnut brown/	94-		
	928 521 001 35 DDB	Marble grey/marble grey	94-		
(1A)	928 521 002 35	Comfort seat Seating position control with heating Leather/ Centre part Porsche lettering cloth	/R	1	M438
	928 521 002 35 QB2	Black/black	-90		
	928 521 002 35 TU3	Mahogany/mahogany	-90		
	928 521 002 35 TR3	Marine blue/blue	-90		
	928 521 002 35 QB8	Burgundy/burgundy	-90		
	928 521 002 35 XF6	Linen/linen	89-90		
	928 521 002 35 XF9	Cashmere beige/cash. beige	89-90		
	928 521 002 35 QA9	Greyish green/grey-green	-88		
	928 521 002 35 ATD	Black/black	91-		
	928 521 002 35 APG	Classic grey/classic grey	91-		
	928 521 002 35 ARG	Cobalt blue/cobalt blue	91-		
	928 521 002 35 ASG	Magenta/Magenta	91-		
	928 521 002 35 AQG	Light grey/light grey	91-		
	928 521 002 35 ATU	Cashmere beige/cash. beige	91-		
	928 521 002 35 BQL	Marine blue/marine blue	91-		
	928 521 002 35 DBB	Midnight bl./midnight blue	94-		
	928 521 002 35 DCB	Chestnut brown/	94-		
	928 521 002 35 DDB	Marble grey/marble grey	94-		
2	911 521 547 00	Screw M 10 X 20		8	
3	928 521 717 02	Square rod for backrest adjustment		4	
4	928 521 716 02	Lock washer for backrest adjustment		4	
5	900 249 004 02	Countersunk-head screw M 4 X 8 for backrest adjustment		4	
6	928 521 147 02	Cover	/L	2	
	928 521 147 02 01C	Black			
	928 521 147 02 4MJ	Mahogany	-90		
	928 521 147 02 9JJ	Marine blue			
	928 521 147 02 9MM	Burgundy	-90		
	928 521 147 02 7XJ	Linen	-90		
	928 521 147 02 3UD	Cashmere beige	89-		
	928 521 147 02 1DJ	Greyish green	-88		
	928 521 147 02 4XC	Classic grey	91-		
	928 521 147 02 6ZF	Cobalt blue	91-		
	928 521 147 02 6WX	Magenta	91-		
	928 521 147 02 9ZN	Light grey	91-		
(6)	928 521 148 02	Cover	/R	2	
	928 521 148 02 01C	Black			
	928 521 148 02 4MJ	Mahogany	-90		
	928 521 148 02 9JJ	Marine blue			

Model: STZ Model life 1985>>1998

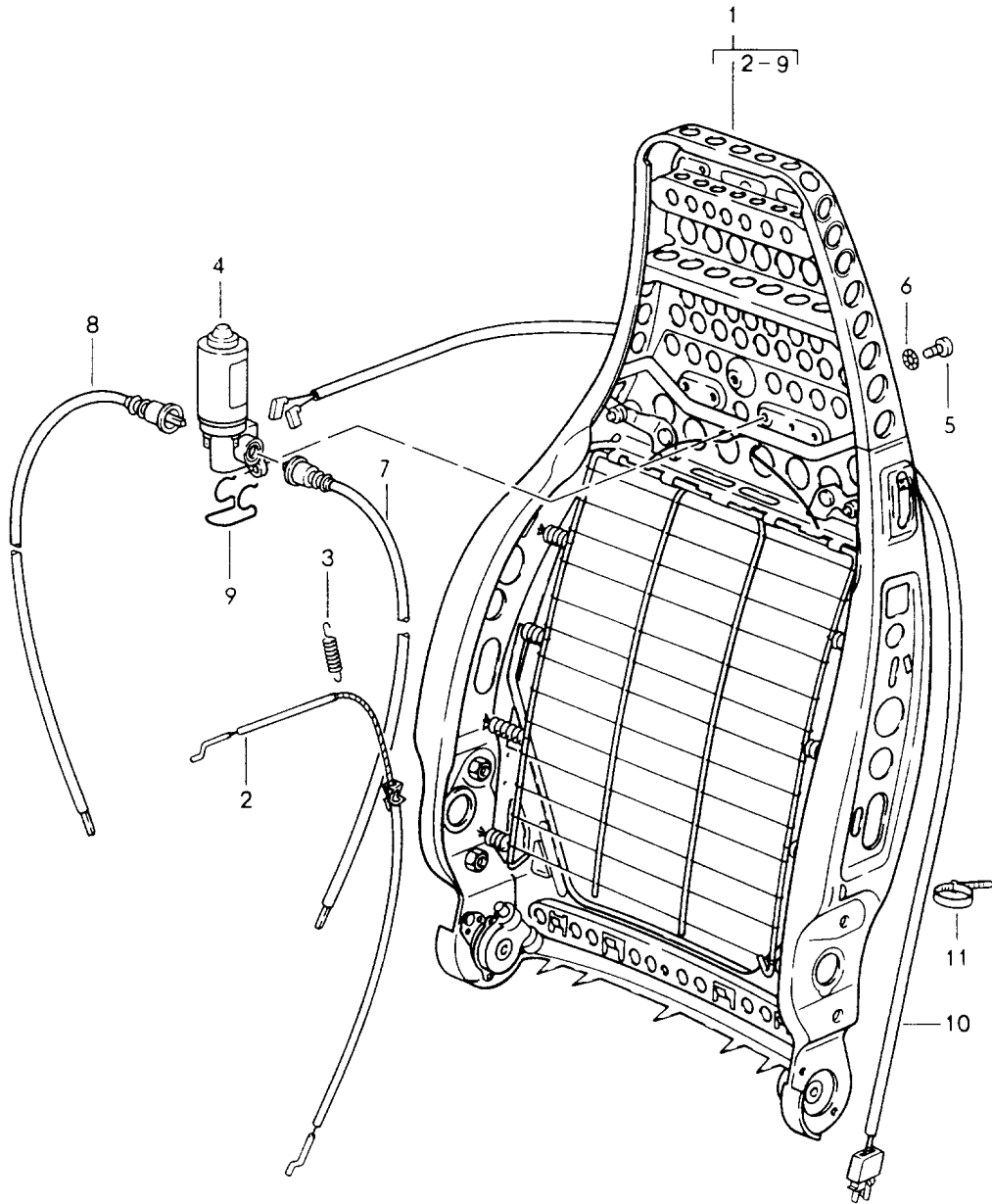
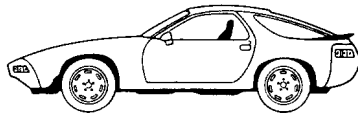
Pos	Part Number	Description	Remark	Qty	Model
	928 521 148 02 9MM	Burgundy	-90		
	928 521 148 02 7XJ	Linen	-90		
	928 521 148 02 3UD	Cashmere beige	89-		
	928 521 148 02 1DJ	Greyish green	-88		
	928 521 148 02 4XC	Classic grey	91-		
	928 521 148 02 6ZF	Cobalt blue	91-		
	928 521 148 02 6WX	Magenta	91-		
	928 521 148 02 9ZN	Light grey	91-		
(6)	928 521 067 00	Cover Leather for Special leather Seat See TPI GR.8 NR.37	/L 90-	2	
	928 521 067 00 4MT	Velvet red	-90		
	928 521 067 00 5VT	Silk grey	-90		
	928 521 067 00 2WT	Slate grey	-90		
	928 521 067 00 4UC	Caramel	-90		
	928 521 067 00 7KC	Venetian blue	-90		
	928 521 067 00 M05	Matador red	91-		
	928 521 067 00 D35	Carrara grey	91-		
	928 521 067 00 J25	Sherwood green	91-		
(6)	928 521 068 00	Cover Leather for Special leather Seat See TPI GR.8 NR.37	/R 90-	2	
	928 521 068 00 4MT	Velvet red	-90		
	928 521 068 00 5VT	Silk grey	-90		
	928 521 068 00 2WT	Slate grey	-90		
	928 521 068 00 4UC	Caramel	-90		
	928 521 068 00 7KC	Venetian blue	-90		
	928 521 068 00 M05	Matador red	91-		
	928 521 068 00 D35	Carrara grey	91-		
	928 521 068 00 J25	Sherwood green	91-		
7	900 025 044 07	Washer A 4,3		8	
8	N 013 962 3	Tapping screw B 3,9 X 16		8	
9	928 521 760 04	Cover Comfort seat		2	
10	928 521 760 04 01C N 013 959 3	Satin black Oval-head sheetmetal screw B 3,5 X 16		4	
10	900 143 016 02	Oval-head sheetmetal screw B 3,5 X 16		4	
11	900 025 013 07	Washer A 3,7		4	
12	900 119 030 02	Pan-head screw M 8 X 20		12	
13	900 031 001 02	Washer 8,4		16	
13	900 031 105 01	Washer 8,4		16	
14	928 521 101 05	Threaded plate Front		X	
(14)	928 521 101 08	Threaded plate Rear		X	
-	999 703 334 40	Stopper for		2	

Model: STZ Model life 1985>>1998

Pos	Part Number	Description	Remark	Qty	Model
		Seat rail support			

Model: STZ

Model life 1985>>1998



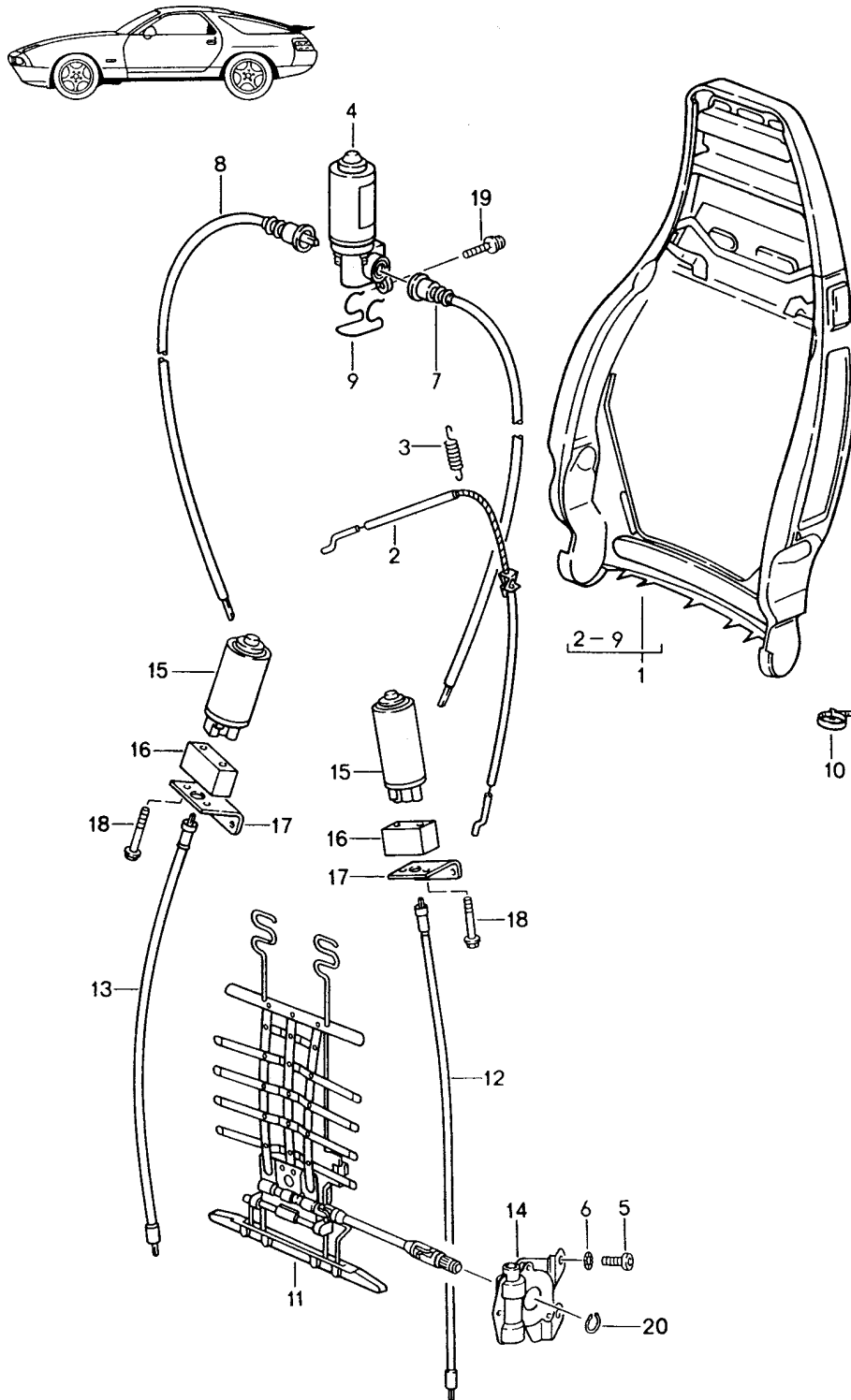
Model: STZ

Model life 1985&gt;&gt;1998

Pos	Part Number	Description	Remark	Qty	Model
		Backrest frame	85-86		928 S
1	928 521 027 10	Backrest frame		2	
2	928 521 093 02	Bowden cable		4	
3	311 881 287 A	Tension spring		4	
		Actuating lever			
(4)	928 624 126 01	Geared motor		2	
		for backrest adjustment			
5	N 014 128 4	Oval-head screw		4	
		M 5 X 8			
6	N 012 130 2	Shake-proof washer		4	
		A 5,3			
7	928 521 617 02	Shaft	/L	2	
		for backrest adjustment			
8	928 521 618 02	Shaft	/R	2	
		for backrest adjustment			
9	928 521 675 02	Moulded spring		2	
10	928 612 343 00	Connecting line		2	
		for backrest adjustment			
11	N 020 904 4	Tie-wrap		10	
		6,5 X 120			

Model: STZ

Model life 1985>>1998



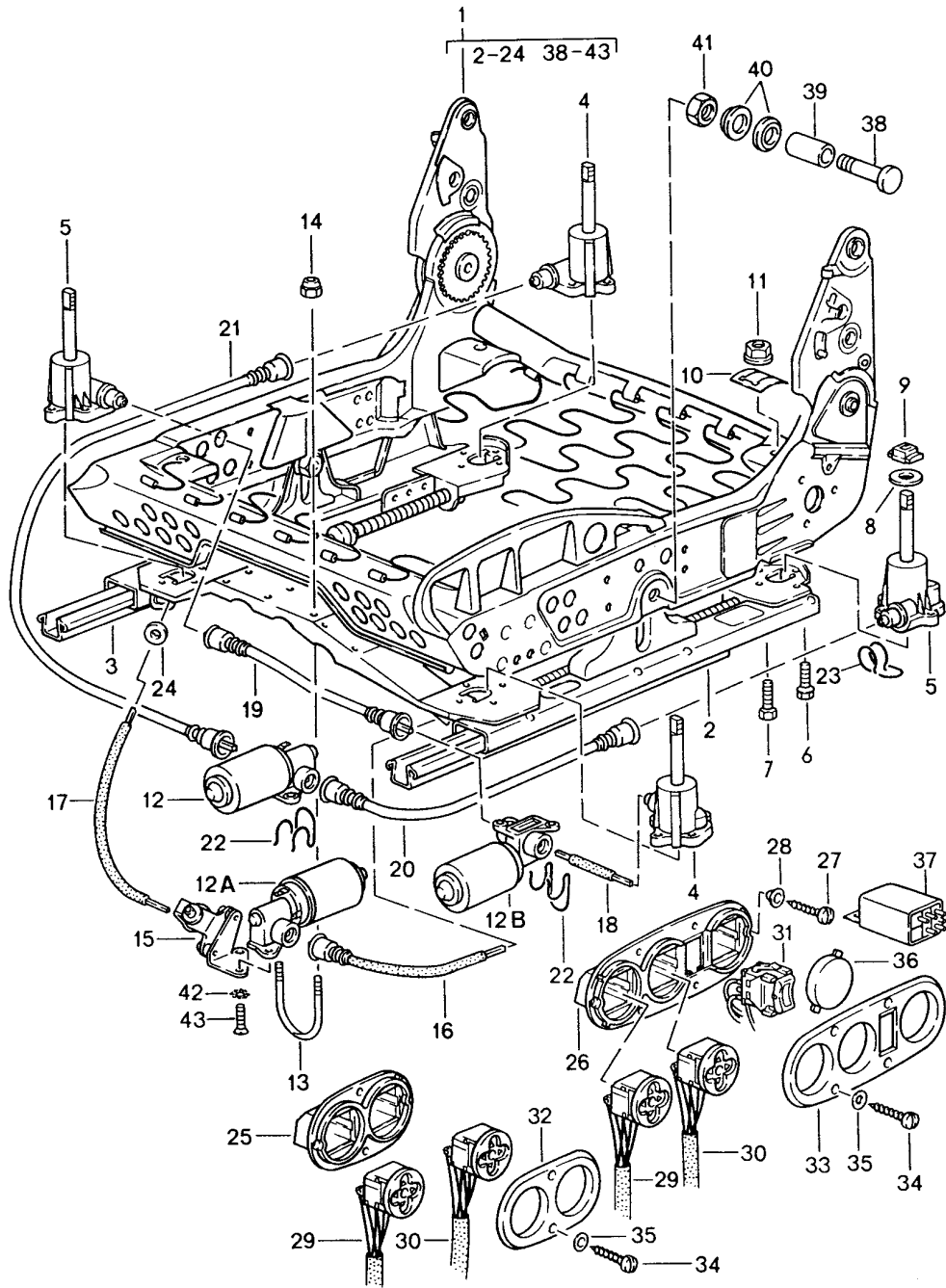
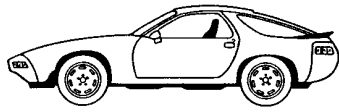
Model: STZ

Model life 1985&gt;&gt;1998

Pos	Part Number	Description	Remark	Qty	Model
		Backrest frame	87-		928 S4/GT
		Lumbar support	-95		928 GTS
1	928 521 027 10	Backrest frame		2	
2	928 521 093 02	Bowden cable		4	
3	311 881 287 A	Tension spring		4	
		Actuating lever			
4	928 624 126 01	Geared motor		2	
		for backrest adjustment			
5	N 014 128 4	Oval-head screw		4	
		M 5 X 8			
6	N 012 130 2	Shake-proof washer		4	
		A 5,3			
7	928 521 617 03	Shaft	/L	2	
		for backrest adjustment			
8	928 521 618 03	Shaft	/R	2	
		for backrest adjustment			
9	928 521 675 02	Moulded spring		2	
10	N 020 904 4	Tie-wrap		10	
		6,5 X 120			
11	928 521 135 02	Lumbar support		2	
12	928 521 315 03	Pliable shaft		2	
		Lumbar support adjustment			
		Curvature			
13	928 521 315 02	Pliable shaft		2	
		Lumbar support adjustment			
		Height			
14	928 521 153 03	Transmission		2	
15	928 624 122 02	Adjusting motor		4	
		Lumbar			
16	928 624 199 00	Spacer		4	
		Lumbar support			
17	928 624 057 00	Engine carrier		2	
		Lumbar support			
18	999 919 058 02	Hexagon-head bolt		8	
		H 5 X 40			
19	900 146 117 02	Combination screw		4	
		M 5 X 12 Z1			
20	N 012 411 1	Circlip		2	
		11 X 1			

Model: STZ

Model life 1985>>1998





Model: STZ Model life 1985>>1998

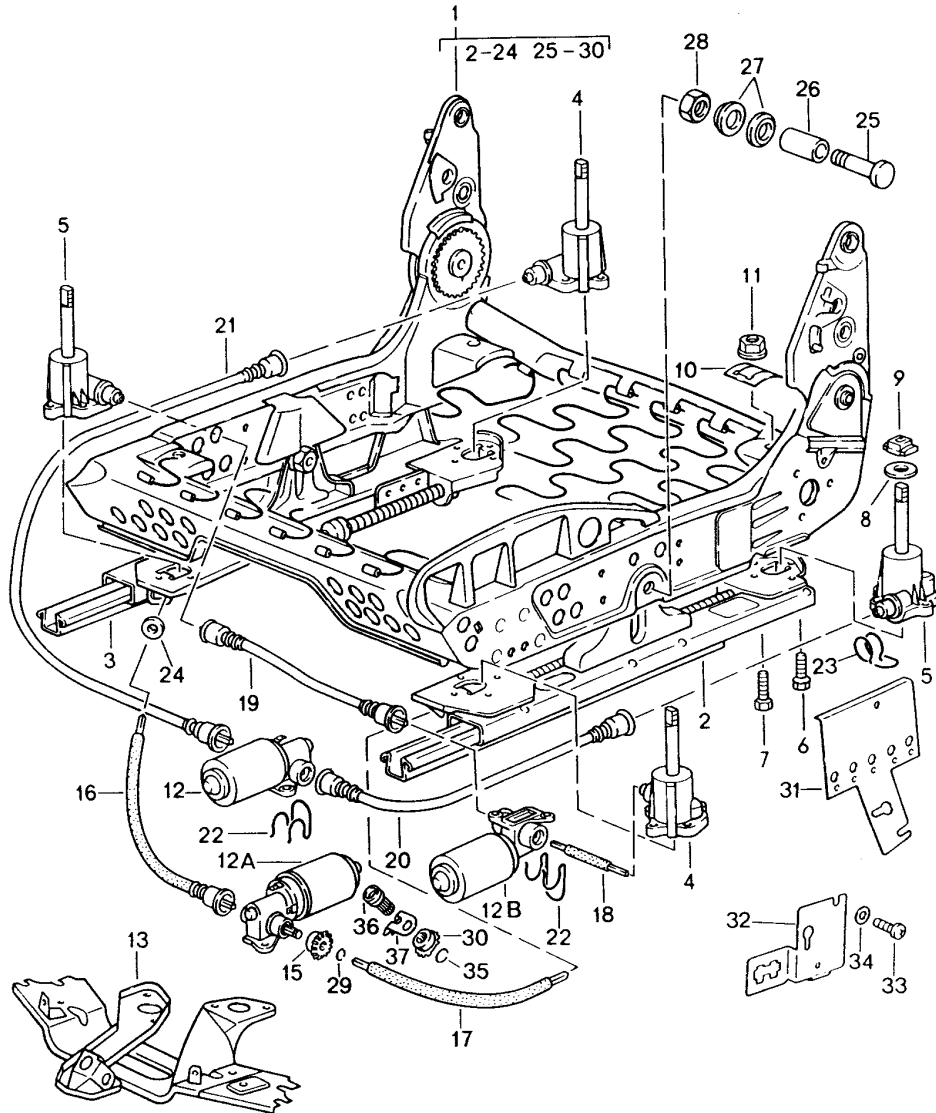
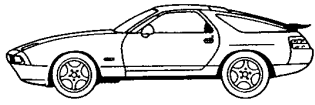
Pos	Part Number	Description	Remark	Qty	Model
		Seat frame	85-86		928 S
		Electric			M437/438
1	993 521 069 03	Seat frame	/L	1	
(1)	993 521 070 03	Comfort seat			
		Seat frame	/R	1	
		Comfort seat			
2	928 521 489 08	Seat rail		1	
		Left seat			
		Outer			
(2)	928 521 490 08	Seat rail		1	
		Right seat			
		Outer			
(3)	928 521 491 11	Seat rail		1	
		Right seat			
		Inner			
3	928 521 492 11	Seat rail		1	
		Left seat			
		Inner			
4	928 521 721 03	Lifting gear		4	
		Left front, right rear			
5	928 521 722 03	Lifting gear		4	
		Right front, left rear			
6	999 217 033 01	Locking screw		20	
		M 6 X 16			
7	900 186 032 02	Pan-head screw		8	
		M 6 X 12			
8	999 025 129 40	Washer		8	
9	928 521 727 02	Slide		8	
10	928 521 723 02	Guide spring		8	
11	928 521 730 02	Nut		8	
12	928 624 126 01	Geared motor		2	
		Rear vertical adjustment			
12A		Geared motor		2	
		for longitudinal adjustment			
12B		Geared motor		2	
		Front vertical adjustment			
13	999 222 001 02	Stirrup bolt		6	
		M 4			
14	900 910 006 02	Lock nut		12	
		M 4			
14	900 084 020 01	Lock nut		12	
		M 4			
15	928 521 145 02	Transmission		2	
		Emergency operation			
16	928 521 251 02	Shaft	/L	2	
		246 MM			
		for longitudinal adjustment			
16	928 521 251 03	Shaft	/L	2	
		265 MM			
		for longitudinal adjustment			
17	928 521 252 03	Shaft	/R	2	
		246 MM			
		for longitudinal adjustment			
17	928 521 252 04	Shaft	/R	2	
		265 MM			
		for longitudinal adjustment			
18	928 521 671 03	Shaft	/L	2	
		Front vertical adjustment			
19	928 521 672 02	Pliable shaft	/R	2	
		Front vertical adjustment			
20	928 521 673 05	Flexible shaft	/L	2	
		Rear vertical adjustment			
21	928 521 674 02	Pliable shaft	/R	2	

Model: STZ Model life 1985>>1998

Pos	Part Number	Description	Remark	Qty	Model
		Rear vertical adjustment			
22	928 521 675 02	Moulded spring		6	
23	928 521 699 00	Moulded spring		6	
24	999 591 730 00	Lock washer		6	
25	928 521 559 04	Switch insert		2	
26	928 521 559 02	Switch insert	/L	1	
		Seat heater			
(26)	928 521 560 02	Switch insert	/R	1	
		Seat heater			
27	N 013 988 1	Counters. head tapp. screw B 3,5 X 16		2	
28	999 591 849 07	Washer		2	
29	928 613 182 00	Switch for longitudinal adjustment		2	
		Front vertical adjustment			
30	928 613 183 00	Switch for backrest adjustment		2	
		Rear vertical adjustment			
31	928 613 187 01	Switch	/L	1	
		Seat heater			
(31)	928 613 188 01	Switch	/R	1	
		Seat heater			
32	928 521 561 04	Trim for switch		2	
	928 521 561 04 01C	Satin black			
33	928 521 561 03	Trim for switch		2	
		Seat heater			
	928 521 561 03 01C	Satin black			
34	N 013 959 3	Oval-head sheetmetal screw B 3,5 X 16		4	
34	900 143 016 02	Oval-head sheetmetal screw B 3,5 X 16		4	
35	900 025 013 07	Washer A 3,7		4	
36	928 613 425 00	Cover Seat heater		X	
37	928 618 521 00	Relay Seat heater		2	
38	928 521 681 02	Bolt		4	
39	928 521 685 02	Bush		4	
40	928 521 683 02	Washer		8	
41	900 034 003 02	Hexagon nut M 10		4	
42	N 012 130 2	Shake-proof washer A 5,3		4	
43	N 014 128 4	Oval-head screw M 5 X 8		4	

Model: STZ

Model life 1985>>1998



Model: STZ Model life 1985>>1998

Pos	Part Number	Description	Remark	Qty	Model
		Seat frame	87-		928 S4/GT
		Comfort seat	-95		928 GTS
		All-electric			M437/438
(1)	993 521 069 03	Seat frame	/L 94-	1	
		Comfort seat			
(1)	993 521 070 03	Seat frame	/R 94-	1	
		Comfort seat			
1	964 521 069 02	Seat frame	/L	1	
		Comfort seat			
		Seating position control			
(1)	928 521 069 18	Seat frame	/L 94-	1	
		Comfort seat			
		Seating position control			
(1)	964 521 070 02	Seat frame	/R	1	
		Comfort seat			
		Seating position control			
(1)	928 521 070 18	Seat frame	/R 94-	1	
		Comfort seat			
		Seating position control			
2	928 521 489 08	Seat rail		1	
		Left seat			
		Outer			
		All-electric			
(2)	928 521 490 08	Seat rail		1	
		Right seat			
		Outer			
		All-electric			
(3)	928 521 491 11	Seat rail		1	
		Right seat			
		Inner			
		F >>92KS8 60872			
		All-electric			
(3)	964 521 491 01	Seat rail		1	
		Right seat			
		Inner			
		F 92KS8 60873>>			
		All-electric			
3	928 521 492 11	Seat rail		1	
		Left seat			
		Inner			
		F >>92KS8 60872			
		All-electric			
3	964 521 492 01	Seat rail		1	
		Left seat			
		Inner			
		F 92KS8 60873>>			
		All-electric			
(4)	928 521 721 03	Lifting gear		4	
		Left front, right rear			
(5)	928 521 722 03	Lifting gear		4	
		Right front, left rear			
6	999 217 033 01	Locking screw		20	
		M 6 X 16			
7	900 186 032 02	Pan-head screw		8	
		M 6 X 12			
8	999 025 129 40	Washer		8	
9	928 521 727 02	Slide		8	
10	928 521 723 02	Guide spring		8	
11	928 521 730 02	Nut		8	
12	928 624 126 01	Geared motor		2	
		Rear vertical adjustment			
12A	928 624 136 00	Geared motor		2	
		for longitudinal adjustment			

Model: **STZ** Model life **1985>>1998**

Pos	Part Number	Description	Remark	Qty	Model
12B	928 624 126 01	Geared motor Front vertical adjustment		2	
13	928 521 033 03	Engine support		2	
15	928 521 818 03	Bevel pinion for emergency control		1	
16	928 521 252 04	Shaft for longitudinal adjustment Right		2	
(16)	928 521 252 05	Shaft Seating position control for longitudinal adjustment Right		2	
17	928 521 251 03	Shaft for longitudinal adjustment Left		2	
18	928 521 671 03	Shaft Front vertical adjustment Left		2	
19	928 521 672 03	Shaft Front vertical adjustment Right		2	
(19)	928 521 672 04	Shaft Seating position control Front vertical adjustment Right		2	
20	928 521 673 05	Flexible shaft Rear vertical adjustment Left		2	
(20)	928 521 673 04	Shaft Seating position control Rear vertical adjustment Left		2	
21	928 521 674 05	Flexible shaft Rear vertical adjustment Right		2	
21	928 521 674 06	Flexible shaft Rear vertical adjustment Right		2	
22	928 521 675 02	Moulded spring		6	
(22)	928 521 675 03	Moulded spring Seating position control		6	
23	928 521 699 00	Moulded spring		6	
(24)	999 591 778 02	Support		6	
25	928 521 681 02	Bolt		4	
26	928 521 685 02	Bush		4	
27	928 521 683 02	Washer		8	
28	900 034 003 02	Hexagon nut M 10		4	
29	900 906 005 01	Circlip A 8		2	
30	928 521 818 04	Bevel pinion for emergency control		1	
31	928 653 501 03	Bracket for electric seat equipment		1	
32	928 653 503 02	Bracket		1	
33	N 014 133 8	Oval-head screw M 5 X 12		2	
34	900 025 003 02	Washer A 5,3		2	
35	N 042 499 1	Circlip A 12		1	
36	928 521 816 03	Bearing pin		1	
37	928 521 686 00	Moulded spring		2	

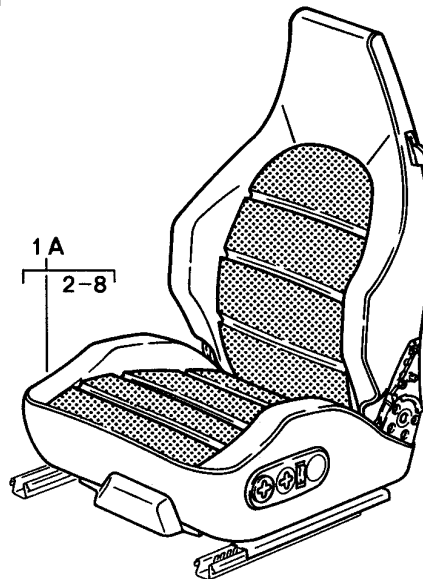
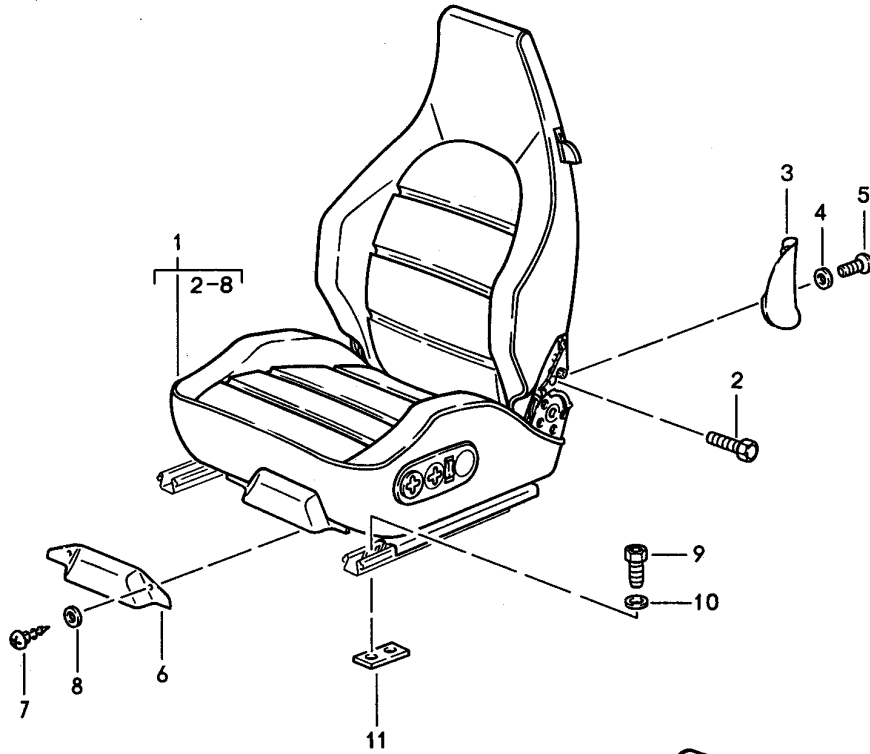
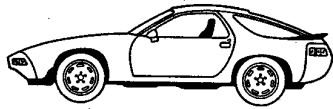
Model: STZ

Model life 1985&gt;&gt;1998

Pos	Part Number	Description	Remark	Qty	Model
-	999 591 778 02	Support Shaft for longitudinal adjustment		3	

Model: STZ

Model life 1985>>1998



Model: STZ Model life 1985>>1998

Pos	Part Number	Description	Remark	Qty	Model
		Sports seat Complete	85-86		928 S
1	928 521 005 52	Sports seat without heating Whole-leather	/L	1	M383
	928 521 005 52 KZ2	Black			
	928 521 005 52 KZ3	Blue			
	928 521 005 52 KZ5	Brown			
	928 521 005 52 LG7	Burgundy			
	928 521 005 52 QC2	Greyish green			
	928 521 005 52 LG6	Dark green			
	928 521 005 52 KZ6	Can-can-red			
	928 521 005 52 LG4	Pearl white			
	928 521 005 52 LG5	Champagne			
	928 521 005 52 PY9	Ocean blue			
	928 521 005 52 PZ1	Wild buffalo			
	928 521 005 52 KZ4	Grey-beige	86		
(1)	928 521 006 52	Sports seat without heating Whole-leather	/R	1	M387
	928 521 006 52 KZ2	Black			
	928 521 006 52 KZ3	Blue			
	928 521 006 52 KZ5	Brown			
	928 521 006 52 LG7	Burgundy			
	928 521 006 52 QC2	Greyish green			
	928 521 006 52 LG6	Dark green			
	928 521 006 52 KZ6	Can-can-red			
	928 521 006 52 LG4	Pearl white			
	928 521 006 52 LG5	Champagne			
	928 521 006 52 PY9	Ocean blue			
	928 521 006 52 PZ1	Wild buffalo			
	928 521 006 52 KZ4	Grey-beige	86		
(1)	928 521 005 55	Sports seat with heating Whole-leather	/L	1	M383
	928 521 005 55 KZ2	Black			
	928 521 005 55 KZ3	Blue			
	928 521 005 55 KZ5	Brown			
	928 521 005 55 LG7	Burgundy			
	928 521 005 55 QC2	Greyish green			
	928 521 005 55 LG6	Dark green			
	928 521 005 55 KZ6	Can-can-red			
	928 521 005 55 LG4	Pearl white			
	928 521 005 55 LG5	Champagne			
	928 521 005 55 PY9	Ocean blue			
	928 521 005 55 PZ1	Wild buffalo			
	928 521 005 55 KZ4	Grey-beige	86		
(1)	928 521 006 55	Sports seat with heating Whole-leather	/R	1	M387
	928 521 006 55 KZ2	Black			
	928 521 006 55 KZ3	Blue			
	928 521 006 55 KZ5	Brown			
	928 521 006 55 LG7	Burgundy			
	928 521 006 55 QC2	Greyish green			
	928 521 006 55 LG6	Dark green			
	928 521 006 55 KZ6	Can-can-red			
	928 521 006 55 LG4	Pearl white			
	928 521 006 55 LG5	Champagne			
	928 521 006 55 PY9	Ocean blue			
	928 521 006 55 PZ1	Wild buffalo			
	928 521 006 55 KZ4	Grey-beige	86		
1A	928 521 005 54	Sports seat	/L	1	M383



Model: STZ Model life 1985>>1998

Pos	Part Number	Description	Remark	Qty	Model
		without heating Leather/ Centre part in cloth Pin stripe velour			
	928 521 005 54 LS5	Black/ Black-white			
	928 521 005 54 LS6	Brown/ Brown-beige			
	928 521 005 54 LS8	Blue/ Blue-white			
	928 521 005 54 LS9	Burgundy/ Burgundy-white			
	928 521 005 54 QA7	Greyish green/ Greyish green-white			
	928 521 005 54 LS7	Grey-beige/ Grey-beige-white	86		
(1A)	928 521 006 54	Sports seat without heating Leather/ Centre part in cloth Pin stripe velour	/R	1	M387
	928 521 006 54 LS5	Black/ Black-white			
	928 521 006 54 LS6	Brown/ Brown-beige			
	928 521 006 54 LS8	Blue/ Blue-white			
	928 521 006 54 LS9	Burgundy/ Burgundy-white			
	928 521 006 54 QA7	Greyish green/ Greyish green-white			
	928 521 006 54 LS7	Grey-beige/ Grey-beige-white	86		
(1A)	928 521 005 56	Sports seat with heating Leather/ Centre part in cloth Pin stripe velour	/L	1	M383
	928 521 005 56 LS5	Black/ Black-white			
	928 521 005 56 LS6	Brown/ Brown-beige			
	928 521 005 56 LS8	Blue/ Blue-white			
	928 521 005 56 LS9	Burgundy/ Burgundy-white			
	928 521 005 56 QA7	Greyish green/ Greyish green-white			
	928 521 005 56 LS7	Grey-beige/ Grey-beige-white	86		
(1A)	928 521 006 56	Sports seat with heating Leather/ Centre part in cloth Pin stripe velour	/R	1	M387
	928 521 006 56 LS5	Black/ Black-white			
	928 521 006 56 LS6	Brown/ Brown-beige			
	928 521 006 56 LS8	Blue/ Blue-white			
	928 521 006 56 LS9	Burgundy/ Burgundy-white			

Model: STZ Model life 1985>>1998

Pos	Part Number	Description	Remark	Qty	Model
	928 521 006 56 QA7	Greyish green/ Greyish green-white			
	928 521 006 56 LS7	Grey-beige/ Grey-beige-white	86		
1A	928 521 005 54	Sports seat without heating Leather/ Centre part in cloth Pin stripe flannel	/L	1	M383
	928 521 005 54 QB1	Black/anthracite			
	928 521 005 54 QB3	Brown/brown			
	928 521 005 54 QB5	Blue/blue			
	928 521 005 54 QB7	Burgundy/burgundy			
	928 521 005 54 QA8	Greyish green/grey-green			
(1A)	928 521 006 54	Sports seat without heating Leather/ Centre part in cloth Pin stripe flannel	/R	1	M387
	928 521 006 54 QB1	Black/anthracite			
	928 521 006 54 QB3	Brown/brown			
	928 521 006 54 QB5	Blue/blue			
	928 521 006 54 QB7	Burgundy/burgundy			
	928 521 006 54 QA8	Greyish green/grey-green			
(1A)	928 521 005 56	Sports seat with heating Leather/ Centre part in cloth Pin stripe flannel	/L	1	M383
	928 521 005 56 QB1	Black/anthracite			
	928 521 005 56 QB3	Brown/brown			
	928 521 005 56 QB5	Blue/blue			
	928 521 005 56 QB7	Burgundy/burgundy			
	928 521 005 56 QA8	Greyish green/grey-green			
(1A)	928 521 006 56	Sports seat with heating Leather/ Centre part in cloth Pin stripe flannel	/R	1	M387
	928 521 006 56 QB1	Black/anthracite			
	928 521 006 56 QB3	Brown/brown			
	928 521 006 56 QB5	Blue/blue			
	928 521 006 56 QB7	Burgundy/burgundy			
	928 521 006 56 QA8	Greyish green/grey-green			
1A	928 521 005 54	Sports seat without heating Leather/ Centre part Porsche lettering cloth	/L	1	M383
	928 521 005 54 QB2	Black/black			
	928 521 005 54 QB4	Brown/brown			
	928 521 005 54 QB6	Blue/blue			
	928 521 005 54 QB8	Burgundy/burgundy			
	928 521 005 54 QA9	Greyish green/grey-green			
	928 521 005 54 RU1	Grey-beige/grey-beige	86		
(1A)	928 521 006 54	Sports seat without heating Leather/ Centre part Porsche lettering cloth	/R	1	M387
	928 521 006 54 QB2	Black/black			
	928 521 006 54 QB4	Brown/brown			
	928 521 006 54 QB6	Blue/blue			

Model: STZ Model life 1985>>1998

Pos	Part Number	Description	Remark	Qty	Model
(1A)	928 521 006 54 QB8	Burgundy/burgundy			
	928 521 006 54 QA9	Greyish green/grey-green			
	928 521 006 54 RU1	Grey-beige/grey-beige	86		
	928 521 005 56	Sports seat with heating Leather/ Centre part Porsche lettering cloth	/L	1	M383
	928 521 005 56 QB2	Black/black			
	928 521 005 56 QB4	Brown/brown			
	928 521 005 56 QB6	Blue/blue			
	928 521 005 56 QB8	Burgundy/burgundy			
	928 521 005 56 QA9	Greyish green/grey-green			
(1A)	928 521 005 56 RU1	Grey-beige/grey-beige	86		
	928 521 006 56	Sports seat with heating Leather/ Centre part Porsche lettering cloth	/R	1	M387
	928 521 006 56 QB2	Black/black			
	928 521 006 56 QB4	Brown/brown			
	928 521 006 56 QB6	Blue/blue			
	928 521 006 56 QB8	Burgundy/burgundy			
	928 521 006 56 QA9	Greyish green/grey-green			
	928 521 006 56 RU1	Grey-beige/grey-beige	86		
	2	911 521 547 00	Screw M 10 X 20		4
3	928 521 147 02	Cover	/L	1	
	928 521 147 02 01C	Black			
	928 521 147 02 4RB	Brown			
	928 521 147 02 5HJ	Blue			
	928 521 147 02 9MM	Burgundy			
	928 521 147 02 1DJ	Greyish green			
(3)	928 521 147 02 3UC	Grey-beige	86		
	928 521 148 02	Cover	/R	1	
	928 521 148 02 01C	Black			
	928 521 148 02 4RB	Brown			
	928 521 148 02 5HJ	Blue			
	928 521 148 02 9MM	Burgundy			
4	928 521 148 02 1DJ	Greyish green			
	928 521 148 02 3UC	Grey-beige	86		
	900 025 044 07	Washer A 4,3		4	
5	900 143 113 07	Oval-head screw B 4,2 X 13	85	4	
	900 143 113 0G	Oval-head screw B 4,2 X 13	85-	4	
(5)	N 013 962 3	Tapping screw B 3,9 X 16	86	8	
6	928 521 760 03	Cover		2	
7	N 013 959 3	Oval-head sheetmetal screw B 3,5 X 16		4	
	900 143 016 02	Oval-head sheetmetal screw B 3,5 X 16		4	
8	900 025 013 07	Washer A 3,7		4	
	900 119 030 02	Pan-head screw M 8 X 20		12	
10	900 031 001 02	Washer 8,4		16	
	900 031 105 01	Washer 8,4		16	
11	928 521 101 05	Threaded plate		X	

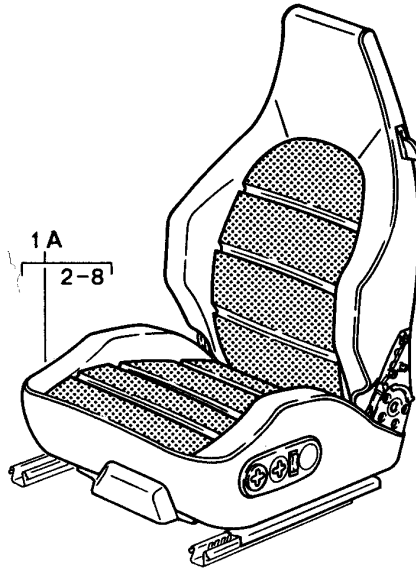
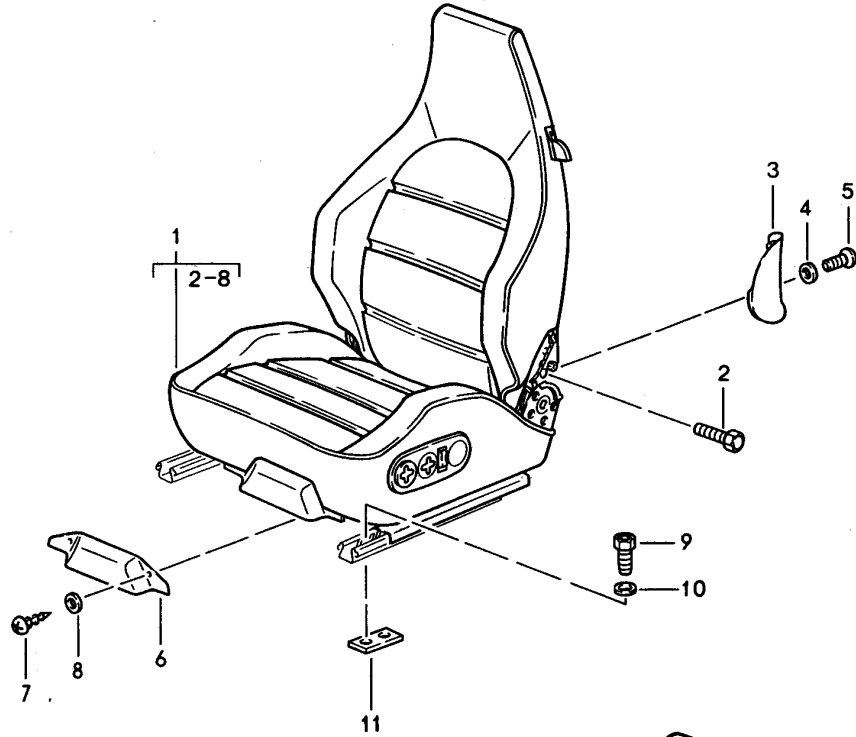
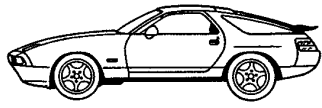
Model: STZ

Model life 1985&gt;&gt;1998

Pos	Part Number	Description	Remark	Qty	Model
(11)	928 521 101 08	Front Threaded plate Rear		X	

Model: STZ

Model life 1985>>1998



Model: STZ Model life 1985>>1998

Pos	Part Number	Description	Remark	Qty	Model
1	928 521 005 52	Sports seat Complete	87- -95	1	928 S4/GT 928 GTS M383
		Sports seat without heating	/L		
	928 521 005 52 KZ2	Black	-90		
	928 521 005 52 TV1	Mahogany	-90		
	928 521 005 52 TS1	Marine blue	-90		
	928 521 005 52 LG7	Burgundy	-90		
	928 521 005 52 QC2	Greyish green	-88		
	928 521 005 52 LG5	Champagne	-88		
	928 521 005 52 TW1	Linen	-90		
	928 521 005 52 XN4	Cashmere beige	89-90		
	928 521 005 52 XG1	Plum red	-88		
	928 521 005 52 XG2	Silver-grey	-88		
	928 521 005 52 AVY	Caramel	87-90		
	928 521 005 52 AVZ	Venetian blue	87-90		
	928 521 005 52 AVW	Silk grey	89-90		
	928 521 005 52 AVV	Velvet red	89-90		
	928 521 005 52 AVX	Slate grey	89-90		
	928 521 005 52 ATH	Black	91-		
	928 521 005 52 APL	Classic grey	91-		
	928 521 005 52 ARL	Cobalt blue	91-93		
	928 521 005 52 ASL	Magenta	91-93		
	928 521 005 52 AQL	Light grey	91-93		
	928 521 005 52 ATY	Cashmere beige	91-		
	928 521 005 52 BQB	Marine blue	91-93		
	928 521 005 52 AVF	Matador red	91-93		
	928 521 005 52 AVG	Carrara grey	91-		
	928 521 005 52 AVH	Sherwood green	91-		
	928 521 005 52 DBD	Midnight blue	94-		
	928 521 005 52 DCD	Chestnut brown	94-		
	928 521 005 52 DDD	Marble grey	94-		
	928 521 005 52 DEC	Provence blue	94-		
	928 521 005 52 DEE	Cedar green	94-		
	928 521 005 52 DEF	Flamenco red	94-		
(1)	928 521 006 52	Sports seat without heating	/R	1	M387
		Whole-leather			
	928 521 006 52 KZ2	Black	-90		
	928 521 006 52 TV1	Mahogany	-90		
	928 521 006 52 TS1	Marine blue	-90		
	928 521 006 52 LG7	Burgundy	-90		
	928 521 006 52 QC2	Greyish green	-88		
	928 521 006 52 LG5	Champagne	-88		
	928 521 006 52 TW1	Linen	-90		
	928 521 006 52 XN4	Cashmere beige	89-90		
	928 521 006 52 XG1	Plum red	-88		
	928 521 006 52 XG2	Silver-grey	-88		
	928 521 006 52 AVY	Caramel	87-90		
	928 521 006 52 AVZ	Venetian blue	87-90		
	928 521 006 52 AVW	Silk grey	89-90		
	928 521 006 52 AVV	Velvet red	89-90		
	928 521 006 52 AVX	Slate grey	89-90		
	928 521 006 52 ATH	Black	91-		
	928 521 006 52 APL	Classic grey	91-		
	928 521 006 52 ARL	Cobalt blue	91-93		
	928 521 006 52 ASL	Magenta	91-93		
	928 521 006 52 AQL	Light grey	91-93		
	928 521 006 52 ATY	Cashmere beige	91-		
	928 521 006 52 BQB	Marine blue	91-93		
	928 521 006 52 AVF	Matador red	91-93		
	928 521 006 52 AVG	Carrara grey	91-		

Model: STZ Model life 1985>>1998

Pos	Part Number	Description	Remark	Qty	Model
	928 521 006 52 AVH	Sherwood green	91-		
	928 521 006 52 DBD	Midnight blue	94-		
	928 521 006 52 DCD	Chestnut brown	94-		
	928 521 006 52 DDD	Marble grey	94-		
	928 521 006 52 DEC	Provence blue	94-		
	928 521 006 52 DEE	Cedar green	94-		
	928 521 006 52 DEF	Flamenco red	94-		
(1)	928 521 005 55	Sports seat with heating Whole-leather	/L	1	M383
	928 521 005 55 KZ2	Black	-90		
	928 521 005 55 TV1	Mahogany	-90		
	928 521 005 55 TS1	Marine blue	-90		
	928 521 005 55 LG7	Burgundy	-90		
	928 521 005 55 QC2	Greyish green	-88		
	928 521 005 55 LG5	Champagne	-88		
	928 521 005 55 TW1	Linen	-90		
	928 521 005 55 XN4	Cashmere beige	89-90		
	928 521 005 55 XG1	Plum red	-88		
	928 521 005 55 XG2	Silver-grey	-88		
	928 521 005 55 AVY	Caramel	87-90		
	928 521 005 55 AVZ	Venetian blue	87-90		
	928 521 005 55 AVW	Silk grey	89-90		
	928 521 005 55 AVV	Velvet red	89-90		
	928 521 005 55 AVX	Slate grey	89-90		
	928 521 005 55 ATH	Black	91-		
	928 521 005 55 APL	Classic grey	91-		
	928 521 005 55 ARL	Cobalt blue	91-93		
	928 521 005 55 ASL	Magenta	91-93		
	928 521 005 55 AQL	Light grey	91-93		
	928 521 005 55 ATY	Cashmere beige	91-		
	928 521 005 55 BQB	Marine blue	91-93		
	928 521 005 55 AVF	Matador red	91-93		
	928 521 005 55 AVG	Carrara grey	91-		
	928 521 005 55 AVH	Sherwood green	91-		
	928 521 005 55 DBD	Midnight blue	94-		
	928 521 005 55 DCD	Chestnut brown	94-		
	928 521 005 55 DDD	Marble grey	94-		
	928 521 005 55 DEC	Provence blue	94-		
	928 521 005 55 DEE	Cedar green	94-		
	928 521 005 55 DEF	Flamenco red	94-		
(1)	928 521 006 55	Sports seat with heating Whole-leather	/R	1	M387
	928 521 006 55 KZ2	Black	-90		
	928 521 006 55 TV1	Mahogany	-90		
	928 521 006 55 TS1	Marine blue	-90		
	928 521 006 55 LG7	Burgundy	-90		
	928 521 006 55 QC2	Greyish green	-88		
	928 521 006 55 LG5	Champagne	-88		
	928 521 006 55 TW1	Linen	-90		
	928 521 006 55 XN4	Cashmere beige	89-90		
	928 521 006 55 XG1	Plum red	-88		
	928 521 006 55 XG2	Silver-grey	-88		
	928 521 006 55 AVY	Caramel	87-90		
	928 521 006 55 AVZ	Venetian blue	87-90		
	928 521 006 55 AVW	Silk grey	89-90		
	928 521 006 55 AVV	Velvet red	89-90		
	928 521 006 55 AVX	Slate grey	89-90		
	928 521 006 55 ATH	Black	91-		
	928 521 006 55 APL	Classic grey	91-		
	928 521 006 55 ARL	Cobalt blue	91-93		
	928 521 006 55 ASL	Magenta	91-93		

Model: STZ Model life 1985>>1998

Pos	Part Number	Description	Remark	Qty	Model
	928 521 006 55 AQL	Light grey	91-93		
	928 521 006 55 ATY	Cashmere beige	91-		
	928 521 006 55 BQB	Marine blue	91-93		
	928 521 006 55 AVF	Matador red	91-93		
	928 521 006 55 AVG	Carrara grey	91-		
	928 521 006 55 AVH	Sherwood green	91-		
	928 521 006 55 DBD	Midnight blue	94-		
	928 521 006 55 DCD	Chestnut brown	94-		
	928 521 006 55 DDD	Marble grey	94-		
	928 521 006 55 DEC	Provence blue	94-		
	928 521 006 55 DEE	Cedar green	94-		
	928 521 006 55 DEF	Flamenco red	94-		
1A	928 521 005 54	Sports seat without heating Leather/ Centre part in cloth Pin stripe velour	/L	1	M383
	928 521 005 54 LS5	Black/ Black-white	-90		
	928 521 005 54 TU1	Mahogany/ Mahogany-white	-90		
	928 521 005 54 TR1	Blue/ Blue-white	-90		
	928 521 005 54 LS9	Burgundy/ Burgundy-white	-90		
	928 521 005 54 QA7	Greyish green/ Greyish green-white	-88		
	928 521 005 54 XF5	Linen/ Linen white	89-90		
	928 521 005 54 XF8	Cashmere beige/ Cashmere beige-white	89-90		
(1A)	928 521 006 54	Sports seat without heating Leather/ Centre part in cloth Pin stripe velour	/R	1	M387
	928 521 006 54 LS5	Black/ Black-white	-90		
	928 521 006 54 TU1	Mahogany/ Mahogany-white	-90		
	928 521 006 54 TR1	Blue/ Blue-white	-90		
	928 521 006 54 LS9	Burgundy/ Burgundy-white	-90		
	928 521 006 54 QA7	Greyish green/ Greyish green-white	-88		
	928 521 006 54 XF5	Linen/ Linen white	89-90		
	928 521 006 54 XF8	Cashmere beige/ Cashmere beige-white	89-90		
(1A)	928 521 005 56	Sports seat with heating Leather/ Centre part in cloth Pin stripe velour	/L	1	M383
	928 521 005 56 LS5	Black/ Black-white	-90		
	928 521 005 56 TU1	Mahogany/ Mahogany-white	-90		
	928 521 005 56 TR1	Blue/ Blue-white	-90		
	928 521 005 56 LS9	Burgundy/ Burgundy-white	-90		



Model: STZ Model life 1985>>1998

Pos	Part Number	Description	Remark	Qty	Model
	928 521 005 56 QA7	Greyish green/ Greyish green-white	-88		
	928 521 005 56 XF5	Linen/ Linen white	89-90		
	928 521 005 56 XF8	Cashmere beige/ Cashmere beige-white	89-90		
(1A)	928 521 006 56	Sports seat with heating Leather/ Centre part in cloth Pin stripe velour	/R	1	M387
	928 521 006 56 LS5	Black/ Black-white	-90		
	928 521 006 56 TU1	Mahogany/ Mahogany-white	-90		
	928 521 006 56 TR1	Blue/ Blue-white	-90		
	928 521 006 56 LS9	Burgundy/ Burgundy-white	-90		
	928 521 006 56 QA7	Greyish green/ Greyish green-white	-88		
	928 521 006 56 XF5	Linen/ Linen white	89-90		
	928 521 006 56 XF8	Cashmere beige/ Cashmere beige-white	89-90		
1A	928 521 001 01	Front seat without heating Leather/ Centre part in cloth Pin stripe velour	/L	1	M637/639
	928 521 001 01 LS5	Black/ Black-white			
	928 521 001 01 TU1	Mahogany/ Mahogany-white			
	928 521 001 01 TR1	Blue/ Blue-white			
	928 521 001 01 LS9	Burgundy/ Burgundy-white			
	928 521 001 01 QA7	Greyish green/ Greyish green-white	-88		
	928 521 001 01 XF5	Linen/ Linen white			
	928 521 001 01 XF8	Cashmere beige/ Cashmere beige-white			
(1A)	928 521 002 01	Front seat without heating Leather/ Centre part in cloth Pin stripe velour	/R	1	M637/639
	928 521 002 01 LS5	Black/ Black-white			
	928 521 002 01 TU1	Mahogany/ Mahogany-white			
	928 521 002 01 TR1	Blue/ Blue-white			
	928 521 002 01 LS9	Burgundy/ Burgundy-white			
	928 521 002 01 QA7	Greyish green/ Greyish green-white	-88		
	928 521 002 01 XF5	Linen/ Linen white			
	928 521 002 01 XF8	Cashmere beige/ Cashmere beige-white			

Model: STZ Model life 1985>>1998

Pos	Part Number	Description	Remark	Qty	Model
1A	928 521 005 54	Sports seat without heating Leather/ Centre part in cloth Multicolour	/L  89-	1	M383
	928 521 005 54 XG6	Black/black	-90		
	928 521 005 54 XG7	Mahogany/mahogany	-90		
	928 521 005 54 XG8	Marine blue/marine blue	-90		
	928 521 005 54 XG9	Burgundy/burgundy	-90		
	928 521 005 54 XF7	Linen/linen	-90		
	928 521 005 54 XG5	Cashmere beige/cash. beige	-90		
	928 521 005 54 ATJ	Black/black	91-		
	928 521 005 54 AQT	Classic grey/classic grey	91-		
	928 521 005 54 AQU	Cobalt blue/cobalt blue	91-		
	928 521 005 54 ASJ	Magenta/Magenta	91-		
	928 521 005 54 AQJ	Light grey/light grey	91-		
	928 521 005 54 ATW	Cashmere beige/cash. beige	91-		
	928 521 005 54 BQJ	Marine blue/marine blue	91-		
(1A)	928 521 006 54	Sports seat without heating Leather/ Centre part in cloth Multicolour	/R  89-	1	M387
	928 521 006 54 XG6	Black/black	-90		
	928 521 006 54 XG7	Mahogany/mahogany	-90		
	928 521 006 54 XG8	Marine blue/marine blue	-90		
	928 521 006 54 XG9	Burgundy/burgundy	-90		
	928 521 006 54 XF7	Linen/linen	-90		
	928 521 006 54 XG5	Cashmere beige/cash. beige	-90		
	928 521 006 54 ATJ	Black/black	91-		
	928 521 006 54 AQT	Classic grey/classic grey	91-		
	928 521 006 54 AQU	Cobalt blue/cobalt blue	91-		
	928 521 006 54 ASJ	Magenta/Magenta	91-		
	928 521 006 54 AQJ	Light grey/light grey	91-		
	928 521 006 54 ATW	Cashmere beige/cash. beige	91-		
	928 521 006 54 BQJ	Marine blue/marine blue	91-		
(1A)	928 521 005 56	Sports seat with heating Leather/ Centre part in cloth Multicolour	/L  89-	1	M383
	928 521 005 56 XG6	Black/black	-90		
	928 521 005 56 XG7	Mahogany/mahogany	-90		
	928 521 005 56 XG8	Marine blue/marine blue	-90		
	928 521 005 56 XG9	Burgundy/burgundy	-90		
	928 521 005 56 XF7	Linen/linen	-90		
	928 521 005 56 XG5	Cashmere beige/cash. beige	-90		
	928 521 005 56 ATJ	Black/black	91-		
	928 521 005 56 AQT	Classic grey/classic grey	91-		
	928 521 005 56 AQU	Cobalt blue/cobalt blue	91-		
	928 521 005 56 ASJ	Magenta/Magenta	91-		
	928 521 005 56 AQJ	Light grey/light grey	91-		
	928 521 005 56 ATW	Cashmere beige/cash. beige	91-		
	928 521 005 56 BQJ	Marine blue/marine blue	91-		
(1A)	928 521 006 56	Sports seat with heating Leather/ Centre part in cloth Multicolour	/R  89-	1	M387
	928 521 006 56 XG6	Black/black	-90		
	928 521 006 56 XG7	Mahogany/mahogany	-90		
	928 521 006 56 XG8	Marine blue/marine blue	-90		
	928 521 006 56 XG9	Burgundy/burgundy	-90		

Model: STZ Model life 1985>>1998

Pos	Part Number	Description	Remark	Qty	Model
	928 521 006 56 XF7	Linen/linen	-90		
	928 521 006 56 XG5	Cashmere beige/cash. beige	-90		
	928 521 006 56 ATJ	Black/black	91-		
	928 521 006 56 AQT	Classic grey/classic grey	91-		
	928 521 006 56 AQU	Cobalt blue/cobalt blue	91-		
	928 521 006 56 ASJ	Magenta/Magenta	91-		
	928 521 006 56 AQJ	Light grey/light grey	91-		
	928 521 006 56 ATW	Cashmere beige/cash. beige	91-		
	928 521 006 56 BQJ	Marine blue/marine blue	91-		
1A	928 521 001 01	Front seat without heating Leather/ Centre part in cloth Multicolour	/L   89-	1	M637/639
	928 521 001 01 XG6	Black/black			
	928 521 001 01 XG7	Mahogany/mahogany			
	928 521 001 01 XG8	Marine blue/marine blue			
	928 521 001 01 XG9	Burgundy/burgundy			
	928 521 001 01 XF7	Linen/linen			
	928 521 001 01 XG5	Cashmere beige/cash. beige			
	928 521 001 01 ATJ	Black/black	91-		
	928 521 001 01 AQT	Classic grey/classic grey	91-		
	928 521 001 01 AQU	Cobalt blue/cobalt blue	91-		
	928 521 001 01 ASJ	Magenta/Magenta	91-		
	928 521 001 01 AQJ	Light grey/light grey	91-		
	928 521 001 01 ATW	Cashmere beige/cash. beige	91-		
	928 521 001 01 BQJ	Marine blue/marine blue	91-		
(1A)	928 521 002 01	Front seat without heating Leather/ Centre part in cloth Multicolour	/R   89-	1	M637/639
	928 521 002 01 XG6	Black/black			
	928 521 002 01 XG7	Mahogany/mahogany			
	928 521 002 01 XG8	Marine blue/marine blue			
	928 521 002 01 XG9	Burgundy/burgundy			
	928 521 002 01 XF7	Linen/linen			
	928 521 002 01 XG5	Cashmere beige/cash. beige			
	928 521 002 01 ATJ	Black/black	91-		
	928 521 002 01 AQT	Classic grey/classic grey	91-		
	928 521 002 01 AQU	Cobalt blue/cobalt blue	91-		
	928 521 002 01 ASJ	Magenta/Magenta	91-		
	928 521 002 01 AQJ	Light grey/light grey	91-		
	928 521 002 01 ATW	Cashmere beige/cash. beige	91-		
	928 521 002 01 BQJ	Marine blue/marine blue	91-		
1A	928 521 005 54	Sports seat without heating Leather/ Centre part in cloth Pin stripe flannel	/L   -88	1	M383
	928 521 005 54 QB1	Black/anthracite			
	928 521 005 54 TU2	Mahogany/mahogany			
	928 521 005 54 TR2	Marine blue/blue			
	928 521 005 54 QB7	Burgundy/burgundy			
	928 521 005 54 QA8	Greyish green/grey-green			
(1A)	928 521 006 54	Sports seat without heating Leather/ Centre part in cloth Pin stripe flannel	/R   -88	1	M387
	928 521 006 54 QB1	Black/anthracite			
	928 521 006 54 TU2	Mahogany/mahogany			
	928 521 006 54 TR2	Marine blue/blue			

Model: STZ Model life 1985>>1998

Pos	Part Number	Description	Remark	Qty	Model
(1A)	928 521 006 54 QB7	Burgundy/burgundy		1	M383
	928 521 006 54 QA8	Greyish green/grey-green			
	928 521 005 56	Sports seat with heating Leather/ Centre part in cloth Pin stripe flannel	/L  -88		
	928 521 005 56 QB1	Black/anthracite			
	928 521 005 56 TU2	Mahogany/mahogany			
(1A)	928 521 005 56 TR2	Marine blue/blue		1	M387
	928 521 005 56 QB7	Burgundy/burgundy			
	928 521 005 56 QA8	Greyish green/grey-green			
	928 521 006 56	Sports seat with heating Leather/ Centre part in cloth Pin stripe flannel	/R  -88		
	928 521 006 56 QB1	Black/anthracite			
1A	928 521 006 56 TU2	Mahogany/mahogany		1	M637/639
	928 521 006 56 TR2	Marine blue/blue			
	928 521 006 56 QB7	Burgundy/burgundy			
	928 521 006 56 QA8	Greyish green/grey-green			
	928 521 001 01	Front seat without heating Leather/ Centre part in cloth Pin stripe flannel	/L -89  -88		
(1A)	928 521 001 01 QB1	Black/anthracite		1	M637/639
	928 521 001 01 TU2	Mahogany/mahogany			
	928 521 001 01 TR2	Marine blue/blue			
	928 521 001 01 QB7	Burgundy/burgundy			
	928 521 001 01 QA8	Greyish green/grey-green			
1A	928 521 002 01	Front seat without heating Leather/ Centre part in cloth Pin stripe flannel	/R -89  -88	1	M383
	928 521 002 01 QB1	Black/anthracite			
	928 521 002 01 TU2	Mahogany/mahogany			
	928 521 002 01 TR2	Marine blue/blue			
	928 521 002 01 QB7	Burgundy/burgundy			
1A	928 521 002 01 QA8	Greyish green/grey-green		1	M383
	928 521 005 54	Sports seat without heating Leather/ Centre part Porsche lettering cloth	/L  -90		
	928 521 005 54 QB2	Black/black	-90		
	928 521 005 54 TU3	Mahogany/mahogany	-90		
	928 521 005 54 TR3	Marine blue/blue	-90		
	928 521 005 54 QB8	Burgundy/burgundy	-90		
	928 521 005 54 XF6	Linen/linen	89-90		
	928 521 005 54 XF9	Cashmere beige/cash. beige	89-90		
	928 521 005 54 QA9	Greyish green/grey-green	-88		
	928 521 005 54 ATD	Black/black	91-		
	928 521 005 54 APG	Classic grey/classic grey	91-		
	928 521 005 54 ARG	Cobalt blue/cobalt blue	91-		
	928 521 005 54 ASG	Magenta/Magenta	91-		
	928 521 005 54 AQG	Light grey/light grey	91-		
	928 521 005 54 ATU	Cashmere beige/cash. beige	91-		
	928 521 005 54 BQL	Marine blue/blue	91-		
	928 521 005 54 DBB	Midnight bl./midnight blue	94-		
	928 521 005 54 DCB	Chestnut brown/	94-		

Model: STZ Model life 1985>>1998

Pos	Part Number	Description	Remark	Qty	Model
(1A)	928 521 005 54 DDB	Chestnut brown	94-	1	M387
	928 521 006 54	Marble grey/marble grey	/R		
		Sports seat			
		without heating			
		Leather/			
		Centre part			
		Porsche lettering cloth			
	928 521 006 54 QB2	Black/black	-90		
	928 521 006 54 TU3	Mahogany/mahogany	-90		
	928 521 006 54 TR3	Marine blue/blue	-90		
	928 521 006 54 QB8	Burgundy/burgundy	-90		
	928 521 006 54 XF6	Linen/linen	89-90		
	928 521 006 54 XF9	Cashmere beige/cash. beige	89-90		
	928 521 006 54 QA9	Greyish green/grey-green	-88		
	928 521 006 54 ATD	Black/black	91-		
	928 521 006 54 APG	Classic grey/classic grey	91-		
	928 521 006 54 ARG	Cobalt blue/cobalt blue	91-		
	928 521 006 54 ASG	Magenta/Magenta	91-		
	928 521 006 54 AQG	Light grey/light grey	91-		
	928 521 006 54 ATU	Cashmere beige/cash. beige	91-		
928 521 006 54 BQL	Marine blue/blue	91-			
928 521 006 54 DBB	Midnight bl./midnight blue	94-			
928 521 006 54 DCB	Chestnut brown/ Chestnut brown	94-			
(1A)	928 521 006 54 DDB	Marble grey/marble grey	94-	1	M383
	928 521 005 56	Sports seat	/L		
		with heating			
		Leather/			
		Centre part			
		Porsche lettering cloth			
	928 521 005 56 QB2	Black/black	-90		
	928 521 005 56 TU3	Mahogany/mahogany	-90		
	928 521 005 56 TR3	Marine blue/blue	-90		
	928 521 005 56 QB8	Burgundy/burgundy	-90		
	928 521 005 56 XF6	Linen/linen	89-90		
	928 521 005 56 XF9	Cashmere beige/cash. beige	89-90		
	928 521 005 56 QA9	Greyish green/grey-green	-88		
	928 521 005 56 ATD	Black/black	91-		
	928 521 005 56 APG	Classic grey/classic grey	91-		
	928 521 005 56 ARG	Cobalt blue/cobalt blue	91-		
	928 521 005 56 ASG	Magenta/Magenta	91-		
	928 521 005 56 AQG	Light grey/light grey	91-		
	928 521 005 56 ATU	Cashmere beige/cash. beige	91-		
	928 521 005 56 BQL	Marine blue/blue	91-		
928 521 005 56 DBB	Midnight bl./midnight blue	94-			
928 521 005 56 DCB	Chestnut brown/ Chestnut brown	94-			
(1A)	928 521 005 56 DDB	Marble grey/marble grey	94-	1	M387
	928 521 006 56	Sports seat	/R		
		with heating			
		Leather/			
		Centre part			
		Porsche lettering cloth			
	928 521 006 56 QB2	Black/black	-90		
	928 521 006 56 TU3	Mahogany/mahogany	-90		
	928 521 006 56 TR3	Marine blue/blue	-90		
	928 521 006 56 QB8	Burgundy/burgundy	-90		
	928 521 006 56 XF6	Linen/linen	89-90		
	928 521 006 56 XF9	Cashmere beige/cash. beige	89-90		
	928 521 006 56 QA9	Greyish green/grey-green	-88		
	928 521 006 56 ATD	Black/black	91-		
	928 521 006 56 APG	Classic grey/classic grey	91-		
	928 521 006 56 ARG	Cobalt blue/cobalt blue	91-		

Model: STZ Model life 1985>>1998

Pos	Part Number	Description	Remark	Qty	Model
	928 521 006 56 ASG	Magenta/Magenta	91-		
	928 521 006 56 AQQ	Light grey/light grey	91-		
	928 521 006 56 ATU	Cashmere beige/cash. beige	91-		
	928 521 006 56 BQL	Marine blue/blue	91-		
	928 521 006 56 DBB	Midnight bl./midnight blue	94-		
	928 521 006 56 DCB	Chestnut brown/ Chestnut brown	94-		
1A	928 521 006 56 DDB	Marble grey/marble grey	94-		
	928 521 001 01	Front seat without heating Leather/ Centre part Porsche lettering cloth	/L	1	M637/639
	928 521 001 01 QB2	Black/black			
	928 521 001 01 TU3	Mahogany/mahogany			
	928 521 001 01 TR3	Marine blue/blue			
	928 521 001 01 QB8	Burgundy/burgundy			
	928 521 001 01 XF6	Linen/linen			
	928 521 001 01 XF9	Cashmere beige/cash. beige			
	928 521 001 01 QA9	Greyish green/grey-green	-88		
	928 521 001 01 ATD	Black/black	91-		
	928 521 001 01 APG	Classic grey/classic grey	91-		
	928 521 001 01 ARG	Cobalt blue/cobalt blue	91-		
	928 521 001 01 ASG	Magenta/Magenta	91-		
	928 521 001 01 AQQ	Light grey/light grey	91-		
	928 521 001 01 ATU	Cashmere beige/cash. beige	91-		
	928 521 001 01 BQL	Marine blue/blue	91-		
	928 521 001 01 DBB	Midnight bl./midnight blue	94-		
	928 521 001 01 DCB	Chestnut brown/ Chestnut brown	94-		
(1A)	928 521 001 01 DDB	Marble grey/marble grey	94-		
	928 521 002 01	Front seat without heating Leather/ Centre part Porsche lettering cloth	/R	1	M637/639
	928 521 002 01 QB2	Black/black			
	928 521 002 01 TU3	Mahogany/mahogany			
	928 521 002 01 TR3	Marine blue/blue			
	928 521 002 01 QB8	Burgundy/burgundy			
	928 521 002 01 XF6	Linen/linen			
	928 521 002 01 XF9	Cashmere beige/cash. beige			
	928 521 002 01 QA9	Greyish green/grey-green	-88		
	928 521 002 01 ATD	Black/black	91-		
	928 521 002 01 APG	Classic grey/classic grey	91-		
	928 521 002 01 ARG	Cobalt blue/cobalt blue	91-		
	928 521 002 01 ASG	Magenta/Magenta	91-		
	928 521 002 01 AQQ	Light grey/light grey	91-		
	928 521 002 01 ATU	Cashmere beige/cash. beige	91-		
	928 521 002 01 BQL	Marine blue/blue	91-		
	928 521 002 01 DBB	Midnight bl./midnight blue	94-		
	928 521 002 01 DCB	Chestnut brown/ Chestnut brown	94-		
	928 521 002 01 DDB	Marble grey/marble grey	94-		
2	911 521 547 00	Screw M 10 X 20		4	
3	928 521 147 02	Cover	/L	1	
	928 521 147 02 01C	Black			
	928 521 147 02 4MJ	Mahogany	-90		
	928 521 147 02 9JJ	Marine blue			
	928 521 147 02 9MM	Burgundy	-90		
	928 521 147 02 7XJ	Linen	-90		
	928 521 147 02 3UD	Cashmere beige	89-		

Model: STZ Model life 1985>>1998

Pos	Part Number	Description	Remark	Qty	Model
	928 521 147 02 1DJ	Greyish green	-88		
	928 521 147 02 4XC	Classic grey	91-		
	928 521 147 02 6ZF	Cobalt blue	91-93		
	928 521 147 02 6WX	Magenta	91-93		
	928 521 147 02 9ZN	Light grey	91-93		
	928 521 147 02 2GS	Midnight blue	94-		
	928 521 147 02 4PV	Chestnut brown	94-		
	928 521 147 02 3BE	Marble grey	94-		
(3)	928 521 148 02	Cover	/R	1	
	928 521 148 02 01C	Black			
	928 521 148 02 4MJ	Mahogany	-90		
	928 521 148 02 9JJ	Marine blue			
	928 521 148 02 9MM	Burgundy	-90		
	928 521 148 02 7XJ	Linen	-90		
	928 521 148 02 3UD	Cashmere beige	89-		
	928 521 148 02 1DJ	Greyish green	-88		
	928 521 148 02 4XC	Classic grey	91-		
	928 521 148 02 6ZF	Cobalt blue	91-93		
	928 521 148 02 6WX	Magenta	91-93		
	928 521 148 02 9ZN	Light grey	91-93		
	928 521 148 02 2GS	Midnight blue	94-		
	928 521 148 02 4PV	Chestnut brown	94-		
	928 521 148 02 3BE	Marble grey	94-		
(3)	928 521 067 00	Cover	/L 90-	1	
		Leather			
		for			
		Special leather			
		Seat			
		See TPI			
		GR. 8 NR.37			
	928 521 067 00 4MT	Velvet red	-90		
	928 521 067 00 5VT	Silk grey	-90		
	928 521 067 00 2WT	Slate grey	-90		
	928 521 067 00 4UC	Caramel	-90		
	928 521 067 00 7KC	Venetian blue	-90		
	928 521 067 00 M05	Matador red	91-		
	928 521 067 00 D35	Carrara grey	91-		
	928 521 067 00 J25	Sherwood green	91-		
	928 521 067 00 G43	Provence blue	94-		
	928 521 067 00 K03	Cedar green	94-		
	928 521 067 00 8SE	Flamenco red	94-		
(3)	928 521 068 00	Cover	/R 90-	1	
		Leather			
		for			
		Special leather			
		Seat			
		See TPI			
		GR. 8 NR.37			
	928 521 068 00 4MT	Velvet red	-90		
	928 521 068 00 5VT	Silk grey	-90		
	928 521 068 00 2WT	Slate grey	-90		
	928 521 068 00 4UC	Caramel	-90		
	928 521 068 00 7KC	Venetian blue	-90		
	928 521 068 00 M05	Matador red	91-		
	928 521 068 00 D35	Carrara grey	91-		
	928 521 068 00 J25	Sherwood green	91-		
	928 521 068 00 G43	Provence blue	94-		
	928 521 068 00 K03	Cedar green	94-		
	928 521 068 00 8SE	Flamenco red	94-		
4	900 025 044 07	Washer		8	
		A 4,3			
5	N 013 962 3	Tapping screw		8	
		B 3,9 X 16			

Model: STZ

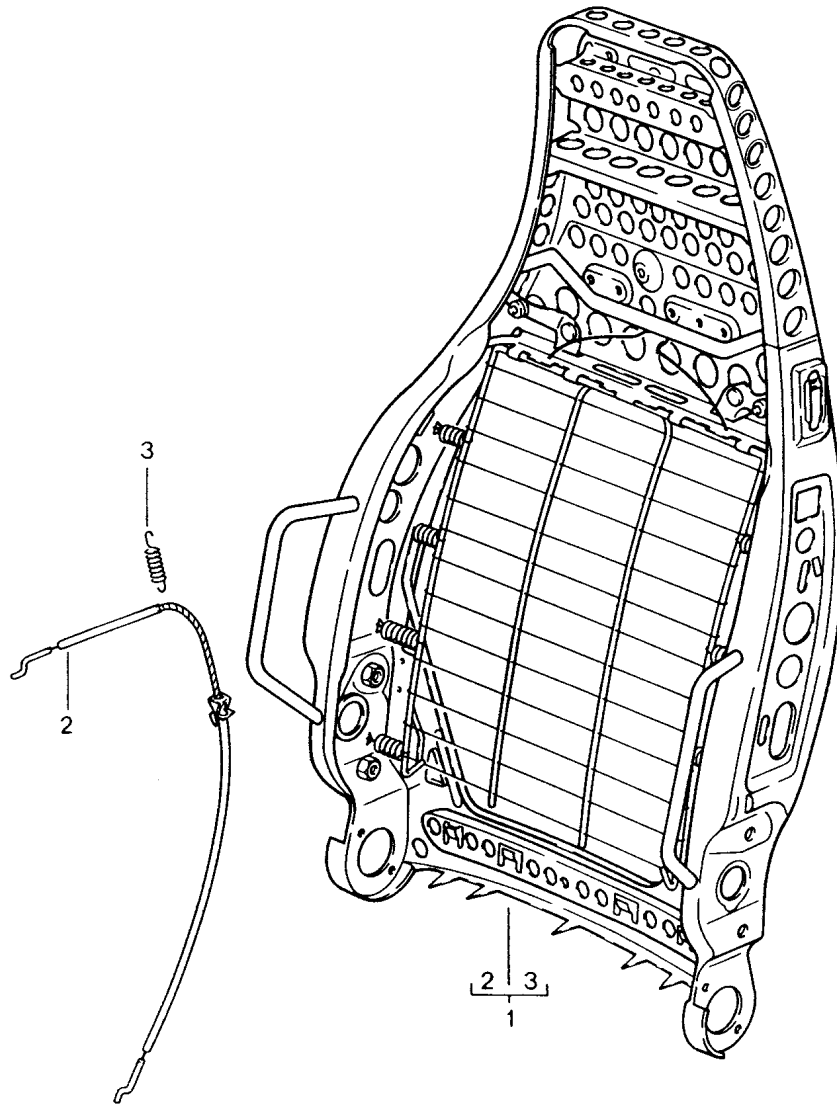
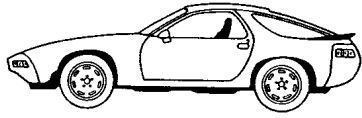
Model life 1985&gt;&gt;1998

Pos	Part Number	Description	Remark	Qty	Model
6	928 521 760 05	Cover		1	
	928 521 760 05 01C	Satin black			
7	N 013 959 3	Oval-head sheetmetal screw B 3,5 X 16		4	
7	900 143 016 02	Oval-head sheetmetal screw B 3,5 X 16		4	
8	900 025 013 07	Washer A 3,7		4	
9	900 119 030 02	Pan-head screw M 8 X 20		12	
10	900 031 001 02	Washer 8,4		16	
10	900 031 105 01	Washer 8,4		16	
11	928 521 101 05	Threaded plate Front		X	
(11)	928 521 101 08	Threaded plate Rear		X	



Model: STZ

Model life 1985>>1998



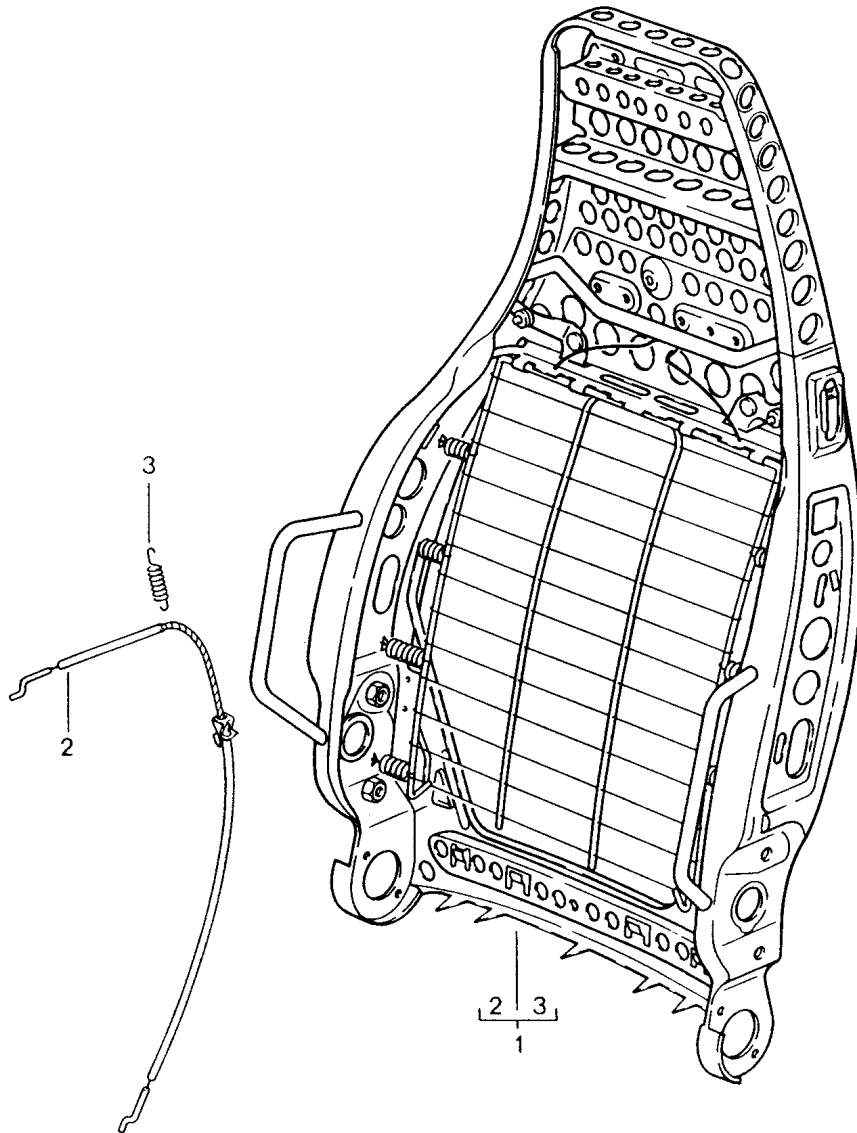
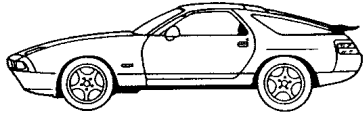
Model: STZ

Model life 1985&gt;&gt;1998

Pos	Part Number	Description	Remark	Qty	Model
		Backrest frame	85-86		928 S
		Sports seat			
1	944 521 027 01	Backrest frame		1	
2	928 521 093 02	Bowden cable		2	
3	311 881 287 A	Tension spring		2	
		Actuating lever			

Model: STZ

Model life 1985>>1998



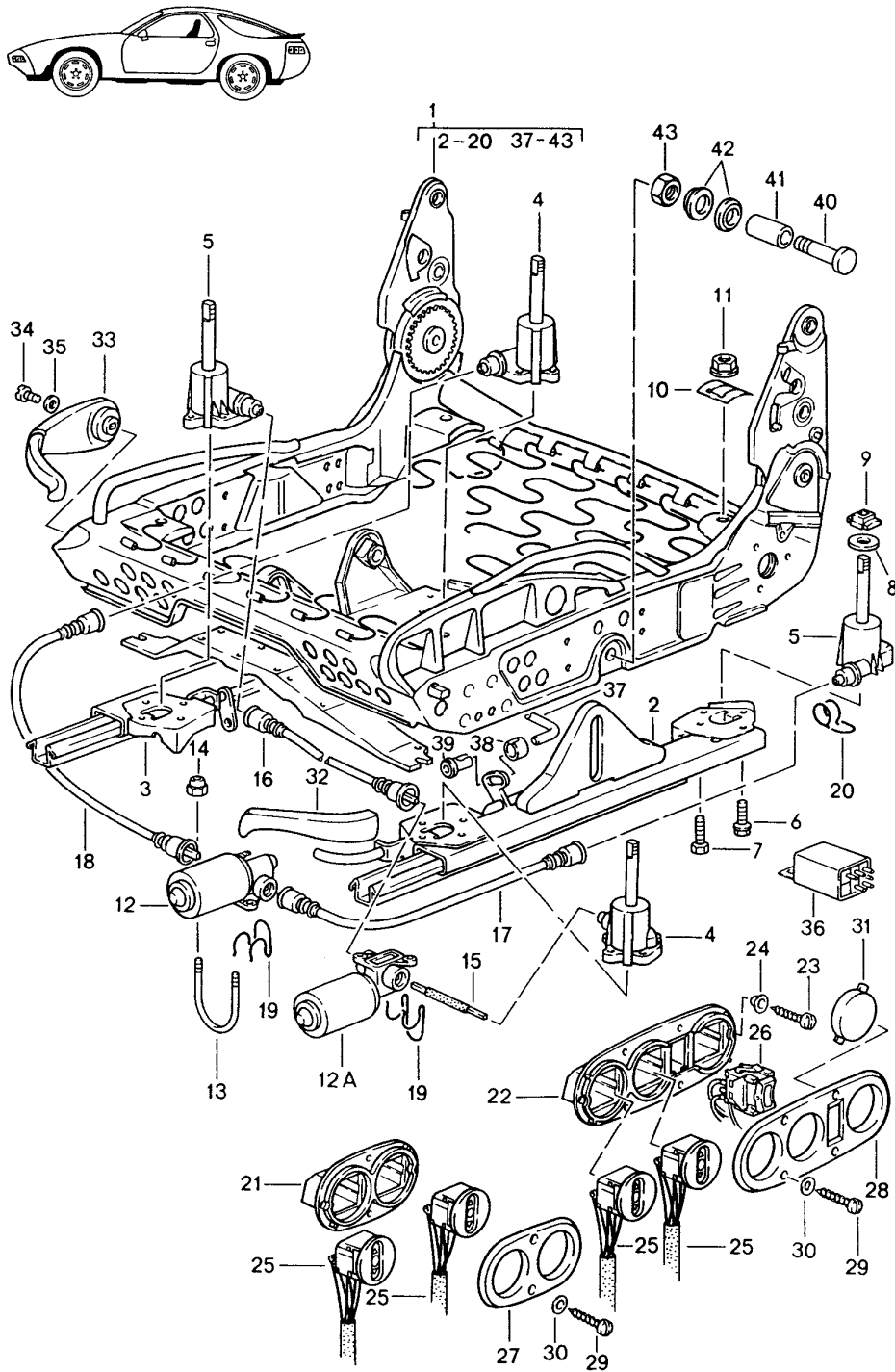
Model: STZ

Model life 1985&gt;&gt;1998

Pos	Part Number	Description	Remark	Qty	Model
		Backrest frame	87-		928 S4/GT
		Sports seat	-95		928 GTS
1	944 521 027 01	Backrest frame		2	
2	928 521 093 02	Bowden cable		4	
3	311 881 287 A	Tension spring		4	
		Actuating lever			

Model: STZ

Model life 1985>>1998



Model: STZ Model life 1985>>1998

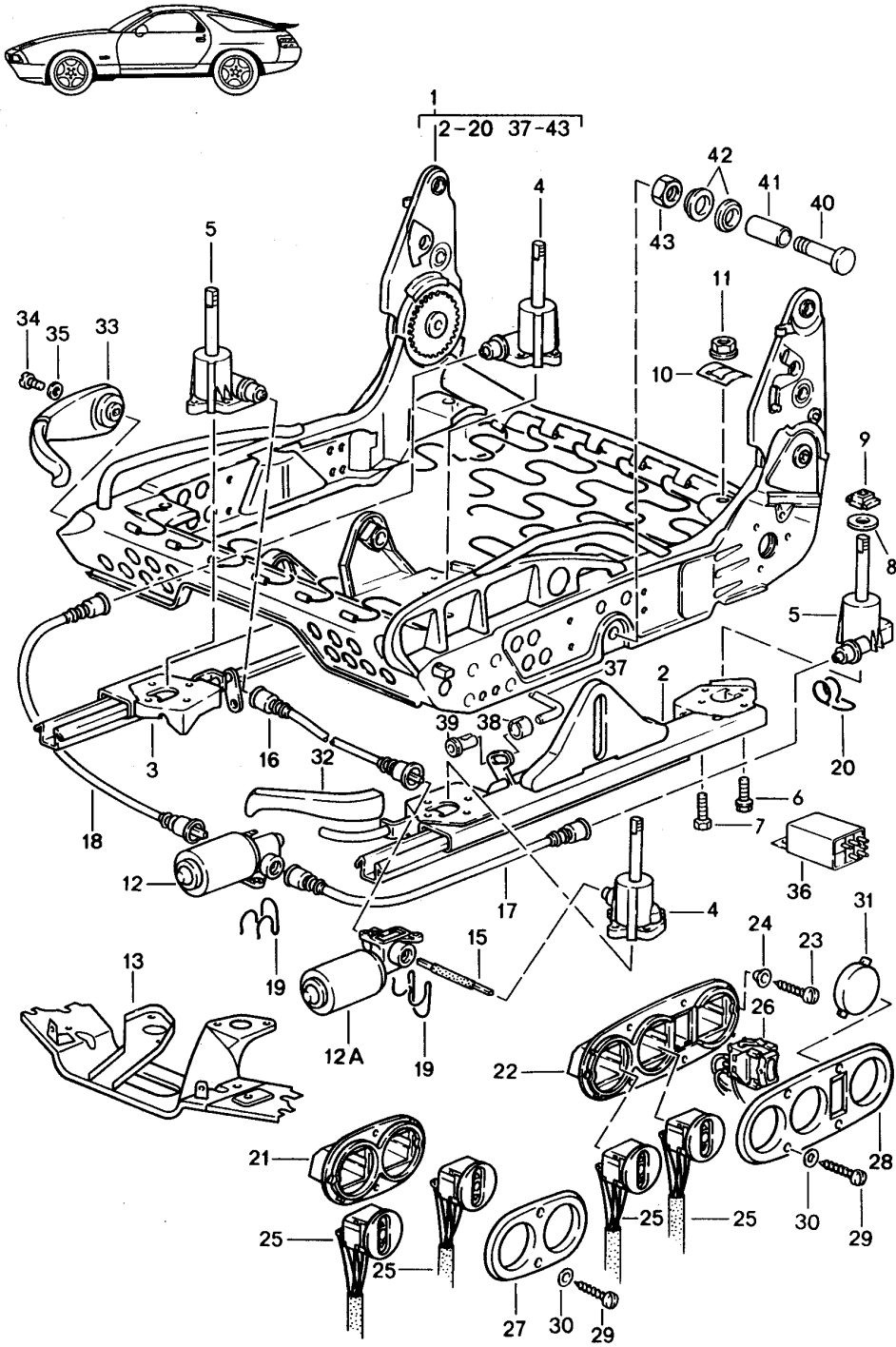
Pos	Part Number	Description	Remark	Qty	Model
		Seat frame	85-86		928 S
		Sports seat			M383/387
		Electrically adjustable			
1	993 521 069 02	Seat frame	/L	1	
(1)	993 521 070 02	Seat frame	/R	1	
2	928 521 489 11	Seat rail		1	
		Left seat			
		Outer			
(2)	928 521 490 11	Seat rail		1	
		Right seat			
		Outer			
(3)	964 521 491 00	Seat rail		1	
		Right seat			
		Inner			
(3)		Seat rail		1	
		Right seat			
		Inner			
3	964 521 492 00	Seat rail		1	
		Left seat			
		Inner			
3		Seat rail		1	
		Left seat			
		Inner			
4	928 521 721 03	Lifting gear		2	
		Left front, right rear			
5	928 521 722 03	Lifting gear		2	
		Right front, left rear			
6	999 217 033 01	Locking screw		20	
		M 6 X 16			
7	900 186 032 02	Pan-head screw		8	
		M 6 X 12			
8	999 025 129 40	Washer		8	
9	928 521 727 02	Slide		8	
10	928 521 723 02	Guide spring		8	
11	928 521 730 02	Nut		8	
12	928 624 126 01	Geared motor		2	
		Rear vertical adjustment			
12A		Geared motor		2	
		Front vertical adjustment			
13	999 222 001 02	Stirrup bolt		4	
		M 4			
14	900 910 006 02	Lock nut		8	
		M 4			
14	900 084 020 01	Lock nut		8	
		M 4			
15	928 521 671 03	Shaft	/L	2	
		Front vertical adjustment			
16	928 521 672 02	Pliable shaft	/R	2	
		Front vertical adjustment			
17	928 521 673 05	Flexible shaft	/L	2	
		Rear vertical adjustment			
18	928 521 674 02	Pliable shaft	/R	2	
		Rear vertical adjustment			
19	928 521 675 02	Moulded spring		4	
20	928 521 699 00	Moulded spring		6	
21	928 521 559 04	Switch insert		2	
22	928 521 559 02	Switch insert	/L	1	
		Seat heater			
(22)	928 521 560 02	Switch insert	/R	1	
		Seat heater			
23	N 013 988 1	Counters. head tapp. screw		4	
		B 3,5 X 16			
24	999 591 849 07	Washer		4	

Model: STZ Model life 1985&gt;&gt;1998

Pos	Part Number	Description	Remark	Qty	Model
25	928 613 181 00	Switch Height adjustment Front and rear		4	
26	928 613 187 01	Switch Seat heater	/L	1	
(26)	928 613 188 01	Switch Seat heater	/R	1	
27	928 521 561 04	Trim for switch		2	
	928 521 561 04 01C	Satin black			
28	928 521 561 03	Trim for switch Seat heater		2	
	928 521 561 03 01C	Satin black			
29	N 013 959 3	Oval-head sheetmetal screw B 3,5 X 16		X	
29	900 143 016 02	Oval-head sheetmetal screw B 3,5 X 16		X	
30	900 025 013 07	Washer A 3,7		X	
31	928 613 425 00	Cover Seat heater		X	
(32)	911 521 533 01	Handle for longitudinal adjustment		2	
	911 521 533 01 01C	Satin black			
(33)	964 521 073 00	Lever for backrest adjustment		2	
	964 521 073 00 01C	Satin black			
(33)	964 521 073 01	Lever for backrest adjustment		2	
	964 521 073 01 01C	Black			
34	900 119 011 07	Pan-head screw M 5 X 10		2	
35	900 031 006 07	Washer 5,3		2	
36	928 618 521 00	Relay Seat heater		1	
37	928 521 525 03	Connecting rod for longitudinal adjustment		2	
38	N 902 514 01	Clamping sleeve for longitudinal adjustment		4	
39	N 902 515 01	Guide bush for longitudinal adjustment		4	
40	928 521 681 02	Bolt		4	
41	928 521 685 02	Bush		4	
42	928 521 683 02	Washer		8	
43	900 034 003 02	Hexagon nut M 10		4	

Model: STZ

Model life 1985>>1998





Model: STZ Model life 1985&gt;&gt;1998

Pos	Part Number	Description	Remark	Qty	Model
1	993 521 069 02	Seat frame Sports seat Electrically adjustable	87- -95	1	928 S4/GT 928 GTS M383/387
(1)	993 521 070 02	Seat frame Elect. vertical adjustment	/L	1	
(1)	993 521 069 00	Seat frame Manually adjustable	/R	1	
(1)	993 521 070 00	Seat frame Manually adjustable	/L	1	
(1)	993 521 070 00	Seat frame Manually adjustable	/R	1	
2	928 521 489 11	Seat rail Left seat Outer		1	
(2)	928 521 490 11	Seat rail Right seat Outer		1	
3	964 521 491 00	Seat rail F >>92KS8 60872 Left seat Inner		1	
(3)	964 521 492 00	Seat rail F 92KS8 60873>> Left seat Inner		1	
(3)	964 521 492 00	Seat rail F >>92KS8 60872 Right seat Inner		1	
(3)	964 521 492 00	Seat rail F 92KS8 60873>> Right seat Inner		1	
(2)	928 521 489 10	Seat rail Left seat Outer Manually adjustable	-89	1	M637/639
(3)	928 521 491 08	Seat rail Right seat Inner Manually adjustable	-89	1	M637/639
(3)	928 521 492 08	Seat rail Left seat Inner Manually adjustable	-89	1	M637/639
(2)	928 521 490 10	Seat rail Right seat Outer Manually adjustable	89	1	M637/639
(4)	928 521 721 03	Lifting gear Left front, right rear		4	
(5)	928 521 722 03	Lifting gear Right front, left rear		4	
6	999 217 033 01	Locking screw M 6 X 16		20	
7	900 186 032 02	Pan-head screw M 6 X 12		8	
8	999 025 129 40	Washer		8	
9	928 521 727 02	Slide		8	
10	928 521 723 02	Guide spring		8	
11	928 521 730 02	Nut		8	
12	928 624 126 01	Geared motor Rear vertical adjustment		2	

Model: STZ Model life 1985>>1998

Pos	Part Number	Description	Remark	Qty	Model
12A		Geared motor		2	
		Front vertical adjustment			
13	928 521 033 02	Engine support		2	
15	928 521 671 03	Shaft	/L	2	
		Front vertical adjustment			
16	928 521 672 03	Shaft	/R	2	
		Front vertical adjustment			
17	928 521 673 05	Flexible shaft	/L	2	
		Rear vertical adjustment			
18	928 521 674 05	Flexible shaft	/R	2	
		Rear vertical adjustment			
18	928 521 674 06	Flexible shaft	/R	2	
		Rear vertical adjustment			
19	928 521 675 02	Moulded spring		4	
20	928 521 699 00	Moulded spring		6	
21	928 521 559 04	Switch insert		2	
22	928 521 559 02	Switch insert	/L	1	
		Seat heater			
(22)	928 521 560 02	Switch insert	/R	1	
		Seat heater			
23	N 013 988 1	Counters. head tapp. screw B 3,5 X 16		4	
24	999 591 849 07	Washer		4	
25	928 613 181 00	Switch		4	
		Height adjustment			
		Front and rear			
26	928 613 187 02	Switch	/L -88	1	
		Seat heater			
(26)	928 613 187 02 01C	Satin black			
	928 613 188 02	Switch	/R -88	1	
		Seat heater			
	928 613 188 02 01C	Satin black			
26	928 613 187 04	Switch	89-	2	
		Seat heater			
	928 613 187 04 01C	Satin black			
27	928 521 561 04	Trim for switch		2	
	928 521 561 04 01C	Satin black			
28	928 521 561 03	Trim for switch		2	
		Seat heater			
	928 521 561 03 01C	Satin black			
29	N 013 959 3	Oval-head sheetmetal screw B 3,5 X 16		X	
29	900 143 016 02	Oval-head sheetmetal screw B 3,5 X 16		X	
30	900 025 013 07	Washer A 3,7		X	
31	928 613 425 00	Cover		X	
		Seat heater			
32	911 521 533 01	Handle		2	
	911 521 533 01 01C	Satin black			
33	964 521 073 00	Lever		2	
		for backrest adjustment			
	964 521 073 00 01C	Satin black			
33	964 521 073 01	Lever		2	
		for backrest adjustment			
	964 521 073 01 01C	Black			
34	900 119 011 07	Pan-head screw M 5 X 10		2	
35	900 031 006 07	Washer 5,3		2	
36	928 618 521 00	Relay	-88	2	
		Seat heater			
36	928 618 521 03	Control unit		2	

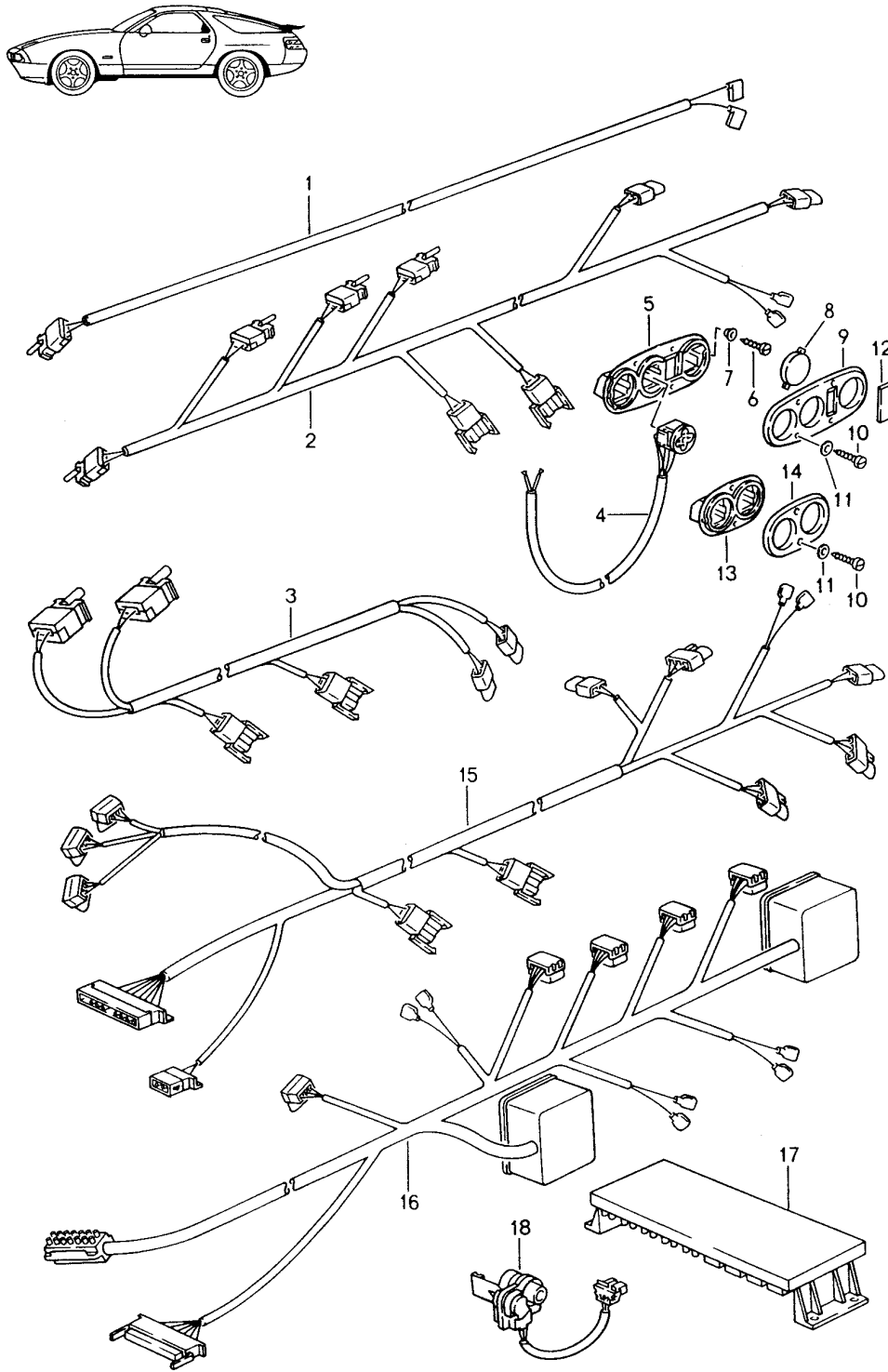
Model: STZ

Model life 1985&gt;&gt;1998

Pos	Part Number	Description	Remark	Qty	Model
37	928 521 525 03	Seat heater Connecting rod for longitudinal adjustment		2	
38	N 902 514 01	Clamping sleeve for longitudinal adjustment		4	
39	N 902 515 01	Guide bush for longitudinal adjustment		4	
40	928 521 681 02	Bolt		4	
41	928 521 685 02	Bush		4	
42	928 521 683 02	Washer		8	
43	900 034 003 02	Hexagon nut M 10		4	
-	944 613 259 02	Cover		1	
	944 613 259 02 1DB	Satin black			

Model: STZ

Model life 1985>>1998



Model: STZ Model life 1985>>1998

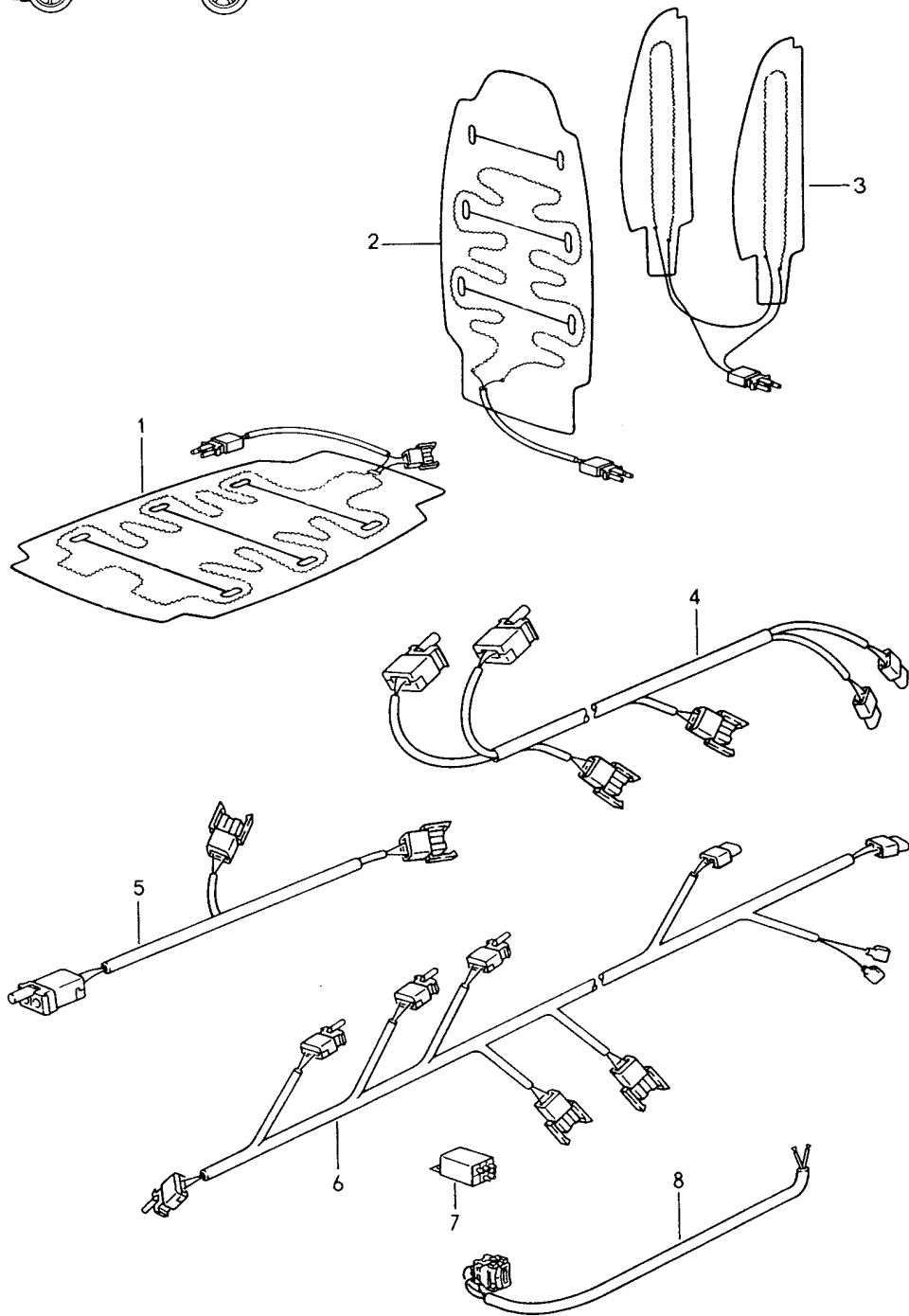
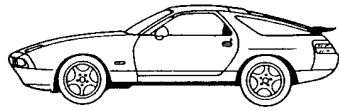
Pos	Part Number	Description	Remark	Qty	Model
		Wiring harnesses	87-		928 S4/GT
		Switch	-95		928 GTS
1	928 612 343 00	Front seat Connecting line for backrest adjustment		2	
2	928 612 337 00	Wiring harness for backrest adjustment Lumbar support adjustment And Seat heater		2	
3	928 612 338 00	Wiring harness for backrest adjustment And Seat heater	89-	2	
4	928 613 182 00	Switch for longitudinal adjustment Front vertical adjustment		2	
(4)	928 613 183 00	Switch for backrest adjustment Rear vertical adjustment		2	
(4)	928 613 184 00	Switch Lumbar support adjustment		2	
	928 613 184 00 01C	Satin black			
(4)	928 613 201 00	Switch Left seat for cars with Seating position control		3	
(4)	928 613 202 00	Switch Right seat for cars with Seating position control		3	
5	928 521 559 02	Switch insert Seat heater		1	
(5)	928 521 560 02	Switch insert Seat heater		1	
6	N 013 988 1	Counters. head tapp. screw B 3,5 X 16		4	
7	999 591 849 07	Washer		4	
8	928 613 425 00	Cover Seat heater		X	
9	928 521 561 03	Trim for switch Seat heater		2	
	928 521 561 03 01C	Satin black			
10	N 013 959 3	Oval-head sheetmetal screw B 3,5 X 16		X	
10	900 143 016 02	Oval-head sheetmetal screw B 3,5 X 16		X	
11	900 025 013 07	Washer A 3,7		X	
12	944 613 259 02	Cover		X	
	944 613 259 02 1DB	Satin black			
13	928 521 559 04	Switch insert		2	
14	928 521 561 04	Trim for switch		2	
	928 521 561 04 01C	Satin black			
15	928 612 231 00	Wiring harness Seating position control Backrest		2	
16	928 612 232 00	Wiring harness Seating position control		2	
17	928 618 134 00	Control unit Seating position control See TPI GRUPPE 8 NR. 48 05/98	-88	2	

Model: STZ Model life 1985>>1998

Pos	Part Number	Description	Remark	Qty	Model
17	928 618 134 01	Control unit Seating position control	89-	2	
18	928 616 320 00	Potentiometer for Height adjustment		4	
(18)	928 616 321 00	Potentiometer for backrest adjustment		2	
(18)	928 616 322 00	Potentiometer for longitudinal adjustment		2	
(18)	928 616 301 00	Potentiometer Lumbar support adjustment Height		2	
(18)	928 616 302 00	Potentiometer Lumbar support adjustment Curvature		2	
-	928 612 227 00	Wiring harness Adapter		2	

Model: STZ

Model life 1985>>1998



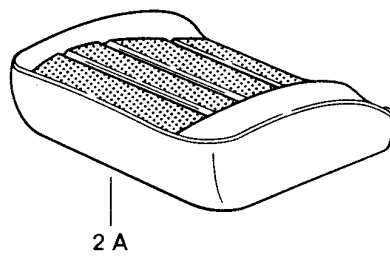
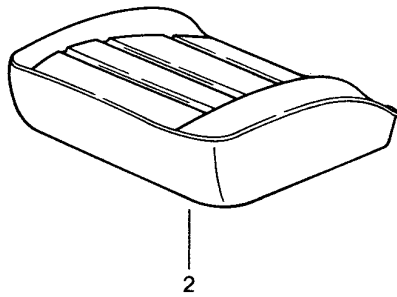
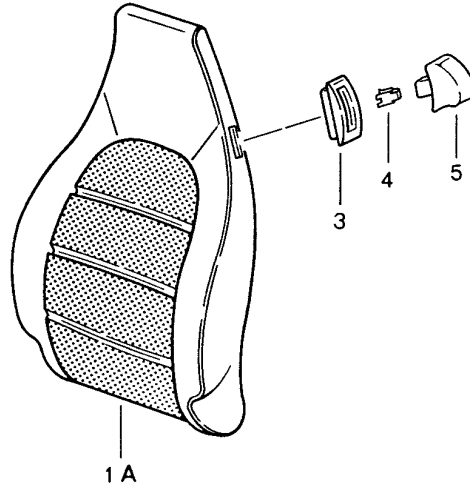
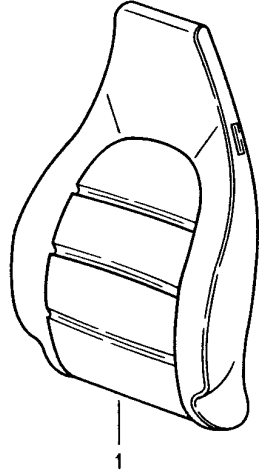
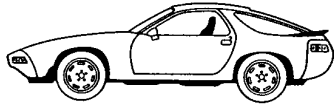
Model: STZ Model life 1985>>1998

Pos	Part Number	Description	Remark	Qty	Model
		Seat heater	87-		928 S4/GT
		Wiring harnesses	-95		928 GTS
(1)	928 653 102 01	Switch			
		Heating element	-88	2	
1	928 653 105 00	Seat surface			
		Heating element	89-	2	
		Seat surface			
(2)	928 653 104 01	Heating element	-88	2	
		Backrest surface			
2	928 653 106 00	Heating element	89-	2	
		Backrest surface			
3	993 653 120 00	Seat heater		2	
4	928 612 338 00	Seat side bolster		2	
		Wiring harness			
		for backrest adjustment			
		And			
		Seat heater			
5	928 612 340 00	Wiring harness	89-	2	
		Seat heater			
6	928 612 337 00	Wiring harness		2	
		for backrest adjustment			
		Lumbar support adjustment			
		And			
		Seat heater			
7	928 618 521 00	Relay	-88	2	
		Seat heater			
7	928 618 521 03	Control unit		2	
		Seat heater			
8	928 613 187 02	Switch	/L -88	1	
		Seat heater			
(8)	928 613 187 02 01C	Satin black			
	928 613 188 02	Switch	/R -88	1	
		Seat heater			
(8)	928 613 188 02 01C	Satin black			
	928 613 187 04	Switch	89-	2	
		Seat heater			
(8)	928 613 187 04 01C	Satin black			
	928 613 189 00	Switch	/L -88	1	
		Seating position control			
		Seat heater			
(8)	928 613 189 00 01C	Satin black			
	928 613 190 00	Switch	/R -88	1	
		Seating position control			
		Seat heater			
(8)	928 613 190 00 01C	Satin black			
	928 613 189 02	Switch	89-	2	
		Seating position control			
		Seat heater			
	928 613 189 02 01C	Satin black			



Model: STZ

Model life 1985>>1998



Model: STZ Model life 1985>>1998

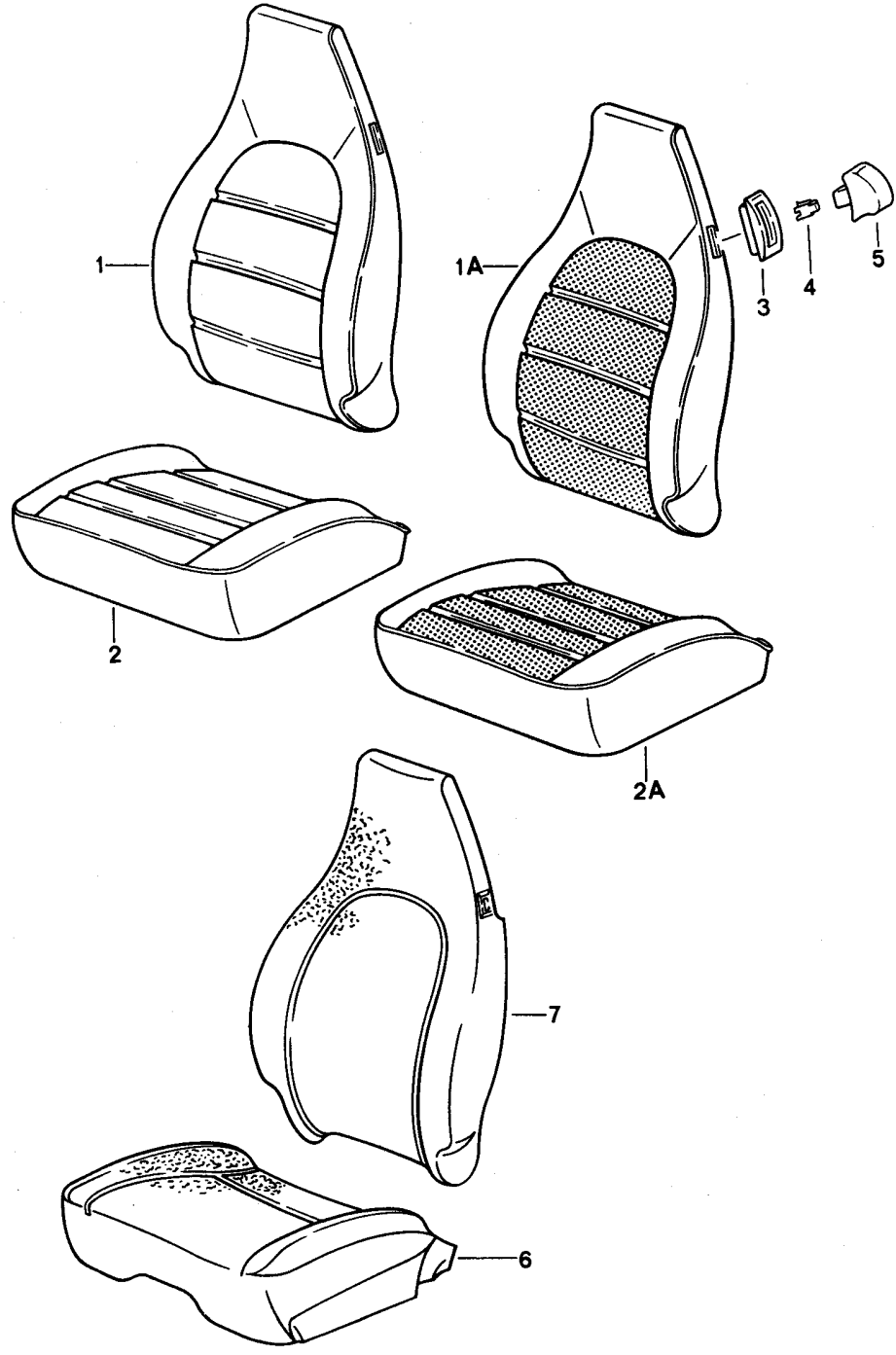
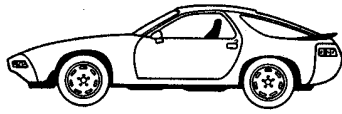
Pos	Part Number	Description	Remark	Qty	Model	
1	928 521 071 87	Cover	85-86	2	928 S	
		Heating element				
		Comfort seat				
		Backrest cover				
		Whole-leather				
		928 521 071 87 KZ2				Black
		928 521 071 87 KZ3				Blue
		928 521 071 87 KZ5				Cadbury brown
		928 521 071 87 LG7				Burgundy
		928 521 071 87 QC2				Greyish green
		928 521 071 87 LG6				Dark green
		928 521 071 87 KZ6				Can-can-red
		928 521 071 87 LG4				Pearl white
928 521 071 87 LG5	Champagne					
928 521 071 87 PY9	Ocean blue					
928 521 071 87 PZ1	Wild buffalo					
1A	928 521 071 89	928 521 071 87 KZ4	86	2		
		Grey-beige				
		Backrest cover				
		Leather/				
		Centre part in cloth				
		Pin stripe velour				
		928 521 071 89 LS5				Black/
		Black-white				
		928 521 071 89 LS6				Brown/
		Brown-beige				
		928 521 071 89 LS8				Blue/
		Blue-white				
		928 521 071 89 LS9				Burgundy/
		Burgundy-white				
		928 521 071 89 QA7				Greyish green/
		Greyish green-white				
		928 521 071 89 LS7				Grey-beige/
Grey-beige-white						
Leather/						
Centre part in cloth						
Pin stripe flannel						
928 521 071 89 QB1	Black/anthracite					
928 521 071 89 QB3	Brown/brown					
928 521 071 89 QB5	Blue/blue					
928 521 071 89 QB7	Burgundy/burgundy					
928 521 071 89 QA8	Greyish green/grey-green					
Leather/						
Centre part						
Porsche lettering cloth						
928 521 071 89 QB2	Black/black					
928 521 071 89 QB4	Brown/brown					
928 521 071 89 QB6	Blue/blue					
928 521 071 89 QB8	Burgundy/burgundy					
928 521 071 89 QA9	Greyish green/grey-green					
928 521 071 89 RU1	Grey-beige/grey-beige					
2	928 521 037 87	928 521 071 89 RU1	86	2		
		Grey-beige/grey-beige				
		Cover for cushion				
		Whole-leather				
		928 521 037 87 KZ2				Black
		928 521 037 87 KZ3				Blue
		928 521 037 87 KZ5				Cadbury brown
		928 521 037 87 LG7				Burgundy
		928 521 037 87 QC2				Greyish green
		928 521 037 87 LG6				Dark green
		928 521 037 87 KZ6				Can-can-red
		928 521 037 87 LG4				Pearl white
		928 521 037 87 LG5				Champagne
928 521 037 87 PY9	Ocean blue					
928 521 037 87 PZ1	Wild buffalo					

Model: STZ Model life 1985&gt;&gt;1998

Pos	Part Number	Description	Remark	Qty	Model
2A	928 521 037 87 KZ4	Grey-beige	86		
	928 521 037 89	Cover for cushion Leather/ Centre part in cloth Pin stripe velour		2	
	928 521 037 89 LS5	Black/ Black-white			
	928 521 037 89 LS6	Brown/ Brown-beige			
	928 521 037 89 LS8	Blue/ Blue-white			
	928 521 037 89 LS9	Burgundy/ Burgundy-white			
	928 521 037 89 QA7	Greyish green/ Greyish green-white			
	928 521 037 89 LS7	Grey-beige/ Grey-beige-white Leather/ Centre part in cloth Pin stripe flannel	86		
	928 521 037 89 QB1	Black/anthracite			
	928 521 037 89 QB3	Brown/brown			
	928 521 037 89 QB5	Blue/blue			
	928 521 037 89 QB7	Burgundy/burgundy			
	928 521 037 89 QA8	Greyish green/grey-green Leather/ Centre part Porsche lettering cloth			
	928 521 037 89 QB2	Black/black			
	928 521 037 89 QB4	Brown/brown			
	928 521 037 89 QB6	Blue/blue			
	928 521 037 89 QB8	Burgundy/burgundy			
	928 521 037 89 QA9	Greyish green/grey-green			
	928 521 037 89 RU1	Grey-beige/grey-beige	86		
-	000 043 071 00	Clamp Mount Cover Bag Content 50 Pieces		X	
3	911 521 815 00	Rosette		4	
	911 521 815 00 01C	Satin black			
4	311 881 247	Clip		4	
5	911 521 817 00	Control button		4	
	911 521 817 00 01C	Satin black			
-	928 653 104 01	Heating element Backrest surface		2	
-	928 653 102 01	Heating element Seat surface		2	
-	928 521 385 25	Foam part Seat cushion	/L	1	
-	928 521 386 25	Foam part Seat cushion	/R	1	
-	928 521 385 26	Foam part Seat cushion	/L	1	M139/586
-	928 521 386 26	Foam part Seat cushion	/R	1	M340/513
-	928 521 393 16	Foam part Backrest frame		2	

Model: STZ

Model life 1985>>1998



Model: STZ Model life 1985>>1998

Pos	Part Number	Description	Remark	Qty	Model		
1	928 521 071 87	Cover	87-	2	928 S4/GT 928 GTS		
		Front seat	-95				
		Backrest cover					
			Whole-leather				
			928 521 071 87 KZ2			Black	-90
			928 521 071 87 TV1			Mahogany	-90
			928 521 071 87 TS1			Marine blue	-90
			928 521 071 87 LG7			Burgundy	-90
			928 521 071 87 QC2			Greyish green	-88
			928 521 071 87 LG5			Champagne	-88
			928 521 071 87 TW1			Linen	-90
			928 521 071 87 XN4			Cashmere beige	89-90
			928 521 071 87 XG1			Plum red	-88
			928 521 071 87 XG2			Silver-grey	-88
			928 521 071 87 XG3			Caramel	-90
			928 521 071 87 XG4			Venetian blue	-90
			928 521 071 87 XN5			Silk grey	89-90
			928 521 071 87 XN6			Velvet red	89-90
			928 521 071 87 XN7			Slate grey	89-90
			928 521 071 87 ATH			Black	91-
			928 521 071 87 APL			Classic grey	91-
			928 521 071 87 ARL			Cobalt blue	91-93
			928 521 071 87 ASL			Magenta	91-93
			928 521 071 87 AQL			Light grey	91-93
			928 521 071 87 ATY			Cashmere beige	91-
			928 521 071 87 BQB			Marine blue	91-93
			928 521 071 87 AVF			Matador red	91-93
			928 521 071 87 AVG			Carrara grey	91-93
			928 521 071 87 AVH			Sherwood green	91-93
			928 521 071 87 DBD			Midnight blue	94-
			928 521 071 87 DCD			Chestnut brown	94-
			928 521 071 87 DDD			Marble grey	94-
			928 521 071 87 DEC			Provence blue	94-
	928 521 071 87 DEE	Cedar green	94-				
	928 521 071 87 DEF	Flamenco red	94-				
1	928 521 071 04	Backrest cover		2			
			Draped leather				
			928 521 071 04 KZ2			Black	-90
			928 521 071 04 TV1			Mahogany	-90
			928 521 071 04 TS1			Marine blue	-90
			928 521 071 04 LG7			Burgundy	-90
			928 521 071 04 QC2			Greyish green	-88
			928 521 071 04 LG5			Champagne	-88
			928 521 071 04 TW1			Linen	-90
			928 521 071 04 XN4			Cashmere beige	89-90
			928 521 071 04 XG1			Plum red	-88
			928 521 071 04 XG2			Silver-grey	-88
			928 521 071 04 XG3			Caramel	-90
			928 521 071 04 XG4			Venetian blue	-90
			928 521 071 04 XN5			Silk grey	89-90
			928 521 071 04 XN6			Velvet red	89-90
			928 521 071 04 XN7			Slate grey	89-90
			928 521 071 04 ATH			Black	91-
			928 521 071 04 APL			Classic grey	91-
			928 521 071 04 ARL			Cobalt blue	91-93
			928 521 071 04 ASL			Magenta	91-93
			928 521 071 04 AQL			Light grey	91-93
			928 521 071 04 ATY			Cashmere beige	91-
			928 521 071 04 BQB			Marine blue	91-93
			928 521 071 04 AVF			Matador red	91-93
			928 521 071 04 AVG			Carrara grey	91-93
			928 521 071 04 AVH			Sherwood green	91-93
			928 521 071 04 DBD			Midnight blue	94-

Model: STZ Model life 1985>>1998

Pos	Part Number	Description	Remark	Qty	Model
1A	928 521 071 04 DCD	Chestnut brown	94-	2	
	928 521 071 04 DDD	Marble grey	94-		
	928 521 071 04 DEC	Provence blue	94-		
	928 521 071 04 DEE	Cedar green	94-		
	928 521 071 04 DEF	Flamenco red	94-		
	928 521 071 89	Backrest cover Leather/ Centre part in cloth Pin stripe velour			
	928 521 071 89 LS5	Black/ Black-white	-90		
	928 521 071 89 TU1	Mahogany/ Mahogany-white	-90		
	928 521 071 89 TR1	Blue/ Blue-white	-90		
	928 521 071 89 LS9	Burgundy/ Burgundy-white	-90		
1A	928 521 071 89 QA7	Greyish green/ Greyish green-white	-88	2	
	928 521 071 89 XF5	Linen/ Linen white	89-90		
	928 521 071 89 XF8	Cashmere beige/ Cashmere beige-white	89-90		
	928 521 071 89	Backrest cover Leather/ Centre part in cloth Multicolour	89-		
	928 521 071 89 XG6	Black/black	-90		
	928 521 071 89 XG7	Mahogany/mahogany	-90		
	928 521 071 89 XG8	Marine blue/blue	-90		
	928 521 071 89 XG9	Burgundy/burgundy	-90		
	928 521 071 89 XF7	Linen/linen	-90		
	928 521 071 89 XG5	Cashmere beige/cash. beige	-90		
1A	928 521 071 89 ATJ	Black/black	91-93	2	
	928 521 071 89 AQT	Classic grey/classic grey	91-93		
	928 521 071 89 AQU	Cobalt blue/cobalt blue	91-93		
	928 521 071 89 ASJ	Magenta/Magenta	91-93		
	928 521 071 89 AQJ	Light grey/light grey	91-93		
	928 521 071 89 ATW	Cashmere beige/cash. beige	91-93		
	928 521 071 89 BQJ	Marine blue/marine blue	91-93		
	928 521 071 89	Backrest cover Leather/ Centre part in cloth Pin stripe flannel	-88		
	928 521 071 89 QB1	Black/anthracite			
	928 521 071 89 TU2	Mahogany			
1A	928 521 071 89 TR2	Marine blue		2	
	928 521 071 89 QB7	Burgundy/burgundy			
	928 521 071 89 QA8	Greyish green/grey-green			
	928 521 071 89	Backrest cover Leather/ Centre part Porsche lettering cloth			
	928 521 071 89 QB2	Black/black	-90		
	928 521 071 89 TU3	Mahogany/mahogany	-90		
	928 521 071 89 TR3	Marine blue/blue	-90		
	928 521 071 89 QB8	Burgundy/burgundy	-90		
	928 521 071 89 XF6	Linen/linen	89-90		
	928 521 071 89 XF9	Cashmere beige/cash. beige	89-90		
1A	928 521 071 89 QA9	Greyish green/grey-green	-88	2	
	928 521 071 89 ATD	Black/black	91-		
	928 521 071 89 APG	Classic grey/classic grey	91-		
	928 521 071 89 ARG	Cobalt blue/cobalt blue	91-93		

Model: **STZ** Model life **1985>>1998**

Pos	Part Number	Description	Remark	Qty	Model
	928 521 071 89 ASG	Magenta/Magenta	91-93		
	928 521 071 89 AQQ	Light grey/light grey	91-93		
	928 521 071 89 ATU	Cashmere beige/cash. beige	91-		
	928 521 071 89 BQL	Marine blue/marine blue	91-93		
	928 521 071 89 DBB	Midnight bl./midnight blue	94-		
	928 521 071 89 DCB	Chestnut brown/ Chestnut brown	94-		
2	928 521 071 89 DDB	Marble grey/marble grey	94-	2	
	928 521 037 87	Cover for cushion Whole-leather			
	928 521 037 87 KZ2	Black	-90		
	928 521 037 87 TV1	Mahogany	-90		
	928 521 037 87 TS1	Marine blue	-90		
	928 521 037 87 LG7	Burgundy	-90		
	928 521 037 87 QC2	Greyish green	-90		
	928 521 037 87 LG5	Champagne	-88		
	928 521 037 87 TW1	Linen	-90		
	928 521 037 87 XN4	Cashmere beige	89-90		
	928 521 037 87 XG1	Plum red	-88		
	928 521 037 87 XG2	Silver-grey	-88		
	928 521 037 87 XG3	Caramel	-90		
	928 521 037 87 XG4	Venetian blue	-90		
	928 521 037 87 XN5	Silk grey	89-90		
	928 521 037 87 XN6	Velvet red	89-90		
	928 521 037 87 XN7	Slate grey	89-90		
	928 521 037 87 ATH	Black	91-		
	928 521 037 87 APL	Classic grey	91-		
	928 521 037 87 ARL	Cobalt blue	91-93		
	928 521 037 87 ASL	Magenta	91-93		
	928 521 037 87 AQL	Light grey	91-93		
	928 521 037 87 ATY	Cashmere beige	91-		
	928 521 037 87 BQB	Marine blue	91-93		
	928 521 037 87 AVF	Matador red	91-93		
	928 521 037 87 AVG	Carrara grey	91-93		
	928 521 037 87 AVH	Sherwood green	91-93		
	928 521 037 87 DBD	Midnight blue	94-		
	928 521 037 87 DCD	Chestnut brown	94-		
	928 521 037 87 DDD	Marble grey	94-		
	928 521 037 87 DEC	Provence blue	94-		
	928 521 037 87 DEE	Cedar green	94-		
	928 521 037 87 DEF	Flamenco red	94-		
2	928 521 037 05	Cover for cushion Draped leather		2	
	928 521 037 05 KZ2	Black	-90		
	928 521 037 05 TV1	Mahogany	-90		
	928 521 037 05 TS1	Marine blue	-90		
	928 521 037 05 LG7	Burgundy	-90		
	928 521 037 05 QC2	Greyish green	-90		
	928 521 037 05 LG5	Champagne	-88		
	928 521 037 05 TW1	Linen	-90		
	928 521 037 05 XN4	Cashmere beige	89-90		
	928 521 037 05 XG1	Plum red	-88		
	928 521 037 05 XG2	Silver-grey	-88		
	928 521 037 05 XG3	Caramel	-90		
	928 521 037 05 XG4	Venetian blue	-90		
	928 521 037 05 XN5	Silk grey	89-90		
	928 521 037 05 XN6	Velvet red	89-90		
	928 521 037 05 XN7	Slate grey	89-90		
	928 521 037 05 ATH	Black	91-		
	928 521 037 05 APL	Classic grey	91-		
	928 521 037 05 ARL	Cobalt blue	91-93		
	928 521 037 05 ASL	Magenta	91-93		
	928 521 037 05 AQL	Light grey	91-93		

Model: STZ Model life 1985>>1998

Pos	Part Number	Description	Remark	Qty	Model
	928 521 037 05 ATY	Cashmere beige	91-		
	928 521 037 05 BQB	Marine blue	91-93		
	928 521 037 05 AVF	Matador red	91-93		
	928 521 037 05 AVG	Carrara grey	91-93		
	928 521 037 05 AVH	Sherwood green	91-93		
	928 521 037 05 DBD	Midnight blue	94-		
	928 521 037 05 DCD	Chestnut brown	94-		
	928 521 037 05 DDD	Marble grey	94-		
	928 521 037 05 DEC	Provence blue	94-		
	928 521 037 05 DEE	Cedar green	94-		
	928 521 037 05 DEF	Flamenco red	94-		
2A	928 521 037 89	Cover for cushion Leather/ Centre part in cloth Pin stripe velour		2	
	928 521 037 89 LS5	Black/ Black-white	-90		
	928 521 037 89 TU1	Mahogany/ Mahogany-white	-90		
	928 521 037 89 TR1	Blue/ Blue-white	-90		
	928 521 037 89 LS9	Burgundy/ Burgundy-white	-90		
	928 521 037 89 QA7	Greyish green/ Greyish green-white	-88		
	928 521 037 89 XF5	Linen/ Linen white	89-90		
	928 521 037 89 XF8	Cashmere beige/ Cashmere beige-white	89-90		
2A	928 521 037 89	Cover for cushion Leather/ Centre part in cloth Multicolour	89-	2	
	928 521 037 89 XG6	Black/black	-90		
	928 521 037 89 XG7	Mahogany/mahogany	-90		
	928 521 037 89 XG8	Marine blue/blue	-90		
	928 521 037 89 XG9	Burgundy/burgundy	-90		
	928 521 037 89 XF7	Linen/linen	-90		
	928 521 037 89 XG5	Cashmere beige/cash. beige	-90		
	928 521 037 89 ATJ	Black/black	91-93		
	928 521 037 89 AQT	Classic grey/classic grey	91-93		
	928 521 037 89 AQU	Cobalt blue/cobalt blue	91-93		
	928 521 037 89 ASJ	Magenta/Magenta	91-93		
	928 521 037 89 AQJ	Light grey/light grey	91-93		
	928 521 037 89 ATW	Cashmere beige/cash. beige	91-93		
	928 521 037 89 BQJ	Marine blue/marine blue	91-93		
2A	928 521 037 89	Cover for cushion Leather/ Centre part in cloth Pin stripe flannel	-88	2	
	928 521 037 89 QB1	Black/anthracite			
	928 521 037 89 TU2	Mahogany			
	928 521 037 89 TR2	Marine blue			
	928 521 037 89 QB7	Burgundy/burgundy			
	928 521 037 89 QA8	Greyish green/grey-green			
2A	928 521 037 89	Cover for cushion Leather/ Centre part Porsche lettering cloth		2	
	928 521 037 89 QB2	Black/black	-90		
	928 521 037 89 TU3	Mahogany	-90		
	928 521 037 89 TR3	Marine blue	-90		
	928 521 037 89 QB8	Burgundy/burgundy	-90		

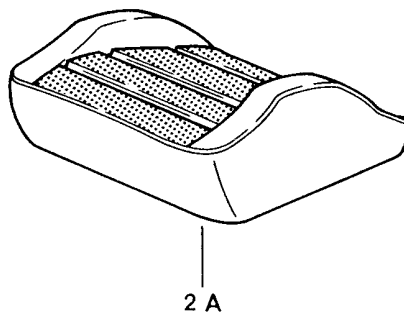
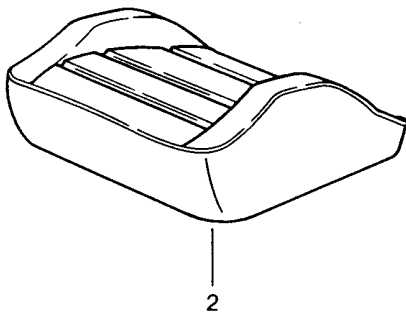
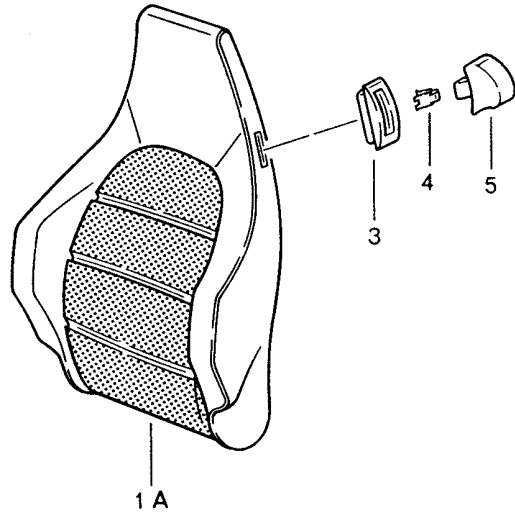
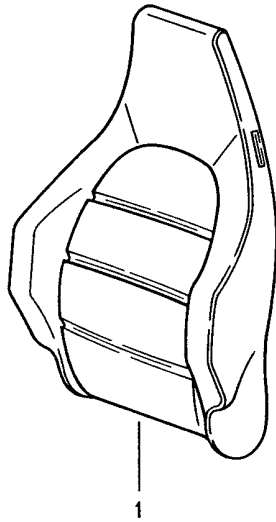
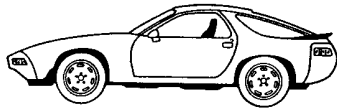


Model: STZ Model life 1985>>1998

Pos	Part Number	Description	Remark	Qty	Model
	928 521 037 89 XF6	Linen/linen	89-90		
	928 521 037 89 XF9	Cashmere beige/cash. beige	89-90		
	928 521 037 89 QA9	Greyish green/grey-green	-88		
	928 521 037 89 ATD	Black/black	91-		
	928 521 037 89 APG	Classic grey/classic grey	91-		
	928 521 037 89 ARG	Cobalt blue/cobalt blue	91-93		
	928 521 037 89 ASG	Magenta/Magenta	91-93		
	928 521 037 89 AQG	Light grey/light grey	91-93		
	928 521 037 89 ATU	Cashmere beige/cash. beige	91-		
	928 521 037 89 BQL	Marine blue/marine blue	91-93		
	928 521 037 89 DBB	Midnight bl./midnight blue	94-		
	928 521 037 89 DCB	Chestnut brown/ Chestnut brown	94-		
	928 521 037 89 DDB	Marble grey/marble grey	94-		
-	000 043 071 00	Clamp Mount Cover Bag Content 50 Pieces		X	
3	911 521 815 00	Rosette		4	
	911 521 815 00 01C	Satin black			
4	311 881 247	Clip		4	
5	911 521 817 00	Control button		4	
	911 521 817 00 01C	Satin black			
6	928 521 385 25	Foam part Seat cushion	/L	1	
(6)	928 521 386 25	Foam part Seat cushion	/R	1	
(6)	928 521 385 26	Foam part Seat cushion	/L	1	M139/586
(6)	928 521 386 26	Foam part Seat cushion	/R	1	M340/513
7	928 521 393 16	Foam part Backrest frame		2	

Model: STZ

Model life 1985>>1998



Model: STZ Model life 1985>>1998

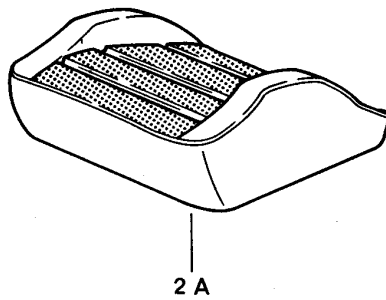
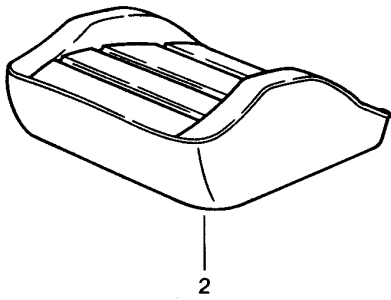
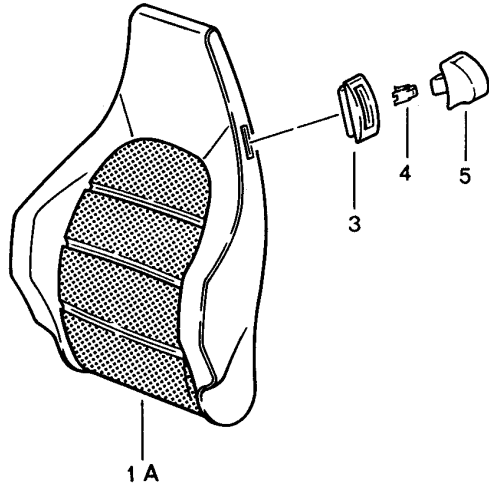
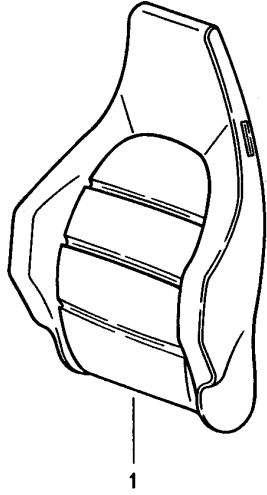
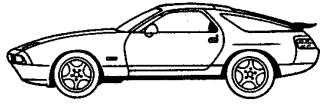
Pos	Part Number	Description	Remark	Qty	Model	
1	944 521 071 67	Cover	85-86	2	928 S	
		Heating element				
		Sports seat				
		Backrest cover				
		Whole-leather				
		944 521 071 67 KZ2				Black
		944 521 071 67 KZ3				Blue
		944 521 071 67 KZ5				Cadbury brown
		944 521 071 67 LG7				Burgundy
		944 521 071 67 QC2				Greyish green
		944 521 071 67 LG6				Dark green
		944 521 071 67 KZ6				Can-can-red
		944 521 071 67 LG4				Pearl white
944 521 071 67 LG5	Champagne					
944 521 071 67 PY9	Ocean blue					
944 521 071 67 PZ1	Wild buffalo					
1A	944 521 071 69	944 521 071 67 KZ4	86	2		
		Grey-beige				
		Backrest cover				
		Leather/				
		Centre part in cloth				
		Pin stripe velour				
		944 521 071 69 LS5				Black/
		Black-white				
		944 521 071 69 LS6				Brown/
		Brown-beige				
		944 521 071 69 LS8				Blue/
		Blue-white				
		944 521 071 69 LS9				Burgundy/
		Burgundy-white				
		944 521 071 69 QA7				Greyish green/
		Greyish green-white				
		944 521 071 69 LS7				Grey-beige/
		Grey-beige-white				
		Leather/				
		Centre part in cloth				
Pin stripe flannel						
944 521 071 69 QB1	Black/anthracite					
944 521 071 69 QB3	Brown/brown					
944 521 071 69 QB5	Blue/blue					
944 521 071 69 QB7	Burgundy/burgundy					
944 521 071 69 QA8	Greyish green/grey-green					
Leather/						
Centre part						
Porsche lettering cloth						
944 521 071 69 QB2	Black/black					
944 521 071 69 QB4	Brown/brown					
944 521 071 69 QB6	Blue/blue					
944 521 071 69 QB8	Burgundy/burgundy					
944 521 071 69 QA9	Greyish green/grey-green					
944 521 071 69 RU1	Grey-beige/grey-beige					
2	944 521 037 67	944 521 071 69 RU1	86	2		
		Grey-beige/grey-beige				
		Cover for cushion				
		Whole-leather				
		944 521 037 67 KZ2				Black
		944 521 037 67 KZ3				Blue
		944 521 037 67 KZ5				Cadbury brown
		944 521 037 67 LG7				Burgundy
		944 521 037 67 QC2				Greyish green
		944 521 037 67 LG6				Dark green
		944 521 037 67 KZ6				Can-can-red
		944 521 037 67 LG4				Pearl white
		944 521 037 67 LG5				Champagne
944 521 037 67 PY9	Ocean blue					
944 521 037 67 PZ1	Wild buffalo					

Model: STZ Model life 1985>>1998

Pos	Part Number	Description	Remark	Qty	Model
2A	944 521 037 67 KZ4	Grey-beige	86	2	
	944 521 037 69	Cover for cushion Leather/ Centre part in cloth Pin stripe velour			
	944 521 037 69 LS5	Black/ Black-white			
	944 521 037 69 LS6	Brown/ Brown-beige			
	944 521 037 69 LS8	Blue/ Blue-white			
	944 521 037 69 LS9	Burgundy/ Burgundy-white			
	944 521 037 69 QA7	Greyish green/ Greyish green-white			
	944 521 037 69 LS7	Grey-beige/ Grey-beige-white Leather/ Centre part in cloth Pin stripe flannel	86		
	944 521 037 69 QB1	Black/anthracite			
	944 521 037 69 QB3	Brown/brown			
	944 521 037 69 QB5	Blue/blue			
	944 521 037 69 QB7	Burgundy/burgundy			
	944 521 037 69 QA8	Greyish green/grey-green Leather/ Centre part Porsche lettering cloth			
	944 521 037 69 QB2	Black/black			
	944 521 037 69 QB4	Brown/brown			
	944 521 037 69 QB6	Blue/blue			
	944 521 037 69 QB8	Burgundy/burgundy			
	944 521 037 69 QA9	Greyish green/grey-green			
	944 521 037 69 RU1	Grey-beige/grey-beige	86		
-	000 043 071 00	Clamp Mount Cover Bag Content 50 Pieces			X
3	911 521 815 00	Rosette		4	
	911 521 815 00 01C	Satin black			
4	311 881 247	Clip		4	
5	911 521 817 00	Control button		4	
	911 521 817 00 01C	Satin black			
-	928 653 104 01	Heating element Backrest surface		1	
-	928 653 102 01	Heating element Seat surface		1	

Model: STZ

Model life 1985>>1998



Model: STZ Model life 1985>>1998

Pos	Part Number	Description	Remark	Qty	Model		
1	944 521 071 67	Cover	87-	2	928 S4/GT 928 GTS		
		Heating element	-95				
		Sports seat					
		Backrest cover					
		Whole-leather					
		944 521 071 67 KZ2	Black			-90	
		944 521 071 67 TV1	Mahogany			-90	
		944 521 071 67 TS1	Marine blue			-90	
		944 521 071 67 LG7	Burgundy			-90	
		944 521 071 67 QC2	Greyish green			-88	
		944 521 071 67 LG5	Champagne			-88	
		944 521 071 67 TW1	Linen			-90	
		944 521 071 67 XN4	Cashmere beige			89-90	
		944 521 071 67 XG1	Plum red			-88	
		944 521 071 67 XG2	Silver-grey			-88	
		944 521 071 67 XG3	Caramel			-90	
		944 521 071 67 XG4	Venetian blue			-90	
		944 521 071 67 XN5	Silk grey			89-90	
		944 521 071 67 XN6	Velvet red			89-90	
		944 521 071 67 XN7	Slate grey			89-90	
		944 521 071 67 ATH	Black			91-	
		944 521 071 67 APL	Classic grey			91-	
		944 521 071 67 ARL	Cobalt blue			91-93	
		944 521 071 67 ASL	Magenta			91-93	
		944 521 071 67 ATY	Cashmere beige			91-	
		944 521 071 67 BQB	Marine blue			91-93	
		944 521 071 67 AVF	Matador red			91-93	
		944 521 071 67 AVG	Carrara grey			91-93	
		944 521 071 67 AVH	Sherwood green			91-93	
		944 521 071 67 DBD	Midnight blue			94-	
		944 521 071 67 DCD	Chestnut brown			94-	
944 521 071 67 DDD	Marble grey	94-					
944 521 071 67 DEC	Provence blue	94-					
944 521 071 67 DEE	Cedar green	94-					
944 521 071 67 DEF	Flamenco red	94-					
1A	944 521 071 69	Backrest cover		2			
		Leather/ Centre part in cloth Pin stripe velour					
	944 521 071 69 LS5	Black/ Black-white	-90 -90				
	944 521 071 69 TU1	Mahogany/ Mahogany-white	-90 -90				
	944 521 071 69 TR1	Blue/ Blue-white	-90 -90				
	944 521 071 69 LS9	Burgundy/ Burgundy-white	-90 -90				
	944 521 071 69 QA7	Greyish green/ Greyish green-white	-88 -88				
	944 521 071 69 XF5	Linen/ Linen white	89-90 89-90				
	944 521 071 69 XF8	Cashmere beige/ Cashmere beige-white	89-90 89-90				
1A	944 521 071 69	Backrest cover				2	M637/639
		Leather/ Centre part in cloth Pin stripe velour					
	944 521 071 69 LS5	Black/ Black-white	-90				
	944 521 071 69 TU1	Mahogany/ Mahogany-white	-90				
	944 521 071 69 TR1	Blue/ Blue-white	-90				

Model: STZ Model life 1985>>1998

Pos	Part Number	Description	Remark	Qty	Model
	944 521 071 69 LS9	Burgundy/ Burgundy-white	-90		
	944 521 071 69 QA7	Greyish green/ Greyish green-white	-88 -88		
	944 521 071 69 XF5	Linen/ Linen white	89-90		
	944 521 071 69 XF8	Cashmere beige/ Cashmere beige-white	89-90		
1A	944 521 071 69	Backrest cover Leather/ Centre part in cloth Multicolour	89-	2	
	944 521 071 69 XG6	Black/black	-90		
	944 521 071 69 XG7	Mahogany/mahogany	-90		
	944 521 071 69 XG8	Marine blue/blue	-90		
	944 521 071 69 XG9	Burgundy/burgundy	-90		
	944 521 071 69 XF7	Linen/linen	-90		
	944 521 071 69 XG5	Cashmere beige/cash. beige	-90		
	944 521 071 69 ATJ	Black/black	91-93		
	944 521 071 69 AQT	Classic grey/classic grey	91-93		
	944 521 071 69 AQU	Cobalt blue/cobalt blue	91-93		
	944 521 071 69 ASJ	Magenta/Magenta	91-93		
	944 521 071 69 AQJ	Light grey/light grey	91-93		
	944 521 071 69 ATW	Cashmere beige/cash. beige	91-93		
	944 521 071 69 BQJ	Marine blue/marine blue	91-93		
1A	944 521 071 69	Backrest cover Leather/ Centre part in cloth Multicolour	89-	2	M637/639
	944 521 071 69 XG6	Black/black			
	944 521 071 69 XG7	Mahogany/mahogany			
	944 521 071 69 XG8	Marine blue/blue			
	944 521 071 69 XG9	Burgundy/burgundy			
	944 521 071 69 XF7	Linen/linen			
	944 521 071 69 XG5	Cashmere beige/cash. beige			
	944 521 071 69 ATJ	Black/black			
	944 521 071 69 AQT	Classic grey/classic grey			
	944 521 071 69 AQU	Cobalt blue/cobalt blue			
	944 521 071 69 ASJ	Magenta/Magenta			
	944 521 071 69 AQJ	Light grey/light grey			
	944 521 071 69 ATW	Cashmere beige/cash. beige			
	944 521 071 69 BQJ	Marine blue/marine blue			
1A	944 521 071 69	Backrest cover Leather/ Centre part in cloth Pin stripe flannel	-88	2	
	944 521 071 69 QB1	Black/anthracite			
	944 521 071 69 TU2	Mahogany			
	944 521 071 69 TR2	Marine blue			
	944 521 071 69 QB7	Burgundy/burgundy			
	944 521 071 69 QA8	Greyish green/grey-green			
1A	944 521 071 69	Backrest cover Leather/ Centre part in cloth Pin stripe flannel	-89 -88	2	M637/639
	944 521 071 69 QB1	Black/anthracite			
	944 521 071 69 TU2	Mahogany			
	944 521 071 69 TR2	Marine blue			
	944 521 071 69 QB7	Burgundy/burgundy			
	944 521 071 69 QA8	Greyish green/grey-green			
1A	944 521 071 69	Backrest cover Leather/ Centre part		2	

Model: STZ Model life 1985>>1998

Pos	Part Number	Description	Remark	Qty	Model
	944 521 071 69 QB2	Porsche lettering cloth Black/black	-90		
	944 521 071 69 TU3	Mahogany	-90		
	944 521 071 69 TR3	Marine blue	-90		
	944 521 071 69 QB8	Burgundy/burgundy	-90		
	944 521 071 69 QA9	Greyish green/grey-green	-88		
	944 521 071 69 XF6	Linen/linen	89-90		
	944 521 071 69 XF9	Cashmere beige/cash. beige	89-90		
	944 521 071 69 ATD	Black/black	91-		
	944 521 071 69 APG	Classic grey/classic grey	91-		
	944 521 071 69 ARG	Cobalt blue/cobalt blue	91-93		
	944 521 071 69 ASG	Magenta/Magenta	91-93		
	944 521 071 69 AQG	Light grey/light grey	91-93		
	944 521 071 69 ATU	Cashmere beige/cash. beige	91-		
	944 521 071 69 BQL	Marine blue/marine blue	91-93		
	944 521 071 69 DBB	Midnight bl./midnight blue	94-		
	944 521 071 69 DCB	Chestnut brown/ Chestnut brown	94- 94-		
1A	944 521 071 69 DDB	Marble grey/marble grey	94-	2	M637/639
	944 521 071 69	Backrest cover Leather/ Centre part Porsche lettering cloth			
	944 521 071 69 QB2	Black/black			
	944 521 071 69 TU3	Mahogany			
	944 521 071 69 TR3	Marine blue			
	944 521 071 69 QB8	Burgundy/burgundy			
	944 521 071 69 QA9	Greyish green/grey-green	-88		
	944 521 071 69 XF6	Linen/linen			
	944 521 071 69 XF9	Cashmere beige/cash. beige			
	944 521 071 69 ATD	Black/black	91-		
	944 521 071 69 APG	Classic grey/classic grey	91-		
	944 521 071 69 ARG	Cobalt blue/cobalt blue			
	944 521 071 69 ASG	Magenta/Magenta			
	944 521 071 69 AQG	Light grey/light grey			
	944 521 071 69 ATU	Cashmere beige/cash. beige	91-		
	944 521 071 69 BQL	Marine blue/marine blue			
	944 521 071 69 DBB	Midnight bl./midnight blue	94-		
	944 521 071 69 DCB	Chestnut brown/ Chestnut brown	94- 94-		
2	944 521 071 69 DDB	Marble grey/marble grey	94-	2	
	944 521 037 67	Cover for cushion Whole-leather			
	944 521 037 67 KZ2	Black	-90		
	944 521 037 67 TV1	Mahogany	-90		
	944 521 037 67 TS1	Marine blue	-90		
	944 521 037 67 LG7	Burgundy	-90		
	944 521 037 67 QC2	Greyish green	-88		
	944 521 037 67 LG5	Champagne	-88		
	944 521 037 67 TW1	Linen	-90		
	944 521 037 67 XN4	Cashmere beige	89-90		
	944 521 037 67 XG1	Plum red	-88		
	944 521 037 67 XG2	Silver-grey	-88		
	944 521 037 67 XG3	Caramel	-90		
	944 521 037 67 XG4	Venetian blue	-90		
	944 521 037 67 XN5	Silk grey	89-90		
	944 521 037 67 XN6	Velvet red	89-90		
	944 521 037 67 XN7	Slate grey	89-90		
	944 521 037 67 ATH	Black	91-		
	944 521 037 67 APL	Classic grey	91-		
	944 521 037 67 ARL	Cobalt blue	91-93		
	944 521 037 67 ASL	Magenta	91-93		
	944 521 037 67 AQL	Light grey	91-93		



Model: STZ Model life 1985>>1998

Pos	Part Number	Description	Remark	Qty	Model
	944 521 037 67 ATY	Cashmere beige	91-		
	944 521 037 67 BQB	Marine blue	91-93		
	944 521 037 67 AVF	Matador red	91-93		
	944 521 037 67 AVG	Carrara grey	91-93		
	944 521 037 67 AVH	Sherwood green	91-93		
	944 521 037 67 DBD	Midnight blue	94-		
	944 521 037 67 DCD	Chestnut brown	94-		
	944 521 037 67 DDD	Marble grey	94-		
	944 521 037 67 DEC	Provence blue	94-		
	944 521 037 67 DEE	Cedar green	94-		
	944 521 037 67 DEF	Flamenco red	94-		
2A	944 521 037 69	Cover for cushion Leather/ Centre part in cloth Pin stripe velour		2	
	944 521 037 69 LS5	Black/ Black-white	-90 -90		
	944 521 037 69 TU1	Mahogany/ Mahogany-white	-90 -90		
	944 521 037 69 TR1	Blue/ Blue-white	-90 -90		
	944 521 037 69 LS9	Burgundy/ Burgundy-white	-90 -90		
	944 521 037 69 QA7	Greyish green/ Greyish green-white	-88 -88		
	944 521 037 69 XF5	Linen/ Linen white	89-90 89-90		
	944 521 037 69 XF8	Cashmere beige/ Cashmere beige-white	89-90 89-90		
2A	928 521 037 20	Seat cover Leather/ Centre part in cloth Pin stripe velour		2	M637/639
	928 521 037 20 LS5	Black/ Black-white	-90		
	928 521 037 20 TU1	Mahogany/ Mahogany-white	-90		
	928 521 037 20 TR1	Blue/ Blue-white	-90		
	928 521 037 20 LS9	Burgundy/ Burgundy-white	-90		
	928 521 037 20 QA7	Greyish green/ Greyish green-white	-88 -88		
	928 521 037 20 XF5	Linen/ Linen white	89-90		
	928 521 037 20 XF8	Cashmere beige/ Cashmere beige-white	89-90		
2A	944 521 037 69	Cover for cushion Leather/ Centre part in cloth Multicolour		2	
	944 521 037 69 XG6	Black/black	89- -90		
	944 521 037 69 XG7	Mahogany/mahogany	-90		
	944 521 037 69 XG8	Marine blue/blue	-90		
	944 521 037 69 XG9	Burgundy/burgundy	-90		
	944 521 037 69 XF7	Linen/linen	-90		
	944 521 037 69 XG5	Cashmere beige/cash. beige	-90		
	944 521 037 69 ATJ	Black	91-93		
	944 521 037 69 AQT	Classic grey/classic grey	91-93		
	944 521 037 69 AQU	Cobalt blue/cobalt blue	91-93		
	944 521 037 69 ASJ	Magenta/Magenta	91-93		
	944 521 037 69 AQJ	Light grey/light grey	91-93		
	944 521 037 69 ATW	Cashmere beige/cash. beige	91-93		

Model: STZ Model life 1985>>1998

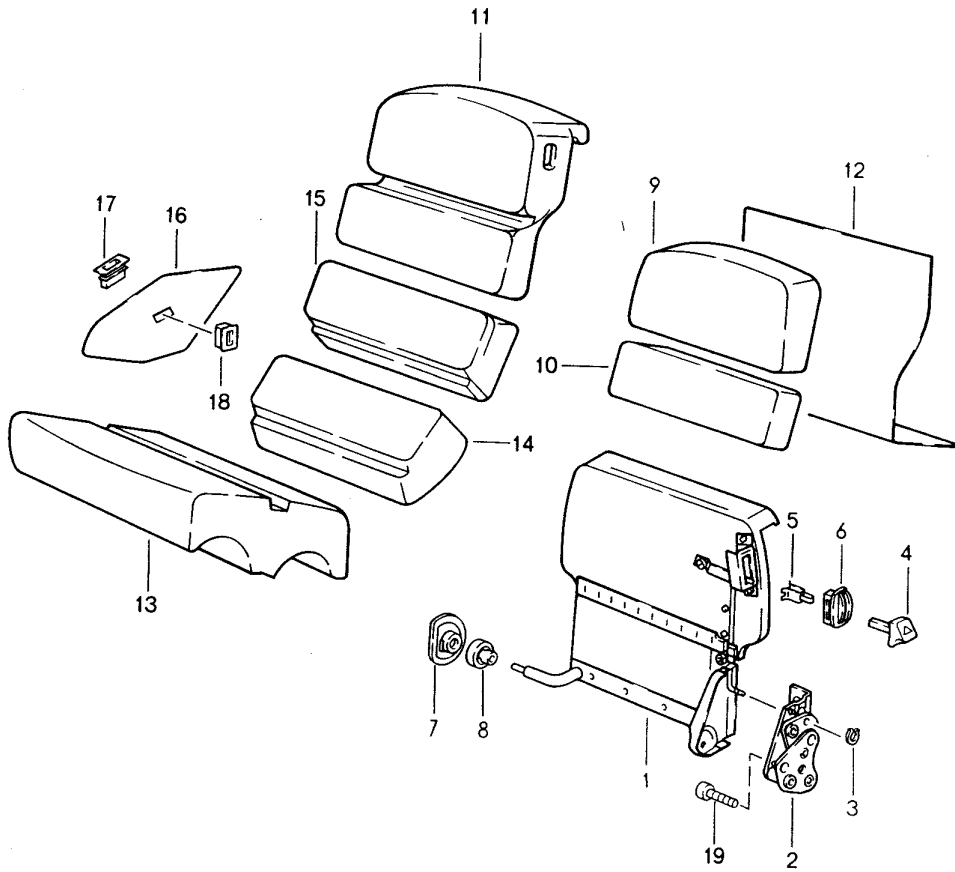
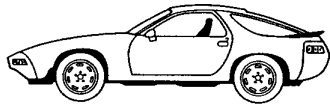
Pos	Part Number	Description	Remark	Qty	Model			
2A	944 521 037 69 BQJ	Marine blue/marine blue	91-93	2	M637/639			
	928 521 037 20	Seat cover Leather/ Centre part in cloth Multicolour	89-					
	928 521 037 20 XG6	Black/black						
	928 521 037 20 XG7	Mahogany/mahogany						
	928 521 037 20 XG8	Marine blue/blue						
	928 521 037 20 XG9	Burgundy/burgundy						
	928 521 037 20 XF7	Linen/linen						
	928 521 037 20 XG5	Cashmere beige/cash. beige						
	928 521 037 20 ATJ	Black/black						
	928 521 037 20 AQT	Classic grey/classic grey						
	928 521 037 20 AQU	Cobalt blue/cobalt blue						
	928 521 037 20 ASJ	Magenta/Magenta						
	928 521 037 20 AQJ	Light grey/light grey						
	928 521 037 20 ATW	Cashmere beige/cash. beige						
2A	944 521 037 69 BQJ	Marine blue/marine blue Cover for cushion Leather/ Centre part in cloth Pin stripe flannel	-88	2	M637/639			
	944 521 037 69 QB1	Black/anthracite						
	944 521 037 69 TU2	Mahogany						
	944 521 037 69 TR2	Marine blue						
	944 521 037 69 QB7	Burgundy/burgundy						
	944 521 037 69 QA8	Greyish green/grey-green						
	2A	928 521 037 20	Seat cover Leather/ Centre part in cloth Pin stripe flannel			-89 -88	2	M637/639
		928 521 037 20 QB1	Black/anthracite					
928 521 037 20 TU2		Mahogany/mahogany						
928 521 037 20 TR2		Marine blue/blue						
928 521 037 20 QB7		Burgundy						
928 521 037 20 QA8		Greyish green/grey-green						
2A		944 521 037 69	Cover for cushion Leather/ Centre part Porsche lettering cloth		2	M637/639		
		944 521 037 69 QB2	Black/black	-90				
		944 521 037 69 TU3	Mahogany	-90				
		944 521 037 69 TR3	Marine blue	-90				
		944 521 037 69 QB8	Burgundy/burgundy	-90				
		944 521 037 69 QA9	Greyish green/grey-green	-88				
		944 521 037 69 XF6	Linen/linen	89-90				
		944 521 037 69 XF9	Cashmere beige/cash. beige	89-90				
	944 521 037 69 ATD	Black/black	91-					
	944 521 037 69 APG	Classic grey/classic grey	91-					
	944 521 037 69 ARG	Cobalt blue/cobalt blue	91-93					
	944 521 037 69 ASG	Magenta/Magenta	91-93					
	944 521 037 69 AQG	Light grey/light grey	91-93					
	944 521 037 69 ATU	Cashmere beige/cash. beige	91-					
	944 521 037 69 BQL	Marine blue/marine blue	91-93					
	944 521 037 69 DBB	Midnight bl./midnight blue	94-					
	944 521 037 69 DCB	Chestnut brown/ Chestnut brown	94- 94-					
	2A	944 521 037 69 DDB	Marble grey/marble grey	94-			2	M637/639
928 521 037 20		Seat cover Leather/ Centre part Porsche lettering cloth						
	928 521 037 20 QB2	Black/black						

Model: STZ Model life 1985>>1998

Pos	Part Number	Description	Remark	Qty	Model
	928 521 037 20 TU3	Mahogany/mahogany			
	928 521 037 20 TR3	Marine blue/blue			
	928 521 037 20 QB8	Burgundy/burgundy			
	928 521 037 20 QA9	Greyish green/grey-green	-88		
	928 521 037 20 XF6	Linen/linen			
	928 521 037 20 XF9	Cashmere beige/cash. beige			
	928 521 037 20 ATD	Black/black	91-		
	928 521 037 20 APG	Classic grey/classic grey	91-		
	928 521 037 20 ARG	Cobalt blue/cobalt blue			
	928 521 037 20 ASG	Magenta/Magenta			
	928 521 037 20 AQG	Light grey/light grey			
	928 521 037 20 ATU	Cashmere beige/cash. beige	91-		
	928 521 037 20 BQL	Marine blue/blue			
	928 521 037 20 DBB	Midnight bl./midnight blue	94-		
	928 521 037 20 DCB	Chestnut brown/ Chestnut brown	94- 94-		
	928 521 037 20 DDB	Marble grey/marble grey	94-		
-	000 043 071 00	Clamp Mount Cover Bag Content 50 Pieces		X	
3	911 521 815 00	Rosette		4	
	911 521 815 00 01C	Satin black			
4	311 881 247	Clip		4	
5	911 521 817 00	Control button		4	
	911 521 817 00 01C	Satin black			
-	928 653 104 01	Heating element Backrest surface	-88	2	
-	928 653 102 01	Heating element Seat surface	-88	2	
-	928 653 106 00	Heating element Backrest surface	89-	2	
-	928 653 105 00	Heating element Seat surface	89-	2	
-	993 653 120 00	Seat heater Seat side bolster		2	

Model: STZ

Model life 1985>>1998



Model: STZ Model life 1985>>1998

Pos	Part Number	Description	Remark	Qty	Model
		Back seat	85-86		928 S
1	928 522 013 02	Backrest frame	/L	1	
(1)	928 522 014 02	Backrest frame	/R	1	
2	928 522 085 03	Backrest fittings	/L	1	
(2)	928 522 086 03	Backrest fittings	/R	1	
3	N 012 432 1	Lock washer 2,3		2	
4	911 521 817 00	Control button		2	
	911 521 817 00 01C	Satin black			
5	311 881 247	Clip		2	
6	911 521 815 00	Rosette		2	
	911 521 815 00 01C	Satin black			
7	928 522 619 02	Rosette		2	
		Bearing			
		Backrest			
8	928 522 635 02	Bearing sleeve		2	
9	928 522 251 02	Foam part	/L	1	
		Upper			
(9)	928 522 252 02	Foam part	/R	1	
		Upper			
10	928 522 253 02	Foam part	/L	1	
		Lower			
(10)	928 522 254 02	Foam part	/R	1	
		Lower			
(11)	928 522 037 52	Back seat backrest cover	/L	1	
		Whole-leather			
	928 522 037 52 KZ2	Black			
	928 522 037 52 KZ3	Blue			
	928 522 037 52 KZ5	Brown			
	928 522 037 52 LG7	Burgundy			
	928 522 037 52 QC2	Greyish green			
	928 522 037 52 KZ4	Grey-beige	86		
	928 522 037 52 LG6	Dark green			
	928 522 037 52 KZ6	Can-can-red			
	928 522 037 52 LG4	Pearl white			
	928 522 037 52 LG5	Champagne			
	928 522 037 52 PY9	Ocean blue			
	928 522 037 52 PZ1	Wild buffalo			
(11)	928 522 038 52	Back seat backrest cover	/R	1	
		Whole-leather			
	928 522 038 52 KZ2	Black			
	928 522 038 52 KZ3	Blue			
	928 522 038 52 KZ5	Brown			
	928 522 038 52 LG7	Burgundy			
	928 522 038 52 QC2	Greyish green			
	928 522 038 52 KZ4	Grey-beige	86		
	928 522 038 52 LG6	Dark green			
	928 522 038 52 KZ6	Can-can-red			
	928 522 038 52 LG4	Pearl white			
	928 522 038 52 LG5	Champagne			
	928 522 038 52 PY9	Ocean blue			
	928 522 038 52 PZ1	Wild buffalo			
(11)	928 522 037 53	Back seat backrest cover	/L	1	
		Leather/ Pin stripe velour			
	928 522 037 53 LS5	Black/ Black-white			
	928 522 037 53 LS6	Brown/ Brown-beige			
	928 522 037 53 LS8	Blue/ Blue-white			
	928 522 037 53 LS9	Burgundy/ Burgundy-white			

Model: STZ Model life 1985>>1998

Pos	Part Number	Description	Remark	Qty	Model
	928 522 037 53 QA7	Greyish green/ Greyish green-white			
	928 522 037 53 LS7	Grey-beige/ Grey-beige-white	86 86		
(11)	928 522 038 53	Back seat backrest cover Leather/ Pin stripe velour	/R	1	
	928 522 038 53 LS5	Black/ Black-white			
	928 522 038 53 LS6	Brown/ Brown-beige			
	928 522 038 53 LS8	Blue/ Blue-white			
	928 522 038 53 LS9	Burgundy/ Burgundy-white			
	928 522 038 53 QA7	Greyish green/ Greyish green-white			
	928 522 038 53 LS7	Grey-beige/ Grey-beige-white	86 86		
(11)	928 522 037 53	Back seat backrest cover Leather/ Pin stripe flannel	/L	1	
	928 522 037 53 QB1	Black/anthracite			
	928 522 037 53 QB3	Brown/brown			
	928 522 037 53 QB5	Blue/blue			
	928 522 037 53 QB7	Burgundy/burgundy			
	928 522 037 53 QA8	Greyish green/grey-green			
(11)	928 522 038 53	Back seat backrest cover Leather/ Pin stripe flannel	/R	1	
	928 522 038 53 QB1	Black/anthracite			
	928 522 038 53 QB3	Brown/brown			
	928 522 038 53 QB5	Blue/blue			
	928 522 038 53 QB7	Burgundy/burgundy			
	928 522 038 53 QA8	Greyish green/grey-green			
(11)	928 522 037 53	Back seat backrest cover Leather/ Porsche lettering cloth	/L	1	
	928 522 037 53 QB2	Black/black			
	928 522 037 53 QB4	Brown/brown			
	928 522 037 53 QB6	Blue/blue			
	928 522 037 53 QB8	Burgundy/burgundy			
	928 522 037 53 QA9	Greyish green/grey-green			
	928 522 037 53 RU1	Grey-beige/grey-beige	86		
(11)	928 522 038 53	Back seat backrest cover Leather/ Porsche lettering cloth	/R	1	
	928 522 038 53 QB2	Black/black			
	928 522 038 53 QB4	Brown/brown			
	928 522 038 53 QB6	Blue/blue			
	928 522 038 53 QB8	Burgundy/burgundy			
	928 522 038 53 QA9	Greyish green/grey-green			
	928 522 038 53 RU1	Grey-beige/grey-beige	86		
12	928 522 051 03	Carpet for Back seat backrest	/L	1	
	928 522 051 03 2FL	Grey-beige	86		
	928 522 051 03 70E	Black			
	928 522 051 03 40E	Brown			
	928 522 051 03 30B	Blue			
	928 522 051 03 80E	Burgundy			
	928 522 051 03 8JK	Greyish green			
	928 522 051 03 60A	Grey			

Model: STZ Model life 1985>>1998

Pos	Part Number	Description	Remark	Qty	Model	
(12)	928 522 051 03 6JD	Dark green				
	928 522 051 03 80S	Can-can-red				
	928 522 051 03 1VD	Champagne				
	928 522 051 03 2YN	White				
	928 522 052 03	Carpet for Back seat backrest	/R	1		
	928 522 052 03 2FL	Grey-beige	86			
	928 522 052 03 70E	Black				
	928 522 052 03 40E	Brown				
	928 522 052 03 30B	Blue				
	928 522 052 03 80E	Burgundy				
	928 522 052 03 8JK	Greyish green				
	928 522 052 03 60A	Grey				
(13)	928 522 052 03 6JD	Dark green				
	928 522 052 03 80S	Can-can-red				
	928 522 052 03 1VD	Champagne				
	928 522 052 03 2YN	White				
	928 522 059 04	Seat cushion Front Pin stripe velour	/L	1		
	928 522 059 04 7BN	Black-white				
	928 522 059 04 3NN	Brown-beige				
	928 522 059 04 8GJ	Blue-white				
	928 522 059 04 1MJ	Burgundy-white				
	928 522 059 04 9FN	Grey-beige-white	86			
	928 522 059 04 3JV	Greyish green-white				
	13	928 522 060 05	Seat cushion Front Pin stripe velour	/R	1	
(13)	928 522 060 05 7BN	Black-white				
	928 522 060 05 3NN	Brown-beige				
	928 522 060 05 8GJ	Blue-white				
	928 522 060 05 1MJ	Burgundy-white				
	928 522 060 05 9FN	Grey-beige-white	86			
	928 522 060 05 3JV	Greyish green-white				
	928 522 059 04	Seat cushion Front Porsche lettering cloth	/L	1		
	928 522 059 04 2CZ	Black				
	928 522 059 04 7NZ	Brown				
	928 522 059 04 6HZ	Blue				
	928 522 059 04 5LZ	Burgundy				
	928 522 059 04 1JK	Greyish green				
13	928 522 059 04 5UY	Grey-beige	86			
	928 522 060 05	Seat cushion Front Porsche lettering cloth	/R	1		
	928 522 060 05 2CZ	Black				
	928 522 060 05 7NZ	Brown				
	928 522 060 05 6HZ	Blue				
	928 522 060 05 5LZ	Burgundy				
	928 522 060 05 1JK	Greyish green				
	928 522 060 05 5UY	Grey-beige	86			
	(13)	928 522 059 04	Seat cushion Front Pin stripe flannel	/L	1	
	928 522 059 04 8BF	Anthracite				
	928 522 059 04 2TF	Brown				
	928 522 059 04 6GF	Blue				
928 522 059 04 1MF	Burgundy					
928 522 059 04 9JF	Greyish green					
13	928 522 060 05	Seat cushion	/R	1		

Model: STZ Model life 1985>>1998

Pos	Part Number	Description	Remark	Qty	Model
		Front			
		Pin stripe flannel			
	928 522 060 05 8BF	Anthracite			
	928 522 060 05 2TF	Brown			
	928 522 060 05 6GF	Blue			
	928 522 060 05 1MF	Burgundy			
	928 522 060 05 9JF	Greyish green			
(13)	928 522 059 51	Seat cushion	/L	1	
		Front			
		Whole-leather			
	928 522 059 51 KZ2	Black			
	928 522 059 51 KZ5	Cadbury brown			
	928 522 059 51 KZ3	Blue			
	928 522 059 51 LG7	Burgundy			
	928 522 059 51 KZ4	Grey-beige	84/86		
	928 522 059 51 KZ6	Can-can-red			
	928 522 059 51 LG4	Pearl white			
	928 522 059 51 LG5	Champagne			
	928 522 059 51 LG6	Dark green			
	928 522 059 51 QC2	Greyish green			
	928 522 059 51 PY9	Ocean blue			
	928 522 059 51 PZ1	Wild buffalo			
13	928 522 060 52	Seat cushion	/R	1	
		Front			
		Whole-leather			
	928 522 060 52 KZ2	Black			
	928 522 060 52 KZ5	Brown			
	928 522 060 52 KZ3	Blue			
	928 522 060 52 LG7	Burgundy			
	928 522 060 52 KZ4	Grey-beige	84/86		
	928 522 060 52 KZ6	Can-can-red			
	928 522 060 52 LG4	Pearl white			
	928 522 060 52 LG5	Champagne			
	928 522 060 52 LG6	Dark green			
	928 522 060 52 QC2	Greyish green			
	928 522 060 52 PY9	Ocean blue			
	928 522 060 52 PZ1	Wild buffalo			
(14)	928 522 087 04	Seat cushion	/L	1	
		Centre			
		Pin stripe velour			
	928 522 087 04 7BN	Black-white			
	928 522 087 04 3NN	Brown-beige			
	928 522 087 04 8GJ	Blue-white			
	928 522 087 04 1MJ	Burgundy-white			
	928 522 087 04 9FN	Grey-beige-white	86		
	928 522 087 04 3JV	Greyish green-white			
14	928 522 088 04	Seat cushion	/R	1	
		Centre			
		Pin stripe velour			
	928 522 088 04 7BN	Black-white			
	928 522 088 04 3NN	Brown-beige			
	928 522 088 04 8GJ	Blue-white			
	928 522 088 04 1MJ	Burgundy-white			
	928 522 088 04 9FN	Grey-beige-white	86		
	928 522 088 04 3JV	Greyish green-white			
(14)	928 522 087 04	Seat cushion	/L	1	
		Centre			
		Porsche lettering cloth			
	928 522 087 04 2CZ	Black			
	928 522 087 04 7NZ	Brown			
	928 522 087 04 6HZ	Blue			
	928 522 087 04 5LZ	Burgundy			
	928 522 087 04 1JK	Greyish green			



Model: STZ Model life 1985>>1998

Pos	Part Number	Description	Remark	Qty	Model			
14	928 522 087 04 5UY	Grey-beige	86	1				
	928 522 088 04	Seat cushion	/R					
		Centre						
		Porsche lettering cloth						
	928 522 088 04 2CZ	Black						
	928 522 088 04 7NZ	Brown						
	928 522 088 04 6HZ	Blue						
	928 522 088 04 5LZ	Burgundy						
	928 522 088 04 1JK	Greyish green						
	928 522 088 04 5UY	Grey-beige	86					
(14)	928 522 087 04	Seat cushion	/L	1				
		Centre						
		Pin stripe flannel						
	928 522 087 04 8BF	Anthracite						
	928 522 087 04 2TF	Brown						
	928 522 087 04 6GF	Blue						
	928 522 087 04 1MF	Burgundy						
	928 522 087 04 9JF	Greyish green						
	14	928 522 088 04	Seat cushion			/R	1	
		Centre						
	Pin stripe flannel							
928 522 088 04 8BF	Anthracite							
928 522 088 04 2TF	Brown							
928 522 088 04 6GF	Blue							
928 522 088 04 1MF	Burgundy							
928 522 088 04 9JF	Greyish green							
(14)	928 522 087 51	Seat cushion		1				
		Centre						
		Whole-leather						
	928 522 087 51 KZ2	Black						
	928 522 087 51 KZ5	Cadbury brown						
	928 522 087 51 KZ3	Blue						
	928 522 087 51 LG7	Burgundy						
	928 522 087 51 KZ4	Grey-beige	86					
	928 522 087 51 KZ6	Can-can-red						
	928 522 087 51 LG4	Pearl white						
928 522 087 51 LG5	Champagne							
928 522 087 51 LG6	Dark green							
928 522 087 51 QC2	Greyish green							
928 522 087 51 PY9	Ocean blue							
928 522 087 51 PZ1	Wild buffalo							
14	928 522 088 51	Seat cushion		1				
		Centre						
		Whole-leather						
	928 522 088 51 KZ2	Black						
	928 522 088 51 KZ5	Brown						
	928 522 088 51 KZ3	Blue						
	928 522 088 51 LG7	Burgundy						
	928 522 088 51 KZ4	Grey-beige	86					
	928 522 088 51 KZ6	Can-can-red						
	928 522 088 51 LG4	Pearl white						
928 522 088 51 LG5	Champagne							
928 522 088 51 LG6	Dark green							
928 522 088 51 QC2	Greyish green							
928 522 088 51 PY9	Ocean blue							
928 522 088 51 PZ1	Wild buffalo							
(15)	928 522 045 03	Seat cushion	/L	1				
		Upper						
		Pin stripe velour						
	928 522 045 03 7BN	Black-white						
	928 522 045 03 3NN	Brown-beige						
	928 522 045 03 8GJ	Blue-white						
	928 522 045 03 1MJ	Burgundy-white						

Model: STZ Model life 1985>>1998

Pos	Part Number	Description	Remark	Qty	Model
15	928 522 045 03 9FN	Grey-beige-white	86	1	
	928 522 045 03 3JV	Greyish green-white			
	928 522 046 03	Seat cushion	/R		
		Upper			
		Pin stripe velour			
	928 522 046 03 7BN	Black-white			
	928 522 046 03 3NN	Brown-beige			
	928 522 046 03 8GJ	Blue-white			
	928 522 046 03 1MJ	Burgundy-white			
	928 522 046 03 9FN	Grey-beige-white	86		
(15)	928 522 046 03 3JV	Greyish green-white		1	
	928 522 045 03	Seat cushion	/L		
		Upper			
		Porsche lettering cloth			
	928 522 045 03 2CZ	Black			
	928 522 045 03 7NZ	Brown			
	928 522 045 03 6HZ	Blue			
	928 522 045 03 5LZ	Burgundy			
	928 522 045 03 1JK	Greyish green			
	928 522 045 03 5UY	Grey-beige	86		
15	928 522 046 03	Seat cushion	/R	1	
		Upper			
		Porsche lettering cloth			
	928 522 046 03 2CZ	Black			
	928 522 046 03 7NZ	Brown			
	928 522 046 03 6HZ	Blue			
	928 522 046 03 5LZ	Burgundy			
	928 522 046 03 1JK	Greyish green			
	928 522 046 03 5UY	Grey-beige	86		
	(15)	928 522 045 03	Seat cushion		
		Upper			
		Pin stripe flannel			
928 522 045 03 8BF		Anthracite			
928 522 045 03 2TF		Brown			
928 522 045 03 6GF		Blue			
928 522 045 03 1MF		Burgundy			
928 522 045 03 9JF		Greyish green			
928 522 046 03		Seat cushion	/R		
		Upper			
(15)		Pin stripe flannel		1	
	928 522 046 03 8BF	Anthracite			
	928 522 046 03 2TF	Brown			
	928 522 046 03 6GF	Blue			
	928 522 046 03 1MF	Burgundy			
	928 522 046 03 9JF	Greyish green			
	928 522 045 50	Seat cushion	/L		
		Upper			
		Whole-leather			
	928 522 045 50 KZ2	Black			
928 522 045 50 KZ5	Cadbury brown				
928 522 045 50 KZ3	Blue				
928 522 045 50 LG7	Burgundy				
928 522 045 50 KZ4	Grey-beige	86			
928 522 045 50 KZ6	Can-can-red				
928 522 045 50 LG4	Pearl white				
928 522 045 50 LG5	Champagne				
928 522 045 50 LG6	Dark green				
928 522 045 50 QC2	Greyish green				
928 522 045 50 PY9	Ocean blue				
928 522 045 50 PZ1	Wild buffalo				
15	928 522 046 50	Seat cushion	/R	1	
		Upper			
		Whole-leather			

Model: STZ Model life 1985>>1998

Pos	Part Number	Description	Remark	Qty	Model
	928 522 046 50 KZ2	Black			
	928 522 046 50 KZ5	Cadbury brown			
	928 522 046 50 KZ3	Blue			
	928 522 046 50 LG7	Burgundy			
	928 522 046 50 KZ4	Grey-beige	86		
	928 522 046 50 KZ6	Can-can-red			
	928 522 046 50 LG4	Pearl white			
	928 522 046 50 LG5	Champagne			
	928 522 046 50 LG6	Dark green			
	928 522 046 50 QC2	Greyish green			
	928 522 046 50 PY9	Ocean blue			
	928 522 046 50 PZ1	Wild buffalo			
(16)	928 522 041 04	Seat well Outer Leatherette	/L	1	
	928 522 041 04 05T	Black			
	928 522 041 04 4RB	Brown			
	928 522 041 04 1HH	Blue			
	928 522 041 04 3MX	Burgundy			
	928 522 041 04 5FX	Grey-beige	86		
	928 522 041 04 4JX	Greyish green			
16	928 522 042 04	Seat well Outer Leatherette	/R	1	
	928 522 042 04 05T	Black			
	928 522 042 04 4RB	Brown			
	928 522 042 04 1HH	Blue			
	928 522 042 04 3MX	Burgundy			
	928 522 042 04 5FX	Grey-beige	86		
	928 522 042 04 4JX	Greyish green			
(16)	928 522 041 52	Seat well Outer Whole-leather	/L	1	
	928 522 041 52 KZ2	Black			
	928 522 041 52 KZ5	Brown			
	928 522 041 52 KZ3	Blue			
	928 522 041 52 LG7	Burgundy			
	928 522 041 52 KZ4	Grey-beige	86		
	928 522 041 52 KZ6	Can-can-red			
	928 522 041 52 LG4	Pearl white			
	928 522 041 52 LG5	Champagne			
	928 522 041 52 LG6	Dark green			
	928 522 041 52 QC2	Greyish green			
	928 522 041 52 PY9	Ocean blue			
	928 522 041 52 PZ1	Wild buffalo			
16	928 522 042 52	Seat well Outer Whole-leather	/R	1	
	928 522 042 52 KZ2	Black			
	928 522 042 52 KZ5	Brown			
	928 522 042 52 KZ3	Blue			
	928 522 042 52 LG7	Burgundy			
	928 522 042 52 KZ4	Grey-beige	86		
	928 522 042 52 KZ6	Can-can-red			
	928 522 042 52 LG4	Pearl white			
	928 522 042 52 LG5	Champagne			
	928 522 042 52 LG6	Dark green			
	928 522 042 52 QC2	Greyish green			
	928 522 042 52 PY9	Ocean blue			
	928 522 042 52 PZ1	Wild buffalo			
17	928 522 321 02	Bag		2	
	928 522 321 02 70B	Black			
18	928 522 415 03	Rosette		2	

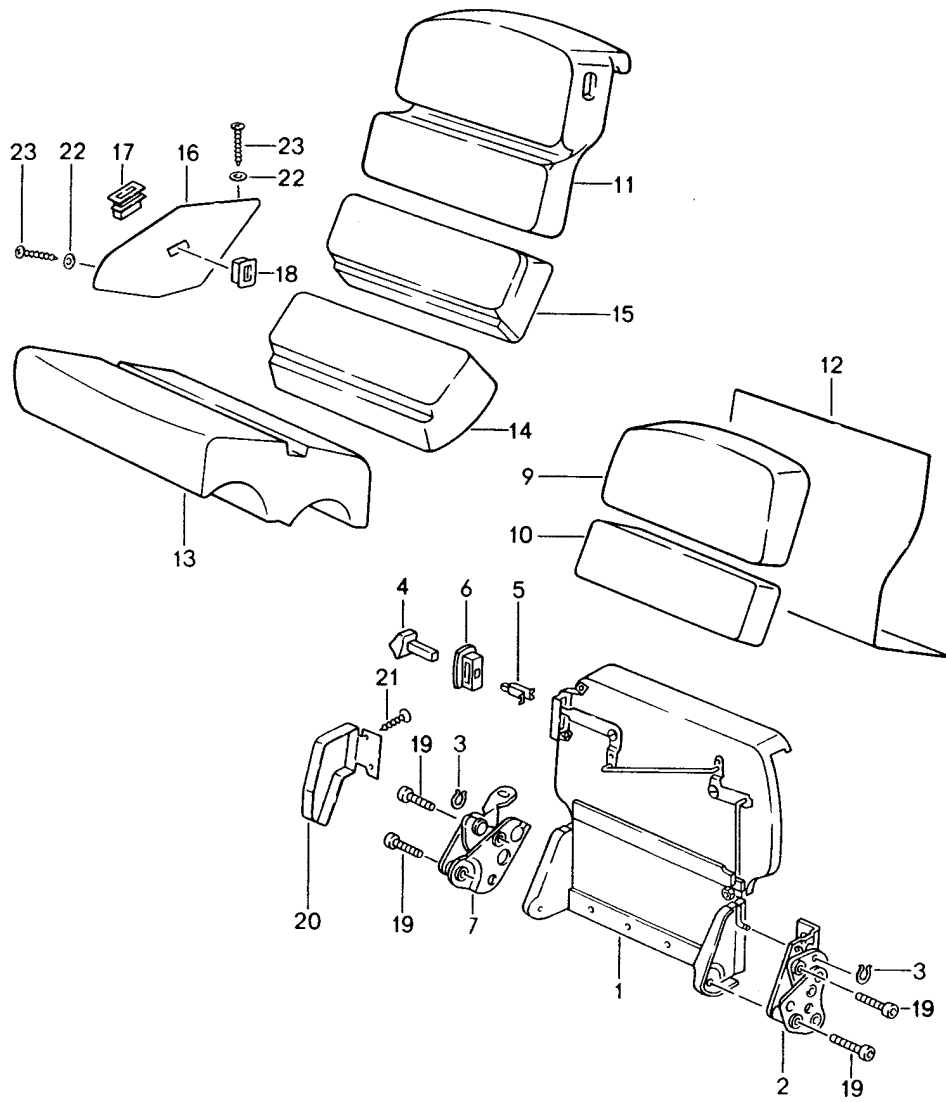
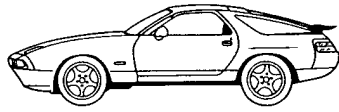
Model: STZ

Model life 1985&gt;&gt;1998

Pos	Part Number	Description	Remark	Qty	Model
19	928 522 415 03 70B 900 119 057 02	Satin black Pan-head screw M 8 X 20		4	

Model: STZ

Model life 1985>>1998



Model: STZ Model life 1985>>1998

Pos	Part Number	Description	Remark	Qty	Model
		Back seat backrest	87- -95		928 S4/GT 928 GTS
1	928 522 023 04	Backrest frame	/L	1	
(1)	928 522 024 04	Backrest frame	/R	1	
2	928 522 085 04	Backrest fittings Outer	/L	1	
(2)	928 522 086 04	Backrest fittings Outer	/R	1	
3	N 012 432 1	Lock washer 2,3		4	
4	911 521 817 00	Control button		2	
	911 521 817 00 01C	Satin black			
5	311 881 247	Clip		2	
6	911 521 815 00	Rosette		2	
	911 521 815 00 01C	Satin black			
7	928 522 085 05	Backrest fittings Inner	/L	1	
(7)	928 522 086 05	Backrest fittings Inner	/R	1	
9	928 522 251 05	Foam part Upper	/L	1	
(9)	928 522 252 05	Foam part Upper	/R	1	
10	928 522 253 04	Foam part Lower	/L	1	
(10)	928 522 254 04	Foam part Lower	/R	1	
11	928 522 037 56	Back seat backrest cover Whole-leather	/L	1	
	928 522 037 56 KZ2	Black	-90		
	928 522 037 56 TV1	Mahogany	-90		
	928 522 037 56 TS1	Marine blue	-90		
	928 522 037 56 LG7	Burgundy	-90		
	928 522 037 56 QC2	Greyish green	-88		
	928 522 037 56 TW1	Linen	-90		
	928 522 037 56 XN4	Cashmere beige	89-90		
	928 522 037 56 LG5	Champagne	-88		
	928 522 037 56 XG1	Plum red	-88		
	928 522 037 56 XG2	Silver-grey	-88		
	928 522 037 56 XG3	Caramel	-90		
	928 522 037 56 XG4	Venetian blue	-90		
	928 522 037 56 XN5	Silk grey	89-90		
	928 522 037 56 XN6	Velvet red	89-90		
	928 522 037 56 XN7	Slate grey	89-90		
	928 522 037 56 ATH	Black	91-		
	928 522 037 56 APL	Classic grey	91-		
	928 522 037 56 ARL	Cobalt blue	91-93		
	928 522 037 56 ASL	Magenta	91-93		
	928 522 037 56 AQL	Light grey	91-93		
	928 522 037 56 ATY	Cashmere beige	91-		
	928 522 037 56 BQB	Marine blue	91-93		
	928 522 037 56 AVF	Matador red	91-93		
	928 522 037 56 AVG	Carrara grey	91-93		
	928 522 037 56 AVH	Sherwood green	91-93		
	928 522 037 56 DBD	Midnight blue	94-		
	928 522 037 56 DCD	Chestnut brown	94-		
	928 522 037 56 DDD	Marble grey	94-		
	928 522 037 56 DEC	Provence blue	94-		
	928 522 037 56 DEE	Cedar green	94-		
	928 522 037 56 DEF	Flamenco red	94-		
(11)	928 522 038 56	Back seat backrest cover Whole-leather	/R	1	
	928 522 038 56 KZ2	Black	-90		

Model: STZ Model life 1985>>1998

Pos	Part Number	Description	Remark	Qty	Model
	928 522 038 56 TV1	Mahogany	-90		
	928 522 038 56 TS1	Marine blue	-90		
	928 522 038 56 LG7	Burgundy	-90		
	928 522 038 56 QC2	Greyish green	-88		
	928 522 038 56 TW1	Linen	-90		
	928 522 038 56 XN4	Cashmere beige	89-90		
	928 522 038 56 LG5	Champagne	-88		
	928 522 038 56 XG1	Plum red	-88		
	928 522 038 56 XG2	Silver-grey	-88		
	928 522 038 56 XG3	Caramel	-90		
	928 522 038 56 XG4	Venetian blue	-90		
	928 522 038 56 XN5	Silk grey	89-90		
	928 522 038 56 XN6	Velvet red	89-90		
	928 522 038 56 XN7	Slate grey	89-90		
	928 522 038 56 ATH	Black	91-		
	928 522 038 56 APL	Classic grey	91-		
	928 522 038 56 ARL	Cobalt blue	91-93		
	928 522 038 56 ASL	Magenta	91-93		
	928 522 038 56 AQL	Light grey	91-93		
	928 522 038 56 ATY	Cashmere beige	91-		
	928 522 038 56 BQB	Marine blue	91-93		
	928 522 038 56 AVF	Matador red	91-93		
	928 522 038 56 AVG	Carrara grey	91-93		
	928 522 038 56 AVH	Sherwood green	91-93		
	928 522 038 56 DBD	Midnight blue	94-		
	928 522 038 56 DCD	Chestnut brown	94-		
	928 522 038 56 DDD	Marble grey	94-		
	928 522 038 56 DEC	Provence blue	94-		
	928 522 038 56 DEE	Cedar green	94-		
	928 522 038 56 DEF	Flamenco red	94-		
(11)	928 522 037 04	Back seat backrest cover Draped leather	/L	1	
	928 522 037 04 KZ2	Black	-90		
	928 522 037 04 TV1	Mahogany	-90		
	928 522 037 04 TS1	Marine blue	-90		
	928 522 037 04 LG7	Burgundy	-90		
	928 522 037 04 QC2	Greyish green	-88		
	928 522 037 04 TW1	Linen	-90		
	928 522 037 04 XN4	Cashmere beige	89-90		
	928 522 037 04 LG5	Champagne	-88		
	928 522 037 04 XG1	Plum red	-88		
	928 522 037 04 XG2	Silver-grey	-88		
	928 522 037 04 XG3	Caramel	-90		
	928 522 037 04 XG4	Venetian blue	-90		
	928 522 037 04 XN5	Silk grey	89-90		
	928 522 037 04 XN6	Velvet red	89-90		
	928 522 037 04 XN7	Slate grey	89-90		
	928 522 037 04 ATH	Black	91-		
	928 522 037 04 APL	Classic grey	91-		
	928 522 037 04 ARL	Cobalt blue	91-93		
	928 522 037 04 ASL	Magenta	91-93		
	928 522 037 04 AQL	Light grey	91-93		
	928 522 037 04 ATY	Cashmere beige	91-		
	928 522 037 04 BQB	Marine blue	91-93		
	928 522 037 04 AVF	Matador red	91-93		
	928 522 037 04 AVG	Carrara grey	91-93		
	928 522 037 04 AVH	Sherwood green	91-93		
	928 522 037 04 DBD	Midnight blue	94-		
	928 522 037 04 DCD	Chestnut brown	94-		
	928 522 037 04 DDD	Marble grey	94-		
	928 522 037 04 DEC	Provence blue	94-		
	928 522 037 04 DEE	Cedar green	94-		
	928 522 037 04 DEF	Flamenco red	94-		

Model: STZ Model life 1985>>1998

Pos	Part Number	Description	Remark	Qty	Model
(11)	928 522 038 04	Back seat backrest cover Draped leather	/R	1	
	928 522 038 04 KZ2	Black	-90		
	928 522 038 04 TV1	Mahogany	-90		
	928 522 038 04 TS1	Marine blue	-90		
	928 522 038 04 LG7	Burgundy	-90		
	928 522 038 04 QC2	Greyish green	-88		
	928 522 038 04 TW1	Linen	-90		
	928 522 038 04 XN4	Cashmere beige	89-90		
	928 522 038 04 LG5	Champagne	-88		
	928 522 038 04 XG1	Plum red	-88		
	928 522 038 04 XG2	Silver-grey	-88		
	928 522 038 04 XG3	Caramel	-90		
	928 522 038 04 XG4	Venetian blue	-90		
	928 522 038 04 XN5	Silk grey	89-90		
	928 522 038 04 XN6	Velvet red	89-90		
	928 522 038 04 XN7	Slate grey	89-90		
	928 522 038 04 ATH	Black	91-		
	928 522 038 04 APL	Classic grey	91-		
	928 522 038 04 ARL	Cobalt blue	91-93		
	928 522 038 04 ASL	Magenta	91-93		
	928 522 038 04 AQL	Light grey	91-93		
	928 522 038 04 ATY	Cashmere beige	91-		
	928 522 038 04 BQB	Marine blue	91-93		
	928 522 038 04 AVF	Matador red	91-93		
	928 522 038 04 AVG	Carrara grey	91-93		
	928 522 038 04 AVH	Sherwood green	91-93		
	928 522 038 04 DBD	Midnight blue	94-		
	928 522 038 04 DCD	Chestnut brown	94-		
	928 522 038 04 DDD	Marble grey	94-		
	928 522 038 04 DEC	Provence blue	94-		
	928 522 038 04 DEE	Cedar green	94-		
	928 522 038 04 DEF	Flamenco red	94-		
11	928 522 037 57	Back seat backrest cover Leather/ Pin stripe velour	/L	1	
	928 522 037 57 LS5	Black/ Black-white	-90 -90		
	928 522 037 57 TU1	Mahogany/ Mahogany-white	-90 -90		
	928 522 037 57 TR1	Blue/ Blue-white	-90 -90		
	928 522 037 57 LS9	Burgundy/ Burgundy-white	-90 -90		
	928 522 037 57 QA7	Greyish green/ Greyish green-white	-88 -88		
	928 522 037 57 XF5	Linen/ Linen white	89-90 89-90		
	928 522 037 57 XF8	Cashmere beige/ Cashmere beige-white	89-90 89-90		
(11)	928 522 038 57	Back seat backrest cover Leather/ Pin stripe velour	/R	1	
	928 522 038 57 LS5	Black/ Black-white	-90 -90		
	928 522 038 57 TU1	Mahogany-white Mahogany-white	-90 -90		
	928 522 038 57 TR1	Blue/ Blue-white	-90 -90		
	928 522 038 57 LS9	Burgundy/ Burgundy-white	-90 -90		
	928 522 038 57 QA7	Greyish green/ Greyish green-white	-88 -88		



Model: STZ Model life 1985>>1998

Pos	Part Number	Description	Remark	Qty	Model
	928 522 038 57 XF5	Linen white	89-90		
		Linen white	89-90		
	928 522 038 57 XF8	Cashmere beige-white	89-90		
		Cashmere beige-white	89-90		
11	928 522 037 57	Back seat backrest cover	/L	1	
		Leather/			
		Multicolour	89-		
	928 522 037 57 XG6	Black/black	-90		
	928 522 037 57 XG7	Mahogany/mahogany	-90		
	928 522 037 57 XG8	Marine blue/marine blue	-90		
	928 522 037 57 XG9	Burgundy/burgundy	-90		
	928 522 037 57 XF7	Linen/linen	-90		
	928 522 037 57 XG5	Cashmere beige/cash. beige	-90		
	928 522 037 57 ATJ	Black/black	91-93		
	928 522 037 57 AQT	Classic grey/classic grey	91-93		
	928 522 037 57 AQU	Cobalt blue/cobalt blue	91-93		
	928 522 037 57 ASJ	Magenta/Magenta	91-93		
	928 522 037 57 AQJ	Light grey/light grey	91-93		
	928 522 037 57 ATW	Cashmere beige/cash. beige	91-93		
	928 522 037 57 BQJ	Marine blue/marine blue	91-93		
(11)	928 522 038 57	Back seat backrest cover	/R	1	
		Leather/			
		Multicolour	89-		
	928 522 038 57 XG6	Black/black	-90		
	928 522 038 57 XG7	Mahogany/mahogany	-90		
	928 522 038 57 XG8	Marine blue/blue	-90		
	928 522 038 57 XG9	Burgundy/burgundy	-90		
	928 522 038 57 XF7	Linen/linen	-90		
	928 522 038 57 XG5	Cashmere beige/cash. beige	-90		
	928 522 038 57 ATJ	Black/black	91-93		
	928 522 038 57 AQT	Classic grey/classic grey	91-93		
	928 522 038 57 AQU	Cobalt blue/cobalt blue	91-93		
	928 522 038 57 ASJ	Magenta/Magenta	91-93		
	928 522 038 57 AQJ	Light grey/light grey	91-93		
	928 522 038 57 ATW	Cashmere beige/cash. beige	91-93		
	928 522 038 57 BQJ	Marine blue/marine blue	91-93		
11	928 522 037 57	Back seat backrest cover	/L	1	
		Leather/			
		Pin stripe flannel	-88		
	928 522 037 57 QB1	Black/anthracite			
	928 522 037 57 TU2	Mahogany/mahogany			
	928 522 037 57 TR2	Marine blue/blue			
	928 522 037 57 QB7	Burgundy/burgundy			
	928 522 037 57 QA8	Greyish green/grey-green			
(11)	928 522 038 57	Back seat backrest cover	/R	1	
		Leather/			
		Pin stripe flannel	-88		
	928 522 038 57 QB1	Black/anthracite			
	928 522 038 57 TU2	Mahogany/mahogany			
	928 522 038 57 TR2	Marine blue/blue			
	928 522 038 57 QB7	Burgundy/burgundy			
	928 522 038 57 QA8	Greyish green/grey-green			
11	928 522 037 57	Back seat backrest cover	/L	1	
		Leather/			
		Porsche lettering cloth			
	928 522 037 57 QB2	Black/black	-90		
	928 522 037 57 TU3	Mahogany/mahogany	-90		
	928 522 037 57 TR3	Marine blue/blue	-90		
	928 522 037 57 QB8	Burgundy/burgundy	-90		
	928 522 037 57 QA9	Greyish green/grey-green	-88		
	928 522 037 57 XF6	Linen/linen	89-90		
	928 522 037 57 XF9	Cashmere beige/cash. beige	89-90		
	928 522 037 57 ATD	Black/black	91-		

Model: STZ Model life 1985>>1998

Pos	Part Number	Description	Remark	Qty	Model
	928 522 037 57 APG	Classic grey/classic grey	91-		
	928 522 037 57 ARG	Cobalt blue/cobalt blue	91-93		
	928 522 037 57 ASG	Magenta/Magenta	91-93		
	928 522 037 57 AQG	Light grey/light grey	91-93		
	928 522 037 57 ATU	Cashmere beige/cash. beige	91-		
	928 522 037 57 BQL	Marine blue/blue	91-93		
	928 522 037 57 DBB	Midnight bl./midnight blue	94-		
	928 522 037 57 DCB	Chestnut brown/ Chestnut brown	94- 94-		
(11)	928 522 037 57 DDB	Marble grey/marble grey	94-		
	928 522 038 57	Back seat backrest cover Leather/ Porsche lettering cloth	/R	1	
	928 522 038 57 QB2	Black/black	-90		
	928 522 038 57 TU3	Mahogany/mahogany	-90		
	928 522 038 57 TR3	Marine blue/blue	-90		
	928 522 038 57 QB8	Burgundy/burgundy	-90		
	928 522 038 57 QA9	Greyish green/grey-green	-88		
	928 522 038 57 XF6	Linen/linen	89-90		
	928 522 038 57 XF9	Cashmere beige/cash. beige	89-90		
	928 522 038 57 ATD	Black/black	91-		
	928 522 038 57 APG	Classic grey/classic grey	91-		
	928 522 038 57 ARG	Cobalt blue/cobalt blue	91-93		
	928 522 038 57 ASG	Magenta/Magenta	91-93		
	928 522 038 57 AQG	Light grey/light grey	91-93		
	928 522 038 57 ATU	Cashmere beige/cash. beige	91-		
	928 522 038 57 BQL	Marine blue/blue	91-93		
	928 522 038 57 DBB	Midnight bl./midnight blue	94-		
	928 522 038 57 DCB	Chestnut brown/ Chestnut brown	94- 94-		
12	928 522 038 57 DDB	Marble grey/marble grey	94-		
	928 522 051 05	Carpet for Back seat backrest	/L	1	
	928 522 051 05 70E	Black	-88		
	928 522 051 05 5MF	Mahogany	-90		
	928 522 051 05 3KF	Marine blue	-88		
	928 522 051 05 80E	Burgundy	-88		
	928 522 051 05 8JK	Greyish green	-88		
	928 522 051 05 1VD	Champagne	-88		
	928 522 051 05 2XF	Linen	-90		
	928 522 051 05 4MM	Plum red	-88		
	928 522 051 05 7VM	Silver-grey	-88		
	928 522 051 05 5UM	Caramel	-90		
	928 522 051 05 3KM	Venetian blue	-90		
	928 522 051 05 5FV	Black	89-		
	928 522 051 05 4KV	Marine blue	89-90		
	928 522 051 05 8MD	Burgundy	89-90		
	928 522 051 05 8UT	Cashmere beige	89-		
	928 522 051 05 9MT	Velvet red	89-90		
	928 522 051 05 7VT	Silk grey	89-90		
	928 522 051 05 3WT	Slate grey	89-90		
	928 522 051 05 4XR	Classic grey	91-		
	928 522 051 05 4ZN	Cobalt blue	91-93		
	928 522 051 05 8WZ	Magenta	91-93		
	928 522 051 05 6YR	Light grey	91-93		
	928 522 051 05 M33	Matador red	91-93		
	928 522 051 05 D13	Carrara grey	91-93		
	928 522 051 05 J23	Sherwood green	91-93		
	928 522 051 05 3GE	Midnight blue	94-		
	928 522 051 05 6SC	Chestnut brown	94-		
	928 522 051 05 D50	Marble grey	94-		
	928 522 051 05 1HQ	Provence blue	94-		

Model: STZ Model life 1985>>1998

Pos	Part Number	Description	Remark	Qty	Model			
(12)	928 522 051 05 2JP	Cedar green	94-	1				
	928 522 051 05 3TE	Flamenco red	94-					
	928 522 052 05	Carpet for Back seat backrest	/R					
	928 522 052 05 70E	Black	-88					
	928 522 052 05 5MF	Mahogany	-90					
	928 522 052 05 3KF	Marine blue	-88					
	928 522 052 05 80E	Burgundy	-88					
	928 522 052 05 8JK	Greyish green	-88					
	928 522 052 05 1VD	Champagne	-88					
	928 522 052 05 2XF	Linen	-90					
	928 522 052 05 4MM	Plum red	-88					
	928 522 052 05 7VM	Silver-grey	-88					
	928 522 052 05 5UM	Caramel	-90					
	928 522 052 05 3KM	Venetian blue	-90					
	928 522 052 05 5FV	Black	89-					
	928 522 052 05 4KV	Marine blue	89-90					
	928 522 052 05 8MD	Burgundy	89-90					
	928 522 052 05 8UT	Cashmere beige	89-					
	928 522 052 05 9MT	Velvet red	89-90					
	928 522 052 05 7VT	Silk grey	89-90					
	928 522 052 05 3WT	Slate grey	89-90					
	928 522 052 05 4XR	Classic grey	91-					
	928 522 052 05 4ZN	Cobalt blue	91-93					
	928 522 052 05 8WZ	Magenta	91-93					
	928 522 052 05 6YR	Light grey	91-93					
	928 522 052 05 M33	Matador red	91-93					
	928 522 052 05 D13	Carrara grey	91-93					
928 522 052 05 J23	Sherwood green	91-93						
928 522 052 05 3GE	Midnight blue	94-						
928 522 052 05 6SC	Chestnut brown	94-						
928 522 052 05 D50	Marble grey	94-						
928 522 052 05 1HQ	Provence blue	94-						
928 522 052 05 2JP	Cedar green	94-						
928 522 052 05 3TE	Flamenco red	94-						
13	928 522 059 04	Seat cushion Front Pin stripe velour	/L	1				
	928 522 059 04 7BN	Black-white	-90					
	928 522 059 04 6LN	Mahogany-white	-90					
	928 522 059 04 8GJ	Blue-white	-90					
	928 522 059 04 1MJ	Burgundy-white	-90					
	928 522 059 04 3JV	Greyish green-white	-88					
	928 522 059 04 4WJ	Linen	89-90					
	928 522 059 04 4TN	Cashmere beige	89-90					
	(13)	928 522 060 05	Seat cushion Front Pin stripe velour			/R	1	
		928 522 060 05 7BN	Black-white			-90		
		928 522 060 05 6LN	Mahogany-white			-90		
		928 522 060 05 8GJ	Blue-white			-90		
		928 522 060 05 1MJ	Burgundy-white			-90		
928 522 060 05 3JV		Greyish green-white	-88					
928 522 060 05 4WJ		Linen	89-90					
928 522 060 05 4TN		Cashmere beige	89-90					
13		928 522 059 04	Seat cushion Front Porsche lettering cloth	/L	1			
		928 522 059 04 2CZ	Black					
	928 522 059 04 4MR	Mahogany	-90					
	928 522 059 04 6HZ	Blue	-90					
	928 522 059 04 5LZ	Burgundy	-90					

Model: STZ Model life 1985>>1998

Pos	Part Number	Description	Remark	Qty	Model
	928 522 059 04 5WZ	Linen	89-90		
	928 522 059 04 7TH	Cashmere beige	89-		
	928 522 059 04 1JK	Greyish green	-88		
	928 522 059 04 6WC	Classic grey	91-		
	928 522 059 04 7ZK	Cobalt blue	91-93		
	928 522 059 04 9YC	Magenta	91-93		
	928 522 059 04 2ZV	Light grey	91-93		
	928 522 059 04 4GP	Midnight blue	94-		
	928 522 059 04 7SA	Chestnut brown	94-		
	928 522 059 04 9BE	Marble grey	94-		
(13)	928 522 060 05	Seat cushion Front Porsche lettering cloth	/R	1	
	928 522 060 05 2CZ	Black			
	928 522 060 05 4MR	Mahogany	-90		
	928 522 060 05 6HZ	Blue	-90		
	928 522 060 05 5LZ	Burgundy	-90		
	928 522 060 05 5WZ	Linen	89-90		
	928 522 060 05 7TH	Cashmere beige	89-		
	928 522 060 05 1JK	Greyish green	-88		
	928 522 060 05 6WC	Classic grey	91-		
	928 522 060 05 7ZK	Cobalt blue	91-93		
	928 522 060 05 9YC	Magenta	91-93		
	928 522 060 05 2ZV	Light grey	91-93		
	928 522 060 05 4GP	Midnight blue	94-		
	928 522 060 05 7SA	Chestnut brown	94-		
	928 522 060 05 9BE	Marble grey	94-		
13	928 522 059 04	Seat cushion Front Multicolour	/L	1	
	928 522 059 04 2VV	Black	89-93		
	928 522 059 04 8XV	Mahogany	-90		
	928 522 059 04 9JV	Marine blue	-90		
	928 522 059 04 1MV	Burgundy	-90		
	928 522 059 04 6UV	Linen	-90		
	928 522 059 04 5TC	Cashmere beige	89-93		
	928 522 059 04 9WT	Classic grey	91-93		
	928 522 059 04 9YD	Cobalt blue	91-93		
	928 522 059 04 1MV	Magenta	91-93		
	928 522 059 04 6UV	Light grey	91-93		
(13)	928 522 060 05	Seat cushion Front Multicolour	/R	1	
	928 522 060 05 2VV	Black	89-93		
	928 522 060 05 8XV	Mahogany	-90		
	928 522 060 05 9JV	Marine blue	-90		
	928 522 060 05 1MV	Burgundy	-90		
	928 522 060 05 6UV	Linen	-90		
	928 522 060 05 5TC	Cashmere beige	89-93		
	928 522 060 05 9WT	Classic grey	91-93		
	928 522 060 05 9YD	Cobalt blue	91-93		
	928 522 060 05 1MV	Magenta	91-93		
	928 522 060 05 6UV	Light grey	91-93		
13	928 522 059 04	Seat cushion Front Pin stripe flannel	/L	1	
	928 522 059 04 8BF	Anthracite	-88		
	928 522 059 04 9LF	Mahogany	-88		
	928 522 059 04 6GF	Blue	-88		
	928 522 059 04 1MF	Burgundy	-88		
	928 522 059 04 9JF	Greyish green	-88		
(13)	928 522 060 05	Seat cushion Front	/R	1	

Model: STZ Model life 1985>>1998

Pos	Part Number	Description	Remark	Qty	Model
		Pin stripe flannel	-88		
	928 522 060 05 8BF	Anthracite	-88		
	928 522 060 05 9LF	Mahogany	-88		
	928 522 060 05 6GF	Blue	-88		
	928 522 060 05 1MF	Burgundy	-88		
	928 522 060 05 9JF	Greyish green	-88		
13	928 522 059 51	Seat cushion	/L	1	
		Front			
		Whole-leather			
	928 522 059 51 KZ2	Black	-90		
	928 522 059 51 TV1	Mahogany	-90		
	928 522 059 51 TS1	Marine blue	-90		
	928 522 059 51 LG7	Burgundy	-90		
	928 522 059 51 TW1	Linen	-90		
	928 522 059 51 XN4	Cashmere beige	89-90		
	928 522 059 51 LG5	Champagne	-88		
	928 522 059 51 QC2	Greyish green	-88		
	928 522 059 51 UD3	Plum red	-88		
	928 522 059 51 UD4	Silver-grey	-88		
	928 522 059 51 UD5	Caramel	-90		
	928 522 059 51 UD6	Venetian blue	-90		
	928 522 059 51 XN5	Silk grey	89-90		
	928 522 059 51 XN6	Velvet red	89-90		
	928 522 059 51 XN7	Slate grey	89-90		
	928 522 059 51 ATH	Black	91-		
	928 522 059 51 APL	Classic grey	91-		
	928 522 059 51 ARL	Cobalt blue	91-93		
	928 522 059 51 ASL	Magenta	91-93		
	928 522 059 51 AQL	Light grey	91-93		
	928 522 059 51 ATY	Cashmere beige	91-		
	928 522 059 51 BQB	Marine blue	91-93		
	928 522 059 51 AVF	Matador red	91-93		
	928 522 059 51 AVG	Carrara grey	91-93		
	928 522 059 51 AVH	Sherwood green	91-93		
	928 522 059 51 DBD	Midnight blue	94-		
	928 522 059 51 DCD	Chestnut brown	94-		
	928 522 059 51 DDD	Marble grey	94-		
	928 522 059 51 DEC	Provence blue	94-		
	928 522 059 51 DEE	Cedar green	94-		
	928 522 059 51 DEF	Flamenco red	94-		
(13)	928 522 060 52	Seat cushion	/R	1	
		Front			
		Whole-leather			
	928 522 060 52 KZ2	Black	-90		
	928 522 060 52 TV1	Mahogany	-90		
	928 522 060 52 TS1	Marine blue	-90		
	928 522 060 52 LG7	Burgundy	-90		
	928 522 060 52 TW1	Linen	-90		
	928 522 060 52 XN4	Cashmere beige	89-90		
	928 522 060 52 LG5	Champagne	-88		
	928 522 060 52 QC2	Greyish green	-88		
	928 522 060 52 UD3	Plum red	-88		
	928 522 060 52 UD4	Silver-grey	-88		
	928 522 060 52 UD5	Caramel	-90		
	928 522 060 52 UD6	Venetian blue	-90		
	928 522 060 52 XN5	Silk grey	89-90		
	928 522 060 52 XN6	Velvet red	89-90		
	928 522 060 52 XN7	Slate grey	89-90		
	928 522 060 52 ATH	Black	91-		
	928 522 060 52 APL	Classic grey	91-		
	928 522 060 52 ARL	Cobalt blue	91-93		
	928 522 060 52 ASL	Magenta	91-93		
	928 522 060 52 AQL	Light grey	91-93		

Model: STZ Model life 1985>>1998

Pos	Part Number	Description	Remark	Qty	Model
13	928 522 060 52 ATY	Cashmere beige	91-	1	
	928 522 060 52 BQB	Marine blue	91-93		
	928 522 060 52 AVF	Matador red	91-93		
	928 522 060 52 AVG	Carrara grey	91-93		
	928 522 060 52 AVH	Sherwood green	91-93		
	928 522 060 52 DBD	Midnight blue	94-		
	928 522 060 52 DCD	Chestnut brown	94-		
	928 522 060 52 DDD	Marble grey	94-		
	928 522 060 52 DEC	Provence blue	94-		
	928 522 060 52 DEE	Cedar green	94-		
	928 522 060 52 DEF	Flamenco red	94-		
	928 522 059 06	Seat cushion Front Draped leather			
	928 522 059 06 KZ2	Black	-90		
	928 522 059 06 TV1	Mahogany	-90		
	928 522 059 06 TS1	Marine blue	-90		
	928 522 059 06 LG7	Burgundy	-90		
	928 522 059 06 TW1	Linen	-90		
	928 522 059 06 XN4	Cashmere beige	89-90		
	928 522 059 06 LG5	Champagne	-88		
	928 522 059 06 QC2	Greyish green	-88		
	928 522 059 06 UD3	Plum red	-88		
	928 522 059 06 UD4	Silver-grey	-88		
	928 522 059 06 UD5	Caramel	-90		
	928 522 059 06 UD6	Venetian blue	-90		
	928 522 059 06 XN5	Silk grey	89-90		
	928 522 059 06 XN6	Velvet red	89-90		
	928 522 059 06 XN7	Slate grey	89-90		
928 522 059 06 ATH	Black	91-			
928 522 059 06 APL	Classic grey	91-			
928 522 059 06 ARL	Cobalt blue	91-93			
928 522 059 06 ASL	Magenta	91-93			
928 522 059 06 AQL	Light grey	91-93			
928 522 059 06 ATY	Cashmere beige	91-			
928 522 059 06 BQB	Marine blue	91-93			
928 522 059 06 AVF	Matador red	91-93			
928 522 059 06 AVG	Carrara grey	91-93			
928 522 059 06 AVH	Sherwood green	91-93			
928 522 059 06 DBD	Midnight blue	94-			
928 522 059 06 DCD	Chestnut brown	94-			
928 522 059 06 DDD	Marble grey	94-			
928 522 059 06 DEC	Provence blue	94-			
928 522 059 06 DEE	Cedar green	94-			
928 522 059 06 DEF	Flamenco red	94-			
(13) 928 522 060 06	Seat cushion Front Draped leather				
928 522 060 06 KZ2	Black	-90			
928 522 060 06 TV1	Mahogany	-90			
928 522 060 06 TS1	Marine blue	-90			
928 522 060 06 LG7	Burgundy	-90			
928 522 060 06 TW1	Linen	-90			
928 522 060 06 XN4	Cashmere beige	89-90			
928 522 060 06 LG5	Champagne	-88			
928 522 060 06 QC2	Greyish green	-88			
928 522 060 06 UD3	Plum red	-88			
928 522 060 06 UD4	Silver-grey	-88			
928 522 060 06 UD5	Caramel	-90			
928 522 060 06 UD6	Venetian blue	-90			
928 522 060 06 XN5	Silk grey	89-90			
928 522 060 06 XN6	Velvet red	89-90			
928 522 060 06 XN7	Slate grey	89-90			

Model: STZ Model life 1985>>1998

Pos	Part Number	Description	Remark	Qty	Model
	928 522 060 06 ATH	Black	91-		
	928 522 060 06 APL	Classic grey	91-		
	928 522 060 06 ARL	Cobalt blue	91-93		
	928 522 060 06 ASL	Magenta	91-93		
	928 522 060 06 AQL	Light grey	91-93		
	928 522 060 06 ATY	Cashmere beige	91-		
	928 522 060 06 BQB	Marine blue	91-93		
	928 522 060 06 AVF	Matador red	91-93		
	928 522 060 06 AVG	Carrara grey	91-93		
	928 522 060 06 AVH	Sherwood green	91-93		
	928 522 060 06 DBD	Midnight blue	94-		
	928 522 060 06 DCD	Chestnut brown	94-		
	928 522 060 06 DDD	Marble grey	94-		
	928 522 060 06 DEC	Provence blue	94-		
	928 522 060 06 DEE	Cedar green	94-		
	928 522 060 06 DEF	Flamenco red	94-		
14	928 522 087 04	Seat cushion Centre Pin stripe velour	/L	1	
	928 522 087 04 7BN	Black-white	-90		
	928 522 087 04 6LN	Mahogany-white	-90		
	928 522 087 04 8GJ	Blue-white	-90		
	928 522 087 04 1MJ	Burgundy-white	-90		
	928 522 087 04 4WJ	Linen	89-90		
	928 522 087 04 4TN	Cashmere beige	89-90		
(14)	928 522 087 04 3JV	Greyish green-white	-88		
	928 522 088 04	Seat cushion Centre Pin stripe velour	/R	1	
	928 522 088 04 7BN	Black-white	-90		
	928 522 088 04 6LN	Mahogany-white	-90		
	928 522 088 04 8GJ	Blue-white	-90		
	928 522 088 04 1MJ	Burgundy-white	-90		
	928 522 088 04 4WJ	Linen	89-90		
	928 522 088 04 4TN	Cashmere beige	89-90		
	928 522 088 04 3JV	Greyish green-white	-88		
14	928 522 087 04	Seat cushion Centre Porsche lettering cloth	/L	1	
	928 522 087 04 2CZ	Black			
	928 522 087 04 4MR	Mahogany	-90		
	928 522 087 04 6HZ	Blue	-90		
	928 522 087 04 5LZ	Burgundy	-90		
	928 522 087 04 5WZ	Linen	89-90		
	928 522 087 04 7TH	Cashmere beige	89-		
	928 522 087 04 1JK	Greyish green	-88		
	928 522 087 04 6WC	Classic grey	91-		
	928 522 087 04 7ZK	Cobalt blue	91-93		
	928 522 087 04 9YC	Magenta	91-93		
	928 522 087 04 2ZV	Light grey	91-93		
	928 522 087 04 4GP	Midnight blue	94-		
	928 522 087 04 7SA	Chestnut brown	94-		
	928 522 087 04 9BE	Marble grey	94-		
(14)	928 522 088 04	Seat cushion Centre Porsche lettering cloth	/R	1	
	928 522 088 04 2CZ	Black			
	928 522 088 04 4MR	Mahogany	-90		
	928 522 088 04 6HZ	Blue	-90		
	928 522 088 04 5LZ	Burgundy	-90		
	928 522 088 04 5WZ	Linen	89-90		
	928 522 088 04 7TH	Cashmere beige	89-		
	928 522 088 04 1JK	Greyish green	-88		

Model: STZ Model life 1985>>1998

Pos	Part Number	Description	Remark	Qty	Model
	928 522 088 04 6WC	Classic grey	91-		
	928 522 088 04 7ZK	Cobalt blue	91-93		
	928 522 088 04 9YC	Magenta	91-93		
	928 522 088 04 2ZV	Light grey	91-93		
	928 522 088 04 4GP	Midnight blue	94-		
	928 522 088 04 7SA	Chestnut brown	94-		
	928 522 088 04 9BE	Marble grey	94-		
14	928 522 087 04	Seat cushion Centre Multicolour	/L  89-	1	
	928 522 087 04 2VV	Black	-93		
	928 522 087 04 8XV	Mahogany	-90		
	928 522 087 04 9JV	Marine blue	-93		
	928 522 087 04 1MV	Burgundy	-90		
	928 522 087 04 6UV	Linen	-90		
	928 522 087 04 5TC	Cashmere beige	-93		
	928 522 087 04 9WT	Classic grey	91-93		
	928 522 087 04 9YD	Cobalt blue	91-93		
	928 522 087 04 1MV	Magenta	91-93		
	928 522 087 04 6UV	Light grey	91-93		
(14)	928 522 088 04	Seat cushion Centre Multicolour	/R  89-	1	
	928 522 088 04 2VV	Black	-93		
	928 522 088 04 8XV	Mahogany	-90		
	928 522 088 04 9JV	Marine blue	-93		
	928 522 088 04 1MV	Burgundy	-90		
	928 522 088 04 6UV	Linen	-90		
	928 522 088 04 5TC	Cashmere beige	-93		
	928 522 088 04 9WT	Classic grey	91-93		
	928 522 088 04 9YD	Cobalt blue	91-93		
	928 522 088 04 1MV	Magenta	91-93		
	928 522 088 04 6UV	Light grey	91-93		
14	928 522 087 04	Seat cushion Centre Pin stripe flannel	/L  -88	1	
	928 522 087 04 8BF	Anthracite			
	928 522 087 04 9LF	Mahogany			
	928 522 087 04 6GF	Blue			
	928 522 087 04 1MF	Burgundy			
	928 522 087 04 9JF	Greyish green			
(14)	928 522 088 04	Seat cushion Centre Pin stripe flannel	/R  -88	1	
	928 522 088 04 8BF	Anthracite			
	928 522 088 04 9LF	Mahogany			
	928 522 088 04 6GF	Blue			
	928 522 088 04 1MF	Burgundy			
	928 522 088 04 9JF	Greyish green			
14	928 522 087 51	Seat cushion Centre Whole-leather	/L  	1	
	928 522 087 51 KZ2	Black	-90		
	928 522 087 51 TV1	Mahogany	-90		
	928 522 087 51 TS1	Marine blue	-90		
	928 522 087 51 LG7	Burgundy	-90		
	928 522 087 51 TW1	Linen	-90		
	928 522 087 51 XN4	Cashmere beige	89-90		
	928 522 087 51 LG5	Champagne	-88		
	928 522 087 51 QC2	Greyish green	-88		
	928 522 087 51 UD3	Plum red	-88		
	928 522 087 51 UD4	Silver-grey	-88		
	928 522 087 51 UD5	Caramel	-90		



Model: STZ Model life 1985>>1998

Pos	Part Number	Description	Remark	Qty	Model
	928 522 087 51 UD6	Venetian blue	-90		
	928 522 087 51 XN5	Silk grey	89-90		
	928 522 087 51 XN6	Velvet red	89-90		
	928 522 087 51 XN7	Slate grey	89-90		
	928 522 087 51 ATH	Black	91-		
	928 522 087 51 APL	Classic grey	91-		
	928 522 087 51 ARL	Cobalt blue	91-93		
	928 522 087 51 ASL	Magenta	91-93		
	928 522 087 51 AQL	Light grey	91-93		
	928 522 087 51 ATY	Cashmere beige	91-		
	928 522 087 51 BQB	Marine blue	91-93		
	928 522 087 51 AVF	Matador red	91-93		
	928 522 087 51 AVG	Carrara grey	91-93		
	928 522 087 51 AVH	Sherwood green	91-93		
	928 522 087 51 DBD	Midnight blue	94-		
	928 522 087 51 DCD	Chestnut brown	94-		
	928 522 087 51 DDD	Marble grey	94-		
	928 522 087 51 DEC	Provence blue	94-		
	928 522 087 51 DEE	Cedar green	94-		
	928 522 087 51 DEF	Flamenco red	94-		
(14)	928 522 088 51	Seat cushion Centre Whole-leather	/R	1	
	928 522 088 51 KZ2	Black	-90		
	928 522 088 51 TV1	Mahogany	-90		
	928 522 088 51 TS1	Marine blue	-90		
	928 522 088 51 LG7	Burgundy	-90		
	928 522 088 51 TW1	Linen	-90		
	928 522 088 51 XN4	Cashmere beige	89-90		
	928 522 088 51 LG5	Champagne	-88		
	928 522 088 51 QC2	Greyish green	-88		
	928 522 088 51 UD3	Plum red	-88		
	928 522 088 51 UD4	Silver-grey	-88		
	928 522 088 51 UD5	Caramel	-90		
	928 522 088 51 UD6	Venetian blue	-90		
	928 522 088 51 XN5	Silk grey	89-90		
	928 522 088 51 XN6	Velvet red	89-90		
	928 522 088 51 XN7	Slate grey	89-90		
	928 522 088 51 ATH	Black	91-		
	928 522 088 51 APL	Classic grey	91-		
	928 522 088 51 ARL	Cobalt blue	91-93		
	928 522 088 51 ASL	Magenta	91-93		
	928 522 088 51 AQL	Light grey	91-93		
	928 522 088 51 ATY	Cashmere beige	91-		
	928 522 088 51 BQB	Marine blue	91-93		
	928 522 088 51 AVF	Matador red	91-93		
	928 522 088 51 AVG	Carrara grey	91-93		
	928 522 088 51 AVH	Sherwood green	91-93		
	928 522 088 51 DBD	Midnight blue	94-		
	928 522 088 51 DCD	Chestnut brown	94-		
	928 522 088 51 DDD	Marble grey	94-		
	928 522 088 51 DEC	Provence blue	94-		
	928 522 088 51 DEE	Cedar green	94-		
	928 522 088 51 DEF	Flamenco red	94-		
14	928 522 087 05	Seat cushion Centre Draped leather	/L	1	
	928 522 087 05 KZ2	Black	-90		
	928 522 087 05 TV1	Mahogany	-90		
	928 522 087 05 TS1	Marine blue	-90		
	928 522 087 05 LG7	Burgundy	-90		
	928 522 087 05 TW1	Linen	-90		
	928 522 087 05 XN4	Cashmere beige	89-90		

Model: STZ Model life 1985>>1998

Pos	Part Number	Description	Remark	Qty	Model
	928 522 087 05 LG5	Champagne	-88		
	928 522 087 05 QC2	Greyish green	-88		
	928 522 087 05 UD3	Plum red	-88		
	928 522 087 05 UD4	Silver-grey	-88		
	928 522 087 05 UD5	Caramel	-90		
	928 522 087 05 UD6	Venetian blue	-90		
	928 522 087 05 XN5	Silk grey	89-90		
	928 522 087 05 XN6	Velvet red	89-90		
	928 522 087 05 XN7	Slate grey	89-90		
	928 522 087 05 ATH	Black	91-		
	928 522 087 05 APL	Classic grey	91-		
	928 522 087 05 ARL	Cobalt blue	91-93		
	928 522 087 05 ASL	Magenta	91-93		
	928 522 087 05 AQL	Light grey	91-93		
	928 522 087 05 ATY	Cashmere beige	91-		
	928 522 087 05 BQB	Marine blue	91-93		
	928 522 087 05 AVF	Matador red	91-93		
	928 522 087 05 AVG	Carrara grey	91-93		
	928 522 087 05 AVH	Sherwood green	91-93		
	928 522 087 05 DBD	Midnight blue	94-		
	928 522 087 05 DCD	Chestnut brown	94-		
	928 522 087 05 DDD	Marble grey	94-		
	928 522 087 05 DEC	Provence blue	94-		
	928 522 087 05 DEE	Cedar green	94-		
	928 522 087 05 DEF	Flamenco red	94-		
(14)	928 522 088 05	Seat cushion Centre Draped leather	/R	1	
	928 522 088 05 KZ2	Black	-90		
	928 522 088 05 TV1	Mahogany	-90		
	928 522 088 05 TS1	Marine blue	-90		
	928 522 088 05 LG7	Burgundy	-90		
	928 522 088 05 TW1	Linen	-90		
	928 522 088 05 XN4	Cashmere beige	89-90		
	928 522 088 05 LG5	Champagne	-88		
	928 522 088 05 QC2	Greyish green	-88		
	928 522 088 05 UD3	Plum red	-88		
	928 522 088 05 UD4	Silver-grey	-88		
	928 522 088 05 UD5	Caramel	-90		
	928 522 088 05 UD6	Venetian blue	-90		
	928 522 088 05 XN5	Silk grey	89-90		
	928 522 088 05 XN6	Velvet red	89-90		
	928 522 088 05 XN7	Slate grey	89-90		
	928 522 088 05 ATH	Black	91-		
	928 522 088 05 APL	Classic grey	91-		
	928 522 088 05 ARL	Cobalt blue	91-93		
	928 522 088 05 ASL	Magenta	91-93		
	928 522 088 05 AQL	Light grey	91-93		
	928 522 088 05 ATY	Cashmere beige	91-		
	928 522 088 05 BQB	Marine blue	91-93		
	928 522 088 05 AVF	Matador red	91-93		
	928 522 088 05 AVG	Carrara grey	91-93		
	928 522 088 05 AVH	Sherwood green	91-93		
	928 522 088 05 DBD	Midnight blue	94-		
	928 522 088 05 DCD	Chestnut brown	94-		
	928 522 088 05 DDD	Marble grey	94-		
	928 522 088 05 DEC	Provence blue	94-		
	928 522 088 05 DEE	Cedar green	94-		
	928 522 088 05 DEF	Flamenco red	94-		
15	928 522 045 03	Seat cushion Upper Pin stripe velour	/L	1	
	928 522 045 03 7BN	Black-white	-90		

Model: STZ Model life 1985>>1998

Pos	Part Number	Description	Remark	Qty	Model
	928 522 045 03 6LN	Mahogany-white	-90		
	928 522 045 03 8GJ	Blue-white	-90		
	928 522 045 03 1MJ	Burgundy-white	-90		
	928 522 045 03 4WJ	Linen	89-90		
	928 522 045 03 4TN	Cashmere beige	89-90		
	928 522 045 03 3JV	Greyish green-white	-88		
(15)	928 522 046 03	Seat cushion	/R	1	
		Upper			
		Pin stripe velour			
	928 522 046 03 7BN	Black-white	-90		
	928 522 046 03 6LN	Mahogany-white	-90		
	928 522 046 03 8GJ	Blue-white	-90		
	928 522 046 03 1MJ	Burgundy-white	-90		
	928 522 046 03 4WJ	Linen	89-90		
	928 522 046 03 4TN	Cashmere beige	89-90		
	928 522 046 03 3JV	Greyish green-white	-88		
15	928 522 045 03	Seat cushion	/L	1	
		Upper			
		Multicolour	89-		
	928 522 045 03 2VV	Black			
	928 522 045 03 8XV	Mahogany	-90		
	928 522 045 03 9JV	Marine blue			
	928 522 045 03 1MV	Burgundy	-90		
	928 522 045 03 6UV	Linen	-90		
	928 522 045 03 5TC	Cashmere beige			
	928 522 045 03 9WT	Classic grey	91-93		
	928 522 045 03 9YD	Cobalt blue	91-93		
	928 522 045 03 1MV	Magenta	91-93		
	928 522 045 03 6UV	Light grey	91-93		
(15)	928 522 046 03	Seat cushion	/R	1	
		Upper			
		Multicolour	89-		
	928 522 046 03 2VV	Black			
	928 522 046 03 8XV	Mahogany	-90		
	928 522 046 03 9JV	Marine blue			
	928 522 046 03 1MV	Burgundy	-90		
	928 522 046 03 6UV	Linen	-90		
	928 522 046 03 5TC	Cashmere beige			
	928 522 046 03 9WT	Classic grey	91-93		
	928 522 046 03 9YD	Cobalt blue	91-93		
	928 522 046 03 1MV	Magenta	91-93		
	928 522 046 03 6UV	Light grey	91-93		
15	928 522 045 03	Seat cushion	/L	1	
		Upper			
		Porsche lettering cloth			
	928 522 045 03 2CZ	Black			
	928 522 045 03 4MR	Mahogany	-90		
	928 522 045 03 6HZ	Blue	-90		
	928 522 045 03 5LZ	Burgundy	-90		
	928 522 045 03 5WZ	Linen	89-90		
	928 522 045 03 7TH	Cashmere beige	89-		
	928 522 045 03 1JK	Greyish green	-88		
	928 522 045 03 6WC	Classic grey	91-		
	928 522 045 03 7ZK	Cobalt blue	91-93		
	928 522 045 03 9YC	Magenta	91-93		
	928 522 045 03 2ZV	Light grey	91-93		
	928 522 045 03 4GP	Midnight blue	94-		
	928 522 045 03 7SA	Chestnut brown	94-		
	928 522 045 03 9BE	Marble grey	94-		
(15)	928 522 046 03	Seat cushion	/R	1	
		Upper			
		Porsche lettering cloth			
	928 522 046 03 2CZ	Black			

Model: STZ Model life 1985>>1998

Pos	Part Number	Description	Remark	Qty	Model
	928 522 046 03 4MR	Mahogany	-90		
	928 522 046 03 6HZ	Blue	-90		
	928 522 046 03 5LZ	Burgundy	-90		
	928 522 046 03 5WZ	Linen	89-90		
	928 522 046 03 7TH	Cashmere beige	89-		
	928 522 046 03 1JK	Greyish green	-88		
	928 522 046 03 6WC	Classic grey	91-		
	928 522 046 03 7ZK	Cobalt blue	91-93		
	928 522 046 03 9YC	Magenta	91-93		
	928 522 046 03 2ZV	Light grey	91-93		
	928 522 046 03 4GP	Midnight blue	94-		
	928 522 046 03 7SA	Chestnut brown	94-		
	928 522 046 03 9BE	Marble grey	94-		
15	928 522 045 03	Seat cushion	/L	1	
		Upper			
		Pin stripe flannel	-88		
	928 522 045 03 8BF	Anthracite			
	928 522 045 03 9LF	Mahogany			
	928 522 045 03 6GF	Blue			
	928 522 045 03 1MF	Burgundy			
(15)	928 522 045 03 9JF	Greyish green			
	928 522 046 03	Seat cushion	/R	1	
		Upper			
		Pin stripe flannel	-88		
	928 522 046 03 8BF	Anthracite			
	928 522 046 03 9LF	Mahogany			
	928 522 046 03 6GF	Blue			
	928 522 046 03 1MF	Burgundy			
	928 522 046 03 9JF	Greyish green			
15	928 522 045 50	Seat cushion	/L	1	
		Upper			
		Whole-leather			
	928 522 045 50 KZ2	Black	-90		
	928 522 045 50 TV1	Mahogany	-90		
	928 522 045 50 TS1	Marine blue	-90		
	928 522 045 50 LG7	Burgundy	-90		
	928 522 045 50 TW1	Linen	-90		
	928 522 045 50 LG5	Champagne	-88		
	928 522 045 50 QC2	Greyish green	-88		
	928 522 045 50 XN4	Cashmere beige	89-90		
	928 522 045 50 UD3	Plum red	-88		
	928 522 045 50 UD4	Silver-grey	-88		
	928 522 045 50 UD5	Caramel	-90		
	928 522 045 50 UD6	Venetian blue	-90		
	928 522 045 50 XN5	Silk grey	89-90		
	928 522 045 50 XN6	Velvet red	89-90		
	928 522 045 50 XN7	Slate grey	89-90		
	928 522 045 50 ATH	Black	91-		
	928 522 045 50 APL	Classic grey	91-		
	928 522 045 50 ARL	Cobalt blue	91-93		
	928 522 045 50 ASL	Magenta	91-93		
	928 522 045 50 AQL	Light grey	91-93		
	928 522 045 50 ATY	Cashmere beige	91-		
	928 522 045 50 BQB	Marine blue	91-93		
	928 522 045 50 AVF	Matador red	91-93		
	928 522 045 50 AVG	Carrara grey	91-93		
	928 522 045 50 AVH	Sherwood green	91-93		
	928 522 045 50 DBD	Midnight blue	94-		
	928 522 045 50 DCD	Chestnut brown	94-		
	928 522 045 50 DDD	Marble grey	94-		
	928 522 045 50 DEC	Provence blue	94-		
	928 522 045 50 DEE	Cedar green	94-		
	928 522 045 50 DEF	Flamenco red	94-		

Model: STZ Model life 1985>>1998

Pos	Part Number	Description	Remark	Qty	Model
(15)	928 522 046 50	Seat cushion Upper Whole-leather	/R	1	
	928 522 046 50 KZ2	Black	-90		
	928 522 046 50 TV1	Mahogany	-90		
	928 522 046 50 TS1	Marine blue	-90		
	928 522 046 50 LG7	Burgundy	-90		
	928 522 046 50 TW1	Linen	-90		
	928 522 046 50 LG5	Champagne	-88		
	928 522 046 50 QC2	Greyish green	-88		
	928 522 046 50 XN4	Cashmere beige	89-90		
	928 522 046 50 UD3	Plum red	-88		
	928 522 046 50 UD4	Silver-grey	-88		
	928 522 046 50 UD5	Caramel	-90		
	928 522 046 50 UD6	Venetian blue	-90		
	928 522 046 50 XN5	Silk grey	89-90		
	928 522 046 50 XN6	Velvet red	89-90		
	928 522 046 50 XN7	Slate grey	89-90		
	928 522 046 50 ATH	Black	91-		
	928 522 046 50 APL	Classic grey	91-		
	928 522 046 50 ARL	Cobalt blue	91-93		
	928 522 046 50 ASL	Magenta	91-93		
	928 522 046 50 AQL	Light grey	91-93		
	928 522 046 50 ATY	Cashmere beige	91-		
	928 522 046 50 BQB	Marine blue	91-93		
	928 522 046 50 AVF	Matador red	91-93		
	928 522 046 50 AVG	Carrara grey	91-93		
	928 522 046 50 AVH	Sherwood green	91-93		
	928 522 046 50 DBD	Midnight blue	94-		
	928 522 046 50 DCD	Chestnut brown	94-		
	928 522 046 50 DDD	Marble grey	94-		
	928 522 046 50 DEC	Provence blue	94-		
	928 522 046 50 DEE	Cedar green	94-		
	928 522 046 50 DEF	Flamenco red	94-		
15	928 522 045 05	Seat cushion Upper Draped leather	/L	1	
	928 522 045 05 KZ2	Black	-90		
	928 522 045 05 TV1	Mahogany	-90		
	928 522 045 05 TS1	Marine blue	-90		
	928 522 045 05 LG7	Burgundy	-90		
	928 522 045 05 TW1	Linen	-90		
	928 522 045 05 LG5	Champagne	-88		
	928 522 045 05 QC2	Greyish green	-88		
	928 522 045 05 XN4	Cashmere beige	89-90		
	928 522 045 05 UD3	Plum red	-88		
	928 522 045 05 UD4	Silver-grey	-88		
	928 522 045 05 UD5	Caramel	-90		
	928 522 045 05 UD6	Venetian blue	-90		
	928 522 045 05 XN5	Silk grey	89-90		
	928 522 045 05 XN6	Velvet red	89-90		
	928 522 045 05 XN7	Slate grey	89-90		
	928 522 045 05 ATH	Black	91-		
	928 522 045 05 APL	Classic grey	91-		
	928 522 045 05 ARL	Cobalt blue	91-93		
	928 522 045 05 ASL	Magenta	91-93		
	928 522 045 05 AQL	Light grey	91-93		
	928 522 045 05 ATY	Cashmere beige	91-		
	928 522 045 05 BQB	Marine blue	91-93		
	928 522 045 05 AVF	Matador red	91-93		
	928 522 045 05 AVG	Carrara grey	91-93		
	928 522 045 05 AVH	Sherwood green	91-93		
	928 522 045 05 DBD	Midnight blue	94-		

Model: STZ Model life 1985>>1998

Pos	Part Number	Description	Remark	Qty	Model		
(15)	928 522 045 05 DCD	Chestnut brown	94-	1			
	928 522 045 05 DDD	Marble grey	94-				
	928 522 045 05 DEC	Provence blue	94-				
	928 522 045 05 DEE	Cedar green	94-				
	928 522 045 05 DEF	Flamenco red	94-				
	928 522 046 05	Seat cushion	/R				
		Upper					
		Draped leather					
	928 522 046 05 KZ2	Black	-90				
	928 522 046 05 TV1	Mahogany	-90				
	928 522 046 05 TS1	Linen	-90				
	928 522 046 05 LG7	Burgundy	-90				
	928 522 046 05 TW1	Linen	-90				
	928 522 046 05 LG5	Champagne	-88				
	928 522 046 05 QC2	Greyish green	-88				
	928 522 046 05 XN4	Cashmere beige	89-90				
	928 522 046 05 UD3	Plum red	-88				
	928 522 046 05 UD4	Silver-grey	-88				
	928 522 046 05 UD5	Caramel	-90				
	928 522 046 05 UD6	Venetian blue	-90				
	928 522 046 05 XN5	Silk grey	89-90				
	928 522 046 05 XN6	Velvet red	89-90				
	928 522 046 05 XN7	Slate grey	89-90				
	928 522 046 05 ATH	Black	91-				
	928 522 046 05 APL	Classic grey	91-				
	928 522 046 05 ARL	Cobalt blue	91-93				
	928 522 046 05 ASL	Magenta	91-93				
	928 522 046 05 AQL	Light grey	91-93				
	928 522 046 05 ATY	Cashmere beige	91-				
	928 522 046 05 BQB	Marine blue	91-93				
	928 522 046 05 AVF	Matador red	91-93				
	928 522 046 05 AVG	Carrara grey	91-93				
	928 522 046 05 AVH	Sherwood green	91-93				
928 522 046 05 DBD	Midnight blue	94-					
928 522 046 05 DCD	Chestnut brown	94-					
928 522 046 05 DDD	Marble grey	94-					
928 522 046 05 DEC	Provence blue	94-					
928 522 046 05 DEE	Cedar green	94-					
928 522 046 05 DEF	Flamenco red	94-					
16	928 522 041 04	Seat well	/L	1			
		Lap belt					
		Leatherette					
	928 522 041 04 05T	Black					
	928 522 041 04 1MX	Mahogany	-90				
	928 522 041 04 1KX	Marine blue					
	928 522 041 04 3MX	Burgundy	-90				
	928 522 041 04 4WX	Linen	-90				
	928 522 041 04 7RT	Cashmere beige	89-				
	928 522 041 04 4JX	Greyish green	-88				
	928 522 041 04 2WJ	Classic grey	91				
	928 522 041 04 9ZH	Cobalt blue	91				
	928 522 041 04 4WY	Magenta	91				
	928 522 041 04 1ZU	Light grey	91				
(16)	928 522 042 04	Seat well	/R			1	
		Lap belt					
		Leatherette					
	928 522 042 04 05T	Black					
	928 522 042 04 1MX	Mahogany	-90				
	928 522 042 04 1KX	Marine blue					
	928 522 042 04 3MX	Burgundy	-90				
	928 522 042 04 4WX	Linen	-90				
	928 522 042 04 7RT	Cashmere beige	89-				
	928 522 042 04 4JX	Greyish green	-88				

Model: STZ Model life 1985>>1998

Pos	Part Number	Description	Remark	Qty	Model			
16	928 522 042 04 2WJ	Classic grey	91	1				
	928 522 042 04 9ZH	Cobalt blue	91					
	928 522 042 04 4WY	Magenta	91					
	928 522 042 04 1ZU	Light grey	91					
	928 522 041 05	Seat well	/L					
		Three-point seat belt						
		Leatherette						
	928 522 041 05 05T	Black	91-					
	928 522 041 05 2WJ	Classic grey	91-					
	928 522 041 05 9ZH	Cobalt blue	91-93					
	928 522 041 05 4WY	Magenta	91-93					
	928 522 041 05 1ZU	Light grey	91-93					
	928 522 041 05 7RT	Cashmere beige	91-					
	928 522 041 05 1KX	Marine blue	91-93					
	928 522 041 05 6HP	Midnight blue	94-					
	928 522 041 05 7PD	Chestnut brown	94-					
(16)	928 522 041 05 8CF	Marble grey	94-	1				
	928 522 042 05	Seat well	/R					
		Three-point seat belt						
		Leatherette						
	928 522 042 05 05T	Black	91-					
	928 522 042 05 2WJ	Classic grey	91-					
	928 522 042 05 9ZH	Cobalt blue	91-93					
	928 522 042 05 4WY	Magenta	91-93					
	928 522 042 05 1ZU	Light grey	91-93					
	928 522 042 05 7RT	Cashmere beige	91-					
	928 522 042 05 1KX	Marine blue	91-93					
	928 522 042 05 6HP	Midnight blue	94-					
	928 522 042 05 7PD	Chestnut brown	94-					
	928 522 042 05 8CF	Marble grey	94-					
	16	928 522 041 52	Seat well			/L -90	1	
			Lap belt					
		Whole-leather						
928 522 041 52 KZ2		Black						
928 522 041 52 TV1		Mahogany						
928 522 041 52 TS1		Marine blue						
928 522 041 52 LG7		Burgundy						
928 522 041 52 TW1		Linen						
928 522 041 52 XN4		Cashmere beige	89-					
928 522 041 52 LG5		Champagne	-88					
928 522 041 52 QC2		Greyish green	-88					
928 522 041 52 UD3		Plum red	-88					
928 522 041 52 UD4		Silver-grey	-88					
928 522 041 52 UD5		Caramel	-90					
928 522 041 52 UD6		Venetian blue	-90					
(16)		928 522 041 52 XN5	Silk grey	89-	1			
	928 522 041 52 XN6	Velvet red	89-					
	928 522 041 52 XN7	Slate grey	89-					
	928 522 042 52	Seat well	/R -90					
		Lap belt						
		Whole-leather						
	928 522 042 52 KZ2	Black						
	928 522 042 52 TV1	Mahogany						
	928 522 042 52 TS1	Marine blue						
	928 522 042 52 LG7	Burgundy						
	928 522 042 52 TW1	Linen						
	928 522 042 52 XN4	Cashmere beige	89-					
	928 522 042 52 LG5	Champagne	-88					
	928 522 042 52 QC2	Greyish green	-88					
	928 522 042 52 UD3	Plum red	-88					
	928 522 042 52 UD4	Silver-grey	-88					
928 522 042 52 UD5	Caramel	-90						
928 522 042 52 UD6	Venetian blue	-90						

Model: STZ Model life 1985>>1998

Pos	Part Number	Description	Remark	Qty	Model
16	928 522 042 52 XN5	Silk grey	89-	1	
	928 522 042 52 XN6	Velvet red	89-		
	928 522 042 52 XN7	Slate grey	89-		
	928 522 041 54	Cover	/L		
		Lap belt			
		Whole-leather			
	928 522 041 54 ATH	Black			
	928 522 041 54 APL	Classic grey			
	928 522 041 54 ARL	Cobalt blue			
	928 522 041 54 ASL	Magenta			
	928 522 041 54 AQL	Light grey			
	928 522 041 54 ATY	Cashmere beige			
	928 522 041 54 BQB	Marine blue			
	928 522 041 54 M05	Matador red			
(16)	928 522 041 54 D35	Carrara grey			
	928 522 041 54 J25	Sherwood green			
	928 522 042 54	Cover	/R		
		Lap belt			
		Whole-leather			
	928 522 042 54 ATH	Black			
	928 522 042 54 APL	Classic grey			
	928 522 042 54 ARL	Cobalt blue			
	928 522 042 54 ASL	Magenta			
	928 522 042 54 AQL	Light grey			
	928 522 042 54 ATY	Cashmere beige			
	928 522 042 54 BQB	Marine blue			
	928 522 042 54 M05	Matador red			
	928 522 042 54 D35	Carrara grey			
16	928 522 042 54 J25	Sherwood green			
	928 522 041 55	Cover	/L		
		Three-point seat belt			
		Whole-leather			
	928 522 041 55 ATH	Black	91-		
	928 522 041 55 APL	Classic grey	91-		
	928 522 041 55 ARL	Cobalt blue	91-93		
	928 522 041 55 ASL	Magenta	91-93		
	928 522 041 55 AQL	Light grey	91-93		
	928 522 041 55 ATY	Cashmere beige	91-		
	928 522 041 55 BQB	Marine blue	91-93		
	928 522 041 55 M05	Matador red	91-93		
	928 522 041 55 D35	Carrara grey	91-93		
	928 522 041 55 J25	Sherwood green	91-93		
(16)	928 522 041 55 DBD	Midnight blue	94-		
	928 522 041 55 DCD	Chestnut brown	94-		
	928 522 041 55 DDD	Marble grey	94-		
	928 522 041 55 G43	Provence blue	94-		
	928 522 041 55 K03	Cedar green	94-		
	928 522 041 55 8SE	Flamenco red	94-		
	928 522 042 55	Cover	/R		
		Three-point seat belt			
		Whole-leather			
	928 522 042 55 ATH	Black	91-		
	928 522 042 55 APL	Classic grey	91-		
	928 522 042 55 ARL	Cobalt blue	91-93		
	928 522 042 55 ASL	Magenta	91-93		
	928 522 042 55 AQL	Light grey	91-93		
928 522 042 55 ATY	Cashmere beige	91-			
928 522 042 55 BQB	Marine blue	91-93			
928 522 042 55 M05	Matador red	91-93			
928 522 042 55 D35	Carrara grey	91-93			
928 522 042 55 J25	Sherwood green	91-93			
928 522 042 55 DBD	Midnight blue	94-			
928 522 042 55 DCD	Chestnut brown	94-			



Model: STZ Model life 1985>>1998

Pos	Part Number	Description	Remark	Qty	Model
17	928 522 042 55 DDD	Marble grey	94-	2	
	928 522 042 55 G43	Provence blue	94-		
	928 522 042 55 K03	Cedar green	94-		
	928 522 042 55 8SE	Flamenco red	94-		
	928 522 321 02	Bag for Lap belt			
18	928 522 321 02 70B	Black		2	
	928 522 415 03	Rosette			
19	928 522 415 03 70B	Satin black		8	
	900 119 057 02	Pan-head screw M 8 X 20			
20	928 522 031 00	Cover Whole-leather	/L	1	
	928 522 031 00 1AJ	Black	-90		
	928 522 031 00 2LX	Mahogany	-90		
	928 522 031 00 7JX	Marine blue	-90		
	928 522 031 00 7LD	Burgundy	-90		
	928 522 031 00 5JX	Greyish green	-88		
	928 522 031 00 7VX	Linen	-90		
	928 522 031 00 1MC	Plum red	-88		
	928 522 031 00 3VC	Silver-grey	-88		
	928 522 031 00 1VD	Champagne	-88		
	928 522 031 00 4UC	Caramel	-88		
	928 522 031 00 7KC	Venetian blue	-88		
	928 522 031 00 80S	Can-can-red	-87		
	928 522 031 00 8YD	Pearl white	-87		
	928 522 031 00 6JD	Dark green	-87		
	928 522 031 00 2WH	Cashmere beige	89-90		
	928 522 031 00 8YR	Black	91-		
	928 522 031 00 6XL	Classic grey	91-		
	928 522 031 00 9YL	Cobalt blue	91-93		
	928 522 031 00 6YL	Magenta	91-93		
	928 522 031 00 8ZL	Light grey	91-93		
	928 522 031 00 4YU	Cashmere beige	91-		
	928 522 031 00 H05	Marine blue	91-93		
	928 522 031 00 M05	Matador red	91-93		
	928 522 031 00 D35	Carrara grey	91-93		
	928 522 031 00 J25	Sherwood green	91-93		
	928 522 031 00 H24	Midnight blue	94-		
	928 522 031 00 T15	Chestnut brown	94-		
	928 522 031 00 3QN	Marble grey	94-		
	928 522 031 00 G43	Provence blue	94-		
	928 522 031 00 K03	Cedar green	94-		
(20)	928 522 031 00 8SE	Flamenco red	94-	1	
	928 522 032 00	Cover Whole-leather	/R		
	928 522 032 00 1AJ	Black	-90		
	928 522 032 00 2LX	Mahogany	-90		
	928 522 032 00 7JX	Marine blue	-90		
	928 522 032 00 7LD	Burgundy	-90		
	928 522 032 00 5JX	Greyish green	-88		
	928 522 032 00 7VX	Linen	-90		
	928 522 032 00 1MC	Plum red	-88		
	928 522 032 00 3VC	Silver-grey	-88		
	928 522 032 00 1VD	Champagne	-88		
	928 522 032 00 4UC	Caramel	-88		
	928 522 032 00 7KC	Venetian blue	-88		
	928 522 032 00 80S	Can-can-red	-87		
	928 522 032 00 8YD	Pearl white	-87		
	928 522 032 00 6JD	Dark green	-87		
	928 522 032 00 2WH	Cashmere beige	89-90		
	928 522 032 00 8YR	Black	91-		

Model: STZ Model life 1985>>1998

Pos	Part Number	Description	Remark	Qty	Model
	928 522 032 00 6XL	Classic grey	91-		
	928 522 032 00 9YL	Cobalt blue	91-93		
	928 522 032 00 6YL	Magenta	91-93		
	928 522 032 00 8ZL	Light grey	91-93		
	928 522 032 00 4YU	Cashmere beige	91-		
	928 522 032 00 H05	Marine blue	91-93		
	928 522 032 00 M05	Matador red	91-93		
	928 522 032 00 D35	Carrara grey	91-93		
	928 522 032 00 J25	Sherwood green	91-93		
	928 522 032 00 H24	Midnight blue	94-		
	928 522 032 00 T15	Chestnut brown	94-		
	928 522 032 00 3QN	Marble grey	94-		
	928 522 032 00 G43	Provence blue	94-		
	928 522 032 00 K03	Cedar green	94-		
	928 522 032 00 8SE	Flamenco red	94-		
21	N 013 958 7	Oval-head sheetmetal screw		4	
22	999 591 102 17	Washer		4	
22	999 591 102 1H	Washer		4	
23	900 145 072 07	Tapping screw		4	