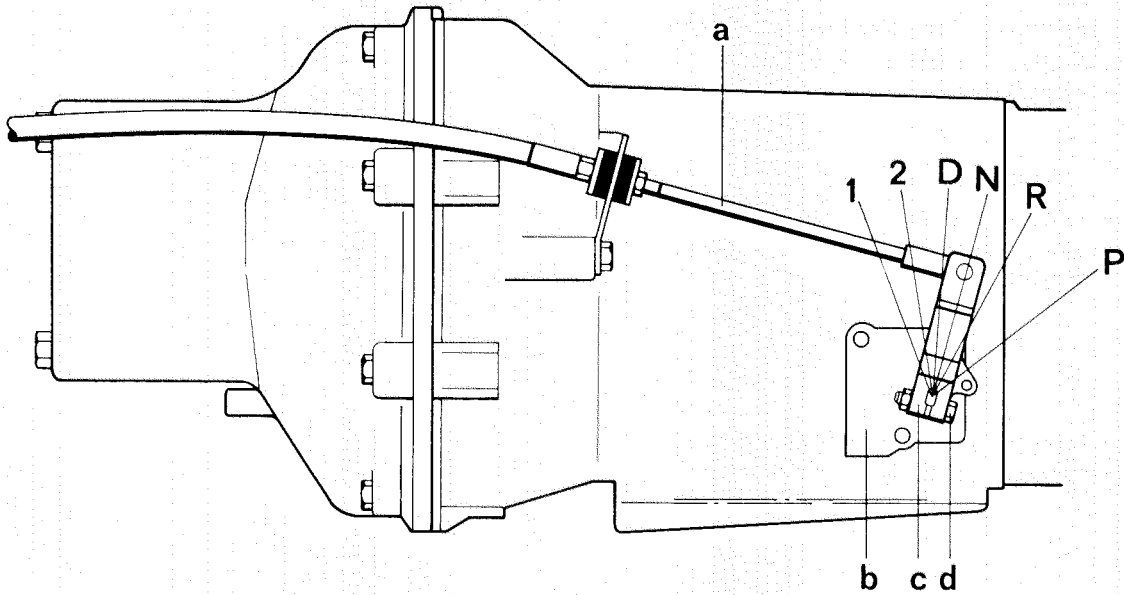


ADJUSTING SELECTOR CABLE



1. Place selector lever in N.
2. Detach cable from operating lever (on trans.).
3. Place selector operating lever (on trans.) in N position.
4. Adjust cable so that ball socket attaches to operating lever without tension.

