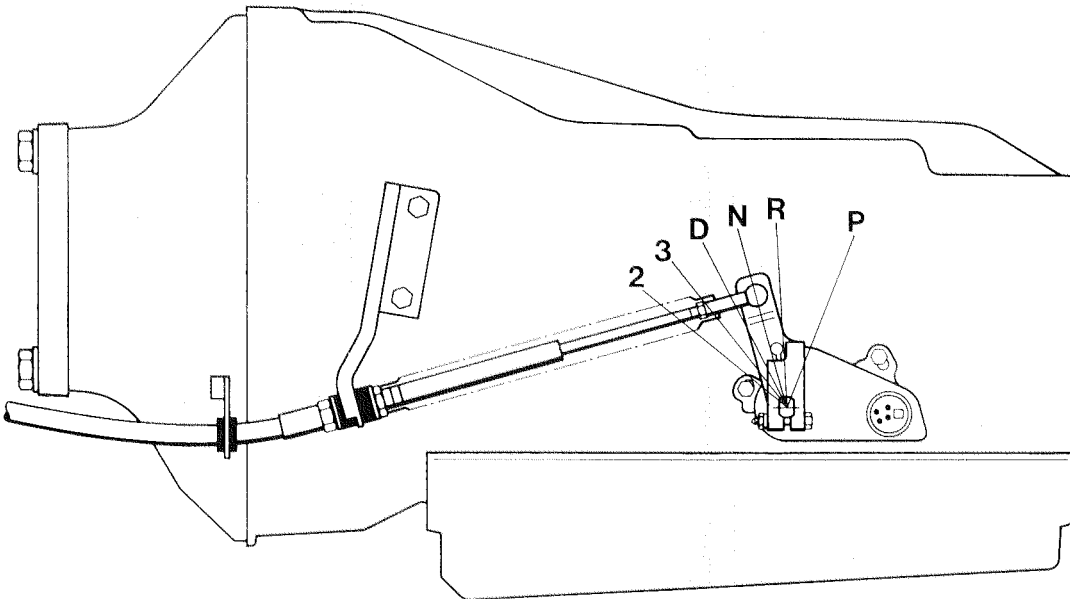


## ADJUSTING SELECTOR LEVER CABLE



1. Move selector lever to position "N".
2. Place range selector lever on transmission in "N".
3. Adjust ball end on cable that attachment is possible without tension.

Note:

Bolt for range selector lever must be tightened for adjustments.

