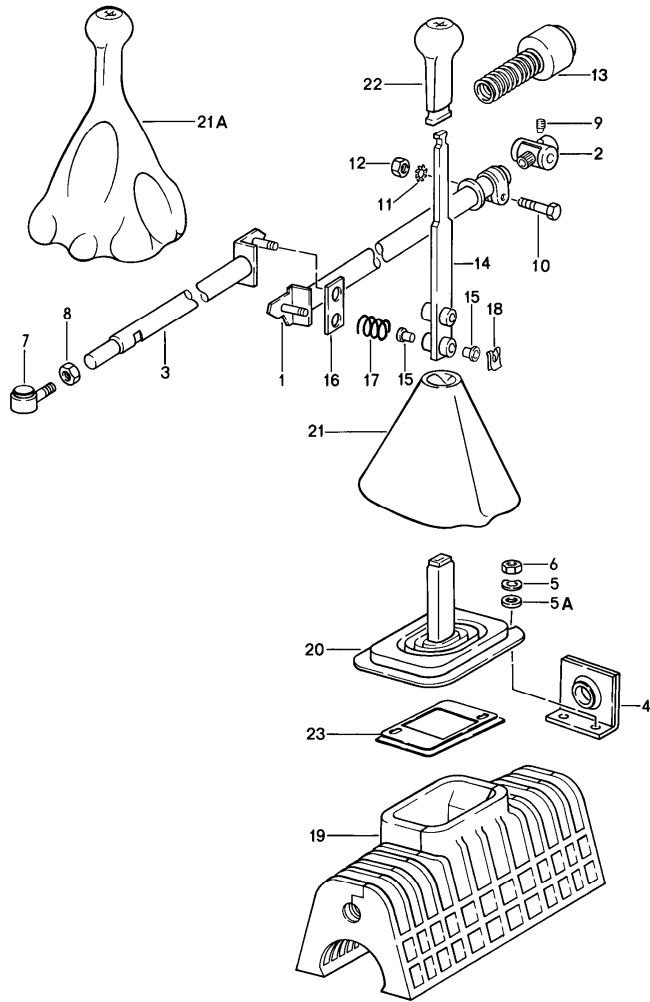


Model	Year	MG	SG	Illustration	Restrictions	UPD	18:41	23.01.2010	PORSCHE	PET	PORSCHE
928	1986	7	01	701-00		248					

Pos	Part Number	Description	Remark	Qty	Model
		shift mechanism manual transmission			
1	928 424 028 18	gear shift rod		-84	1
(1)	928 424 028 19	gear shift rod		85-	1
2	928 424 029 00	bearing body			1
3	928 424 009 08	guide tube		-84	1
(3)	928 424 009 10	guide tube		85-	1
4	928 424 017 05	bearing bracket			1
5A	999 523 104 02	lock washer 6 PN		85-	2
5	N 011 524 7	washer B 6,4		-84	2
6	900 076 010 02	hexagon nut M 6			2
7	928 424 005 01	angular joint			1
8	900 034 003 02	hexagon nut M 10			1
9	928 424 229 00	conical screw			1
10	N 040 222 2	hexagon-head bolt M 8 X 32			1
11	999 523 102 02	lock washer			1
12	900 076 025 02	hexagon nut M 8			1
13	928 424 209 00	bellows		-84	1
(13)	928 424 209 01	bellows		85-	1
14	928 424 067 08	gearshift lever	/LL	-84	1
(14)	928 424 067 11	gearshift lever	/LL	85-	1
(14)	927 424 067 00	gearshift lever	/RL		1
15	999 924 002 40	plain bearing			4
16	928 424 149 01	friction strap		-84	1
(16)	928 424 149 02	friction strap		85-	1
17	928 424 147 03	compression spring			2



Model	Year	MG	SG	Illustration	Restrictions	UPD	18:41	23.01.2010	PORSCHE	PET	PORSCHE
928	1986	7	01	701-00		248					

Pos	Part Number	Description	Remark	Qty	Model	Pos	Part Number	Description	Remark	Qty	Model
18	999 166 034 02	sl-lock B 8	-84	2							
(18)	900 234 510 02	support washer S 10 X 16	85-	2							
19	928 424 182 03	sound absorber		1							
20	928 424 181 03	sleeve	-84	1							
(20)	928 424 181 04	sleeve	85-	1							
-	477 711 257	rubber ring		1							
21A	928 424 073 01	gearshift knob with leather bellows	-84	1							
	1AJ	black									
	4RB	brown									
	7LD	burgundy									
	30B	blue									
(21A)	928 424 073 03	head shift rod with leather bellows	85-	1							
	1AJ	black									
	4RB	brown									
	7LD	burgundy									
	30B	blue									
	6JD	dark green									
	5JX	greyish green									
23	928 552 017 00	frame		1							