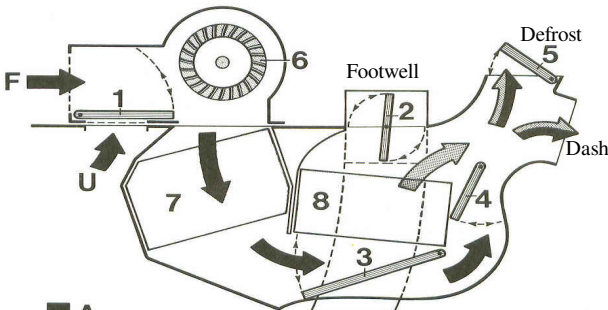
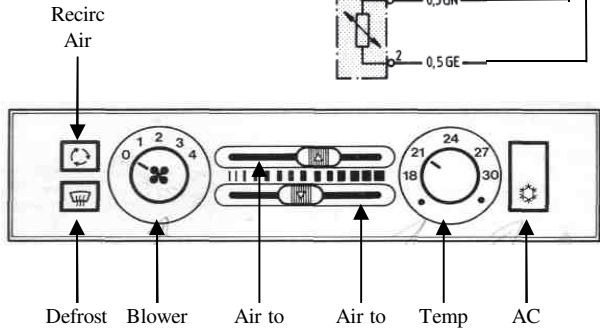
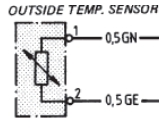
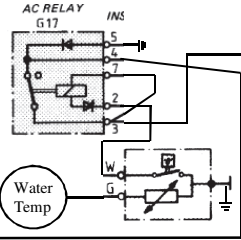
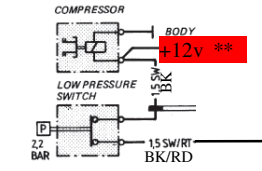
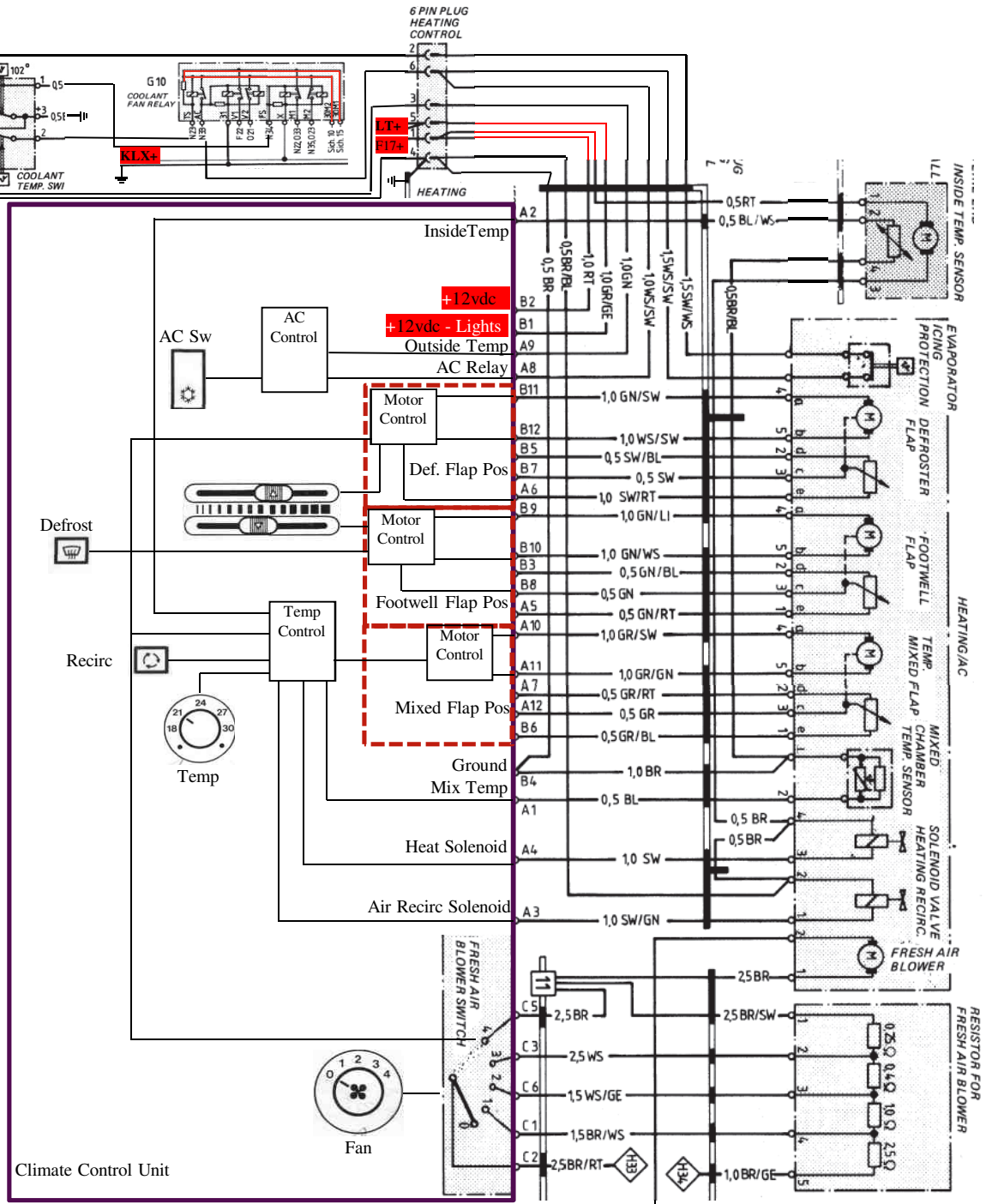
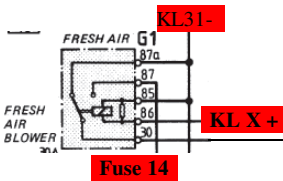
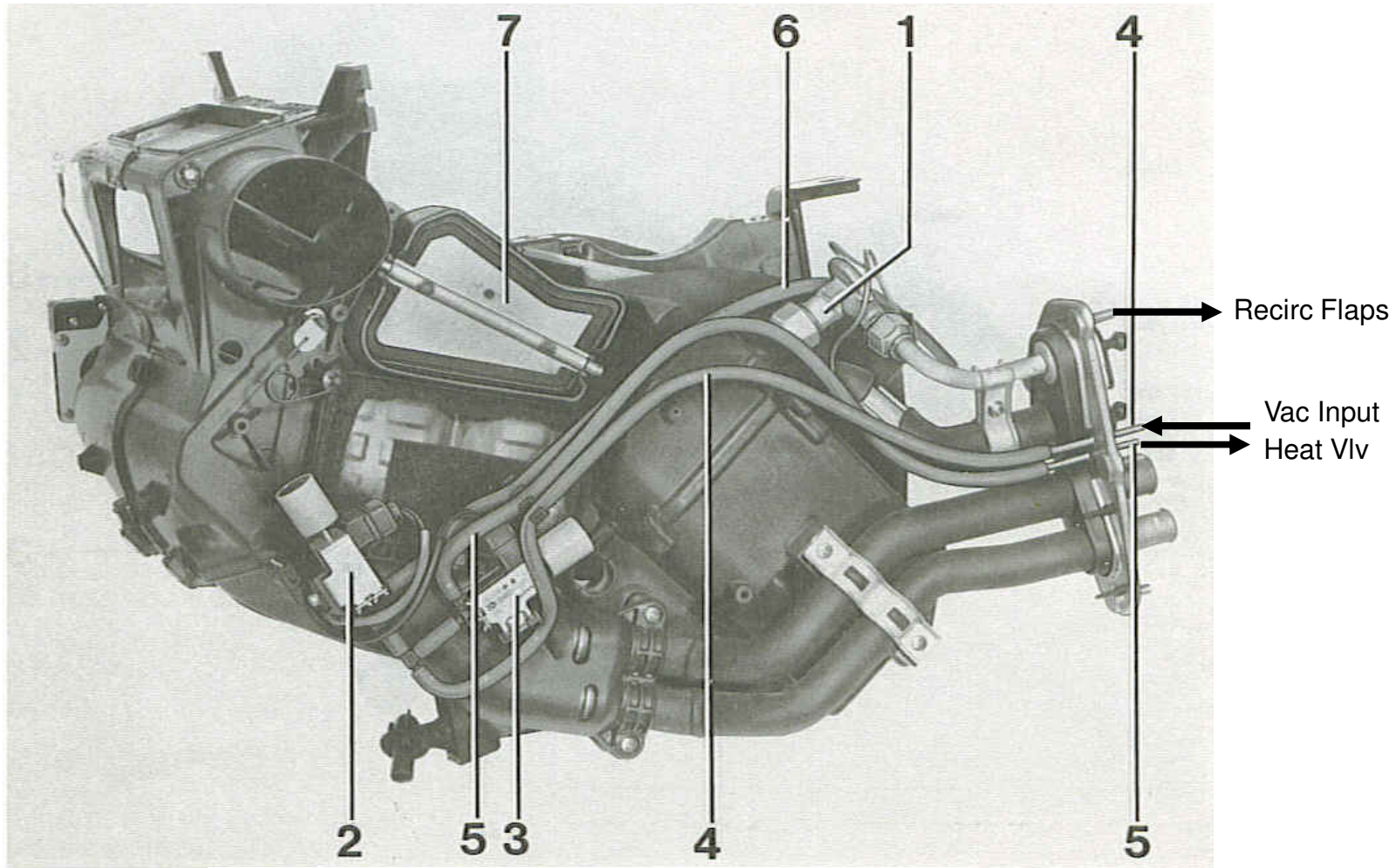


**** DME or ICING controls
Compressor magnet**



- A** - Cold air
- B** - Warm air
- F** - Fresh air
- U** - Circulating air
- 1 - Fresh/circulating air flap
- 2 - Footwell flap
- 3 - Temperature-mixing flap
- 4 - Baffle flap
- 5 - Defrost flap
- 6 - Blower
- 7 - Vaporizer
- 8 - Heat exchanger





- 1 Expansion valve
- 2 Solenoid valve for fresh/circulation air flaps
- 3 Solenoid valve for heating valve
- 4 Vacuum supply line
- 5 Vacuum line for heating valve
- 6 Vacuum line for fresh circulation air flaps
- 7 Right footwell flap