

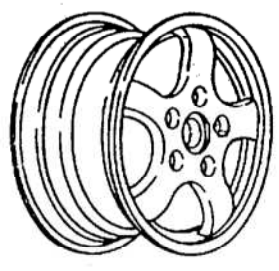
Technical Bulletin	Model 4 Cylinder	Group 4
Subject: 17 Inch Approved Wheels & Tires	Part Identifier 4412	Number 9303

ATTENTION: Service Manager / Service Technician

This bulletin replaces Technical Bulletin Group 4, Number 9303, dated 9-14-93.

Models Affected:

- 944 from 1987 with M30 option*
- 944S from 1987 with M30 option*
- 944 T from 1987 with M30 option*
- 944 Turbo S 1988*
- 944 Turbo 1989*
- 944 S2 from 1989*



Concern: Installing 17" Porsche wheels on vehicles previously equipped with 16" wheels.

Installation Information:

- A. Front and rear fender well lips must be reworked and/or checked for adequate tire clearance.
- B. Suspension travel must also be checked. Parts such as brake lines, hoses and brackets must have adequate clearance.
- C. New caster eccentrics, rear mounts and nuts must be installed in the front control arms. This change is necessary due to a change in caster specification on vehicles equipped with Porsche 17" wheels. The specification for vehicles equipped with 17" wheels is 3° 15'-45. See Figure A, page 3 of this bulletin.
- D. Vehicles must have a rear stabilizer bar.
- E. When adjusting vehicles to new caster specification, all alignment values should be checked at that time.
- F. When summer tires are used on vehicles with 17" Porsche wheels, snow chains cannot be used. If winter tires are used, only snow chains with Porsche Part Number 911 361 924 00 may be used.
- G. Tire pressures for front and rear 17" Porsche wheels is to be set at 2.5 bar (36 PSI) at approximately 20°C (68°F).
- H. When using this rim and tire combination, a 17mm spacer plate must be installed on the rear wheel hub. The customer must be informed that if the emergency wheel is needed, the spacer must be removed.
- I. Not for cabriolet vehicles.



Technical Bulletin

Model
4 Cylinder

Group
4

Subject:
17 Inch Approved Wheels & Tires

Part Identifier
4412

Number
9303

Parts Information:

Approved wheels and tire sizes.

Tire Size	Rim Size	Offset Position	Note
225/45 ZR 17	7½ J x 17 AH	65mm Front	Summer tires (See installation information A through G.)
255/40 ZR 17	9 J x 17 AH	55mm Rear	
225/45 ZR 17	8 J x 17 AH	52mm Front	Summer tires (See installation information A through I.)
*255/40 ZR 17	9½ J x 17 AH	68mm Rear	
205/50 R 17	7½ J x 17 AH	65mm Front	Winter tires (See installation information A through G.)
225/45 R 17	8 J x 17 AH	52mm Rear	

*When using this rim and tire combination, a 17mm spacer plate must be installed on the rear wheel hub. The customer must be informed that if the emergency wheel is needed, the spacer must be removed.

Parts needed for this installation are as follows:

Description	Part Number	Quantity
Spacer Ring	951 331 611 02	2
Wheel Bolt	904 341 671 00	10
Wheel Nut	999 182 003 36	10

Approved wheel part numbers:

Size	Offset	Part Number
7½ J x 17 AH	65mm	965 362 124 05
8 J x 17 AH	52mm	965 362 126 01
9 J x 17 AH	55mm	965 362 128 00
9½ J x 17AH	68mm	965 362 128 05



Technical Bulletin

Model
4 Cylinder

Group
4

Subject:
17 Inch Approved Wheels & Tires

Part Identifier
4412

Number
9303

Parts Information (cont.):

Approved tires and sizes (summer versions):

Size	Makes
225/45 ZR 17 Front	Bridgestone Expedia S-01 N1
255/40 ZR 17 Rear	Continental Sport Contact CZ 91 N0
	Pirelli P700-Z N0
	Yokohama A 008P N0
	Michelin MXX 3 N0 or MXX N0 Pilot SX

Approved tires and sizes (winter versions):

Size	Makes
205/50 R 17 89 H M&S Front	Bridgestone WT05
225/45 R 17 90 H M&S Rear	Continental TS 750
	Pirelli Winter 210 Performance

Suspension Parts	Part Number	Quantity Required
1. Rear Mount	951 341 023 00	2 each
2. Eccentric	951 341 431 02	2 each
3. Nut (torque to 100 Nm)	900 910 115 02	4 each

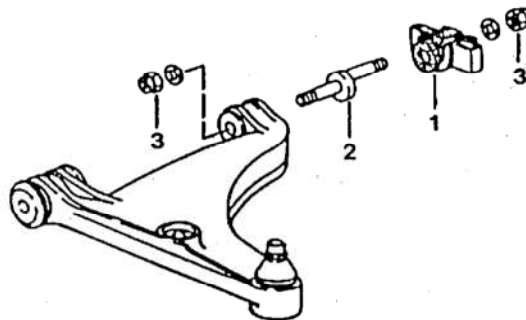


Figure A

