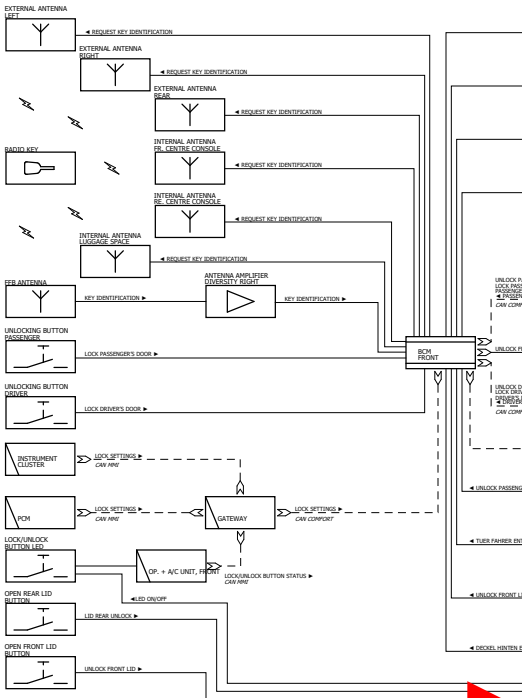
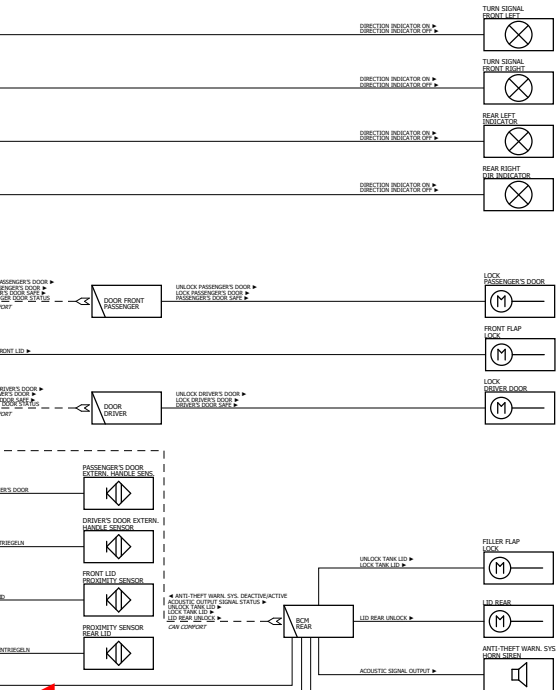


## LOCK AND UNLOCK WITH KEYLESS ENTRY



1



1